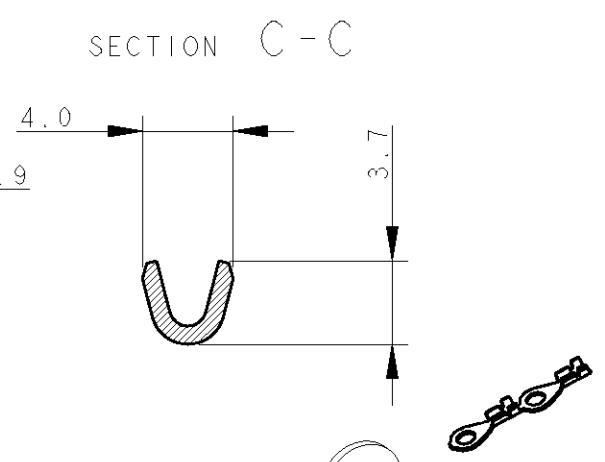
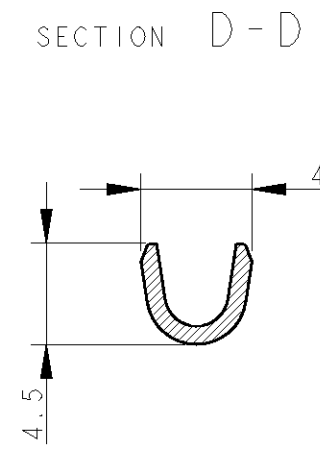
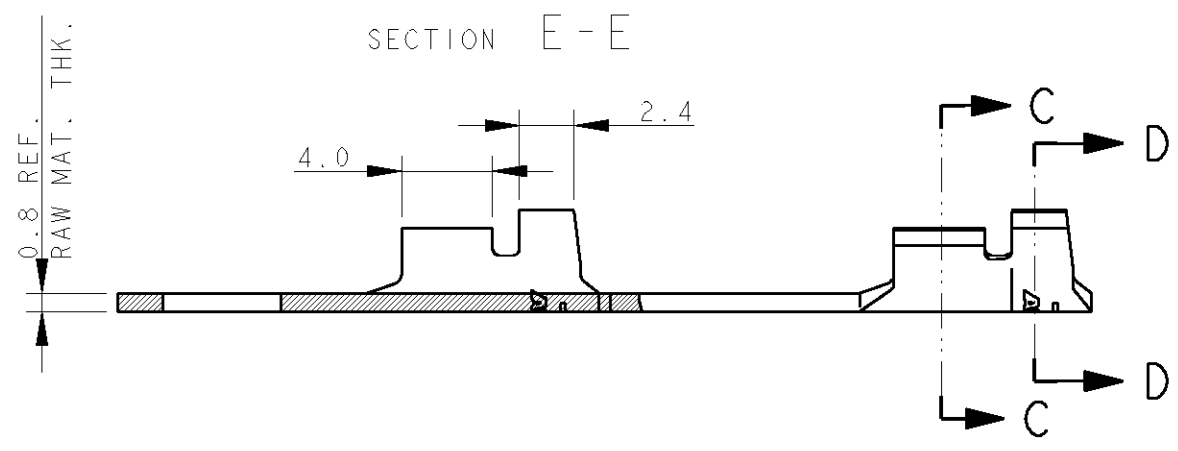
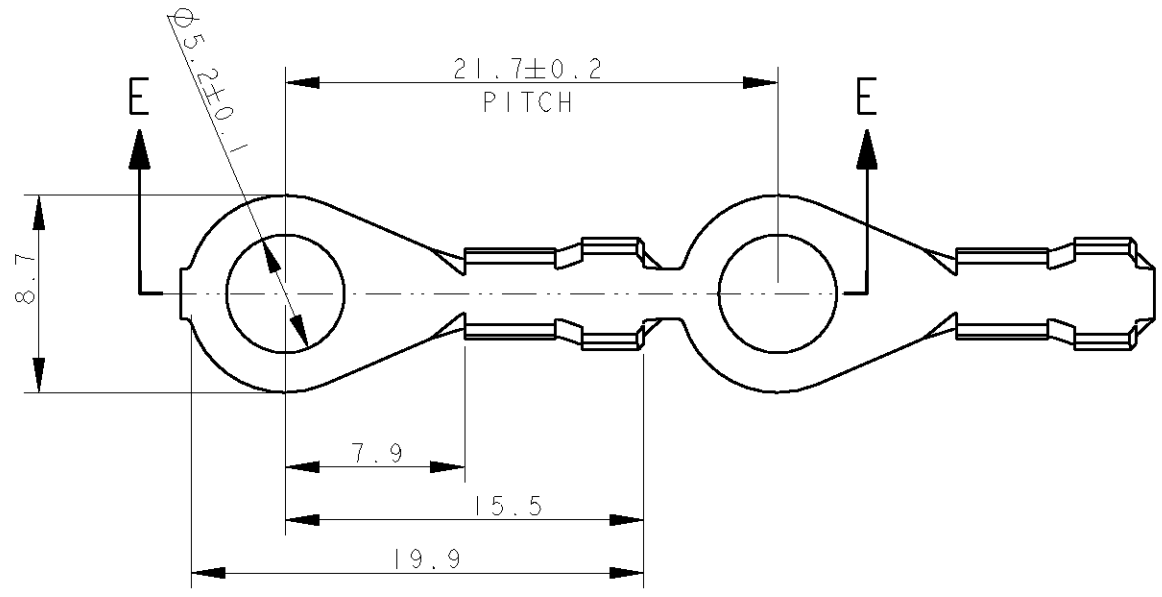
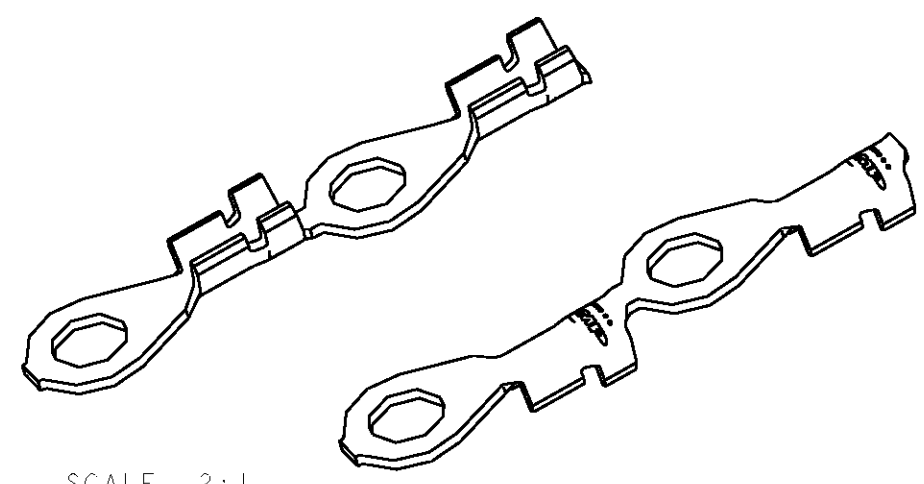


THIS DRAWING IS UNPUBLISHED. RELEASED FOR PUBLICATION 2003
 © COPYRIGHT 2003 BY TYCO ELECTRONICS CORPORATION. ALL RIGHTS RESERVED.

LOC	DIST	REVISIONS					
		P	LTR	DESCRIPTION	DATE	DWN	APVD
1	-		H	REDRAWN	12DEC2007	HY	GT
			HI	UPDATED	20DEC2007	HY	GT



- 1) DIRECTION OFF TOP OF REEL
- 2) REELED ON 12" DIA CARTON REEL Q.TY 5000 PC.s
Q.TY / BOX 15000 PC.s
- 3) WIRE RANGE 20-16 AWG
INSULATION RANGE 2.5-3.5 MM DIA.



SCALE 2:1

	PLAIN	BRASS	0-140525-0	H
NOTE	FINISH	MATERIAL	TE P/N	REV

<small>THIS DRAWING IS A CONTROLLED DOCUMENT FOR TYCO ELECTRONICS CORPORATION IT IS SUBJECT TO CHANGE AND THE CONTROLLING ENGINEERING ORGANIZATION SHOULD BE CONTACTED FOR THE LATEST REVISION.</small>		DWN H. YAALI	12DEC2007	Tyco Electronics tyco Electronics AMP Italia S.p.A. C.so F.lli Cervi, 15 COLLEGNO (TO)
DIMENSIONS: mm		CHK H. YAALI	-	
		APVD G. TURCO	-	NAME
TOLERANCES UNLESS OTHERWISE SPECIFIED: 0 PLC ±- 1 PLC ±0.4 2 PLC ±- 3 PLC ±- 4 PLC ±- ANGLES ±1		PRODUCT SPEC	-	RING TONGUE
MATERIAL SEE TABLE		APPLICATION SPEC	-	SIZE
FINISH SEE TABLE		WEIGHT	-	CAGE CODE
		CUSTOMER DRAWING		DRAWING NO
		SCALE 3:1		RESTRICTED TO
		SHEET 1 OF 1		REV HI