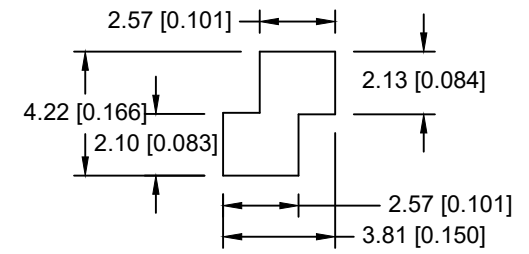
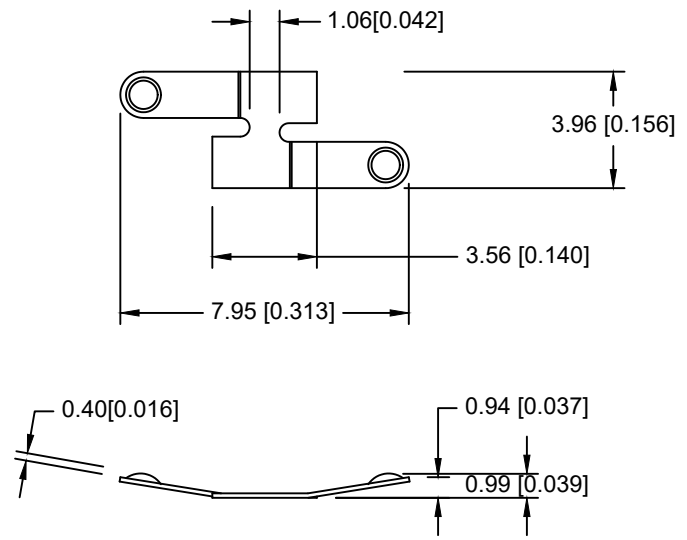



Date	SYM	REVISION RECORD	AUTH	DR.	CK.
03/15/23	A	REDRAWN	DL	BS	
03/31/23	B	Updated Packaging Quantity	DL	BS	



RECOMMENDED PAD SIZE

NOTES:

MATERIAL:
 0.006" STAINLESS STEEL, NICKEL PLATED 120u,
 GOLD PLATED 1u~3u
 PACKAGING: 1,000/BAG, 20,000/CARTON
 ROHS COMPLIANT

Tolerance (Except as noted)	 Memory Protection Devices, Inc 200 Broad Hollow Road, Farmingdale, New York 11735		
decimal ±.5 (.020)		Scale	Drawn By B.S.
Fractional ± .8 (.030)	Title NEGATIVE BATTERY CONTACT FOR 12 TO 16mm DIA.		
Angular ± 3°	Date 03/31/2023	Drawing Number BK-118	