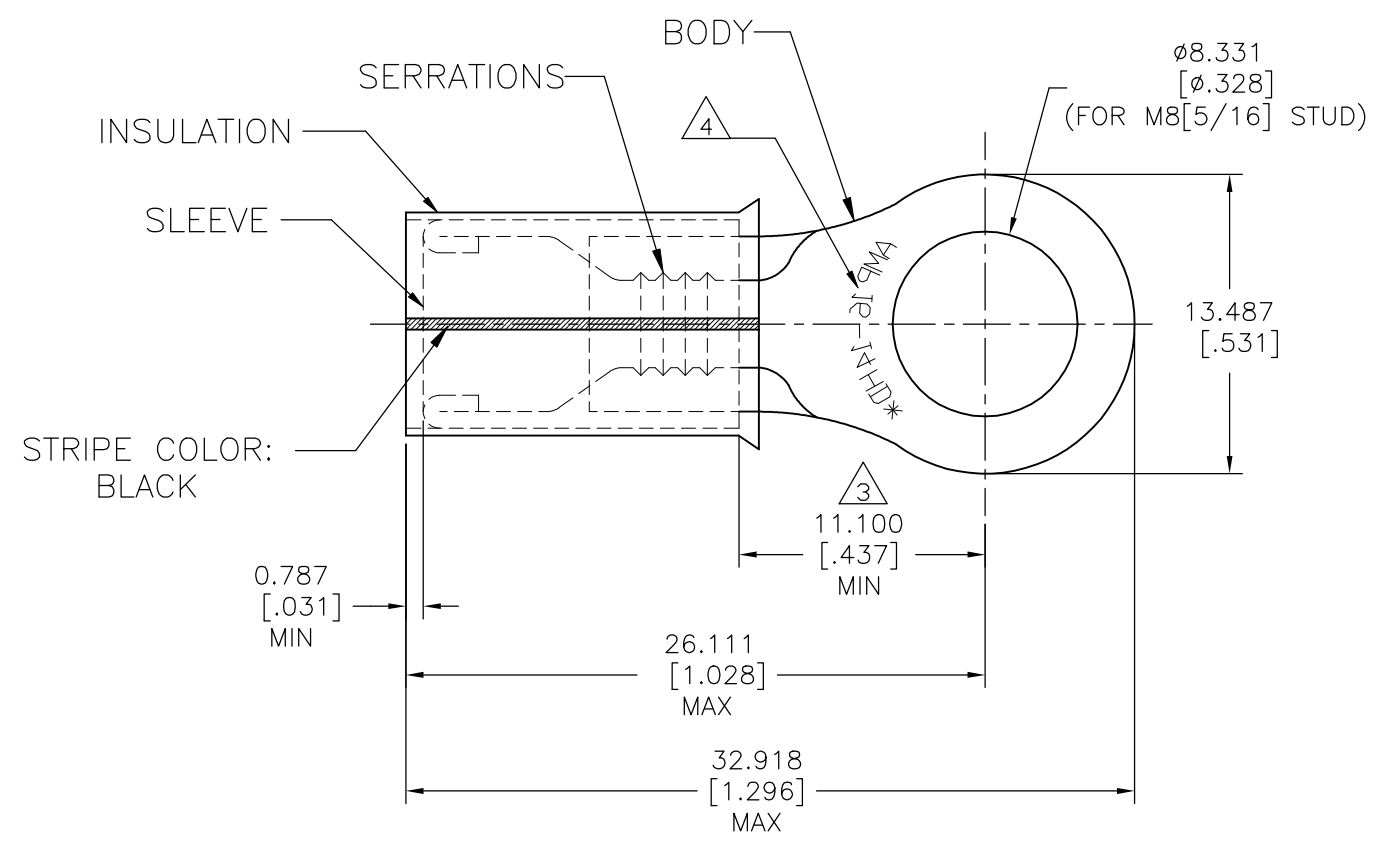


THIS DRAWING IS UNPUBLISHED. RELEASED FOR PUBLICATION  
 © COPYRIGHT - TE Connectivity Ltd. ALL RIGHTS RESERVED.

REVISIONS				
P	LTR	DESCRIPTION	DATE	APVD
	J1	REVISED PER ECO-17-008114	12JUN2018	RS DR

<b>AMP</b> WIRE RANGE	E13288 Listed	LR7189 Certified
16-14 AWG SOLID OR STRANDED	16-14 AWG SOLID OR STRANDED	16-14 AWG SOLID OR STRANDED



- 1 FOR 3.810 TO 6.350[.150 TO .250] WIRE INSULATION DIA
- 2 BODY MATERIAL THK: 1.219±0.051[.048±.002]
- 3 APPLIES FROM EDGE OF METAL WIRE BARREL TO CENTER OF STUD HOLE
- 4 STAMP AMP 16-14 HD\* APPROX AS SHOWN
- 5 MATERIAL:  
BODY & SLEEVE: COPPER PER ASTM B152  
INSULATION: NYLON
- 6 FINISH:  
BODY & SLEEVE: TIN PL PER ASTM B545  
INSULATION: COLOR - YELLOW

500	LOOSE PIECE	34810
QTY	PACKAGE TYPE	PART NO

THIS DRAWING IS A CONTROLLED DOCUMENT.		DWN RAVI S 12JUN2018	TE Connectivity Ltd.	
DIMENSIONS: mm [INCHES]		CHK ROHDE DANIEL F 12JUN2018		
TOLERANCES UNLESS OTHERWISE SPECIFIED:		APVD ROHDE DANIEL F 12JUN2018	NAME WIRE TERMINAL, P.I.D.G. - RING TONGUE WIRE SIZE: 16-14 AWG HD	
0 PLC ± - 1 PLC ± - 2 PLC ± - 3 PLC ± 0.127[.005] 4 PLC ± - ANGLES ± 5°		PRODUCT SPEC UL 486 A-B	SIZE A3	
MATERIAL		APPLICATION SPEC 114-2157	CAGE CODE 00779	DRAWING NO 34810
FINISH		WEIGHT	RESTRICTED TO -	
5		CUSTOMER DRAWING		SCALE NTS
6		SHEET 1 OF 1		REV J1