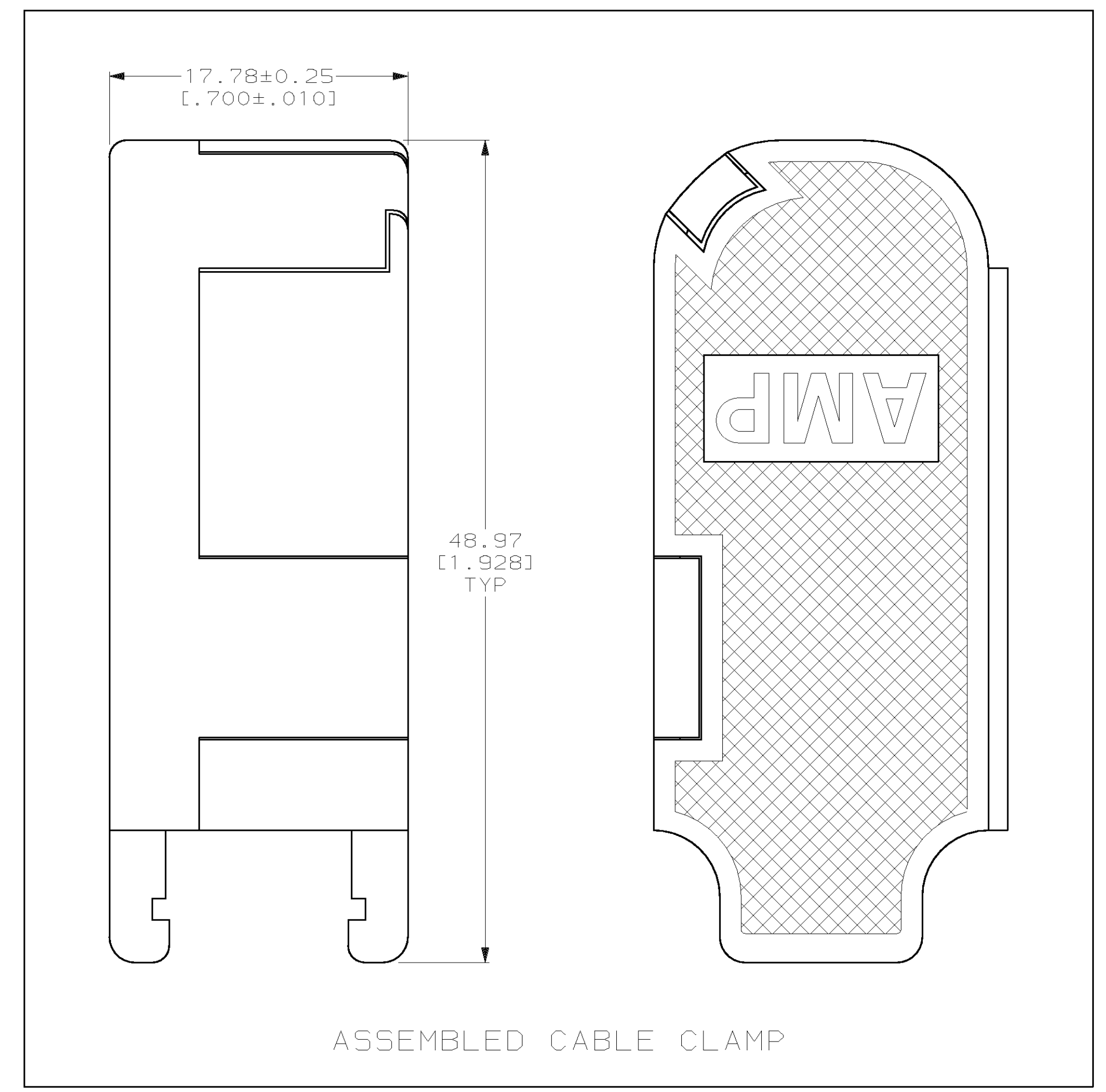
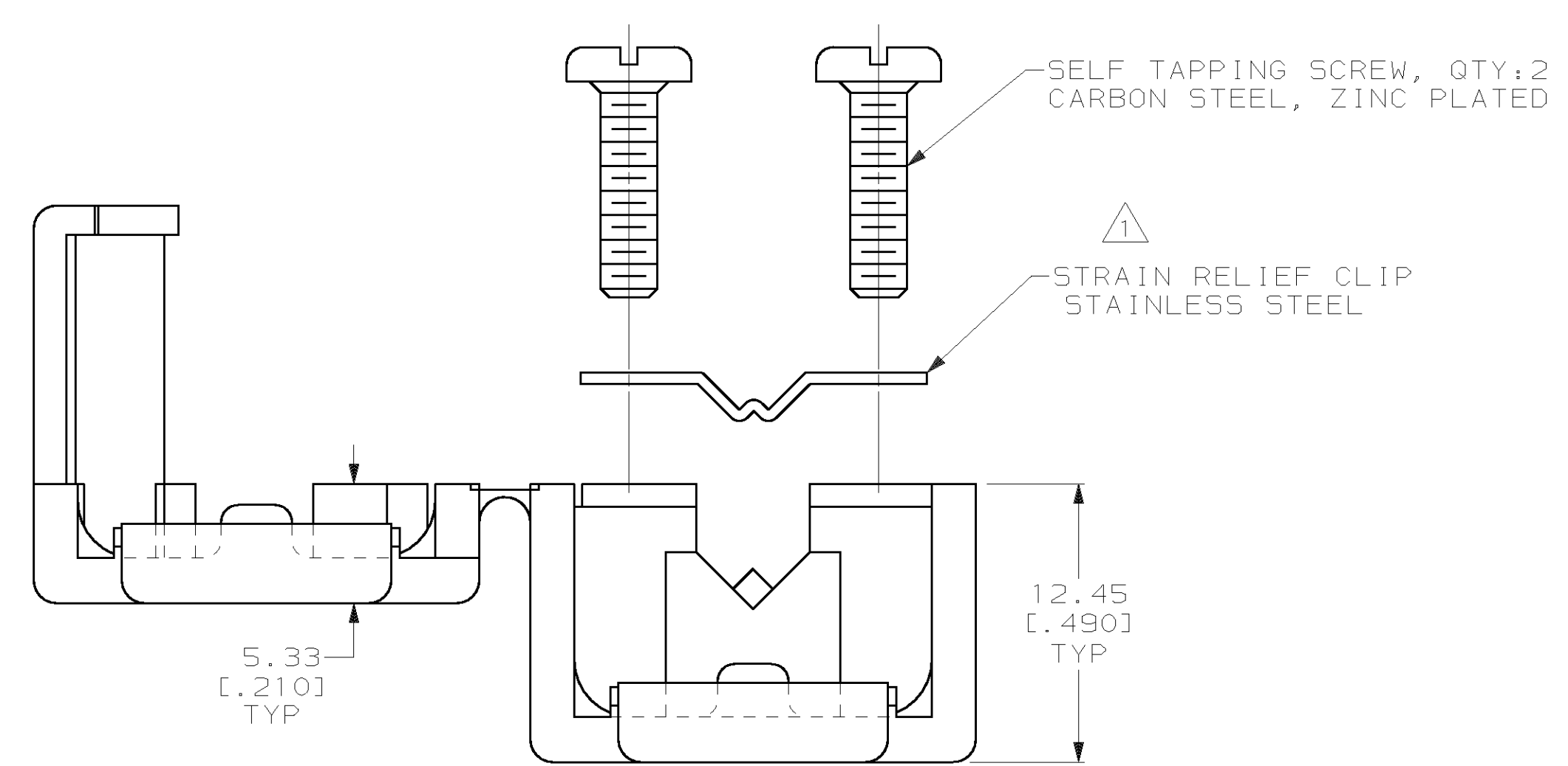
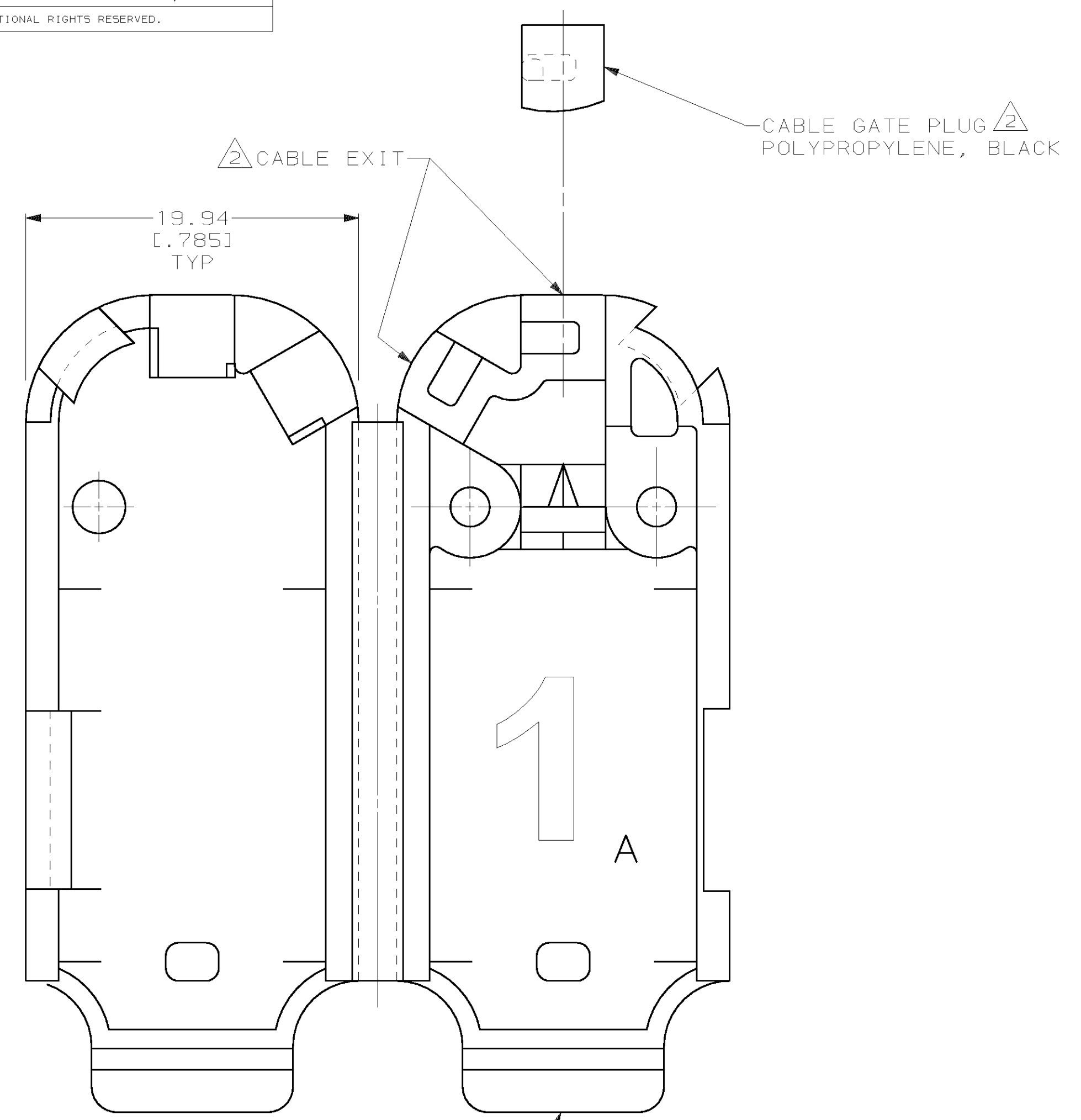


LOC	DIST	P	F	ZONE	LTR	DESCRIPTION	DATE	APPD
GP	00							
						RLSE PER NPR 2735	02/21/90	-
						REV PER ECN BD4220	07/30/90	JW
						REV PER ECN BD4313	10/03/90	JW
						REV PER ECN BD5736	08/26/92	RM
						REV PER EC 0020-1343-93	11/17/93	SB
						REV PER EC 0UE0-0002-01	14 JAN 02	JR



- △ CLIP CAN BE INSTALLED AS SHOWN FOR SMALL DIAMETER CABLE, OR REVERSED FOR LARGE DIAMETER CABLE.
- △ CABLE GATE PLUG TO BE PLACED IN CABLE EXIT NOT BEING USED.
- 3. CABLE DIAMETER RANGE = 1.90-6.35 [.075-.250].

OBsolete	BULK PACKED	750100-2
	UNIT KIT	750100-1
	PACKAGING	PART NO

DO NOT SCALE PRINT. UNLESS SPECIFIED DIMENSIONS IN mm [INCHES]		DR 02/21/90 L.SIPE		AMP INCORPORATED Harrisburg, Pa. 17105	
TOLERANCES ON:		CHK 2-22-90 R.STONE			
2 PLC DEC ± 0.13 [.005]		APPD 2-22-90 J.WESTMAN		NAME	
3 PLC DEC ± -		APPD 2-22-90 J.ASSINI		CABLE CLAMP KIT, UNASSEMBLED, SIZE 1, QUIK-SNAP, 120° & 180°	
ANGLES ± -		PRODUCT SPEC		CABLE EXIT, AMPLIMITE™	
MATERIAL		APPLICATION SPEC		SIZE	CAGE CODE
SEE CALLOUTS		-		D	00779
FINISH		WEIGHT		DRAWING NO	750100
SEE CALLOUTS		-		SCALE	4:1
				SHEET	1 OF 1