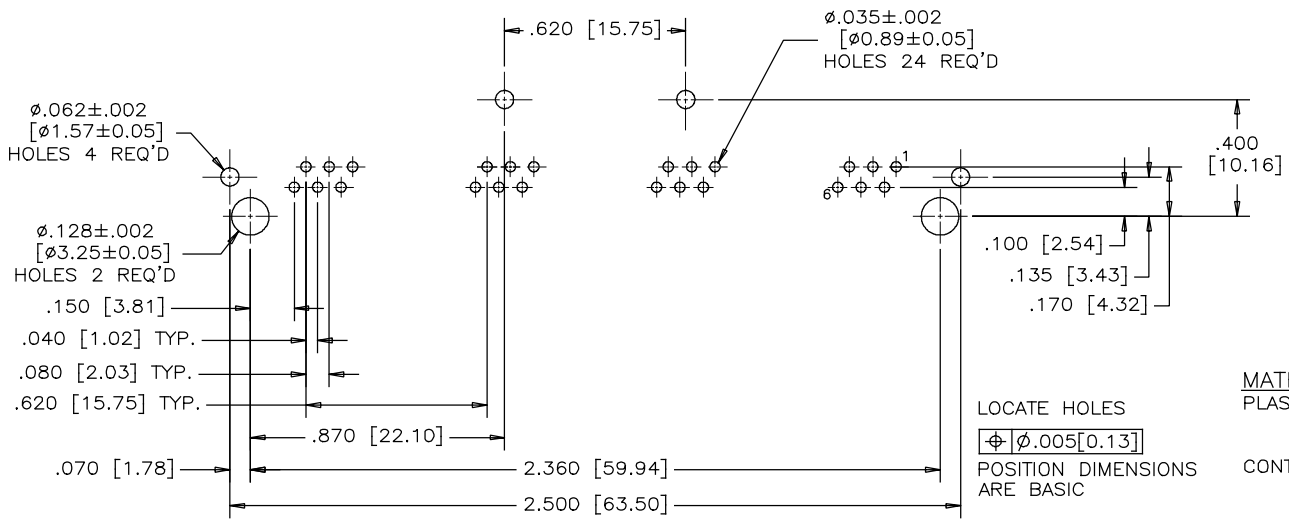
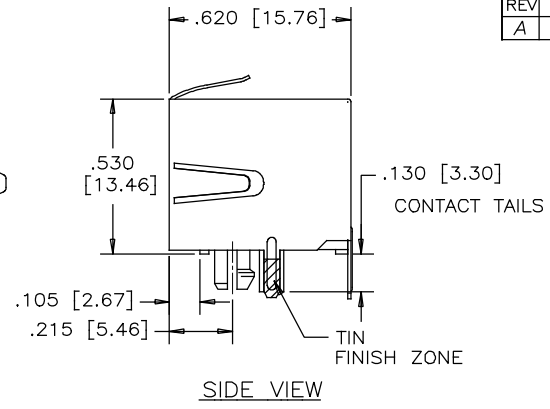
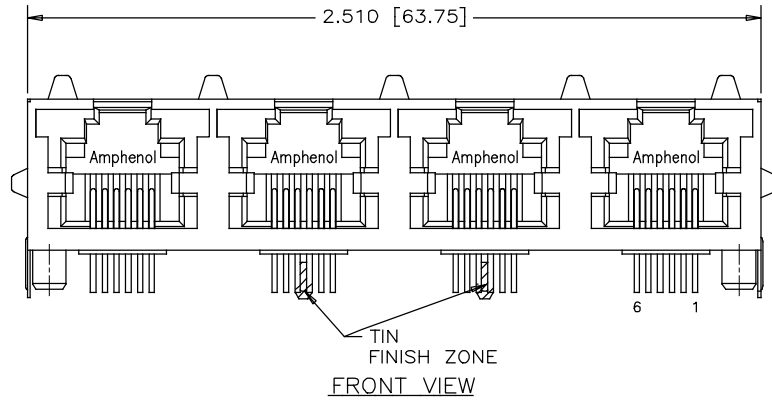
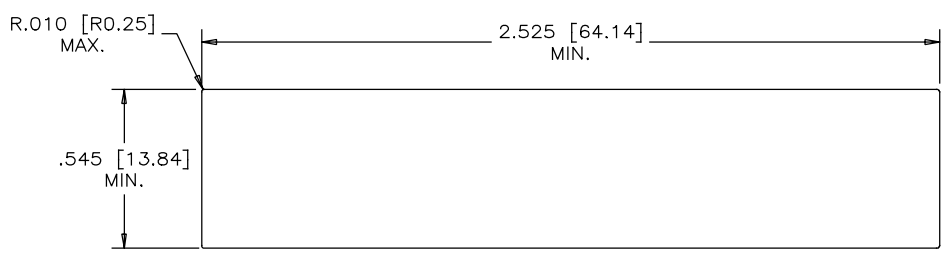


REVISIONS			
REV	DESCRIPTION, ECN, EAR NO.	DATE	APP'D
A	PROPOSAL	MAR 13/18	L.CHAN



RECOMMENDED P.C.B. LAYOUT
(COMPONENT SIDE OF BOARD)



RECOMMENDED PANEL CUTOUT



MATERIALS:
 PLASTIC HOUSING: HIGH TEMPERATURE THERMOPLASTIC
 FLAMMABILITY RATING UL 94V-0

CONTACTS: PHOSPHOR BRONZE
 PLATING: 50 μ" [1.27 MICRONS]
 MIN. GOLD ON MATING SURFACES.
 50 μ" [1.27 MICRONS]
 MIN. NICKEL UNDERPLATE
 100 μ" [2.54 MICRONS]
 MIN. MATTE TIN ON CONTACT TAILS.

SHIELD: STAINLESS STEEL WITH TIN FINISH ON PCB TAILS.

PART NUMBER: RJHSE-7360-A4

UNLESS SPECIFIED OTHERWISE	DRAWN <i>W.QIU</i>	DATE <i>MAR 13/18</i>
PRIMARY UNITS INCH	CHECKED <i>L.CHAN</i>	DATE <i>MAR 13/18</i>
SECONDARY MILLIMETER	M.E. APP'D	
REFERENCE IN PARENTHESES	Q.A. APP'D	
GENERAL TOLERANCES	DWG APPR.	
1 DECIMAL PLACE ±0.025	ENG. REL. NO.	
2 DECIMAL PLACES ±0.020	REF.	
3 DECIMAL PLACES ±0.015		
ANGULAR DEGREES ±1.0°	THIRD ANGLE PROJECTION	DO NOT SCALE DRAWING

Amphenol Canada Corp.
 www.amphenolcanada.com

TITLE
 4-PORT HIGH SPEED RJ11, 6P6C
 WITH SHIELD, WITHOUT LEDS, 0.13" LONG
 CONTACT TAIL, -RoHS COMPLIANT

DWG. NO. **P-RJHSE-7360-A4** REV **A**

CODE ID NO. 03554 | DWG SIZE: C | SCALE: N/A | SHEET 1 OF 1