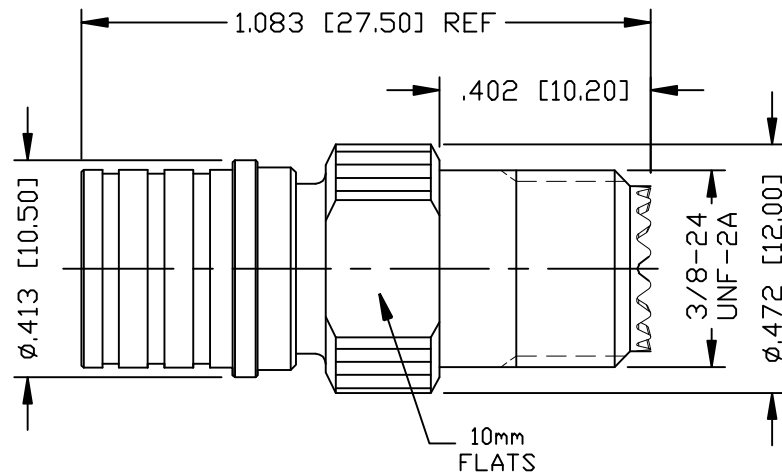


PART NO.

ROA-5411

REV	DESCRIPTION	DWN	DATE	APPROVED
-	ENGINEERING RELEASE	CZS	02/18/18	JDMc

**SPECIFICATIONS:**

IMPEDANCE: 50 Ohms
 FREQUENCY RANGE: 0-3 GHz
 VSWR: 1.2 @ 3 GHz
 DIELECTRIC WITHSTANDING VOLTAGE: 1000 V/AC
 INSULATION RESISTANCE: 5k M Ohms min.
 TEMPERATURE RANGE: -40°C TO 155°C
 RoHS COMPLIANT

5	SHELL	1	BRASS	WHITE BRONZE
4	GROUND RING	1	BRASS	WHITE BRONZE
3	CONTACT	1	BeCu	SILVER
2	INSULATOR	1	PTFE	---
1	BODY	1	BRASS	WHITE BRONZE
#	DESCRIPTION	QTY	MATERIAL	FINISH

CUSTOMER
 OUTLINE DRAWING
 ALL DIMENSIONS
 ARE REFERENCE ONLY

UNLESS OTHERWISE SPECIFIED:
 DIMENSIONS ARE IN INCHES
 AND [MILLIMETERS]

DRAWN	C. ZUNIGA	02/18/18
CHECKED		
ORJ DRAWN	C. ZUNIGA	02/18/18

PROPRIETARY AND CONFIDENTIAL
 THIS DRAWING CONTAINS
 INFORMATION PROPRIETARY TO
 RF INDUSTRIES, ANY
 UNAUTHORIZED USE OF THIS
 DRAWING IS EXPRESSLY
 PROHIBITED WITHOUT WRITTEN
 PERMISSION FROM RF
 INDUSTRIES. ANY VIOLATION IS
 PUNISHABLE UNDER U.S.
 COPYRIGHT LAWS.

RFconnectors
 DIVISION OF RF INDUSTRIES, LTD.

RFINDUSTRIES.COM
 7610 MIRAMAR RD.
 SAN DIEGO, CA 92126
 (858) 549-6340
 (858) 549-6345 FAX

**QMA PLUG TO
 MINI UHF JACK ADAPTER**

CABLE GROUP	DWG #	REVISION
N/A	RQA-5411	---
FORMAT	SCALE	CONTROL #
A	NTS	N/A
SHEET 1 OF 1		