

AN1201SM

Polarity inverting charge pump DC/DC converter IC

■ Overview

AN1201SM is a negative voltage generation IC for bias voltage of transmission power module of cellular phones. This IC is a polarity inverting DC/DC converter to change from positive voltage into negative voltage.

■ Features

- High power conversion efficiency: 89% typ. (when output current is 5 mA.)
- Low output resistance: 20 Ω typ.
- High voltage conversion efficiency: 99.9%
- Small (S-MINI) package

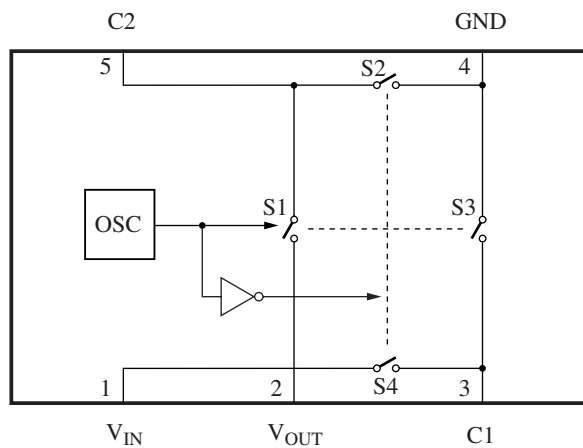
■ Applications

- Cellular phones

■ Package

- SMINI-5DA

■ Block Diagram



■ Pin Descriptions

Pin No.	Symbol	Description
1	V _{IN}	Supply voltage pin
2	V _{OUT}	Inverted output pin
3	C1	Charge pump capacitor's positive polarity side connecting pin
4	GND	Ground pin
5	C2	Charge pump capacitor's negative polarity side connecting pin

■ Absolute Maximum Ratings

Parameter	Symbol	Rating	Unit
Supply voltage	V _{IN}	3.3	V
Supply current	I _{IN}	10	mA
Output current	I _O	20	mA
Power dissipation *2	P _D	48	mW
Operating ambient temperature *2	T _{opr}	-30 to +85	°C
Storage temperature *1	T _{stg}	-55 to +125	°C

Note) 1. Do not apply external currents or voltages to any pins not specifically mentioned.

For circuit currents, (+) denotes current flowing into the IC, and (-) denotes current flowing out of the IC.

2. *1: Except for the power dissipation, operating ambient temperature and storage temperature, all ratings are for T_a = 25°C.

*2: T_a = 85°C, For the independent IC without a heat sink.

■ Recommended Operating Range

Parameter	Symbol	Range	Unit
Supply voltage	V _{IN}	2.0 to 3.0	V

■ Electrical Characteristics at V_{IN} = 2.5 V, C1 = 1 μF, T_a = 25°C

Parameter	Symbol	Conditions	Min	Typ	Max	Unit
Consumption current	I _{CC}	No load	—	0.25	1	mA
Oscillator frequency	f _{OSC}	No load	90	125	160	kHz
Output resistance	R _{OUT}	Load 500 Ω	—	—	50	Ω
Voltage conversion efficiency	V _η	No load	95.0	99.9	—	%
Power efficiency	P _η	Load 500 Ω	80	89	—	%
Consumption current in Sleep mode	I _{OFF}	V _{IN} = 0.2 V, no load	—	—	1	μA

• Design reference data

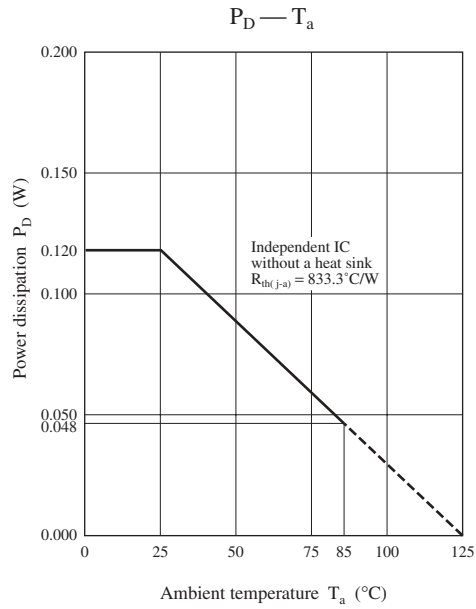
Note) The characteristics listed below are theoretical values based on the IC design and are not guaranteed.

Unless otherwise specified: V_{IN} = 2.5 V, T_a = 25°C

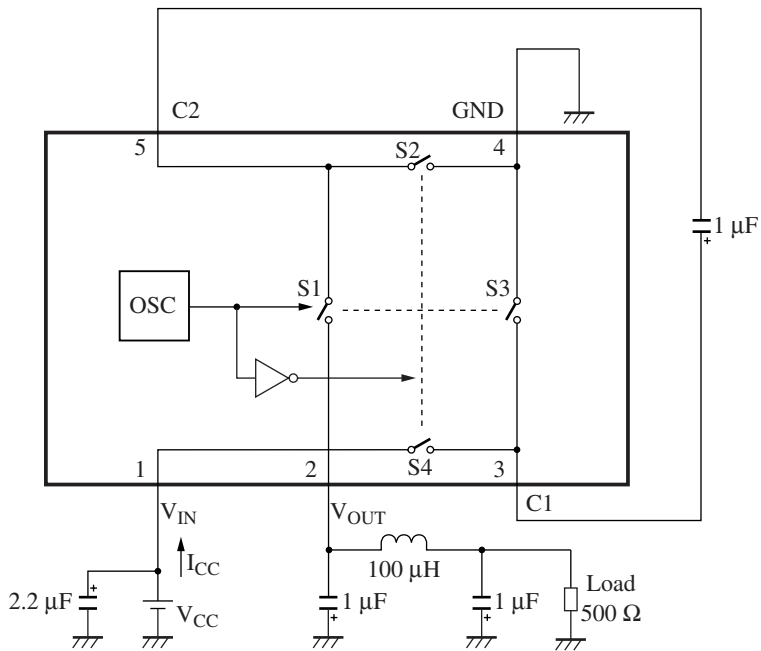
Parameter	Symbol	Conditions	Min	Typ	Max	Unit
Oscillator frequency	f _{OSC}	V _{IN} = 2.5 V, no load T _a = -30°C to 85°C	66	125	198	kHz

■ Technical Data

- $P_D - T_a$ curves of SMINI-5DA



■ Application Circuit Example



Request for your special attention and precautions in using the technical information and semiconductors described in this book

- (1) If any of the products or technical information described in this book is to be exported or provided to non-residents, the laws and regulations of the exporting country, especially, those with regard to security export control, must be observed.
- (2) The technical information described in this book is intended only to show the main characteristics and application circuit examples of the products, and no license is granted under any intellectual property right or other right owned by our company or any other company. Therefore, no responsibility is assumed by our company as to the infringement upon any such right owned by any other company which may arise as a result of the use of technical information described in this book.
- (3) The products described in this book are intended to be used for standard applications or general electronic equipment (such as office equipment, communications equipment, measuring instruments and household appliances).
Consult our sales staff in advance for information on the following applications:
 - Special applications (such as for airplanes, aerospace, automobiles, traffic control equipment, combustion equipment, life support systems and safety devices) in which exceptional quality and reliability are required, or if the failure or malfunction of the products may directly jeopardize life or harm the human body.
 - Any applications other than the standard applications intended.
- (4) The products and product specifications described in this book are subject to change without notice for modification and/or improvement. At the final stage of your design, purchasing, or use of the products, therefore, ask for the most up-to-date Product Standards in advance to make sure that the latest specifications satisfy your requirements.
- (5) When designing your equipment, comply with the range of absolute maximum rating and the guaranteed operating conditions (operating power supply voltage and operating environment etc.). Especially, please be careful not to exceed the range of absolute maximum rating on the transient state, such as power-on, power-off and mode-switching. Otherwise, we will not be liable for any defect which may arise later in your equipment.
Even when the products are used within the guaranteed values, take into the consideration of incidence of break down and failure mode, possible to occur to semiconductor products. Measures on the systems such as redundant design, arresting the spread of fire or preventing glitch are recommended in order to prevent physical injury, fire, social damages, for example, by using the products.
- (6) Comply with the instructions for use in order to prevent breakdown and characteristics change due to external factors (ESD, EOS, thermal stress and mechanical stress) at the time of handling, mounting or at customer's process. When using products for which damp-proof packing is required, satisfy the conditions, such as shelf life and the elapsed time since first opening the packages.
- (7) This book may be not reprinted or reproduced whether wholly or partially, without the prior written permission of Matsushita Electric Industrial Co., Ltd.