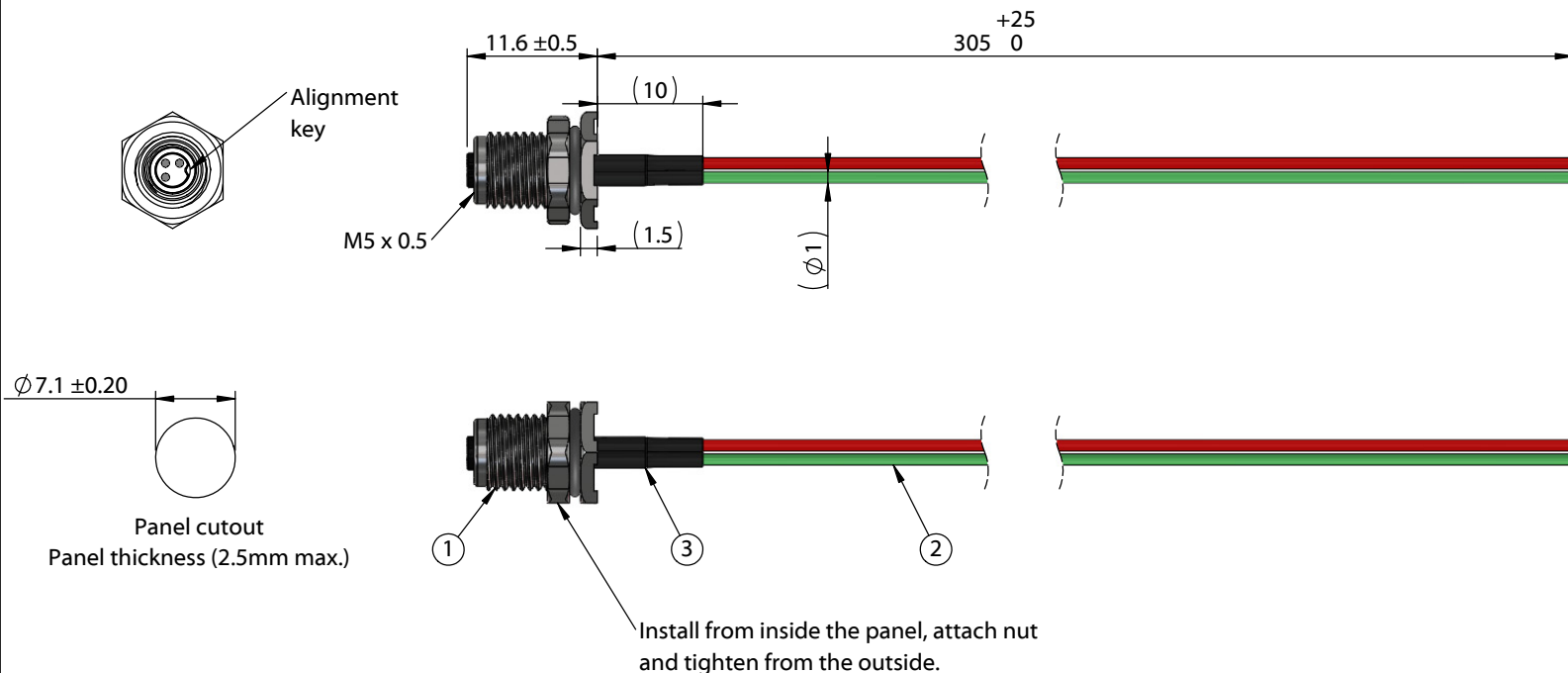


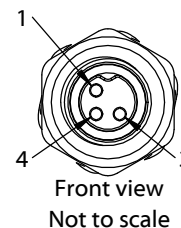
ITEM NO.	PART NUMBER	DESCRIPTION	QTY.	COMPONENT NOTES
1	54-00104	Connector, 3 pin M5 socket, 5xL13.7mm, gold plated, panel mount, solder cup, IP67	1	nut and o-ring included
2	Wire	Wire, hook-up, TS, 26 AWG, UL 11028, 600V, 105C, 1 mm, mPPE	3	color: red, green, white
3	Heat shrink	Heat shrink, UL, black	3	covers solder joints



**Notes:**  
 Cable rated for 60 V, 1 A  
 Temperature: -40 ~ 85 °C

IP67 waterproof rating when mated with corresponding (IP67) connector and installed properly in panel

Cables individually packaged in PE bag  
 Functionally equivalent components may be substituted



Wiring Diagram	
54-00104	wire color (P/N)
1	red (30-01772)
3	green (30-01777)
4	white (30-01774)

Revision: A	Date: 11/11/2022	Description: Initial release	Prepared: PB <small>Digitally signed by PB Date: 2022.11.11 11:44:10 -08'00'</small>	Notes: RoHS compliant	<h1>TENSILITY</h1> <p>tel 1.541.323.3228 800 877.670.7118          fax 1.541.323.4202 web tensility.com</p>
			Verified: MP <small>Digitally signed by MP Date: 2022.11.28 15:42:16 -08'00'</small>	Function test: no open, no short circuit, no intermittent	
			Dimensions are in millimeters. Tolerances: X: ± 0.5 mm X.X: ± 0.3 mm X.XX: ± 0.05 mm	Description: Cable, 305 mm, M5 3C socket panel mount 54-00104 to blunt cut, 26 AWG, UL 11028 hook-up wire	Size: A
					Part number: 10-05271
					Scale: 1.5:1
					Sheet 1 of 1

5 4 3 2 1