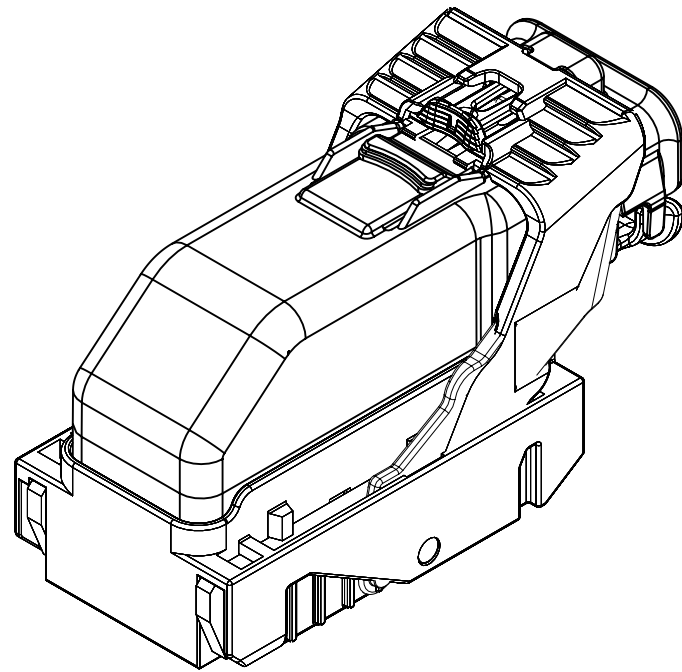

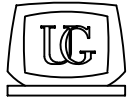


| INDEX | |
|---|------|
| PAGE TITLE | PAGE |
| TITLE BLOCK | 1 |
| REVISION BLOCK | 2 |
| PART BLOCK | 3 |
| KPC BLOCK | 4 |
| COMPONENT TABLE | 5 |
| NOTES | 6 |
| NOTES | 7 |
| WIRE DRESS PACKAGING DIMENSIONS | 8 |
| LOCATION AND PACKAGING DIMENSIONS REFERENCING INTERFACE DATUMS B & C | 9 |
| LOCATION AND PACKAGING DIMENSIONS REFERENCING INTERFACE DATUM A | 10 |
| KEY ID REF - WIRE DRESS OPTION 0 | 11 |
| KEY ID REF - WIRE DRESS OPTION 9 | 12 |
| CIRCUIT CONFIGURATIONS | 13 |
| CIRCUIT CONFIGURATIONS | 14 |
| COMPONENT CONNECTOR INTERFACE | 15 |
| COMPONENT CONNECTOR INTERFACE | 16 |
| COMPONENT CONNECTOR INTERFACE | 17 |
| COMPONENT CONNECTOR INTERFACE | 18 |
| COMPONENT CONNECTOR INTERFACE | 19 |
| COMPONENT CONNECTOR INTERFACE | 20 |
| COMPONENT CONNECTOR INTERFACE | 21 |




ISO VIEW

| | | | | | | | | | | |
|---|---|-------------------------------------|---|--|----|-----|-----|---|-----|--|
|  | <p>UNLESS OTHERWISE SPECIFIED: THIS DOCUMENT IS IN ACCORDANCE WITH ASME Y14.5M-1994 AS AMMENDED BY THE GM GLOBAL DIMENSIONING AND TOLERANCING ADDENDUM-1997. ALL GEOMETRIC TOLERANCES AND RELATED DATUMS APPLY RFS. RULE #1 (PERFECT FORM AT MMC) DOES NOT APPLY WHEN A RELATIONSHIP BETWEEN FEATURES IS ESTABLISHED BY ORIENTATION OR LOCATION TOLERANCES. SEPARATE POSITION CALLOUTS MAY BE GAGED SEPARATELY REGARDLESS OF DATUM REFERENCES.</p> | | | DATE | | | | | | |
| |  CHANGE RESTRICTED NO MANUAL CHANGES | REFERENCE 12H (MOLEX AUTOMOTIVE) | DRAFTER J SZYMKOWSKI APVD1 D PFAFFINGER APVD2 B BURT APVD3 APVD4 APVD5 | 22DE05 22DE05 22DE05 | | | | | | |
| DO NOT SCALE | DRAWING NAME HARNESS CONN ASM 66/73/80 CKTS | | | | | | | | | |
| METRIC DIMENSIONS SHOWN IN MILLIMETERS UNLESS OTHERWISE SPECIFIED | DRAWING NUMBER 12642695 | | DWG STATUS <table border="1"> <tr> <td>ST</td> <td>REV</td> <td>PD1</td> </tr> <tr> <td>R</td> <td>002</td> <td></td> </tr> </table> | | ST | REV | PD1 | R | 002 | |
| ST | REV | PD1 | | | | | | | | |
| R | 002 | | | | | | | | | |
| | | | PAGE NUMBER 1 OF 21 | | | | | | | |

| PAGE | DWG STATUS | | | | | REVISION HISTORY | AUTH | DR | CK | ENG |
|------|------------|----|-----|-----|-----|--|--------|-----|-----|-----|
| | DATE | ST | REV | CHG | PDI | | | | | |
| | 19DE11 | R | 001 | | | RELEASED TO PRODUCTION AT DLS A | CRMRJB | SC | MRO | GF |
| 3 | 08MY15 | R | 002 | A | | REORDERED PART BLOCK AND ADDED MASS CORRECTED P/N TYPO FROM 12562676 TO 12582676 | | | | |
| 3, 5 | | R | 002 | B | | ADDED 12659312, 12659313, 12653574 AND 12653575 | | | | |
| 6 | | R | 002 | C | | REMOVED NOTE 1 . D . 3 . C | | | | |
| 20 | | R | 002 | D | | DIM 125 WAS 3.25 DIM 131 WAS 5.5 | CRMRJD | DFK | MRO | GF |

| PAGE | DWG STATUS | | | | | REVISION HISTORY | AUTH | DR | CK | ENG |
|------|------------|----|-----|-----|-----|------------------|------|----|----|-----|
| | DATE | ST | REV | CHG | PDI | | | | | |

| | | | | | | | |
|---|----------------|-----------------------------------|------------|-----|-----|-------------|--|
|  | PAGE TITLE | DRAWING NUMBER 12642695 | DWG STATUS | | | PAGE NUMBER | |
| | REVISION BLOCK | | ST | REV | PDI | 2 OF 21 | |
| | | | R | 002 | | | |

KEY PRODUCT CHARACTERISTICS
(IN ACCORDANCE WITH QN 1805 OR ON 1050)



SAFETY/COMPLIANCE

TOTAL ON
DRAWING

5



FIT/FUNCTION

LAST NO.
USED

5

| NO | TYPE | DESCRIPTION | RATIONALE | PAGE/ZONE |
|----|------|---------------------------------|-------------------------------------|-----------|
| 1 | F/F | 32.68 | IMPROVE CONNECTOR SYSTEM MATING | 15 |
| 2 | F/F | 29.00 | INSURE PROPER RELEASE OF LEVER | 15 |
| 3 | F/F | 15.25 | INSURE FINAL MATE POSITION | 16 |
| 5 | F/F | POSITIONAL TOLERANCE (2 PLACES) | INSURE CONNECTOR SYSTEM MATEABILITY | 19 |



PAGE TITLE
KPC BLOCK

DRAWING NUMBER

12642695

DWG STATUS

| | | |
|----|-----|-----|
| ST | REV | PD1 |
|----|-----|-----|

| | | |
|---|-----|--|
| R | 002 | |
|---|-----|--|


PAGE NUMBER

4 OF 21

| LINE | MFG. | MFG. P/N | GM P/N | EFFECTIVE DATE | APPLICABLE COMPONENTS | KEY OPTION | WIRE DRESS OPTION | KEY CONFIG. | COLOR | STATUS |
|------|--------|--------------|----------|----------------|---|------------|-------------------|-------------|---------|------------|
| | | | | | DESCRIPTION | | | | | |
| - | | | | | | | | | | |
| 1 | MOLEX | 34565-0003 | 12582676 | 02JN03 | MX123 DRESS COVER 66/73/80 CKT | N/A | N/A | N/A | BLACK | AVAILABLE |
| 2 | MOLEX | 34822-0013 | 12642692 | 01SP13 | MX123 HRNS CONN ASSY 66 CKT | A | 0 | 1458 | BLACK | AVAILABLE |
| 3 | MOLEX | 34822-0033 | 12659312 | 01SP13 | MX123 HRNS CONN ASSY 66 CKT | C | 0 | 2467 | BLUE | AVAILABLE |
| 4 | MOLEX | 34822-0023 | 12642693 | 01SP13 | MX123 HRNS CONN ASSY 66 CKT | A | 9 | 1458 | BLACK | AVAILABLE |
| 5 | MOLEX | 34822-0043 | 12659313 | 01SP13 | MX123 HRNS CONN ASSY 66 CKT | C | 9 | 2467 | BLUE | AVAILABLE |
| 6 | MOLEX | 34566-0103 | 12582677 | 11JN04 | MX123 HRNS CONN ASSY 73 CKT | A | 0 | 1458 | BLACK | AVAILABLE |
| 7 | MOLEX | 34566-0203 | 12582678 | 11JN04 | MX123 HRNS CONN ASSY 73 CKT | B | 0 | 1468 | ST GRAY | AVAILABLE |
| 8 | MOLEX | 34566-0303 | 12615654 | 09AP08 | MX123 HRNS CONN ASSY 73 CKT | C | 0 | 2467 | BLUE | AVAILABLE |
| 9 | MOLEX | 34566-0403 | 12647268 | T.B.D | MX123 HRNS CONN ASSY 73 CKT | D | 0 | 2367 | BROWN | NOT ACTIVE |
| 10 | MOLEX | 34566-0503 | AMJ28633 | T.B.D | MX123 HRNS CONN ASSY 73 CKT | E | 0 | 2468 | GREEN | NOT ACTIVE |
| 11 | MOLEX | 34566-0603 | 12653574 | 05DC14 | MX123 HRNS CONN ASSY 73 CKT | F | 0 | 1357 | NATURAL | AVAILABLE |
| 12 | MOLEX | 34566-0703 | 12588057 | 09AP08 | MX123 HRNS CONN ASSY 80 CKT | G | 0 | 1358 | BLUE | AVAILABLE |
| 13 | MOLEX | 34566-0803 | 12588058 | 11JN04 | MX123 HRNS CONN ASSY 80 CKT | H | 0 | 2458 | ST GRAY | AVAILABLE |
| 14 | MOLEX | 34566-0903 | 12615656 | T.B.D | MX123 HRNS CONN ASSY 80 CKT | J | 0 | 2457 | BLACK | NOT ACTIVE |
| 15 | MOLEX | 34566-1003 | AMJ28595 | T.B.D | MX123 HRNS CONN ASSY 80 CKT | K | 0 | 2357 | BROWN | NOT ACTIVE |
| 16 | MOLEX | 34566-1103 | AMJ29057 | T.B.D | MX123 HRNS CONN ASSY 80 CKT | L | 0 | 2368 | GREEN | NOT ACTIVE |
| 17 | MOLEX | 34566-1203 | AMJ28669 | T.B.D | MX123 HRNS CONN ASSY 80 CKT | M | 0 | 2358 | NATURAL | NOT ACTIVE |
| 18 | MOLEX | 34566-1303 | 12603596 | 11JN04 | MX123 HRNS CONN ASSY 73 CKT | A | 9 | 1458 | BLACK | AVAILABLE |
| 19 | MOLEX | 34566-1403 | 12603597 | 11JN04 | MX123 HRNS CONN ASSY 73 CKT | B | 9 | 1468 | ST GRAY | AVAILABLE |
| 20 | MOLEX | 34566-1503 | 12615655 | 09AP08 | MX123 HRNS CONN ASSY 73 CKT | C | 9 | 2467 | BLUE | AVAILABLE |
| 21 | MOLEX | 34566-1603 | 12647269 | T.B.D | MX123 HRNS CONN ASSY 73 CKT | D | 9 | 2367 | BROWN | NOT ACTIVE |
| 22 | MOLEX | 34566-1703 | AMJ28698 | T.B.D | MX123 HRNS CONN ASSY 73 CKT | E | 9 | 2468 | GREEN | NOT ACTIVE |
| 23 | MOLEX | 34566-1803 | 12653575 | 05DC14 | MX123 HRNS CONN ASSY 73 CKT | F | 9 | 1357 | NATURAL | AVAILABLE |
| 24 | MOLEX | 34566-1903 | 12603598 | 09AP08 | MX123 HRNS CONN ASSY 80 CKT | G | 9 | 1358 | BLUE | AVAILABLE |
| 25 | MOLEX | 34566-2003 | 12603599 | 11JN04 | MX123 HRNS CONN ASSY 80 CKT | H | 9 | 2458 | ST GRAY | AVAILABLE |
| 26 | MOLEX | 34566-2103 | 12615657 | T.B.D | MX123 HRNS CONN ASSY 80 CKT | J | 9 | 2457 | BLACK | NOT ACTIVE |
| 27 | MOLEX | 34566-2203 | AMJ29117 | T.B.D | MX123 HRNS CONN ASSY 80 CKT | K | 9 | 2357 | BROWN | NOT ACTIVE |
| 28 | MOLEX | 34566-2303 | AMJ29136 | T.B.D | MX123 HRNS CONN ASSY 80 CKT | L | 9 | 2368 | GREEN | NOT ACTIVE |
| 29 | MOLEX | 34566-2403 | AMJ29214 | T.B.D | MX123 HRNS CONN ASSY 80 CKT | M | 9 | 2358 | NATURAL | NOT ACTIVE |
| 30 | MOLEX | 34736-2002 | 12642697 | 01AU10 | MX64 RCPT TERM Ag 18/20 GAGE B (RIGHT PAYOFF) | N/A | N/A | N/A | N/A | AVAILABLE |
| 31 | MOLEX | 34736-2001 | 12642696 | 01AU10 | MX64 RCPT TERM Ag 22 GAGE B (RIGHT PAYOFF) | N/A | N/A | N/A | N/A | AVAILABLE |
| 32 | MOLEX | 34586-0001 | T.B.D. | 11JN04 | MX123 0.64MM GROMMET PLUG | N/A | N/A | N/A | NATURAL | AVAILABLE |
| 33 | YAZAKI | 7116-4150-02 | 12588066 | 02JN03 | 2.8mm YESC SEALED FEMALE TERMINAL TIN 20/22 GAGE (CABLE RANGE 0.30mm-0.60mm) | N/A | N/A | N/A | N/A | NOT ACTIVE |
| 34 | YAZAKI | 7116-4151-02 | 12588067 | 02JN03 | 2.8mm YESC SEALED FEMALE TERMINAL TIN 16/18 GAGE (CABLE RANGE 0.75mm-1.40mm) | N/A | N/A | N/A | N/A | NOT ACTIVE |
| 35 | YAZAKI | 7116-4152-02 | 12582685 | 02JN03 | 2.8mm YESC SEALED FEMALE TERMINAL TIN 14 GAGE (CABLE RANGE 1.50mm-2.50mm) | N/A | N/A | N/A | N/A | AVAILABLE |
| 36 | YAZAKI | 7158-3111-60 | 12588068 | 02JN03 | 2.8mm CABLE SEAL (wire O.D. range 1.20mm-1.90mm) | N/A | N/A | N/A | GREEN | NOT ACTIVE |
| 37 | YAZAKI | 7158-3112-70 | 12588069 | 02JN03 | 2.8mm CABLE SEAL (wire O.D. range 1.80mm-2.30mm) | N/A | N/A | N/A | YELLOW | NOT ACTIVE |
| 38 | YAZAKI | 7158-3113-40 | 12582686 | 02JN03 | 2.8mm CABLE SEAL (wire O.D. range 2.18mm-3.00mm) | N/A | N/A | N/A | WHITE | AVAILABLE |
| 39 | YAZAKI | 7158-3114-90 | T.B.D | 02JN03 | 2.8mm YESC CAVITY PLUG | N/A | N/A | N/A | BLUE | AVAILABLE |
| 40 | MOLEX | 63811-4200 | XX019825 | 02JN03 | MX64 TERM HAND CRIMP TOOL | N/A | N/A | N/A | N/A | AVAILABLE |
| 41 | MOLEX | 63813-1400 | XX019826 | 02JN03 | MX64 TERM SERVICE TOOL | N/A | N/A | N/A | N/A | AVAILABLE |
| 42 | MOLEX | 63865-8000 | XX019827 | 02JN03 | MX64 CRIMP APPLICATOR with TOOL KIT 18/20 GAGE PAYOFF DIRECTION D (left payoff) (contact Molex for payoff detail) | N/A | N/A | N/A | N/A | AVAILABLE |
| 43 | MOLEX | 63865-8070 | XX019828 | 02JN03 | MX64 APPLICATOR TOOL KIT 18/20 GAGE | N/A | N/A | N/A | N/A | AVAILABLE |
| 44 | MOLEX | 63865-8100 | XX019829 | 02JN03 | MX64 CRIMP APPLICATOR with TOOL KIT 22 GAGE PAYOFF DIRECTION D (left payoff) (contact Molex for payoff detail) | N/A | N/A | N/A | N/A | AVAILABLE |
| 45 | MOLEX | 63865-8170 | XX019830 | 02JN03 | MX64 APPLICATOR TOOL KIT 22 GAGE | N/A | N/A | N/A | N/A | AVAILABLE |
| 46 | SPX | J35616-64 | T.B.D. | 02JN03 | 0.64mm PROBE TOOL (for rcpt) | N/A | N/A | N/A | N/A | AVAILABLE |
| 47 | SPX | J35616-64A | T.B.D. | 02JN03 | 0.64mm PROBE TOOL WITH EXT (for rcpt) | N/A | N/A | N/A | N/A | AVAILABLE |
| 48 | SPX | J35616-65 | T.B.D. | 02JN03 | 0.64mm PROBE TOOL WITH EXT (for pin) | N/A | N/A | N/A | N/A | AVAILABLE |
| 49 | SPX | J35616-4A | T.B.D. | 02JN03 | 2.8mm PROBE TOOL (for rcpt) | N/A | N/A | N/A | N/A | AVAILABLE |
| 50 | YAZAKI | X39899-J374 | 12094430 | 02JN03 | 2.8mm TERM SERVICE TOOL | N/A | N/A | N/A | N/A | AVAILABLE |

002B

* - MX123 DRESS COVER 73/80/66 CKT MATES TO ANY MX123 HARN CONN ASSY SHOWN ON TABLE ABOVE

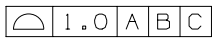
| | | | | | | |
|---|-----------------|----------------|------------|-----|-----|-------------|
|  | PAGE TITLE | DRAWING NUMBER | DWG STATUS | | | PAGE NUMBER |
| | COMPONENT TABLE | 12642695 | ST | REV | PDI | 5 OF 21 |
| | | | R | 002 | | |

NOTES: UNLESS OTHERWISE SPECIFIED

1. MATERIAL FOR INTERFACE:

- A. RESIN:
 - 1. 30% G.F. PBT; 20% MAX. (BY WEIGHT) REGRIND.
 - 2. MATING CONNECTOR INTERFACE PART COLOR MUST BE SAME AS MATCHING KEYED HARNESS CONNECTOR ASSEMBLY.
 - 3. MUST BE VALIDATED FOR INDIVIDUAL DEVICE APPLICATION REQUIREMENTS.
- B. 0.64MM PINS:
 - 1. BASE MATERIAL: COPPER ALLOY; CONDUCTIVITY >= 28% IACS AT 20°C; TENSILE STRENGTH >= 635 N/mm²; SURFACE ROUGHNESS R_a 6 MAX.
 - 2. PLATING FINISH: SILVER (Ag). PLATING TO BE 1.9-3.3 μm ELECTRODEPOSITED SEMI-BRIGHT SILVER OVER 1.25-2.25 μm DUCTILE SULPHAMATE NICKEL PER NOTE 1(D).
 - 3. ANTI-TARNISH: SYNTHETIC HYDROCARBON CONTACT SURFACE FINISH OR EQUIVALENT APPLIED WITHOUT VOID TO CONTACT AREA (MIN 3.7mm FROM PIN TIP).
- C. 2.8MM BLADE:
 - 1. BASE MATERIAL: COPPER ALLOY; CONDUCTIVITY >= 28% IACS AT 20°C; TENSILE STRENGTH >= 350 N/mm²; SURFACE ROUGHNESS R_a 6 MAX.
 - 2. PLATING FINISH: TIN. PLATING TO BE 2.5-5.0 μm ELECTRODEPOSITED TIN, MATTE FINISH OVER 1.25-2.5 μm DUCTILE SULPHAMATE NICKEL PER NOTE 1(D).
- D. PLATING REQUIREMENTS:
 - 1. SILVER PLATING
 - a. 99.5% PURE SEMI-BRIGHT WITH NO ORGANIC BRIGHTNERS OR CHROMATES.
 - 2. NICKEL PLATING
 - a. ELECTRODEPOSITED DUCTILE SULFAMATE NICKEL WITH A NON-BRIGHTENED FINISH. NO ORGANIC OR BRIGHTENING AGENTS SHALL BE ALLOWED.
 - b. SHALL ONLY BE USED AS AN UNDERLYING PLATING AND MAY NOT BE USED AS AN ELECTRICAL CONTACT SURFACE PLATING.
 - c. SHALL BE NODULE FREE WHEN VIEWED AT 10X MAGNIFICATION IN MEASURED IN CONTACT SURFACE AREA PLUS 0.5MM PERIMETER AROUND THE CONTACT SURFACE AREA.
 - d. ALL PLATINGS SHALL HAVE A 1.0% MAXIMUM BY WEIGHT IMPURITIES. IMPURITIES ARE DEFINED AS ALL ELEMENTS NOT THE PRIMARY PLATING OR HARDENING AGENT IF APPLICABLE, AS DETERMINED BY WET CHEMICAL ANALYSIS OR AUGER METHOD. NO SINGLE IMPURITY SHALL EXCEED 0.1% MAXIMUM BY WEIGHT.
 - 3. TESTING
 - a. THICKNESS TO BE MEASURED IN CONTACT SURFACE AREA PLUS 0.5MM PERIMETER AROUND THE CONTACT SURFACE AREA AS DESIGNATED IN THE DRAWING. THICKNESS SHALL BE DETERMINED BY METHOD OF X-RAY (XRF).
 - b. PLATING ADHESION SHALL BE TESTED BY A BEND TEST FOR ALL METALS. THE TEST SAMPLE SHALL BE BENT 90 DEGREES TO DETERMINE DEPOSIT ADHESION. TESTING SHALL BE COMPLETED IN ACCORDANCE WITH ASTM SPEC B571.


2. DESIGN - GENERAL:

- A. THIS IS A 100% CAD GENERATED PART. THE CAD MATHEMATICAL DATA IS THE MASTER FOR THIS PART. FOR DIMENSIONAL OR ANY INFORMATION NOT SHOWN ON THIS DRAWING, ANALYZE THE CAD MODEL.
- B. TOLERANCES:
 - 1. LINEAR
 - 0.X ± 0.30
 - 0.XX ± 0.10
 - 0.XXX ± 0.10
 - 2. ANGULAR X° ± 3°
 - 3. 
- C. MINIMUM WALL THICKNESS REQUIRED: 1.3mm.
- D. CORNERS SHOWN AS SHARP TO BE R 0.2 MAX.
- E. LETTERING SHALL BE 0.15 MAX RAISED IN 0.20 MAX RECESS PAD. THIS INCLUDES MATERIAL CODE, RECYCLING CODE, CAVITY ID AND DATE CODE.
- F-1. PARTS MUST BE FREE OF DISCOLORATION, SALT RESIDUE AND OTHER IMPERFECTIONS THAT AFFECT FIT OR FUNCTION.
- F-2. SCRATCHES OR DENTS NOT TO EXCEED 0.013mm IN DEPTH.
- G. FOLLOWING PRODUCTION CODES TO BE PERMANENTLY MARKED & HUMAN READABLE TO A LETTER HEIGHT OF 1.5 ± 0.5MM X 0.3 MAX DEEP
 - 1. MATERIAL #: XXXXX-XXXX
 - 2. DATE CODE: JJYY (JULIAN DAY, LAST DIGIT OF YEAR)
 - 3. INSPECTION MACHINE CODE + SERIAL #: X_XXXXX

3. DESIGN - MANUFACTURING:

- A. DRAFT TO BE WITHIN TOLERANCE.
- B. ALLOWABLE FLASH MAX 0.2 HIGH X MAX 0.13 THICK.
- C. ALLOWABLE PARTING LINE MISMATCH 0.2 MAX.
- D. EJECTOR PINS MARK TO BE FLUSH TO 0.25 MAX DEPRESSED.
- E. ALLOWABLE GATE VESTIGE FLUSH TO 0.25 MAX PROTRUSION.
- F. NO EXTERNAL MOLD RELEASE AGENT ALLOWED DURING MANUFACTURING.
- G. STEEL THAT FORMS THE INDICATED SURFACE MUST BE POLISHED WITH A DIAMOND FINISH (SPI A-2) OVER THE FULL PERIPHERY OF THE TOOL. SURFACE MUST HAVE NO MISMATCH.
- H. ANY PROCESS LUBRICANT REMAINING ON THE TERMINAL MUST NOT VARNISH OR DEGRADE IT'S ELECTRICAL PERFORMANCE UP TO A MAXIMUM CLASS AMBIENT TEMPERATURE PER SAE USCAR-2 FOR 1008 HOURS. PROCESS LUBRICANTS SHOULD BE APPROVED BY THE RESPONSIBLE ENGINEER.
- J. OPTIONAL FEATURES PROVIDED FOR AUTOMATION.
- K. PART MUST BE FREE FROM BURRS AND SHARP EDGES, WHICH MIGHT BE DETRIMENTAL TO SATISFACTORY ASSEMBLY, SAFE HANDLING OR FUNCTION OF PART.
- L. PARTS AS DELIVERED TO ASSEMBLY SHALL BE CLEAN AND FREE OF DEBRIS, RESIDUAL ABRASIVE MATERIAL AND CORROSION PRODUCTS ADVERESLY AFFECTING FUNCTION OR APPEARANCE.
- M. RESTRICTED AND REPORTABLE SUBSTANCES FOR PARTS PER GMW3059.

002C

| | | | | | | | |
|---|------------|----------------|------------|----|-----|-------------|---------|
|  | PAGE TITLE | DRAWING NUMBER | DWG STATUS | | | PAGE NUMBER | |
| | NOTES | | 12642695 | ST | REV | PDI | 6 OF 21 |
| | | | | R | 002 | | |

NOTES: UNLESS OTHERWISE SPECIFIED

4. SYSTEM REQUIREMENTS:

- A. HARNESS CONNECTOR IS COMPATIBLE WITH THE FOLLOWING SAE WIRE SIZE NO'S:
 - 14, MEETING SAE J1128
 - 18, MEETING SAE J1128, MAX O.D. OF 2.06 MM
 - 20, MEETING SAE J1128
 - 22, MEETING SAE J1128, MIN O.D. OF 1.47 MM
- B. CABLE TIE SPECIFICATIONS:
 - 1. CABLE TIE:
 - TENSILE RATING: 220N / (50lbs) MIN
 - TIE LENGTH: 186mm MIN
 - TIE WIDTH: 4.75mm MAX
 - MATERIAL: NYLON
 - 2. INSTALLATION:
 - CABLE TIE TENSION: 190N MIN
 - 3. DRESSED WIRE BUNDLE PACKAGING: SEE FIG. 1
- C. WHEN MATED WITH COMPONENT CONNECTOR INTERFACE AND/OR DRESS COVER, HARNESS CONNECTOR SYSTEM CONFORMS TO THE FOLLOWING:
 - 1. SAE/USCAR-2, REV: 3 APRIL, 2001; CLASS 3
 - 2. FIELD CORRELATED LIFE TEST, SAE/USCAR-20, NOV. 2001
 - 3. GMW #3191 AUGUST 22, 2000 (DRAFT); TEMPERATURE CLASS 3, SEALING CLASS 1, VIBRATION CLASS 2
 - 4. RESTRICTED AND REPORTABLE CHEMICALS PER GMW #3059, REV: D AUGUST 2002
 - 5. TPA USER FORCES (FULLY POPULATED WITH TERMINALS)
 - a. REMOVAL FROM LOCK TO PRE-SET: <=120N
- D. WIRE SPECIFICATIONS:
 - 1. WIRE SURFACE MUST BE FREE OF SCRATCHES, GROOVES OR DENTS WHERE FUNCTIONAL

5. TERMINAL CURRENT RATINGS:

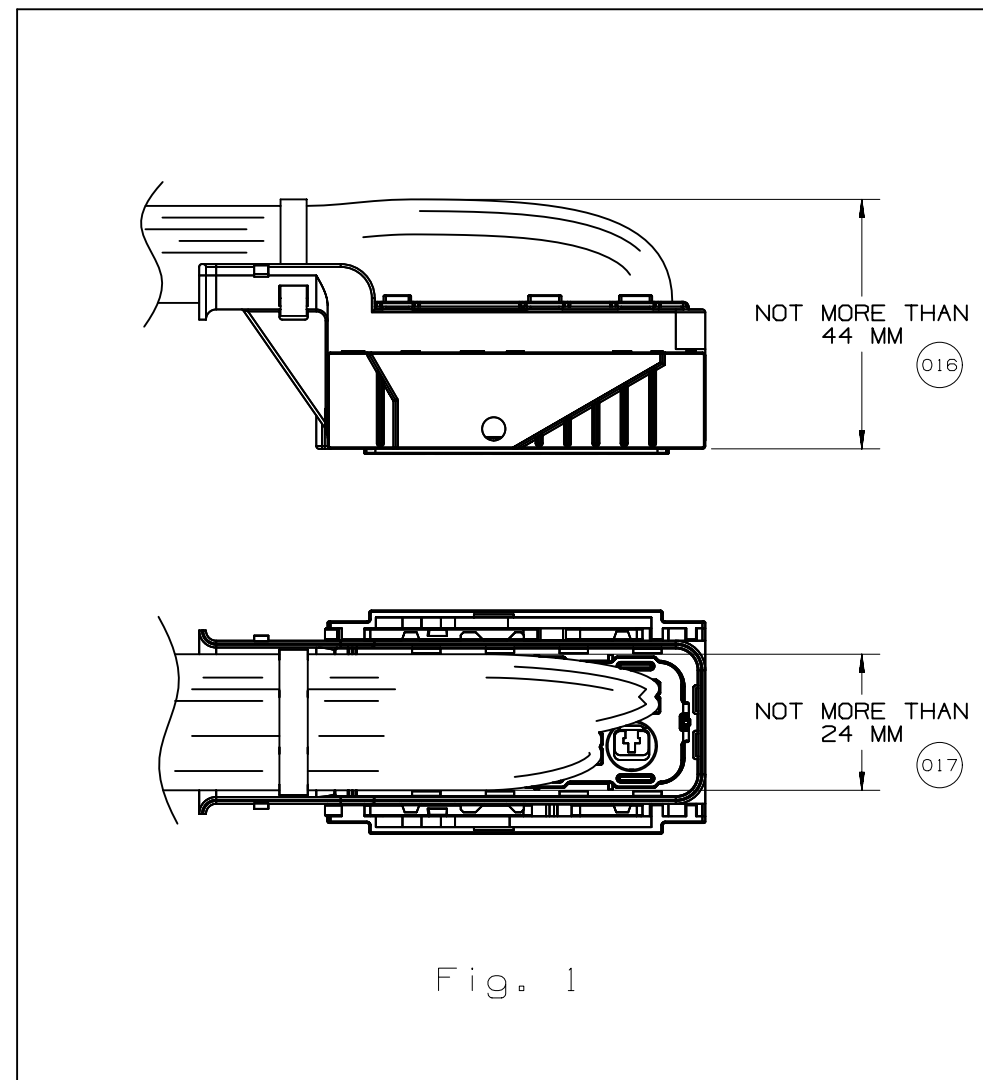
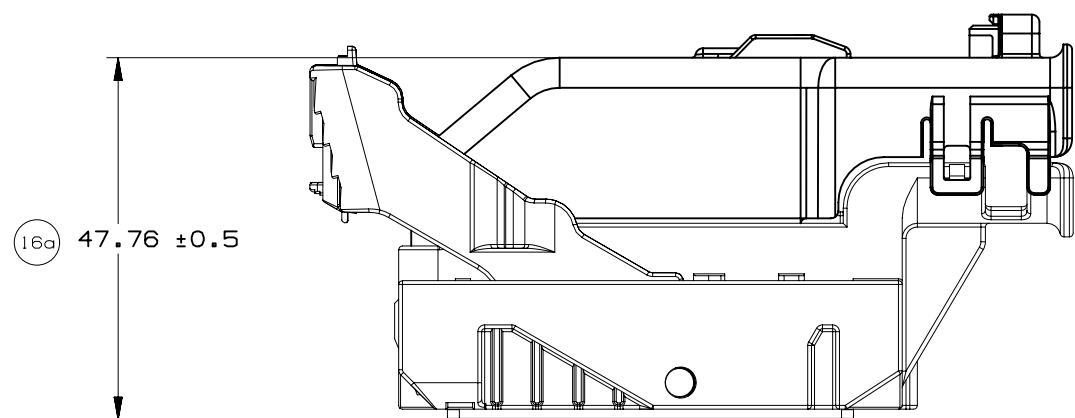
ALL TESTING DONE IN ACCORDANCE WITH USCAR-2 REV5 SECTION 5.3

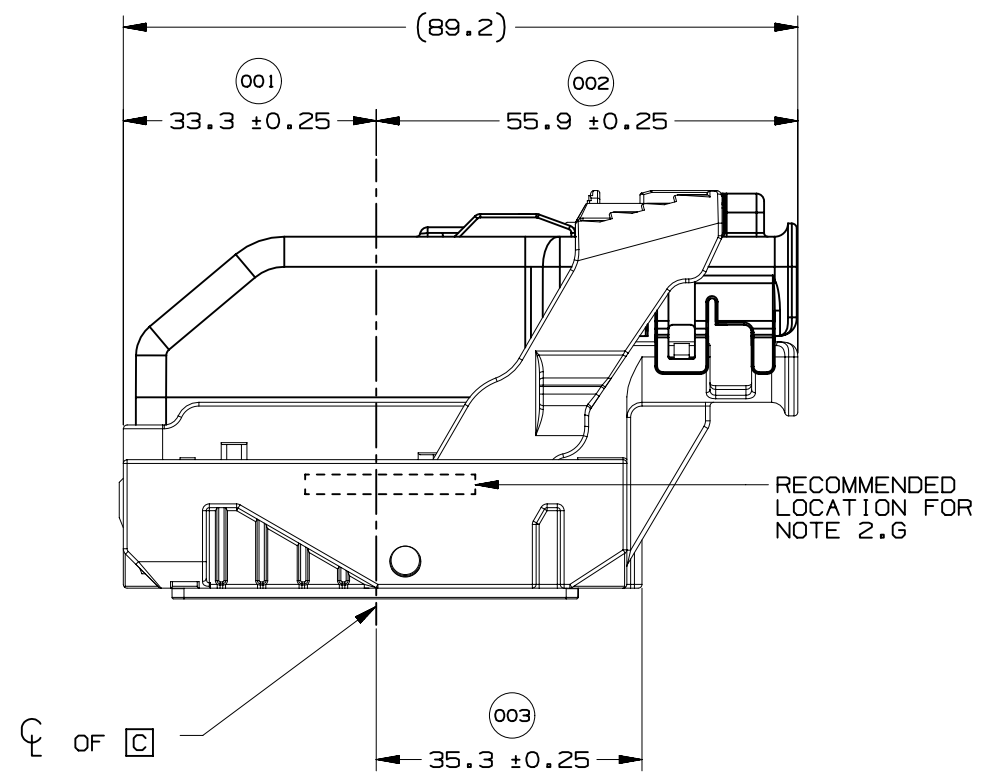
- A. MX64 RCPT TERM
 - 1. MX64 RCPT TERM Ag 18/20 GAGE CRIMPED TO SAE WIRE SIZE NO.18 AND MATED TO MX123 0.64MM PIN: 11.3 AMPS
 - 2. MX64 RCPT TERM Ag 22 GAGE CRIMPED TO SAE WIRE SIZE NO.22 AND MATED TO MX123 0.64MM PIN:8.5 AMPS

| WIRE | CURRENT RATING | | | |
|-------|----------------|-------|-------|-------|
| | 23°C | 85°C | 105°C | 125°C |
| 18AWG | 11.3A | 11.3A | 9.5A | 6.6A |
| 20AWG | 10.0A | 10.0A | 8.3A | 5.7A |
| 22AWG | 8.6A | 8.6A | 7.1A | 5.0A |

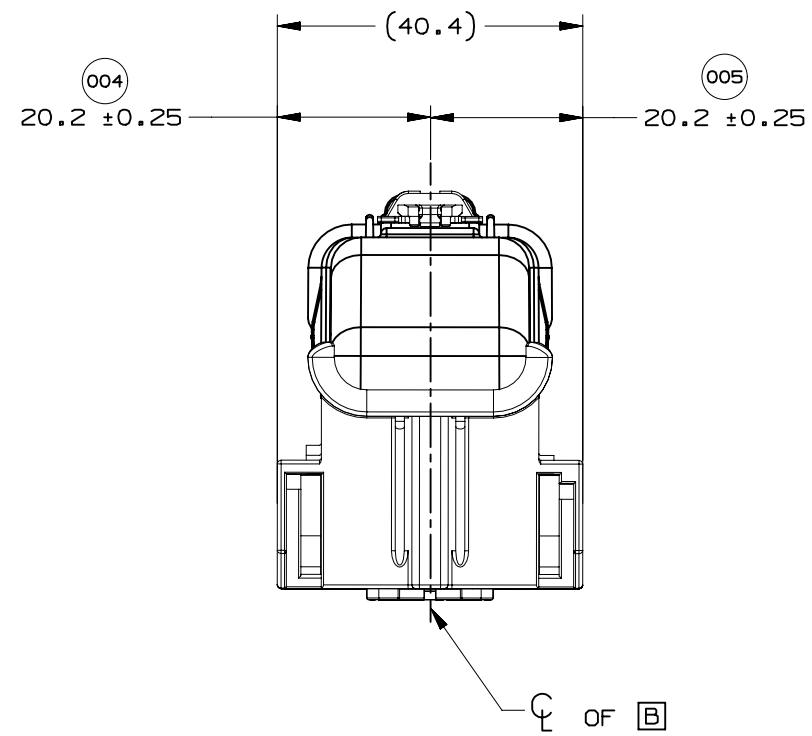
- B. 2.8MM RCPT TERM
 - 1. 2.8MM RCPT TERM TIN 14 GAGE CRIMPED TO SAE WIRE SIZE NO.14 AND MATED TO MX123 2.8MM BLADE: 25.6 AMPS

6. CONTACT MOLEX AUTOMOTIVE FOR AVAILABLE CUSTOM PATTERNS OF CAVITIES OPEN FOR CIRCUITS

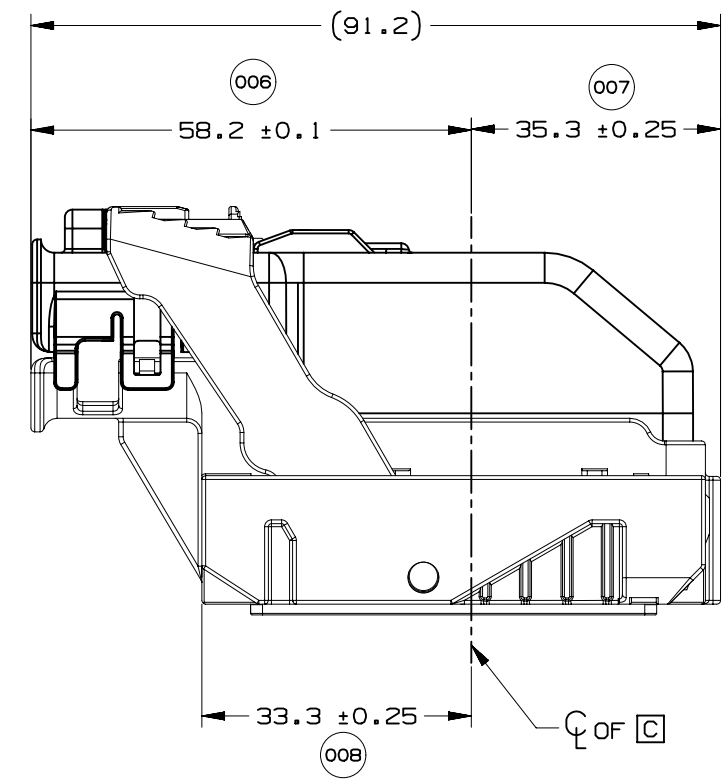




WIRE DRESS OPTION 0 SHOWN

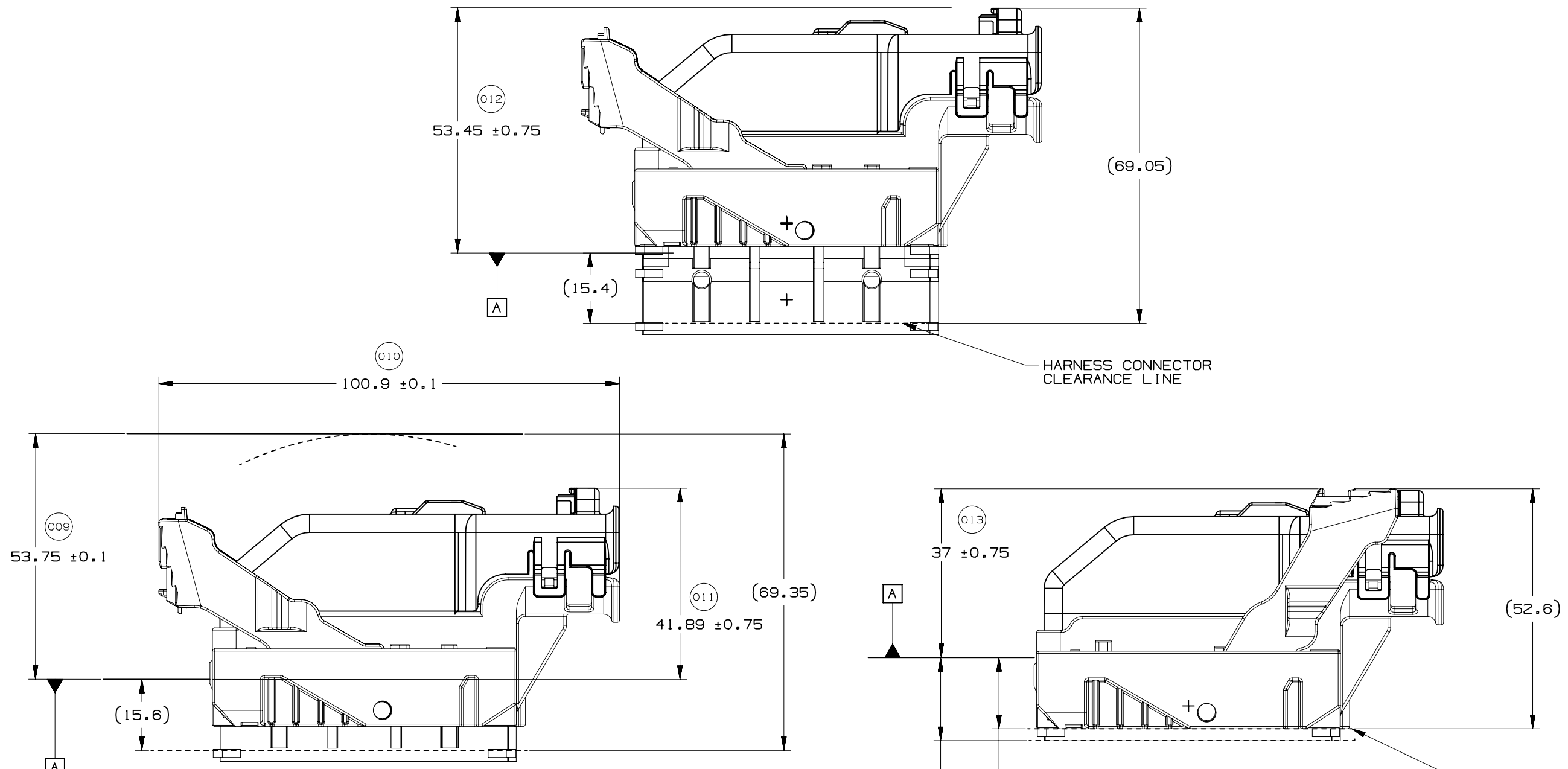


WIRE DRESS OPTION 0 SHOWN



WIRE DRESS OPTION 9 SHOWN





HARNESS CONNECTOR CLEARANCE LINE

HARNESS CONNECTOR ASSEMBLY IN FULLY-MATED POSITION

HARNESS CONNECTOR CLEARANCE LINE

15.6 MIN. ALL AROUND CLEARANCE REQUIRED FOR HARNESS CONNECTOR (014)

17.9 MIN. AT PAD LOCATION CLEARANCE REQUIRED FOR HARNESS CONNECTOR CONSTRUCTION BELOW THIS PLANE IS NOT CONTROLLED (015)

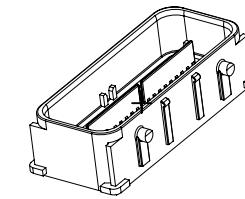
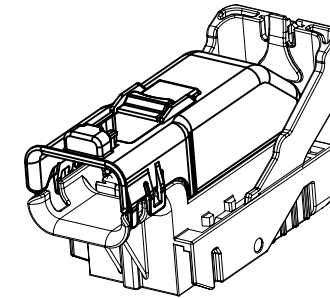
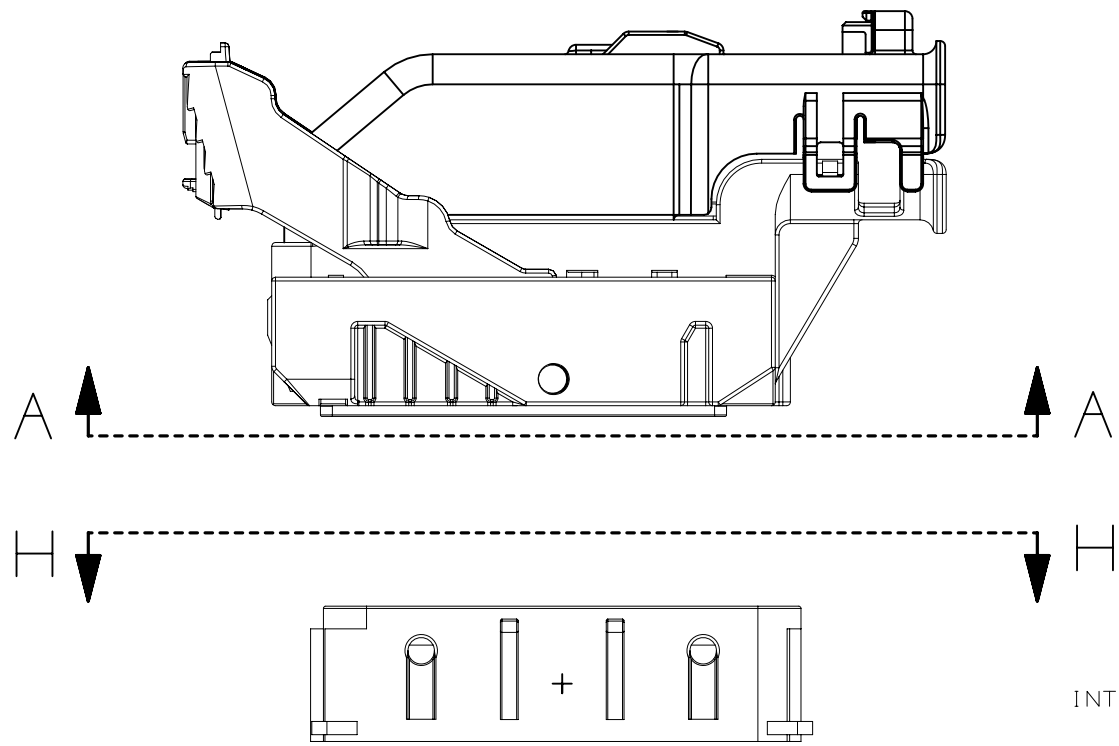


PAGE TITLE
LOCATION AND PACKAGING DIMENSIONS
REFERENCING INTERFACE DATUM A

DRAWING NUMBER
12642695

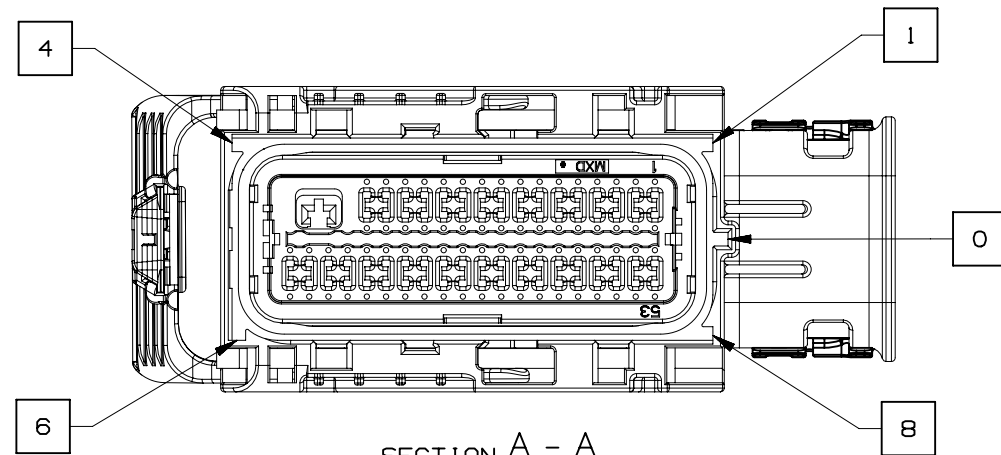
| DWG STATUS | | |
|------------|-----|-----|
| ST | REV | PD1 |
| R | 002 | |

PAGE NUMBER
10 OF 21

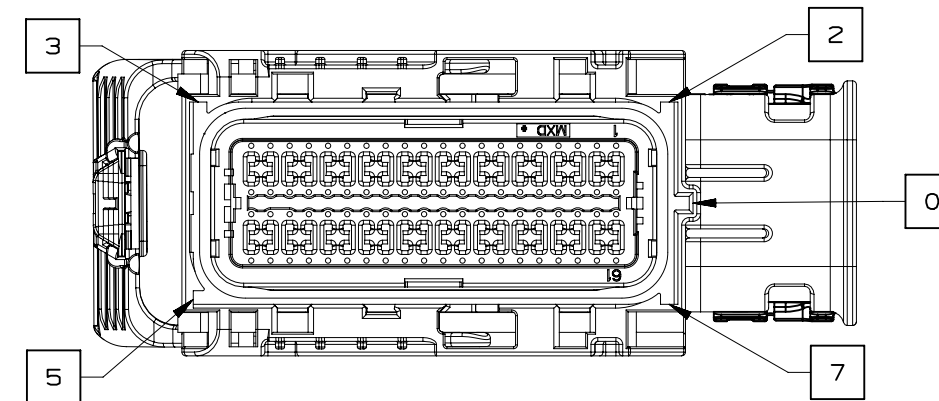


NOTE: REFERENCE THE COMPONENT TABLE FOR KEY OPTIONS AND CONFIGURATIONS

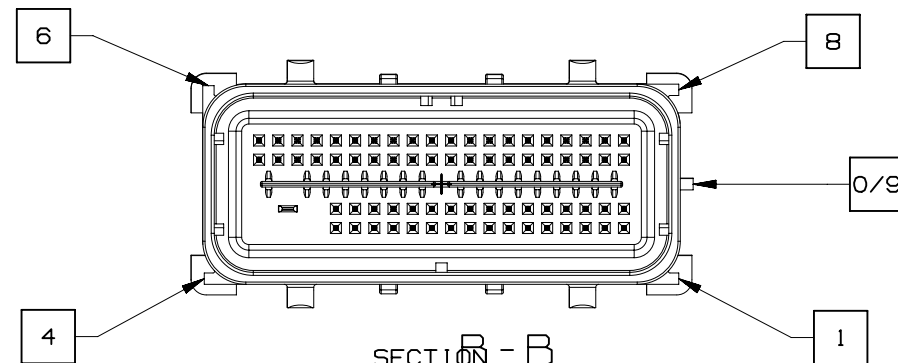
INTERFACE SIDE SHOWN ON ALL SECTION VIEWS



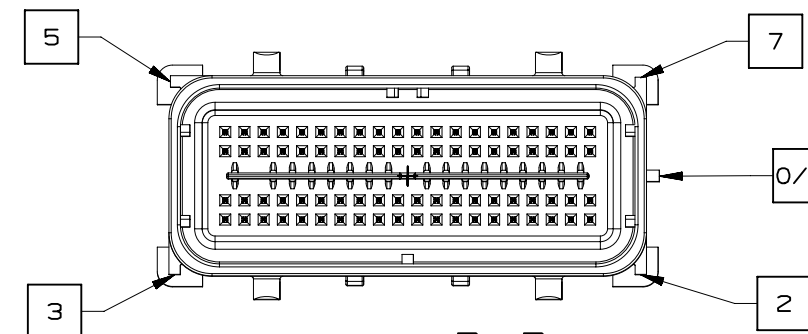
SECTION A - A
KEY OPTION B SHOWN



SECTION A - A
KEY OPTION K SHOWN



SECTION B - B
KEY OPTION B SHOWN



SECTION B - B
KEY OPTION K SHOWN

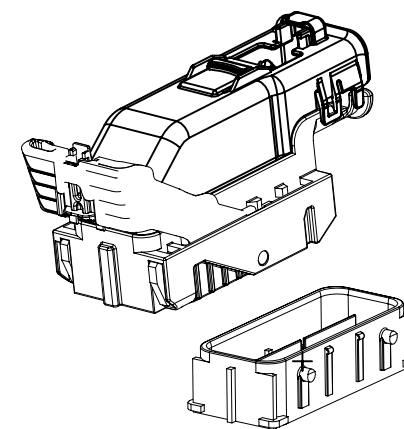
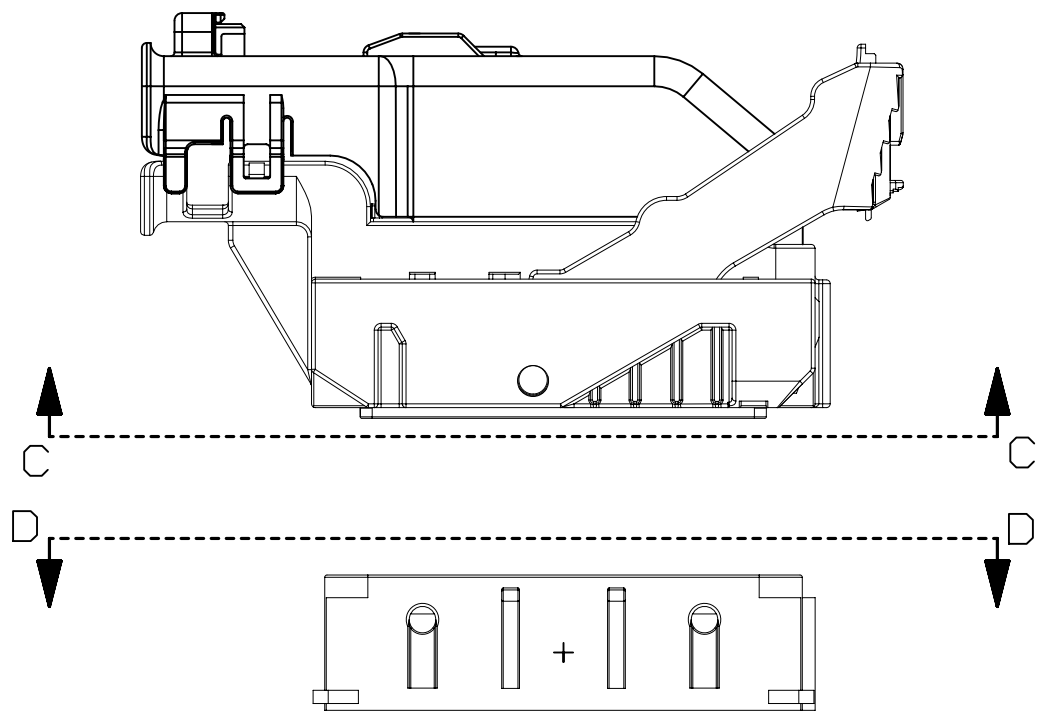


PAGE TITLE
KEY ID REF - WIRE DRESS OPTION 0

DRAWING NUMBER
12642695

| DWG STATUS | | |
|------------|-----|-----|
| ST | REV | PD1 |
| R | 002 | |

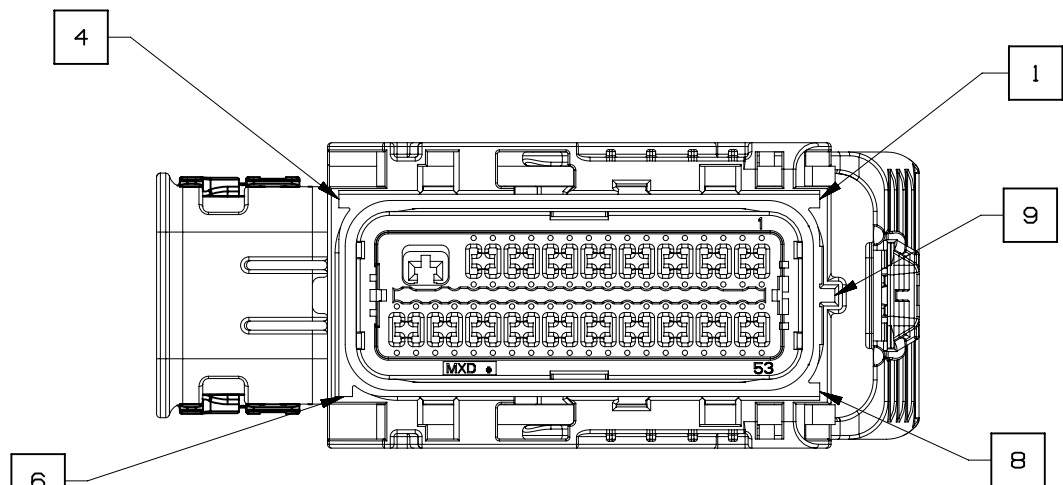
PAGE NUMBER
11 OF 21



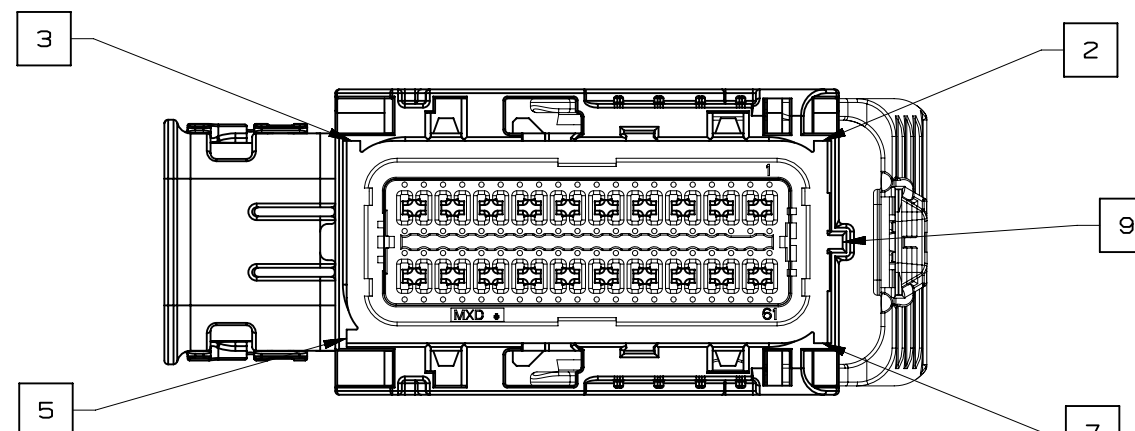
NOTE: REFERENCE THE COMPONENT TABLE FOR KEY OPTIONS AND CONFIGURATIONS

VIEW V

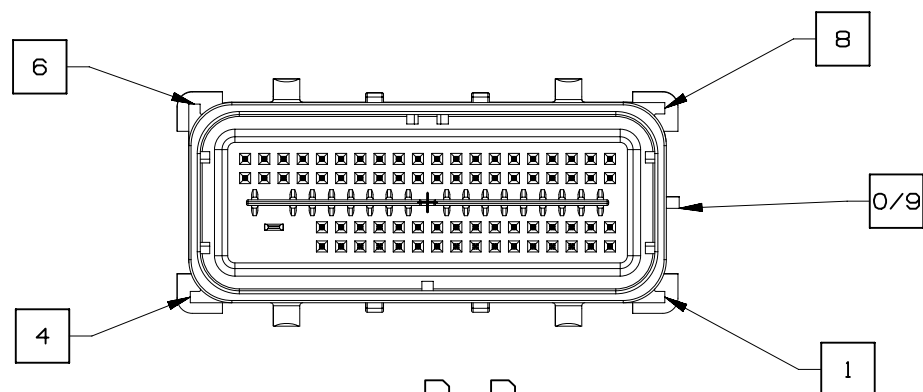
INTERFACE SIDE SHOWN ON ALL SECTION VIEWS



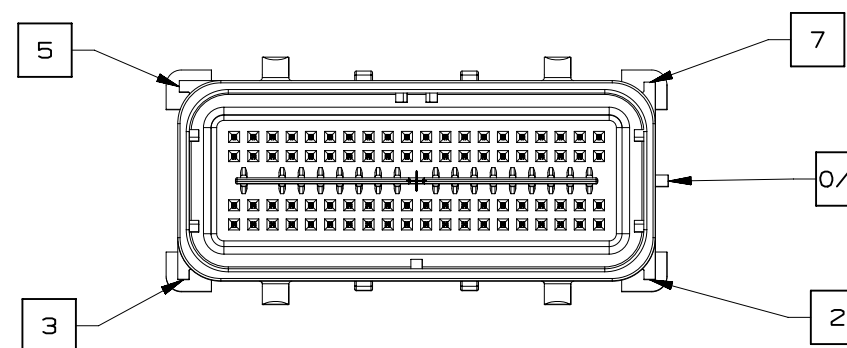
SECTION C-C
KEY OPTION B SHOWN



SECTION C-C
KEY OPTION K SHOWN



SECTION D-D
KEY OPTION B SHOWN



SECTION D-D
KEY OPTION K SHOWN

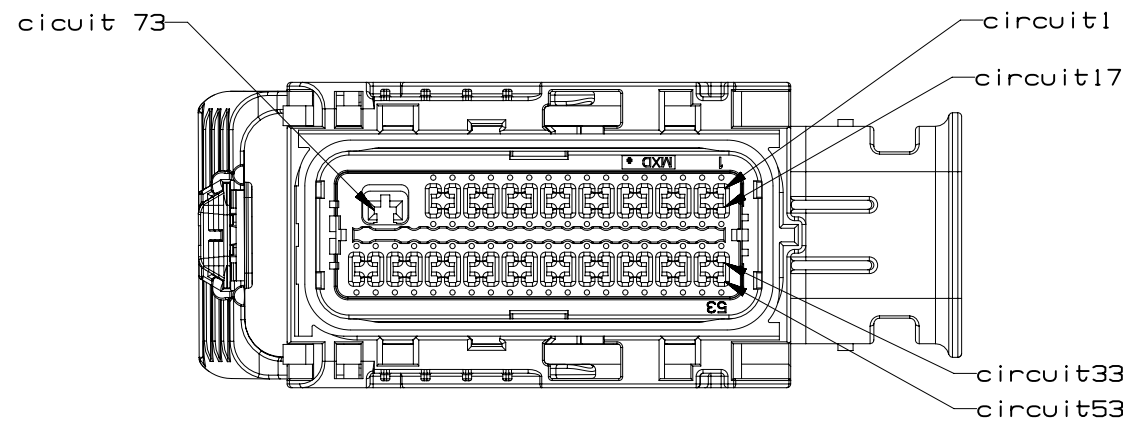


PAGE TITLE
KEY ID REF - WIRE DRESS OPTION 9

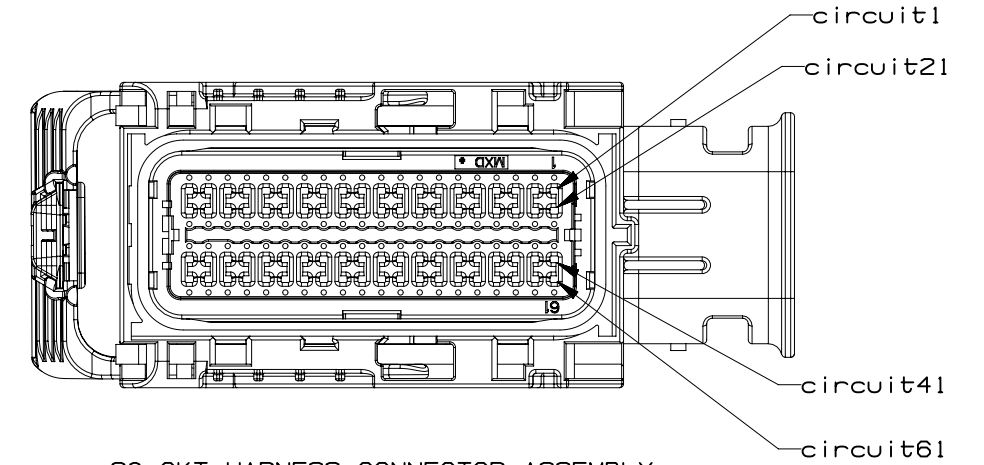
DRAWING NUMBER
12642695

| DWG STATUS | | |
|------------|-----|-----|
| ST | REV | PD1 |
| R | 002 | |

PAGE NUMBER
12 OF 21

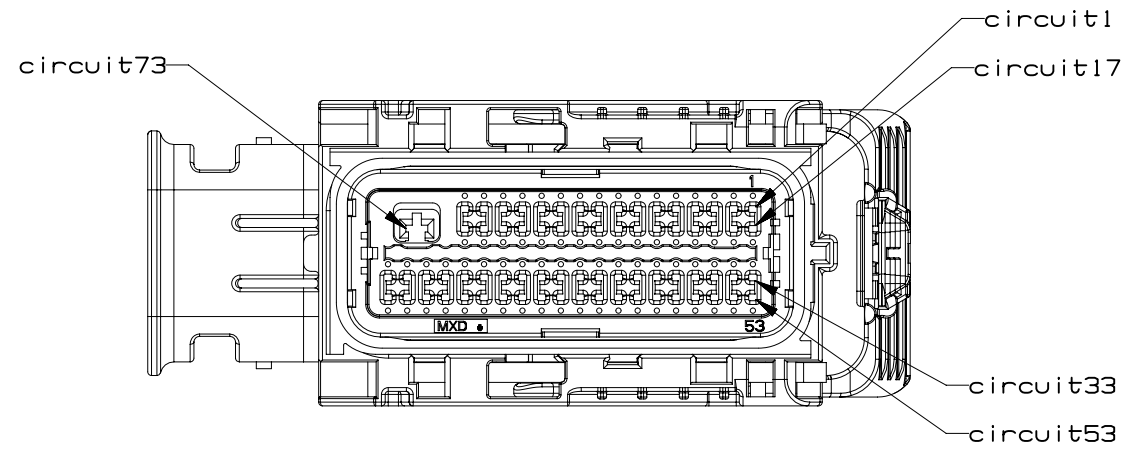


73 CKT HARNESS CONNECTOR ASSEMBLY
WIRE DRESS OPTION 0

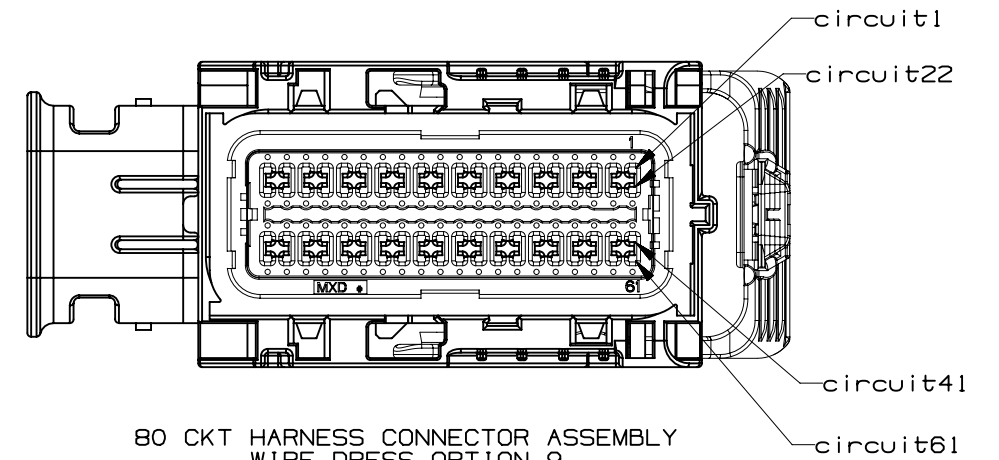


80 CKT HARNESS CONNECTOR ASSEMBLY
WIRE DRESS OPTION 0

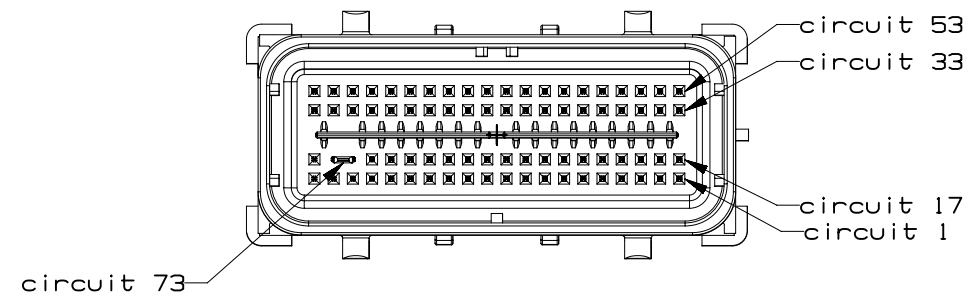
INTERFACE SIDE SHOWN ON ALL VIEWS



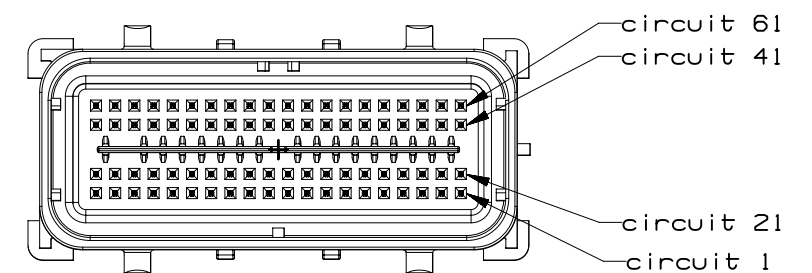
73 CKT HARNESS CONNECTOR ASSEMBLY
WIRE DRESS OPTION 9



80 CKT HARNESS CONNECTOR ASSEMBLY
WIRE DRESS OPTION 9

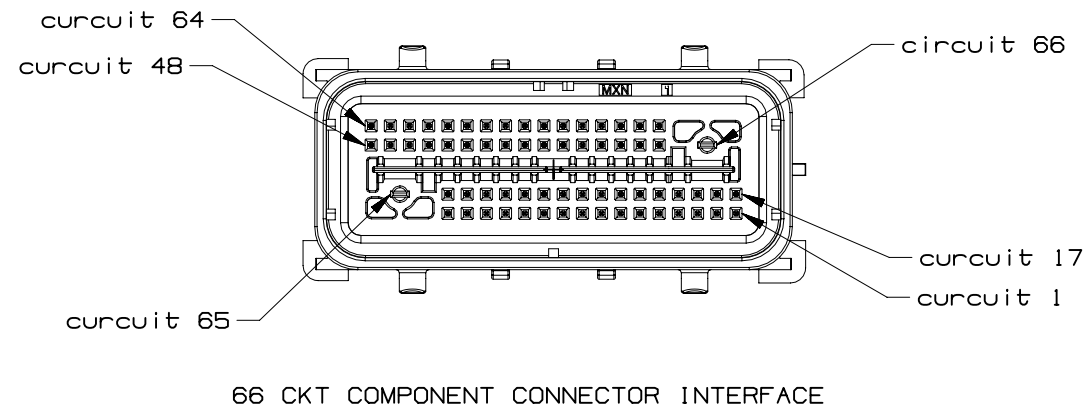
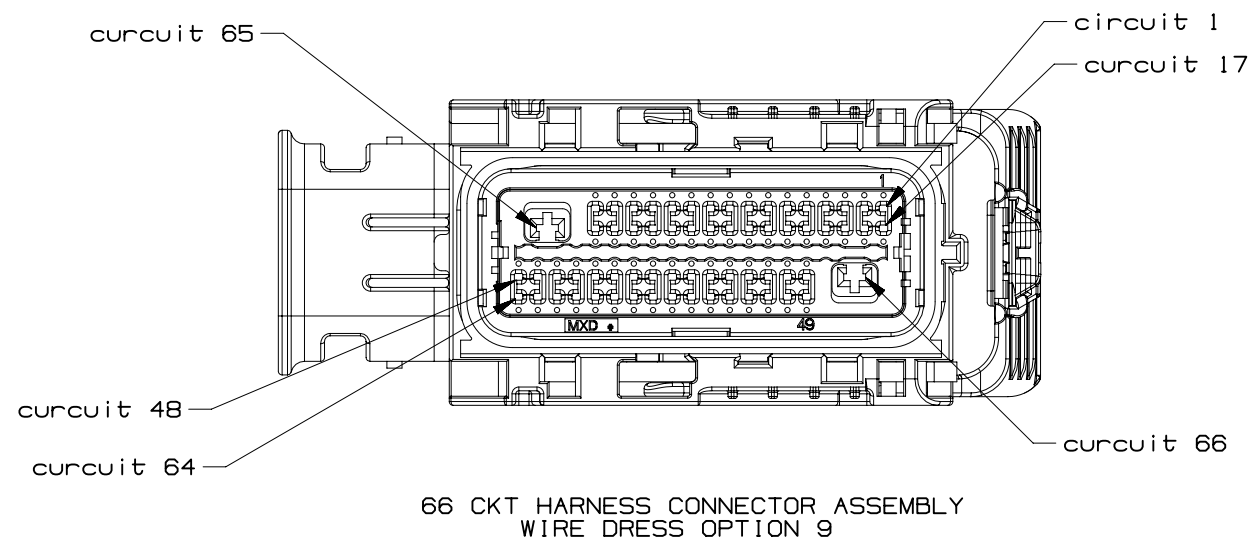
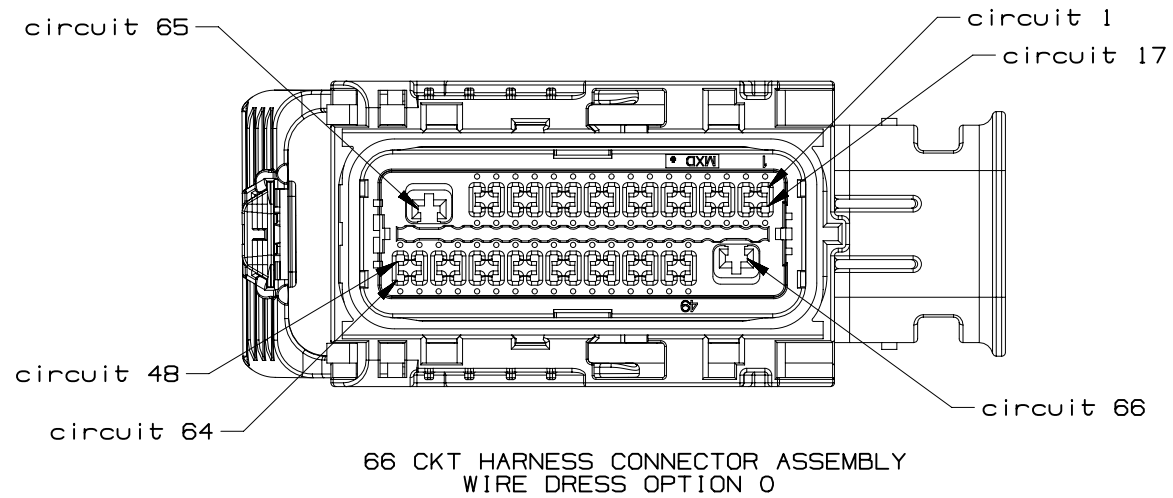


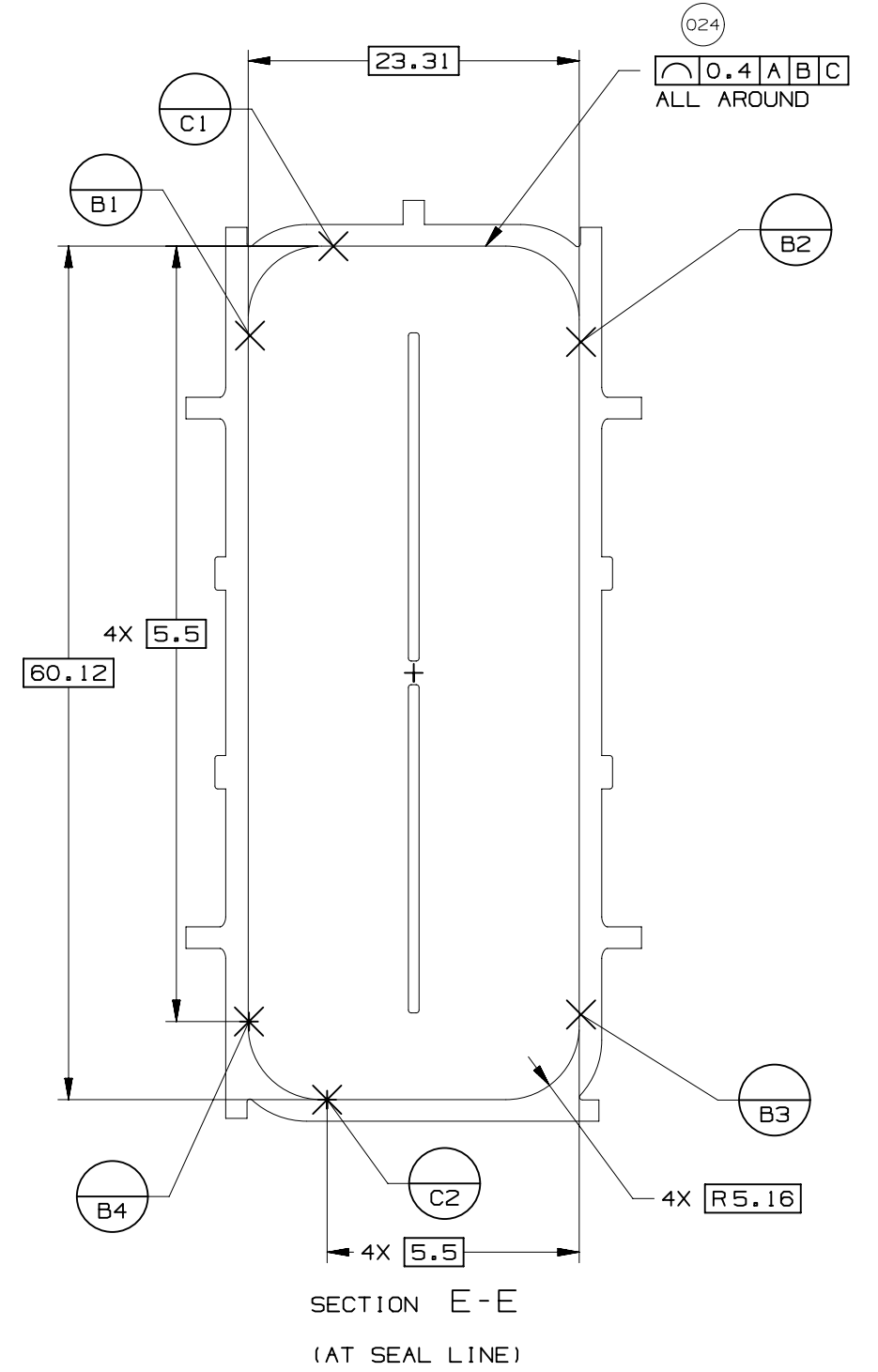
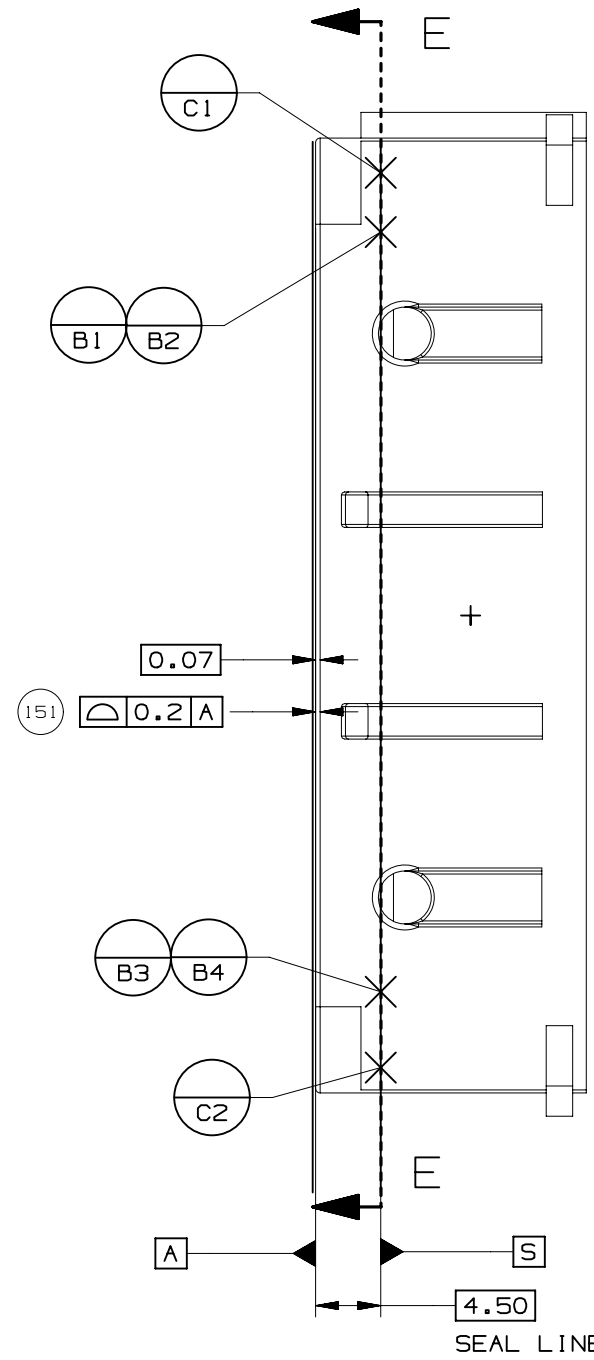
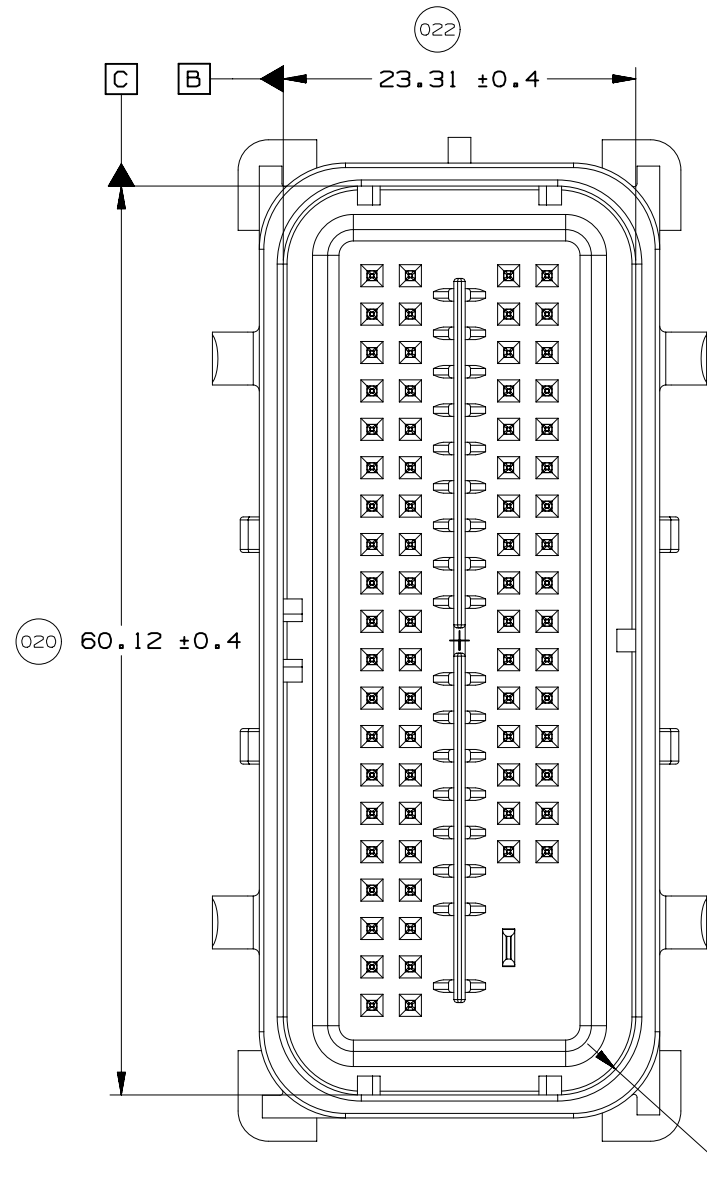
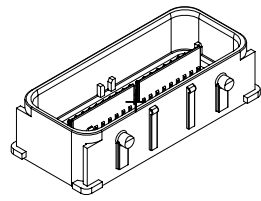
73 CKT COMPONENT CONNECTOR INTERFACE



80 CKT COMPONENT CONNECTOR INTERFACE







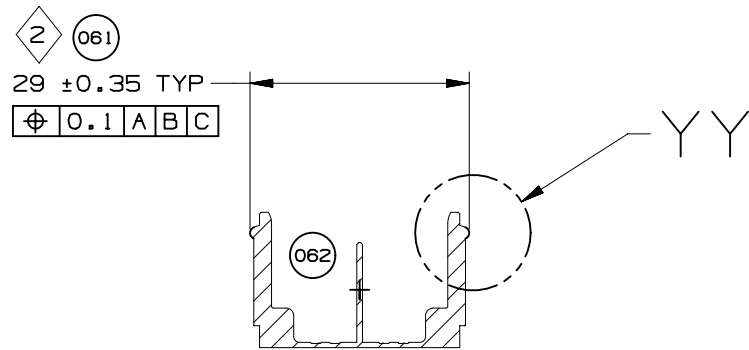
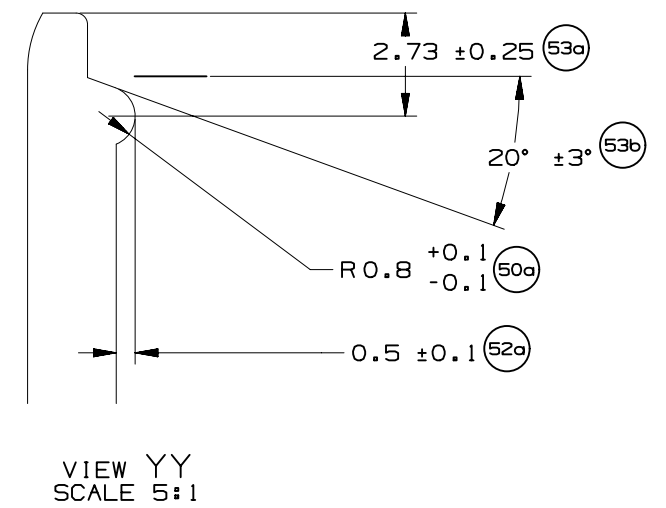
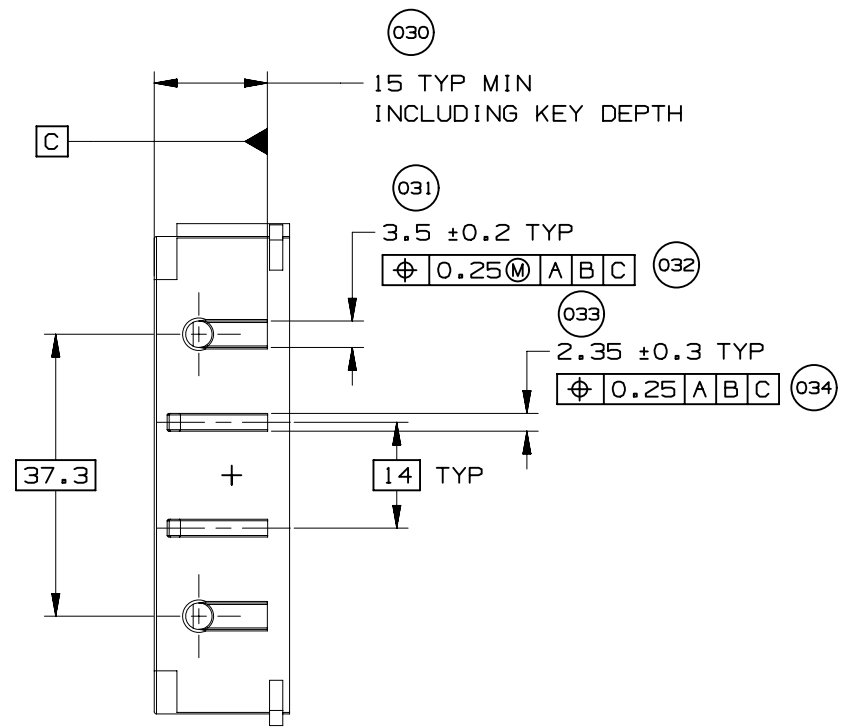
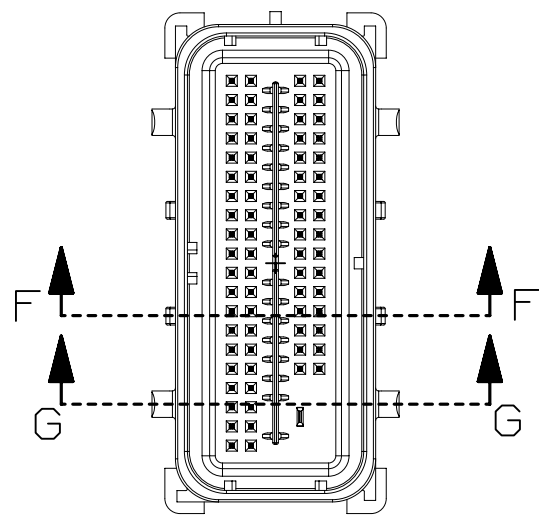
UNLESS SPECIFIED, TOLERANCE OF THE COMPONENT CONNECTOR INTERFACE TO BE $\sqrt[0.13]{A B C}$



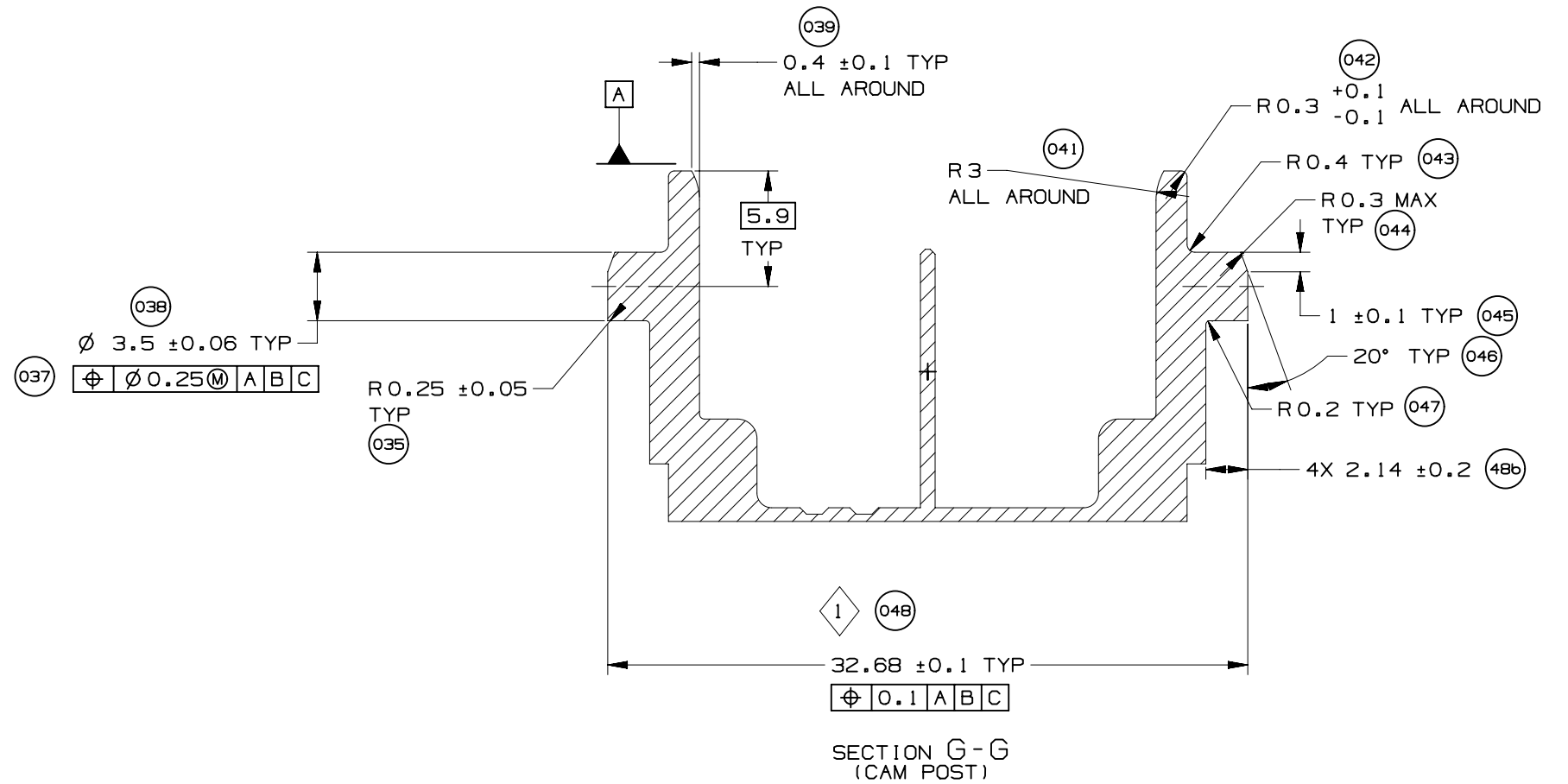
PAGE TITLE
COMPONENT CONNECTOR INTERFACE

DRAWING NUMBER
12642695

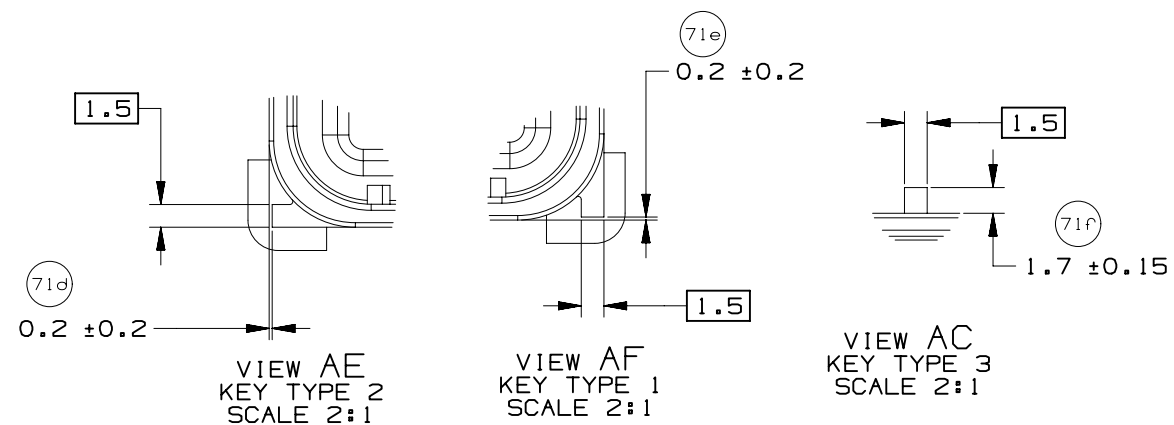
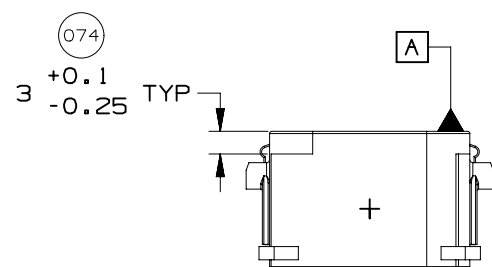
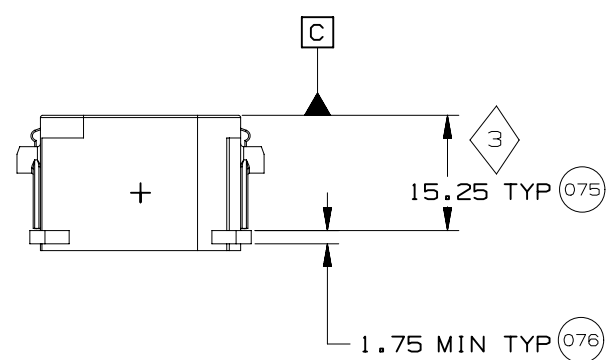
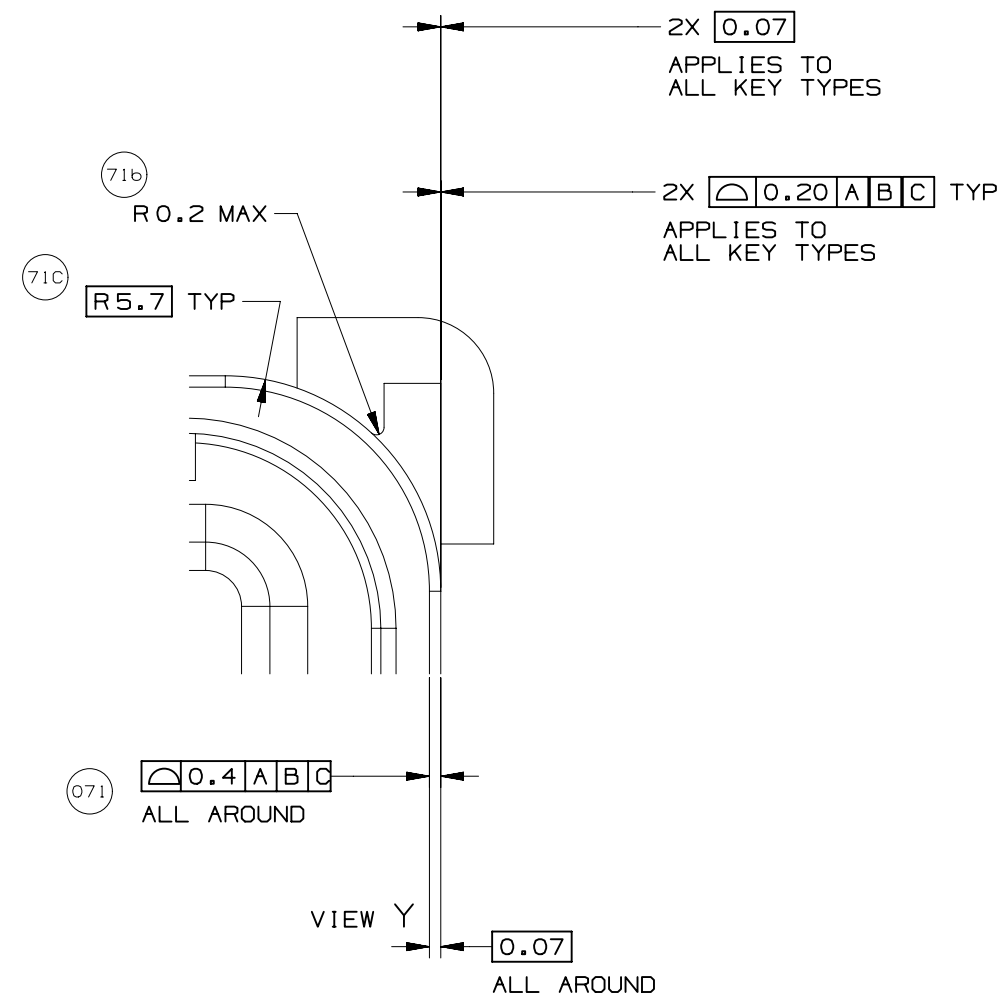
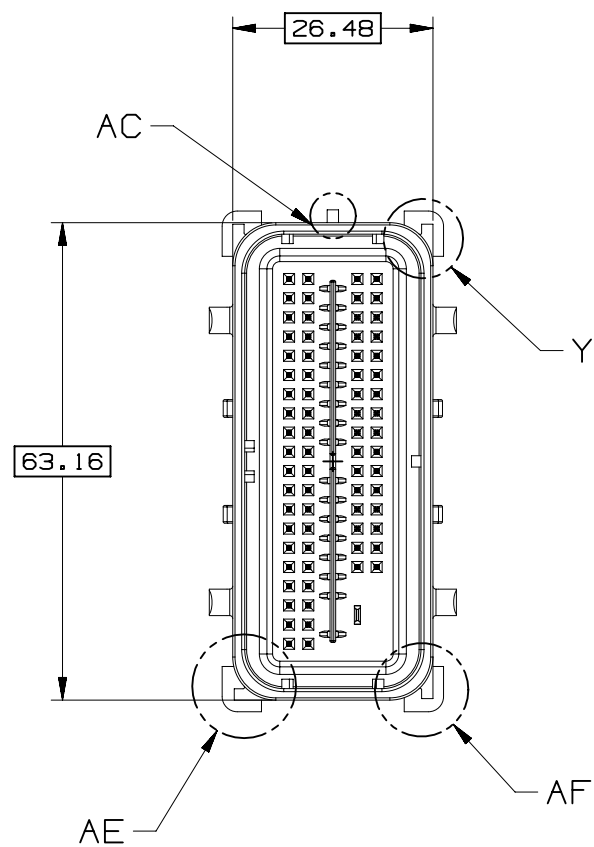
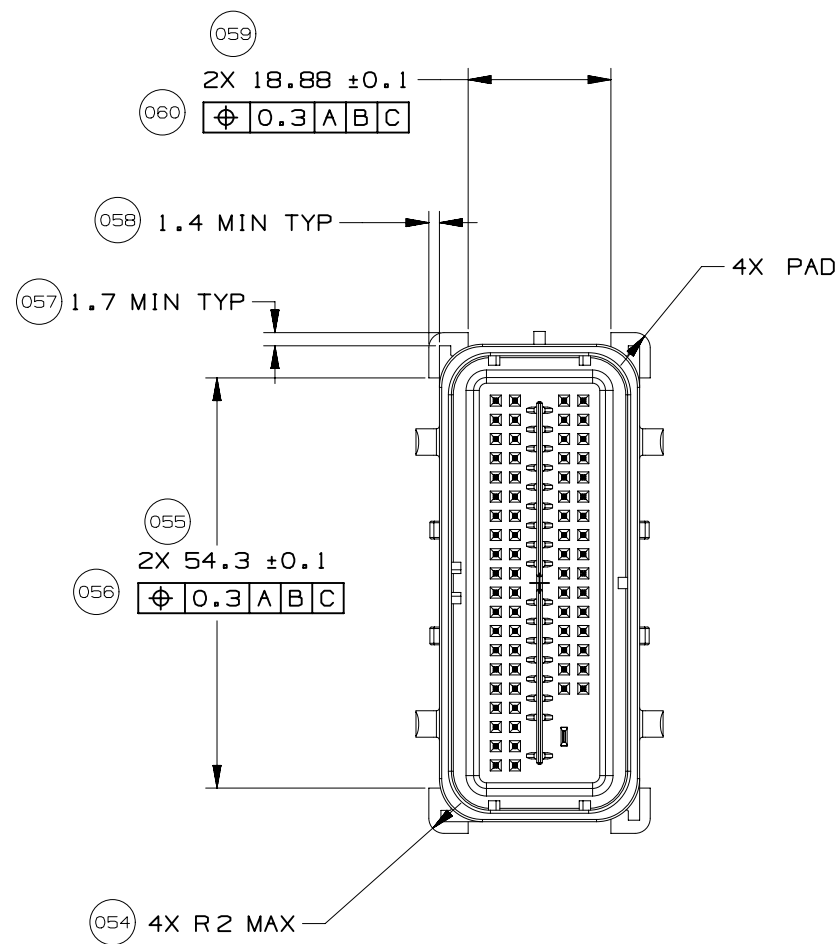
| DWG STATUS | | | PAGE NUMBER |
|------------|-----|-----|-------------|
| ST | REV | PD1 | |
| R | 002 | | 15 OF 21 |



SECTION F-F



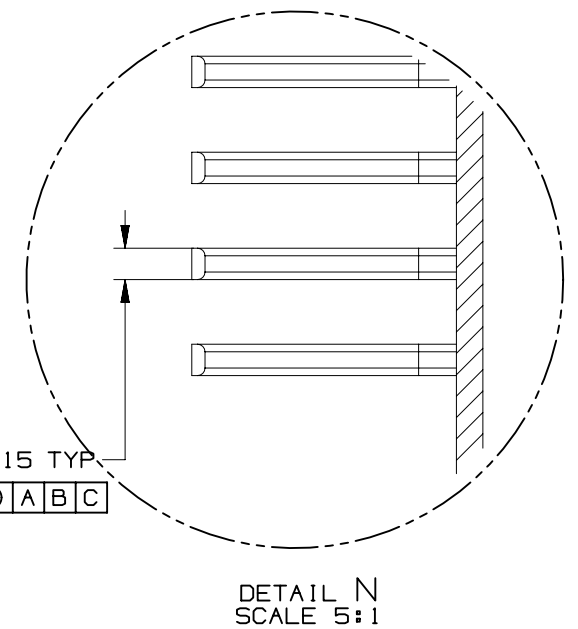
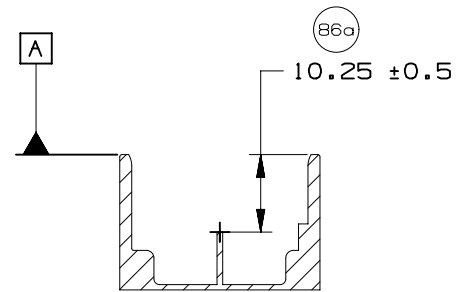
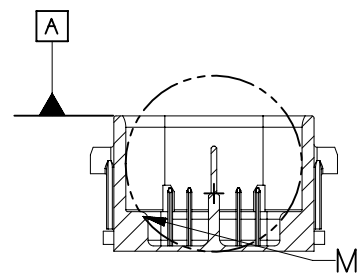
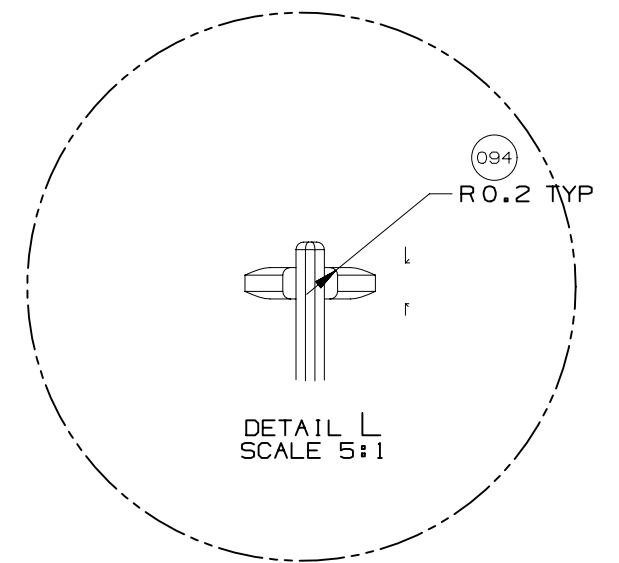
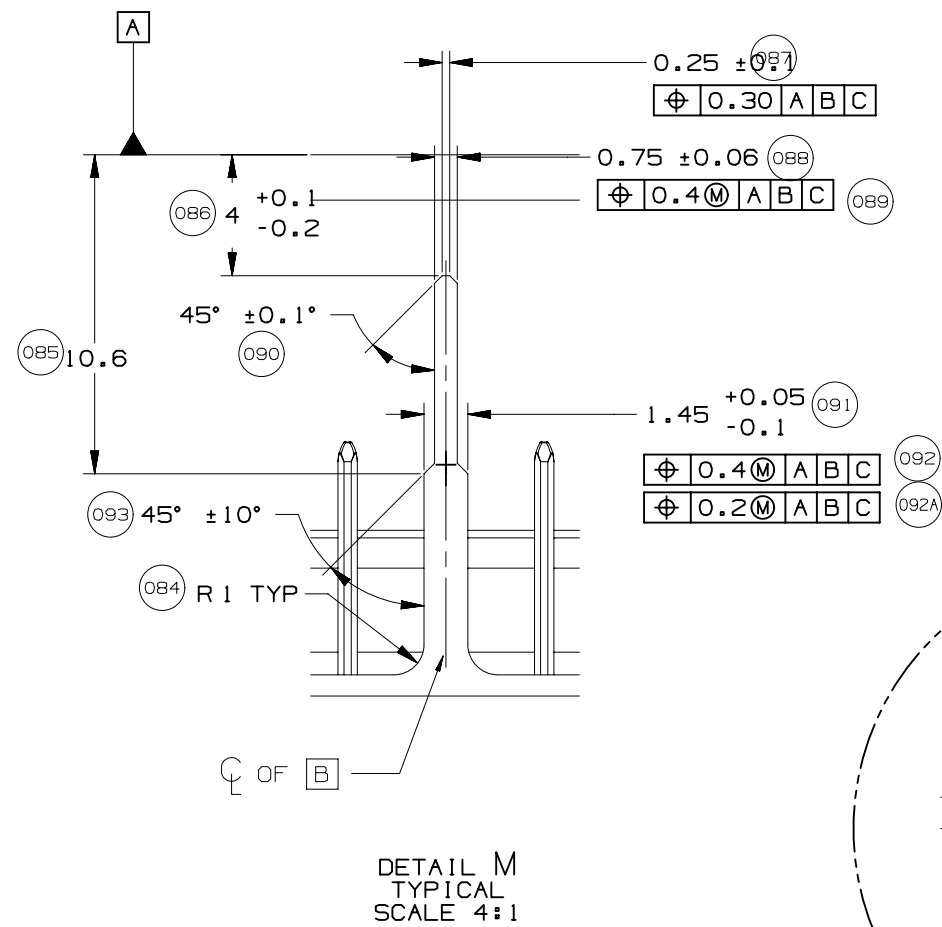
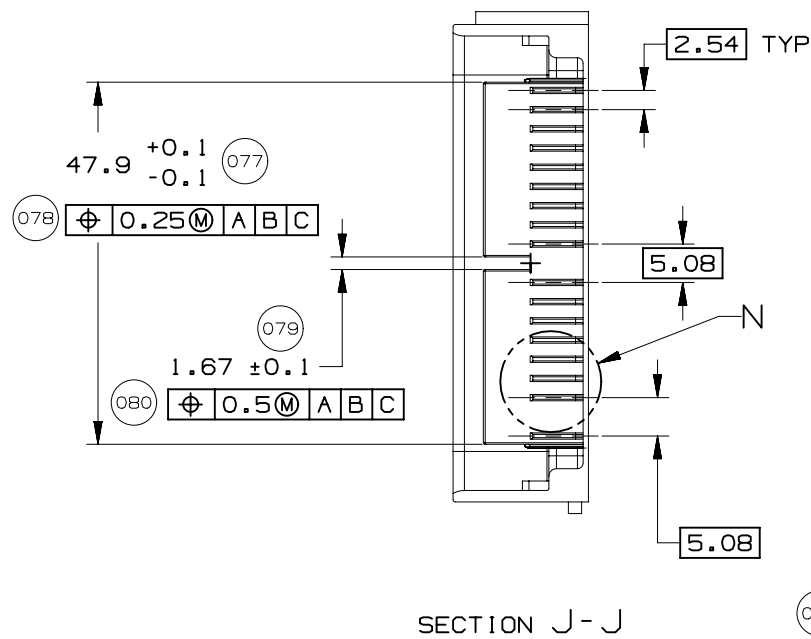
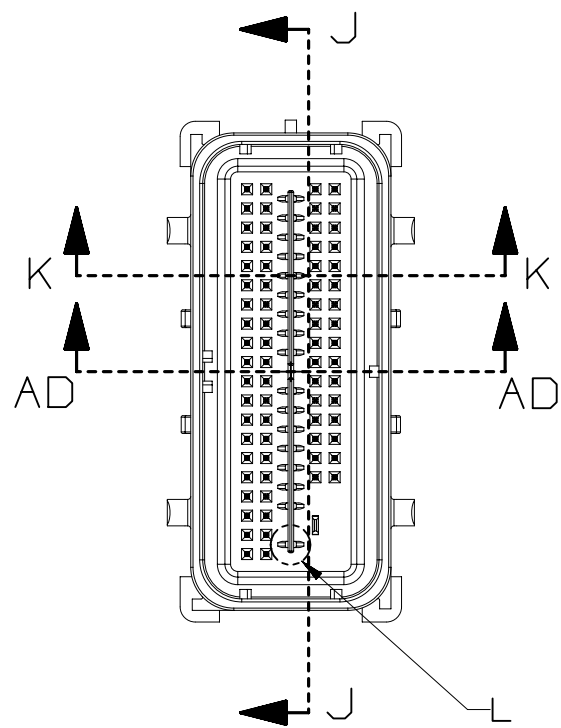
SECTION G-G (CAM POST)

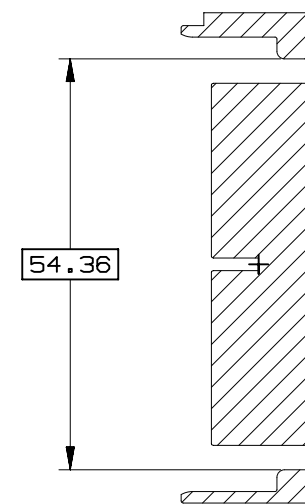
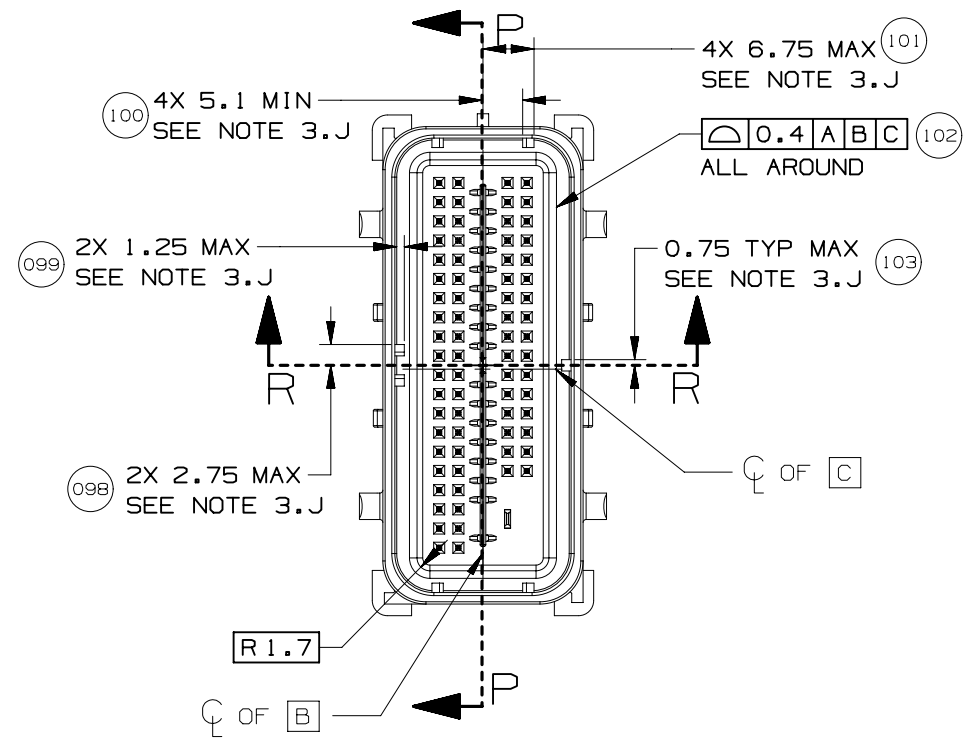


PAGE TITLE
 COMPONENT CONNECTOR INTERFACE

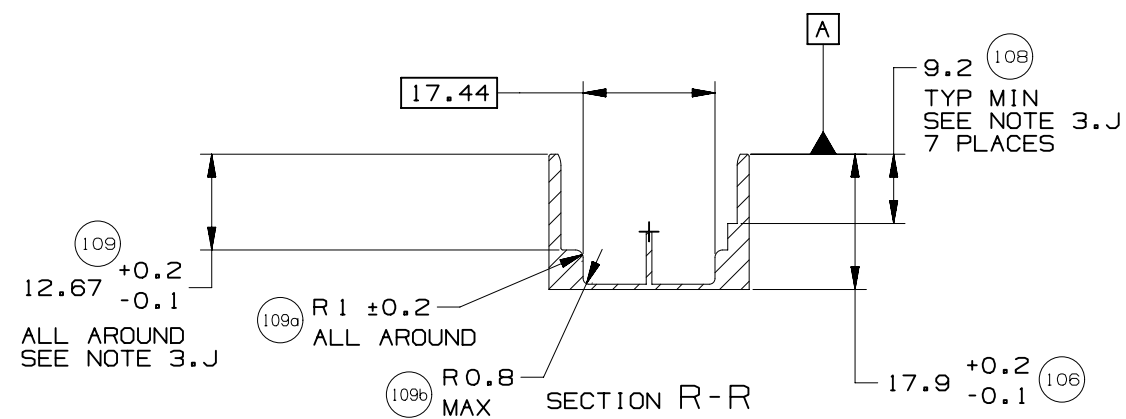
DRAWING NUMBER
 12642695

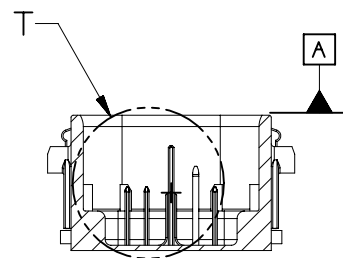
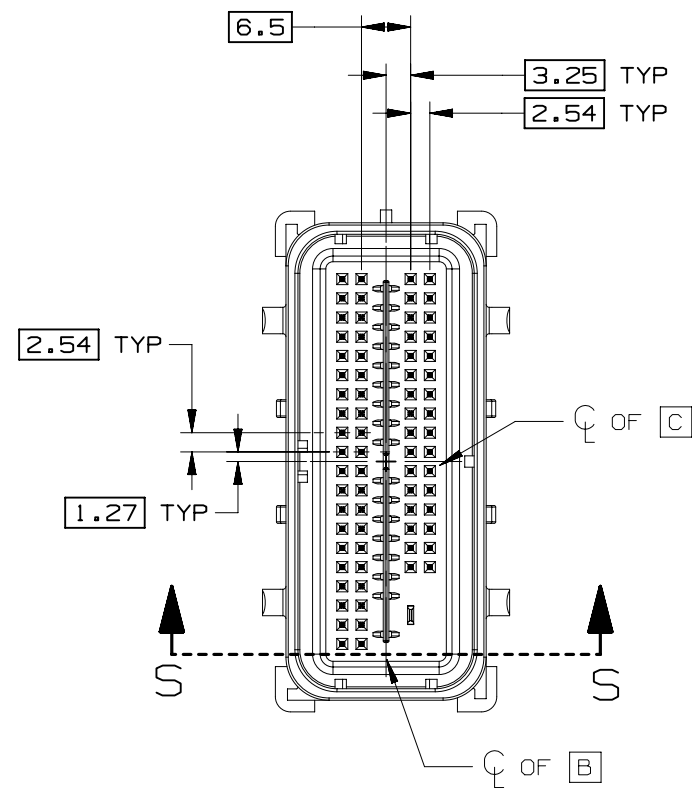
| DWG STATUS | | | PAGE NUMBER |
|------------|-----|-----|-------------|
| ST | REV | PD1 | |
| R | 002 | | 17 OF 21 |



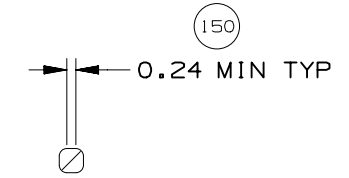
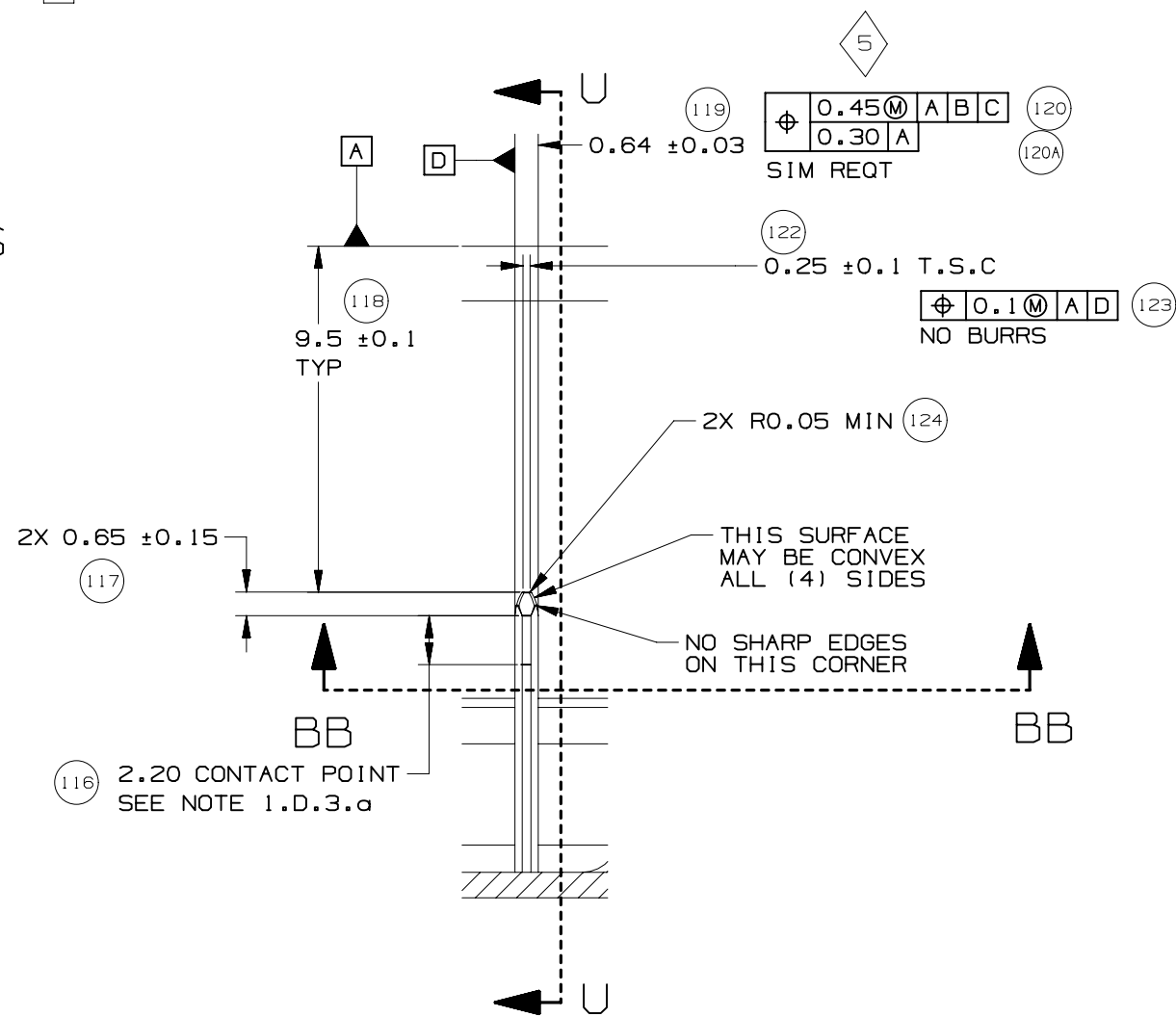


SECTION P-P

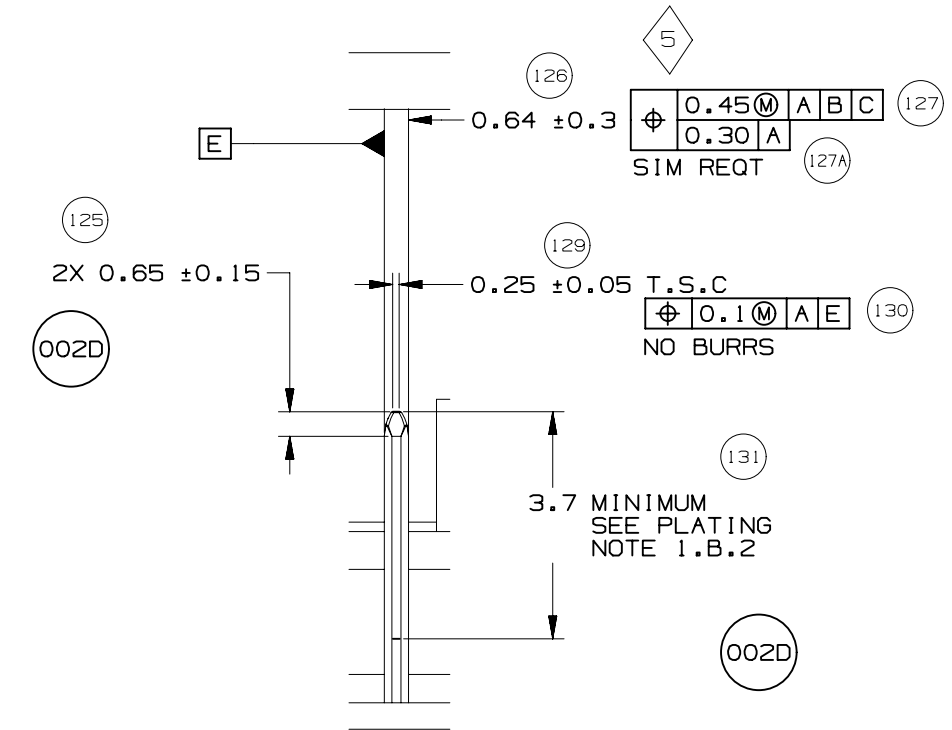




SECTION S-S

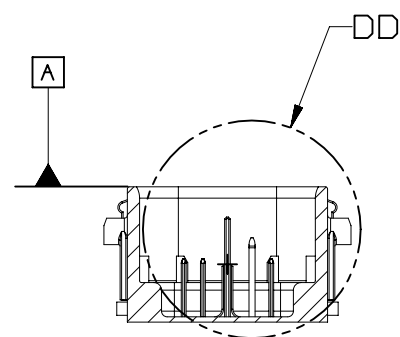
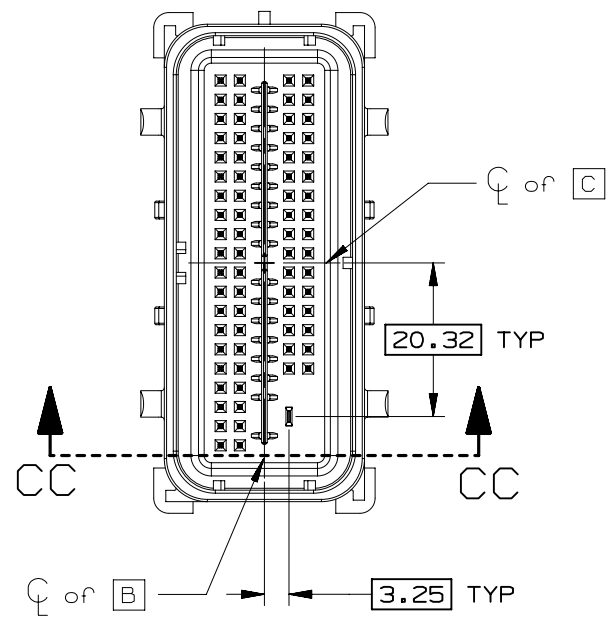


SECTION BB-BB

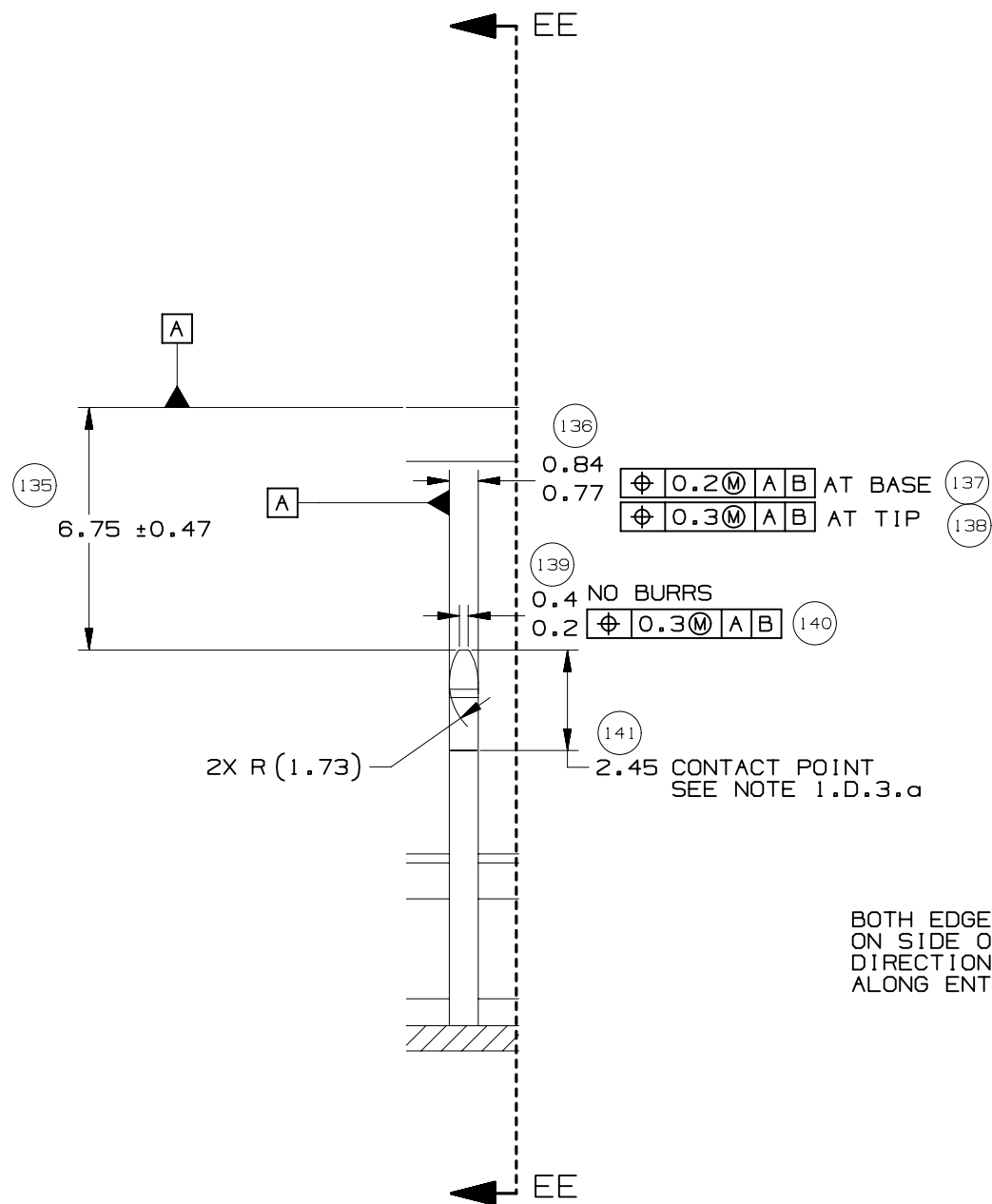


SECTION U-U

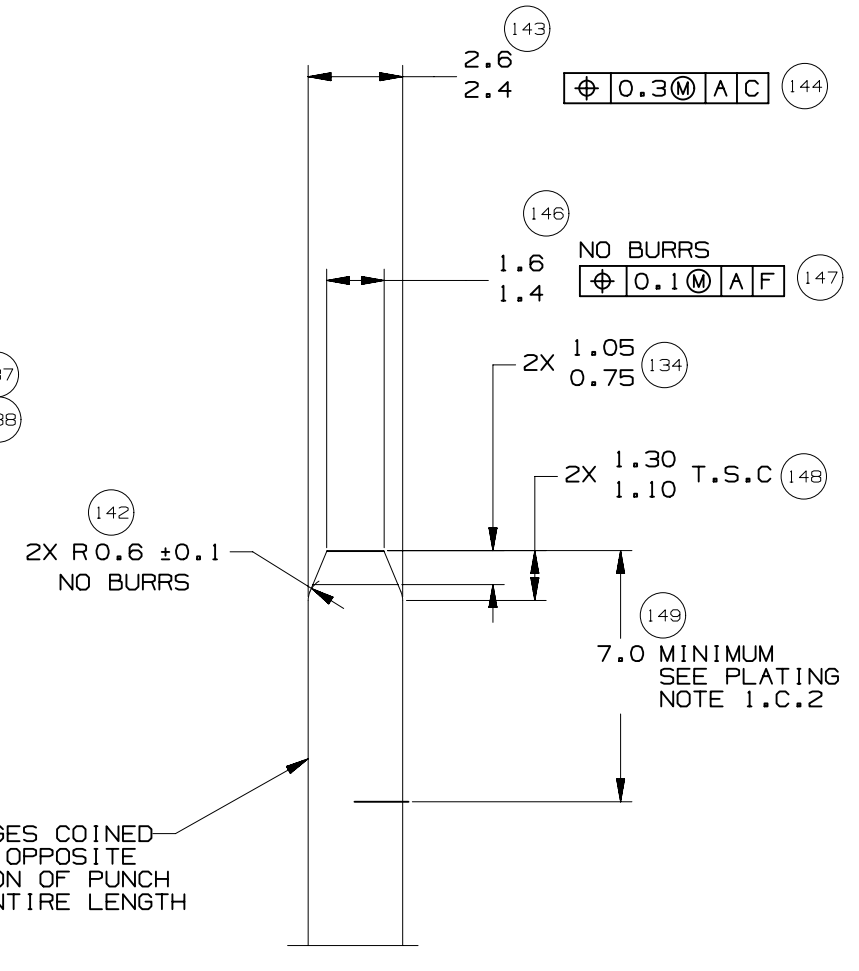




SECTION CC-CC



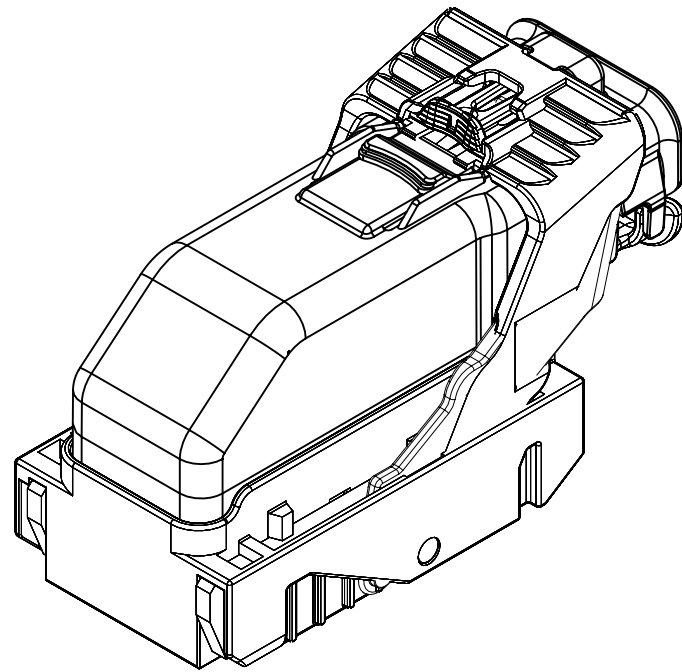
DETAIL DD
TYPICAL
SCALE 5:1




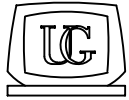
SECTION EE-EE
TYPICAL



| INDEX | |
|---|------|
| PAGE TITLE | PAGE |
| TITLE BLOCK | 1 |
| REVISION BLOCK | 2 |
| PART BLOCK | 3 |
| KPC BLOCK | 4 |
| COMPONENT TABLE | 5 |
| NOTES | 6 |
| NOTES | 7 |
| WIRE DRESS PACKAGING DIMENSIONS | 8 |
| LOCATION AND PACKAGING DIMENSIONS REFERENCING INTERFACE DATUMS B & C | 9 |
| LOCATION AND PACKAGING DIMENSIONS REFERENCING INTERFACE DATUM A | 10 |
| KEY ID REF - WIRE DRESS OPTION 0 | 11 |
| KEY ID REF - WIRE DRESS OPTION 9 | 12 |
| CIRCUIT CONFIGURATIONS | 13 |
| CIRCUIT CONFIGURATIONS | 14 |
| COMPONENT CONNECTOR INTERFACE | 15 |
| COMPONENT CONNECTOR INTERFACE | 16 |
| COMPONENT CONNECTOR INTERFACE | 17 |
| COMPONENT CONNECTOR INTERFACE | 18 |
| COMPONENT CONNECTOR INTERFACE | 19 |
| COMPONENT CONNECTOR INTERFACE | 20 |
| COMPONENT CONNECTOR INTERFACE | 21 |



ISO VIEW

| | | | | | | | | | | |
|---|---|-------------------------------------|---|--|----|-----|-----|---|-----|--|
|  | <p>UNLESS OTHERWISE SPECIFIED: THIS DOCUMENT IS IN ACCORDANCE WITH ASME Y14.5M-1994 AS AMMENDED BY THE GM GLOBAL DIMENSIONING AND TOLERANCING ADDENDUM-1997. ALL GEOMETRIC TOLERANCES AND RELATED DATUMS APPLY RFS. RULE #1 (PERFECT FORM AT MMC) DOES NOT APPLY WHEN A RELATIONSHIP BETWEEN FEATURES IS ESTABLISHED BY ORIENTATION OR LOCATION TOLERANCES. SEPARATE POSITION CALLOUTS MAY BE GAGED SEPARATELY REGARDLESS OF DATUM REFERENCES.</p> | | | DATE | | | | | | |
| |  CHANGE RESTRICTED NO MANUAL CHANGES | REFERENCE 12H (MOLEX AUTOMOTIVE) | DRAFTER J SZYMKOWSKI APVD1 D PFAFFINGER APVD2 B BURT APVD3 APVD4 APVD5 | 22DE05 22DE05 22DE05 | | | | | | |
| DO NOT SCALE | DRAWING NAME HARNESS CONN ASM 66/73/80 CKTS | | | | | | | | | |
| METRIC DIMENSIONS SHOWN IN MILLIMETERS UNLESS OTHERWISE SPECIFIED | DRAWING NUMBER 12642695 | | DWG STATUS <table border="1"> <tr> <td>ST</td> <td>REV</td> <td>PD1</td> </tr> <tr> <td>R</td> <td>002</td> <td></td> </tr> </table> | | ST | REV | PD1 | R | 002 | |
| ST | REV | PD1 | | | | | | | | |
| R | 002 | | | | | | | | | |
| | | | PAGE NUMBER 1 OF 21 | | | | | | | |

| PAGE | DWG STATUS | | | | | REVISION HISTORY | AUTH | DR | CK | ENG |
|------|------------|----|-----|-----|-----|--|--------|-----|-----|-----|
| | DATE | ST | REV | CHG | PDI | | | | | |
| | 19DE11 | R | 001 | | | RELEASED TO PRODUCTION AT DLS A | CRMRJB | SC | MRO | GF |
| 3 | 08MY15 | R | 002 | A | | REORDERED PART BLOCK AND ADDED MASS CORRECTED P/N TYPO FROM 12562676 TO 12582676 | | | | |
| 3, 5 | | R | 002 | B | | ADDED 12659312, 12659313, 12653574 AND 12653575 | | | | |
| 6 | | R | 002 | C | | REMOVED NOTE 1 . D . 3 . C | | | | |
| 20 | | R | 002 | D | | DIM 125 WAS 3.25 DIM 131 WAS 5.5 | CRMRJD | DFK | MRO | GF |

| PAGE | DWG STATUS | | | | | REVISION HISTORY | AUTH | DR | CK | ENG |
|------|------------|----|-----|-----|-----|------------------|------|----|----|-----|
| | DATE | ST | REV | CHG | PDI | | | | | |

KEY PRODUCT CHARACTERISTICS
(IN ACCORDANCE WITH QN 1805 OR ON 1050)



SAFETY/COMPLIANCE

TOTAL ON
DRAWING

5



FIT/FUNCTION

LAST NO.
USED

5

| NO | TYPE | DESCRIPTION | RATIONALE | PAGE/ZONE |
|----|------|---------------------------------|-------------------------------------|-----------|
| 1 | F/F | 32.68 | IMPROVE CONNECTOR SYSTEM MATING | 15 |
| 2 | F/F | 29.00 | INSURE PROPER RELEASE OF LEVER | 15 |
| 3 | F/F | 15.25 | INSURE FINAL MATE POSITION | 16 |
| 5 | F/F | POSITIONAL TOLERANCE (2 PLACES) | INSURE CONNECTOR SYSTEM MATEABILITY | 19 |



PAGE TITLE
KPC BLOCK

DRAWING NUMBER

12642695

DWG STATUS

| | | |
|----|-----|-----|
| ST | REV | PDI |
|----|-----|-----|

| | | |
|---|-----|--|
| R | 002 | |
|---|-----|--|

PAGE NUMBER

4 OF 21

| LINE | MFG. | MFG. P/N | GM P/N | EFFECTIVE DATE | APPLICABLE COMPONENTS | KEY OPTION | WIRE DRESS OPTION | KEY CONFIG. | COLOR | STATUS |
|------|--------|--------------|----------|----------------|---|------------|-------------------|-------------|---------|------------|
| | | | | | DESCRIPTION | | | | | |
| - | | | | | | | | | | |
| 1 | MOLEX | 34565-0003 | 12582676 | 02JN03 | MX123 DRESS COVER 66/73/80 CKT | N/A | N/A | N/A | BLACK | AVAILABLE |
| 2 | MOLEX | 34822-0013 | 12642692 | 01SP13 | MX123 HRNS CONN ASSY 66 CKT | A | 0 | 1458 | BLACK | AVAILABLE |
| 3 | MOLEX | 34822-0033 | 12659312 | 01SP13 | MX123 HRNS CONN ASSY 66 CKT | C | 0 | 2467 | BLUE | AVAILABLE |
| 4 | MOLEX | 34822-0023 | 12642693 | 01SP13 | MX123 HRNS CONN ASSY 66 CKT | A | 9 | 1458 | BLACK | AVAILABLE |
| 5 | MOLEX | 34822-0043 | 12659313 | 01SP13 | MX123 HRNS CONN ASSY 66 CKT | C | 9 | 2467 | BLUE | AVAILABLE |
| 6 | MOLEX | 34566-0103 | 12582677 | 11JN04 | MX123 HRNS CONN ASSY 73 CKT | A | 0 | 1458 | BLACK | AVAILABLE |
| 7 | MOLEX | 34566-0203 | 12582678 | 11JN04 | MX123 HRNS CONN ASSY 73 CKT | B | 0 | 1468 | ST GRAY | AVAILABLE |
| 8 | MOLEX | 34566-0303 | 12615654 | 09AP08 | MX123 HRNS CONN ASSY 73 CKT | C | 0 | 2467 | BLUE | AVAILABLE |
| 9 | MOLEX | 34566-0403 | 12647268 | T.B.D | MX123 HRNS CONN ASSY 73 CKT | D | 0 | 2367 | BROWN | NOT ACTIVE |
| 10 | MOLEX | 34566-0503 | AMJ28633 | T.B.D | MX123 HRNS CONN ASSY 73 CKT | E | 0 | 2468 | GREEN | NOT ACTIVE |
| 11 | MOLEX | 34566-0603 | 12653574 | 05DC14 | MX123 HRNS CONN ASSY 73 CKT | F | 0 | 1357 | NATURAL | AVAILABLE |
| 12 | MOLEX | 34566-0703 | 12588057 | 09AP08 | MX123 HRNS CONN ASSY 80 CKT | G | 0 | 1358 | BLUE | AVAILABLE |
| 13 | MOLEX | 34566-0803 | 12588058 | 11JN04 | MX123 HRNS CONN ASSY 80 CKT | H | 0 | 2458 | ST GRAY | AVAILABLE |
| 14 | MOLEX | 34566-0903 | 12615656 | T.B.D | MX123 HRNS CONN ASSY 80 CKT | J | 0 | 2457 | BLACK | NOT ACTIVE |
| 15 | MOLEX | 34566-1003 | AMJ28595 | T.B.D | MX123 HRNS CONN ASSY 80 CKT | K | 0 | 2357 | BROWN | NOT ACTIVE |
| 16 | MOLEX | 34566-1103 | AMJ29057 | T.B.D | MX123 HRNS CONN ASSY 80 CKT | L | 0 | 2368 | GREEN | NOT ACTIVE |
| 17 | MOLEX | 34566-1203 | AMJ28669 | T.B.D | MX123 HRNS CONN ASSY 80 CKT | M | 0 | 2358 | NATURAL | NOT ACTIVE |
| 18 | MOLEX | 34566-1303 | 12603596 | 11JN04 | MX123 HRNS CONN ASSY 73 CKT | A | 9 | 1458 | BLACK | AVAILABLE |
| 19 | MOLEX | 34566-1403 | 12603597 | 11JN04 | MX123 HRNS CONN ASSY 73 CKT | B | 9 | 1468 | ST GRAY | AVAILABLE |
| 20 | MOLEX | 34566-1503 | 12615655 | 09AP08 | MX123 HRNS CONN ASSY 73 CKT | C | 9 | 2467 | BLUE | AVAILABLE |
| 21 | MOLEX | 34566-1603 | 12647269 | T.B.D | MX123 HRNS CONN ASSY 73 CKT | D | 9 | 2367 | BROWN | NOT ACTIVE |
| 22 | MOLEX | 34566-1703 | AMJ28698 | T.B.D | MX123 HRNS CONN ASSY 73 CKT | E | 9 | 2468 | GREEN | NOT ACTIVE |
| 23 | MOLEX | 34566-1803 | 12653575 | 05DC14 | MX123 HRNS CONN ASSY 73 CKT | F | 9 | 1357 | NATURAL | AVAILABLE |
| 24 | MOLEX | 34566-1903 | 12603598 | 09AP08 | MX123 HRNS CONN ASSY 80 CKT | G | 9 | 1358 | BLUE | AVAILABLE |
| 25 | MOLEX | 34566-2003 | 12603599 | 11JN04 | MX123 HRNS CONN ASSY 80 CKT | H | 9 | 2458 | ST GRAY | AVAILABLE |
| 26 | MOLEX | 34566-2103 | 12615657 | T.B.D | MX123 HRNS CONN ASSY 80 CKT | J | 9 | 2457 | BLACK | NOT ACTIVE |
| 27 | MOLEX | 34566-2203 | AMJ29117 | T.B.D | MX123 HRNS CONN ASSY 80 CKT | K | 9 | 2357 | BROWN | NOT ACTIVE |
| 28 | MOLEX | 34566-2303 | AMJ29136 | T.B.D | MX123 HRNS CONN ASSY 80 CKT | L | 9 | 2368 | GREEN | NOT ACTIVE |
| 29 | MOLEX | 34566-2403 | AMJ29214 | T.B.D | MX123 HRNS CONN ASSY 80 CKT | M | 9 | 2358 | NATURAL | NOT ACTIVE |
| 30 | MOLEX | 34736-2002 | 12642697 | 01AU10 | MX64 RCPT TERM Ag 18/20 GAGE B (RIGHT PAYOFF) | N/A | N/A | N/A | N/A | AVAILABLE |
| 31 | MOLEX | 34736-2001 | 12642696 | 01AU10 | MX64 RCPT TERM Ag 22 GAGE B (RIGHT PAYOFF) | N/A | N/A | N/A | N/A | AVAILABLE |
| 32 | MOLEX | 34586-0001 | T.B.D. | 11JN04 | MX123 0.64MM GROMMET PLUG | N/A | N/A | N/A | NATURAL | AVAILABLE |
| 33 | YAZAKI | 7116-4150-02 | 12588066 | 02JN03 | 2.8mm YESC SEALED FEMALE TERMINAL TIN 20/22 GAGE (CABLE RANGE 0.30mm-0.60mm) | N/A | N/A | N/A | N/A | NOT ACTIVE |
| 34 | YAZAKI | 7116-4151-02 | 12588067 | 02JN03 | 2.8mm YESC SEALED FEMALE TERMINAL TIN 16/18 GAGE (CABLE RANGE 0.75mm-1.40mm) | N/A | N/A | N/A | N/A | NOT ACTIVE |
| 35 | YAZAKI | 7116-4152-02 | 12582685 | 02JN03 | 2.8mm YESC SEALED FEMALE TERMINAL TIN 14 GAGE (CABLE RANGE 1.50mm-2.50mm) | N/A | N/A | N/A | N/A | AVAILABLE |
| 36 | YAZAKI | 7158-3111-60 | 12588068 | 02JN03 | 2.8mm CABLE SEAL (wire O.D. range 1.20mm-1.90mm) | N/A | N/A | N/A | GREEN | NOT ACTIVE |
| 37 | YAZAKI | 7158-3112-70 | 12588069 | 02JN03 | 2.8mm CABLE SEAL (wire O.D. range 1.80mm-2.30mm) | N/A | N/A | N/A | YELLOW | NOT ACTIVE |
| 38 | YAZAKI | 7158-3113-40 | 12582686 | 02JN03 | 2.8mm CABLE SEAL (wire O.D. range 2.18mm-3.00mm) | N/A | N/A | N/A | WHITE | AVAILABLE |
| 39 | YAZAKI | 7158-3114-90 | T.B.D | 02JN03 | 2.8mm YESC CAVITY PLUG | N/A | N/A | N/A | BLUE | AVAILABLE |
| 40 | MOLEX | 63811-4200 | XX019825 | 02JN03 | MX64 TERM HAND CRIMP TOOL | N/A | N/A | N/A | N/A | AVAILABLE |
| 41 | MOLEX | 63813-1400 | XX019826 | 02JN03 | MX64 TERM SERVICE TOOL | N/A | N/A | N/A | N/A | AVAILABLE |
| 42 | MOLEX | 63865-8000 | XX019827 | 02JN03 | MX64 CRIMP APPLICATOR with TOOL KIT 18/20 GAGE PAYOFF DIRECTION D (left payoff) (contact Molex for payoff detail) | N/A | N/A | N/A | N/A | AVAILABLE |
| 43 | MOLEX | 63865-8070 | XX019828 | 02JN03 | MX64 APPLICATOR TOOL KIT 18/20 GAGE | N/A | N/A | N/A | N/A | AVAILABLE |
| 44 | MOLEX | 63865-8100 | XX019829 | 02JN03 | MX64 CRIMP APPLICATOR with TOOL KIT 22 GAGE PAYOFF DIRECTION D (left payoff) (contact Molex for payoff detail) | N/A | N/A | N/A | N/A | AVAILABLE |
| 45 | MOLEX | 63865-8170 | XX019830 | 02JN03 | MX64 APPLICATOR TOOL KIT 22 GAGE | N/A | N/A | N/A | N/A | AVAILABLE |
| 46 | SPX | J35616-64 | T.B.D. | 02JN03 | 0.64mm PROBE TOOL (for rcpt) | N/A | N/A | N/A | N/A | AVAILABLE |
| 47 | SPX | J35616-64A | T.B.D. | 02JN03 | 0.64mm PROBE TOOL WITH EXT (for rcpt) | N/A | N/A | N/A | N/A | AVAILABLE |
| 48 | SPX | J35616-65 | T.B.D. | 02JN03 | 0.64mm PROBE TOOL WITH EXT (for pin) | N/A | N/A | N/A | N/A | AVAILABLE |
| 49 | SPX | J35616-4A | T.B.D. | 02JN03 | 2.8mm PROBE TOOL (for rcpt) | N/A | N/A | N/A | N/A | AVAILABLE |
| 50 | YAZAKI | X39899-J374 | 12094430 | 02JN03 | 2.8mm TERM SERVICE TOOL | N/A | N/A | N/A | N/A | AVAILABLE |

002B

* - MX123 DRESS COVER 73/80/66 CKT MATES TO ANY MX123 HARN CONN ASSY SHOWN ON TABLE ABOVE



PAGE TITLE
COMPONENT TABLE

DRAWING NUMBER
12642695

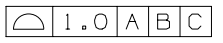
| DWG STATUS | | | PAGE NUMBER |
|------------|-----|-----|-------------|
| ST | REV | PD1 | |
| R | 002 | | 5 OF 21 |

NOTES: UNLESS OTHERWISE SPECIFIED

1. MATERIAL FOR INTERFACE:

- A. RESIN:
 - 1. 30% G.F. PBT; 20% MAX. (BY WEIGHT) REGRIND.
 - 2. MATING CONNECTOR INTERFACE PART COLOR MUST BE SAME AS MATCHING KEYED HARNESS CONNECTOR ASSEMBLY.
 - 3. MUST BE VALIDATED FOR INDIVIDUAL DEVICE APPLICATION REQUIREMENTS.
- B. 0.64MM PINS:
 - 1. BASE MATERIAL: COPPER ALLOY; CONDUCTIVITY >= 28% IACS AT 20°C; TENSILE STRENGTH >= 635 N/mm²; SURFACE ROUGHNESS R_a 6 MAX.
 - 2. PLATING FINISH: SILVER (Ag). PLATING TO BE 1.9-3.3 μm ELECTRODEPOSITED SEMI-BRIGHT SILVER OVER 1.25-2.25 μm DUCTILE SULPHAMATE NICKEL PER NOTE 1(D).
 - 3. ANTI-TARNISH: SYNTHETIC HYDROCARBON CONTACT SURFACE FINISH OR EQUIVALENT APPLIED WITHOUT VOID TO CONTACT AREA (MIN 3.7mm FROM PIN TIP).
- C. 2.8MM BLADE:
 - 1. BASE MATERIAL: COPPER ALLOY; CONDUCTIVITY >= 28% IACS AT 20°C; TENSILE STRENGTH >= 350 N/mm²; SURFACE ROUGHNESS R_a 6 MAX.
 - 2. PLATING FINISH: TIN. PLATING TO BE 2.5-5.0 μm ELECTRODEPOSITED TIN, MATTE FINISH OVER 1.25-2.5 μm DUCTILE SULPHAMATE NICKEL PER NOTE 1(D).
- D. PLATING REQUIREMENTS:
 - 1. SILVER PLATING
 - a. 99.5% PURE SEMI-BRIGHT WITH NO ORGANIC BRIGHTNERS OR CHROMATES.
 - 2. NICKEL PLATING
 - a. ELECTRODEPOSITED DUCTILE SULFAMATE NICKEL WITH A NON-BRIGHTENED FINISH. NO ORGANIC OR BRIGHTENING AGENTS SHALL BE ALLOWED.
 - b. SHALL ONLY BE USED AS AN UNDERLYING PLATING AND MAY NOT BE USED AS AN ELECTRICAL CONTACT SURFACE PLATING.
 - c. SHALL BE NODULE FREE WHEN VIEWED AT 10X MAGNIFICATION IN MEASURED IN CONTACT SURFACE AREA PLUS 0.5MM PERIMETER AROUND THE CONTACT SURFACE AREA.
 - d. ALL PLATINGS SHALL HAVE A 1.0% MAXIMUM BY WEIGHT IMPURITIES. IMPURITIES ARE DEFINED AS ALL ELEMENTS NOT THE PRIMARY PLATING OR HARDENING AGENT IF APPLICABLE, AS DETERMINED BY WET CHEMICAL ANALYSIS OR AUGER METHOD. NO SINGLE IMPURITY SHALL EXCEED 0.1% MAXIMUM BY WEIGHT.
 - 3. TESTING
 - a. THICKNESS TO BE MEASURED IN CONTACT SURFACE AREA PLUS 0.5MM PERIMETER AROUND THE CONTACT SURFACE AREA AS DESIGNATED IN THE DRAWING. THICKNESS SHALL BE DETERMINED BY METHOD OF X-RAY (XRF).
 - b. PLATING ADHESION SHALL BE TESTED BY A BEND TEST FOR ALL METALS. THE TEST SAMPLE SHALL BE BENT 90 DEGREES TO DETERMINE DEPOSIT ADHESION. TESTING SHALL BE COMPLETED IN ACCORDANCE WITH ASTM SPEC B571.


2. DESIGN - GENERAL:

- A. THIS IS A 100% CAD GENERATED PART. THE CAD MATHEMATICAL DATA IS THE MASTER FOR THIS PART. FOR DIMENSIONAL OR ANY INFORMATION NOT SHOWN ON THIS DRAWING, ANALYZE THE CAD MODEL.
- B. TOLERANCES:
 - 1. LINEAR
 - 0.X ± 0.30
 - 0.XX ± 0.10
 - 0.XXX ± 0.10
 - 2. ANGULAR X° ± 3°
 - 3. 
- C. MINIMUM WALL THICKNESS REQUIRED: 1.3mm.
- D. CORNERS SHOWN AS SHARP TO BE R 0.2 MAX.
- E. LETTERING SHALL BE 0.15 MAX RAISED IN 0.20 MAX RECESS PAD. THIS INCLUDES MATERIAL CODE, RECYCLING CODE, CAVITY ID AND DATE CODE.
- F-1. PARTS MUST BE FREE OF DISCOLORATION, SALT RESIDUE AND OTHER IMPERFECTIONS THAT AFFECT FIT OR FUNCTION.
- F-2. SCRATCHES OR DENTS NOT TO EXCEED 0.013mm IN DEPTH.
- G. FOLLOWING PRODUCTION CODES TO BE PERMANENTLY MARKED & HUMAN READABLE TO A LETTER HEIGHT OF 1.5 ± 0.5MM X 0.3 MAX DEEP
 - 1. MATERIAL #: XXXXX-XXXX
 - 2. DATE CODE: JJYY (JULIAN DAY, LAST DIGIT OF YEAR)
 - 3. INSPECTION MACHINE CODE + SERIAL #: X_XXXXX

3. DESIGN - MANUFACTURING:

- A. DRAFT TO BE WITHIN TOLERANCE.
- B. ALLOWABLE FLASH MAX 0.2 HIGH X MAX 0.13 THICK.
- C. ALLOWABLE PARTING LINE MISMATCH 0.2 MAX.
- D. EJECTOR PINS MARK TO BE FLUSH TO 0.25 MAX DEPRESSED.
- E. ALLOWABLE GATE VESTIGE FLUSH TO 0.25 MAX PROTRUSION.
- F. NO EXTERNAL MOLD RELEASE AGENT ALLOWED DURING MANUFACTURING.
- G. STEEL THAT FORMS THE INDICATED SURFACE MUST BE POLISHED WITH A DIAMOND FINISH (SPI A-2) OVER THE FULL PERIPHERY OF THE TOOL. SURFACE MUST HAVE NO MISMATCH.
- H. ANY PROCESS LUBRICANT REMAINING ON THE TERMINAL MUST NOT VARNISH OR DEGRADE IT'S ELECTRICAL PERFORMANCE UP TO A MAXIMUM CLASS AMBIENT TEMPERATURE PER SAE USCAR-2 FOR 1008 HOURS. PROCESS LUBRICANTS SHOULD BE APPROVED BY THE RESPONSIBLE ENGINEER.
- J. OPTIONAL FEATURES PROVIDED FOR AUTOMATION.
- K. PART MUST BE FREE FROM BURRS AND SHARP EDGES, WHICH MIGHT BE DETRIMENTAL TO SATISFACTORY ASSEMBLY, SAFE HANDLING OR FUNCTION OF PART.
- L. PARTS AS DELIVERED TO ASSEMBLY SHALL BE CLEAN AND FREE OF DEBRIS, RESIDUAL ABRASIVE MATERIAL AND CORROSION PRODUCTS ADVERESLY AFFECTING FUNCTION OR APPEARANCE.
- M. RESTRICTED AND REPORTABLE SUBSTANCES FOR PARTS PER GMW3059.

002C

| | | | | | | | |
|---|------------|----------------|------------|----|-----|-------------|---------|
|  | PAGE TITLE | DRAWING NUMBER | DWG STATUS | | | PAGE NUMBER | |
| | NOTES | | 12642695 | ST | REV | PDI | 6 OF 21 |
| | | | | R | 002 | | |

NOTES: UNLESS OTHERWISE SPECIFIED

4. SYSTEM REQUIREMENTS:

- A. HARNESS CONNECTOR IS COMPATIBLE WITH THE FOLLOWING SAE WIRE SIZE NO'S:
 - 14, MEETING SAE J1128
 - 18, MEETING SAE J1128, MAX O.D. OF 2.06 MM
 - 20, MEETING SAE J1128
 - 22, MEETING SAE J1128, MIN O.D. OF 1.47 MM
- B. CABLE TIE SPECIFICATIONS:
 - 1. CABLE TIE:
 - TENSILE RATING: 220N / (50lbs) MIN
 - TIE LENGTH: 186mm MIN
 - TIE WIDTH: 4.75mm MAX
 - MATERIAL: NYLON
 - 2. INSTALLATION:
 - CABLE TIE TENSION: 190N MIN
 - 3. DRESSED WIRE BUNDLE PACKAGING: SEE FIG. 1
- C. WHEN MATED WITH COMPONENT CONNECTOR INTERFACE AND/OR DRESS COVER, HARNESS CONNECTOR SYSTEM CONFORMS TO THE FOLLOWING:
 - 1. SAE/USCAR-2, REV: 3 APRIL, 2001; CLASS 3
 - 2. FIELD CORRELATED LIFE TEST, SAE/USCAR-20, NOV. 2001
 - 3. GMW #3191 AUGUST 22, 2000 (DRAFT); TEMPERATURE CLASS 3, SEALING CLASS 1, VIBRATION CLASS 2
 - 4. RESTRICTED AND REPORTABLE CHEMICALS PER GMW #3059, REV: D AUGUST 2002
 - 5. TPA USER FORCES (FULLY POPULATED WITH TERMINALS)
 - a. REMOVAL FROM LOCK TO PRE-SET: <=120N
- D. WIRE SPECIFICATIONS:
 - 1. WIRE SURFACE MUST BE FREE OF SCRATCHES, GROOVES OR DENTS WHERE FUNCTIONAL

5. TERMINAL CURRENT RATINGS:

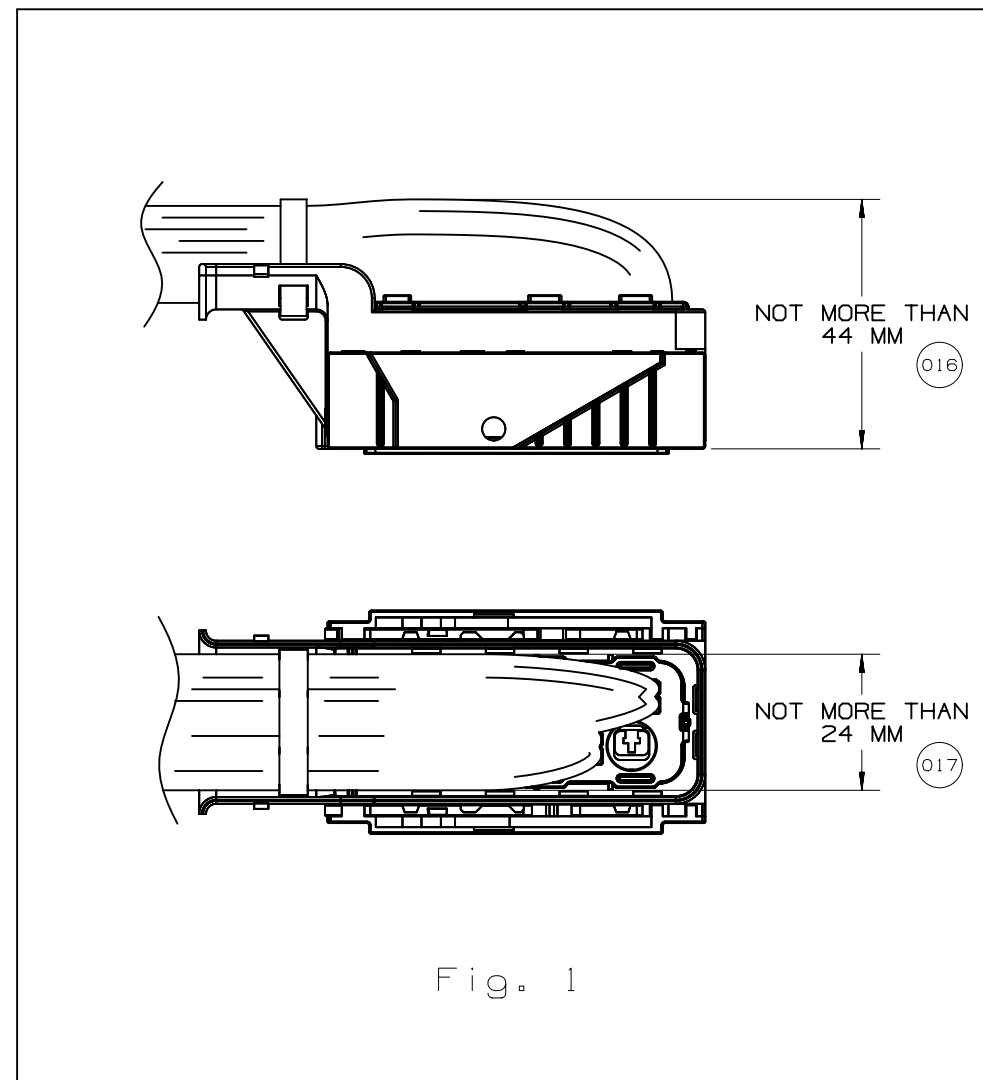
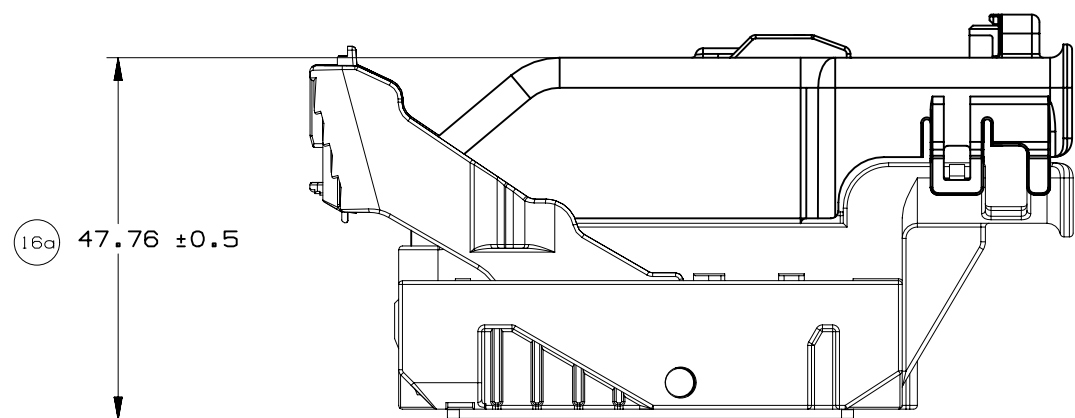
ALL TESTING DONE IN ACCORDANCE WITH USCAR-2 REV5 SECTION 5.3

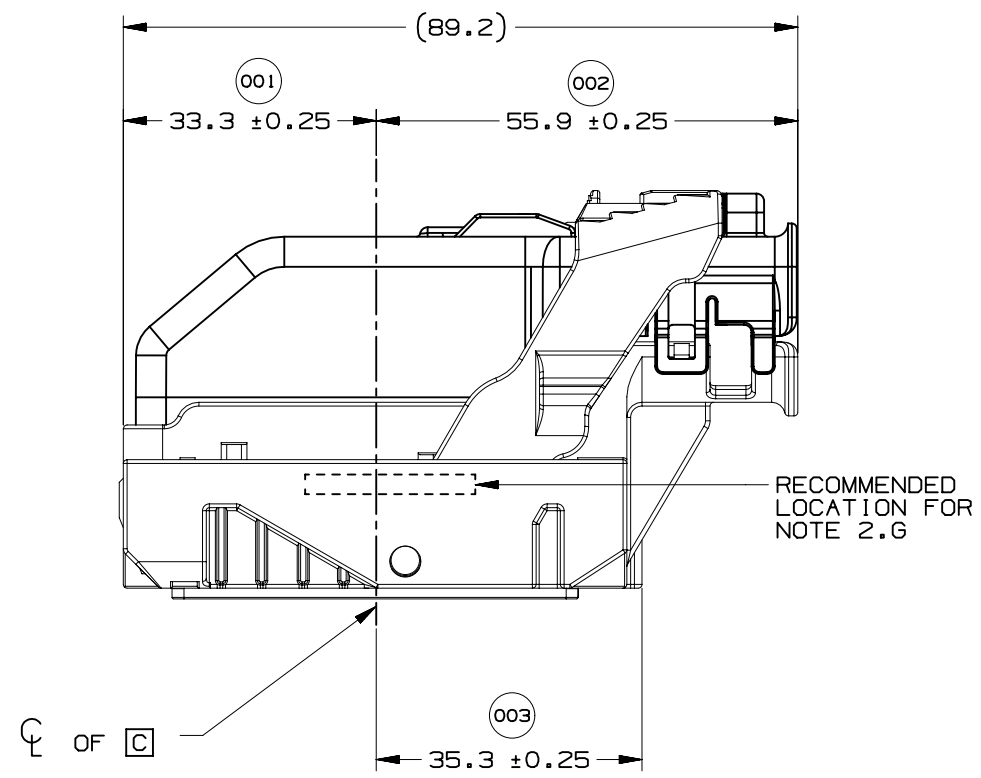
- A. MX64 RCPT TERM
 - 1. MX64 RCPT TERM Ag 18/20 GAGE CRIMPED TO SAE WIRE SIZE NO.18 AND MATED TO MX123 0.64MM PIN: 11.3 AMPS
 - 2. MX64 RCPT TERM Ag 22 GAGE CRIMPED TO SAE WIRE SIZE NO.22 AND MATED TO MX123 0.64MM PIN:8.5 AMPS

| WIRE | CURRENT RATING | | | |
|-------|----------------|-------|-------|-------|
| | 23°C | 85°C | 105°C | 125°C |
| 18AWG | 11.3A | 11.3A | 9.5A | 6.6A |
| 20AWG | 10.0A | 10.0A | 8.3A | 5.7A |
| 22AWG | 8.6A | 8.6A | 7.1A | 5.0A |

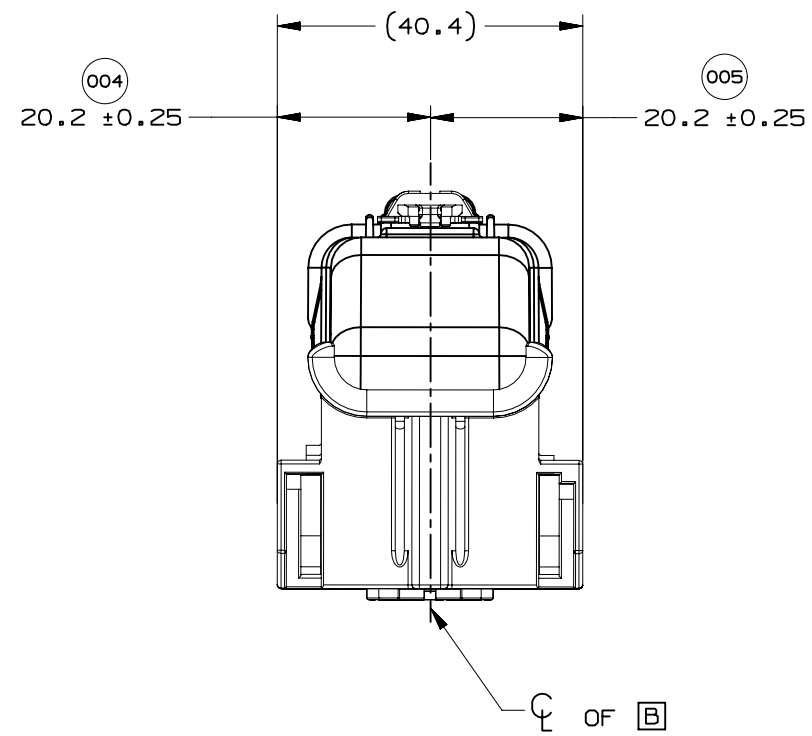
- B. 2.8MM RCPT TERM
 - 1. 2.8MM RCPT TERM TIN 14 GAGE CRIMPED TO SAE WIRE SIZE NO.14 AND MATED TO MX123 2.8MM BLADE: 25.6 AMPS

6. CONTACT MOLEX AUTOMOTIVE FOR AVAILABLE CUSTOM PATTERNS OF CAVITIES OPEN FOR CIRCUITS

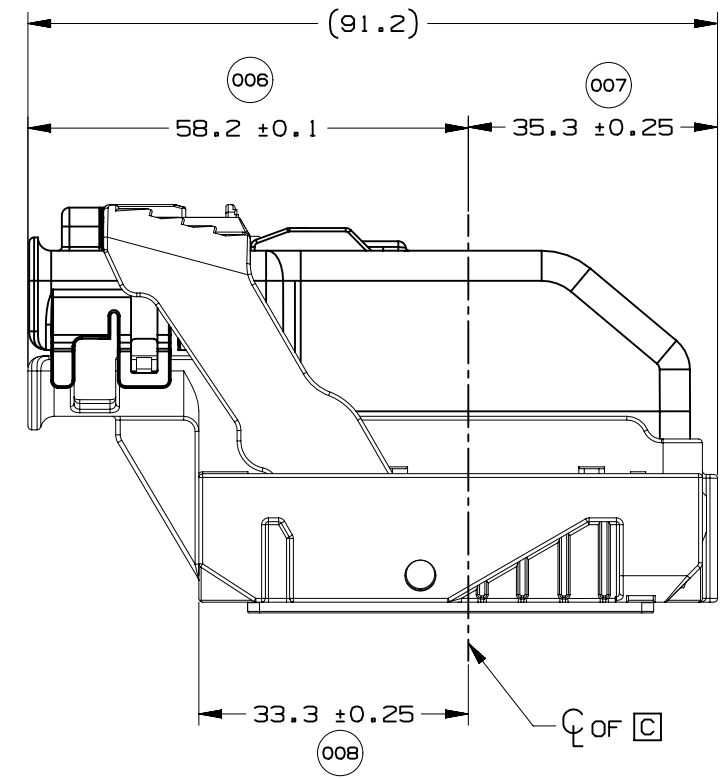




WIRE DRESS OPTION 0 SHOWN

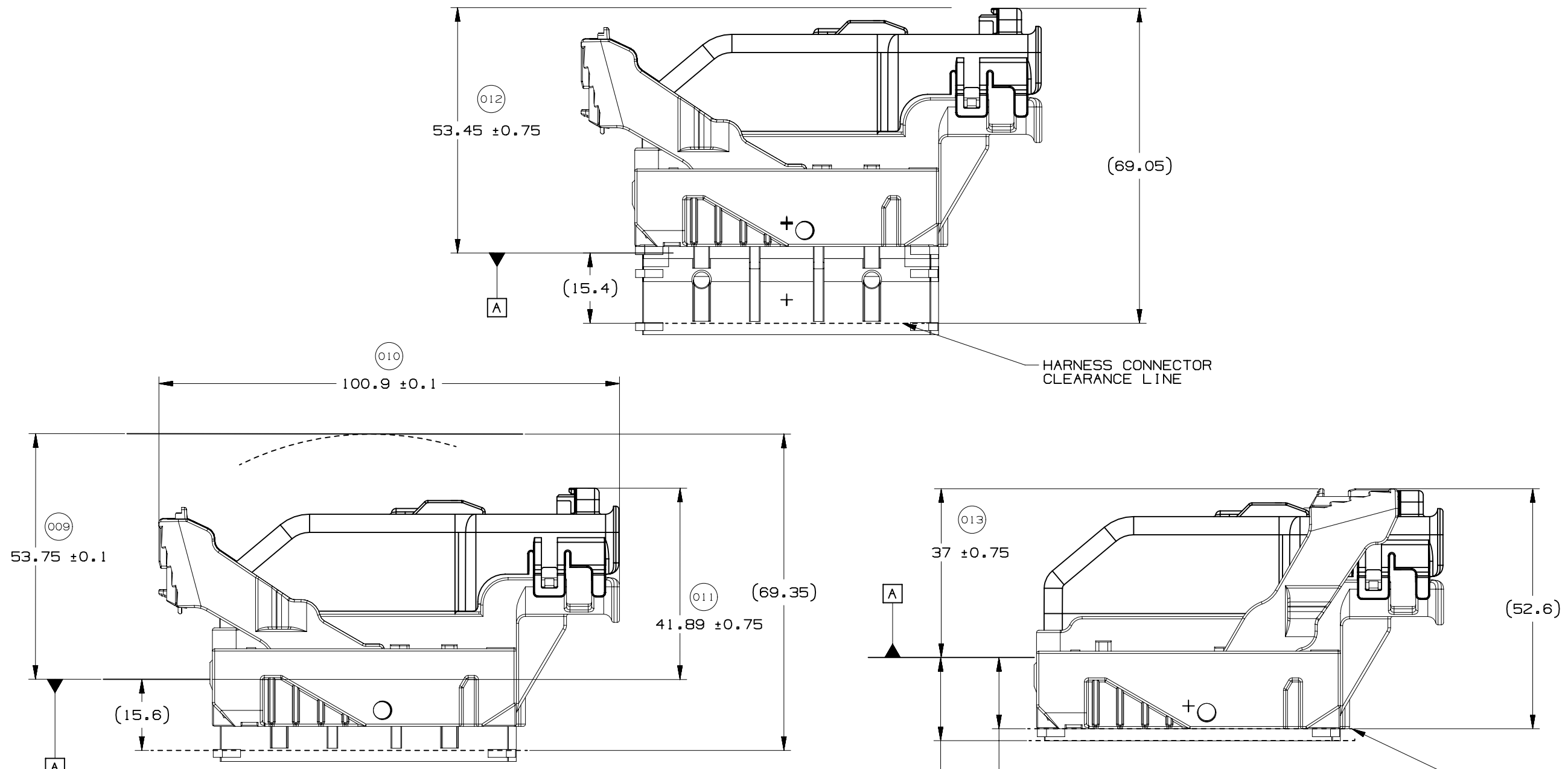


WIRE DRESS OPTION 0 SHOWN



WIRE DRESS OPTION 9 SHOWN





HARNESS CONNECTOR CLEARANCE LINE

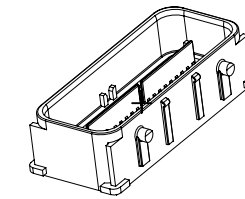
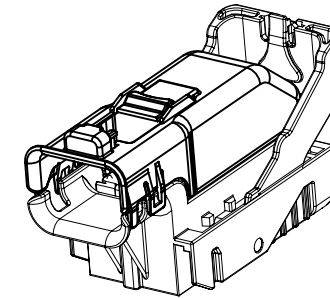
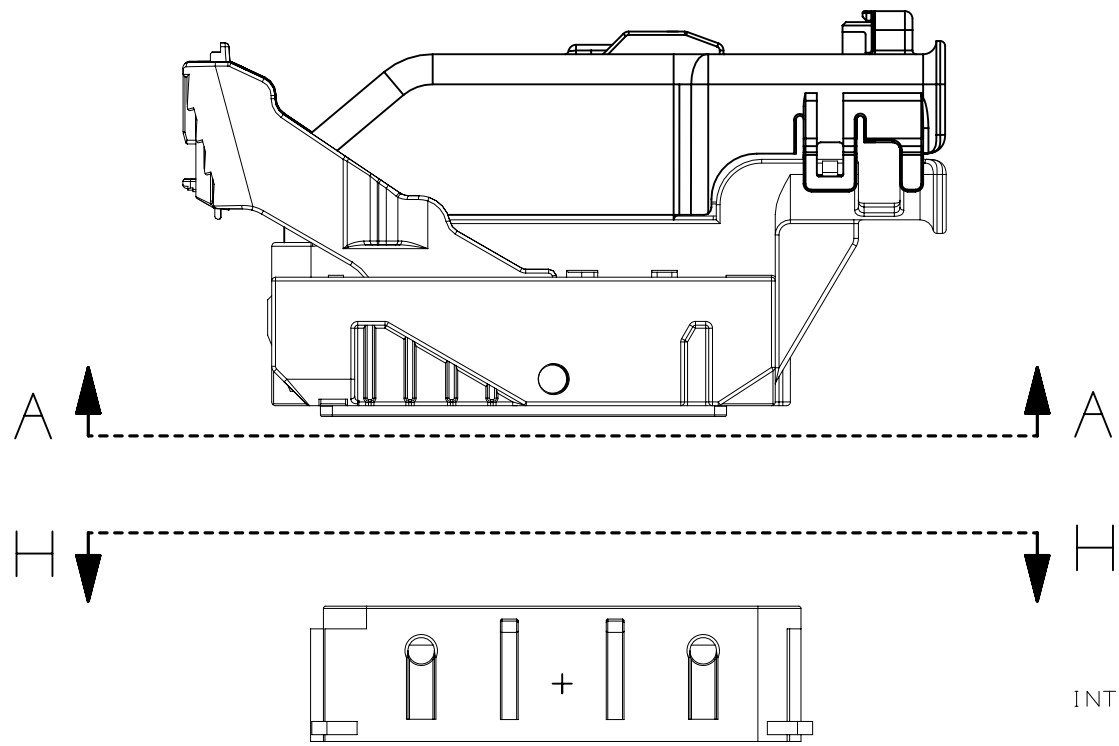
HARNESS CONNECTOR ASSEMBLY IN FULLY-MATED POSITION

HARNESS CONNECTOR CLEARANCE LINE

15.6 MIN. ALL AROUND CLEARANCE REQUIRED FOR HARNESS CONNECTOR (014)

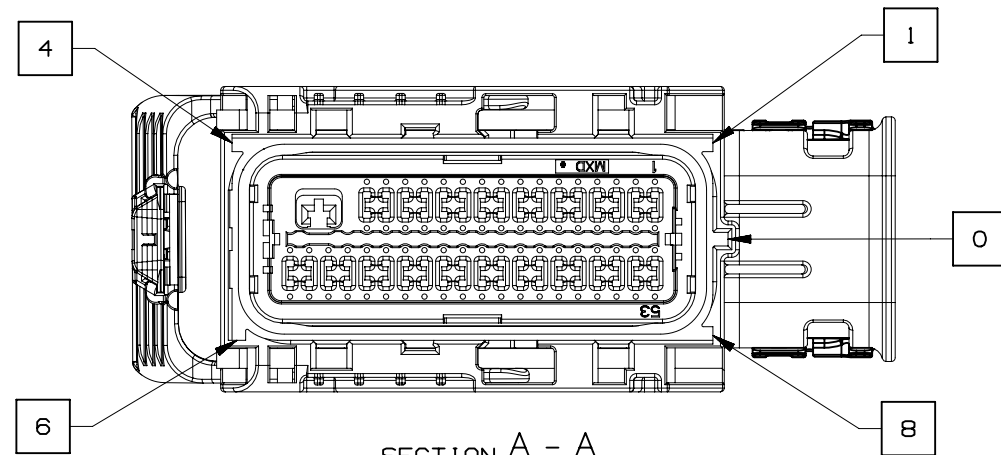
17.9 MIN. AT PAD LOCATION CLEARANCE REQUIRED FOR HARNESS CONNECTOR CONSTRUCTION BELOW THIS PLANE IS NOT CONTROLLED (015)

| | | | | | | | | | |
|--|-----------------------------------|--|----------------|--|------------|-----|-----|-------------|--|
| | PAGE TITLE | | DRAWING NUMBER | | DWG STATUS | | | PAGE NUMBER | |
| | LOCATION AND PACKAGING DIMENSIONS | | 12642695 | | ST | REV | PDI | 10 OF 21 | |
| | REFERENCING INTERFACE DATUM A | | | | R | 002 | | | |

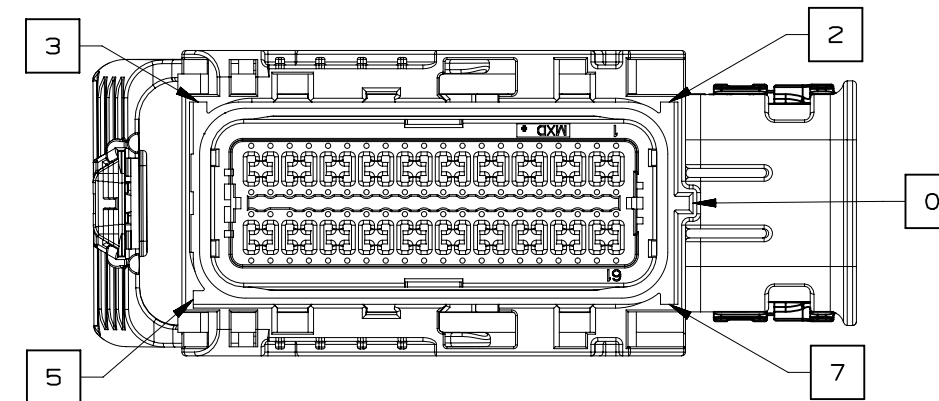


NOTE: REFERENCE THE COMPONENT TABLE FOR KEY OPTIONS AND CONFIGURATIONS

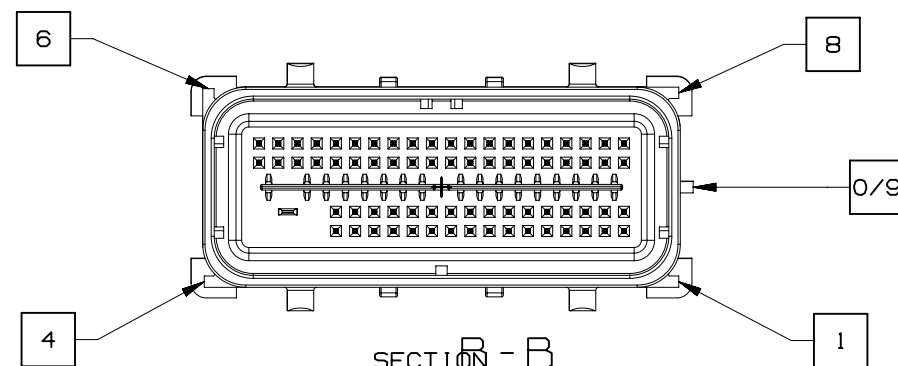
INTERFACE SIDE SHOWN ON ALL SECTION VIEWS



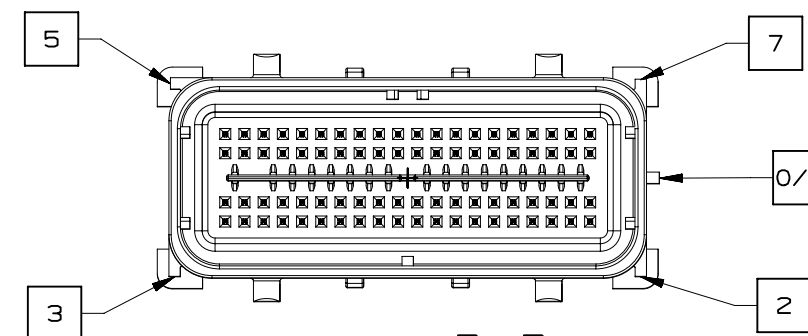
SECTION A - A
KEY OPTION B SHOWN



SECTION A - A
KEY OPTION K SHOWN



SECTION B - B
KEY OPTION B SHOWN



SECTION B - B
KEY OPTION K SHOWN

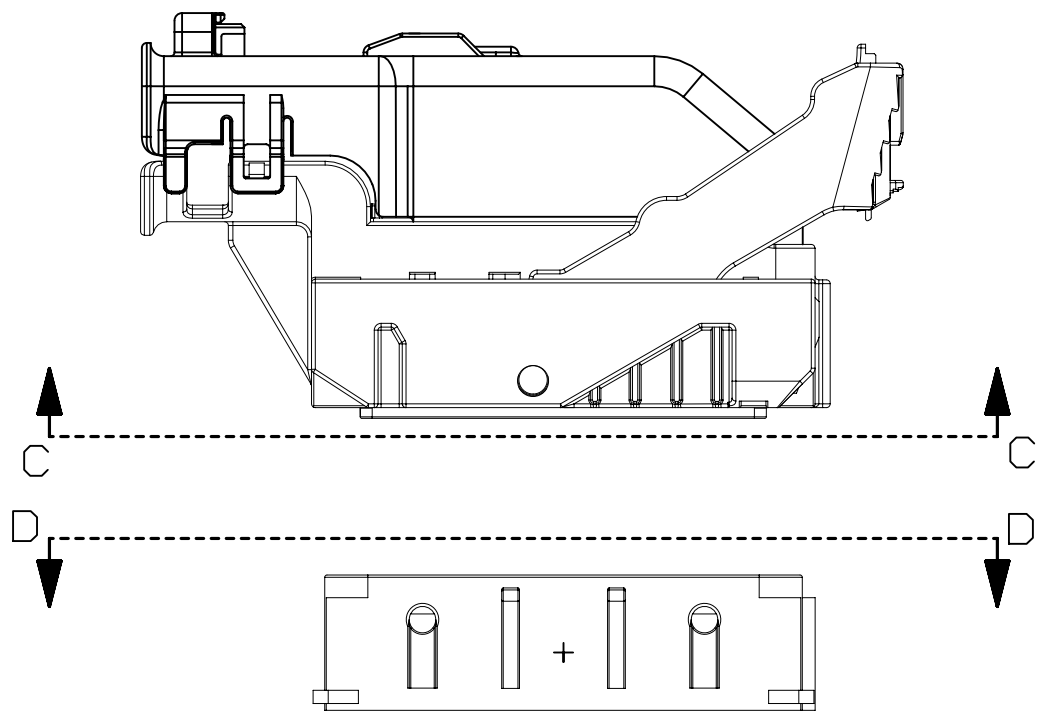


PAGE TITLE
KEY ID REF - WIRE DRESS OPTION 0

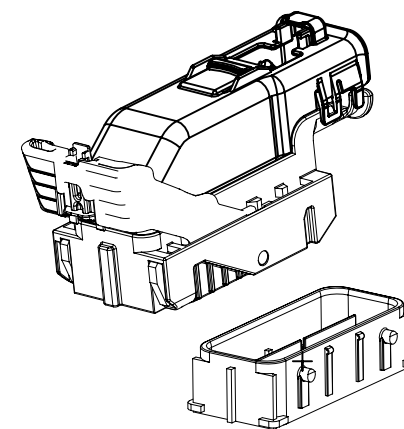
DRAWING NUMBER
12642695

| DWG STATUS | | |
|------------|-----|-----|
| ST | REV | PD1 |
| R | 002 | |

PAGE NUMBER
11 OF 21

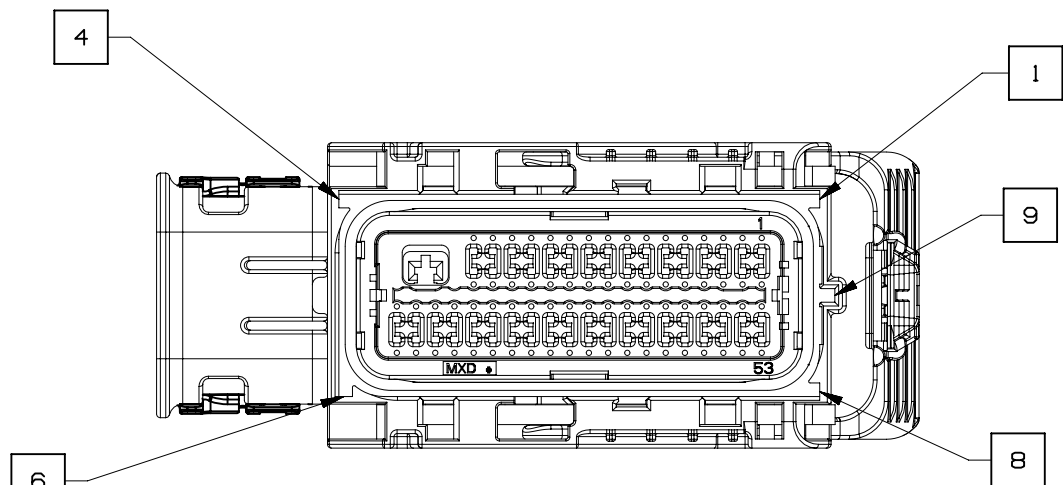


INTERFACE SIDE SHOWN ON ALL SECTION VIEWS

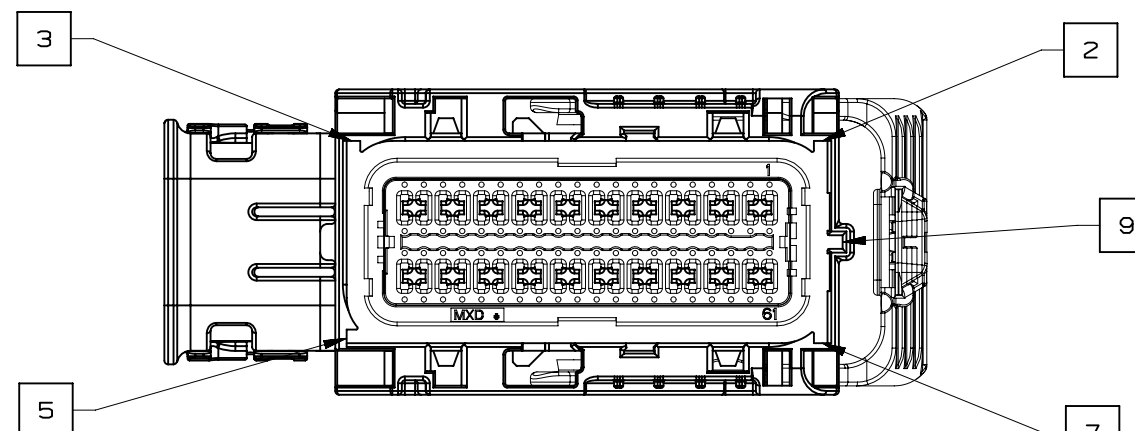


NOTE: REFERENCE THE COMPONENT TABLE FOR KEY OPTIONS AND CONFIGURATIONS

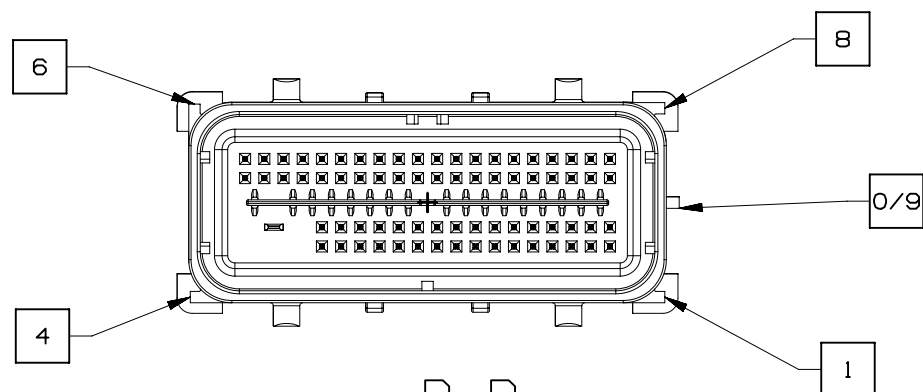
VIEW V



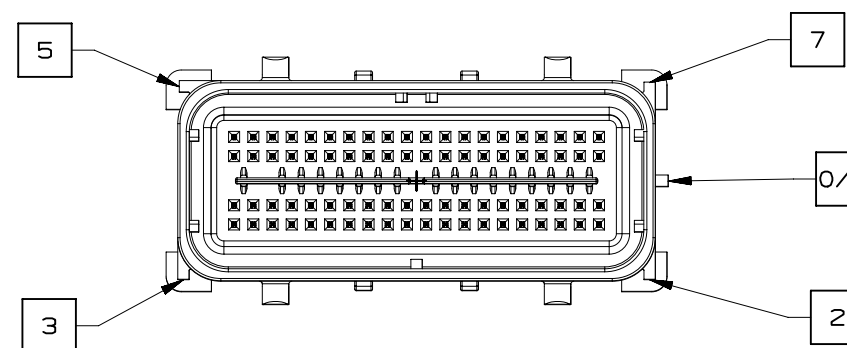
SECTION C-C
KEY OPTION B SHOWN



SECTION C-C
KEY OPTION K SHOWN



SECTION D-D
KEY OPTION B SHOWN



SECTION D-D
KEY OPTION K SHOWN

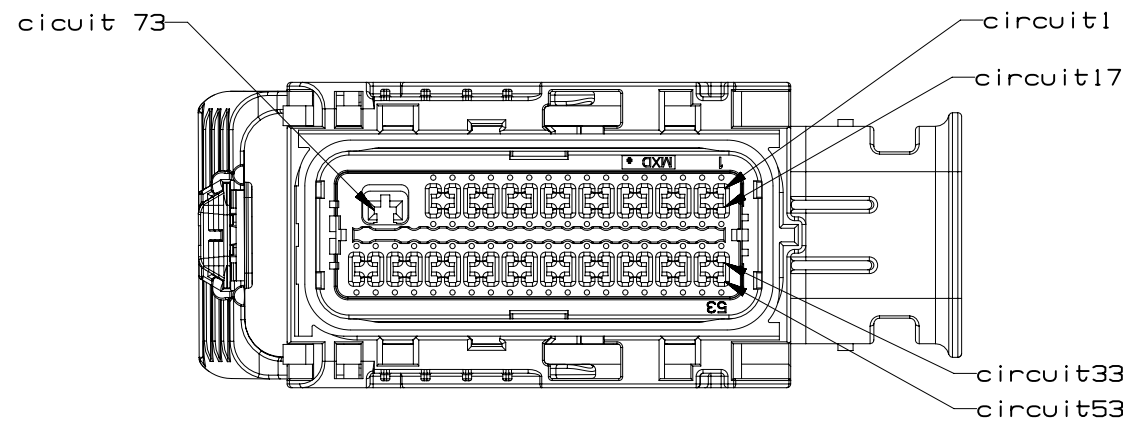


PAGE TITLE
KEY ID REF - WIRE DRESS OPTION 9

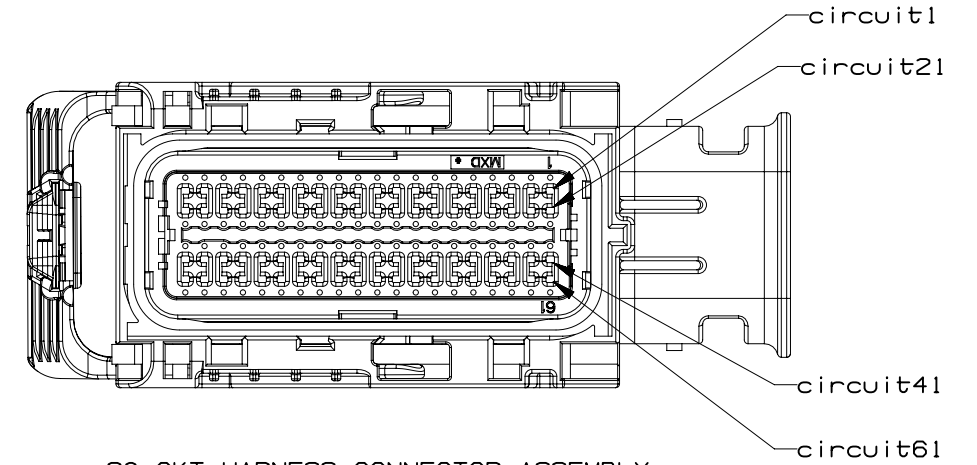
DRAWING NUMBER
12642695

| DWG STATUS | | |
|------------|-----|-----|
| ST | REV | PD1 |
| R | 002 | |

PAGE NUMBER
12 OF 21

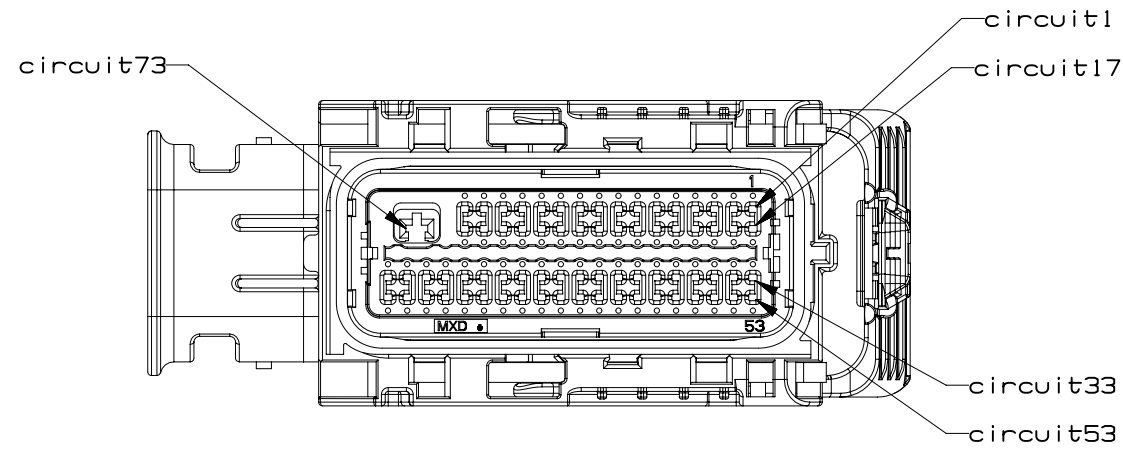


73 CKT HARNESS CONNECTOR ASSEMBLY
WIRE DRESS OPTION 0

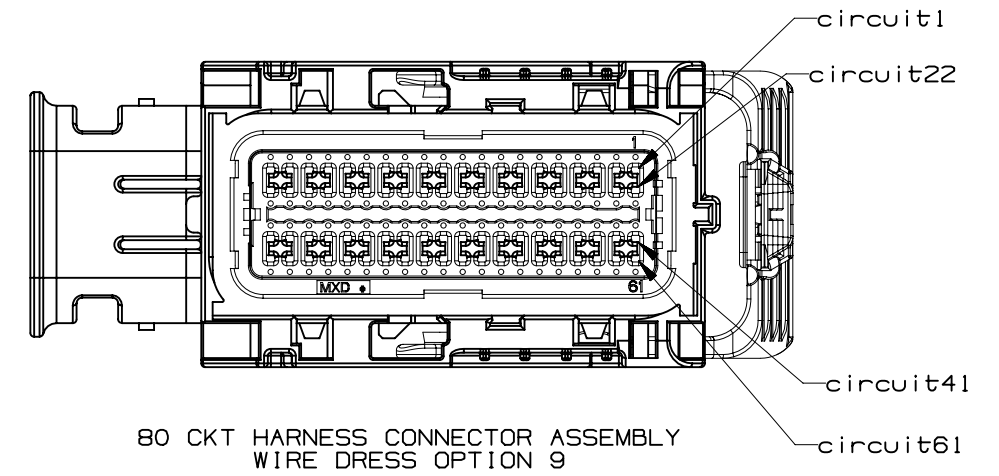


80 CKT HARNESS CONNECTOR ASSEMBLY
WIRE DRESS OPTION 0

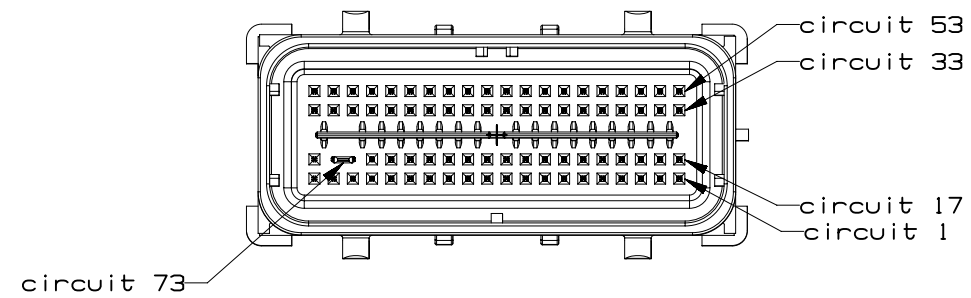
INTERFACE SIDE SHOWN ON ALL VIEWS



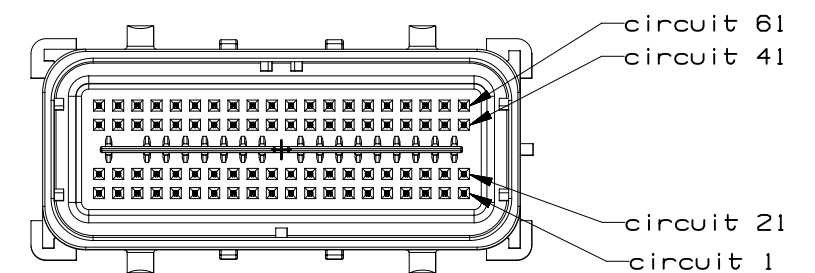
73 CKT HARNESS CONNECTOR ASSEMBLY
WIRE DRESS OPTION 9



80 CKT HARNESS CONNECTOR ASSEMBLY
WIRE DRESS OPTION 9

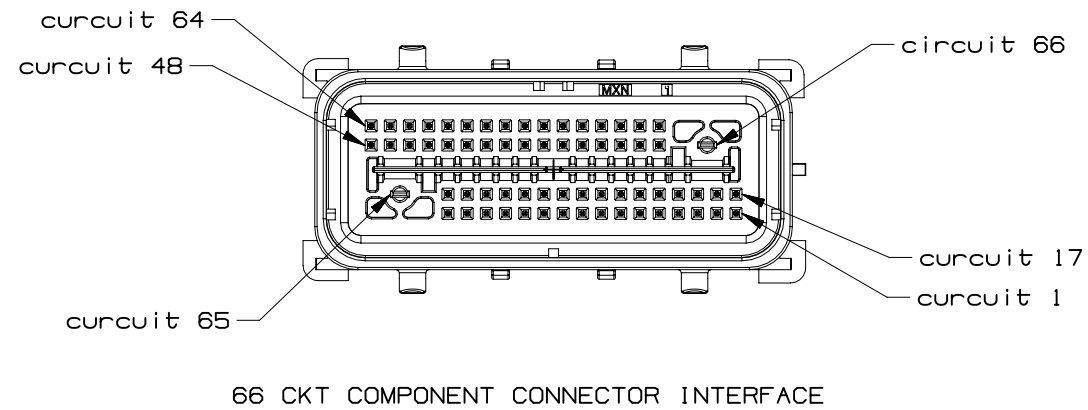
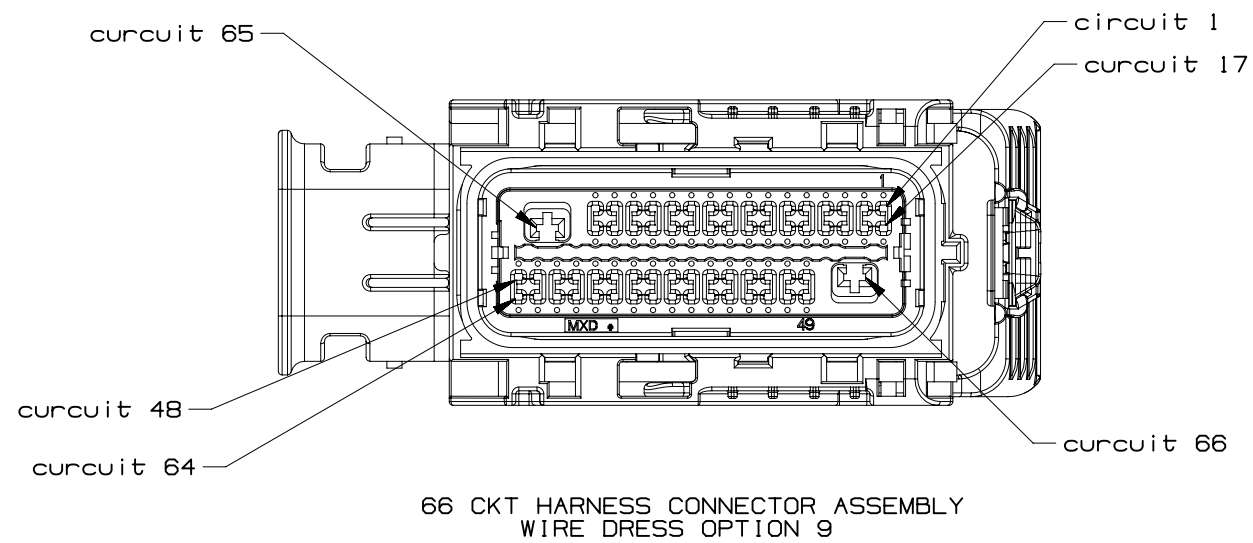
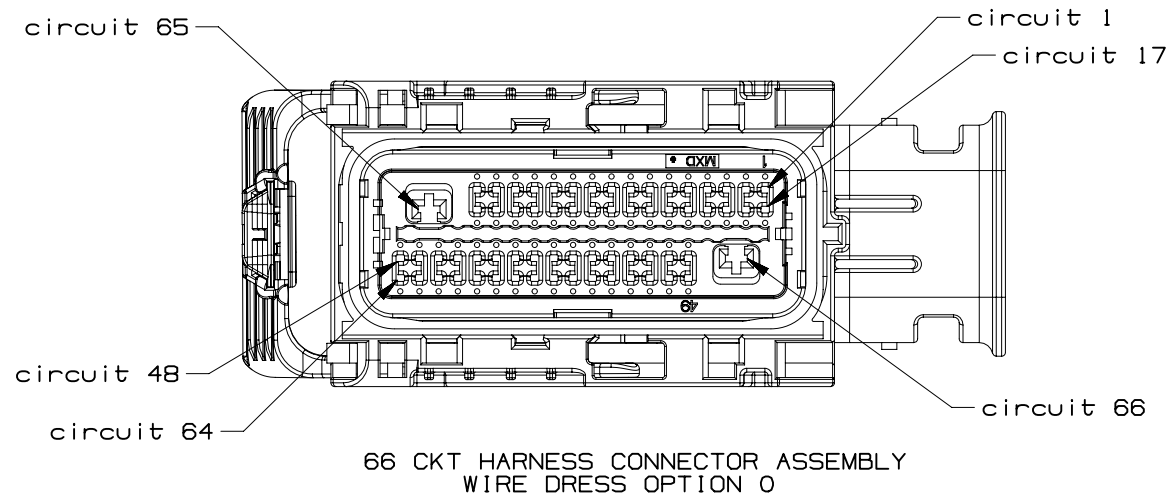


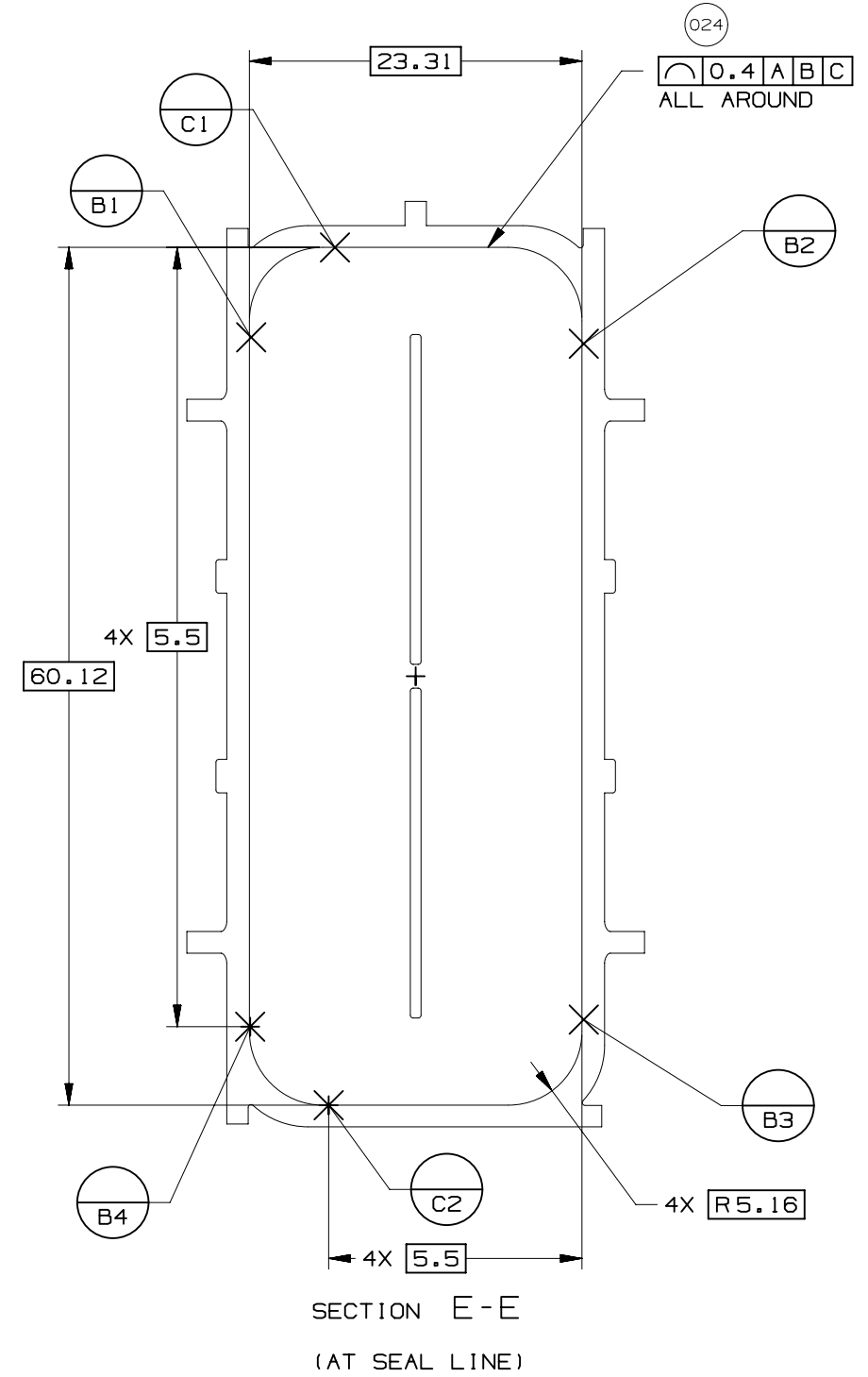
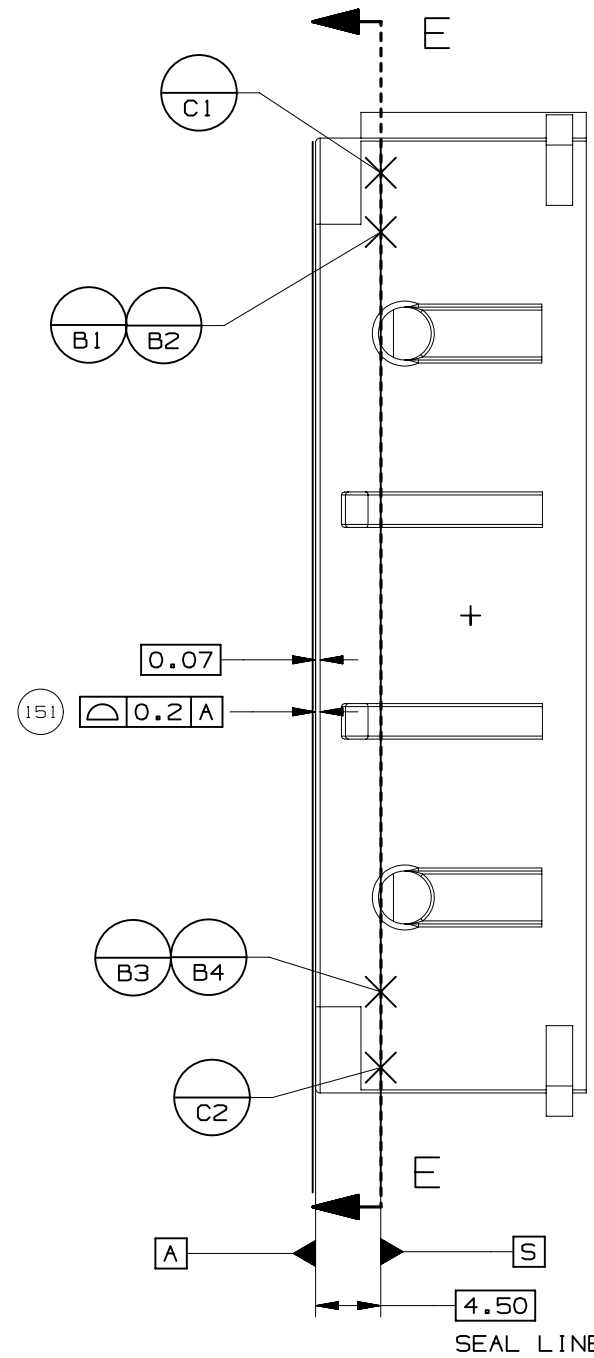
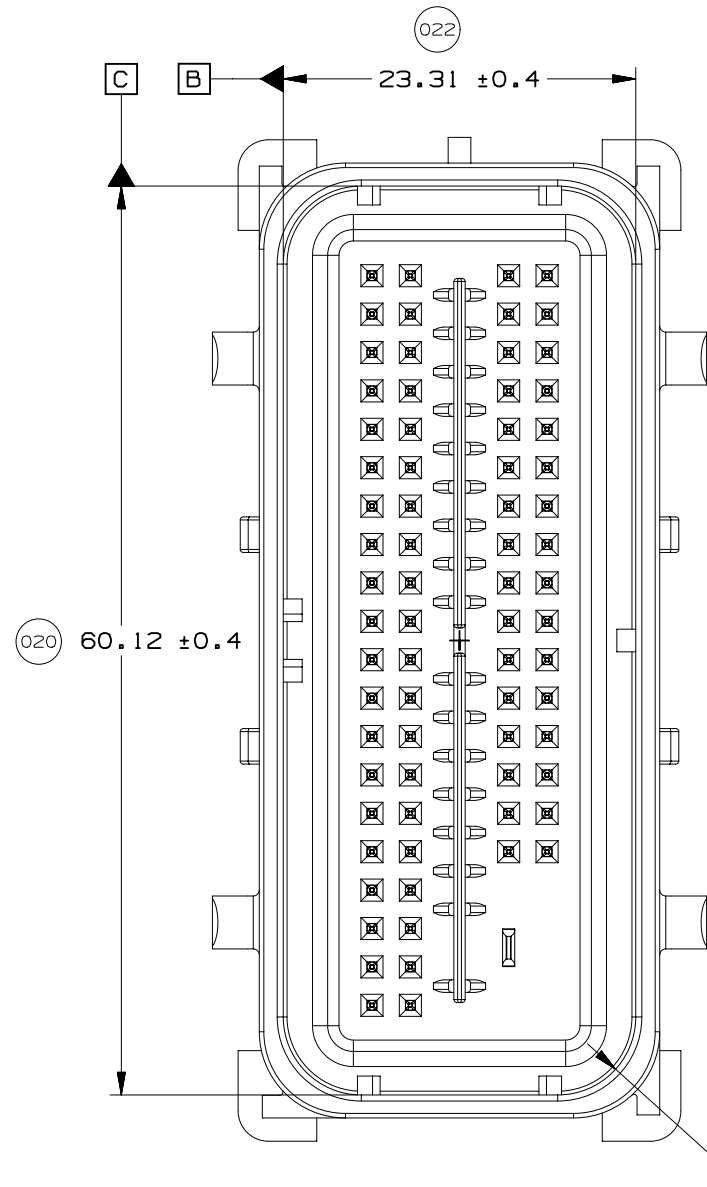
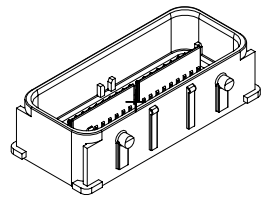
73 CKT COMPONENT CONNECTOR INTERFACE



80 CKT COMPONENT CONNECTOR INTERFACE







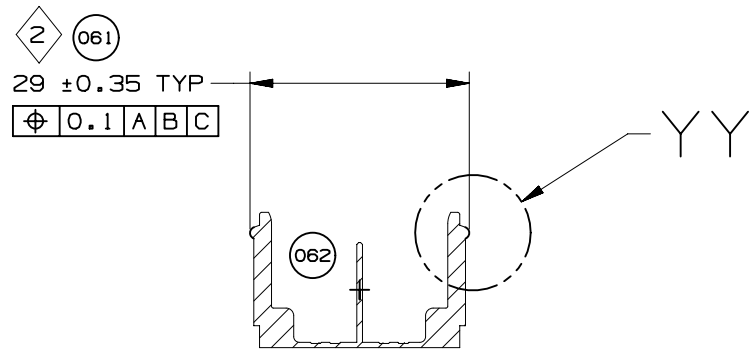
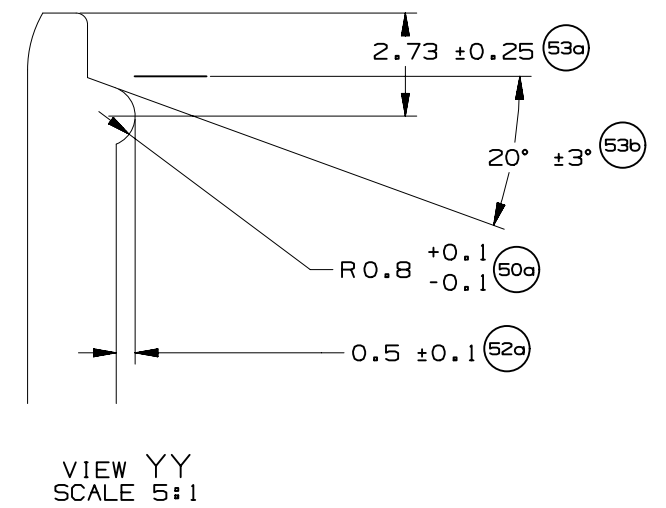
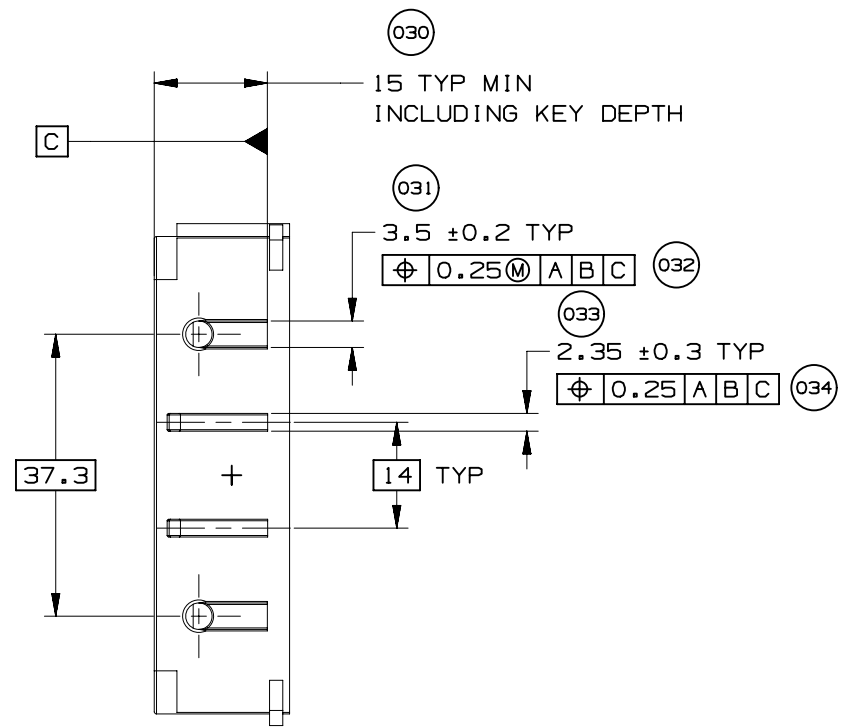
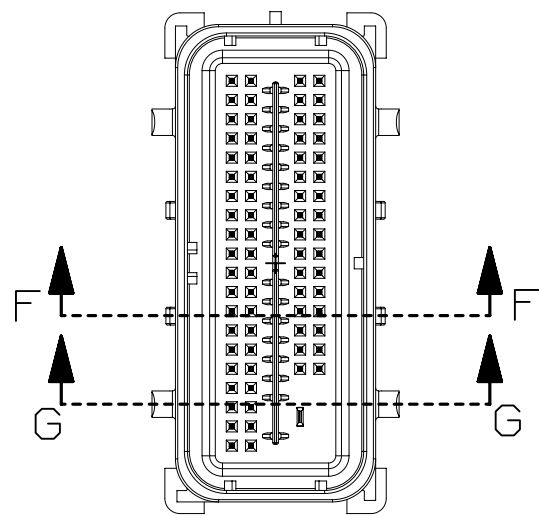
UNLESS SPECIFIED, TOLERANCE OF THE COMPONENT CONNECTOR INTERFACE TO BE $\sqrt[0.13]{A B C}$



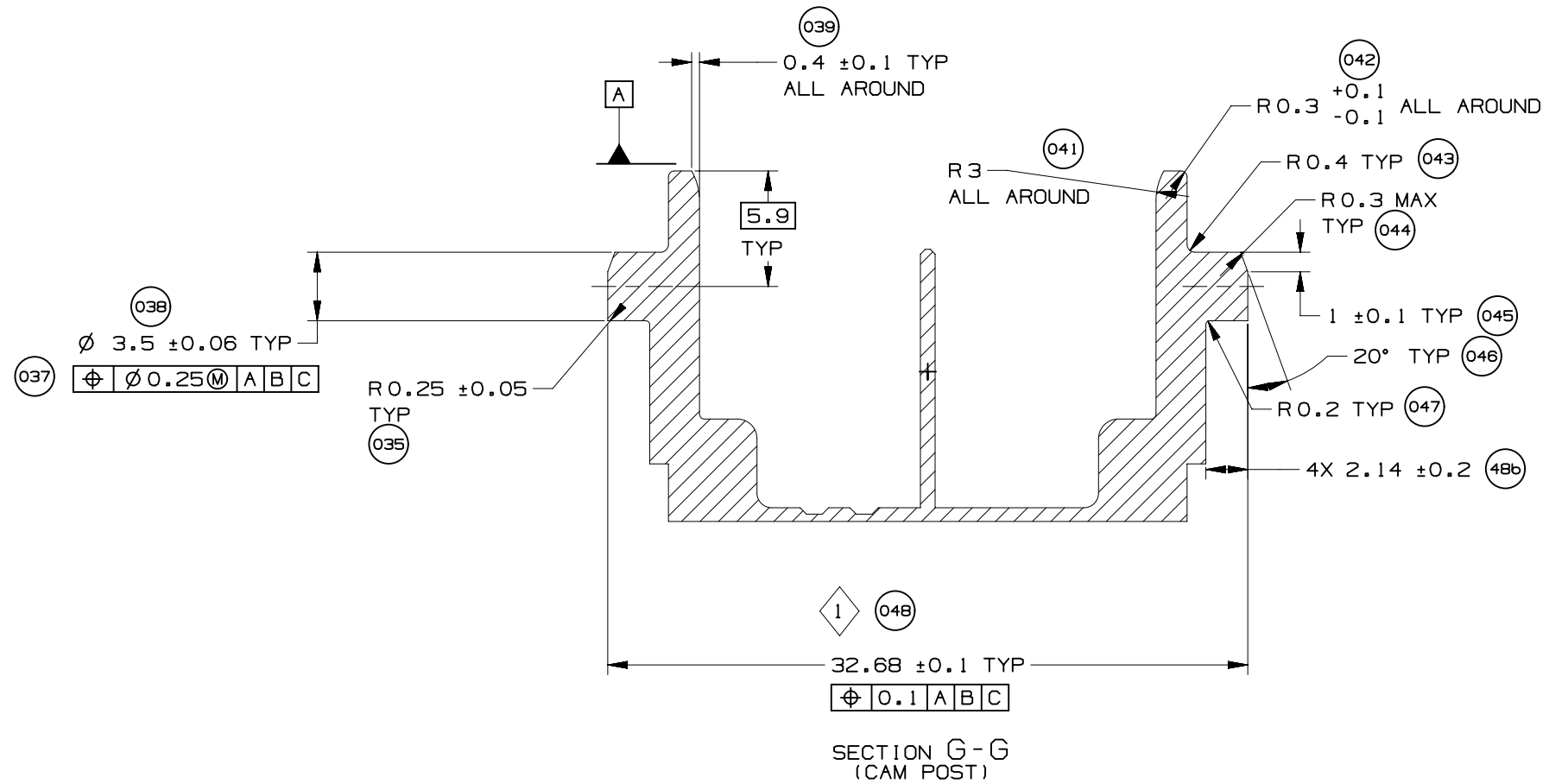
PAGE TITLE
COMPONENT CONNECTOR INTERFACE

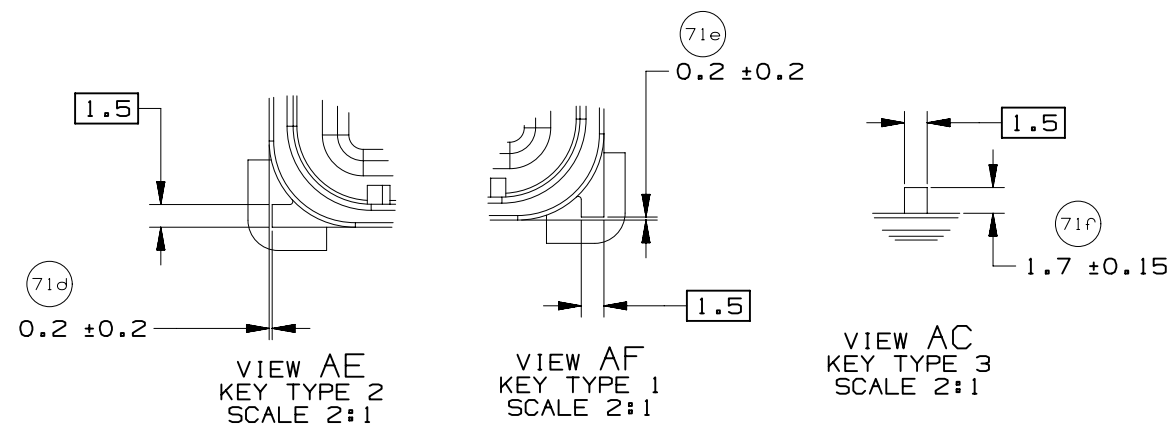
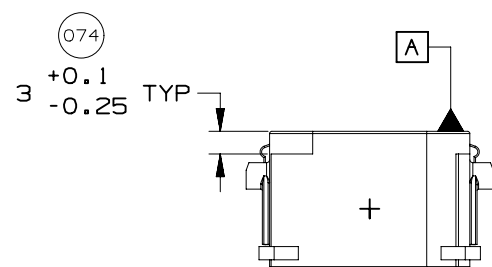
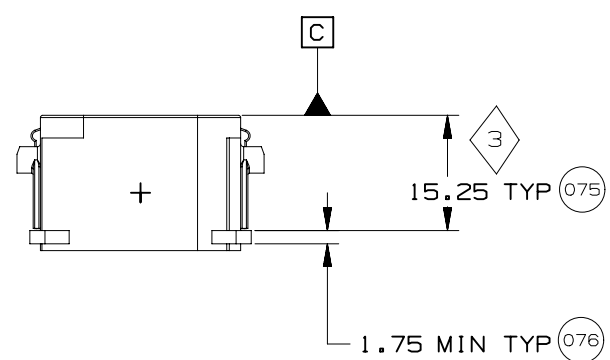
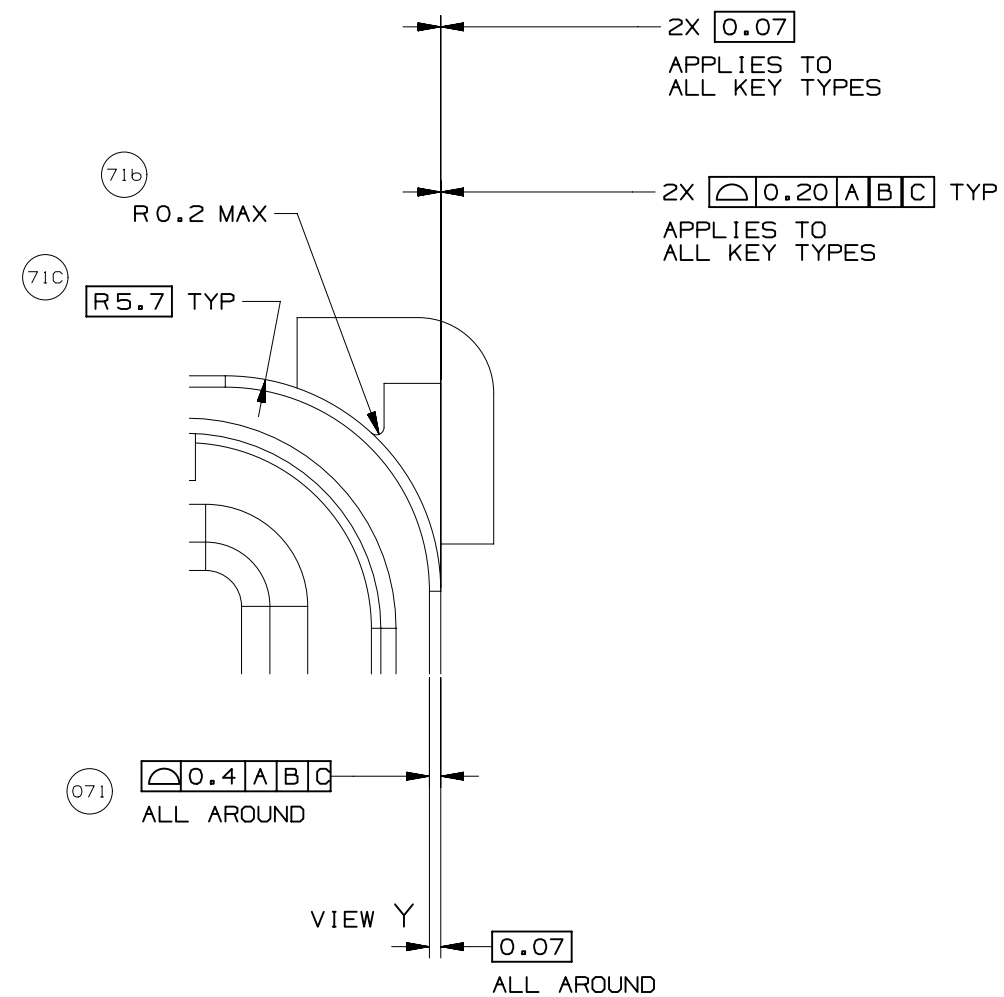
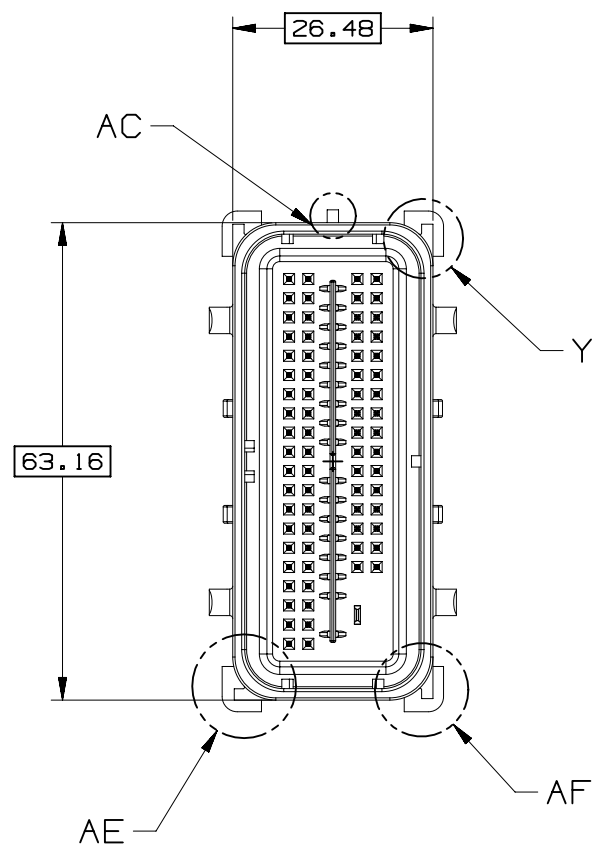
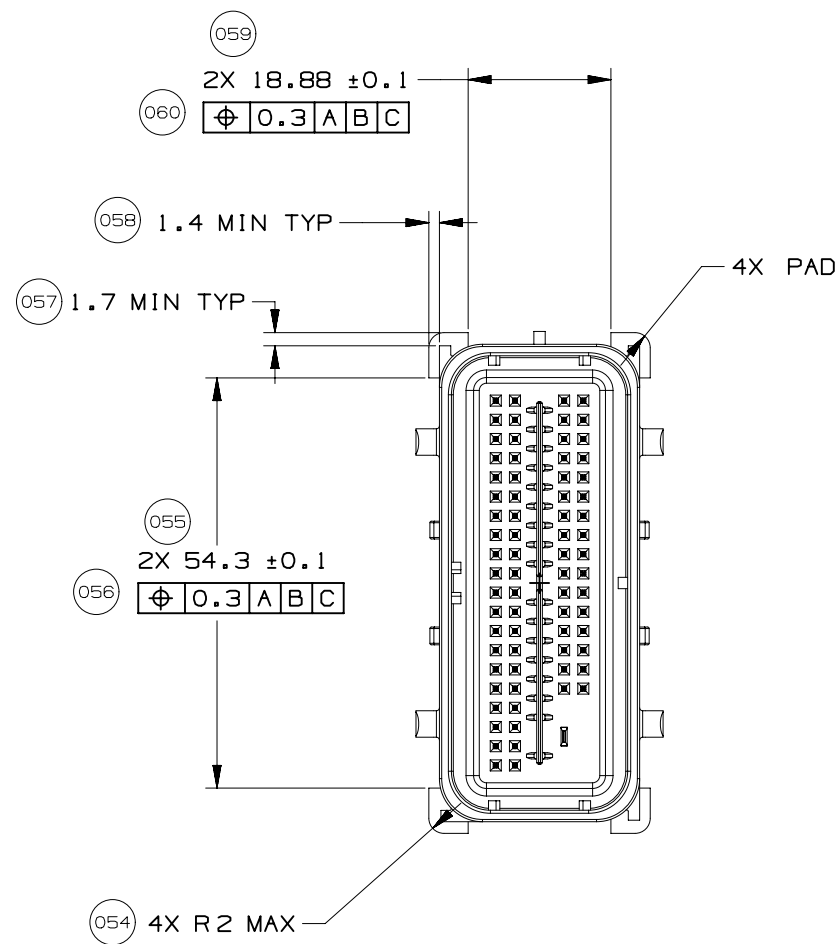
DRAWING NUMBER
12642695

| DWG STATUS | | | PAGE NUMBER |
|------------|-----|-----|-------------|
| ST | REV | PD1 | |
| R | 002 | | 15 OF 21 |



SECTION F-F

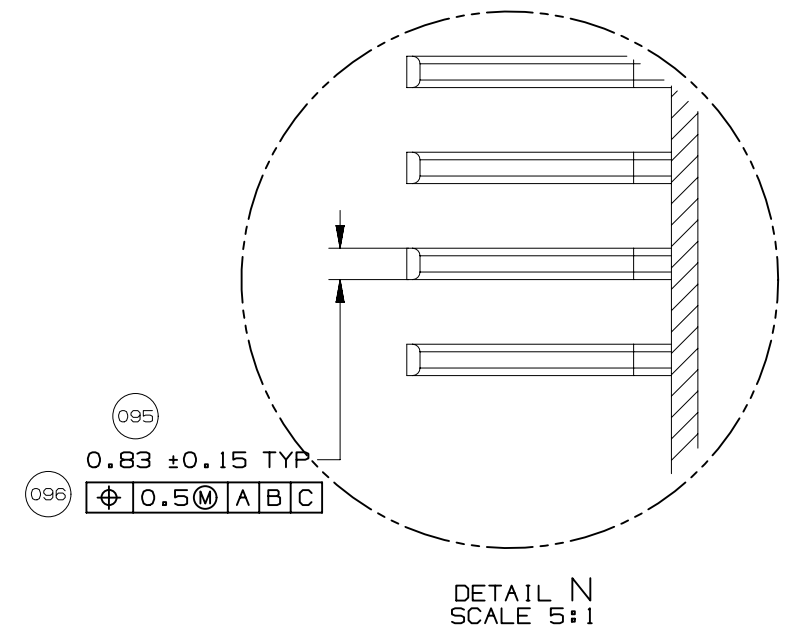
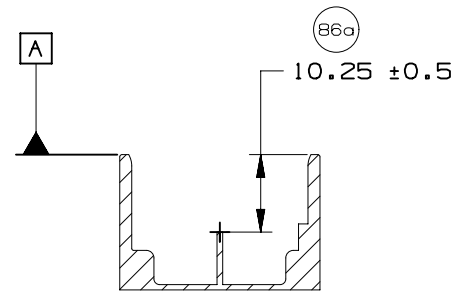
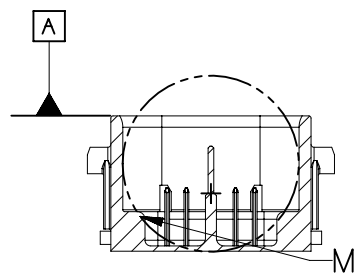
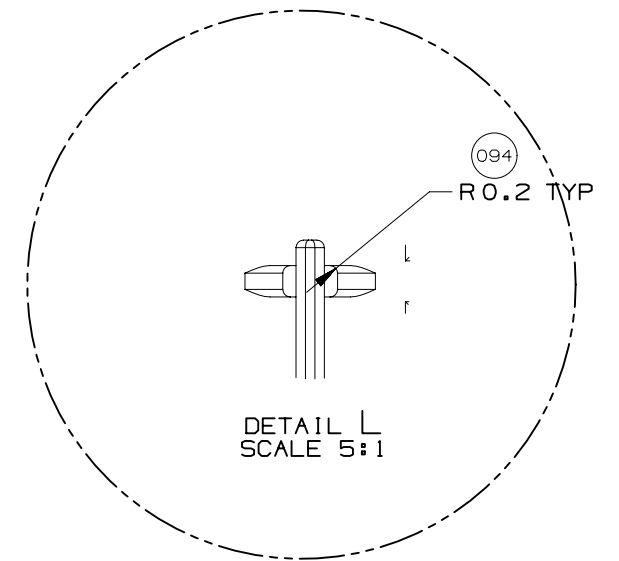
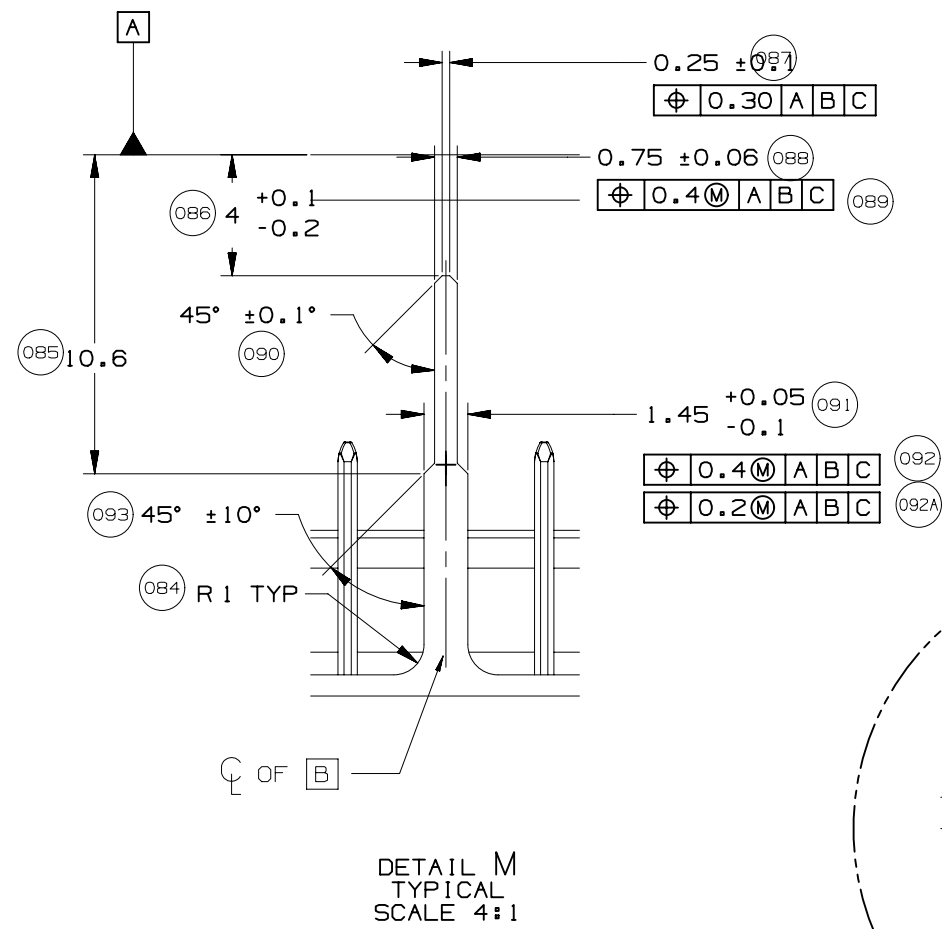
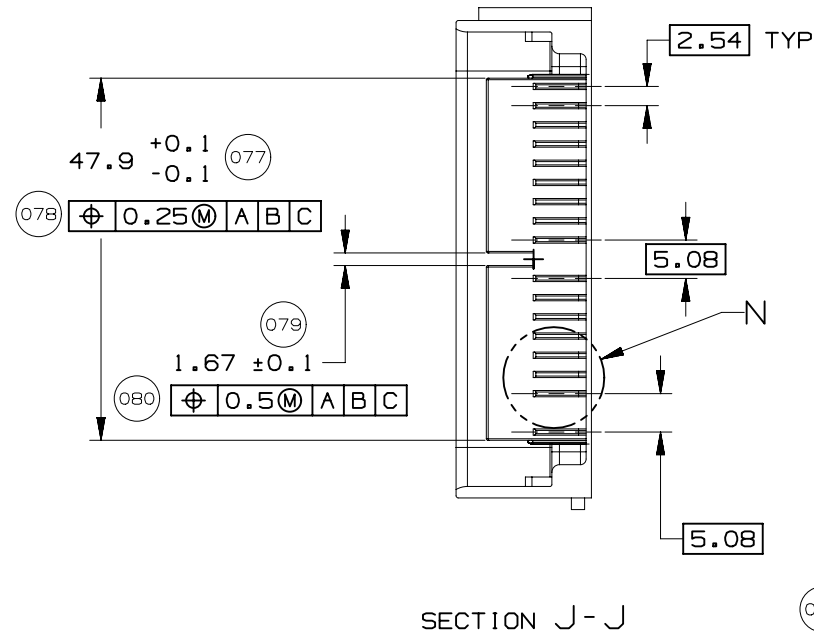
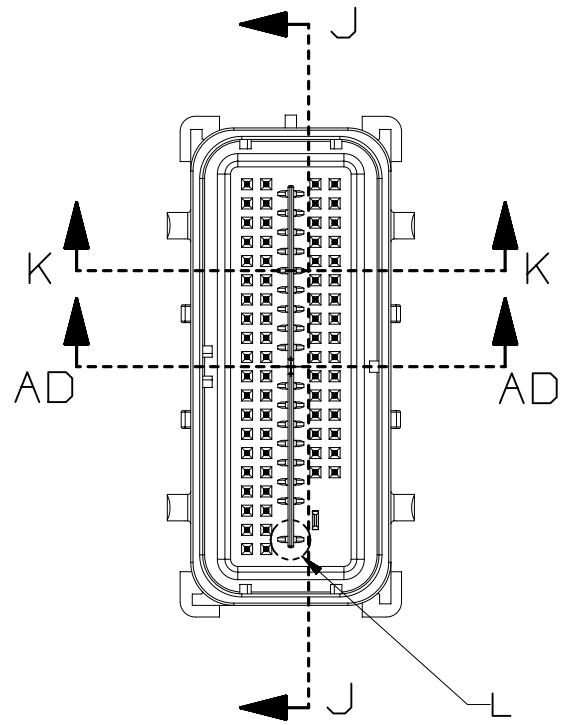


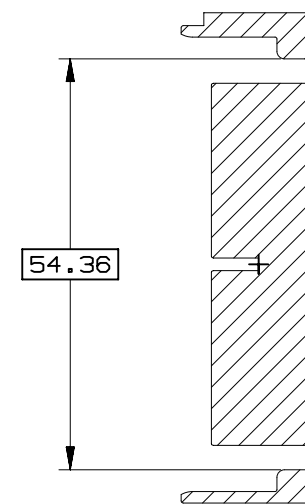
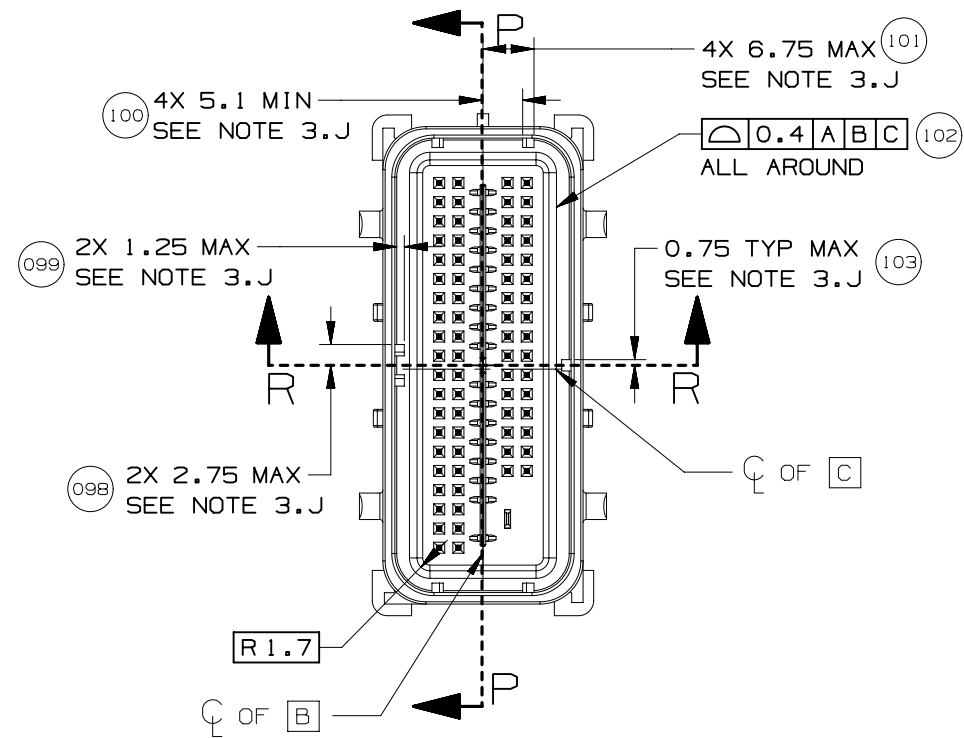


PAGE TITLE
 COMPONENT CONNECTOR INTERFACE

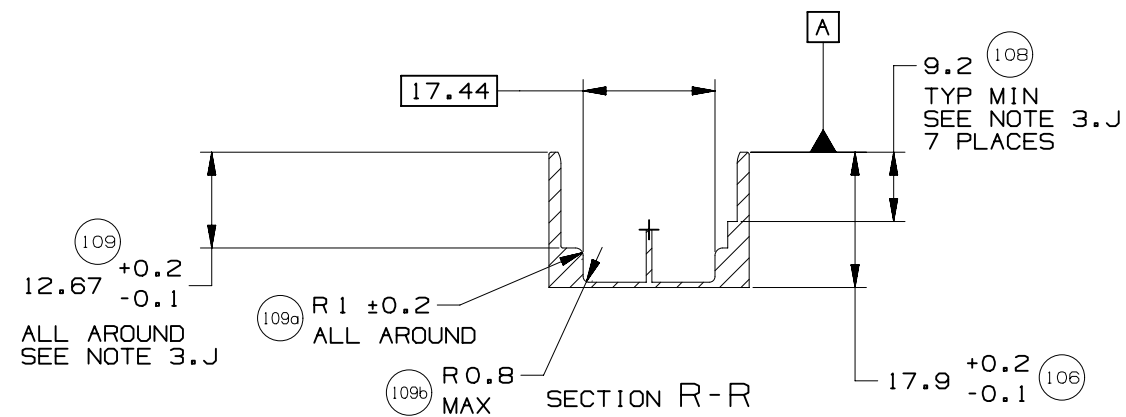
DRAWING NUMBER
 12642695

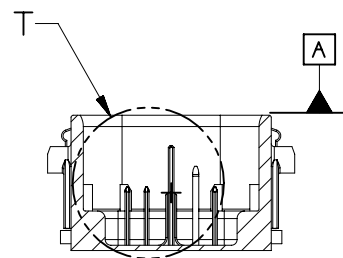
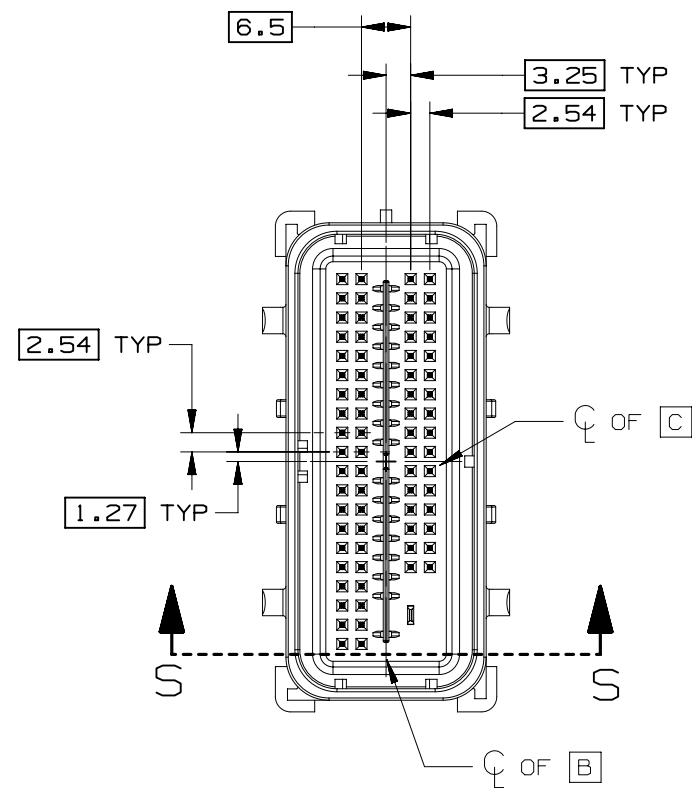
| DWG STATUS | | | PAGE NUMBER |
|------------|-----|-----|-------------|
| ST | REV | PD1 | |
| R | 002 | | 17 OF 21 |



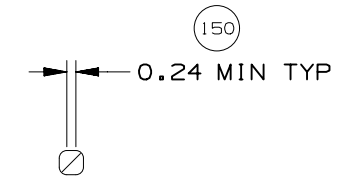
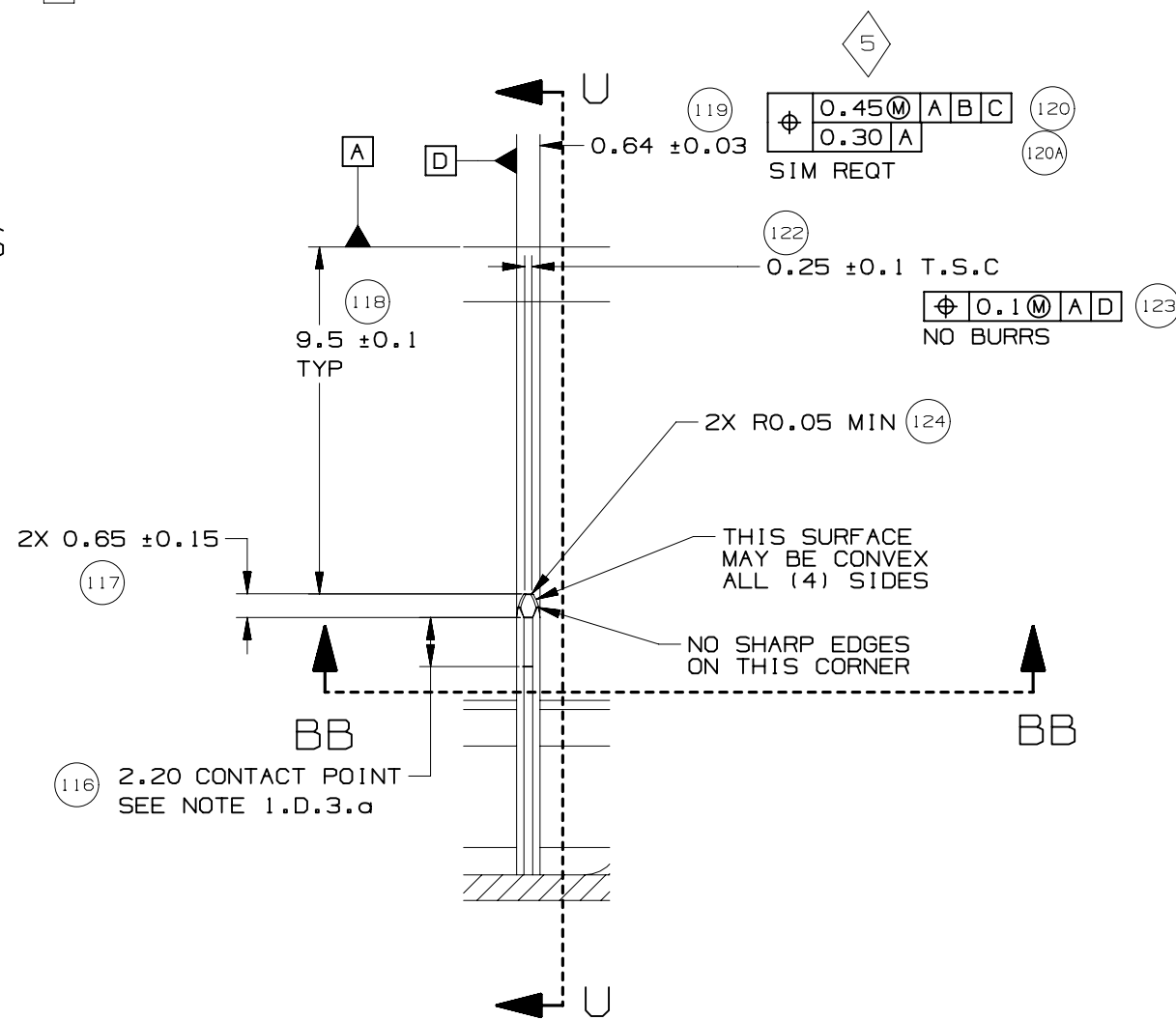


SECTION P-P

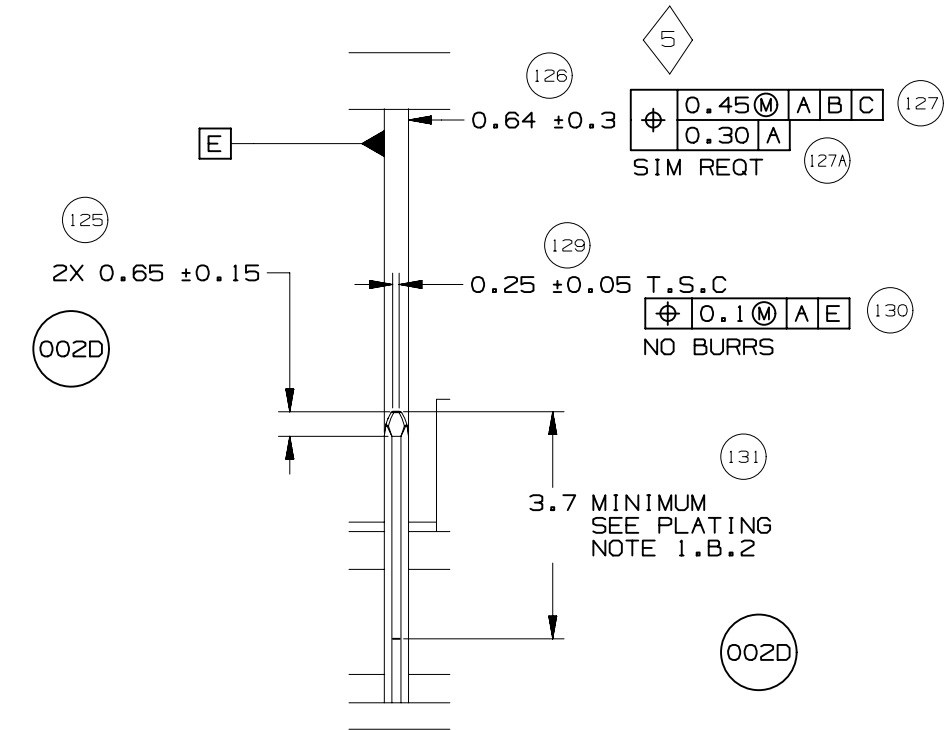




SECTION S-S

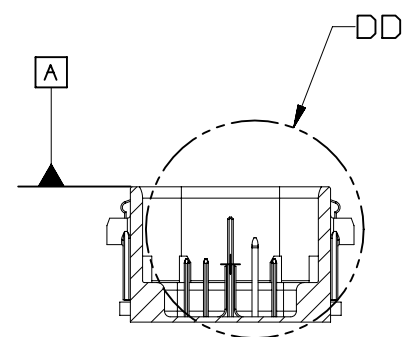
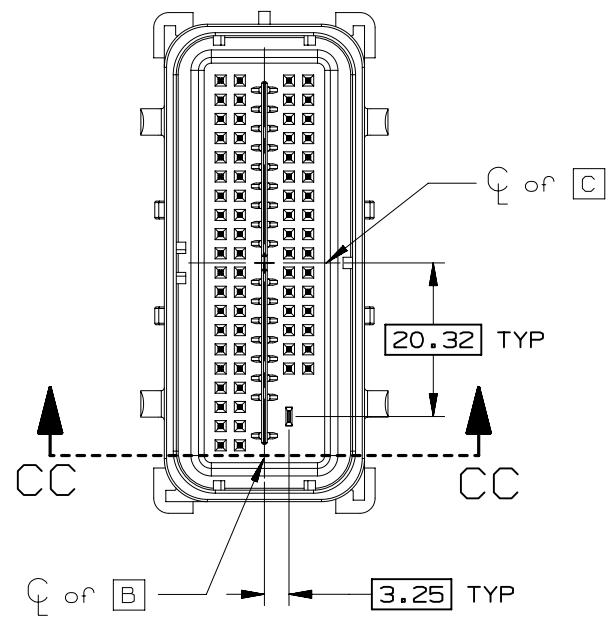


SECTION BB-BB

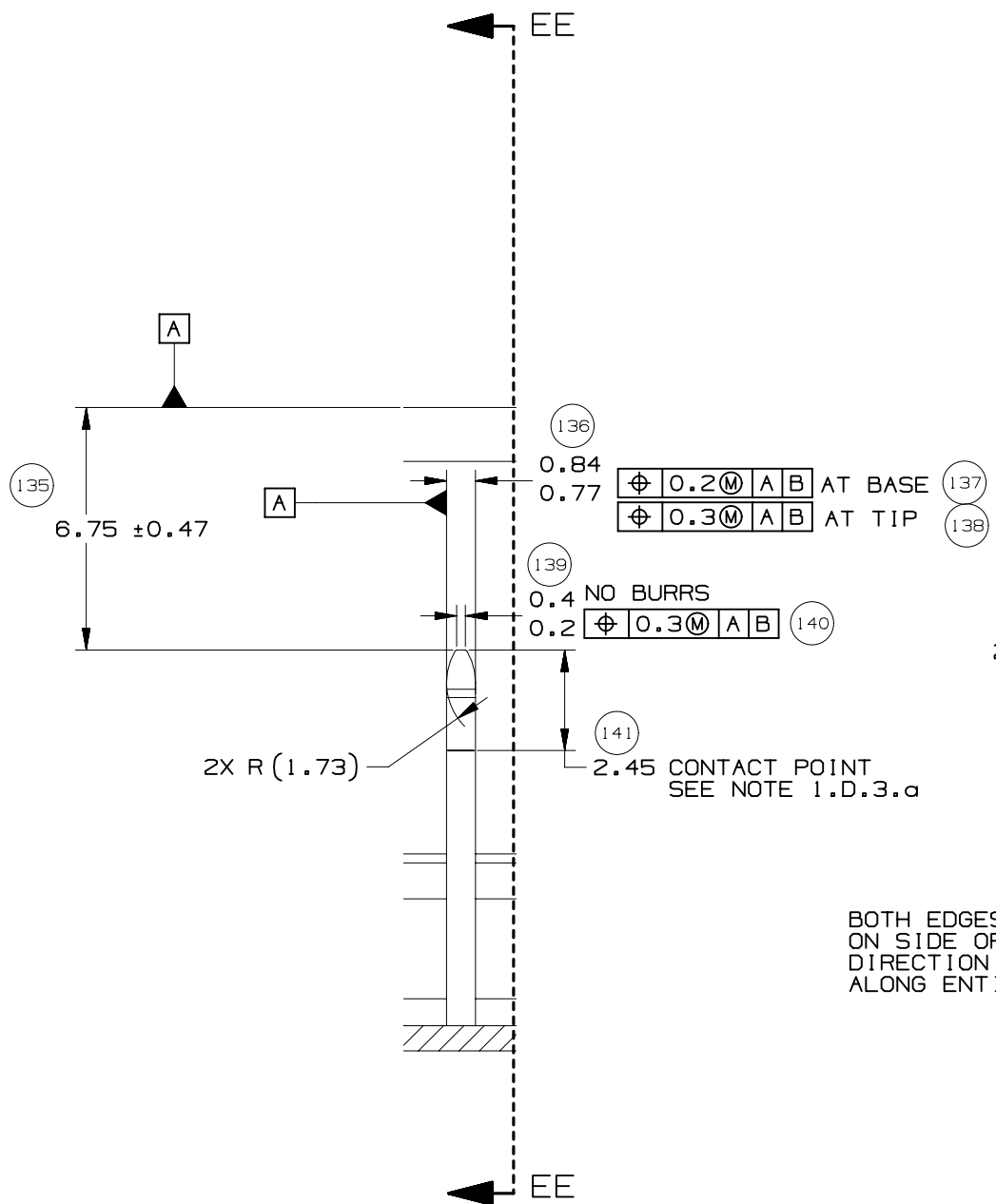


SECTION U-U

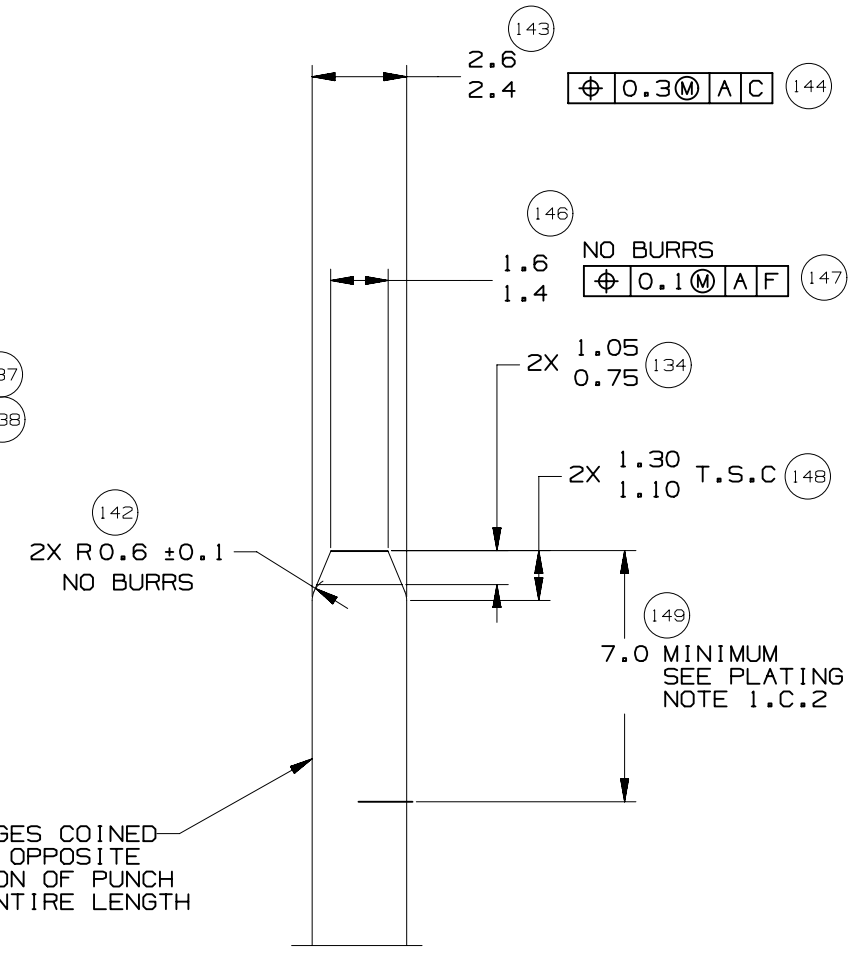




SECTION CC-CC

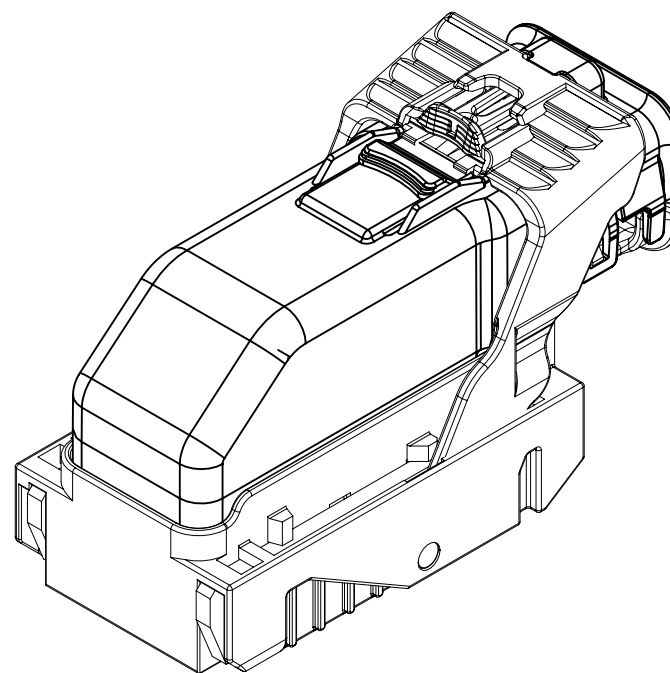


DETAIL DD
TYPICAL
SCALE 5:1


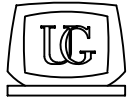


SECTION EE-EE
TYPICAL

| INDEX | |
|---|------|
| PAGE TITLE | PAGE |
| TITLE BLOCK | 1 |
| REVISION BLOCK | 2 |
| PART BLOCK | 3 |
| KPC BLOCK | 4 |
| COMPONENT TABLE | 5 |
| NOTES | 6 |
| NOTES | 7 |
| WIRE DRESS PACKAGING DIMENSIONS | 8 |
| LOCATION AND PACKAGING DIMENSIONS REFERENCING INTERFACE DATUMS B & C | 9 |
| LOCATION AND PACKAGING DIMENSIONS REFERENCING INTERFACE DATUM A | 10 |
| KEY ID REF - WIRE DRESS OPTION 0 | 11 |
| KEY ID REF - WIRE DRESS OPTION 9 | 12 |
| CIRCUIT CONFIGURATIONS | 13 |
| CIRCUIT CONFIGURATIONS | 14 |
| COMPONENT CONNECTOR INTERFACE | 15 |
| COMPONENT CONNECTOR INTERFACE | 16 |
| COMPONENT CONNECTOR INTERFACE | 17 |
| COMPONENT CONNECTOR INTERFACE | 18 |
| COMPONENT CONNECTOR INTERFACE | 19 |
| COMPONENT CONNECTOR INTERFACE | 20 |
| COMPONENT CONNECTOR INTERFACE | 21 |
| ADDITIONAL COMPONENTS REQUIRED | 22 |




ISO VIEW

|  | <p>UNLESS OTHERWISE SPECIFIED: THIS DOCUMENT IS IN ACCORDANCE WITH ASME Y14.5M-1994 AS AMMENDED BY THE GM GLOBAL DIMENSIONING AND TOLERANCING ADDENDUM-1997. ALL GEOMETRIC TOLERANCES AND RELATED DATUMS APPLY RFS. RULE #1 (PERFECT FORM AT MMC) DOES NOT APPLY WHEN A RELATIONSHIP BETWEEN FEATURES IS ESTABLISHED BY ORIENTATION OR LOCATION TOLERANCES. SEPARATE POSITION CALLOUTS MAY BE GAGED SEPARATELY REGARDLESS OF DATUM REFERENCES.</p> | | | DATE | | | | | | | | |
|---|---|--|--|--|--|------------|--|--|----|-----|-----|---|
| |  CHANGE RESTRICTED NO MANUAL CHANGES | REFERENCE 12H (MOLEX AUTOMOTIVE) | DRAFTER APVD1 APVD2 APVD3 APVD4 APVD5 | 05JN15 | | | | | | | | |
| DO NOT SCALE | | DRAWING NAME HARNESS CONN ASM-SEALED 52/66/73/80 CKTS, MX123 | | | | | | | | | | |
| METRIC DIMENSIONS SHOWN IN MILLIMETERS UNLESS OTHERWISE SPECIFIED | | | | | | | | | | | | |
| | | DRAWING NUMBER 12672833 | | PAGE NUMBER | | | | | | | | |
| | | | | <table border="1"> <thead> <tr> <th colspan="3">DWG STATUS</th> </tr> <tr> <th>ST</th> <th>REV</th> <th>PD1</th> </tr> </thead> <tbody> <tr> <td style="text-align: center;">R</td> <td style="text-align: center;">001</td> <td></td> </tr> </tbody> </table> | | DWG STATUS | | | ST | REV | PD1 | R |
| DWG STATUS | | | | | | | | | | | | |
| ST | REV | PD1 | | | | | | | | | | |
| R | 001 | | | | | | | | | | | |
| | | 1 | | OF 22 | | | | | | | | |

| PAGE | DWG STATUS | | | | | REVISION HISTORY | AUTH | DR | CK | ENG |
|------|------------|----|-----|-----|-----|---------------------------------|--------|-----|----|-----|
| | DATE | ST | REV | CHG | PDI | | | | | |
| | 05JN15 | R | 001 | | | RELEASED TO PRODUCTION AT DLS A | CRMRJE | DFK | | |

| PAGE | DWG STATUS | | | | | REVISION HISTORY | AUTH | DR | CK | ENG |
|------|------------|----|-----|-----|-----|------------------|------|----|----|-----|
| | DATE | ST | REV | CHG | PDI | | | | | |
| | | | | | | | | | | |

| | | | | | | | |
|---|----------------|----------------|------------|-----|-----|-------------|---------|
|  | PAGE TITLE | DRAWING NUMBER | DWG STATUS | | | PAGE NUMBER | |
| | REVISION BLOCK | | 12672833 | ST | REV | | PDI |
| | | | R | 001 | | | 2 OF 22 |

KEY PRODUCT CHARACTERISTICS
(IN ACCORDANCE WITH QN 1805 OR ON 1050)



SAFETY/COMPLIANCE

TOTAL ON
DRAWING

4



FIT/FUNCTION

LAST NO.
USED

4

| NO | TYPE | DESCRIPTION | RATIONALE | PAGE/ZONE |
|----|------|---------------------------------|-------------------------------------|-----------|
| 1 | F/F | 32.68 | IMPROVE CONNECTOR SYSTEM MATING | 16 |
| 2 | F/F | 29.00 | INSURE PROPER RELEASE OF LEVER | 16 |
| 3 | F/F | 15.25 | INSURE FINAL MATE POSITION | 17 |
| 4 | F/F | POSITIONAL TOLERANCE (2 PLACES) | INSURE CONNECTOR SYSTEM MATEABILITY | 20 |



PAGE TITLE
KPC BLOCK

DRAWING NUMBER

12672833

DWG STATUS

| | | |
|----|-----|-----|
| ST | REV | PDI |
|----|-----|-----|

| | | |
|---|-----|--|
| R | 001 | |
|---|-----|--|

PAGE NUMBER

4 OF 22

| LINE | MFG. | MFG. P/N | GM P/N | EFFECTIVE DATE | APPLICABLE COMPONENTS | KEY OPTION | WIRE DRESS OPTION | KEY CONFIG. | COLOR | STATUS |
|------|--------|--------------|----------|----------------|--|------------|-------------------|-------------|---------|------------|
| | | | | | DESCRIPTION | | | | | |
| - | | | | | | | | | | |
| 1 | MOLEX | 34565-0003 | 12582676 | 02JN03 | MX123 DRESS COVER 52/66/73/80 CKT | N/A | N/A | N/A | BLACK | AVAILABLE |
| 2 | MOLEX | 160094-0001 | 12672852 | 01SP13 | MX123 HRNS CONN ASSY 52 CKT | A | 0 | 1458 | BLACK | AVAILABLE |
| 3 | MOLEX | 160094-0003 | 12672854 | 01SP13 | MX123 HRNS CONN ASSY 52 CKT | C | 0 | 2467 | BLUE | AVAILABLE |
| 4 | MOLEX | 160094-0013 | 12672853 | 01SP13 | MX123 HRNS CONN ASSY 52 CKT | A | 9 | 1458 | BLACK | AVAILABLE |
| 5 | MOLEX | 160094-0015 | 12672855 | 01SP13 | MX123 HRNS CONN ASSY 52 CKT | C | 9 | 2467 | BLUE | AVAILABLE |
| 6 | MOLEX | 34822-0013 | 12672856 | 01SP13 | MX123 HRNS CONN ASSY 66 CKT | A | 0 | 1458 | BLACK | AVAILABLE |
| 7 | MOLEX | 34822-0033 | 12672858 | 01SP13 | MX123 HRNS CONN ASSY 66 CKT | C | 0 | 2467 | BLUE | AVAILABLE |
| 8 | MOLEX | 34822-0023 | 12672857 | 01SP13 | MX123 HRNS CONN ASSY 66 CKT | A | 9 | 1458 | BLACK | AVAILABLE |
| 9 | MOLEX | 34822-0043 | 12672859 | 01SP13 | MX123 HRNS CONN ASSY 66 CKT | C | 9 | 2467 | BLUE | AVAILABLE |
| 10 | MOLEX | 34566-0103 | 12672860 | 11JN04 | MX123 HRNS CONN ASSY 73 CKT | A | 0 | 1458 | BLACK | AVAILABLE |
| 11 | MOLEX | 34566-0203 | 12672862 | 11JN04 | MX123 HRNS CONN ASSY 73 CKT | B | 0 | 1468 | ST GRAY | AVAILABLE |
| 12 | MOLEX | 34566-0303 | 12672864 | 09AP08 | MX123 HRNS CONN ASSY 73 CKT | C | 0 | 2467 | BLUE | AVAILABLE |
| 13 | MOLEX | 34566-0603 | 12672866 | 05DC14 | MX123 HRNS CONN ASSY 73 CKT | F | 0 | 1357 | NATURAL | AVAILABLE |
| 14 | MOLEX | 34566-1303 | 12672861 | 11JN04 | MX123 HRNS CONN ASSY 73 CKT | A | 9 | 1458 | BLACK | AVAILABLE |
| 15 | MOLEX | 34566-1403 | 12672863 | 11JN04 | MX123 HRNS CONN ASSY 73 CKT | B | 9 | 1468 | ST GRAY | AVAILABLE |
| 16 | MOLEX | 34566-1503 | 12672865 | 09AP08 | MX123 HRNS CONN ASSY 73 CKT | C | 9 | 2467 | BLUE | AVAILABLE |
| 17 | MOLEX | 34566-1803 | 12672867 | 05DC14 | MX123 HRNS CONN ASSY 73 CKT | F | 9 | 1357 | NATURAL | AVAILABLE |
| 18 | MOLEX | 34566-0703 | 12672872 | 09AP08 | MX123 HRNS CONN ASSY 80 CKT | G | 0 | 1358 | BLUE | AVAILABLE |
| 19 | MOLEX | 34566-0803 | 12672870 | 11JN04 | MX123 HRNS CONN ASSY 80 CKT | H | 0 | 2458 | ST GRAY | AVAILABLE |
| 20 | MOLEX | 34566-0903 | 12672868 | T.B.D | MX123 HRNS CONN ASSY 80 CKT | J | 0 | 2457 | BLACK | NOT ACTIVE |
| 21 | MOLEX | 34566-1903 | 12672873 | 09AP08 | MX123 HRNS CONN ASSY 80 CKT | G | 9 | 1358 | BLUE | AVAILABLE |
| 22 | MOLEX | 34566-2003 | 12672871 | 11JN04 | MX123 HRNS CONN ASSY 80 CKT | H | 9 | 2458 | ST GRAY | AVAILABLE |
| 23 | MOLEX | 34566-2103 | 12672869 | T.B.D | MX123 HRNS CONN ASSY 80 CKT | J | 9 | 2457 | BLACK | NOT ACTIVE |
| 24 | MOLEX | 34736-0028 | 12672851 | 01AU10 | MX64 RCPT TERM Ag 0.5mm/0.75mm ISO GAGE B (RIGHT PAYOFF) | N/A | N/A | N/A | N/A | AVAILABLE |
| 25 | MOLEX | 34736-0026 | 12672850 | 01AU10 | MX64 RCPT TERM Ag 0.35mm ISO GAGE B (RIGHT PAYOFF) | N/A | N/A | N/A | N/A | AVAILABLE |
| 26 | MOLEX | 34586-0001 | 12674820 | 11JN04 | MX123 0.64mm GROMMET PLUG | N/A | N/A | N/A | NATURAL | AVAILABLE |
| 27 | YAZAKI | 7116-4150-02 | 12588066 | 02JN03 | 2.8mm YESC SEALED FEMALE TERMINAL TIN 0.35mm2-0.50mm2 | N/A | N/A | N/A | N/A | NOT ACTIVE |
| 28 | YAZAKI | 7116-4151-02 | 12588067 | 02JN03 | 2.8mm YESC SEALED FEMALE TERMINAL TIN 0.75mm2-1.0mm2 | N/A | N/A | N/A | N/A | NOT ACTIVE |
| 29 | YAZAKI | 7116-4152-02 | 12582685 | 02JN03 | 2.8mm YESC SEALED FEMALE TERMINAL TIN 1.5mm2-2.5mm2 | N/A | N/A | N/A | N/A | AVAILABLE |
| 30 | YAZAKI | 7158-3111-60 | 12588068 | 02JN03 | 2.8mm CABLE SEAL (wire O.D. range 1.2mm-1.9mm) | N/A | N/A | N/A | GREEN | NOT ACTIVE |
| 31 | YAZAKI | 7158-3112-70 | 12588069 | 02JN03 | 2.8mm CABLE SEAL (wire O.D. range 1.8mm-2.3mm) | N/A | N/A | N/A | YELLOW | NOT ACTIVE |
| 32 | YAZAKI | 7158-3113-40 | 12582686 | 02JN03 | 2.8mm CABLE SEAL (wire O.D. range 2.1mm-3.0mm) | N/A | N/A | N/A | WHITE | AVAILABLE |
| 33 | YAZAKI | 7158-3114-90 | 12674821 | 02JN03 | 2.8mm YESC CAVITY PLUG | N/A | N/A | N/A | BLUE | AVAILABLE |
| 34 | MOLEX | 63825-8400 | N/A | 02JN03 | MX64 TERM HAND CRIMP TOOL | N/A | N/A | N/A | N/A | AVAILABLE |
| 35 | MOLEX | 63813-1400 | XX019826 | 02JN03 | MX64 TERM SERVICE TOOL | N/A | N/A | N/A | N/A | AVAILABLE |
| 36 | MOLEX | 63902-5300 | N/A | 02JN03 | MX64 CRIMP APPLICATOR with TOOL KIT 0.5/0.75mm2 PAYOFF DIRECTION D (left payoff) (contact Molex for payoff detail) | N/A | N/A | N/A | N/A | AVAILABLE |
| 37 | MOLEX | 63902-5370 | N/A | 02JN03 | MX64 APPLICATOR TOOL KIT 0.5/0.75mm2 | N/A | N/A | N/A | N/A | AVAILABLE |
| 38 | MOLEX | 63902-5100 | N/A | 02JN03 | MX64 CRIMP APPLICATOR with TOOL KIT 0.35mm2 PAYOFF DIRECTION D (left payoff) (contact Molex for payoff detail) | N/A | N/A | N/A | N/A | AVAILABLE |
| 39 | MOLEX | 63902-5170 | N/A | 02JN03 | MX64 APPLICATOR TOOL KIT 0.35mm2 | N/A | N/A | N/A | N/A | AVAILABLE |
| 40 | SPX | J35616-64 | T.B.D. | 02JN03 | 0.64mm PROBE TOOL (for rcpt) | N/A | N/A | N/A | N/A | AVAILABLE |
| 41 | SPX | J35616-64A | T.B.D. | 02JN03 | 0.64mm PROBE TOOL WITH EXT (for rcpt) | N/A | N/A | N/A | N/A | AVAILABLE |
| 42 | SPX | J35616-65 | T.B.D. | 02JN03 | 0.64mm PROBE TOOL WITH EXT (for pin) | N/A | N/A | N/A | N/A | AVAILABLE |
| 43 | SPX | J35616-4A | T.B.D. | 02JN03 | 2.8mm PROBE TOOL (for rcpt) | N/A | N/A | N/A | N/A | AVAILABLE |
| 44 | YAZAKI | X39899-J374 | 12094430 | 02JN03 | 2.8mm TERM SERVICE TOOL | N/A | N/A | N/A | N/A | AVAILABLE |
| 45 | TQI | 7000-1006 | N/A | 15JN15 | 52 CKT PASS THROUGH ADAPTERS | N/A | N/A | N/A | BLACK | AVAILABLE |
| 46 | TQI | 7000-1002 | N/A | 15JN15 | 66 CKT PASS THROUGH ADAPTERS | N/A | N/A | N/A | BLACK | AVAILABLE |
| 47 | TQI | 79917-0061 | N/A | 15JN15 | 73 CKT PASS THROUGH ADAPTERS | N/A | N/A | N/A | BLACK | AVAILABLE |
| 48 | TQI | 79917-0066 | N/A | 15JN15 | 80 CKT PASS THROUGH ADAPTERS | N/A | N/A | N/A | BLACK | AVAILABLE |

* - MX123 DRESS COVER 52/66/73/80 CKT MATES TO ANY MX123 HARN CONN ASSY SHOWN ON TABLE ABOVE



PAGE TITLE
COMPONENT TABLE

DRAWING NUMBER

12672833

DWG STATUS

ST REV PDI

R 001

PAGE NUMBER

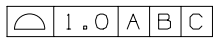
5 OF 22

NOTES: UNLESS OTHERWISE SPECIFIED

1. MATERIAL FOR INTERFACE:


- A. RESIN:
 - 1. 30% G.F. PBT; 20% MAX. (BY WEIGHT) REGRIND.
 - 2. MATING CONNECTOR INTERFACE PART COLOR MUST BE SAME AS MATCHING KEYED HARNESS CONNECTOR ASSEMBLY.
 - 3. MUST BE VALIDATED FOR INDIVIDUAL DEVICE APPLICATION REQUIREMENTS.
- B. 0.64MM PINS:
 - 1. BASE MATERIAL: COPPER ALLOY; CONDUCTIVITY >= 28% IACS AT 20°C; TENSILE STRENGTH >= 635 N/mm²; SURFACE ROUGHNESS R_a 6 MAX.
 - 2. PLATING FINISH: SILVER (Ag). PLATING TO BE 1.9-3.3 μm ELECTRODEPOSITED SEMI-BRIGHT SILVER OVER 1.25-2.25 μm DUCTILE SULPHAMATE NICKEL PER NOTE 1(D).
 - 3. ANTI-TARNISH: SYNTHETIC HYDROCARBON CONTACT SURFACE FINISH OR EQUIVALENT APPLIED WITHOUT VOID TO CONTACT AREA (MIN 3.7mm FROM PIN TIP).
- C. 2.8MM BLADE:
 - 1. BASE MATERIAL: COPPER ALLOY; CONDUCTIVITY >= 28% IACS AT 20°C; TENSILE STRENGTH >= 350 N/mm²; SURFACE ROUGHNESS R_a 6 MAX.
 - 2. PLATING FINISH: TIN. PLATING TO BE 2.5-5.0 μm ELECTRODEPOSITED TIN, MATTE FINISH OVER 1.25-2.5 μm DUCTILE SULPHAMATE NICKEL PER NOTE 1(D).
- D. PLATING REQUIREMENTS:
 - 1. SILVER PLATING
 - a. 99.5% PURE SEMI-BRIGHT WITH NO ORGANIC BRIGHTNERS OR CHROMATES.
 - 2. NICKEL PLATING
 - a. ELECTRODEPOSITED DUCTILE SULFAMATE NICKEL WITH A NON-BRIGHTENED FINISH. NO ORGANIC OR BRIGHTENING AGENTS SHALL BE ALLOWED.
 - b. SHALL ONLY BE USED AS AN UNDERLYING PLATING AND MAY NOT BE USED AS AN ELECTRICAL CONTACT SURFACE PLATING.
 - c. SHALL BE NODULE FREE WHEN VIEWED AT 10X MAGNIFICATION IN MEASURED IN CONTACT SURFACE AREA PLUS 0.5MM PERIMETER AROUND THE CONTACT SURFACE AREA.
 - d. ALL PLATINGS SHALL HAVE A 1.0% MAXIMUM BY WEIGHT IMPURITIES. IMPURITIES ARE DEFINED AS ALL ELEMENTS NOT THE PRIMARY PLATING OR HARDENING AGENT IF APPLICABLE, AS DETERMINED BY WET CHEMICAL ANALYSIS OR AUGER METHOD. NO SINGLE IMPURITY SHALL EXCEED 0.1% MAXIMUM BY WEIGHT.
 - 3. TESTING
 - a. THICKNESS TO BE MEASURED IN CONTACT SURFACE AREA PLUS 0.5MM PERIMETER AROUND THE CONTACT SURFACE AREA AS DESIGNATED IN THE DRAWING. THICKNESS SHALL BE DETERMINED BY METHOD OF X-RAY (XRF).
 - b. PLATING ADHESION SHALL BE TESTED BY A BEND TEST FOR ALL METALS. THE TEST SAMPLE SHALL BE BENT 90 DEGREES TO DETERMINE DEPOSIT ADHESION. TESTING SHALL BE COMPLETED IN ACCORDANCE WITH ASTM SPEC B571.

2. DESIGN - GENERAL:

- A. THIS IS A 100% CAD GENERATED PART. THE CAD MATHEMATICAL DATA IS THE MASTER FOR THIS PART. FOR DIMENSIONAL OR ANY INFORMATION NOT SHOWN ON THIS DRAWING, ANALYZE THE CAD MODEL.
- B. TOLERANCES:
 - 1. LINEAR
 - 0.X ± 0.30
 - 0.XX ± 0.10
 - 0.XXX ± 0.10
 - 2. ANGULAR X° ± 3°
 - 3. 
- C. MINIMUM WALL THICKNESS REQUIRED: 1.3mm.
- D. CORNERS SHOWN AS SHARP TO BE R 0.2 MAX.
- E. LETTERING SHALL BE 0.15 MAX RAISED IN 0.20 MAX RECESS PAD. THIS INCLUDES MATERIAL CODE, RECYCLING CODE, CAVITY ID AND DATE CODE.
- F-1. PARTS MUST BE FREE OF DISCOLORATION, SALT RESIDUE AND OTHER IMPERFECTIONS THAT AFFECT FIT OR FUNCTION.
- F-2. SCRATCHES OR DENTS NOT TO EXCEED 0.013mm IN DEPTH.
- G. FOLLOWING PRODUCTION CODES TO BE PERMANENTLY MARKED & HUMAN READABLE TO A LETTER HEIGHT OF 1.5 ± 0.5MM X 0.3 MAX DEEP
 - 1. MATERIAL #: XXXXX-XXXX
 - 2. DATE CODE: JJJY (JULIAN DAY, LAST DIGIT OF YEAR)
 - 3. INSPECTION MACHINE CODE + SERIAL #: X_XXXXX

3. DESIGN - MANUFACTURING:

- A. DRAFT TO BE WITHIN TOLERANCE.
- B. ALLOWABLE FLASH MAX 0.2 HIGH X MAX 0.13 THICK.
- C. ALLOWABLE PARTING LINE MISMATCH 0.2 MAX.
- D. EJECTOR PINS MARK TO BE FLUSH TO 0.25 MAX DEPRESSED.
- E. ALLOWABLE GATE VESTIGE FLUSH TO 0.25 MAX PROTRUSION.
- F. NO EXTERNAL MOLD RELEASE AGENT ALLOWED DURING MANUFACTURING.
- G. STEEL THAT FORMS THE INDICATED SURFACE MUST BE POLISHED WITH A DIAMOND FINISH (SPI A-2) OVER THE FULL PERIPHERY OF THE TOOL. SURFACE MUST HAVE NO MISMATCH.
- H. ANY PROCESS LUBRICANT REMAINING ON THE TERMINAL MUST NOT VARNISH OR DEGRADE IT'S ELECTRICAL PERFORMANCE UP TO A MAXIMUM CLASS AMBIENT TEMPERATURE PER SAE USCAR-2 FOR 1008 HOURS. PROCESS LUBRICANTS SHOULD BE APPROVED BY THE RESPONSIBLE ENGINEER.
- J. OPTIONAL FEATURES PROVIDED FOR AUTOMATION.
- K. PART MUST BE FREE FROM BURRS AND SHARP EDGES, WHICH MIGHT BE DETRIMENTAL TO SATISFACTORY ASSEMBLY, SAFE HANDLING OR FUNCTION OF PART.
- L. PARTS AS DELIVERED TO ASSEMBLY SHALL BE CLEAN AND FREE OF DEBRIS, RESIDUAL ABRASIVE MATERIAL AND CORROSION PRODUCTS ADVERESLY AFFECTING FUNCTION OR APPEARANCE.
- M. RESTRICTED AND REPORTABLE SUBSTANCES FOR PARTS PER GMW3059.

| | | | | | | | |
|---|------------|----------------|------------|----|-----|-------------|---------|
|  | PAGE TITLE | DRAWING NUMBER | DWG STATUS | | | PAGE NUMBER | |
| | NOTES | | 12672833 | ST | REV | PDI | 6 OF 22 |
| | | | | R | 001 | | |

NOTES: UNLESS OTHERWISE SPECIFIED

4. SYSTEM REQUIREMENTS:

- A. HARNESS CONNECTOR IS COMPATIBLE WITH THE FOLLOWING ISO WIRE SIZE NO'S:
 0.35mm², MEETING GMW15626 - MIN OD OF 1.30MM
 0.50mm², MEETING GMW15626
 0.75mm², MEETING GMW15626 - MAX OD OF 2.06MM

B. CABLE TIE SPECIFICATIONS:

1. CABLE TIE:
 TENSILE RATING: 220N / (50lbs) MIN
 TIE LENGTH: 186mm MIN
 TIE WIDTH: 4.75mm MAX
 MATERIAL: NYLON
 2. INSTALLATION:
 CABLE TIE TENSION: 190N MIN
 3. DRESSED WIRE BUNDLE PACKAGING: SEE FIG. 1

C. WHEN MATED WITH COMPONENT CONNECTOR INTERFACE AND/OR DRESS COVER, HARNESS CONNECTOR SYSTEM CONFORMS TO THE FOLLOWING:

1. SAE/USCAR-2, REV: 3 APRIL, 2001; CLASS 3
 2. FIELD CORRELATED LIFE TEST, SAE/USCAR-20, NOV. 2001
 3. GMW #3191 AUGUST 22, 2000 (DRAFT); TEMPERATURE CLASS 3, SEALING CLASS 1, VIBRATION CLASS 2
 4. RESTRICTED AND REPORTABLE CHEMICALS PER GMW #3059, REV: D AUGUST 2002
 5. TPA USER FORCES (FULLY POPULATED WITH TERMINALS)
 a. REMOVAL FROM LOCK TO PRE-SET: <=120N

D. WIRE SPECIFICATIONS:

1. WIRE SURFACE MUST BE FREE OF SCRATCHES, GROOVES OR DENTS WHERE FUNCTIONAL

5. TERMINAL CURRENT RATINGS:

A. MX64 RCPT TERM

ALL TESTING DONE IN ACCORDANCE WITH USCAR-2 REV5 SECTION 5.3

1. MX64 RCPT TERM Ag 0.50/0.75mm² CRIMPED TO 0.75mm² ISO WIRE AND MATED TO MX123 0.64MM PIN: SEE TABLE BELOW
 2. MX64 RCPT TERM Ag 0.35mm² CRIMPED TO 0.35mm² ISO WIRE AND MATED TO MX123 0.64MM PIN: SEE TABLE BELOW

| WIRE | CURRENT RATING | | | |
|---------------------|----------------|-------|-------|-------|
| | 23°C | 85°C | 105°C | 125°C |
| 0.75mm ² | 11.3A | 11.3A | 9.5A | 6.6A |
| 0.50mm ² | 10.0A | 10.0A | 8.3A | 5.7A |
| 0.35mm ² | 8.5A | 8.5A | 7.1A | 5.0A |

B. 2.8MM RCPT TERM

ALL TESTING DONE IN ACCORDANCE WITH MOLEX DVP&R 0279 (TR # 7125)

1. 2.8MM RCPT TERM TIN 2.0mm² CRIMPED TO 2.0mm² ISO WIRE AND MATED TO MX123 2.8MM BLADE: 25.6 AMPS AT 125°C

6. CONTACT MOLEX AUTOMOTIVE FOR AVAILABLE CUSTOM PATTERNS OF CAVITIES OPEN FOR CIRCUITS - SEE GM DRAWING 13507496



PAGE TITLE
NOTES

DRAWING NUMBER

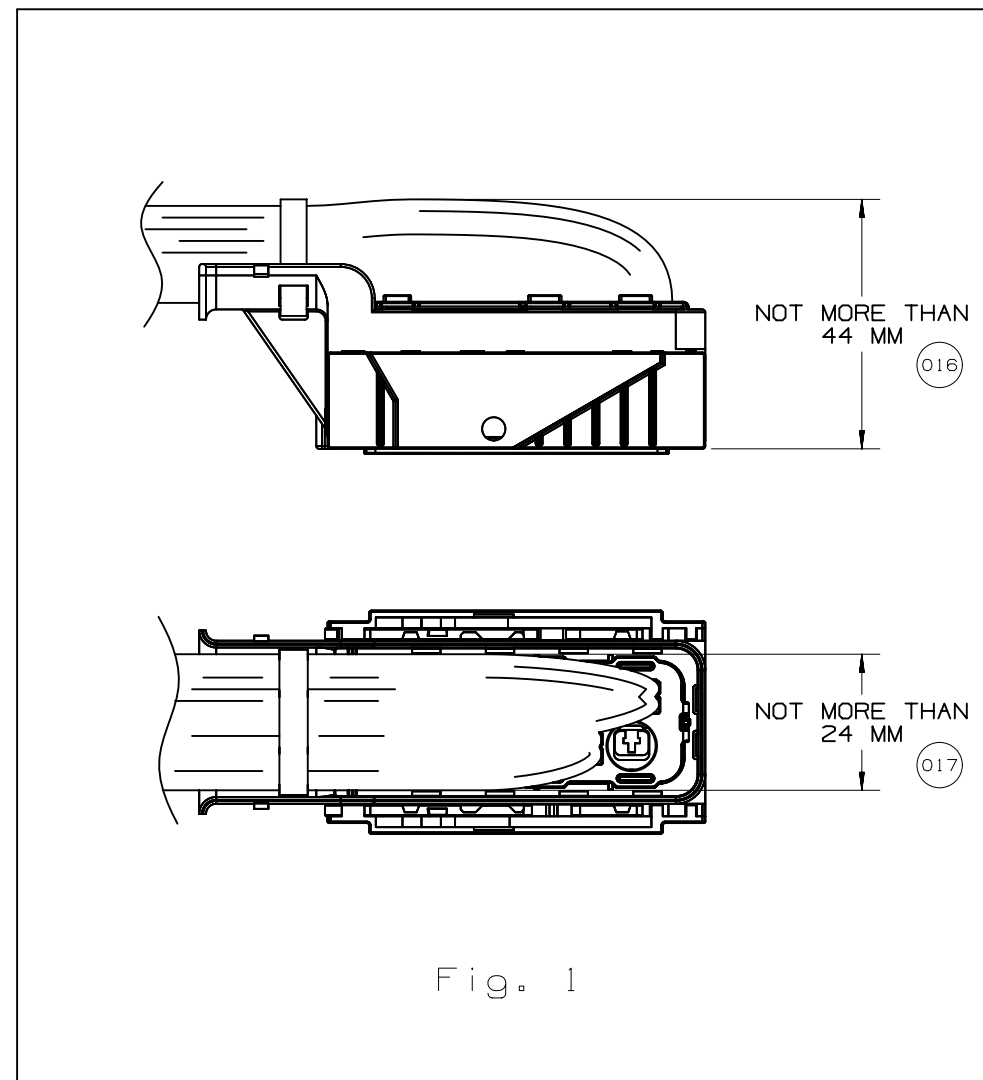
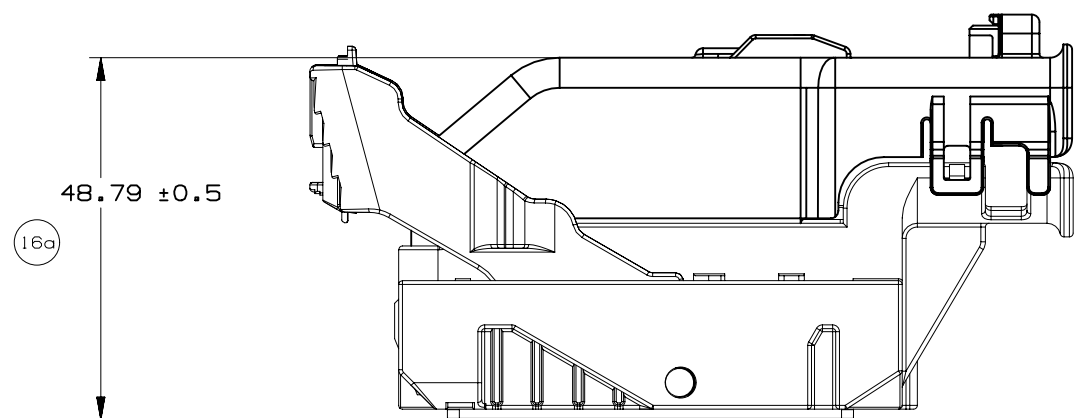
12672833

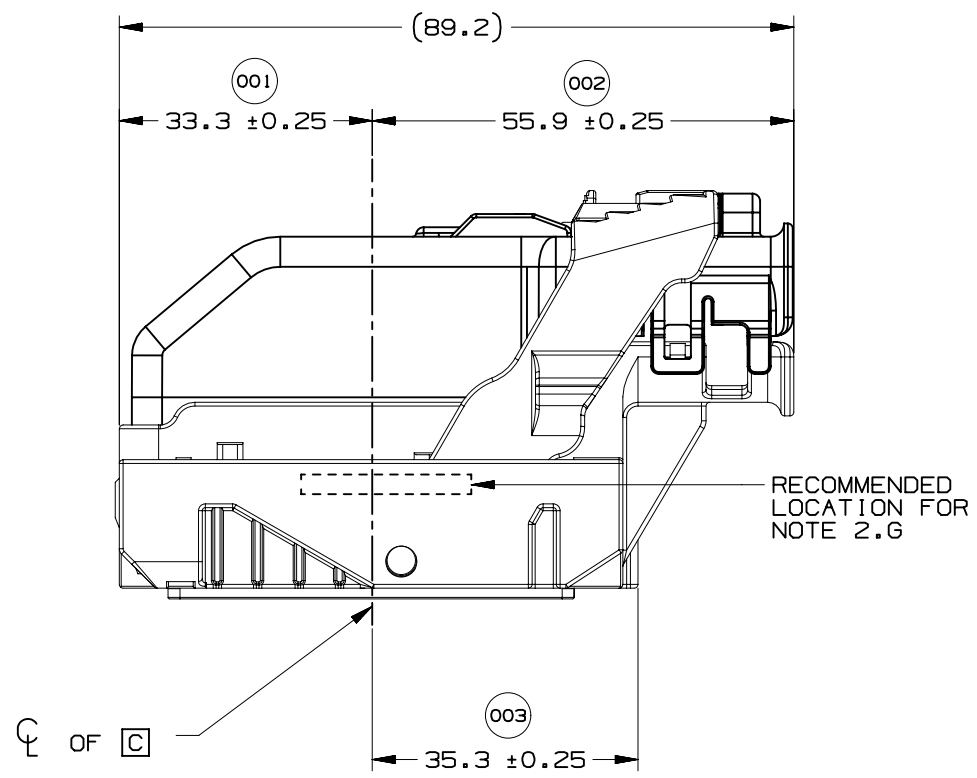
DWG STATUS

| ST | REV | PDI |
|----|-----|-----|
| R | 001 | |

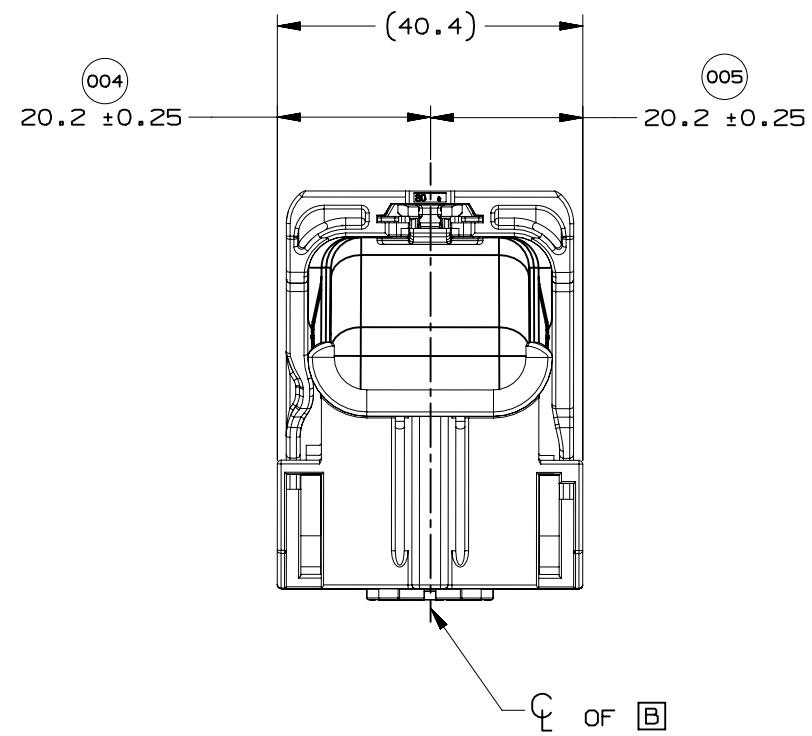
PAGE NUMBER

7 OF 22

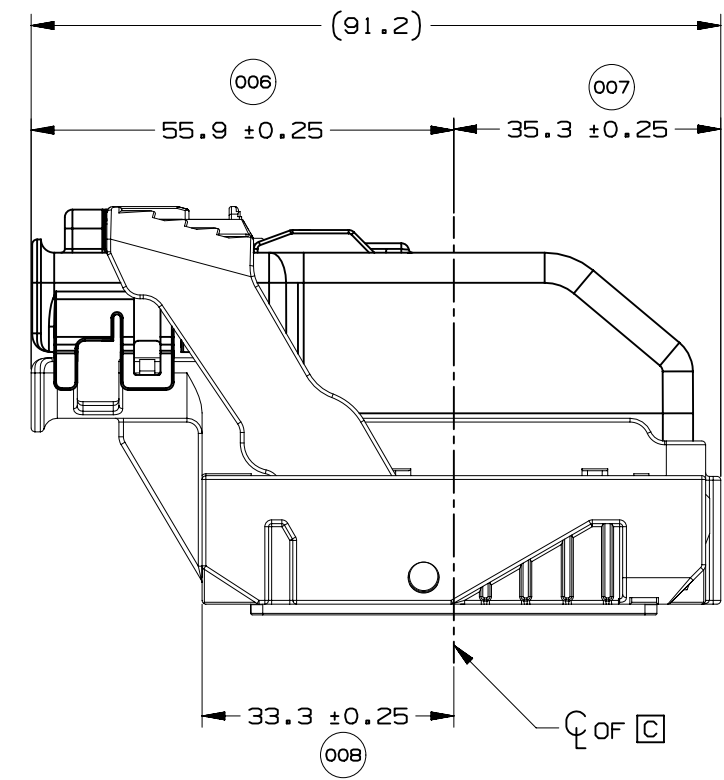




WIRE DRESS OPTION 0 SHOWN

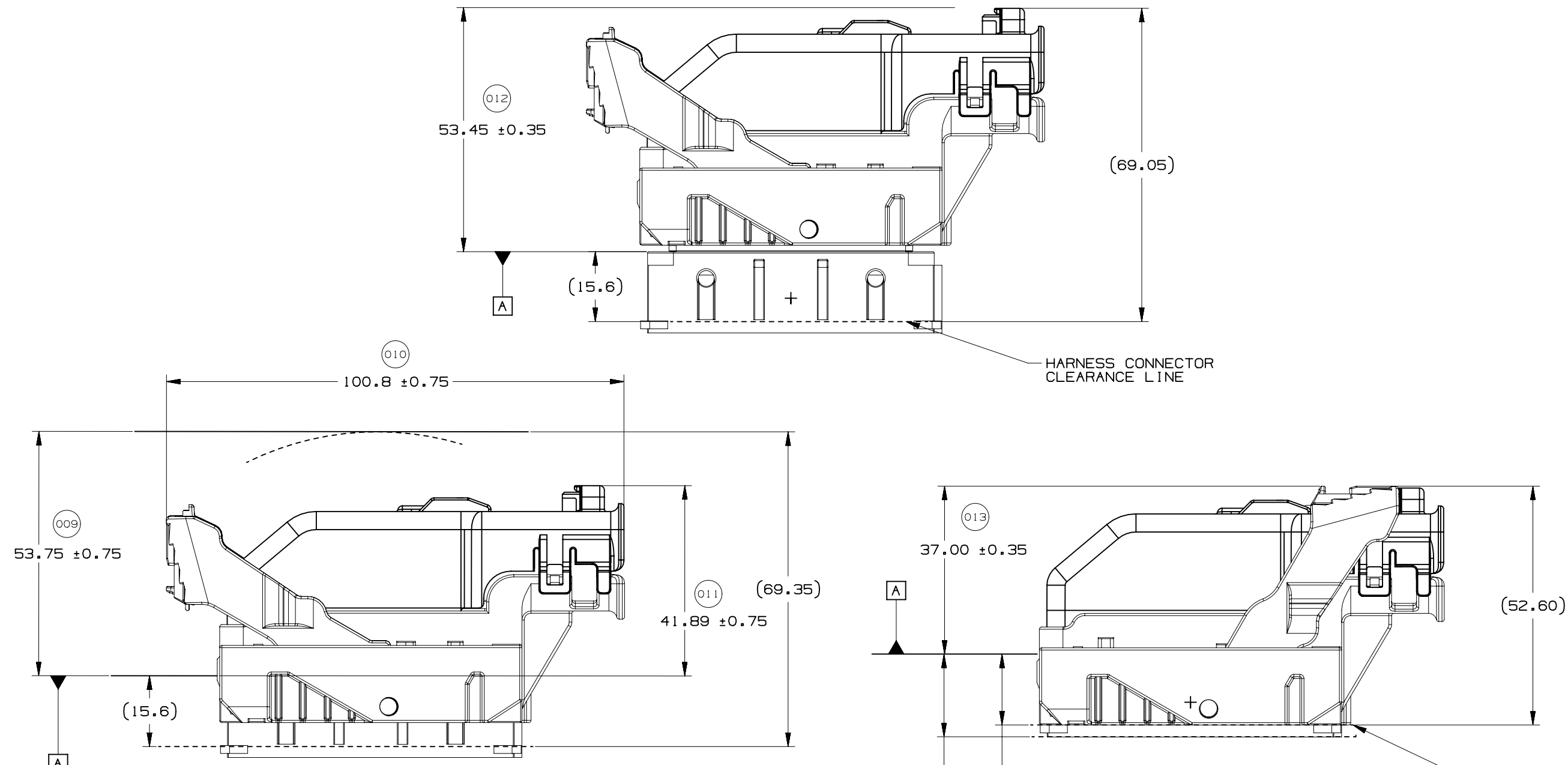


WIRE DRESS OPTION 0 SHOWN



WIRE DRESS OPTION 9 SHOWN





HARNESS CONNECTOR CLEARANCE LINE

HARNESS CONNECTOR ASSEMBLY IN FULLY-MATED POSITION

HARNESS CONNECTOR CLEARANCE LINE

15.6 MIN. ALL AROUND CLEARANCE REQUIRED FOR HARNESS CONNECTOR (014)

17.9 MIN. AT PAD LOCATION CLEARANCE REQUIRED FOR HARNESS CONNECTOR CONSTRUCTION BELOW THIS PLANE IS NOT CONTROLLED (015)

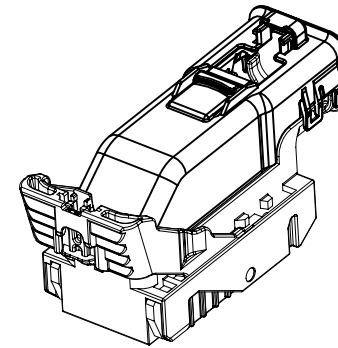
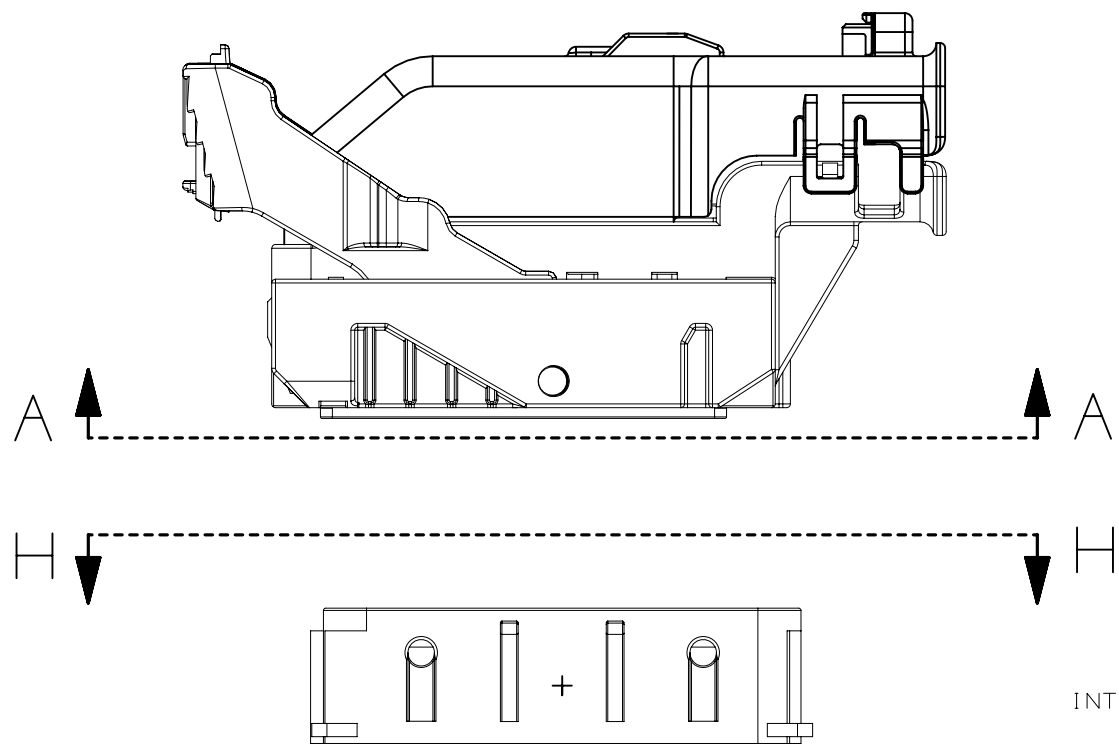


PAGE TITLE
LOCATION AND PACKAGING DIMENSIONS
REFERENCING INTERFACE DATUM A

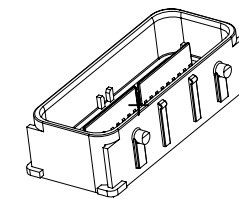
DRAWING NUMBER
12672833

| DWG STATUS | | |
|------------|-----|-----|
| ST | REV | PD1 |
| R | 001 | |

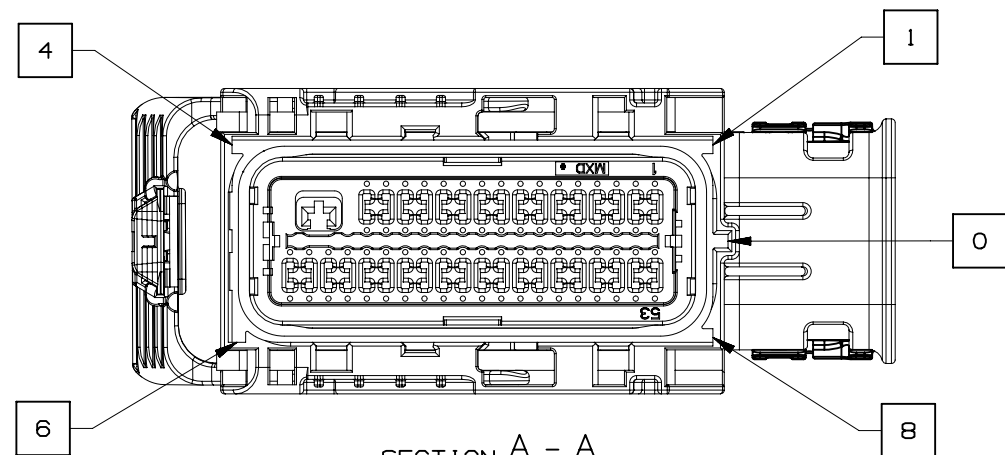
PAGE NUMBER
10 OF 22



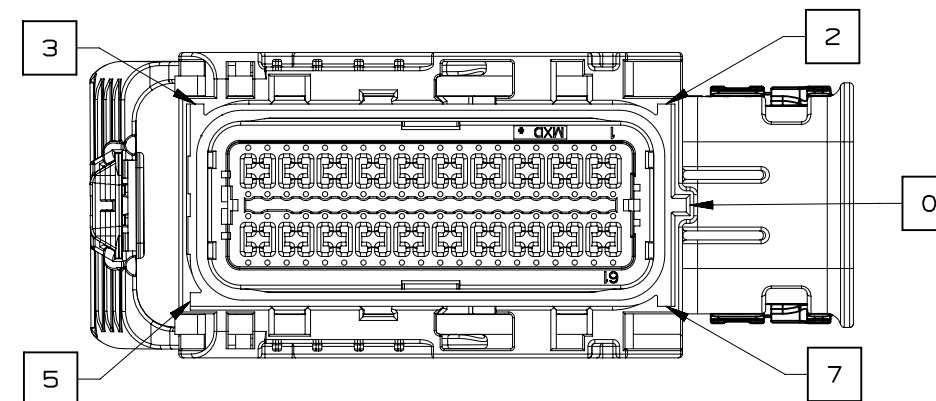
NOTE: REFERENCE THE COMPONENT TABLE FOR KEY OPTIONS AND CONFIGURATIONS



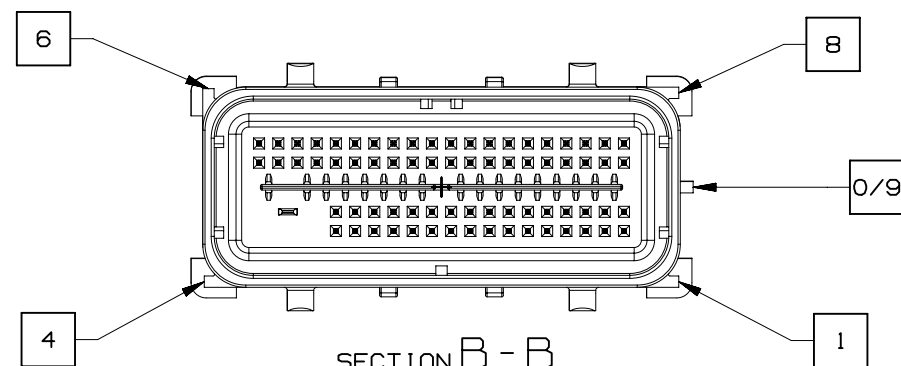
INTERFACE SIDE SHOWN ON ALL SECTION VIEWS



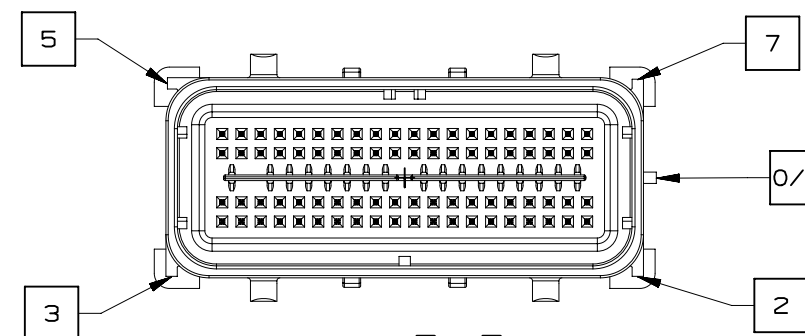
SECTION A - A
73 CKT HARNESS CONNECTOR ASSEMBLY
KEY OPTION B SHOWN



SECTION A - A
80 CKT HARNESS CONNECTOR ASSEMBLY
KEY OPTION K SHOWN



SECTION B - B
73 CKT HARNESS CONNECTOR ASSEMBLY
KEY OPTION B SHOWN



SECTION B - B
80 CKT HARNESS CONNECTOR ASSEMBLY
KEY OPTION K SHOWN

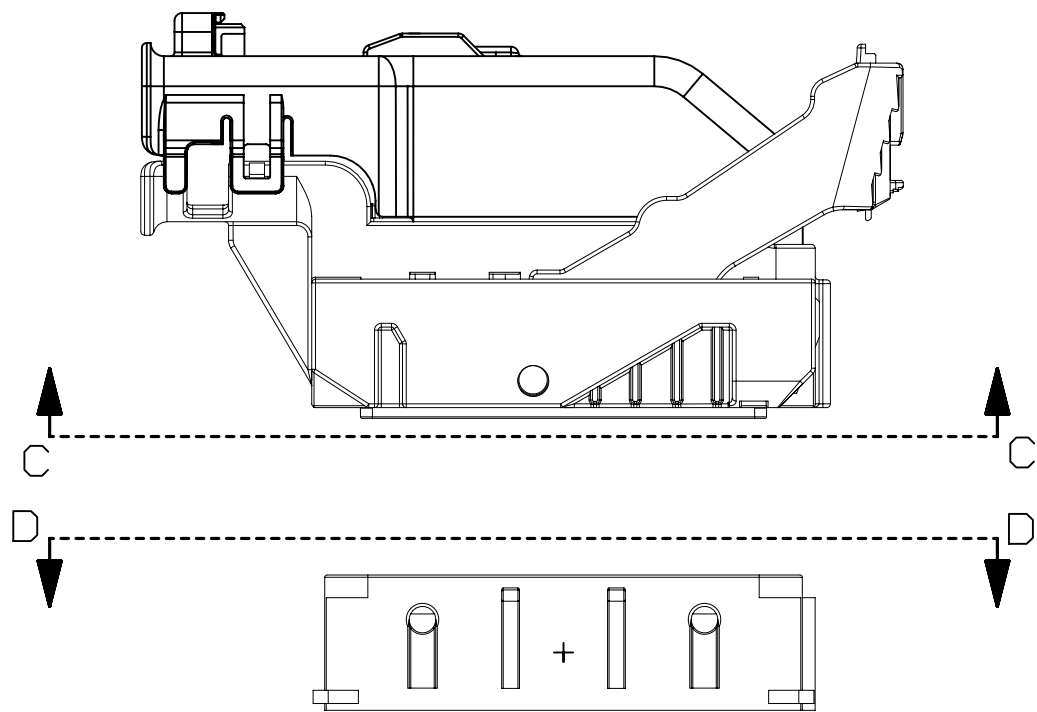


PAGE TITLE
KEY ID REF - WIRE DRESS OPTION 0

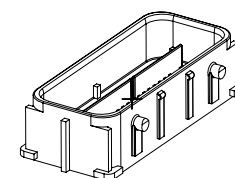
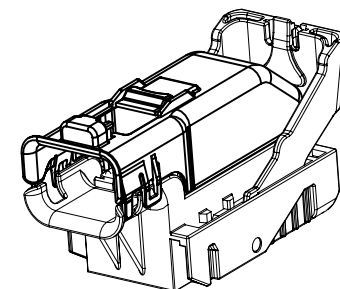
DRAWING NUMBER
12672833

| DWG STATUS | | |
|------------|-----|-----|
| ST | REV | PD1 |
| R | 001 | |

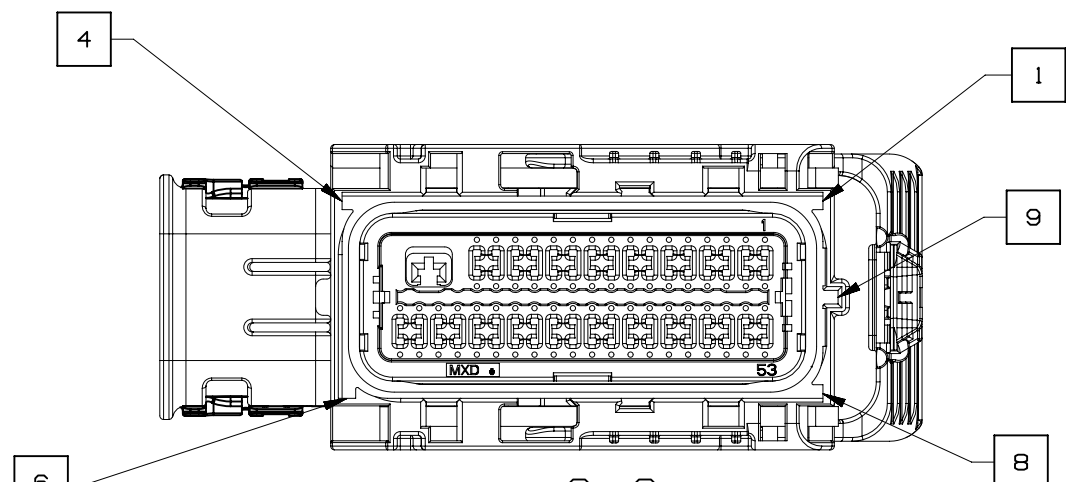
PAGE NUMBER
11 OF 22



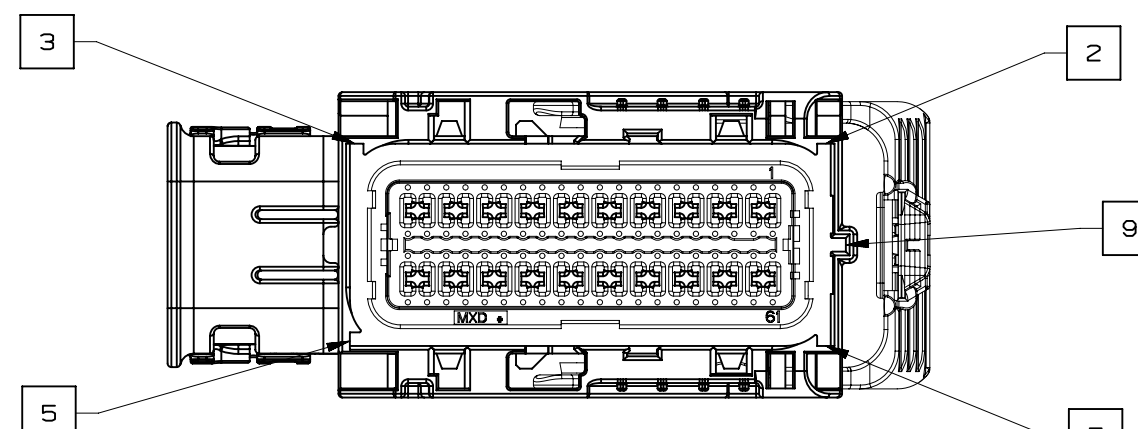
INTERFACE SIDE SHOWN ON ALL SECTION VIEWS



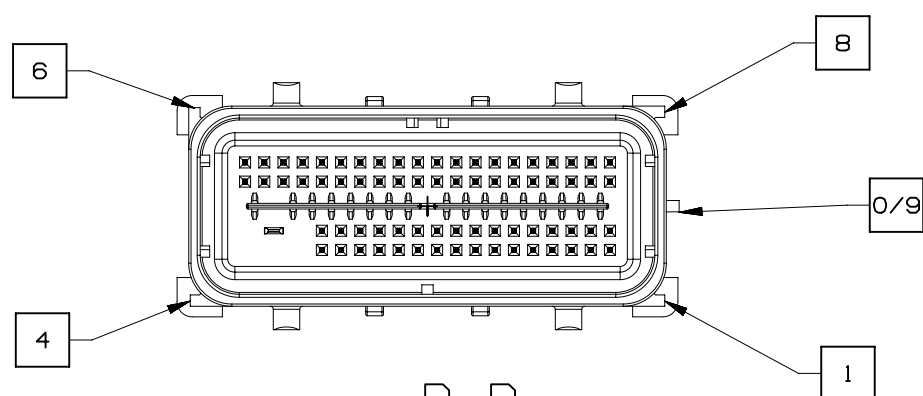
NOTE: REFERENCE THE COMPONENT TABLE FOR KEY OPTIONS AND CONFIGURATIONS



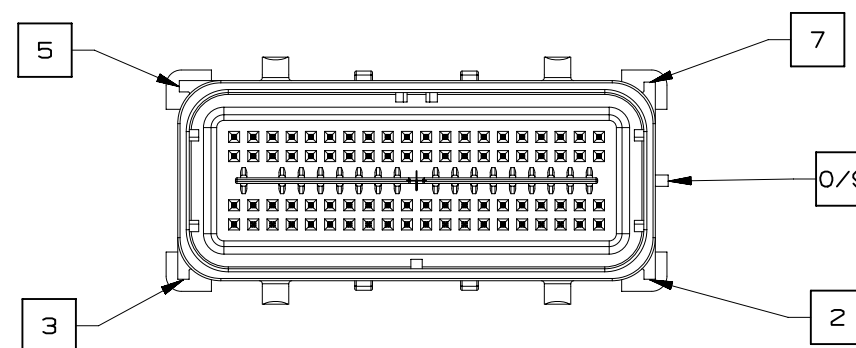
SECTION C - C
73 CKT HARNESS CONNECTOR ASSEMBLY
KEY OPTION B SHOWN



SECTION C - C
80 CKT HARNESS CONNECTOR ASSEMBLY
KEY OPTION K SHOWN



SECTION D - D
73 CKT HARNESS CONNECTOR ASSEMBLY
KEY OPTION B SHOWN



SECTION D - D
80 CKT HARNESS CONNECTOR ASSEMBLY
KEY OPTION K SHOWN

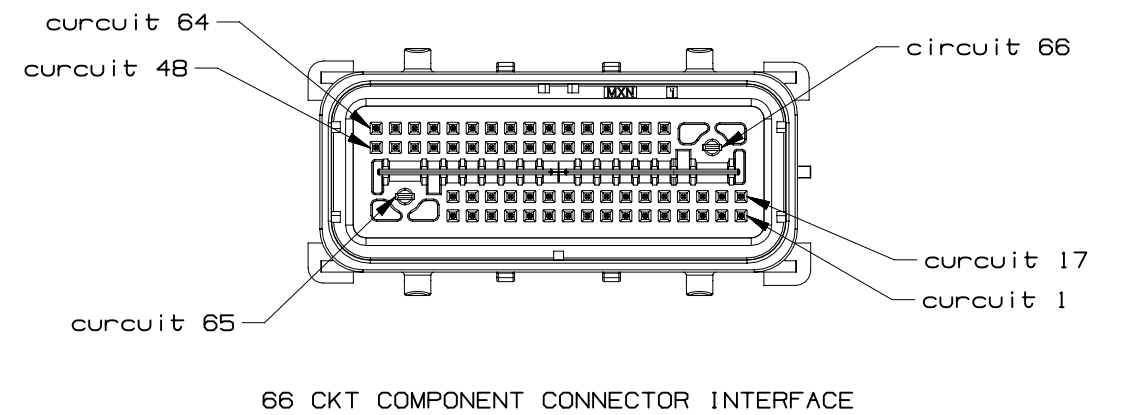
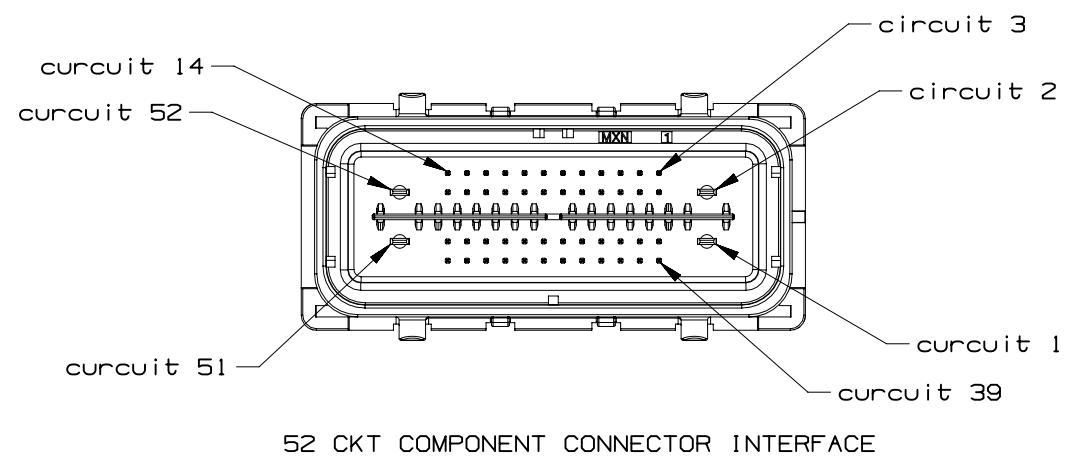
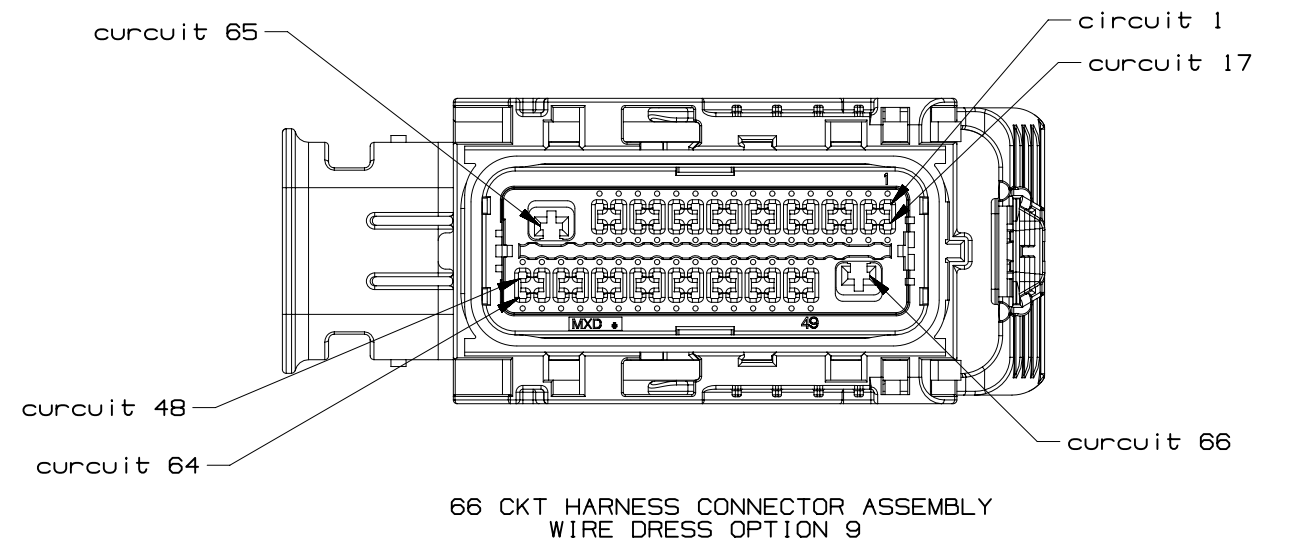
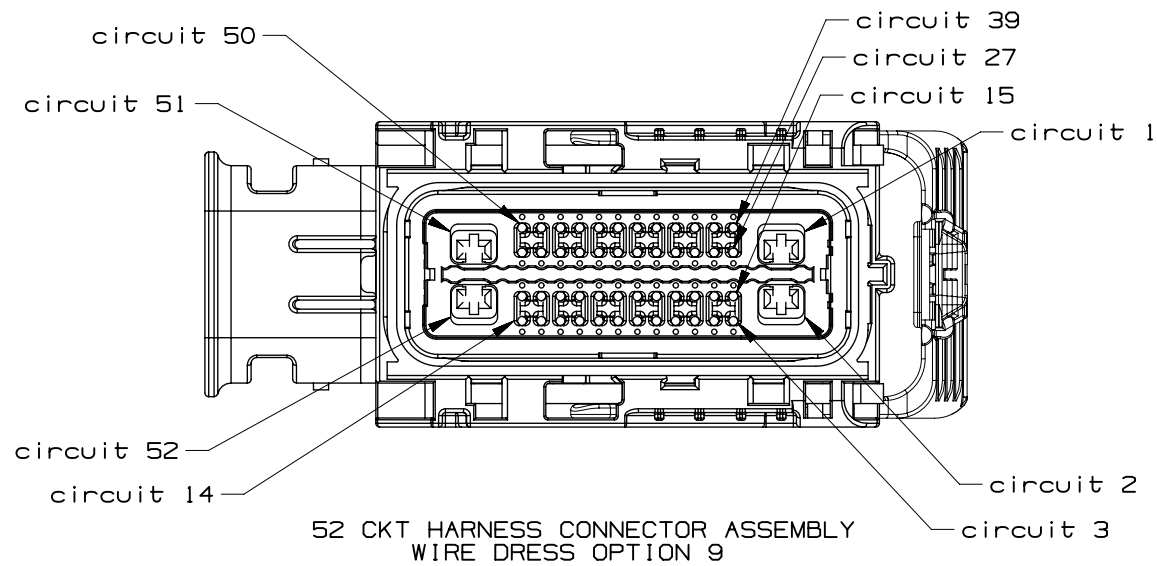
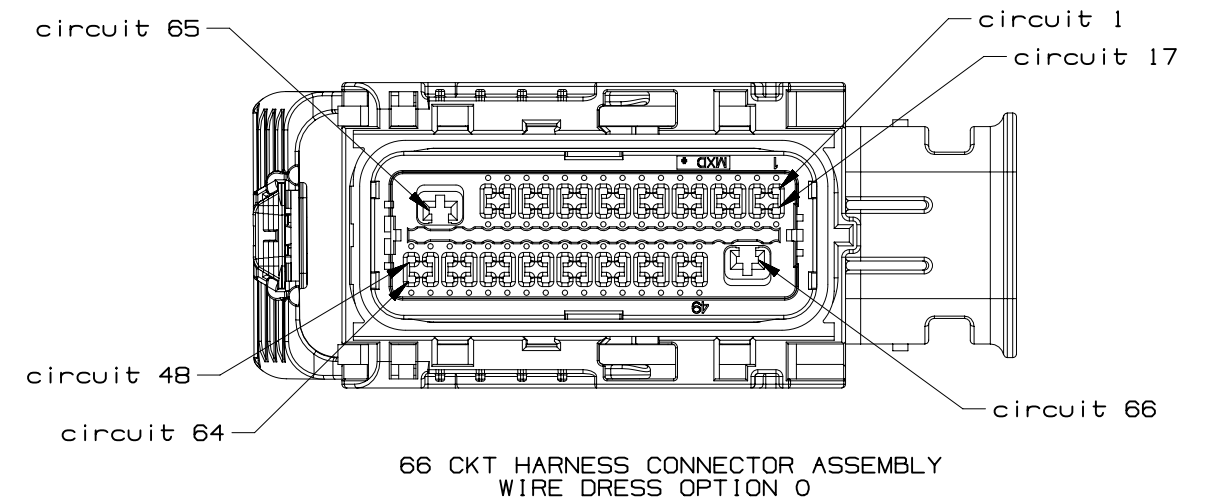
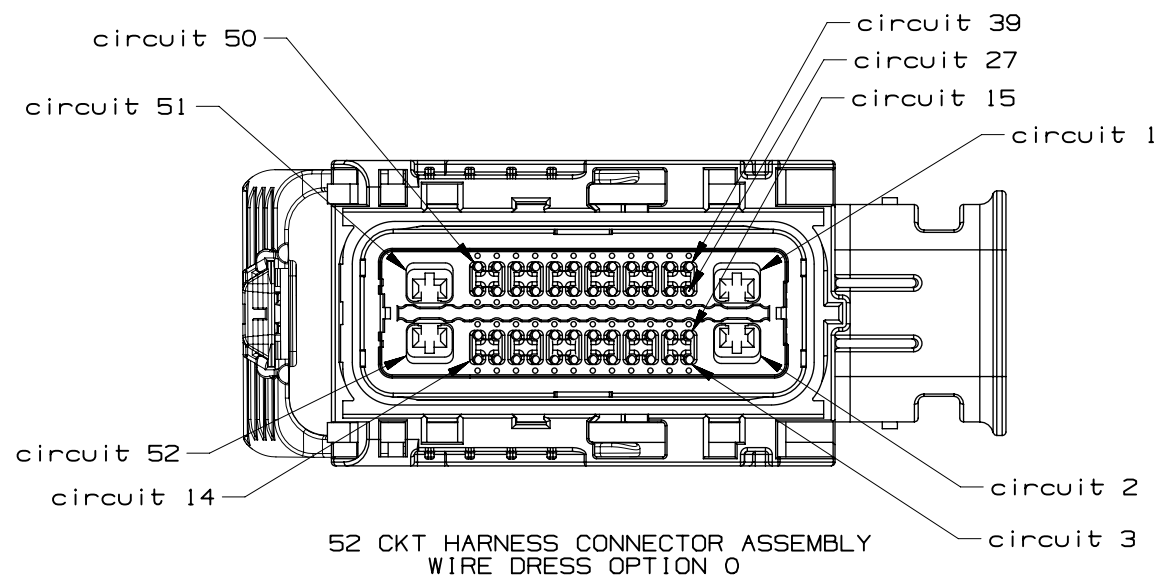


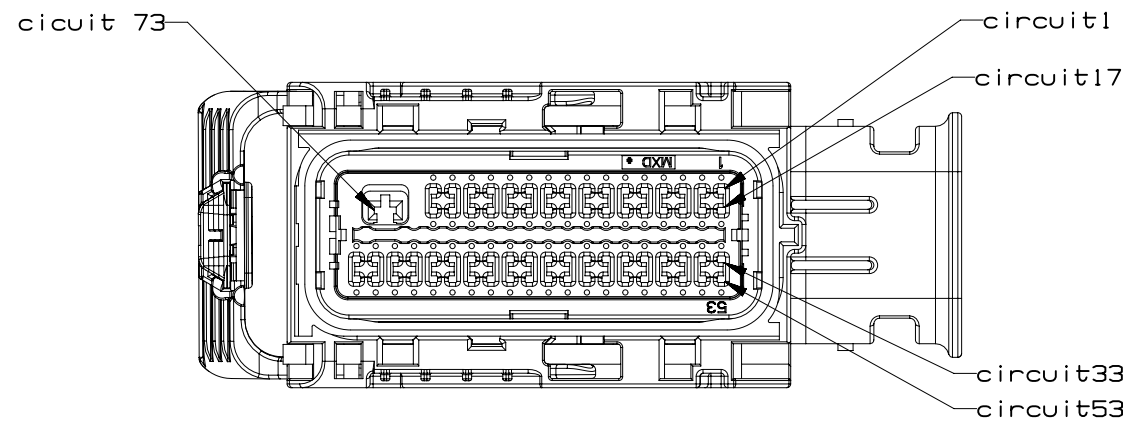
PAGE TITLE
KEY ID REF - WIRE DRESS OPTION 9

DRAWING NUMBER
12672833

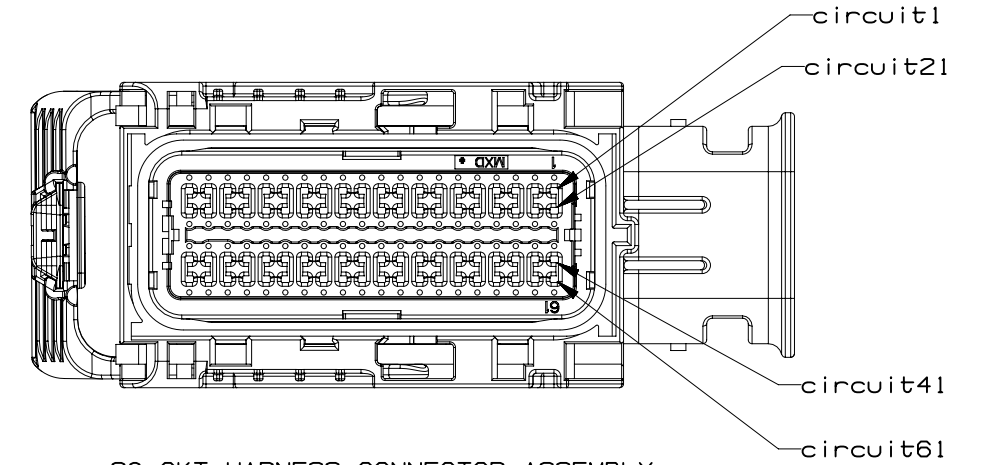
| DWG STATUS | | |
|------------|-----|-----|
| ST | REV | PD1 |
| R | 001 | |

PAGE NUMBER
12 OF 22



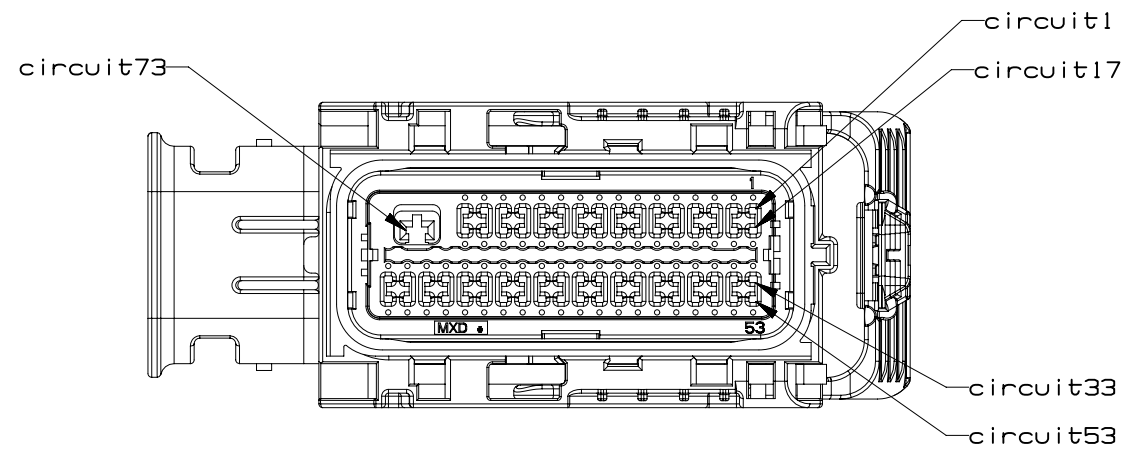


73 CKT HARNESS CONNECTOR ASSEMBLY
WIRE DRESS OPTION 0

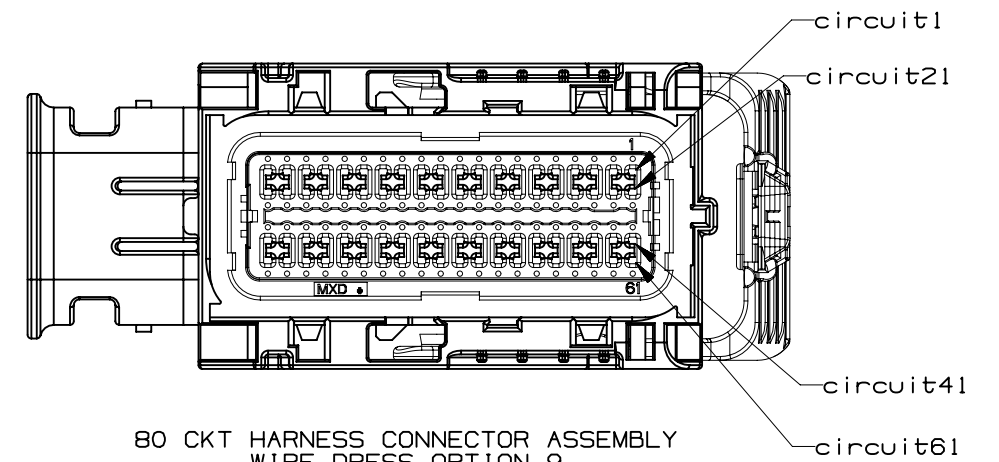


80 CKT HARNESS CONNECTOR ASSEMBLY
WIRE DRESS OPTION 0

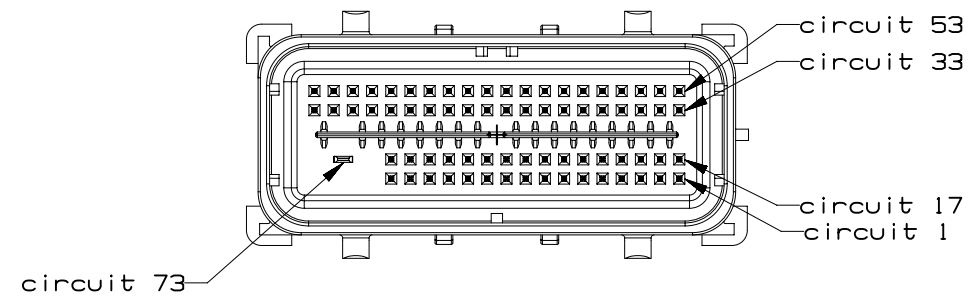
INTERFACE SIDE SHOWN ON ALL VIEWS



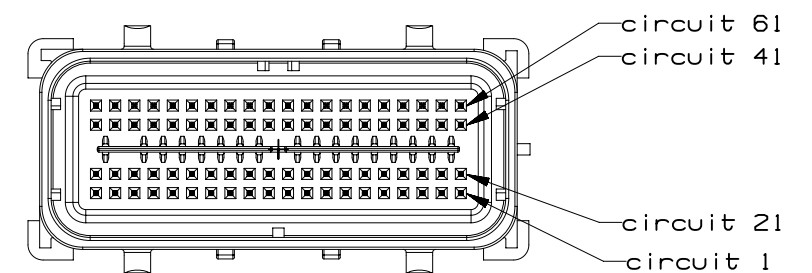
73 CKT HARNESS CONNECTOR ASSEMBLY
WIRE DRESS OPTION 9



80 CKT HARNESS CONNECTOR ASSEMBLY
WIRE DRESS OPTION 9

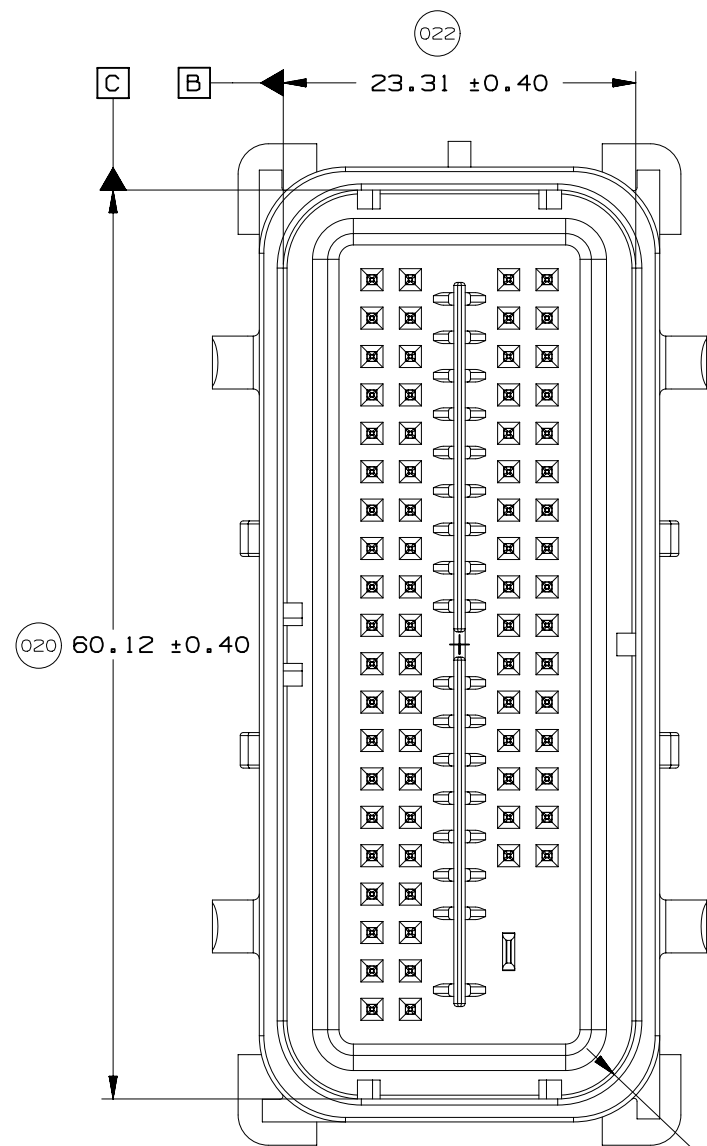
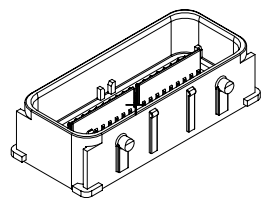


73 CKT COMPONENT CONNECTOR INTERFACE

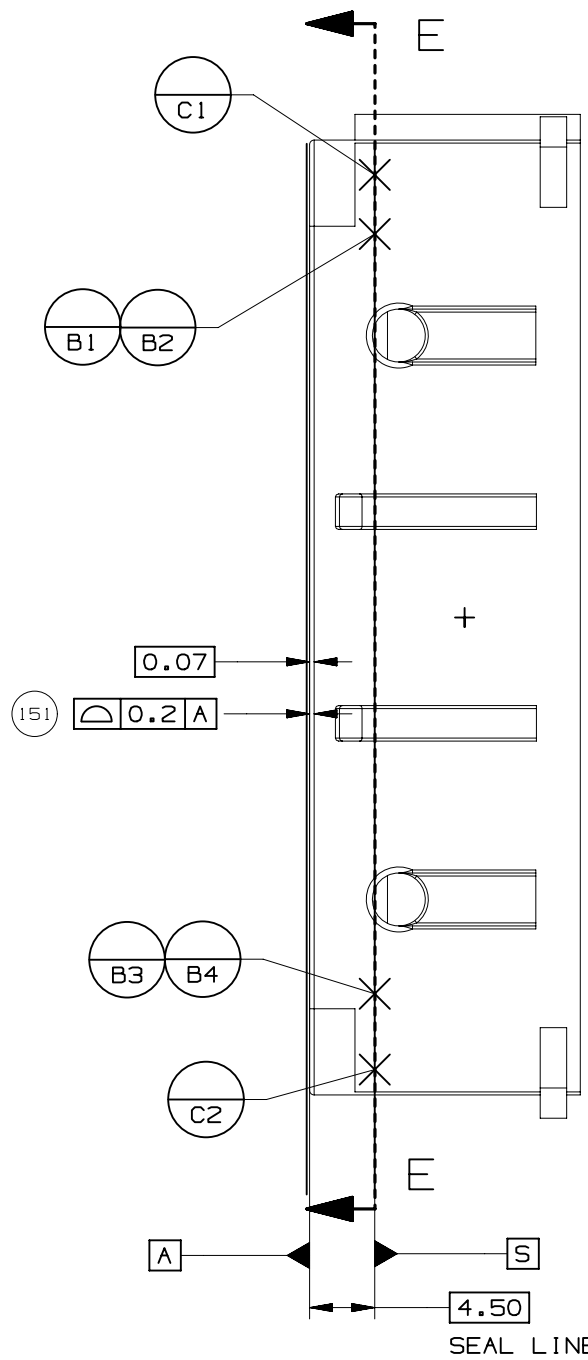


80 CKT COMPONENT CONNECTOR INTERFACE

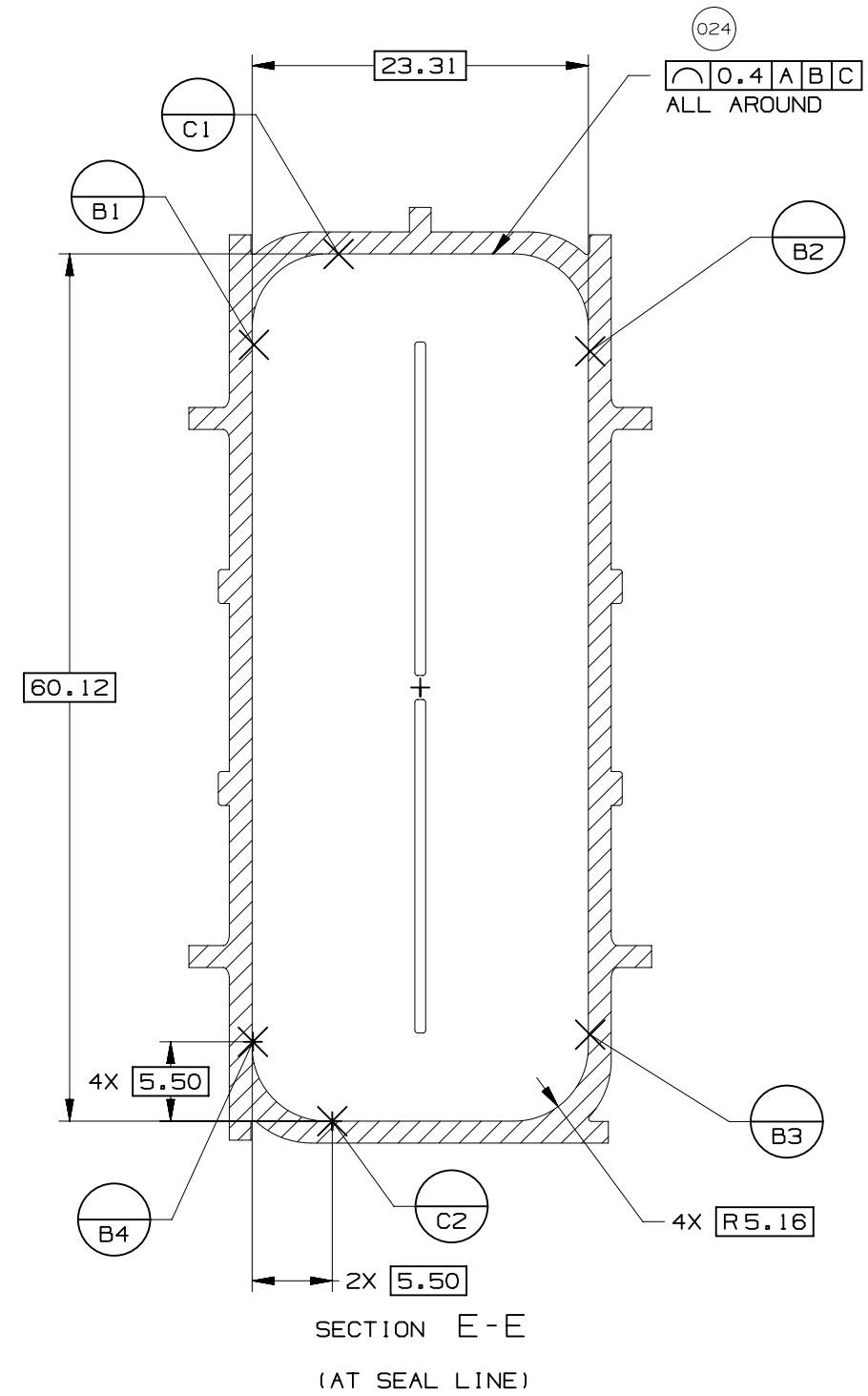




4X R5.16 ± 0.30



SEAL LINE



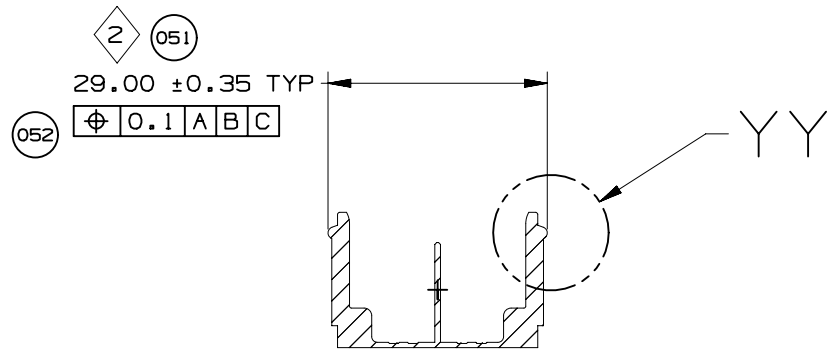
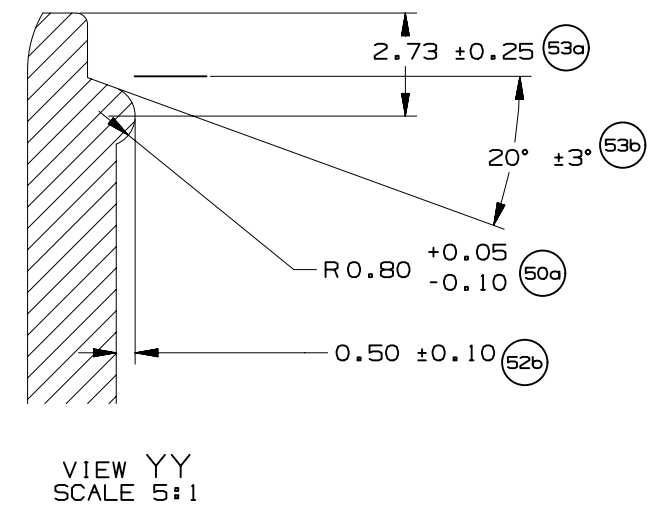
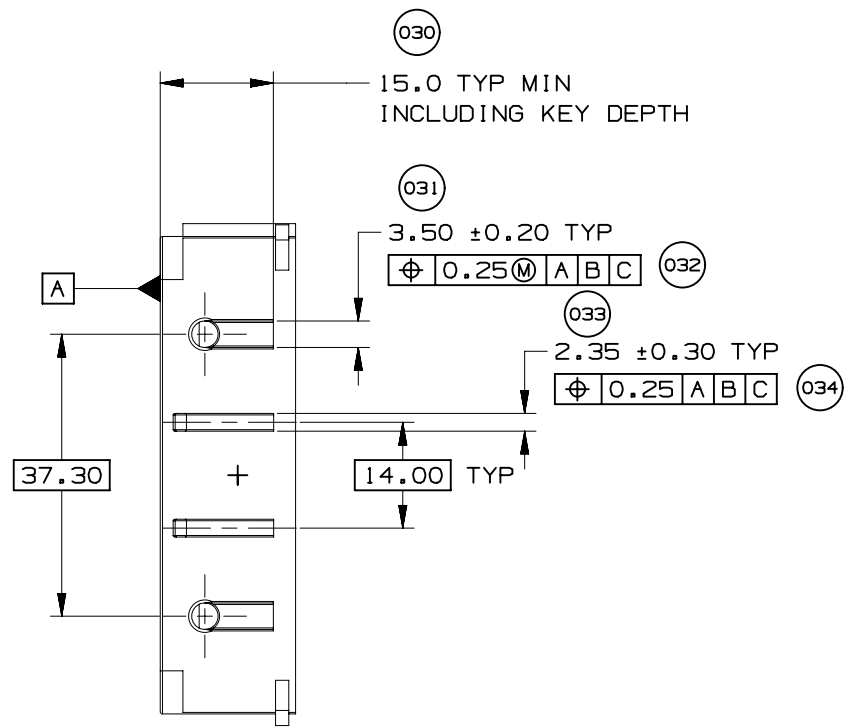
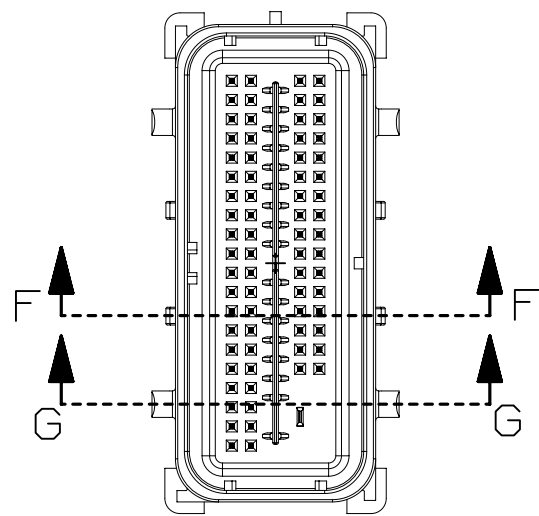
UNLESS SPECIFIED, TOLERANCE OF THE COMPONENT CONNECTOR INTERFACE TO BE $\sqrt[0.13]{A B C}$



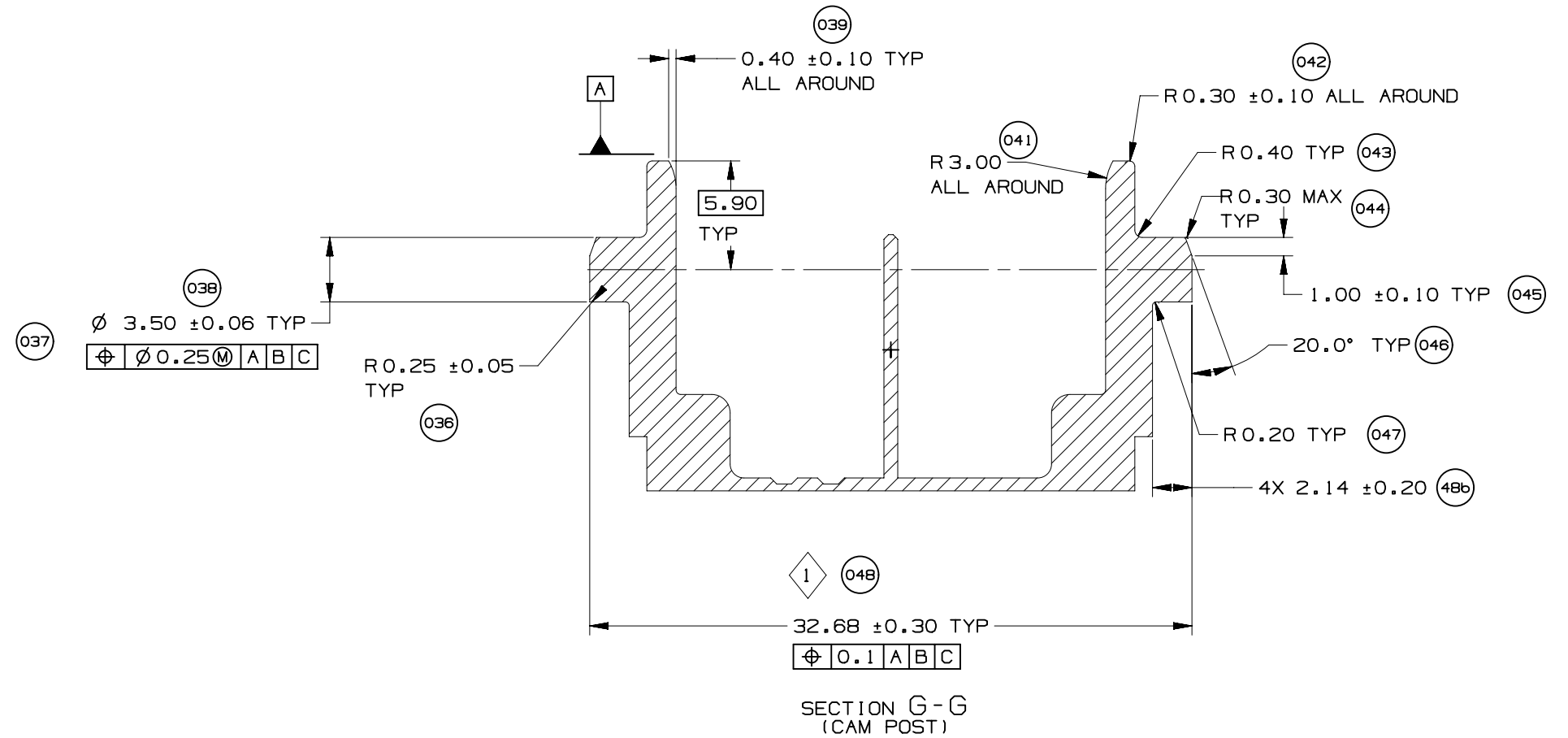
PAGE TITLE
COMPONENT CONNECTOR INTERFACE

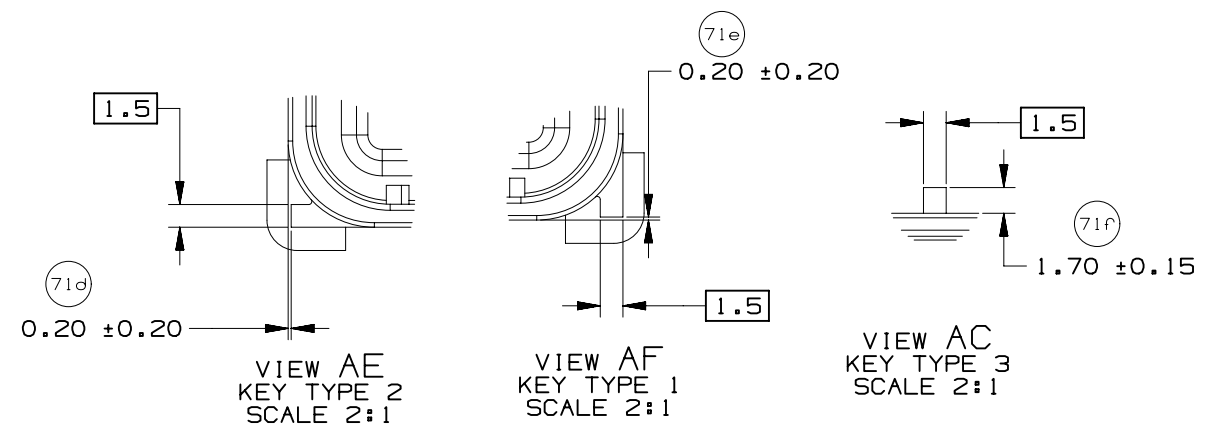
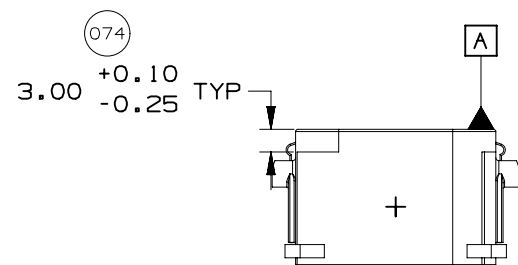
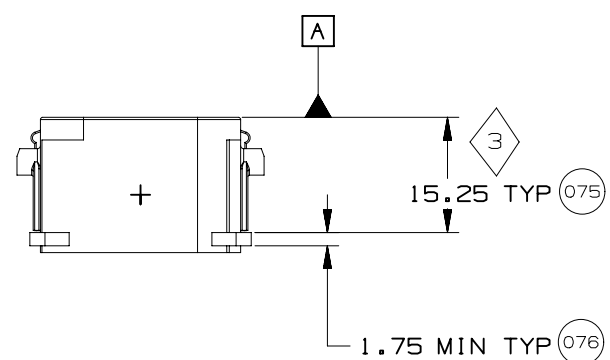
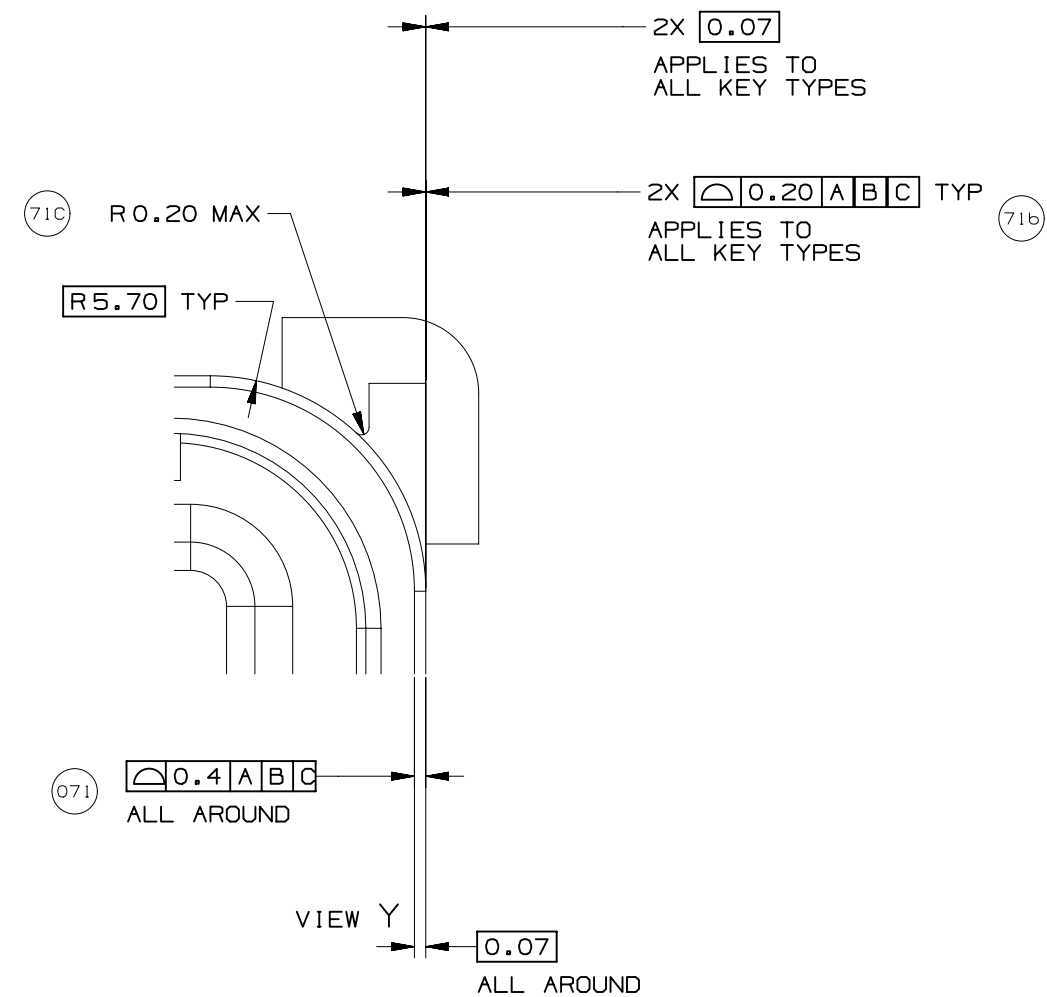
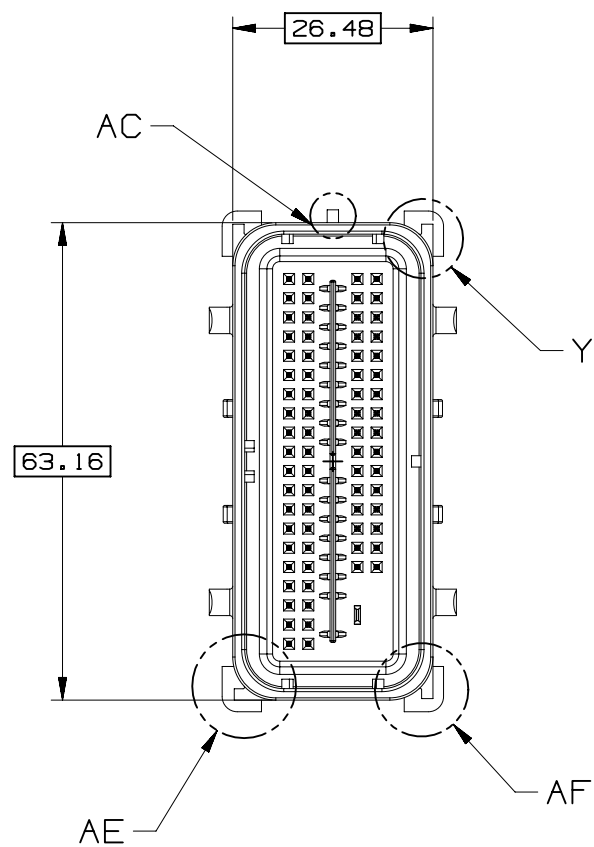
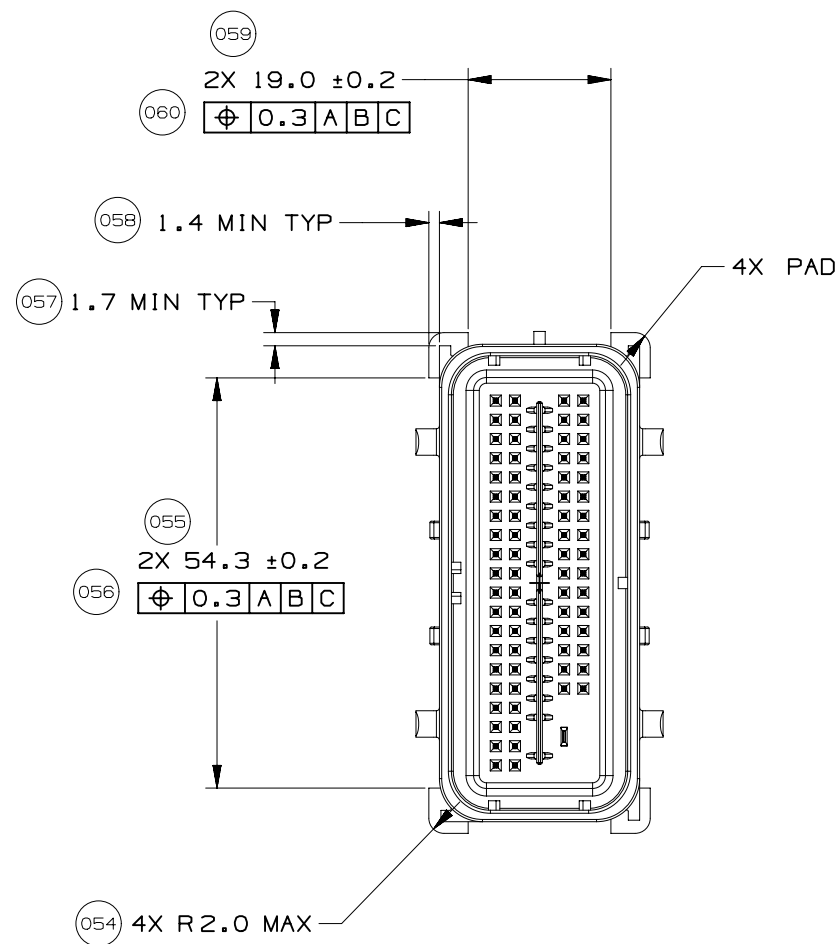
DRAWING NUMBER
12672833

| DWG STATUS | | | PAGE NUMBER |
|------------|-----|-----|-------------|
| ST | REV | PD1 | |
| R | 001 | | 15 OF 22 |



SECTION F-F
(RELEASE FEATURE)

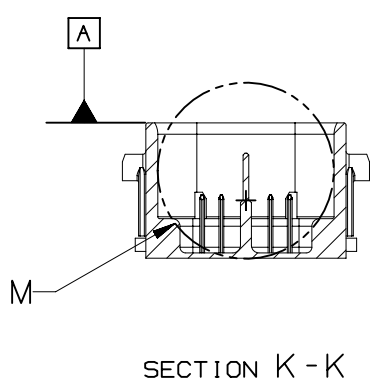
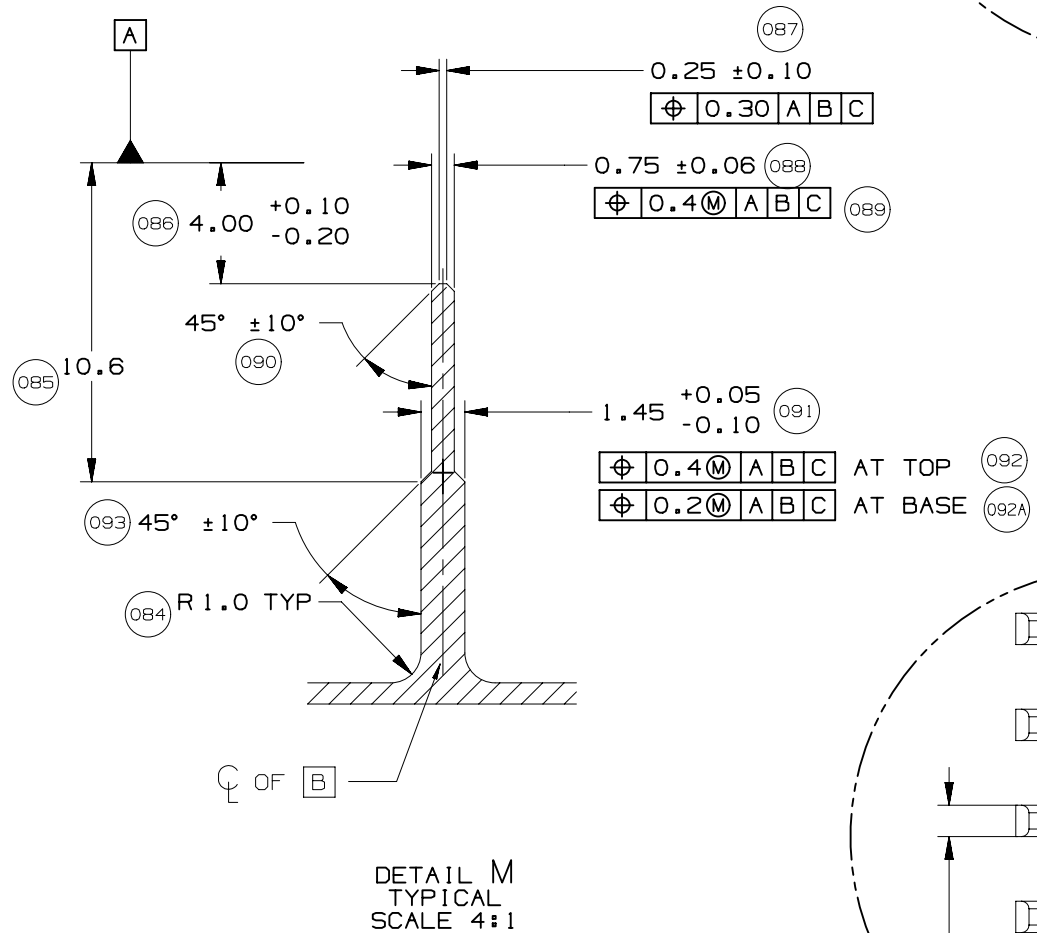
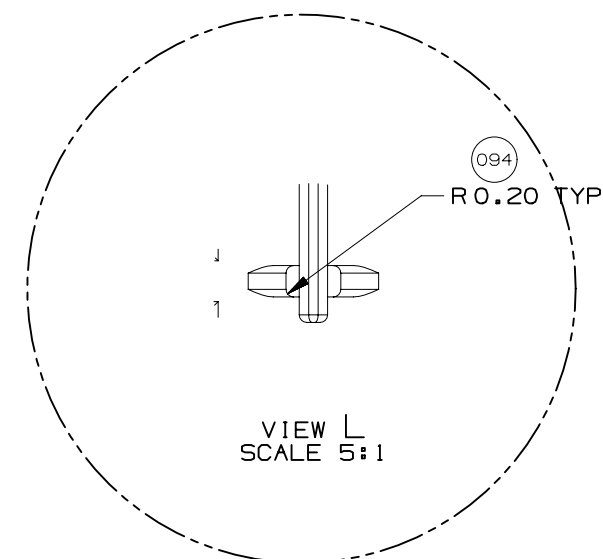
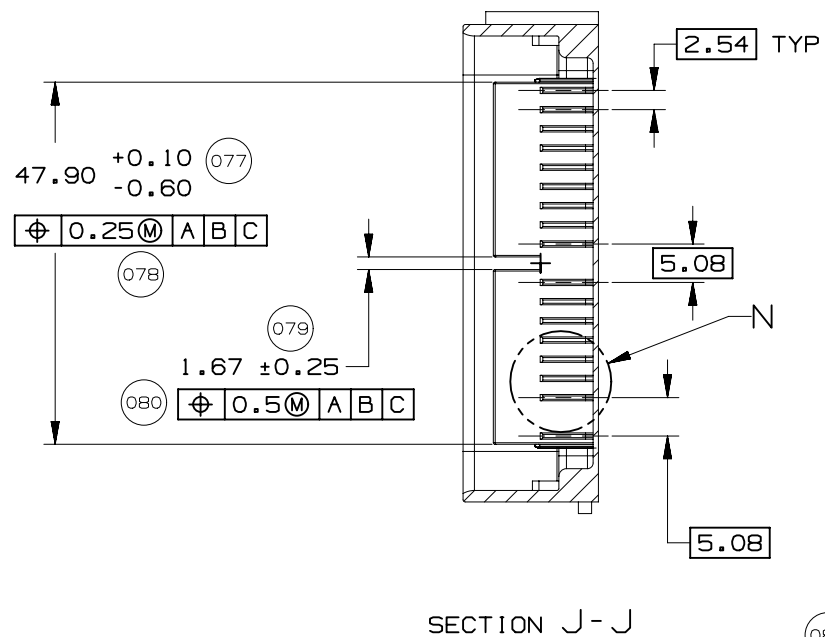
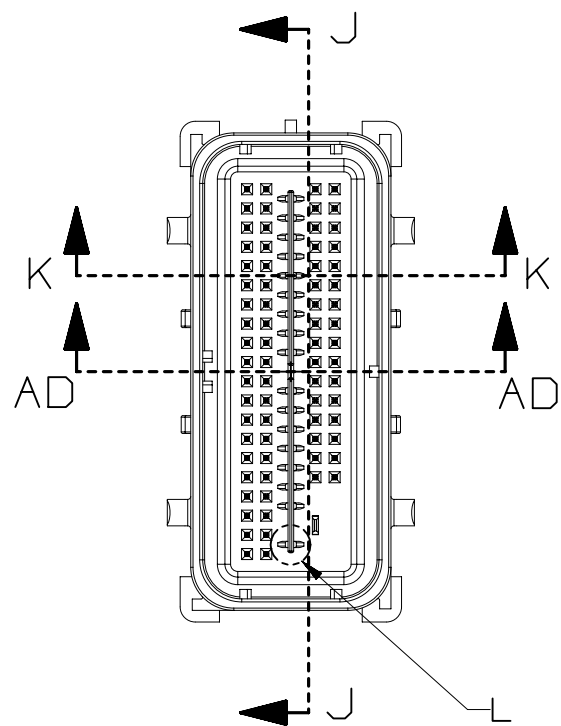




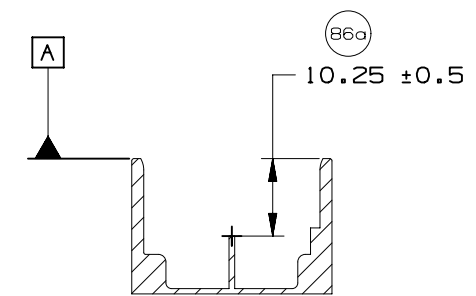
PAGE TITLE
 COMPONENT CONNECTOR INTERFACE

DRAWING NUMBER
 12672833

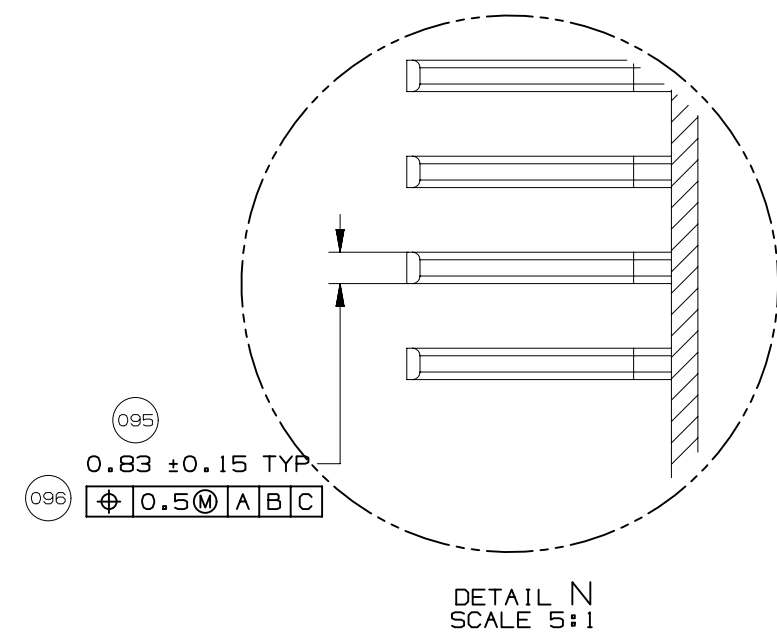
| DWG STATUS | | | PAGE NUMBER | |
|------------|-----|-----|-------------|-------|
| ST | REV | PD1 | | |
| R | 001 | | 17 | OF 22 |



SECTION K-K



SECTION AD-AD



DETAIL N
SCALE 5:1

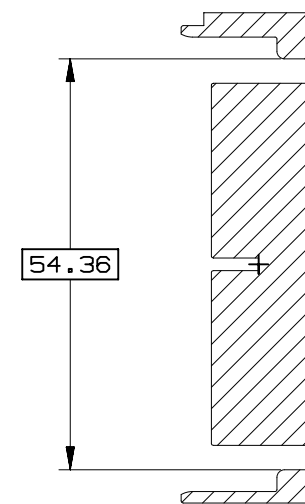
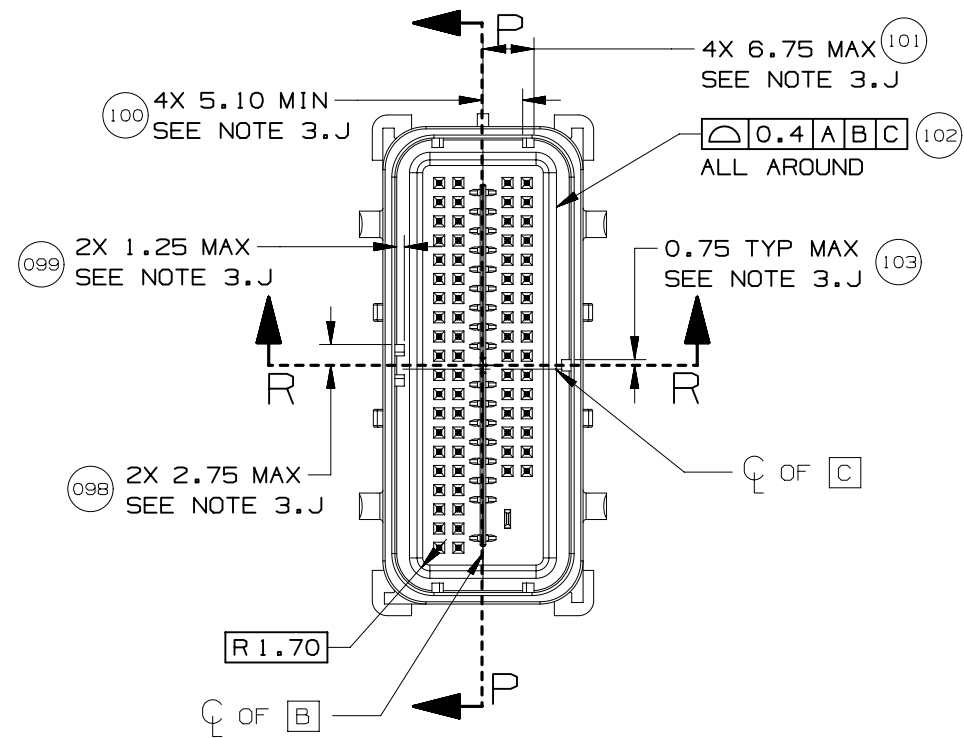


PAGE TITLE
COMPONENT CONNECTOR INTERFACE

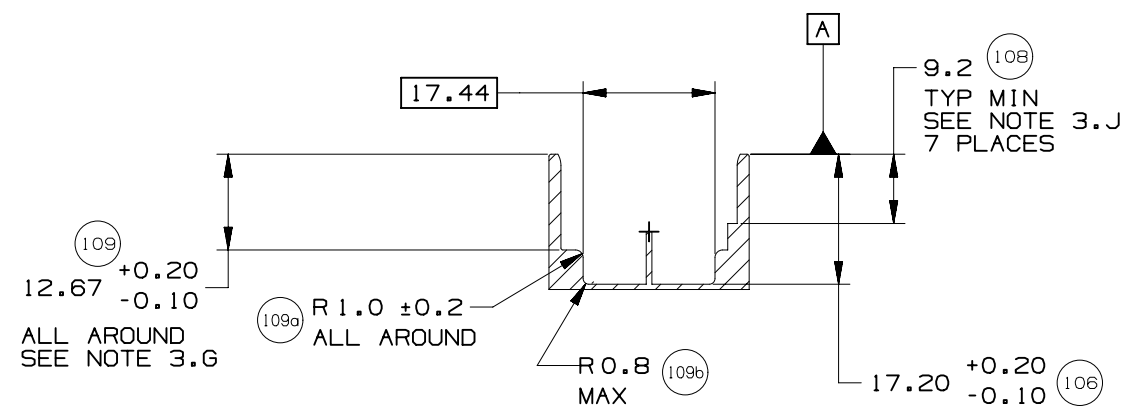
DRAWING NUMBER
12672833

| DWG STATUS | | |
|------------|-----|-----|
| ST | REV | PD1 |
| R | 001 | |

PAGE NUMBER
18 OF 22



SECTION P-P



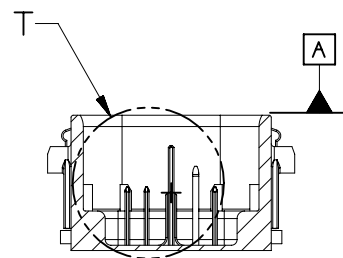
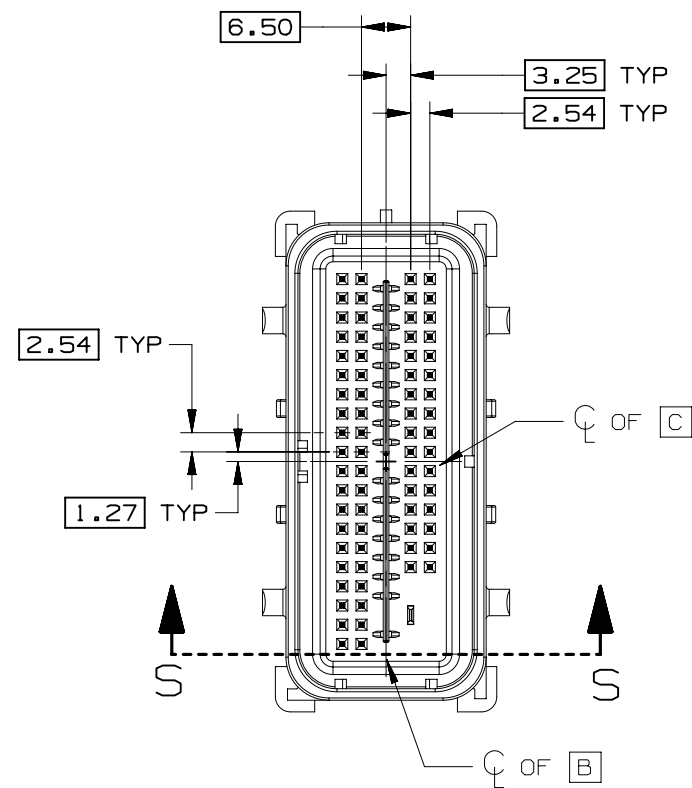
SECTION R-R



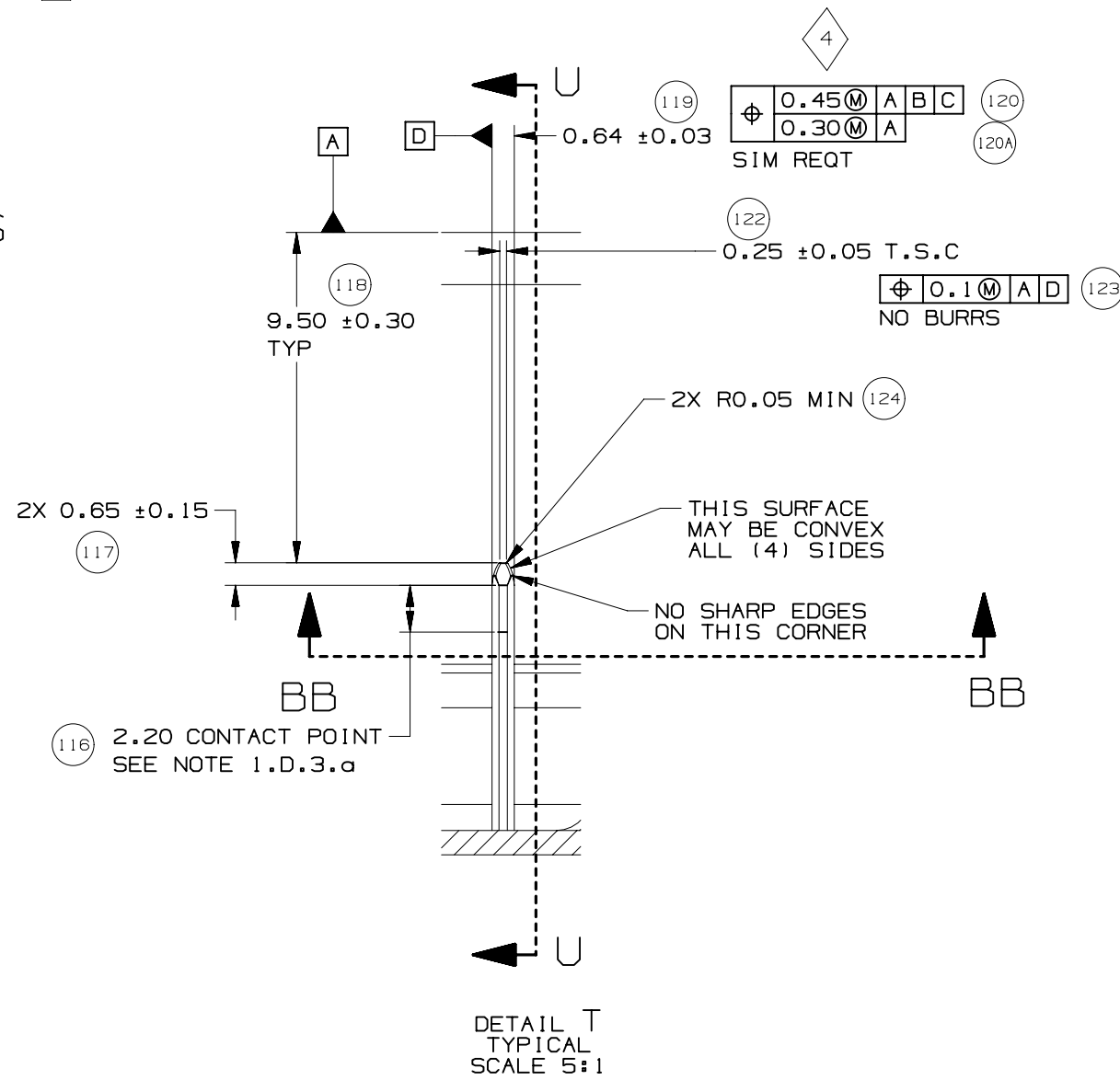
PAGE TITLE
COMPONENT CONNECTOR INTERFACE

DRAWING NUMBER
12672833

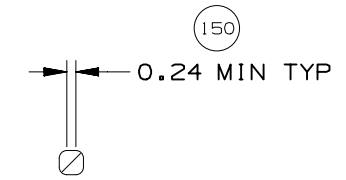
| DWG STATUS | | | PAGE NUMBER | |
|------------|-----|-----|-------------|-------|
| ST | REV | PD1 | 19 | OF 22 |
| R | 001 | | | |



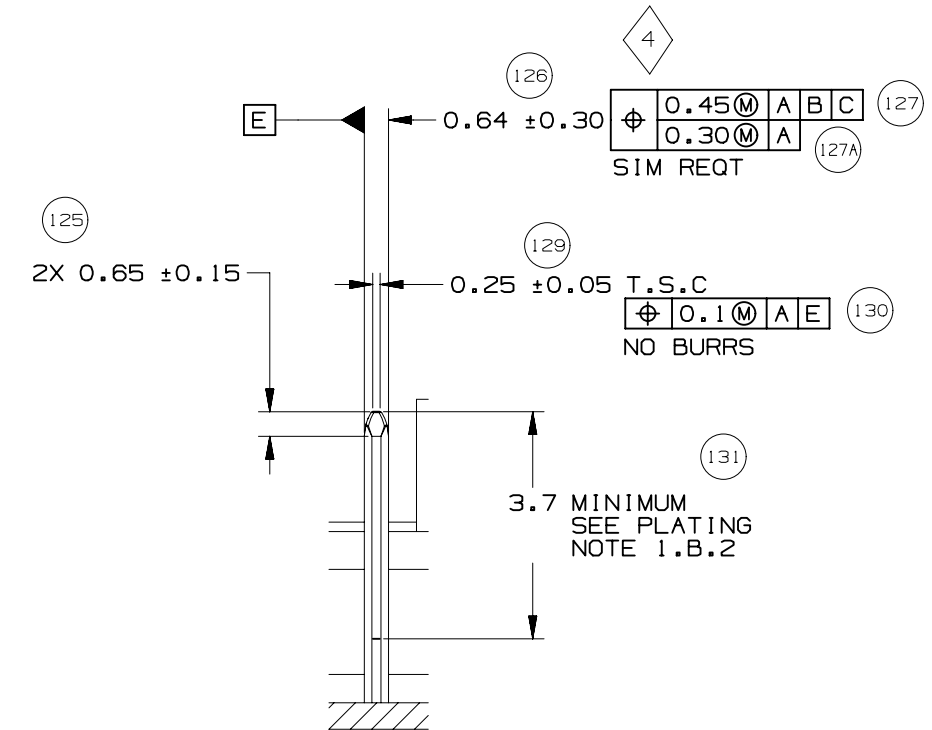
SECTION S-S



DETAIL T
TYPICAL
SCALE 5:1

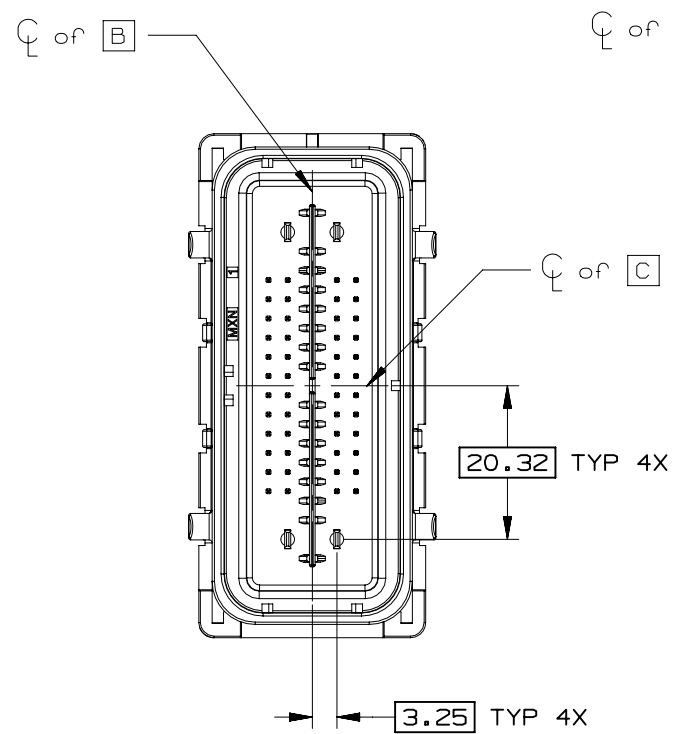


SECTION BB-BB

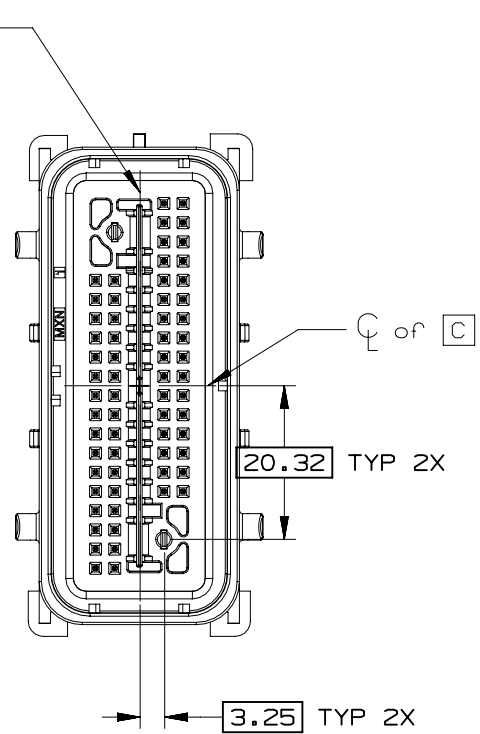


SECTION U-U
TYPICAL

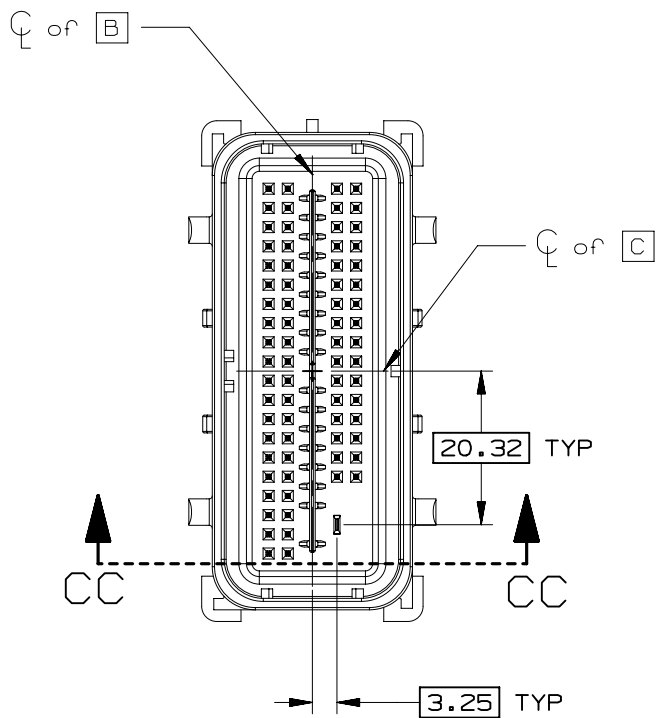




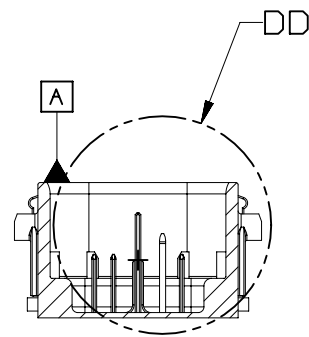
52 CKT COMPONENT
CONNECTOR INTERFACE



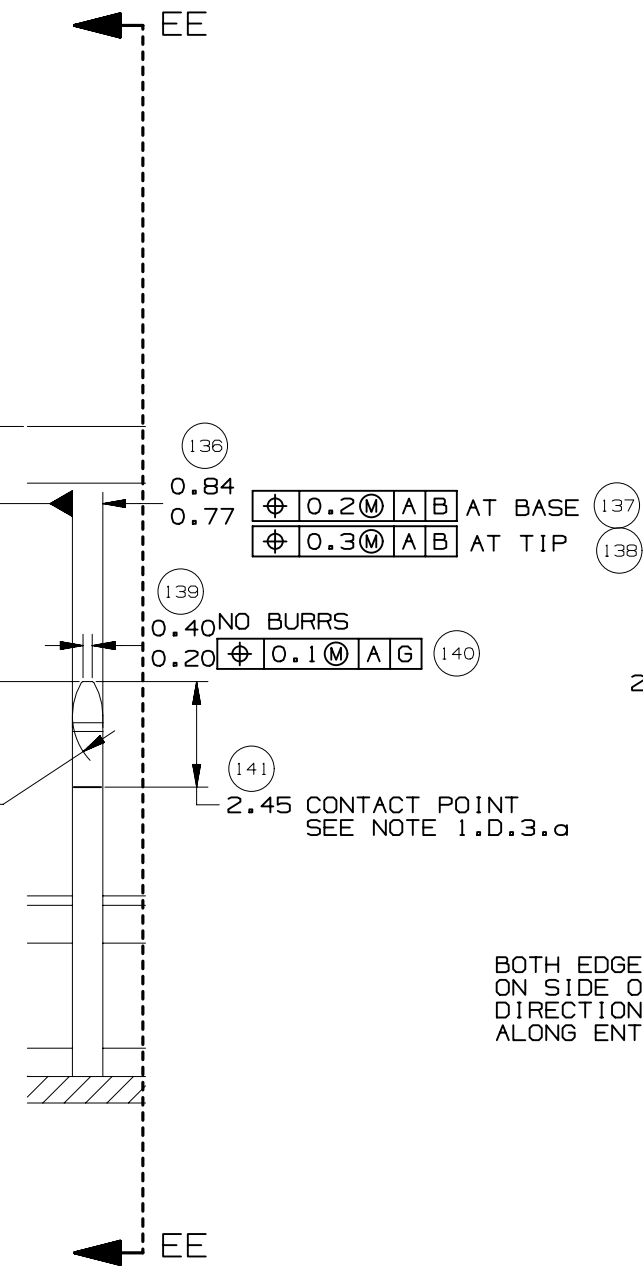
66 CKT COMPONENT
CONNECTOR INTERFACE



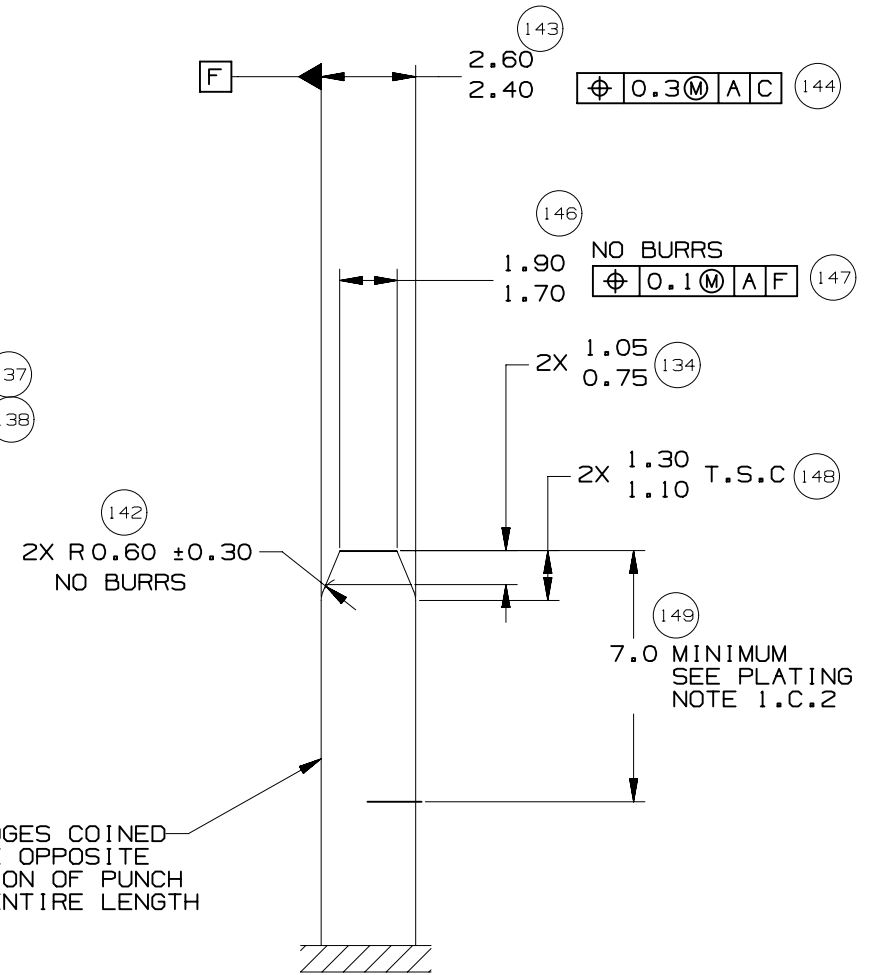
73 CKT COMPONENT
CONNECTOR INTERFACE



SECTION CC-CC



DETAIL DD
TYPICAL
SCALE 5:1



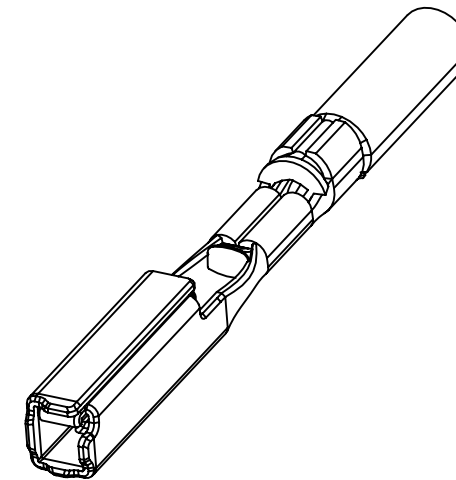
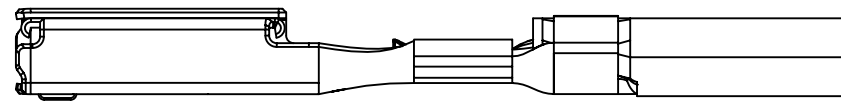
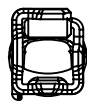
SECTION EE-EE
TYPICAL

BOTH EDGES COINED
ON SIDE OPPOSITE
DIRECTION OF PUNCH
ALONG ENTIRE LENGTH



MOLEX MX64 RECEPTACLE TERMINAL INFORMATION

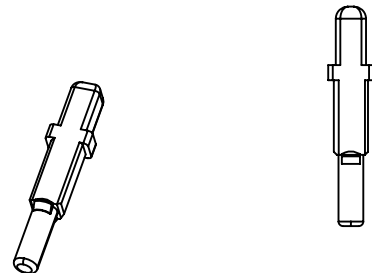
| ITEM | MOLEX P/N | GM P/N | WIRE SIZE MM2 | TYPE | PLATING | REEL WIND DIRECTION | COMMENTS |
|------|------------|----------|------------------|------|---------|------------------------|----------|
| 1 | 34736-0025 | | 0.35 | ISO | SILVER | LEFT | |
| 2 | 34736-0026 | 12672850 | 0.35 | ISO | SILVER | RIGHT | |
| 3 | 34736-0027 | | 0.5 / 0.75 | ISO | SILVER | LEFT | |
| 4 | 34736-0028 | 12672851 | 0.5 / 0.75 | ISO | SILVER | RIGHT | |



CAVITY PLUGS

| ITEM | MFG | MFG P/N | GM P/N RD | SIZE | COLOR | MFG DRAWING | PROD SPEC | APP SPEC | COMMENTS |
|------|--------|--------------|--------------|------|---------|--------------|----------------|--------------|----------|
| 1 | MOLEX | 34586-0001 | 12674820 | 0.64 | NATURAL | SD-34586-001 | PS-34566-0000 | AS-34566-001 | |
| 2 | YAZAKI | 7158-3114-90 | 12674821 | 2.8 | BLUE | 7158-3114-90 | YPES-11-04-062 | YPES-15-299 | |

ITEM 1



ITEM 2



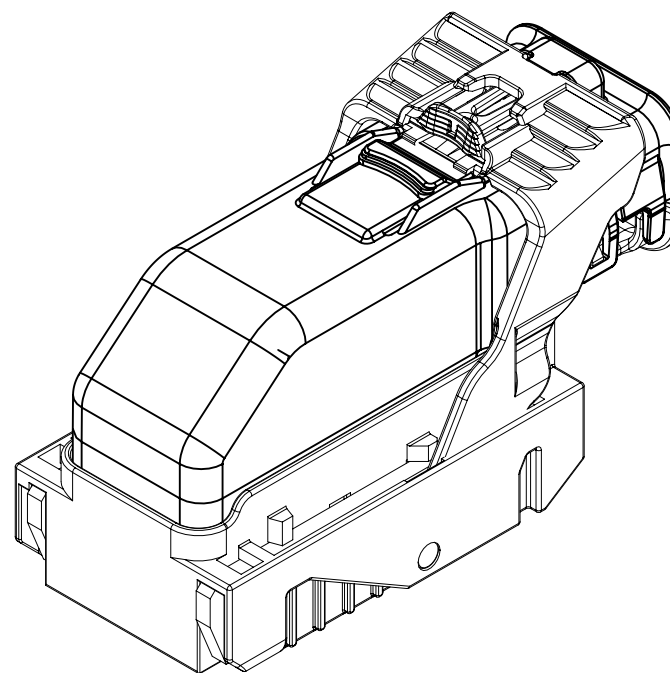
PAGE TITLE
ADDITIONAL COMPONENTS REQUIRED

DRAWING NUMBER
12672833


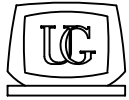
| DWG STATUS | | |
|------------|-----|-----|
| ST | REV | PD1 |
| R | 001 | |

PAGE NUMBER
22 OF 22

| INDEX | |
|---|------|
| PAGE TITLE | PAGE |
| TITLE BLOCK | 1 |
| REVISION BLOCK | 2 |
| PART BLOCK | 3 |
| KPC BLOCK | 4 |
| COMPONENT TABLE | 5 |
| NOTES | 6 |
| NOTES | 7 |
| WIRE DRESS PACKAGING DIMENSIONS | 8 |
| LOCATION AND PACKAGING DIMENSIONS REFERENCING INTERFACE DATUMS B & C | 9 |
| LOCATION AND PACKAGING DIMENSIONS REFERENCING INTERFACE DATUM A | 10 |
| KEY ID REF - WIRE DRESS OPTION 0 | 11 |
| KEY ID REF - WIRE DRESS OPTION 9 | 12 |
| CIRCUIT CONFIGURATIONS | 13 |
| CIRCUIT CONFIGURATIONS | 14 |
| COMPONENT CONNECTOR INTERFACE | 15 |
| COMPONENT CONNECTOR INTERFACE | 16 |
| COMPONENT CONNECTOR INTERFACE | 17 |
| COMPONENT CONNECTOR INTERFACE | 18 |
| COMPONENT CONNECTOR INTERFACE | 19 |
| COMPONENT CONNECTOR INTERFACE | 20 |
| COMPONENT CONNECTOR INTERFACE | 21 |
| ADDITIONAL COMPONENTS REQUIRED | 22 |




ISO VIEW

| | | | | |
|---|---|---|--|-------------|
|  | <p>UNLESS OTHERWISE SPECIFIED: THIS DOCUMENT IS IN ACCORDANCE WITH ASME Y14.5M-1994 AS AMMENDED BY THE GM GLOBAL DIMENSIONING AND TOLERANCING ADDENDUM-1997. ALL GEOMETRIC TOLERANCES AND RELATED DATUMS APPLY RFS. RULE #1 (PERFECT FORM AT MMC) DOES NOT APPLY WHEN A RELATIONSHIP BETWEEN FEATURES IS ESTABLISHED BY ORIENTATION OR LOCATION TOLERANCES. SEPARATE POSITION CALLOUTS MAY BE GAGED SEPARATELY REGARDLESS OF DATUM REFERENCES.</p> | | | DATE |
| |  CHANGE RESTRICTED NO MANUAL CHANGES | REFERENCE 12H (MOLEX AUTOMOTIVE) | DRAFTER APVD1 APVD2 APVD3 APVD4 APVD5 | 05JN15 |
| DO NOT SCALE | | DRAWING NAME | | |
| METRIC DIMENSIONS SHOWN IN MILLIMETERS UNLESS OTHERWISE SPECIFIED | | HARNESS CONN ASM-SEALED 52/66/73/80 CKTS, MX123 | | |
| DRAWING NUMBER | | DWG STATUS | | PAGE NUMBER |
| 12672833 | | ST | REV | PD1 |
| | | R | 001 | |
| | | | | 1 OF 22 |

| PAGE | DWG STATUS | | | | | REVISION HISTORY | AUTH | DR | CK | ENG |
|------|------------|----|-----|-----|-----|---------------------------------|--------|-----|----|-----|
| | DATE | ST | REV | CHG | PDI | | | | | |
| | 05JN15 | R | 001 | | | RELEASED TO PRODUCTION AT DLS A | CRMRJE | DFK | | |

| PAGE | DWG STATUS | | | | | REVISION HISTORY | AUTH | DR | CK | ENG |
|------|------------|----|-----|-----|-----|------------------|------|----|----|-----|
| | DATE | ST | REV | CHG | PDI | | | | | |
| | | | | | | | | | | |

| | | | | | | | |
|---|----------------|----------------|------------|----|-----|-------------|---------|
|  | PAGE TITLE | DRAWING NUMBER | DWG STATUS | | | PAGE NUMBER | |
| | REVISION BLOCK | | 12672833 | ST | REV | PDI | 2 OF 22 |
| | | | | R | 001 | | |

KEY PRODUCT CHARACTERISTICS
(IN ACCORDANCE WITH QN 1805 OR ON 1050)



SAFETY/COMPLIANCE

TOTAL ON
DRAWING

4



FIT/FUNCTION

LAST NO.
USED

4

| NO | TYPE | DESCRIPTION | RATIONALE | PAGE/ZONE |
|----|------|---------------------------------|-------------------------------------|-----------|
| 1 | F/F | 32.68 | IMPROVE CONNECTOR SYSTEM MATING | 16 |
| 2 | F/F | 29.00 | INSURE PROPER RELEASE OF LEVER | 16 |
| 3 | F/F | 15.25 | INSURE FINAL MATE POSITION | 17 |
| 4 | F/F | POSITIONAL TOLERANCE (2 PLACES) | INSURE CONNECTOR SYSTEM MATEABILITY | 20 |



PAGE TITLE
KPC BLOCK

DRAWING NUMBER

12672833

DWG STATUS

| | | |
|----|-----|-----|
| ST | REV | PDI |
|----|-----|-----|

| | | |
|---|-----|--|
| R | 001 | |
|---|-----|--|

PAGE NUMBER

4 OF 22

| LINE | MFG. | MFG. P/N | GM P/N | EFFECTIVE DATE | APPLICABLE COMPONENTS | KEY OPTION | WIRE DRESS OPTION | KEY CONFIG. | COLOR | STATUS |
|------|--------|--------------|----------|----------------|--|------------|-------------------|-------------|---------|------------|
| | | | | | DESCRIPTION | | | | | |
| - | | | | | | | | | | |
| 1 | MOLEX | 34565-0003 | 12582676 | 02JN03 | MX123 DRESS COVER 52/66/73/80 CKT | N/A | N/A | N/A | BLACK | AVAILABLE |
| 2 | MOLEX | 160094-0001 | 12672852 | 01SP13 | MX123 HRNS CONN ASSY 52 CKT | A | 0 | 1458 | BLACK | AVAILABLE |
| 3 | MOLEX | 160094-0003 | 12672854 | 01SP13 | MX123 HRNS CONN ASSY 52 CKT | C | 0 | 2467 | BLUE | AVAILABLE |
| 4 | MOLEX | 160094-0013 | 12672853 | 01SP13 | MX123 HRNS CONN ASSY 52 CKT | A | 9 | 1458 | BLACK | AVAILABLE |
| 5 | MOLEX | 160094-0015 | 12672855 | 01SP13 | MX123 HRNS CONN ASSY 52 CKT | C | 9 | 2467 | BLUE | AVAILABLE |
| 6 | MOLEX | 34822-0013 | 12672856 | 01SP13 | MX123 HRNS CONN ASSY 66 CKT | A | 0 | 1458 | BLACK | AVAILABLE |
| 7 | MOLEX | 34822-0033 | 12672858 | 01SP13 | MX123 HRNS CONN ASSY 66 CKT | C | 0 | 2467 | BLUE | AVAILABLE |
| 8 | MOLEX | 34822-0023 | 12672857 | 01SP13 | MX123 HRNS CONN ASSY 66 CKT | A | 9 | 1458 | BLACK | AVAILABLE |
| 9 | MOLEX | 34822-0043 | 12672859 | 01SP13 | MX123 HRNS CONN ASSY 66 CKT | C | 9 | 2467 | BLUE | AVAILABLE |
| 10 | MOLEX | 34566-0103 | 12672860 | 11JN04 | MX123 HRNS CONN ASSY 73 CKT | A | 0 | 1458 | BLACK | AVAILABLE |
| 11 | MOLEX | 34566-0203 | 12672862 | 11JN04 | MX123 HRNS CONN ASSY 73 CKT | B | 0 | 1468 | ST GRAY | AVAILABLE |
| 12 | MOLEX | 34566-0303 | 12672864 | 09AP08 | MX123 HRNS CONN ASSY 73 CKT | C | 0 | 2467 | BLUE | AVAILABLE |
| 13 | MOLEX | 34566-0603 | 12672866 | 05DC14 | MX123 HRNS CONN ASSY 73 CKT | F | 0 | 1357 | NATURAL | AVAILABLE |
| 14 | MOLEX | 34566-1303 | 12672861 | 11JN04 | MX123 HRNS CONN ASSY 73 CKT | A | 9 | 1458 | BLACK | AVAILABLE |
| 15 | MOLEX | 34566-1403 | 12672863 | 11JN04 | MX123 HRNS CONN ASSY 73 CKT | B | 9 | 1468 | ST GRAY | AVAILABLE |
| 16 | MOLEX | 34566-1503 | 12672865 | 09AP08 | MX123 HRNS CONN ASSY 73 CKT | C | 9 | 2467 | BLUE | AVAILABLE |
| 17 | MOLEX | 34566-1803 | 12672867 | 05DC14 | MX123 HRNS CONN ASSY 73 CKT | F | 9 | 1357 | NATURAL | AVAILABLE |
| 18 | MOLEX | 34566-0703 | 12672872 | 09AP08 | MX123 HRNS CONN ASSY 80 CKT | G | 0 | 1358 | BLUE | AVAILABLE |
| 19 | MOLEX | 34566-0803 | 12672870 | 11JN04 | MX123 HRNS CONN ASSY 80 CKT | H | 0 | 2458 | ST GRAY | AVAILABLE |
| 20 | MOLEX | 34566-0903 | 12672868 | T.B.D | MX123 HRNS CONN ASSY 80 CKT | J | 0 | 2457 | BLACK | NOT ACTIVE |
| 21 | MOLEX | 34566-1903 | 12672873 | 09AP08 | MX123 HRNS CONN ASSY 80 CKT | G | 9 | 1358 | BLUE | AVAILABLE |
| 22 | MOLEX | 34566-2003 | 12672871 | 11JN04 | MX123 HRNS CONN ASSY 80 CKT | H | 9 | 2458 | ST GRAY | AVAILABLE |
| 23 | MOLEX | 34566-2103 | 12672869 | T.B.D | MX123 HRNS CONN ASSY 80 CKT | J | 9 | 2457 | BLACK | NOT ACTIVE |
| 24 | MOLEX | 34736-0028 | 12672851 | 01AU10 | MX64 RCPT TERM Ag 0.5mm/0.75mm ISO GAGE B (RIGHT PAYOFF) | N/A | N/A | N/A | N/A | AVAILABLE |
| 25 | MOLEX | 34736-0026 | 12672850 | 01AU10 | MX64 RCPT TERM Ag 0.35mm ISO GAGE B (RIGHT PAYOFF) | N/A | N/A | N/A | N/A | AVAILABLE |
| 26 | MOLEX | 34586-0001 | 12674820 | 11JN04 | MX123 0.64mm GROMMET PLUG | N/A | N/A | N/A | NATURAL | AVAILABLE |
| 27 | YAZAKI | 7116-4150-02 | 12588066 | 02JN03 | 2.8mm YESC SEALED FEMALE TERMINAL TIN 0.35mm2-0.50mm2 | N/A | N/A | N/A | N/A | NOT ACTIVE |
| 28 | YAZAKI | 7116-4151-02 | 12588067 | 02JN03 | 2.8mm YESC SEALED FEMALE TERMINAL TIN 0.75mm2-1.0mm2 | N/A | N/A | N/A | N/A | NOT ACTIVE |
| 29 | YAZAKI | 7116-4152-02 | 12582685 | 02JN03 | 2.8mm YESC SEALED FEMALE TERMINAL TIN 1.5mm2-2.5mm2 | N/A | N/A | N/A | N/A | AVAILABLE |
| 30 | YAZAKI | 7158-3111-60 | 12588068 | 02JN03 | 2.8mm CABLE SEAL (wire O.D. range 1.2mm-1.9mm) | N/A | N/A | N/A | GREEN | NOT ACTIVE |
| 31 | YAZAKI | 7158-3112-70 | 12588069 | 02JN03 | 2.8mm CABLE SEAL (wire O.D. range 1.8mm-2.3mm) | N/A | N/A | N/A | YELLOW | NOT ACTIVE |
| 32 | YAZAKI | 7158-3113-40 | 12582686 | 02JN03 | 2.8mm CABLE SEAL (wire O.D. range 2.1mm-3.0mm) | N/A | N/A | N/A | WHITE | AVAILABLE |
| 33 | YAZAKI | 7158-3114-90 | 12674821 | 02JN03 | 2.8mm YESC CAVITY PLUG | N/A | N/A | N/A | BLUE | AVAILABLE |
| 34 | MOLEX | 63825-8400 | N/A | 02JN03 | MX64 TERM HAND CRIMP TOOL | N/A | N/A | N/A | N/A | AVAILABLE |
| 35 | MOLEX | 63813-1400 | XX019826 | 02JN03 | MX64 TERM SERVICE TOOL | N/A | N/A | N/A | N/A | AVAILABLE |
| 36 | MOLEX | 63902-5300 | N/A | 02JN03 | MX64 CRIMP APPLICATOR with TOOL KIT 0.5/0.75mm2 PAYOFF DIRECTION D (left payoff) (contact Molex for payoff detail) | N/A | N/A | N/A | N/A | AVAILABLE |
| 37 | MOLEX | 63902-5370 | N/A | 02JN03 | MX64 APPLICATOR TOOL KIT 0.5/0.75mm2 | N/A | N/A | N/A | N/A | AVAILABLE |
| 38 | MOLEX | 63902-5100 | N/A | 02JN03 | MX64 CRIMP APPLICATOR with TOOL KIT 0.35mm2 PAYOFF DIRECTION D (left payoff) (contact Molex for payoff detail) | N/A | N/A | N/A | N/A | AVAILABLE |
| 39 | MOLEX | 63902-5170 | N/A | 02JN03 | MX64 APPLICATOR TOOL KIT 0.35mm2 | N/A | N/A | N/A | N/A | AVAILABLE |
| 40 | SPX | J35616-64 | T.B.D. | 02JN03 | 0.64mm PROBE TOOL (for rcpt) | N/A | N/A | N/A | N/A | AVAILABLE |
| 41 | SPX | J35616-64A | T.B.D. | 02JN03 | 0.64mm PROBE TOOL WITH EXT (for rcpt) | N/A | N/A | N/A | N/A | AVAILABLE |
| 42 | SPX | J35616-65 | T.B.D. | 02JN03 | 0.64mm PROBE TOOL WITH EXT (for pin) | N/A | N/A | N/A | N/A | AVAILABLE |
| 43 | SPX | J35616-4A | T.B.D. | 02JN03 | 2.8mm PROBE TOOL (for rcpt) | N/A | N/A | N/A | N/A | AVAILABLE |
| 44 | YAZAKI | X39899-J374 | 12094430 | 02JN03 | 2.8mm TERM SERVICE TOOL | N/A | N/A | N/A | N/A | AVAILABLE |
| 45 | TQI | 7000-1006 | N/A | 15JN15 | 52 CKT PASS THROUGH ADAPTERS | N/A | N/A | N/A | BLACK | AVAILABLE |
| 46 | TQI | 7000-1002 | N/A | 15JN15 | 66 CKT PASS THROUGH ADAPTERS | N/A | N/A | N/A | BLACK | AVAILABLE |
| 47 | TQI | 79917-0061 | N/A | 15JN15 | 73 CKT PASS THROUGH ADAPTERS | N/A | N/A | N/A | BLACK | AVAILABLE |
| 48 | TQI | 79917-0066 | N/A | 15JN15 | 80 CKT PASS THROUGH ADAPTERS | N/A | N/A | N/A | BLACK | AVAILABLE |

* - MX123 DRESS COVER 52/66/73/80 CKT MATES TO ANY MX123 HARN CONN ASSY SHOWN ON TABLE ABOVE



PAGE TITLE
COMPONENT TABLE

DRAWING NUMBER

12672833

DWG STATUS

| | | |
|----|-----|-----|
| ST | REV | PD1 |
| R | 001 | |

PAGE NUMBER

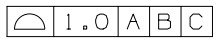
5 OF 22

NOTES: UNLESS OTHERWISE SPECIFIED

1. MATERIAL FOR INTERFACE:


- A. RESIN:
 - 1. 30% G.F. PBT; 20% MAX. (BY WEIGHT) REGRIND.
 - 2. MATING CONNECTOR INTERFACE PART COLOR MUST BE SAME AS MATCHING KEYED HARNESS CONNECTOR ASSEMBLY.
 - 3. MUST BE VALIDATED FOR INDIVIDUAL DEVICE APPLICATION REQUIREMENTS.
- B. 0.64MM PINS:
 - 1. BASE MATERIAL: COPPER ALLOY; CONDUCTIVITY >= 28% IACS AT 20°C; TENSILE STRENGTH >= 635 N/mm²; SURFACE ROUGHNESS R_a 6 MAX.
 - 2. PLATING FINISH: SILVER (Ag). PLATING TO BE 1.9-3.3 μm ELECTRODEPOSITED SEMI-BRIGHT SILVER OVER 1.25-2.25 μm DUCTILE SULPHAMATE NICKEL PER NOTE 1(D).
 - 3. ANTI-TARNISH: SYNTHETIC HYDROCARBON CONTACT SURFACE FINISH OR EQUIVALENT APPLIED WITHOUT VOID TO CONTACT AREA (MIN 3.7mm FROM PIN TIP).
- C. 2.8MM BLADE:
 - 1. BASE MATERIAL: COPPER ALLOY; CONDUCTIVITY >= 28% IACS AT 20°C; TENSILE STRENGTH >= 350 N/mm²; SURFACE ROUGHNESS R_a 6 MAX.
 - 2. PLATING FINISH: TIN. PLATING TO BE 2.5-5.0 μm ELECTRODEPOSITED TIN, MATTE FINISH OVER 1.25-2.5 μm DUCTILE SULPHAMATE NICKEL PER NOTE 1(D).
- D. PLATING REQUIREMENTS:
 - 1. SILVER PLATING
 - a. 99.5% PURE SEMI-BRIGHT WITH NO ORGANIC BRIGHTNERS OR CHROMATES.
 - 2. NICKEL PLATING
 - a. ELECTRODEPOSITED DUCTILE SULFAMATE NICKEL WITH A NON-BRIGHTENED FINISH. NO ORGANIC OR BRIGHTENING AGENTS SHALL BE ALLOWED.
 - b. SHALL ONLY BE USED AS AN UNDERLYING PLATING AND MAY NOT BE USED AS AN ELECTRICAL CONTACT SURFACE PLATING.
 - c. SHALL BE NODULE FREE WHEN VIEWED AT 10X MAGNIFICATION IN MEASURED IN CONTACT SURFACE AREA PLUS 0.5MM PERIMETER AROUND THE CONTACT SURFACE AREA.
 - d. ALL PLATINGS SHALL HAVE A 1.0% MAXIMUM BY WEIGHT IMPURITIES. IMPURITIES ARE DEFINED AS ALL ELEMENTS NOT THE PRIMARY PLATING OR HARDENING AGENT IF APPLICABLE, AS DETERMINED BY WET CHEMICAL ANALYSIS OR AUGER METHOD. NO SINGLE IMPURITY SHALL EXCEED 0.1% MAXIMUM BY WEIGHT.
 - 3. TESTING
 - a. THICKNESS TO BE MEASURED IN CONTACT SURFACE AREA PLUS 0.5MM PERIMETER AROUND THE CONTACT SURFACE AREA AS DESIGNATED IN THE DRAWING. THICKNESS SHALL BE DETERMINED BY METHOD OF X-RAY (XRF).
 - b. PLATING ADHESION SHALL BE TESTED BY A BEND TEST FOR ALL METALS. THE TEST SAMPLE SHALL BE BENT 90 DEGREES TO DETERMINE DEPOSIT ADHESION. TESTING SHALL BE COMPLETED IN ACCORDANCE WITH ASTM SPEC B571.

2. DESIGN - GENERAL:

- A. THIS IS A 100% CAD GENERATED PART. THE CAD MATHEMATICAL DATA IS THE MASTER FOR THIS PART. FOR DIMENSIONAL OR ANY INFORMATION NOT SHOWN ON THIS DRAWING, ANALYZE THE CAD MODEL.
- B. TOLERANCES:
 - 1. LINEAR
 - 0.X ± 0.30
 - 0.XX ± 0.10
 - 0.XXX ± 0.10
 - 2. ANGULAR X° ± 3°
 - 3. 
- C. MINIMUM WALL THICKNESS REQUIRED: 1.3mm.
- D. CORNERS SHOWN AS SHARP TO BE R 0.2 MAX.
- E. LETTERING SHALL BE 0.15 MAX RAISED IN 0.20 MAX RECESS PAD. THIS INCLUDES MATERIAL CODE, RECYCLING CODE, CAVITY ID AND DATE CODE.
- F-1. PARTS MUST BE FREE OF DISCOLORATION, SALT RESIDUE AND OTHER IMPERFECTIONS THAT AFFECT FIT OR FUNCTION.
- F-2. SCRATCHES OR DENTS NOT TO EXCEED 0.013mm IN DEPTH.
- G. FOLLOWING PRODUCTION CODES TO BE PERMANENTLY MARKED & HUMAN READABLE TO A LETTER HEIGHT OF 1.5 ± 0.5MM X 0.3 MAX DEEP
 - 1. MATERIAL #: XXXXX-XXXX
 - 2. DATE CODE: JJJY (JULIAN DAY, LAST DIGIT OF YEAR)
 - 3. INSPECTION MACHINE CODE + SERIAL #: X_XXXXX

3. DESIGN - MANUFACTURING:

- A. DRAFT TO BE WITHIN TOLERANCE.
- B. ALLOWABLE FLASH MAX 0.2 HIGH X MAX 0.13 THICK.
- C. ALLOWABLE PARTING LINE MISMATCH 0.2 MAX.
- D. EJECTOR PINS MARK TO BE FLUSH TO 0.25 MAX DEPRESSED.
- E. ALLOWABLE GATE VESTIGE FLUSH TO 0.25 MAX PROTRUSION.
- F. NO EXTERNAL MOLD RELEASE AGENT ALLOWED DURING MANUFACTURING.
- G. STEEL THAT FORMS THE INDICATED SURFACE MUST BE POLISHED WITH A DIAMOND FINISH (SPI A-2) OVER THE FULL PERIPHERY OF THE TOOL. SURFACE MUST HAVE NO MISMATCH.
- H. ANY PROCESS LUBRICANT REMAINING ON THE TERMINAL MUST NOT VARNISH OR DEGRADE IT'S ELECTRICAL PERFORMANCE UP TO A MAXIMUM CLASS AMBIENT TEMPERATURE PER SAE USCAR-2 FOR 1008 HOURS. PROCESS LUBRICANTS SHOULD BE APPROVED BY THE RESPONSIBLE ENGINEER.
- J. OPTIONAL FEATURES PROVIDED FOR AUTOMATION.
- K. PART MUST BE FREE FROM BURRS AND SHARP EDGES, WHICH MIGHT BE DETRIMENTAL TO SATISFACTORY ASSEMBLY, SAFE HANDLING OR FUNCTION OF PART.
- L. PARTS AS DELIVERED TO ASSEMBLY SHALL BE CLEAN AND FREE OF DEBRIS, RESIDUAL ABRASIVE MATERIAL AND CORROSION PRODUCTS ADVERESLY AFFECTING FUNCTION OR APPEARANCE.
- M. RESTRICTED AND REPORTABLE SUBSTANCES FOR PARTS PER GMW3059.

| | | | | | | | |
|---|------------|----------------|------------|----|-----|-------------|---------|
|  | PAGE TITLE | DRAWING NUMBER | DWG STATUS | | | PAGE NUMBER | |
| | NOTES | | 12672833 | ST | REV | PDI | 6 OF 22 |
| | | | | R | 001 | | |

NOTES: UNLESS OTHERWISE SPECIFIED

4. SYSTEM REQUIREMENTS:

- A. HARNESS CONNECTOR IS COMPATIBLE WITH THE FOLLOWING ISO WIRE SIZE NO'S:
 0.35mm², MEETING GMW15626 - MIN OD OF 1.30MM
 0.50mm², MEETING GMW15626
 0.75mm², MEETING GMW15626 - MAX OD OF 2.06MM

B. CABLE TIE SPECIFICATIONS:

1. CABLE TIE:
 - TENSILE RATING: 220N / (50lbs) MIN
 - TIE LENGTH: 186mm MIN
 - TIE WIDTH: 4.75mm MAX
 - MATERIAL: NYLON
2. INSTALLATION:
 - CABLE TIE TENSION: 190N MIN
3. DRESSED WIRE BUNDLE PACKAGING: SEE FIG. 1

C. WHEN MATED WITH COMPONENT CONNECTOR INTERFACE AND/OR DRESS COVER, HARNESS CONNECTOR SYSTEM CONFORMS TO THE FOLLOWING:

1. SAE/USCAR-2, REV: 3 APRIL, 2001; CLASS 3
2. FIELD CORRELATED LIFE TEST, SAE/USCAR-20, NOV. 2001
3. GMW #3191 AUGUST 22, 2000 (DRAFT); TEMPERATURE CLASS 3, SEALING CLASS 1, VIBRATION CLASS 2
4. RESTRICTED AND REPORTABLE CHEMICALS PER GMW #3059, REV: D AUGUST 2002
5. TPA USER FORCES (FULLY POPULATED WITH TERMINALS)
 - a. REMOVAL FROM LOCK TO PRE-SET: <=120N

D. WIRE SPECIFICATIONS:

1. WIRE SURFACE MUST BE FREE OF SCRATCHES, GROOVES OR DENTS WHERE FUNCTIONAL

5. TERMINAL CURRENT RATINGS:

A. MX64 RCPT TERM

ALL TESTING DONE IN ACCORDANCE WITH USCAR-2 REV5 SECTION 5.3

1. MX64 RCPT TERM Ag 0.50/0.75mm² CRIMPED TO 0.75mm² ISO WIRE AND MATED TO MX123 0.64MM PIN: SEE TABLE BELOW
2. MX64 RCPT TERM Ag 0.35mm² CRIMPED TO 0.35mm² ISO WIRE AND MATED TO MX123 0.64MM PIN: SEE TABLE BELOW

| WIRE | CURRENT RATING | | | |
|---------------------|----------------|-------|-------|-------|
| | 23°C | 85°C | 105°C | 125°C |
| 0.75mm ² | 11.3A | 11.3A | 9.5A | 6.6A |
| 0.50mm ² | 10.0A | 10.0A | 8.3A | 5.7A |
| 0.35mm ² | 8.5A | 8.5A | 7.1A | 5.0A |

B. 2.8MM RCPT TERM

ALL TESTING DONE IN ACCORDANCE WITH MOLEX DVP&R 0279 (TR # 7125)

1. 2.8MM RCPT TERM TIN 2.0mm² CRIMPED TO 2.0mm² ISO WIRE AND MATED TO MX123 2.8MM BLADE: 25.6 AMPS AT 125°C

6. CONTACT MOLEX AUTOMOTIVE FOR AVAILABLE CUSTOM PATTERNS OF CAVITIES OPEN FOR CIRCUITS - SEE GM DRAWING 13507496



PAGE TITLE
NOTES

DRAWING NUMBER

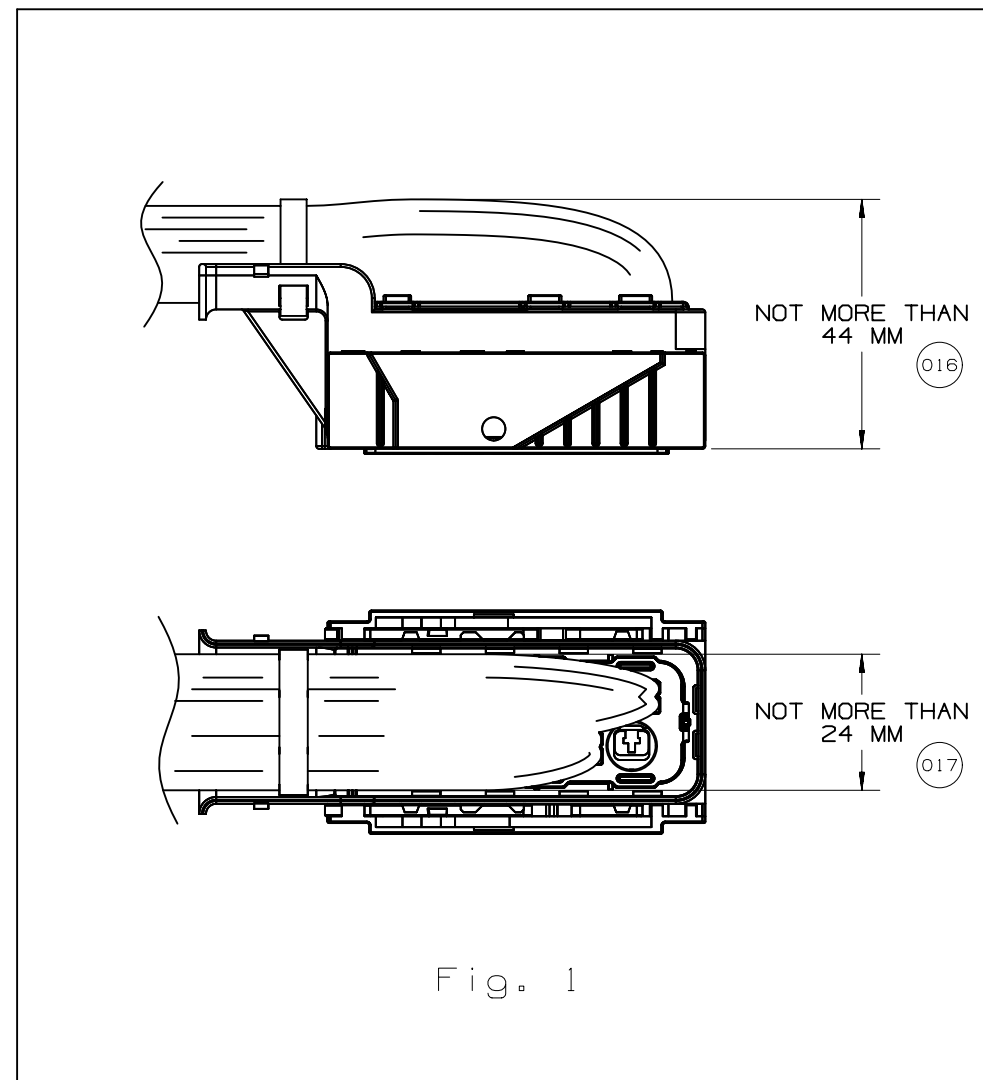
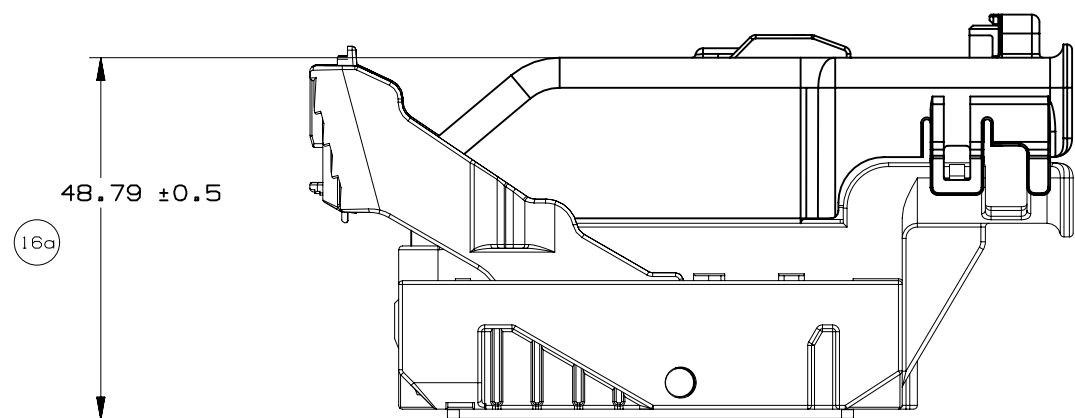
12672833

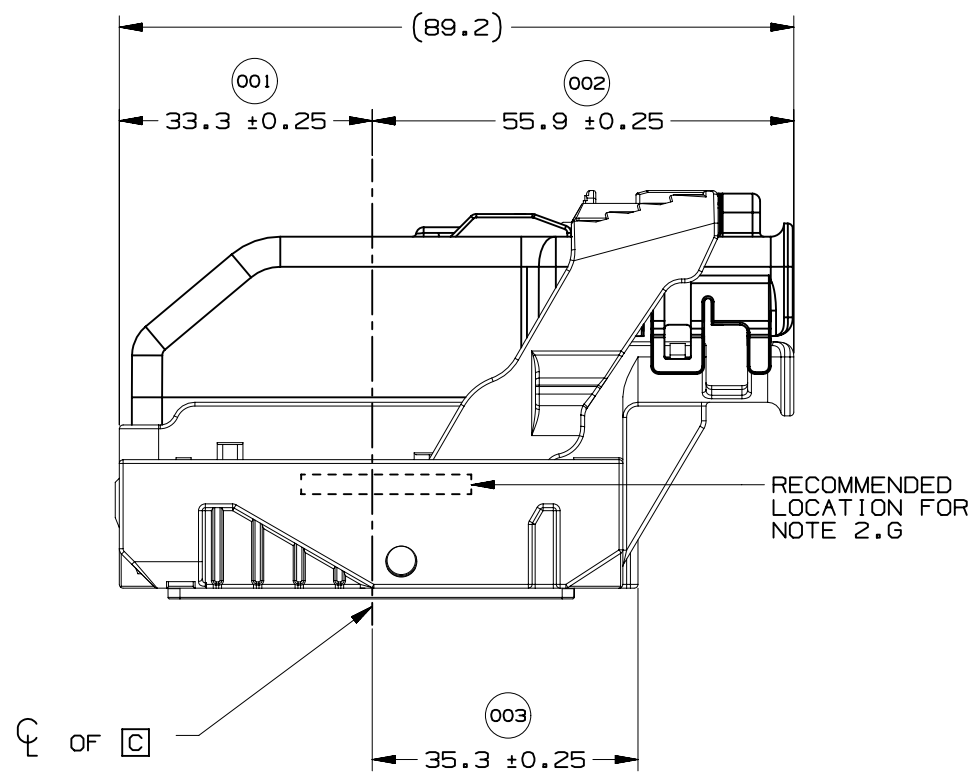
DWG STATUS

| ST | REV | PDI |
|----|-----|-----|
| R | 001 | |

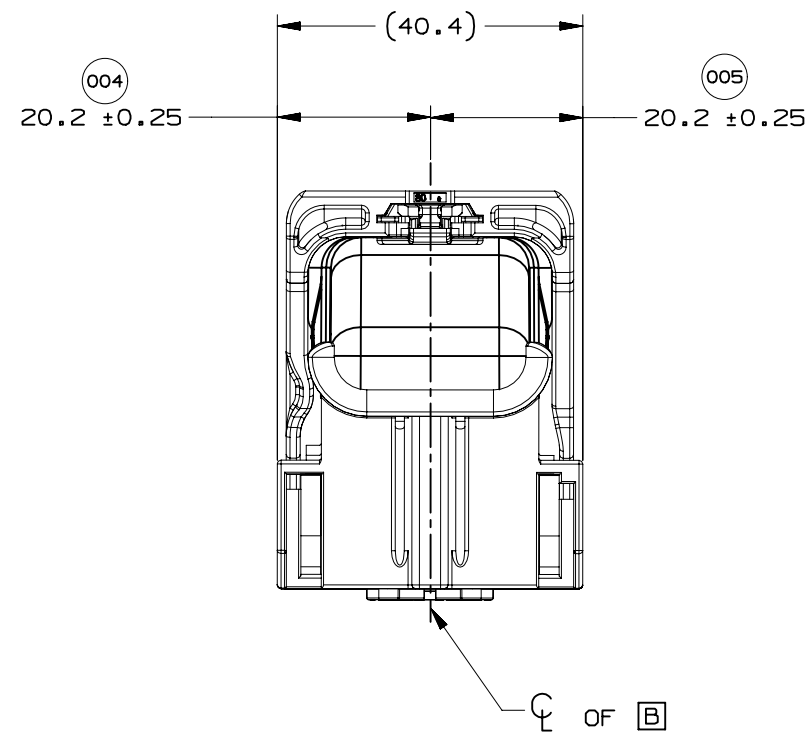
PAGE NUMBER

7 OF 22

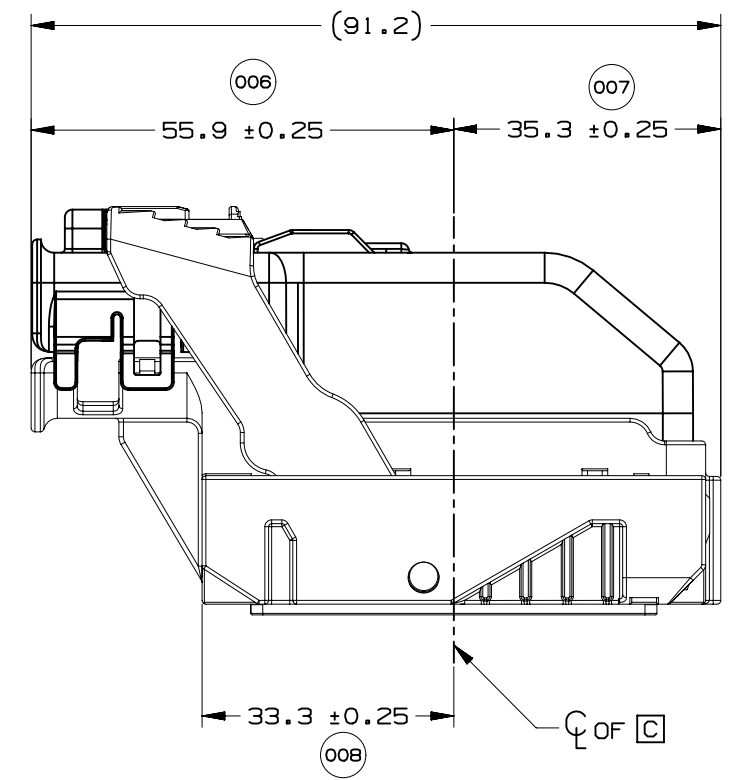




WIRE DRESS OPTION 0 SHOWN

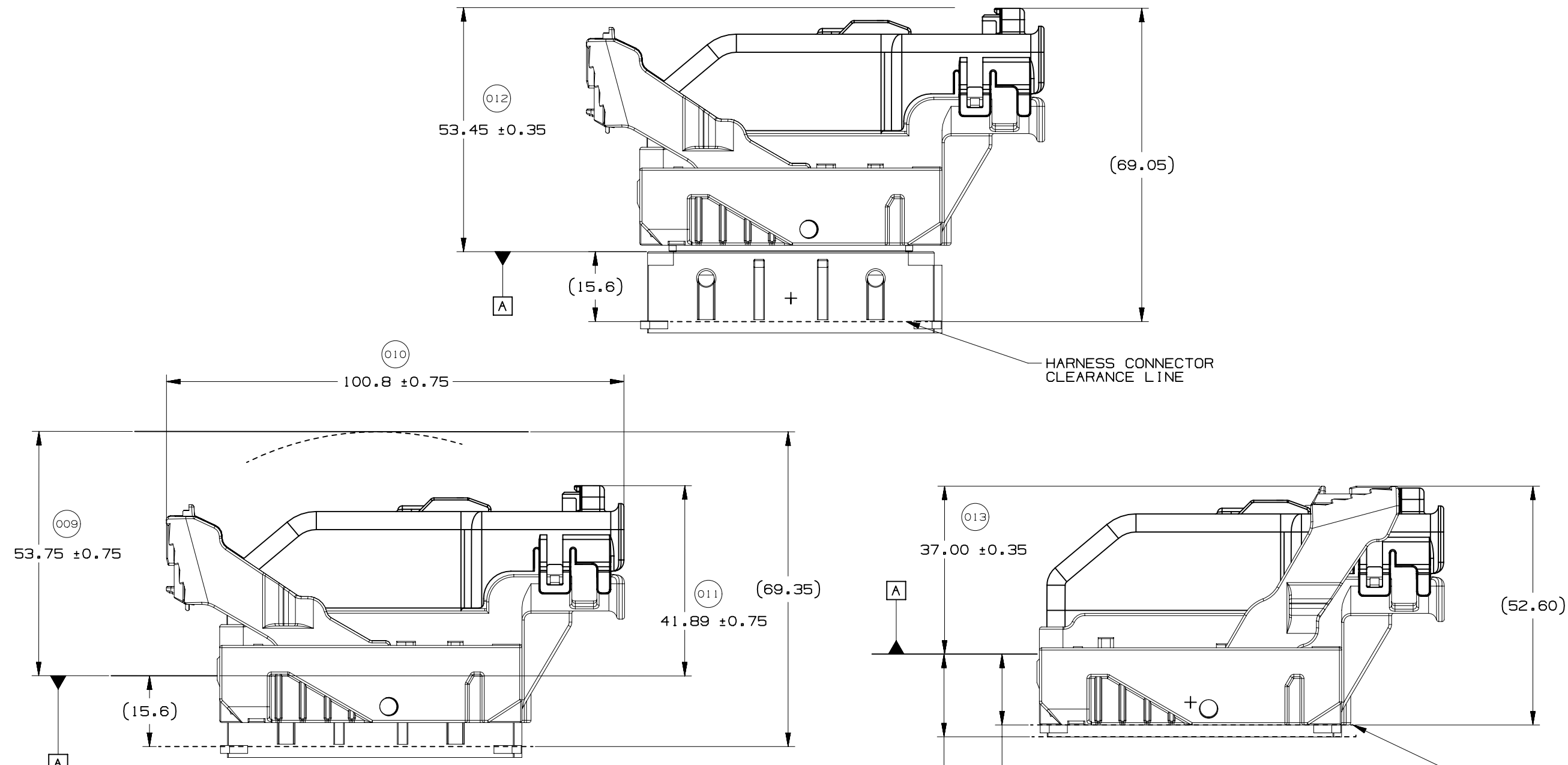


WIRE DRESS OPTION 0 SHOWN



WIRE DRESS OPTION 9 SHOWN





HARNESS CONNECTOR CLEARANCE LINE

HARNESS CONNECTOR ASSEMBLY IN FULLY-MATED POSITION

HARNESS CONNECTOR CLEARANCE LINE

15.6 MIN. ALL AROUND CLEARANCE REQUIRED FOR HARNESS CONNECTOR (014)

17.9 MIN. AT PAD LOCATION CLEARANCE REQUIRED FOR HARNESS CONNECTOR CONSTRUCTION BELOW THIS PLANE IS NOT CONTROLLED (015)

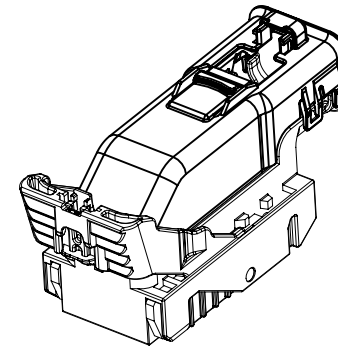
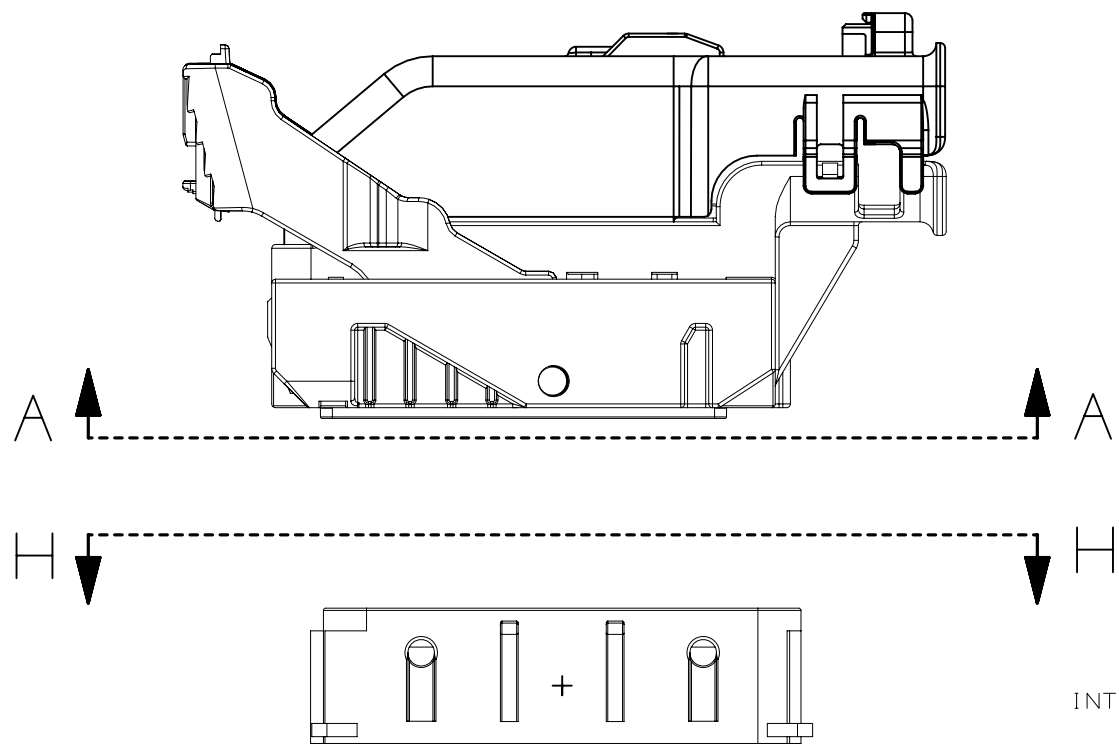


PAGE TITLE
 LOCATION AND PACKAGING DIMENSIONS
 REFERENCING INTERFACE DATUM A

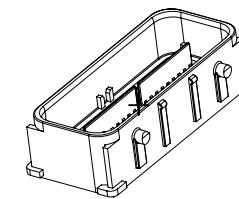
DRAWING NUMBER
 12672833

| DWG STATUS | | |
|------------|-----|-----|
| ST | REV | PD1 |
| R | 001 | |

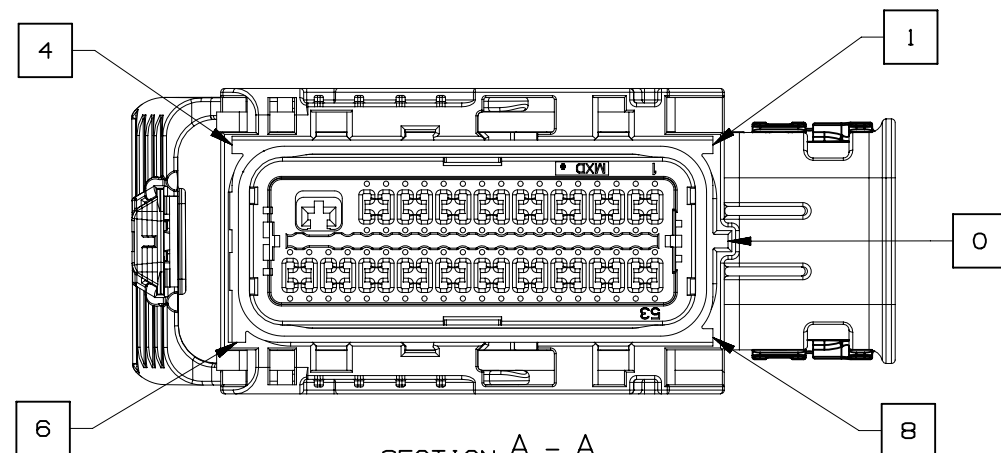
PAGE NUMBER
 10 OF 22



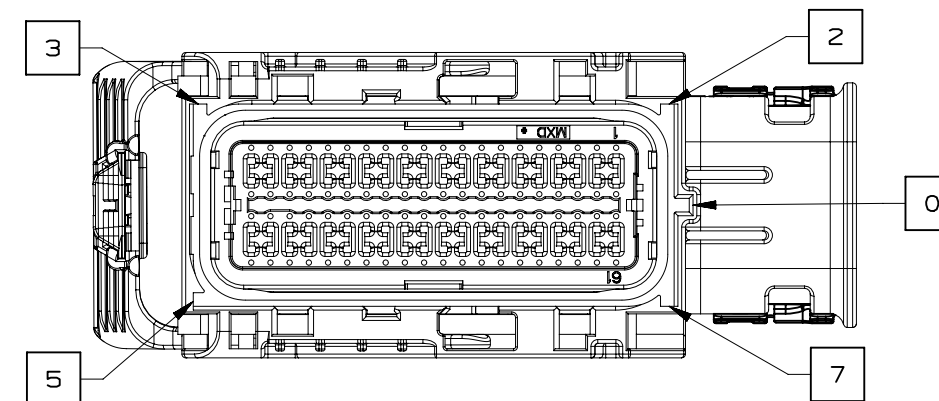
NOTE: REFERENCE THE COMPONENT TABLE FOR KEY OPTIONS AND CONFIGURATIONS



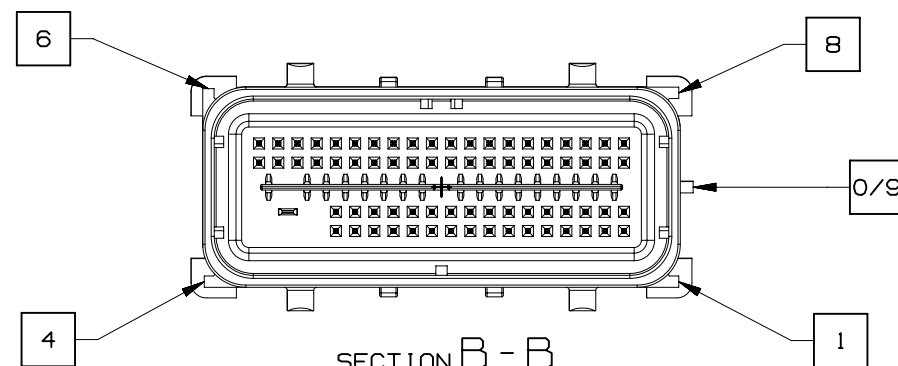
INTERFACE SIDE SHOWN ON ALL SECTION VIEWS



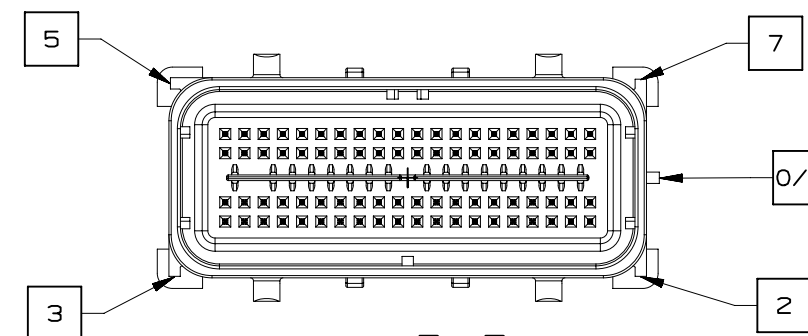
SECTION A - A
73 CKT HARNESS CONNECTOR ASSEMBLY
KEY OPTION B SHOWN



SECTION A - A
80 CKT HARNESS CONNECTOR ASSEMBLY
KEY OPTION K SHOWN



SECTION B - B
73 CKT HARNESS CONNECTOR ASSEMBLY
KEY OPTION B SHOWN



SECTION B - B
80 CKT HARNESS CONNECTOR ASSEMBLY
KEY OPTION K SHOWN

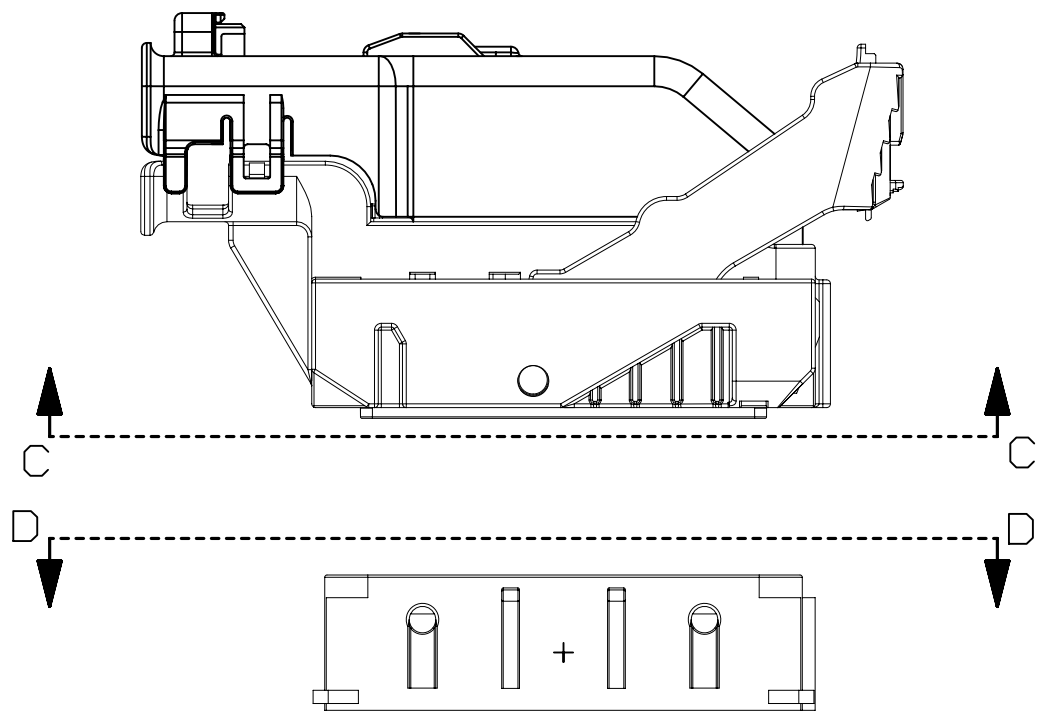


PAGE TITLE
KEY ID REF - WIRE DRESS OPTION 0

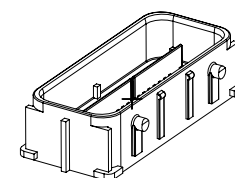
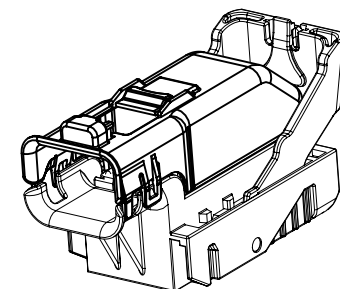
DRAWING NUMBER
12672833

| DWG STATUS | | |
|------------|-----|-----|
| ST | REV | PD1 |
| R | 001 | |

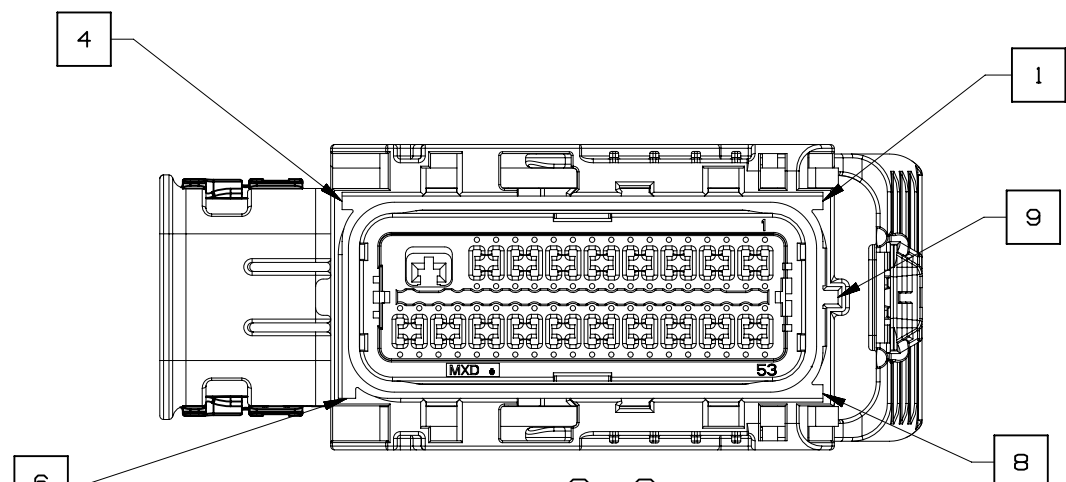
PAGE NUMBER
11 OF 22



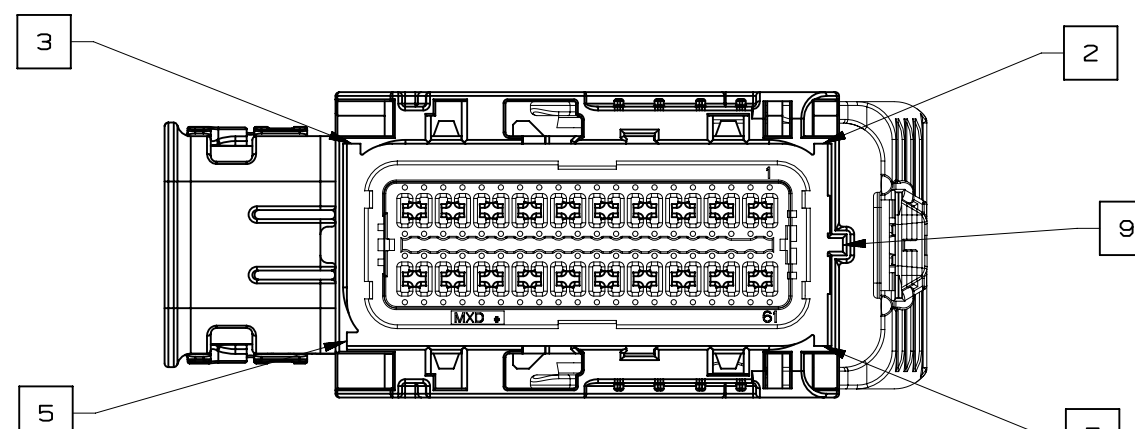
INTERFACE SIDE SHOWN ON ALL SECTION VIEWS



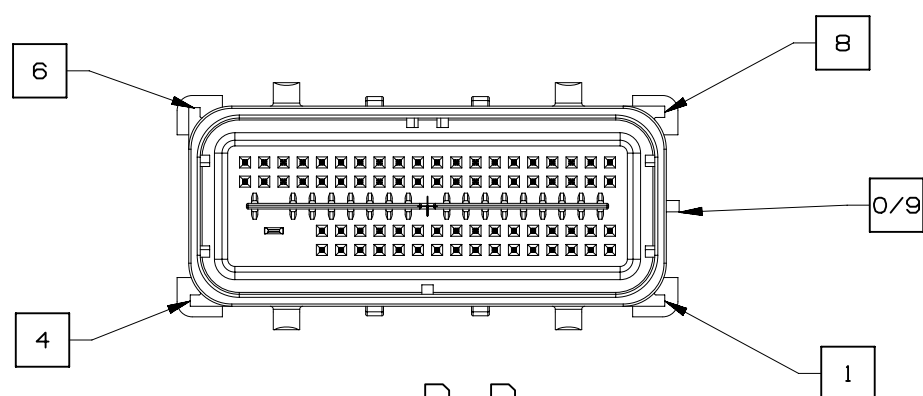
NOTE: REFERENCE THE COMPONENT TABLE FOR KEY OPTIONS AND CONFIGURATIONS



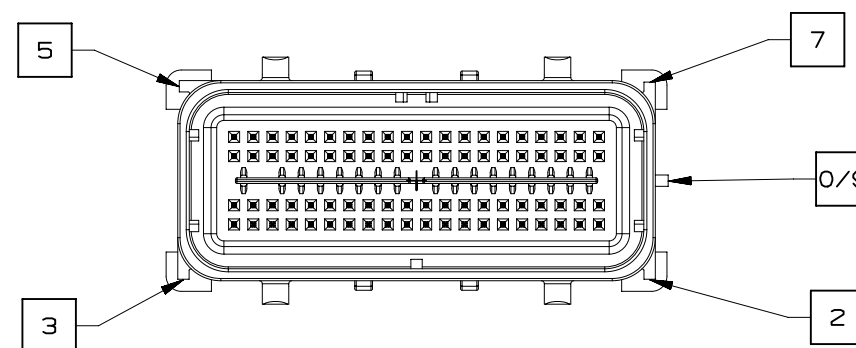
SECTION C - C
73 CKT HARNESS CONNECTOR ASSEMBLY
KEY OPTION B SHOWN



SECTION C - C
80 CKT HARNESS CONNECTOR ASSEMBLY
KEY OPTION K SHOWN



SECTION D - D
73 CKT HARNESS CONNECTOR ASSEMBLY
KEY OPTION B SHOWN



SECTION D - D
80 CKT HARNESS CONNECTOR ASSEMBLY
KEY OPTION K SHOWN

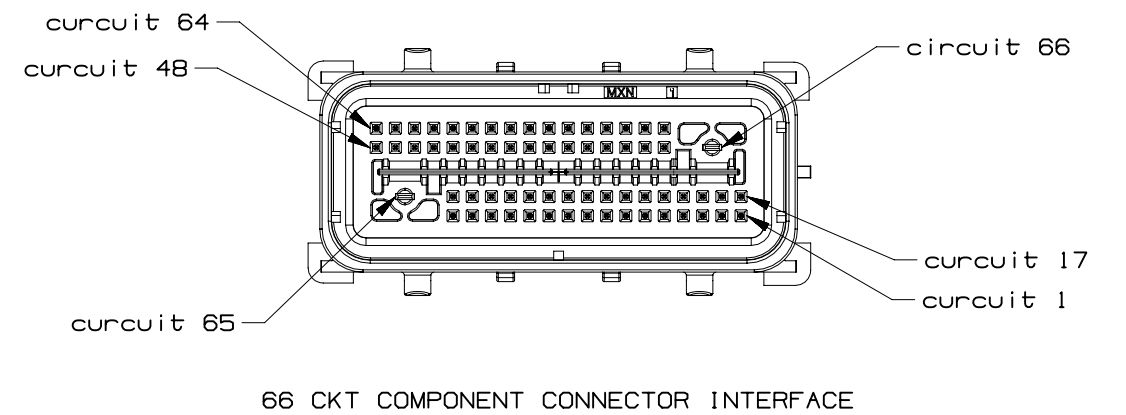
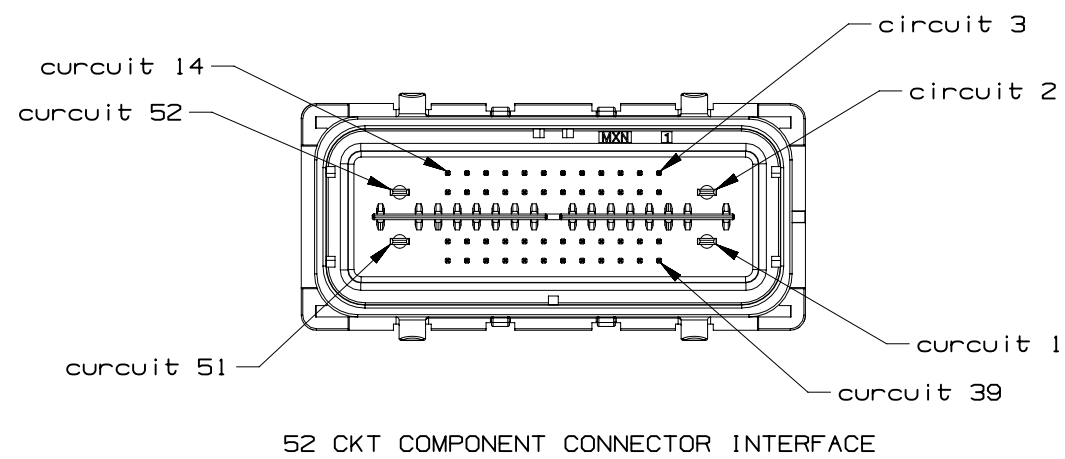
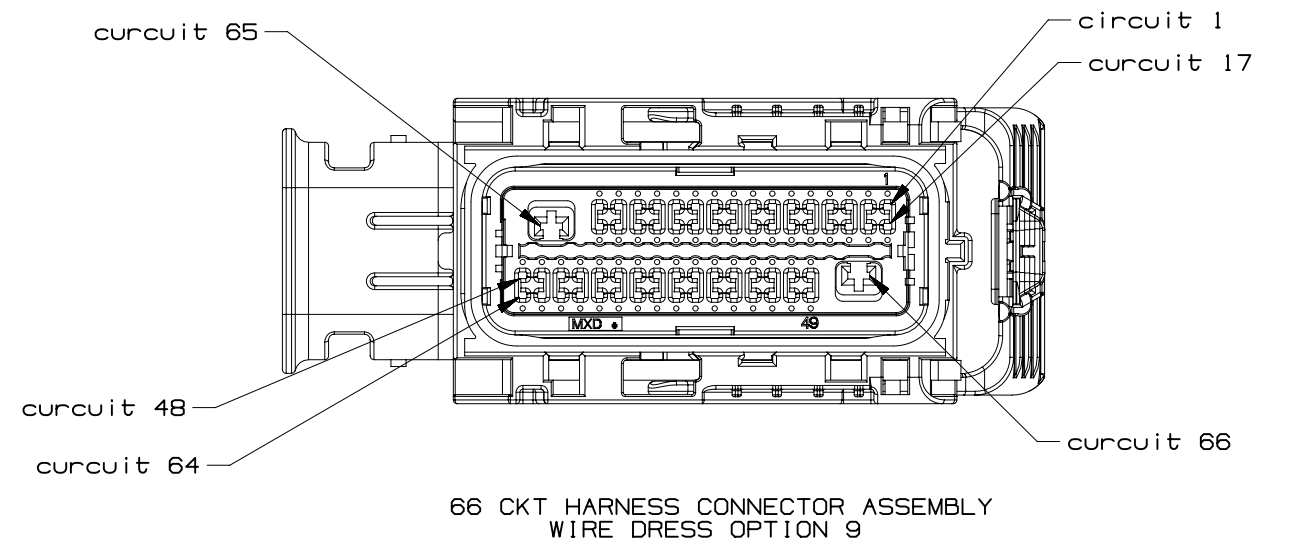
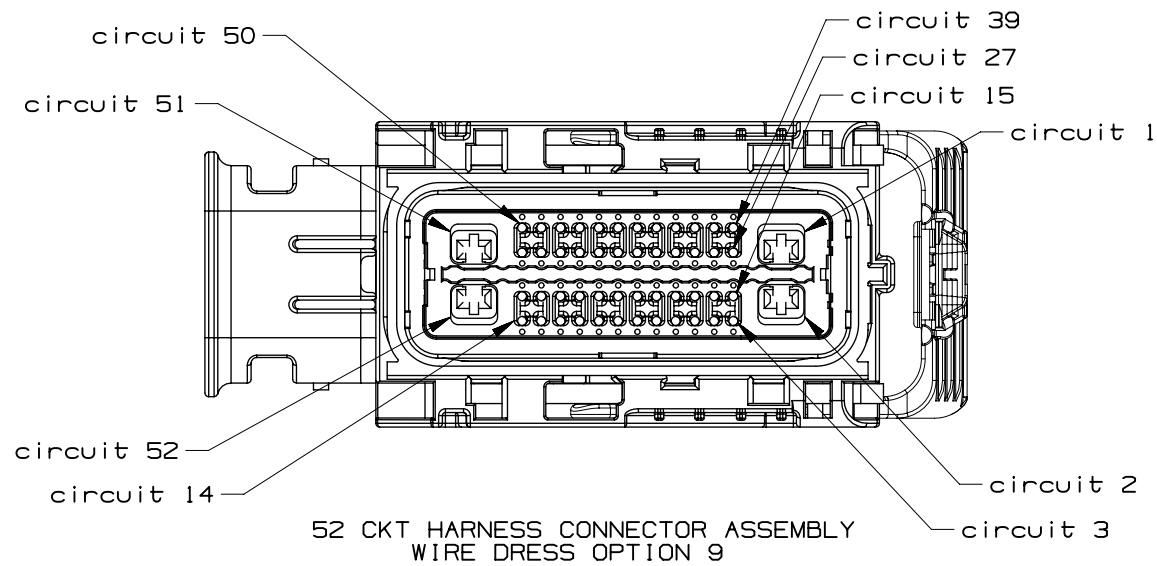
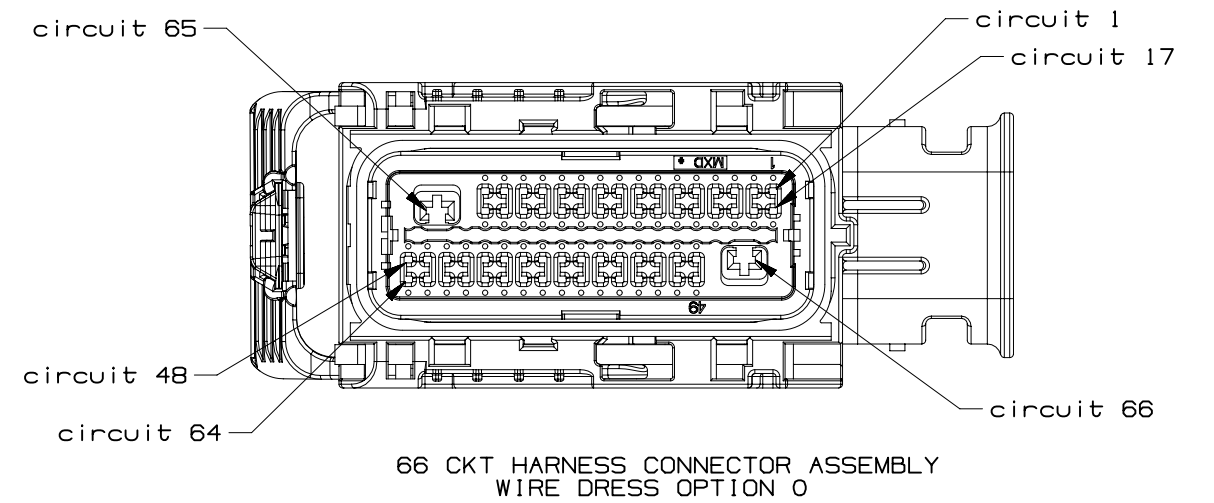
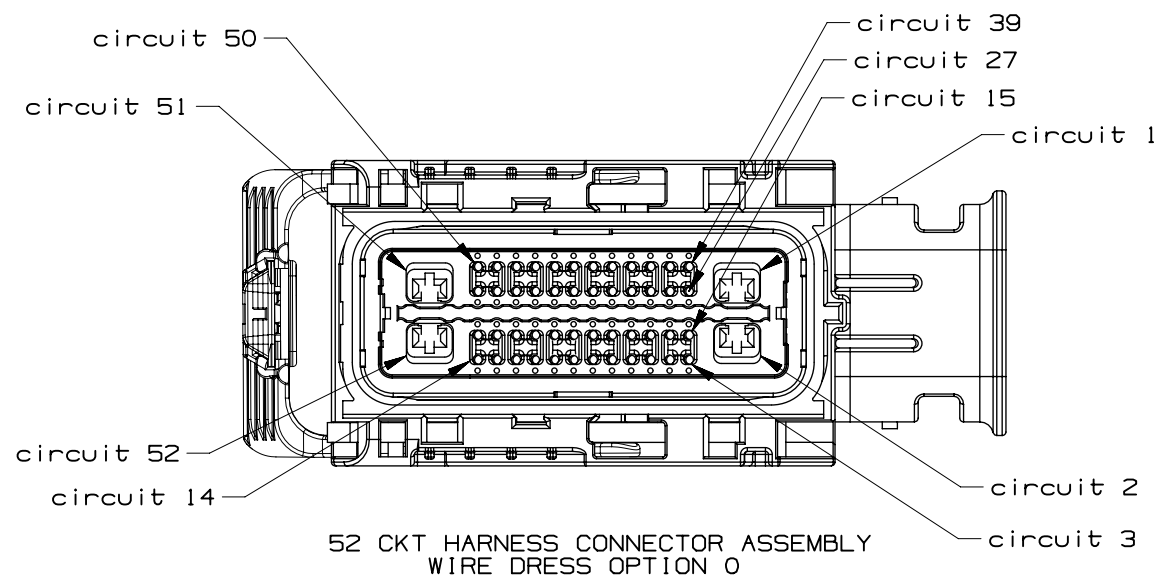


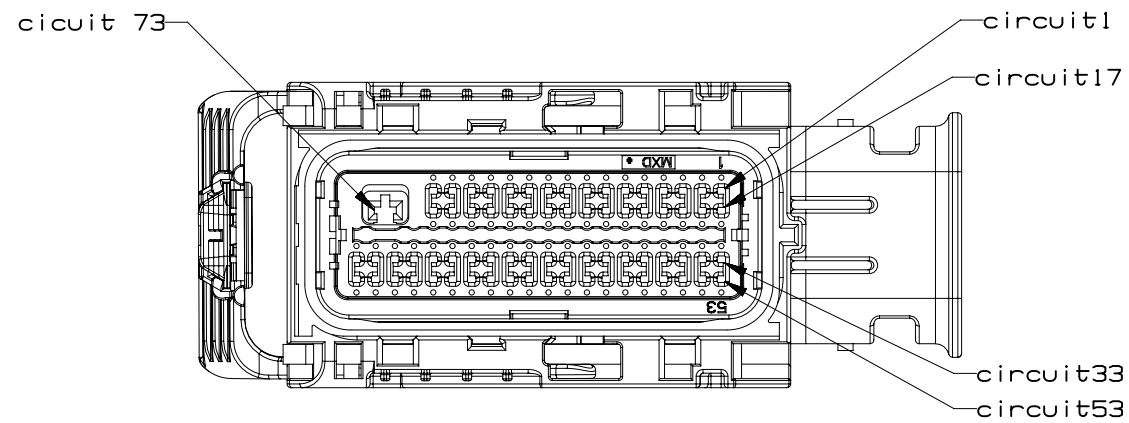
PAGE TITLE
KEY ID REF - WIRE DRESS OPTION 9

DRAWING NUMBER
12672833

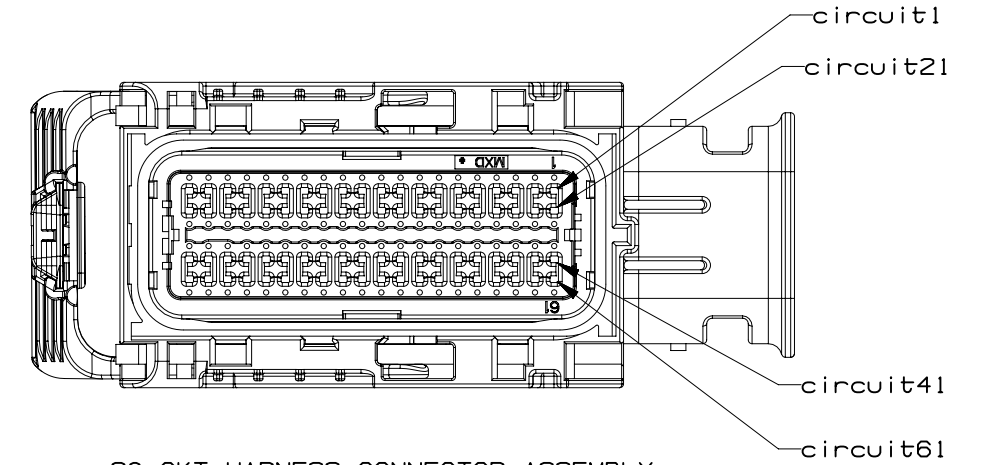
| DWG STATUS | | |
|------------|-----|-----|
| ST | REV | PD1 |
| R | 001 | |

PAGE NUMBER
12 OF 22



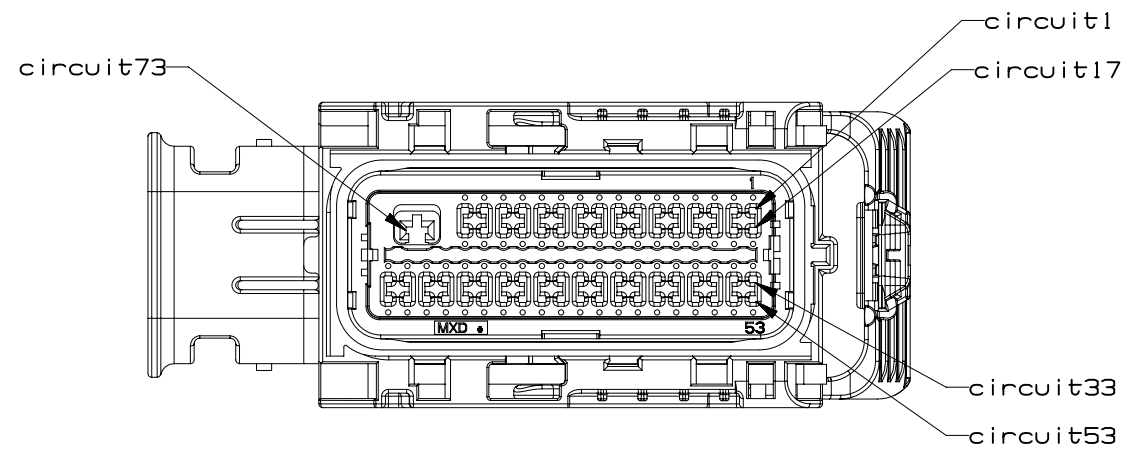


73 CKT HARNESS CONNECTOR ASSEMBLY
WIRE DRESS OPTION 0

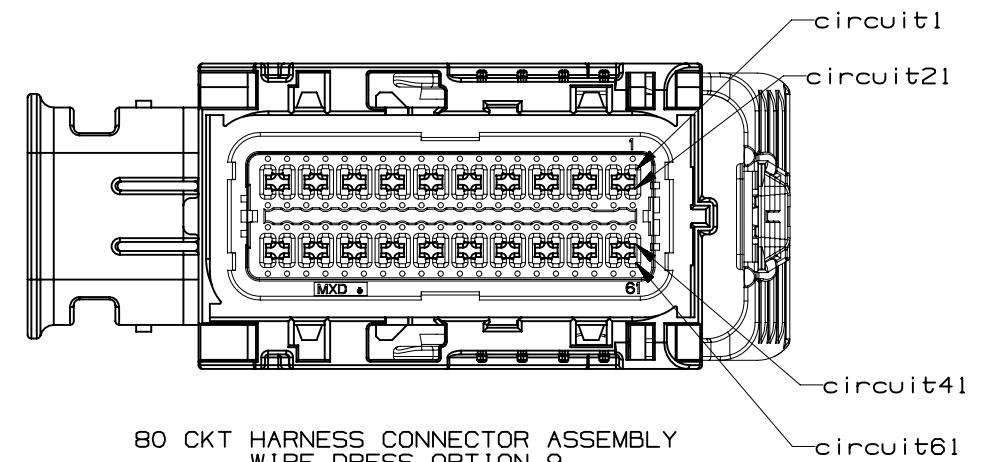


80 CKT HARNESS CONNECTOR ASSEMBLY
WIRE DRESS OPTION 0

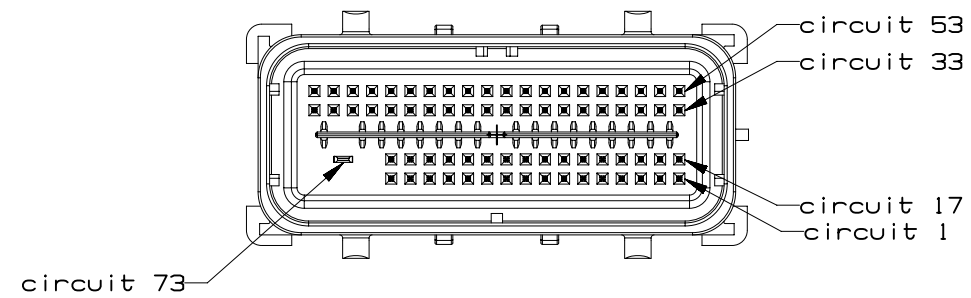
INTERFACE SIDE SHOWN ON ALL VIEWS



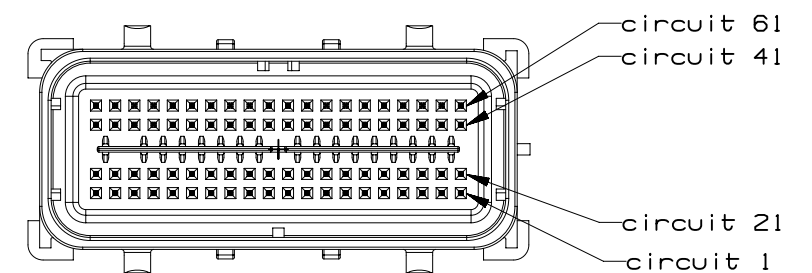
73 CKT HARNESS CONNECTOR ASSEMBLY
WIRE DRESS OPTION 9



80 CKT HARNESS CONNECTOR ASSEMBLY
WIRE DRESS OPTION 9

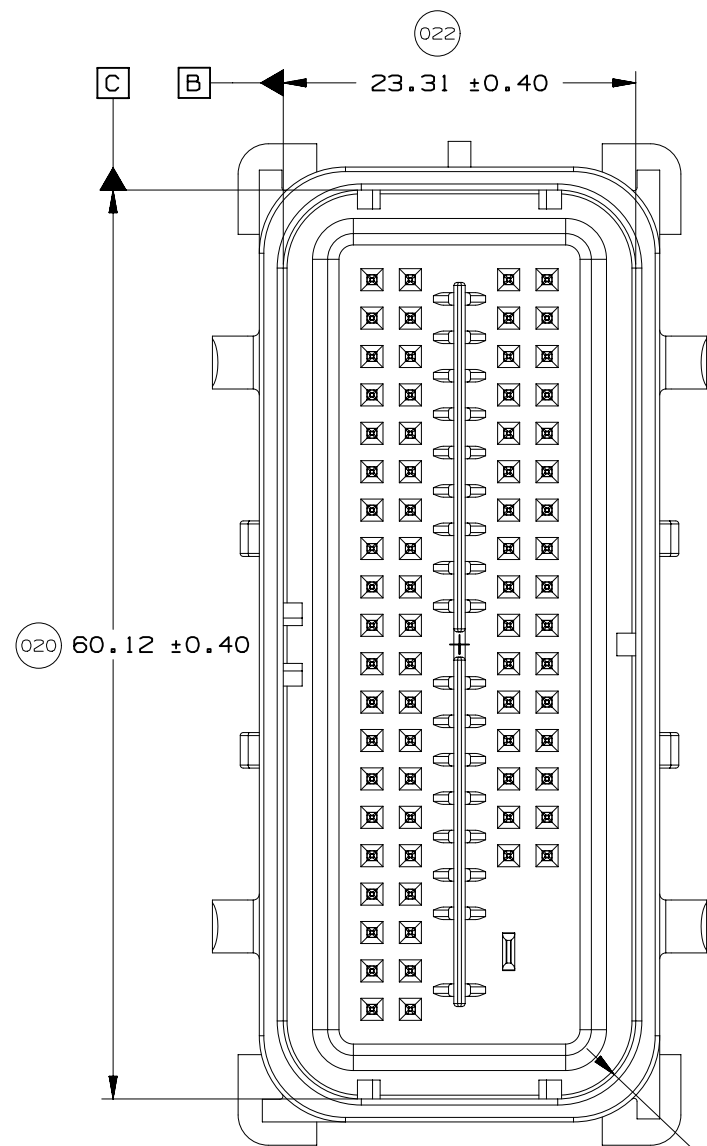
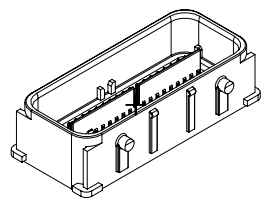


73 CKT COMPONENT CONNECTOR INTERFACE

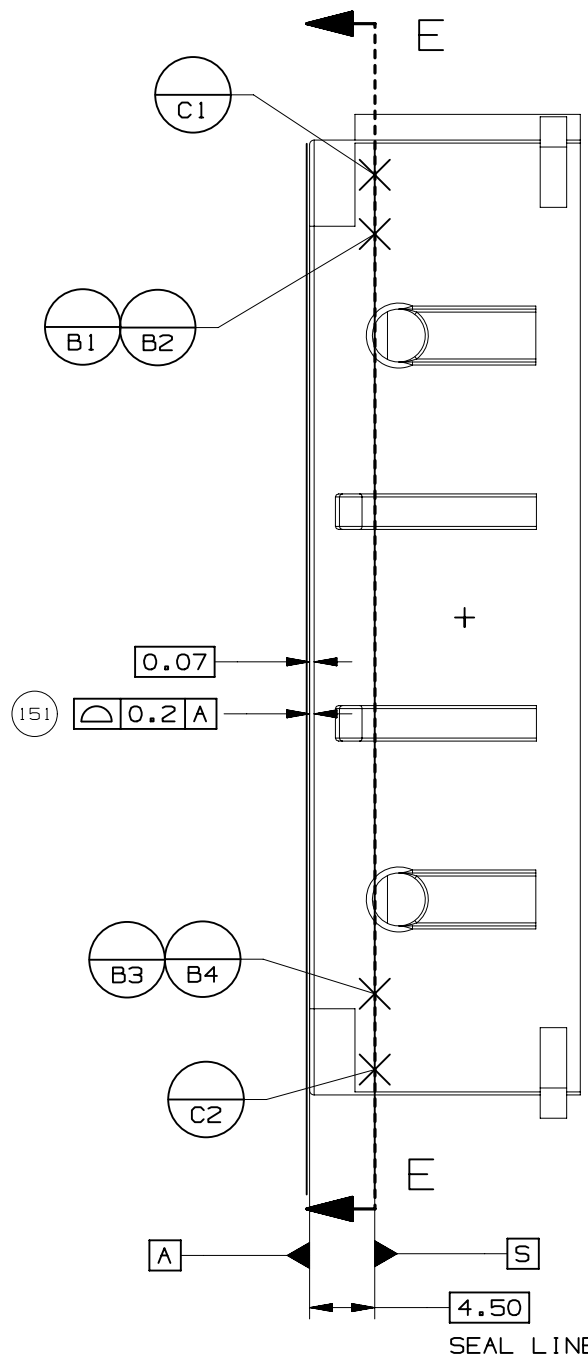


80 CKT COMPONENT CONNECTOR INTERFACE

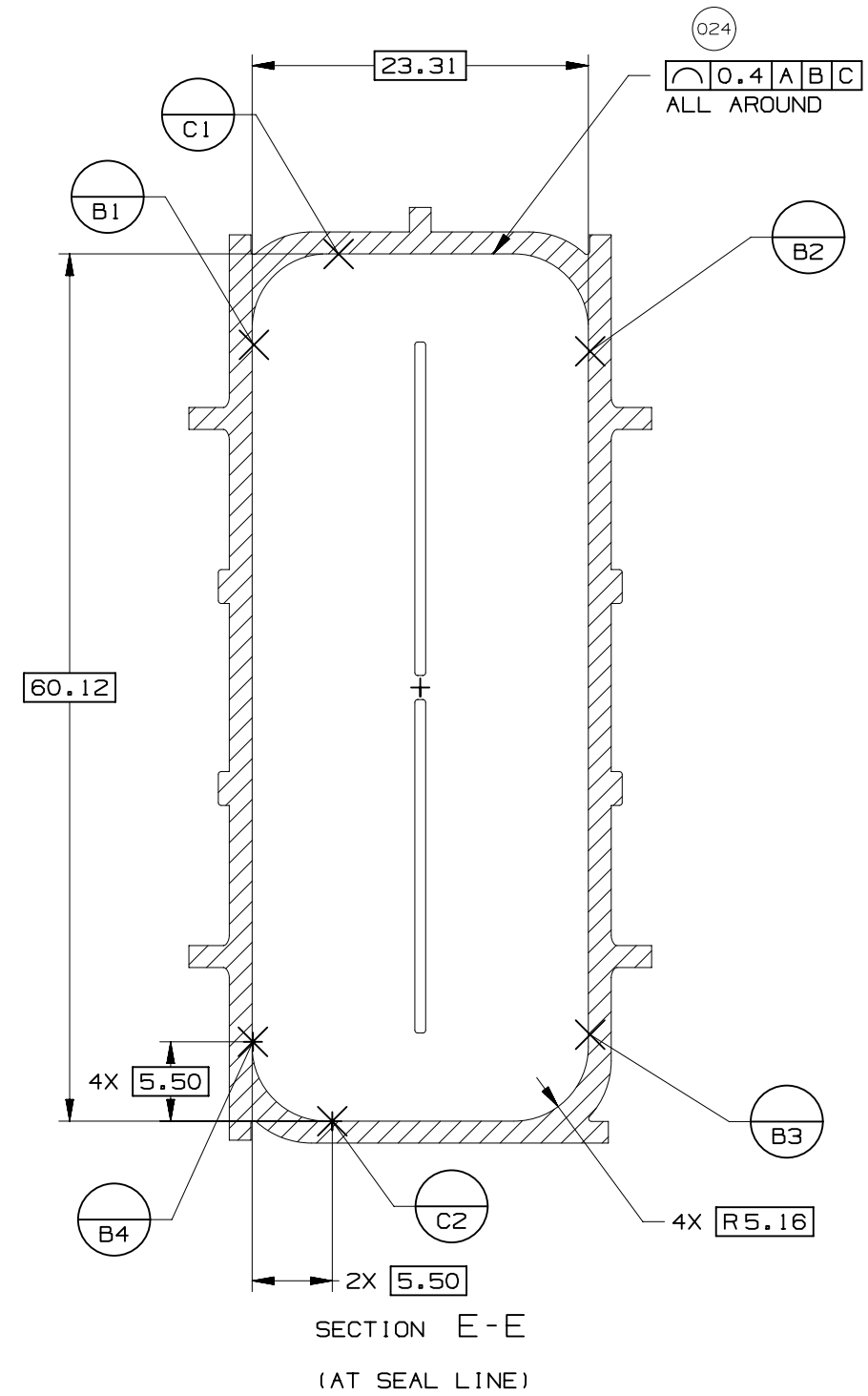




4X R5.16 ± 0.30



SEAL LINE



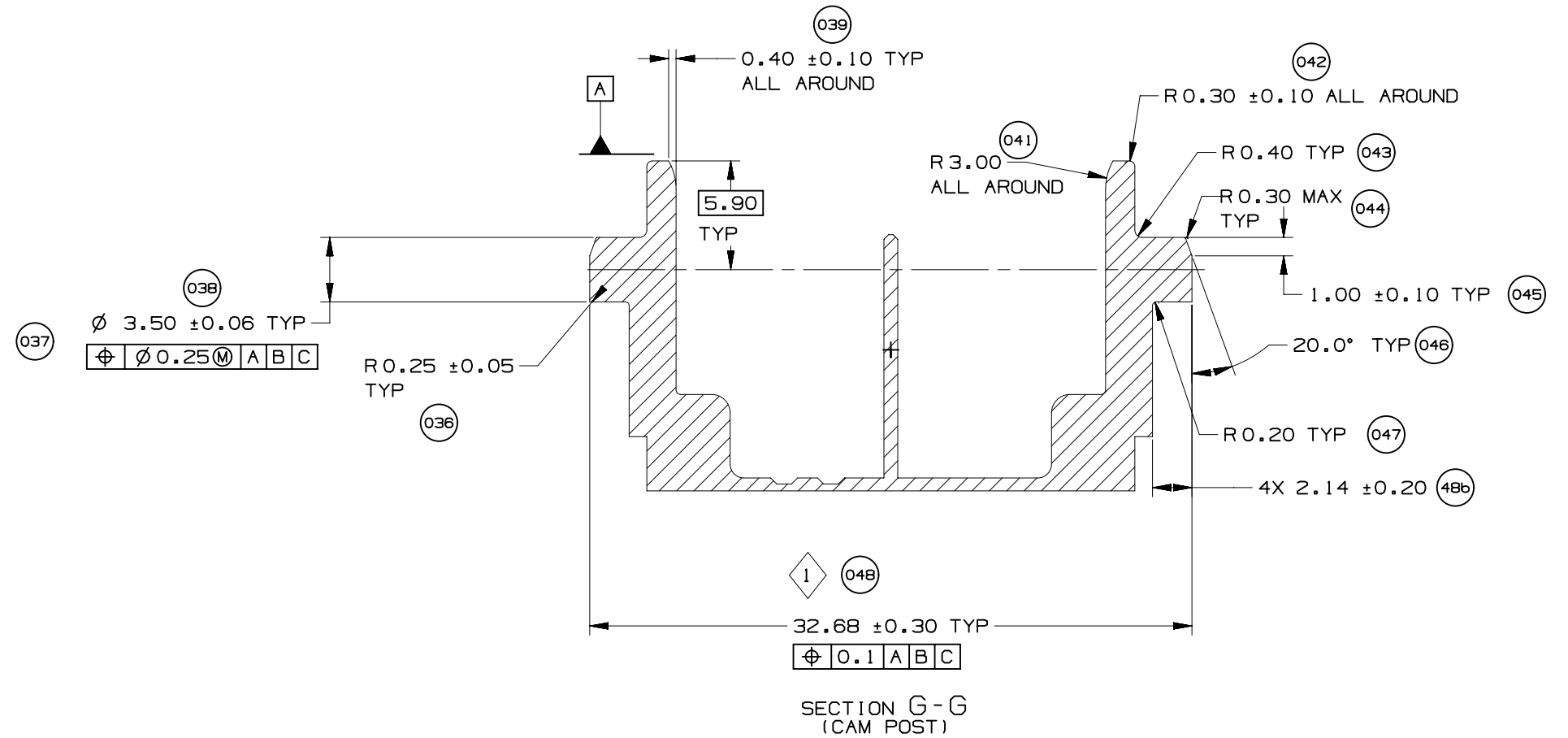
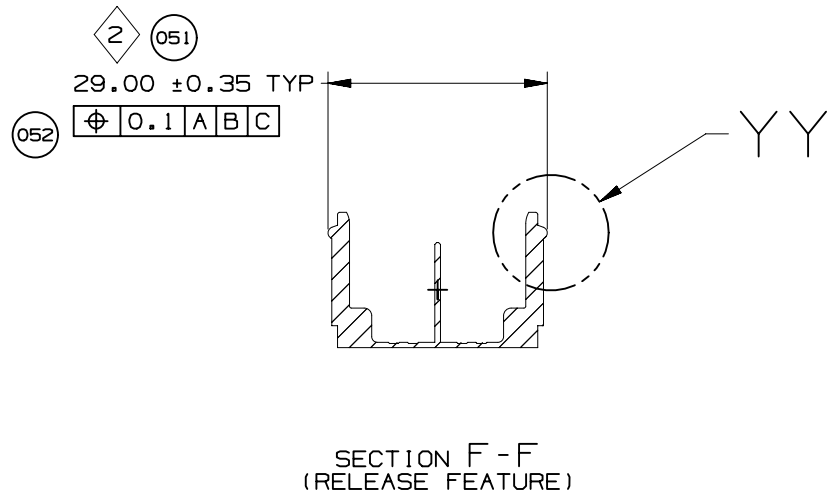
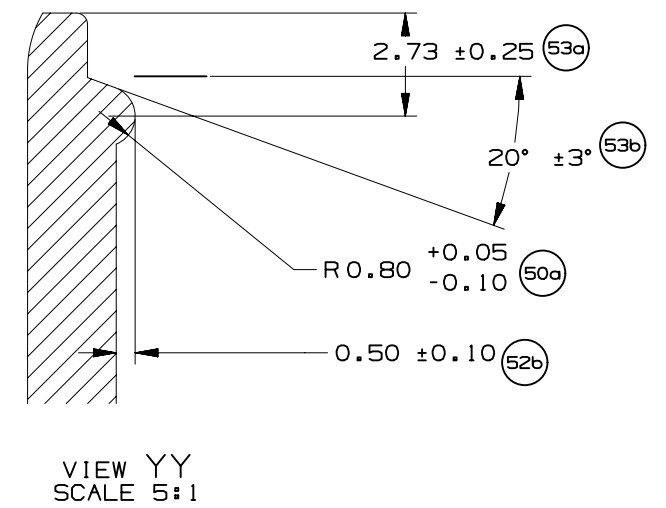
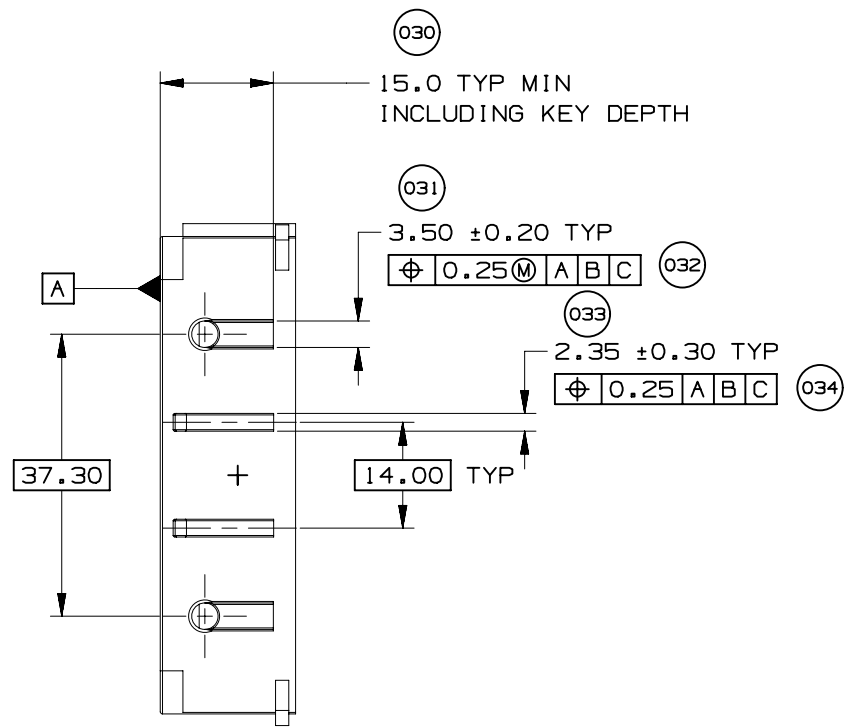
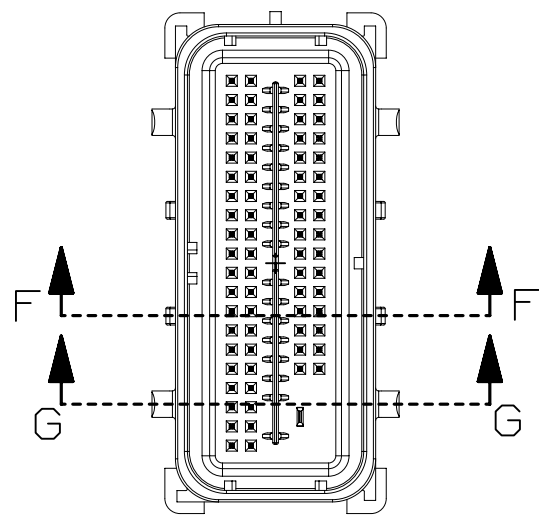
UNLESS SPECIFIED, TOLERANCE OF THE COMPONENT CONNECTOR INTERFACE TO BE $\sqrt[0.13]{A B C}$

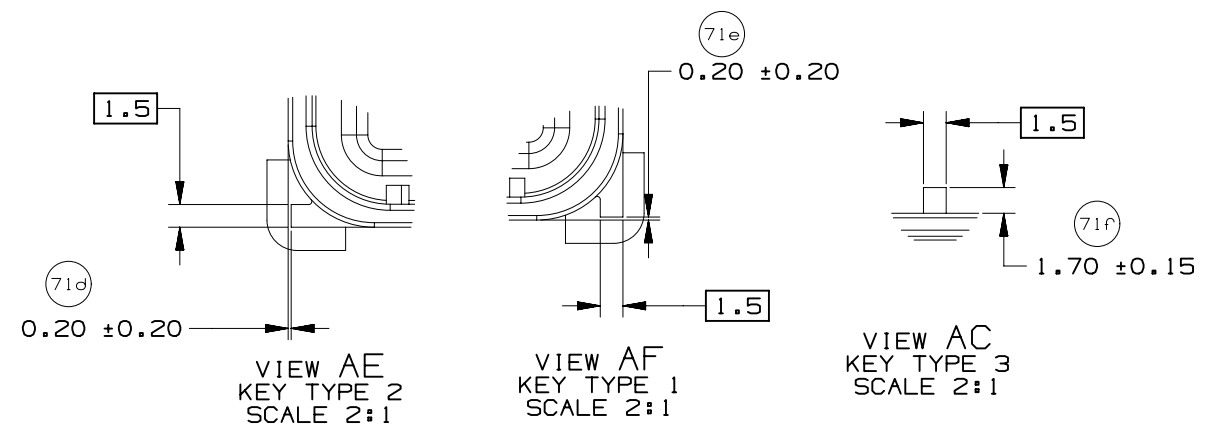
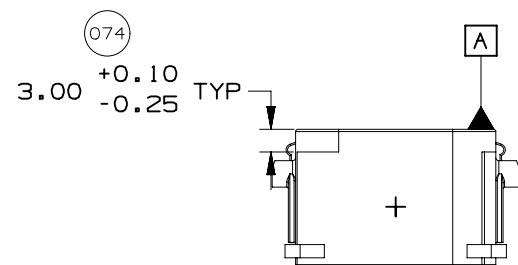
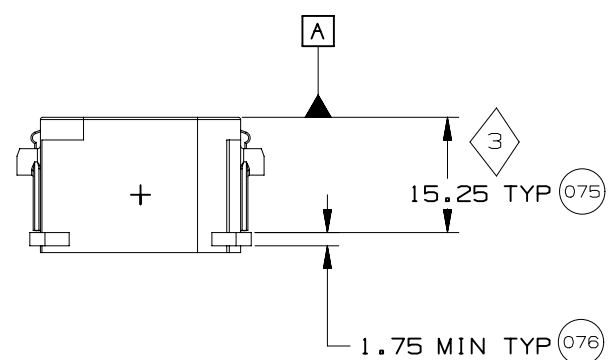
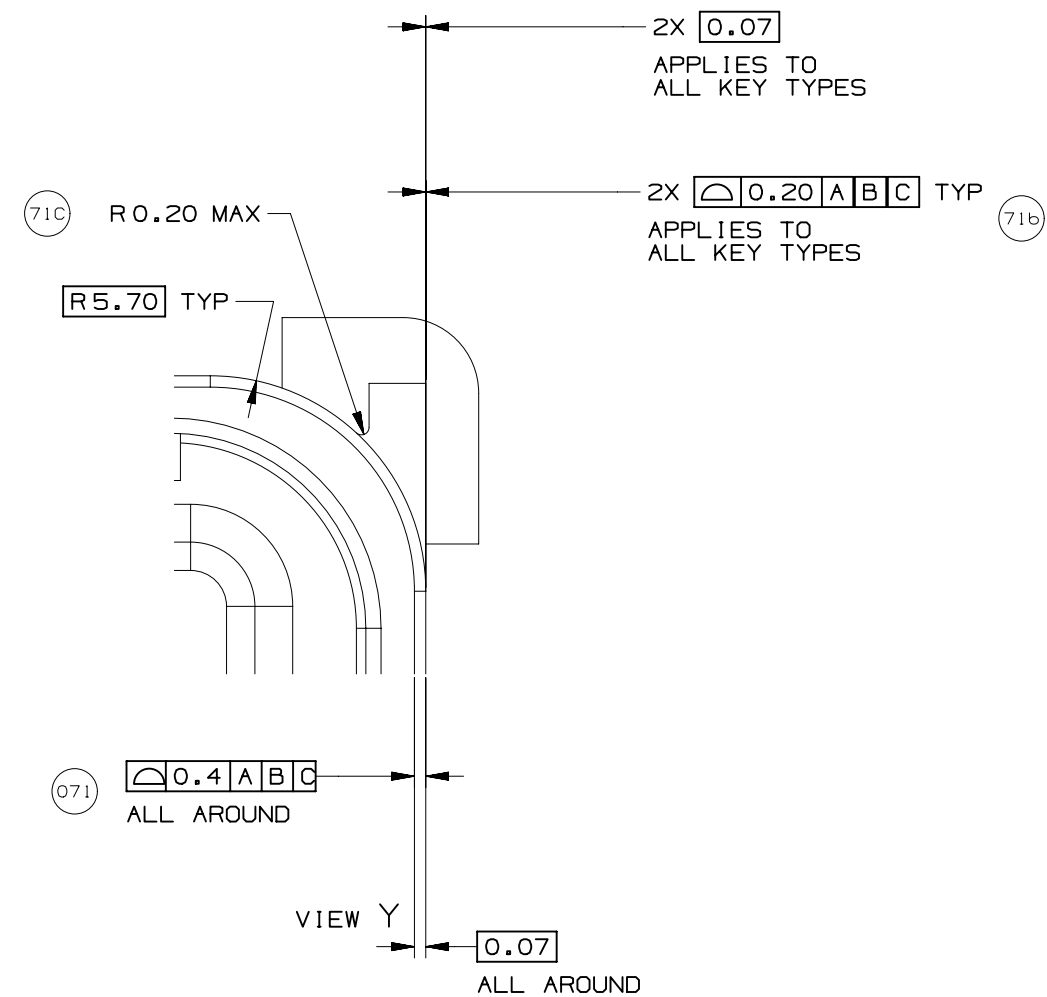
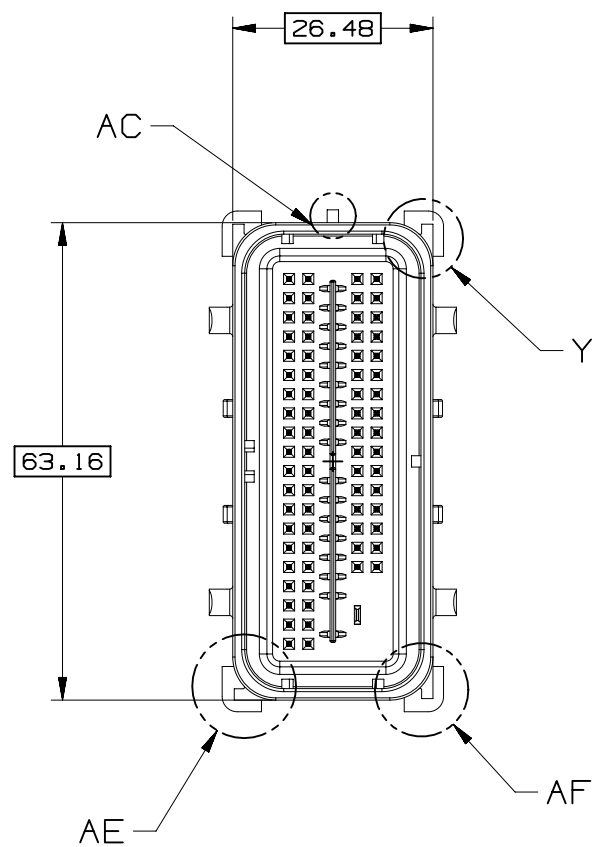
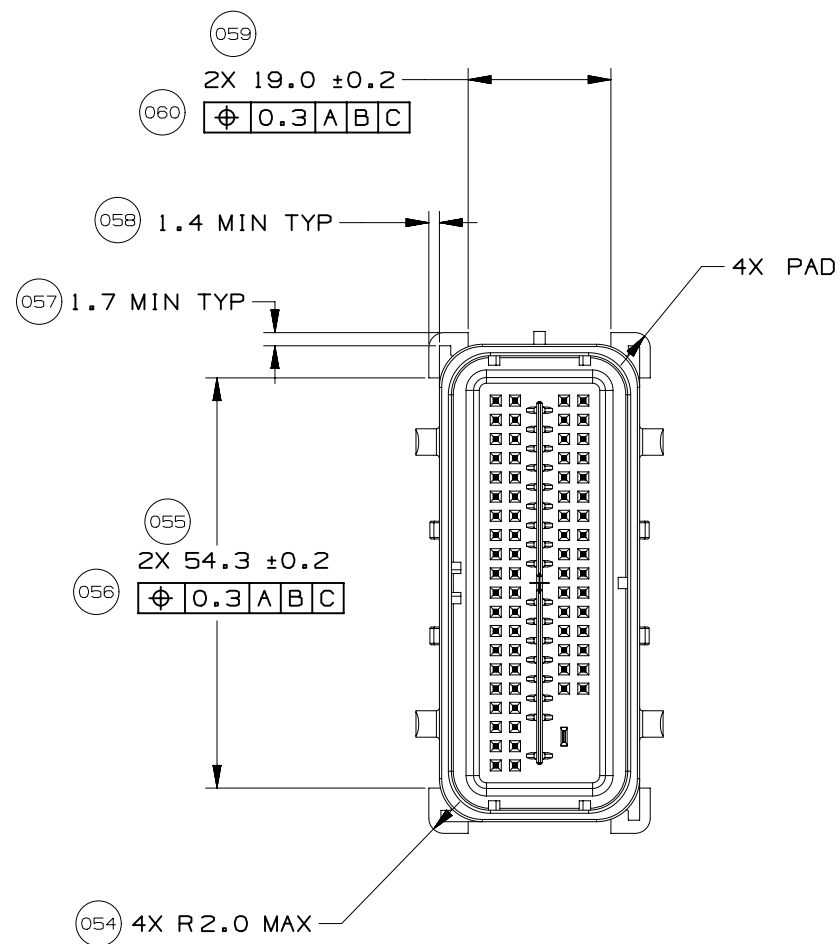


PAGE TITLE
COMPONENT CONNECTOR INTERFACE

DRAWING NUMBER
12672833

| DWG STATUS | | | PAGE NUMBER |
|------------|-----|-----|-------------|
| ST | REV | PD1 | |
| R | 001 | | 15 OF 22 |

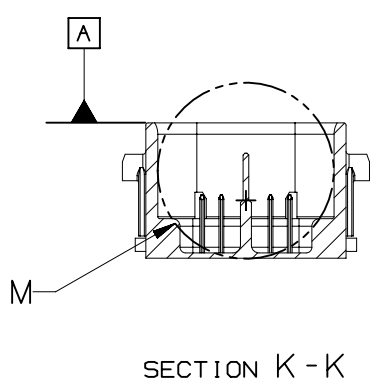
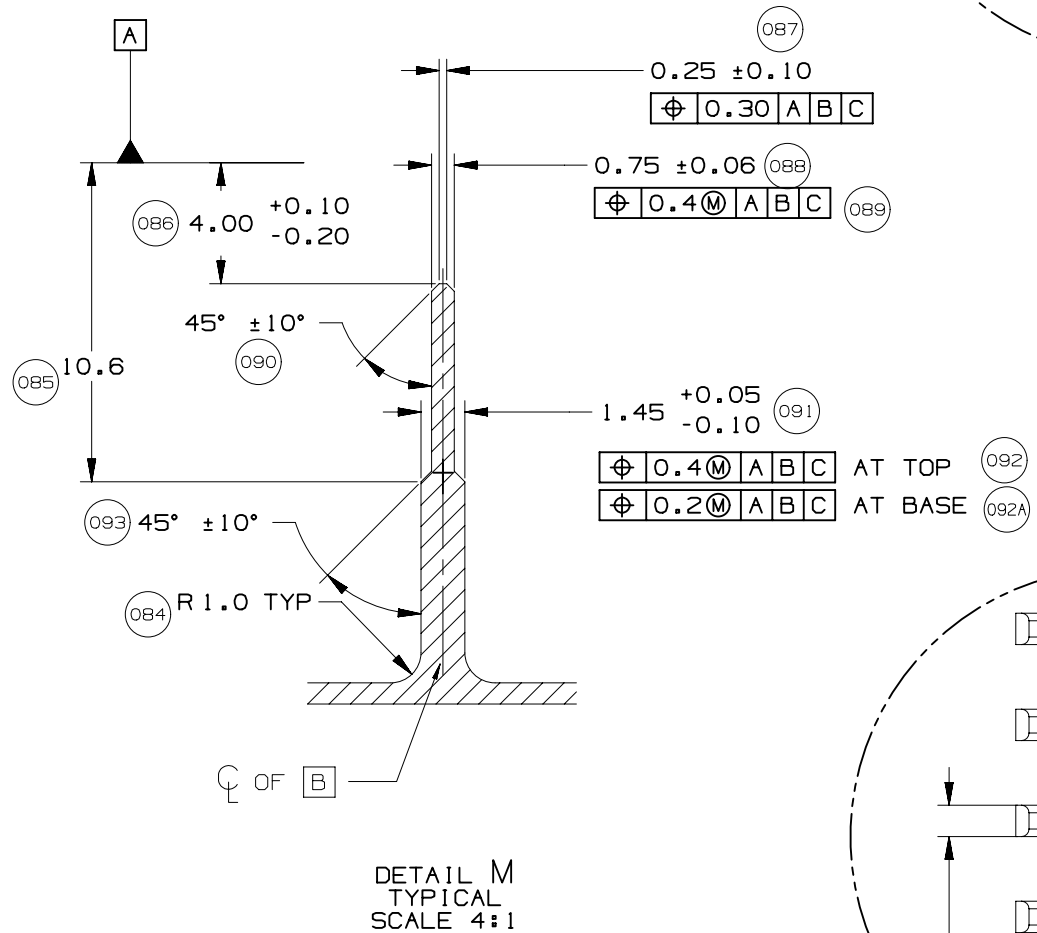
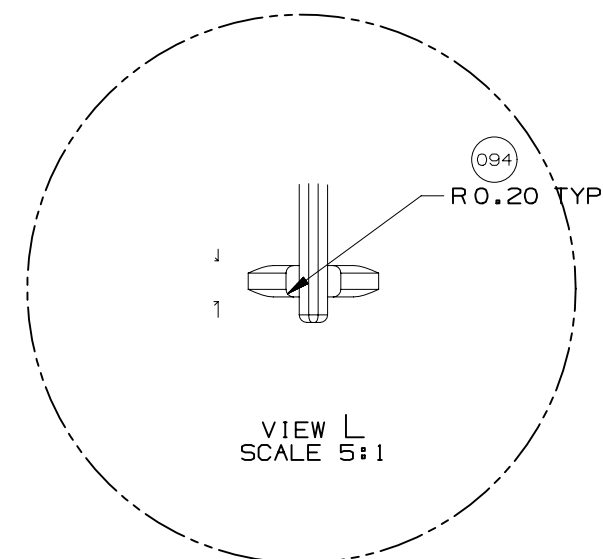
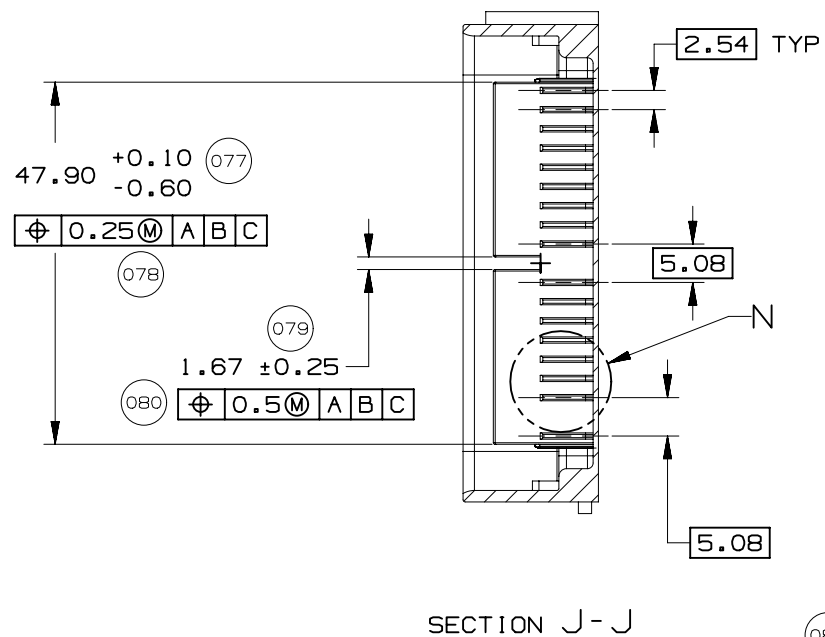
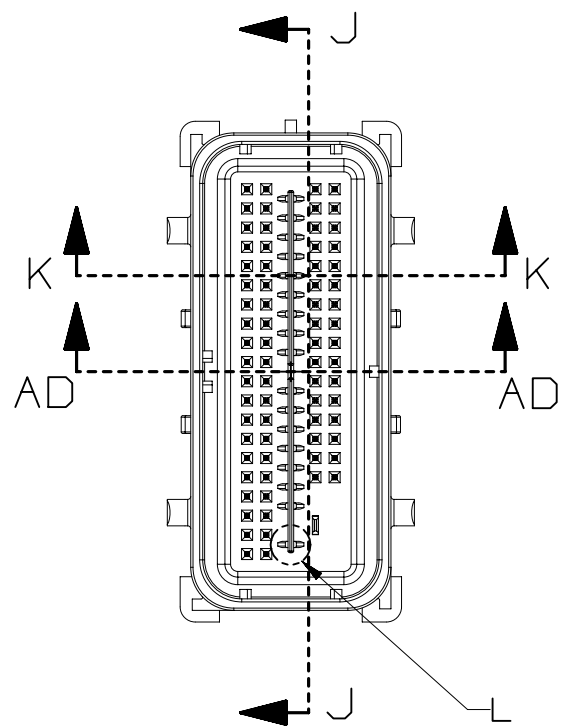




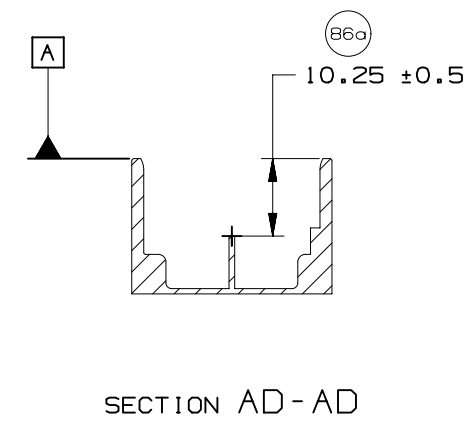
PAGE TITLE
 COMPONENT CONNECTOR INTERFACE

DRAWING NUMBER
 12672833

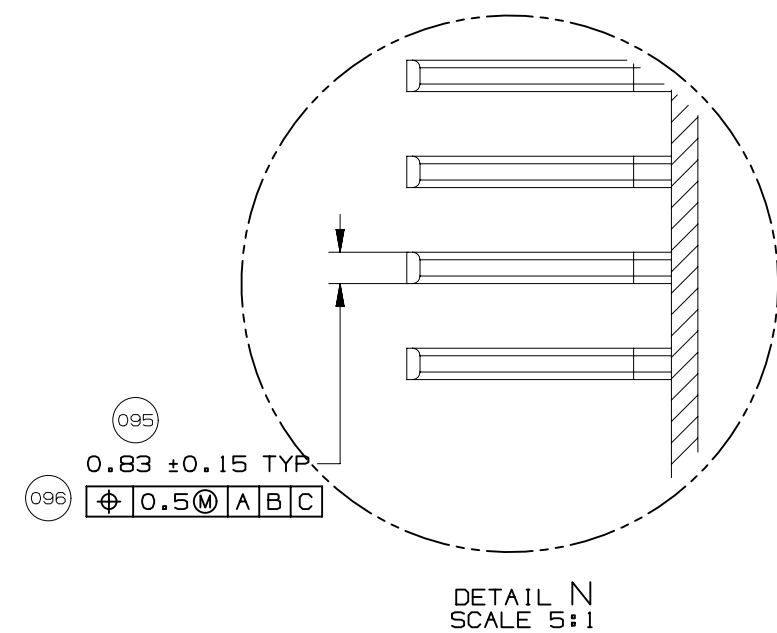
| DWG STATUS | | | PAGE NUMBER | |
|------------|-----|-----|-------------|-------|
| ST | REV | PD1 | | |
| R | 001 | | 17 | OF 22 |



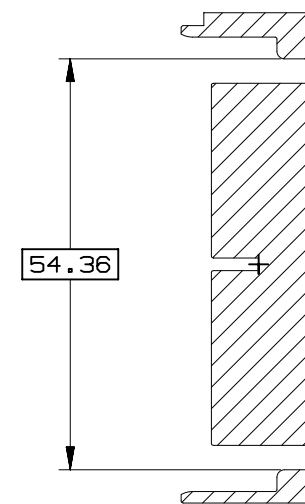
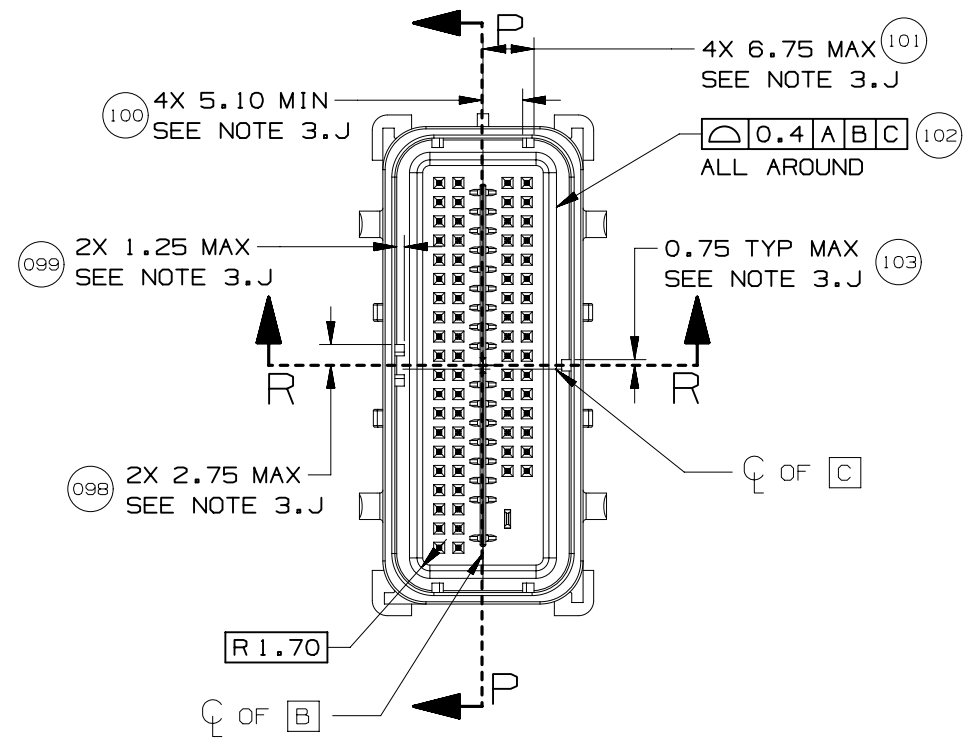
SECTION K-K



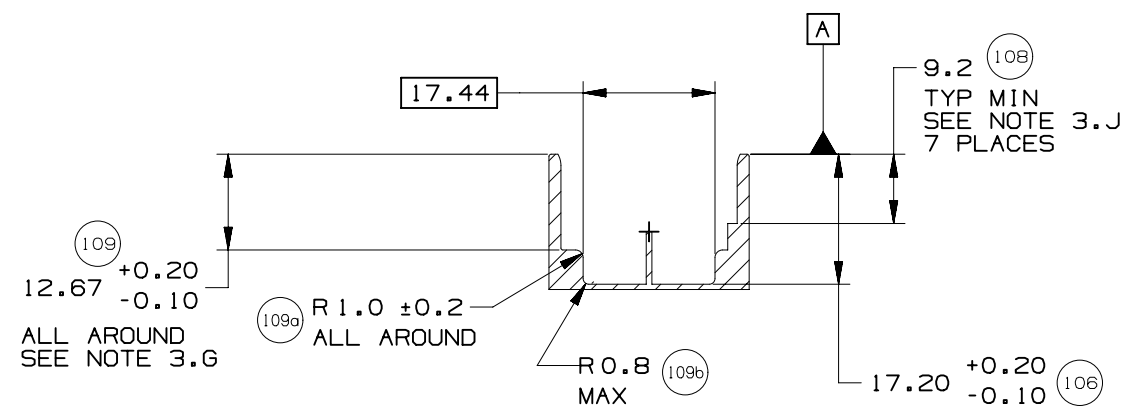
SECTION AD-AD



DETAIL N
SCALE 5:1



SECTION P-P



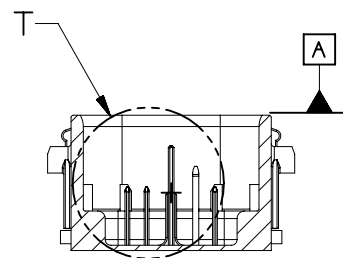
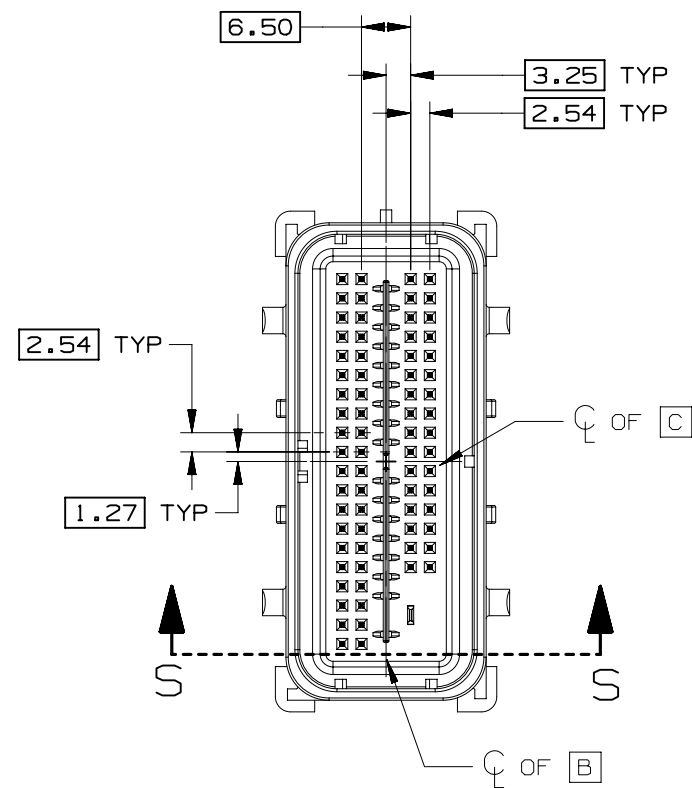
SECTION R-R



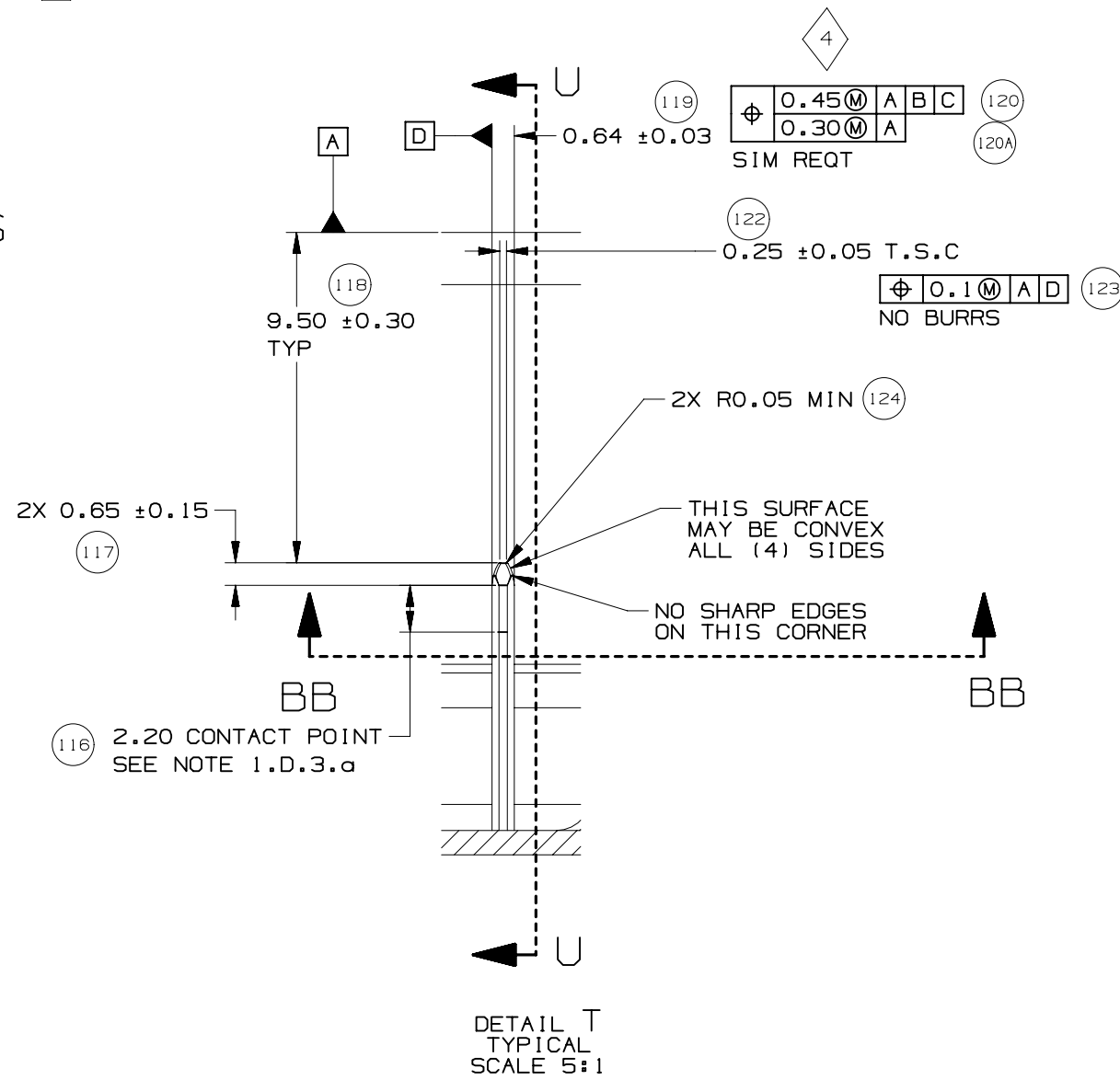
PAGE TITLE
COMPONENT CONNECTOR INTERFACE

DRAWING NUMBER
12672833

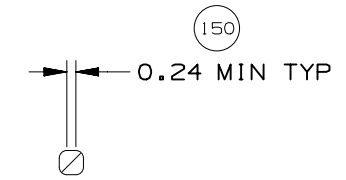
| DWG STATUS | | | PAGE NUMBER | |
|------------|-----|-----|-------------|-------|
| ST | REV | PD1 | 19 | OF 22 |
| R | 001 | | | |



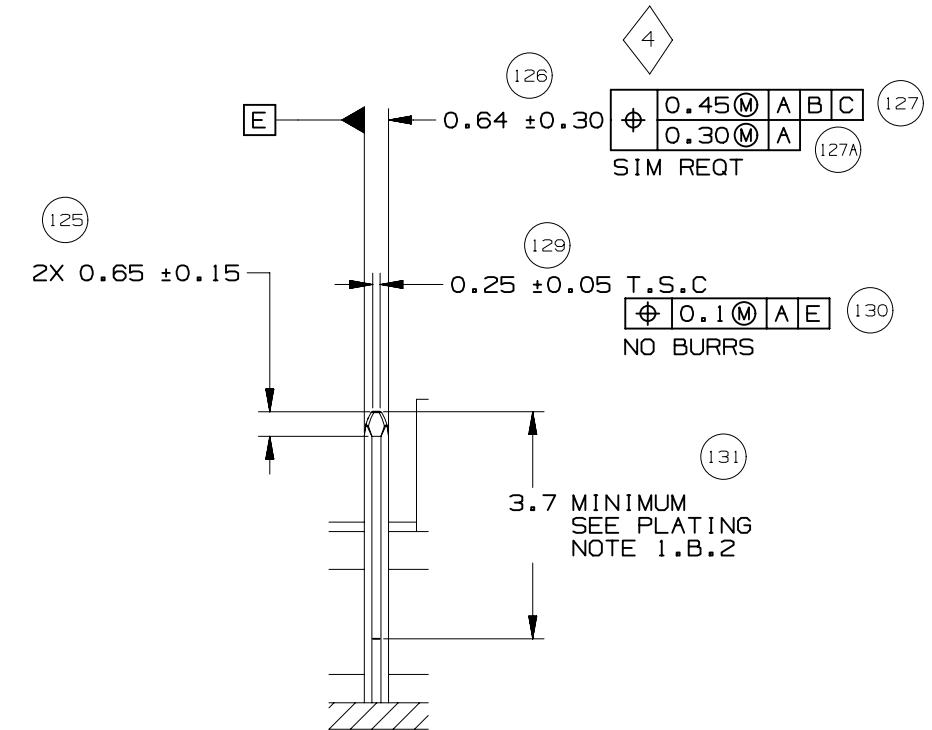
SECTION S-S



DETAIL T
TYPICAL
SCALE 5:1

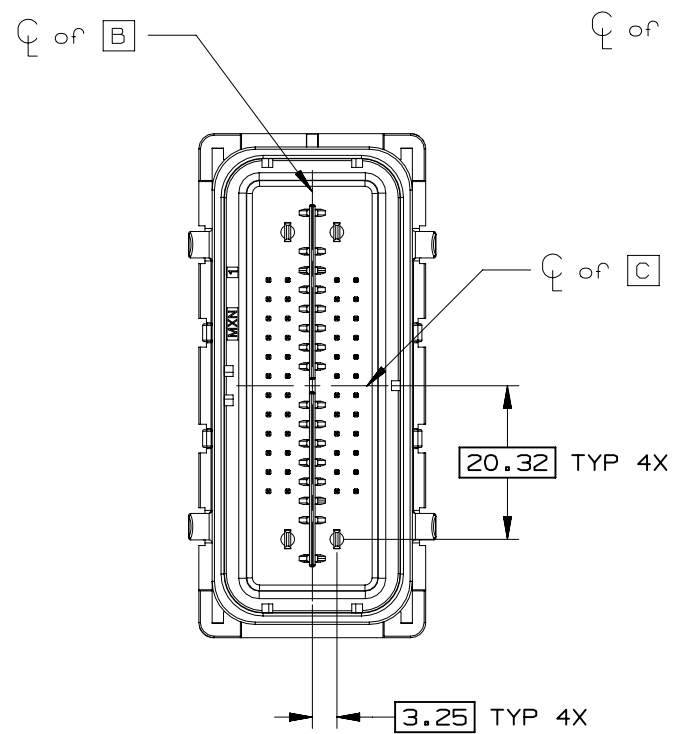


SECTION BB-BB

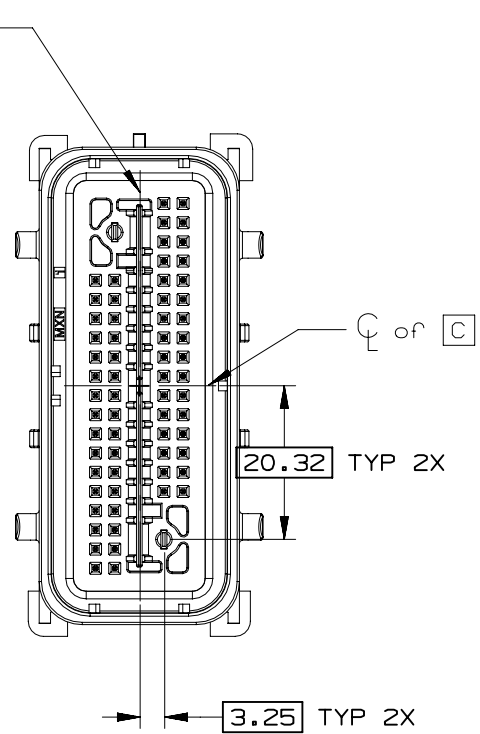


SECTION U-U
TYPICAL

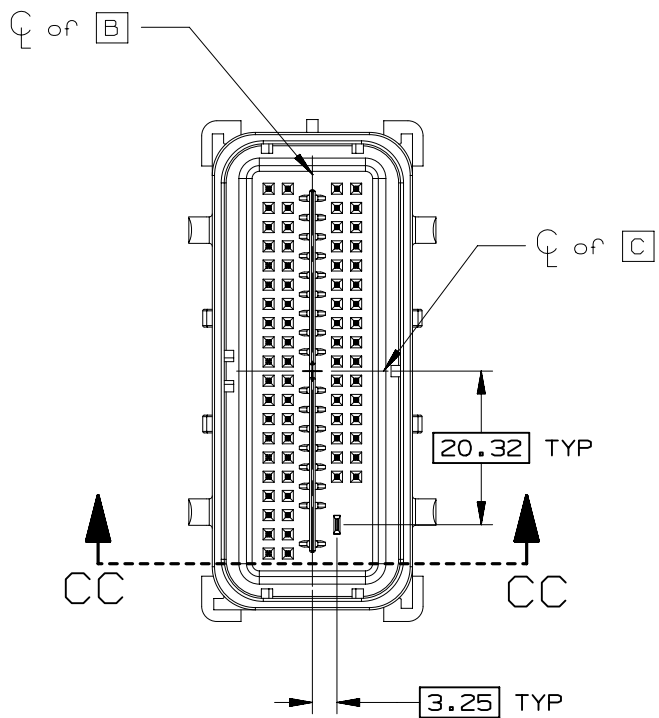




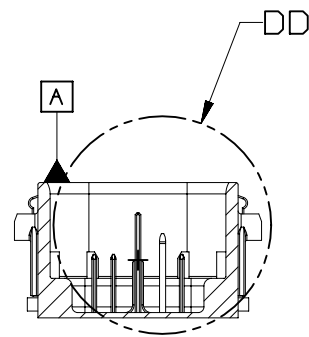
52 CKT COMPONENT
CONNECTOR INTERFACE



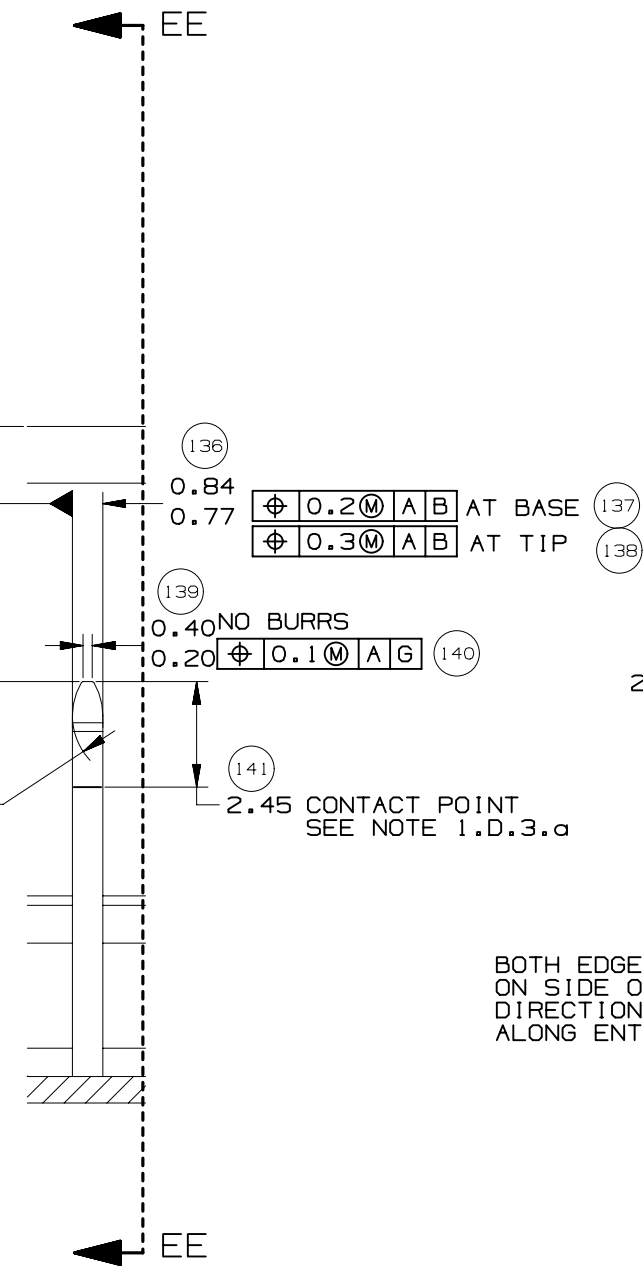
66 CKT COMPONENT
CONNECTOR INTERFACE



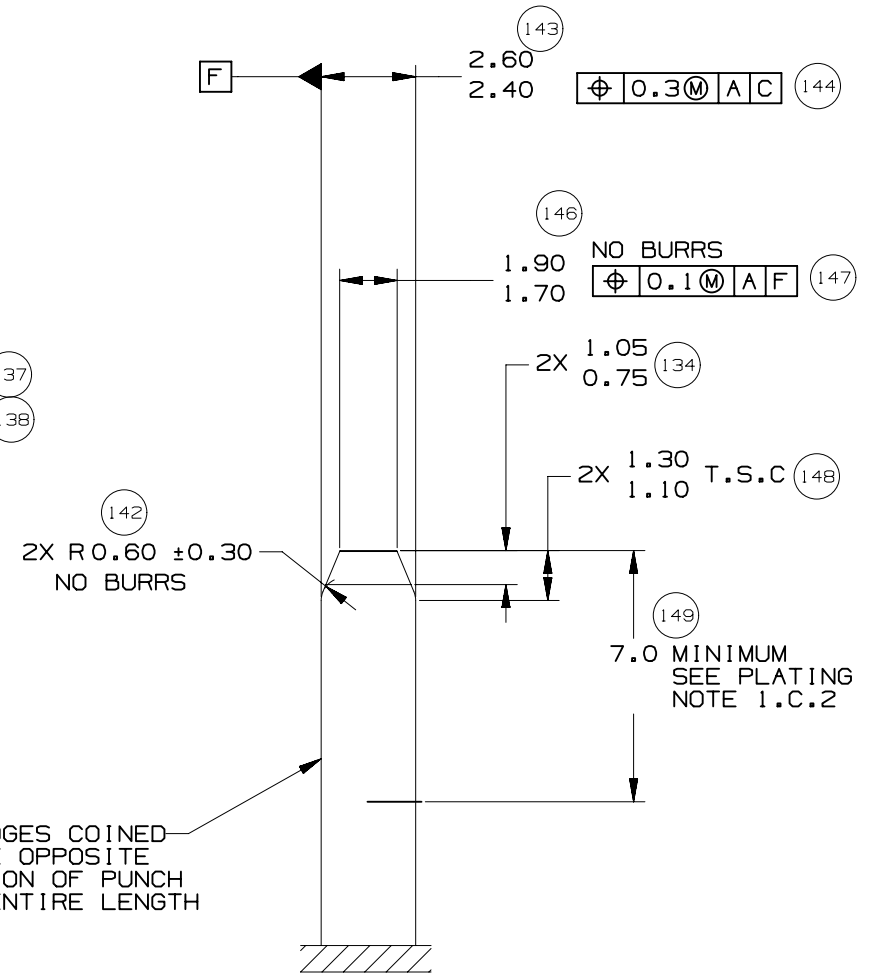
73 CKT COMPONENT
CONNECTOR INTERFACE



SECTION CC-CC



DETAIL DD
TYPICAL
SCALE 5:1

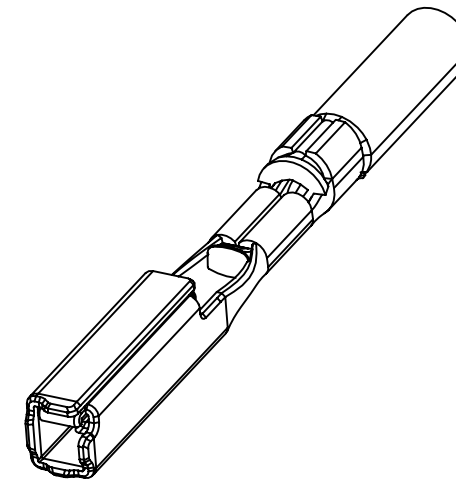
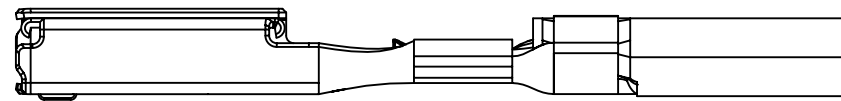
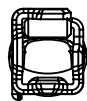


SECTION EE-EE
TYPICAL



MOLEX MX64 RECEPTACLE TERMINAL INFORMATION

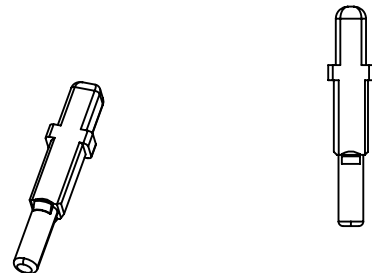
| ITEM | MOLEX P/N | GM P/N | WIRE SIZE MM2 | TYPE | PLATING | REEL WIND DIRECTION | COMMENTS |
|------|------------|----------|---------------|------|---------|---------------------|----------|
| 1 | 34736-0025 | | 0.35 | ISO | SILVER | LEFT | |
| 2 | 34736-0026 | 12672850 | 0.35 | ISO | SILVER | RIGHT | |
| 3 | 34736-0027 | | 0.5 / 0.75 | ISO | SILVER | LEFT | |
| 4 | 34736-0028 | 12672851 | 0.5 / 0.75 | ISO | SILVER | RIGHT | |



CAVITY PLUGS

| ITEM | MFG | MFG P/N | GM P/N RD | SIZE | COLOR | MFG DRAWING | PROD SPEC | APP SPEC | COMMENTS |
|------|--------|--------------|-----------|------|---------|--------------|----------------|--------------|----------|
| 1 | MOLEX | 34586-0001 | 12674820 | 0.64 | NATURAL | SD-34586-001 | PS-34566-0000 | AS-34566-001 | |
| 2 | YAZAKI | 7158-3114-90 | 12674821 | 2.8 | BLUE | 7158-3114-90 | YPES-11-04-062 | YPES-15-299 | |

ITEM 1



ITEM 2

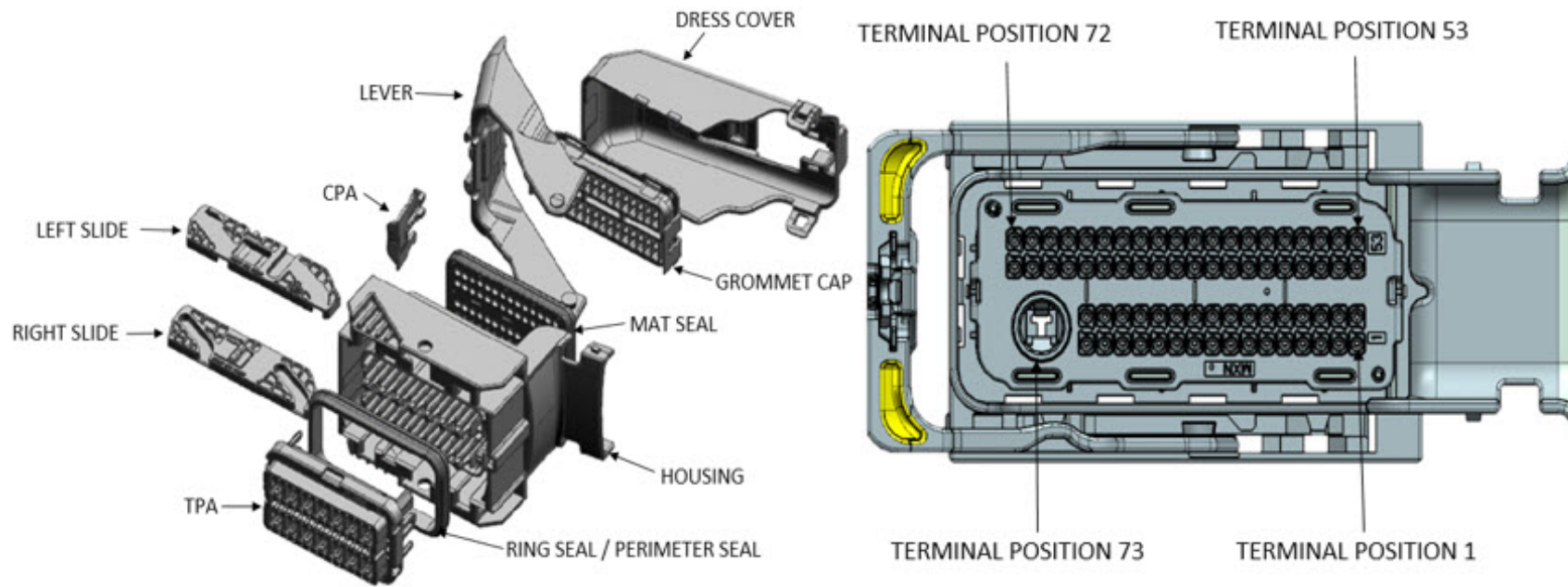


PAGE TITLE
ADDITIONAL COMPONENTS REQUIRED

DRAWING NUMBER
12672833

| DWG STATUS | | |
|------------|-----|-----|
| ST | REV | PDI |
| R | 001 | |

PAGE NUMBER
22 OF 22



| ABBREVIATION | DESCRIPTION | COLOR | MATERIAL |
|--------------|--|------------|---------------------------------------|
| G-CAP-0-P | GROMMET CAP OPTION 0 PLUGGED | BLACK | SPS/PA, G.F 30% |
| G-CAP-0-O | GROMMET CAP OPTION 0 ALL OPEN | BLACK | SPS/PA, G.F 30% |
| G-CAP-9-P | GROMMET CAP OPTION 9 PLUGGED | BLACK | SPS/PA, G.F 30% |
| G-CAP-9-O | GROMMET CAP OPTION 9 ALL OPEN | BLACK | SPS/PA, G.F 30% |
| C-HSG-A0 | CONNECTOR HOUSING KEY A - WDC OPT 0 | BLACK | SPS/PA, G.F 30% |
| C-HSG-B0 | CONNECTOR HOUSING KEY B - WDC OPT 0 | BLACK | SPS/PA, G.F 30% |
| C-HSG-C0 | CONNECTOR HOUSING KEY C - WDC OPT 0 | BLACK | SPS/PA, G.F 30% |
| C-HSG-D0 | CONNECTOR HOUSING KEY D - WDC OPT 0 | BLACK | SPS/PA, G.F 30% |
| C-HSG-E0 | CONNECTOR HOUSING KEY E - WDC OPT 0 | BLACK | SPS/PA, G.F 30% |
| C-HSG-F0 | CONNECTOR HOUSING KEY F - WDC OPT 0 | BLACK | SPS/PA, G.F 30% |
| C-HSG-A9 | CONNECTOR HOUSING KEY A - WDC OPT 9 | BLACK | SPS/PA, G.F 30% |
| C-HSG-B9 | CONNECTOR HOUSING KEY B - WDC OPT 9 | BLACK | SPS/PA, G.F 30% |
| C-HSG-C9 | CONNECTOR HOUSING KEY C - WDC OPT 9 | BLACK | SPS/PA, G.F 30% |
| C-HSG-D9 | CONNECTOR HOUSING KEY D - WDC OPT 9 | BLACK | SPS/PA, G.F 30% |
| C-HSG-E9 | CONNECTOR HOUSING KEY E - WDC OPT 9 | BLACK | SPS/PA, G.F 30% |
| C-HSG-F9 | CONNECTOR HOUSING KEY F - WDC OPT 9 | BLACK | SPS/PA, G.F 30% |
| TPA-A0 | TERMINAL POSITION ASSURANCE (TPA) OPTION 0 | BLACK | SPS/PA, G.F 30% |
| TPA-B0 | TERMINAL POSITION ASSURANCE (TPA) OPTION 0 | STONE GRAY | SPS/PA, G.F 30% |
| TPA-C0 | TERMINAL POSITION ASSURANCE (TPA) OPTION 0 | BLUE | SPS/PA, G.F 30% |
| TPA-D0 | TERMINAL POSITION ASSURANCE (TPA) OPTION 0 | BROWN | SPS/PA, G.F 30% |
| TPA-E0 | TERMINAL POSITION ASSURANCE (TPA) OPTION 0 | GREEN | SPS/PA, G.F 30% |
| TPA-F0 | TERMINAL POSITION ASSURANCE (TPA) OPTION 0 | NATURAL | SPS/PA, G.F 30% |
| TPA-A0-1 | TERMINAL POSITION ASSURANCE (TPA) OPTION 0 | BLACK | SPS/PA, G.F 30% |
| TPA-B0-1 | TERMINAL POSITION ASSURANCE (TPA) OPTION 0 | STONE GRAY | SPS/PA, G.F 30% |
| TPA-C0-1 | TERMINAL POSITION ASSURANCE (TPA) OPTION 0 | BLUE | SPS/PA, G.F 30% |
| TPA-A9 | TERMINAL POSITION ASSURANCE (TPA) OPTION 9 | BLACK | SPS/PA, G.F 30% |
| TPA-B9 | TERMINAL POSITION ASSURANCE (TPA) OPTION 9 | STONE GRAY | SPS/PA, G.F 30% |
| TPA-C9 | TERMINAL POSITION ASSURANCE (TPA) OPTION 9 | BLUE | SPS/PA, G.F 30% |
| TPA-D9 | TERMINAL POSITION ASSURANCE (TPA) OPTION 9 | BROWN | SPS/PA, G.F 30% |
| TPA-E9 | TERMINAL POSITION ASSURANCE (TPA) OPTION 9 | GREEN | SPS/PA, G.F 30% |
| TPA-F9 | TERMINAL POSITION ASSURANCE (TPA) OPTION 9 | NATURAL | SPS/PA, G.F 30% |
| MAL | MATE ASSIST LEVER | BLACK | SPS/NYLON GF30 |
| RS | SLIDE - RIGHT | BLACK | PBT W/PTFE, G.F. 30% |
| LS | SLIDE - LEFT | BLACK | PBT W/PTFE, G.F. 30% |
| CVRBLACK | DRESS COVER BLACK | BLACK | PBT, G.F. 30% |
| CVRGRAY | DRESS COVER GRAY | GRAY | PBT, G.F. 30% |
| CVRBLUE | DRESS COVER BLUE | BLUE | PBT, G.F. 30% |
| CVRBROWN | DRESS COVER BROWN | BROWN | PBT, G.F. 30% |
| CVRGREEN | DRESS COVER GREEN | GREEN | PBT, G.F. 30% |
| CVRNATURAL | DRESS COVER NATURAL | NATURAL | PBT, G.F. 30% |
| CVRYELLOW | DRESS COVER YELLOW | YELLOW | PBT, G.F. 30% |
| CPA | CONNECTOR POSITION ASSURANCE (CPA) | RED | PPE/PA 10% GF |
| MSEAL | MAT SEAL | RUST RED | INHERENTLY LUBRICATED SILICONE RUBBER |
| RSEAL | RING SEAL | RUST RED | INHERENTLY LUBRICATED SILICONE RUBBER |

FOR ADDITIONAL INFORMATION SEE SD-34566-001

| ASSEMBLY DESCRIPTION | ASSEMBLY PART NUMBER | CONNECTOR HOUSING | GROMMET CAP | TPA | RIGHT SLIDE | LEFT SLIDE | MATE ASSIST LEVER | CPA | MAT SEAL | RING SEAL | BLOCKED TERMINALS | | | | | | | | | | | | | | | | STATUS | COMMENTS | INTEGRAL COMPONENTS SOLD SEPARATELY | | | | | | | | | |
|--|----------------------|-------------------|-------------|--------|-------------|------------|-------------------|-----|----------|-----------|--|---|----|----|----|----|----|----|----|----|----|---|----|----|----|----|--------|----------|-------------------------------------|----|---|---|---|----|---|---|---|---|
| | | | | | | | | | | | CAVITY WITH A NUMBER INDICATES BLOCKED TERMINAL POSITION CAVITY WITHOUT A NUMBER INDICATES OPEN TERMINAL POSITION | | | | | | | | | | | | | | | | | | | | | | | | | | | |
| | | | | | | | | | | | DRESS COVER | | | | | | | | | | | | | | | | | | | | | | | | | | | |
| MX123 CONN ASSY 73 CKT BLK OPT0 KEY A/54 | 345660004 | C-HSG-A0 | G-CAP-0-P | TPA-A0 | RS | LS | MAL | CPA | MSEAL | RSEAL | - | - | - | - | 68 | - | 66 | 65 | - | - | 62 | - | - | - | 58 | - | - | - | - | - | | | | | | | | |
| | | | | | | | | | | | - | - | 50 | 49 | - | 47 | 46 | - | - | 42 | - | - | - | - | - | - | - | - | - | - | - | - | - | - | - | - | - | - |
| | | | | | | | | | | | - | - | - | - | - | - | - | - | 28 | - | - | - | 24 | 23 | - | 21 | 20 | - | - | 17 | - | - | - | - | - | - | - | - |
| | | | | | | | | | | | - | - | - | - | - | - | - | - | - | - | - | - | - | - | - | - | 4 | 3 | - | - | - | - | - | - | - | - | - | - |
| MX123 CONN ASSY 73 CKT BLK OPT0 KEY A/52 | 345660044 | C-HSG-A0 | G-CAP-0-P | TPA-A0 | RS | LS | MAL | CPA | MSEAL | RSEAL | - | - | - | - | 68 | - | 66 | 65 | - | 63 | 62 | - | - | - | 58 | - | - | - | - | - | | | | | | | | |
| | | | | | | | | | | | - | - | 50 | 49 | - | 47 | 46 | - | - | 42 | - | - | - | - | - | - | - | - | - | - | - | - | - | - | - | - | | |
| | | | | | | | | | | | - | - | - | - | - | - | - | - | 28 | - | - | - | 24 | 23 | - | 21 | 20 | - | - | 17 | - | - | - | - | - | - | - | |
| | | | | | | | | | | | - | - | - | - | - | - | - | - | - | - | - | - | - | - | - | - | 4 | - | - | 1 | - | - | - | - | - | - | - | - |
| MX123 CONN ASSY 73 CKT BLK OPT0 KEY A/53 | 345660064 | C-HSG-A0 | G-CAP-0-P | TPA-A0 | RS | LS | MAL | CPA | MSEAL | RSEAL | - | - | - | - | 68 | - | 66 | 65 | - | - | 62 | - | - | - | 58 | - | - | - | - | - | | | | | | | | |
| | | | | | | | | | | | - | - | 50 | 49 | - | 47 | 46 | - | - | 42 | - | - | - | - | - | - | - | - | - | - | - | - | - | 33 | - | - | | |
| | | | | | | | | | | | - | - | - | - | - | - | - | - | 28 | - | - | - | 24 | 23 | - | 21 | 20 | - | - | 17 | - | - | - | - | - | - | - | - |
| | | | | | | | | | | | - | - | - | - | - | - | - | - | - | - | - | - | - | - | - | - | 4 | 3 | - | - | - | - | - | - | - | - | - | - |

| ASSEMBLY DESCRIPTION | ASSEMBLY PART NUMBER | CONNECTOR HOUSING | GROMMET CAP | TPA | RIGHT SLIDE | LEFT SLIDE | MATE ASSIST LEVER | CPA | MAT SEAL | RING SEAL | BLOCKED TERMINALS | | | | | | | | | | | | | | | | | | STATUS | COMMENTS | INTEGRAL COMPONENTS SOLD SEPARATELY | | | | |
|--|----------------------|-------------------|-------------|--------|-------------|------------|-------------------|-----|----------|-----------|--|----|----|----|----|----|----|----|----|----|----|----|----|----|----|----|----|----|--------|----------|-------------------------------------|----|----|----|----|
| | | | | | | | | | | | CAVITY WITH A NUMBER INDICATES BLOCKED TERMINAL POSITION CAVITY WITHOUT A NUMBER INDICATES OPEN TERMINAL POSITION | | | | | | | | | | | | | | | | | | | | DRESS COVER | | | | |
| | | | | | | | | | | | | | | | | | | | | | | | | | | | | | | | | | | | |
| MX123 CONN ASSY 73 CKT BLK OPT0 KEY A/48 | 345660084 | C-HSG-A0 | G-CAP-0-P | TPA-A0 | RS | LS | MAL | CPA | MSEAL | RSEAL | 72 | 71 | - | - | 68 | - | 66 | 65 | - | 63 | 62 | - | - | - | 58 | - | - | - | - | - | | | | | |
| | | | | | | | | | | | - | - | 50 | 49 | - | 47 | 46 | - | - | 43 | 42 | - | - | - | - | - | - | - | - | - | - | - | - | - | - |
| | | | | | | | | | | | | | | | | | | | | | | 32 | - | - | - | 28 | - | - | - | 24 | 23 | - | 21 | 20 | - |
| MX123 CONN ASSY 73 CKT GRY OPT0 KEY B/61 | 345660094 | C-HSG-B0 | G-CAP-0-P | TPA-B0 | RS | LS | MAL | CPA | MSEAL | RSEAL | - | - | - | - | - | - | 66 | - | - | - | - | - | - | - | 58 | - | - | - | - | - | | | | | |
| | | | | | | | | | | | - | - | - | - | - | - | - | - | - | - | - | - | 41 | - | - | 38 | 37 | - | - | - | - | - | - | - | - |
| | | | | | | | | | | | | | | | | | | | | | | - | - | - | - | - | - | - | - | - | - | - | 20 | 19 | 18 |
| MX123 CONN ASSY 73 CKT BLK OPT0 KEY A/73 | 345660103 | C-HSG-A0 | G-CAP-0-P | TPA-A0 | RS | LS | MAL | CPA | MSEAL | RSEAL | - | - | - | - | - | - | - | - | - | - | - | - | - | - | - | - | - | - | | | | | | | |
| | | | | | | | | | | | - | - | - | - | - | - | - | - | - | - | - | - | - | - | - | - | - | - | - | - | - | - | - | - | |
| | | | | | | | | | | | | | | | | | | | | | | - | - | - | - | - | - | - | - | - | - | - | - | - | - |
| MX123 CONN ASSY 73 CKT GRY OPT0 KEY B/58 | 345660104 | C-HSG-B0 | G-CAP-0-P | TPA-B0 | RS | LS | MAL | CPA | MSEAL | RSEAL | - | - | - | - | - | - | 66 | - | - | - | - | - | - | - | 58 | - | - | - | - | - | | | | | |
| | | | | | | | | | | | 52 | 51 | - | - | - | - | - | 45 | - | - | - | 41 | - | - | 38 | 37 | - | - | - | - | - | - | - | - | |
| | | | | | | | | | | | | | | | | | | | | | | - | - | - | - | - | - | - | - | - | - | - | 20 | 19 | 18 |
| MX123 CONN ASSY 73 CKT GRY OPT0 KEY B/46 | 345660114 | C-HSG-B0 | G-CAP-0-P | TPA-B0 | RS | LS | MAL | CPA | MSEAL | RSEAL | - | - | - | - | 68 | 67 | 66 | 65 | - | - | 62 | - | 60 | 59 | - | - | - | - | 54 | 53 | | | | | |
| | | | | | | | | | | | - | - | - | - | 48 | 47 | 46 | 45 | 44 | - | 42 | 41 | 40 | 39 | - | - | - | - | 35 | 34 | - | - | - | - | |
| | | | | | | | | | | | | | | | | | | | | | | - | 31 | - | - | - | 27 | - | - | - | - | - | - | - | 19 |
| MX123 CONN ASSY 73 CKT GRY OPT0 KEY B/26 | 345660124 | C-HSG-B0 | G-CAP-0-P | TPA-B0 | RS | LS | MAL | CPA | MSEAL | RSEAL | - | 71 | 70 | 69 | 68 | 67 | 66 | 65 | 64 | 63 | - | - | - | - | 58 | 57 | 56 | - | 54 | 53 | | | | | |
| | | | | | | | | | | | - | 51 | 50 | 49 | - | - | - | 45 | 44 | 43 | 42 | 41 | - | 39 | 38 | 37 | 36 | 35 | 34 | - | - | - | - | - | |
| | | | | | | | | | | | | | | | | | | | | | | 32 | 31 | - | 29 | 28 | 27 | 26 | 25 | 24 | 23 | - | - | - | - |
| MX123 CONN ASSY 73 CKT GRY OPT0 KEY B/30 | 345660134 | C-HSG-B0 | G-CAP-0-P | TPA-B0 | RS | LS | MAL | CPA | MSEAL | RSEAL | - | 71 | 70 | 69 | 68 | 67 | 66 | 65 | 64 | 63 | - | - | - | - | 58 | 57 | 56 | - | 54 | 53 | | | | | |
| | | | | | | | | | | | - | 51 | 50 | 49 | - | - | - | 45 | 44 | 43 | 42 | - | - | 39 | - | - | - | - | 34 | 33 | - | - | - | - | |
| | | | | | | | | | | | | | | | | | | | | | | 32 | 31 | - | 29 | 28 | 27 | 26 | 25 | 24 | 23 | - | - | - | - |
| MX123 CONN ASSY 73 CKT GRY OPT9 KEY B/14 | 345660144 | C-HSG-B9 | G-CAP-9-P | TPA-B9 | RS | LS | MAL | CPA | MSEAL | RSEAL | 72 | 71 | 70 | 69 | 68 | 67 | - | 65 | 64 | 63 | 62 | 61 | 60 | 59 | - | 57 | 56 | 55 | 54 | 53 | | | | | |
| | | | | | | | | | | | 52 | 51 | 50 | 49 | 48 | 47 | 46 | 45 | 44 | 43 | 42 | - | 40 | 39 | - | - | 36 | 35 | 34 | 33 | - | - | - | - | |
| | | | | | | | | | | | | | | | | | | | | | | 32 | 31 | 30 | 29 | 28 | 27 | 26 | 25 | 24 | 23 | 22 | 21 | - | - |
| MX123 CONN ASSY 73 CKT GRY OPT9 KEY B/62 | 345660154 | C-HSG-B9 | G-CAP-9-P | TPA-B9 | RS | LS | MAL | CPA | MSEAL | RSEAL | - | - | - | - | - | - | - | - | - | - | - | - | - | - | 58 | - | - | - | - | - | | | | | |
| | | | | | | | | | | | - | - | - | - | - | - | - | - | - | - | - | - | 41 | - | - | 38 | 37 | - | - | - | - | - | - | - | |
| | | | | | | | | | | | | | | | | | | | | | | - | - | - | - | - | - | - | - | - | - | - | 20 | 19 | 18 |
| MX123 CONN ASSY 73 CKT GRY OPT9 KEY B/34 | 345660174 | C-HSG-B9 | G-CAP-9-P | TPA-B9 | RS | LS | MAL | CPA | MSEAL | RSEAL | - | - | - | 69 | 68 | - | - | 65 | 64 | 63 | 62 | 61 | - | 59 | 58 | - | 56 | 55 | 54 | - | | | | | |
| | | | | | | | | | | | - | - | - | 49 | 48 | - | - | 45 | 44 | 43 | 42 | 41 | 40 | - | 38 | - | 36 | - | 34 | - | - | - | - | | |
| | | | | | | | | | | | | | | | | | | | | | | 32 | 31 | - | - | - | 27 | 26 | - | - | - | - | 21 | - | - |
| MX123 CONN ASSY 73 CKT GRY OPT9 KEY B/52 | 345660184 | C-HSG-B9 | G-CAP-9-P | TPA-B9 | RS | LS | MAL | CPA | MSEAL | RSEAL | - | - | - | - | - | - | - | - | - | - | 62 | - | 60 | 59 | - | - | - | - | - | | | | | | |
| | | | | | | | | | | | - | - | - | - | - | - | - | - | - | - | - | - | - | 39 | 38 | - | - | 35 | 34 | 33 | - | - | - | - | |
| | | | | | | | | | | | | | | | | | | | | | | - | 31 | - | - | - | 27 | - | - | - | 23 | 22 | - | 20 | 19 |
| MX123 CONN ASSY 73 CKT BLU OPT0 KEY C/40 | 345660194 | C-HSG-C0 | G-CAP-0-P | TPA-C0 | RS | LS | MAL | CPA | MSEAL | RSEAL | - | - | - | - | 68 | - | - | - | - | 63 | 62 | 61 | 60 | 59 | 58 | 57 | - | 55 | 54 | 53 | | | | | |
| | | | | | | | | | | | - | - | - | - | 48 | - | - | - | - | 43 | 42 | 41 | 40 | - | 38 | 37 | 36 | 35 | 34 | 33 | - | - | - | - | |
| | | | | | | | | | | | | | | | | | | | | | | 32 | - | - | 29 | - | 27 | - | - | - | - | - | - | - | 19 |

| ASSEMBLY DESCRIPTION | ASSEMBLY PART NUMBER | CONNECTOR HOUSING | GROMMET CAP | TPA | RIGHT SLIDE | LEFT SLIDE | MATE ASSIST LEVER | CPA | MAT SEAL | RING SEAL | BLOCKED TERMINALS | | | | | | | | | | | | | | | | | | | STATUS | COMMENTS | INTEGRAL COMPONENTS SOLD SEPARATELY | | | | | | | | | | | | | | | |
|--|----------------------|-------------------|-------------|--------|-------------|------------|-------------------|-----|----------|-----------|--|----|----|----|----|----|----|----|----|----|----|----|----|----|----|----|----|----|----|--------|----------|-------------------------------------|-----------|----|----------|---|-----------|----------|---|-----------|---|---|---|---|---|---|---|
| | | | | | | | | | | | CAVITY WITH A NUMBER INDICATES BLOCKED TERMINAL POSITION | | | | | | | | | | | | | | | | | | | | | DRESS COVER | | | | | | | | | | | | | | | |
| | | | | | | | | | | | CAVITY WITHOUT A NUMBER INDICATES OPEN TERMINAL POSITION | | | | | | | | | | | | | | | | | | | | | | | | | | | | | | | | | | | | |
| MX123 CONN ASSY 73 CKT GRY OPT0 KEY B/46 | 345660514 | C-HSG-B0 | G-CAP-0-P | TPA-B0 | RS | LS | MAL | CPA | MSEAL | RSEAL | - | - | - | - | - | - | - | - | - | - | - | - | - | 62 | - | 60 | 59 | - | - | - | - | - | 54 | 53 | SALEABLE | | 345650003 | | | | | | | | | | |
| | | | | | | | | | | | - | - | - | - | - | - | - | - | - | - | - | - | 42 | 41 | - | 39 | 38 | - | - | 35 | 34 | 33 | | | | | | | | | | | | | | | |
| | | | | | | | | | | | - | - | - | - | - | - | - | - | - | - | - | - | - | - | - | - | - | - | - | - | - | - | - | - | | | | - | - | - | - | - | - | - | - | - | - |
| | | | | | | | | | | | - | - | - | - | - | - | - | - | - | - | - | - | - | - | - | - | - | - | - | - | - | - | - | - | | | | - | - | - | - | - | - | - | - | - | |
| MX123 CONN ASSY 73 CKT BLK OPT0 KEY A/30 | 345660524 | C-HSG-A0 | G-CAP-0-P | TPA-A0 | RS | LS | MAL | CPA | MSEAL | RSEAL | - | - | - | 69 | 68 | - | - | 65 | 64 | 63 | 62 | 61 | 60 | 59 | 58 | 57 | 56 | 55 | 54 | - | SALEABLE | | 345650003 | | | | | | | | | | | | | | |
| | | | | | | | | | | | - | - | - | 49 | 48 | - | - | 45 | 44 | 43 | 42 | 41 | 40 | - | 38 | - | 36 | - | 34 | - | | | | | | | | | | | | | | | | | |
| | | | | | | | | | | | - | - | - | - | 32 | 31 | - | - | - | - | - | 25 | 24 | 23 | 22 | 21 | 20 | 19 | 18 | - | | | | | | | | | | | | | | | | | |
| | | | | | | | | | | | - | - | - | - | 16 | 15 | 14 | - | - | - | - | 9 | - | - | 6 | 5 | 4 | - | 2 | - | | | | | | | | | | | | | | | | | |
| MX123 CONN ASSY 73 CKT BLK OPT9 KEY A/46 | 345660534 | C-HSG-A9 | G-CAP-9-P | TPA-A9 | RS | LS | MAL | CPA | MSEAL | RSEAL | - | - | - | - | - | - | 65 | - | 63 | - | 61 | - | 59 | 58 | 57 | - | - | - | - | 53 | SALEABLE | | 345650003 | | | | | | | | | | | | | | |
| | | | | | | | | | | | - | - | - | - | 48 | - | - | - | - | 43 | 42 | 41 | - | - | 38 | 37 | - | - | 34 | - | | | | | | | | | | | | | | | | | |
| | | | | | | | | | | | - | - | - | - | 32 | 31 | 30 | 29 | 28 | - | - | - | - | 23 | 22 | - | - | 19 | - | 17 | | | | | | | | | | | | | | | | | |
| | | | | | | | | | | | - | - | - | - | 15 | - | - | - | 11 | - | - | - | 7 | - | - | - | - | 2 | - | | | | | | | | | | | | | | | | | | |
| MX123 CONN ASSY 73 CKT GRY OPT9 KEY B/59 | 345660544 | C-HSG-B9 | G-CAP-9-P | TPA-B9 | RS | LS | MAL | CPA | MSEAL | RSEAL | - | - | - | - | - | - | 66 | - | - | - | 62 | - | - | - | 58 | - | - | - | - | - | SALEABLE | | 345650003 | | | | | | | | | | | | | | |
| | | | | | | | | | | | - | - | - | - | - | - | - | - | - | - | - | - | - | - | - | - | - | - | - | - | | | | - | - | - | - | - | - | - | - | - | - | - | | | |
| | | | | | | | | | | | - | - | - | - | - | - | - | - | - | - | - | - | - | - | - | - | - | - | - | - | | | | - | - | - | - | - | - | - | - | - | - | - | - | | |
| | | | | | | | | | | | - | - | - | - | - | - | - | - | - | - | - | - | - | - | - | - | - | - | - | - | | | | - | - | - | - | - | - | - | - | - | - | - | - | - | |
| MX123 CONN ASSY 73 CKT NAT OPT0 KEY F/73 | 345660603 | C-HSG-F0 | G-CAP-0-P | TPA-F0 | RS | LS | MAL | CPA | MSEAL | RSEAL | - | - | - | - | - | - | - | - | - | - | - | - | - | - | - | - | - | - | - | - | - | - | - | - | - | - | - | SALEABLE | | 345650003 | | | | | | | |
| | | | | | | | | | | | - | - | - | - | - | - | - | - | - | - | - | - | - | - | - | - | - | - | - | - | - | - | - | - | - | - | - | | | | - | - | - | - | - | | |
| | | | | | | | | | | | - | - | - | - | - | - | - | - | - | - | - | - | - | - | - | - | - | - | - | - | - | - | - | - | - | - | - | | | | - | - | - | - | - | - | |
| | | | | | | | | | | | - | - | - | - | - | - | - | - | - | - | - | - | - | - | - | - | - | - | - | - | - | - | - | - | - | - | - | | | | - | - | - | - | - | - | - |
| MX123 CONN ASSY 73 CKT BLK OPT9 KEY A/38 | 345660604 | C-HSG-A9 | G-CAP-9-P | TPA-A9 | RS | LS | MAL | CPA | MSEAL | RSEAL | - | - | - | 69 | 68 | - | - | - | - | - | - | - | 60 | - | 58 | 57 | 56 | - | 54 | - | SALEABLE | | 345650003 | | | | | | | | | | | | | | |
| | | | | | | | | | | | - | - | - | 49 | 48 | - | - | - | - | - | - | 40 | - | - | - | - | 35 | 34 | - | | | | | | | | | | | | | | | | | | |
| | | | | | | | | | | | - | - | - | - | 32 | 31 | - | - | 28 | 27 | 26 | 25 | 24 | 23 | 22 | 21 | 20 | 19 | 18 | - | | | | | | | | | | | | | | | | | |
| | | | | | | | | | | | - | - | - | - | 16 | 15 | 14 | - | 12 | 11 | 10 | 9 | - | - | - | 5 | 4 | - | 2 | - | | | | | | | | | | | | | | | | | |
| MX123 CONN ASSY 73 CKT GRY OPT0 KEY B/43 | 345660624 | C-HSG-B0 | G-CAP-0-P | TPA-B0 | RS | LS | MAL | CPA | MSEAL | RSEAL | - | - | - | - | 68 | 67 | 66 | 65 | 64 | - | 62 | - | 60 | 59 | - | - | - | - | 54 | 53 | SALEABLE | | 345650003 | | | | | | | | | | | | | | |
| | | | | | | | | | | | - | - | - | - | 48 | 47 | 46 | - | 44 | - | 42 | - | 40 | 39 | - | - | - | 35 | 34 | - | | | | | | | | | | | | | | | | | |
| | | | | | | | | | | | - | - | - | - | - | 31 | - | - | - | 27 | - | - | - | - | - | - | - | 19 | 18 | 17 | | | | | | | | | | | | | | | | | |
| | | | | | | | | | | | - | - | - | - | - | 15 | 14 | - | - | 11 | - | - | - | - | - | - | - | 3 | 2 | 1 | | | | | | | | | | | | | | | | | |
| MX123 CONN ASSY 73 CKT BLK OPT9 KEY A/42 | 345660634 | C-HSG-A9 | G-CAP-9-P | TPA-A9 | RS | LS | MAL | CPA | MSEAL | RSEAL | 72 | 71 | - | - | 68 | - | 66 | 65 | - | 63 | 62 | - | - | - | 58 | - | - | - | - | - | SALEABLE | | 345650003 | | | | | | | | | | | | | | |
| | | | | | | | | | | | - | - | 50 | 49 | - | 47 | 46 | - | - | 43 | 42 | - | 40 | - | - | - | - | - | - | - | | | | | | | | | | | | | | | | | |
| | | | | | | | | | | | - | - | - | - | 32 | 31 | - | 29 | - | - | - | - | 24 | 23 | - | 21 | 20 | - | 18 | 17 | | | | | | | | | | | | | | | | | |
| | | | | | | | | | | | - | - | - | - | 16 | - | - | - | - | - | - | 9 | - | 7 | 6 | - | 4 | 3 | - | 1 | | | | | | | | | | | | | | | | | |
| MX123 CONN ASSY 73 CKT BLK OPT9 KEY A/43 | 345660654 | C-HSG-A9 | G-CAP-9-P | TPA-A9 | RS | LS | MAL | CPA | MSEAL | RSEAL | 72 | 71 | - | - | 68 | - | 66 | 65 | - | 63 | 62 | - | - | - | 58 | - | - | - | - | - | SALEABLE | | 345650003 | | | | | | | | | | | | | | |
| | | | | | | | | | | | - | - | 50 | 49 | - | 47 | 46 | - | - | 43 | 42 | - | 40 | - | - | - | - | - | 33 | | | | | | | | | | | | | | | | | | |
| | | | | | | | | | | | - | - | - | - | 32 | 31 | - | 29 | - | - | - | - | 24 | 23 | - | 20 | - | 18 | 17 | | | | | | | | | | | | | | | | | | |
| | | | | | | | | | | | - | - | - | - | 16 | - | - | - | - | - | - | 9 | - | - | 6 | - | 4 | 3 | - | 1 | | | | | | | | | | | | | | | | | |
| MX123 CONN ASSY 73 CKT GRY OPT9 KEY B/50 | 345660674 | C-HSG-B9 | G-CAP-9-P | TPA-B9 | RS | LS | MAL | CPA | MSEAL | RSEAL | - | - | - | - | - | - | 66 | 65 | - | - | 62 | - | 60 | 59 | - | - | - | - | 54 | 53 | SALEABLE | | 345650003 | | | | | | | | | | | | | | |
| | | | | | | | | | | | - | - | - | - | - | - | - | 46 | 45 | - | - | 42 | - | 40 | 39 | - | - | - | 35 | 34 | | | | 33 | | | | | | | | | | | | | |
| | | | | | | | | | | | - | - | - | - | - | 31 | - | - | - | 27 | - | - | - | - | - | - | - | - | 18 | 17 | | | | | | | | | | | | | | | | | |
| | | | | | | | | | | | - | - | - | - | - | - | - | - | 11 | - | - | - | - | - | - | - | - | 3 | 2 | 1 | | | | | | | | | | | | | | | | | |
| MX123 CONN ASSY 73 CKT BLK OPT0 KEY A/24 | 345660724 | C-HSG-A0 | G-CAP-0-P | TPA-A0 | RS | LS | MAL | CPA | MSEAL | RSEAL | 72 | 71 | 70 | 69 | - | 67 | - | - | 64 | - | - | 61 | 60 | 59 | - | 57 | 56 | 55 | 54 | 53 | SALEABLE | | 345650003 | | | | | | | | | | | | | | |
| | | | | | | | | | | | 52 | 51 | - | - | 48 | - | - | 45 | 44 | - | - | 41 | 40 | 39 | 38 | 37 | 36 | 35 | 34 | - | | | | | | | | | | | | | | | | | |
| | | | | | | | | | | | - | - | - | - | - | 31 | 30 | 29 | - | 27 | 26 | 25 | - | - | 22 | - | - | 19 | 18 | - | | | | | | | | | | | | | | | | | |
| | | | | | | | | | | | - | - | - | - | 16 | 15 | 14 | 13 | 12 | 11 | 10 | 9 | 8 | 7 | 6 | 5 | - | - | 2 | - | | | | | | | | | | | | | | | | | |
| MX123 CONN ASSY 73 CKT BLK OPT0 KEY A/31 | 345661013 | C-HSG-A0 | G-CAP-0-P | TPA-A0 | RS | LS | MAL | CPA | MSEAL | RSEAL | 72 | - | 70 | - | - | 67 | 66 | - | - | - | 62 | - | 60 | - | - | - | - | 55 | 54 | 53 | SALEABLE | | 345650003 | | | | | | | | | | | | | | |
| | | | | | | | | | | | - | 51 | - | - | 48 | - | 46 | 45 | 44 | 43 | 42 | - | 40 | 39 | - | - | - | 35 | - | - | | | | | | | | | | | | | | | | | |
| | | | | | | | | | | | - | - | - | - | - | - | - | - | - | 26 | 25 | - | - | 22 | 21 | - | - | - | - | - | | | | | | | | | | | | | | | | | |
| | | | | | | | | | | | - | - | - | - | 15 | 14 | - | - | - | - | - | 8 | 7 | 6 | 5 | 4 | - | - | - | - | | | | | | | | | | | | | | | | | |

| ASSEMBLY DESCRIPTION | ASSEMBLY PART NUMBER | CONNECTOR HOUSING | GROMMET CAP | TPA | RIGHT SLIDE | LEFT SLIDE | MATE ASSIST LEVER | CPA | MAT SEAL | RING SEAL | BLOCKED TERMINALS | | | | | | | | | | | | | | | | | | STATUS | COMMENTS | INTEGRAL COMPONENTS SOLD SEPARATELY | | |
|--|----------------------|-------------------|-------------|--------|-------------|------------|-------------------|-----|----------|-----------|--|----|----|----|----|----|----|----|----|----|----|----|----|----|----|----|----|----|--------|----------|-------------------------------------|-----------|-----------|
| | | | | | | | | | | | CAVITY WITH A NUMBER INDICATES BLOCKED TERMINAL POSITION | | | | | | | | | | | | | | | | | | | | DRESS COVER | | |
| | | | | | | | | | | | CAVITY WITHOUT A NUMBER INDICATES OPEN TERMINAL POSITION | | | | | | | | | | | | | | | | | | | | | | |
| MX123 CONN ASSY 73 CKT BLK OPT0 KEY A/34 | 345661023 | C-HSG-A0 | G-CAP-0-P | TPA-A0 | RS | LS | MAL | CPA | MSEAL | RSEAL | 72 | 71 | - | 69 | 68 | - | - | - | 64 | 63 | 62 | 61 | 60 | 59 | - | - | 56 | - | - | 53 | SALEABLE | | 345650003 |
| | | | | | | | | | | | 52 | 51 | - | - | 48 | - | 46 | 45 | - | - | - | - | 40 | - | 38 | - | 36 | - | 34 | 33 | | | |
| | | | | | | | | | | | - | | | | | | | | | | | | | | | | | | | | | | |
| MX123 CONN ASSY 73 CKT BLK OPT0 KEY A/32 | 345661033 | C-HSG-A0 | G-CAP-0-P | TPA-A0 | RS | LS | MAL | CPA | MSEAL | RSEAL | - | 71 | - | 69 | 68 | - | - | - | 64 | 63 | 62 | 61 | 60 | 59 | - | - | 56 | - | - | 53 | SALEABLE | | 345650003 |
| | | | | | | | | | | | 52 | 51 | - | - | 48 | - | 46 | 45 | - | - | - | - | 40 | - | 38 | - | 36 | - | 34 | 33 | | | |
| | | | | | | | | | | | - | | | | | | | | | | | | | | | | | | | | | | |
| MX123 CONN ASSY 73 CKT GRY OPT0 KEY B/30 | 345661043 | C-HSG-B0 | G-CAP-0-P | TPA-B0 | RS | LS | MAL | CPA | MSEAL | RSEAL | 72 | - | - | 69 | - | 67 | - | - | 64 | 63 | 62 | 61 | 60 | - | - | - | 56 | 55 | - | - | SALEABLE | | 345650003 |
| | | | | | | | | | | | 52 | - | - | - | - | 47 | - | - | 44 | - | 42 | - | - | - | - | - | - | - | 34 | - | | | |
| | | | | | | | | | | | - | | | | | | | | | | | | | | | | | | | | | | |
| MX123 CONN ASSY 73 CKT GRY OPT0 KEY B/50 | 345661063 | C-HSG-B0 | G-CAP-0-P | TPA-B0 | RS | LS | MAL | CPA | MSEAL | RSEAL | 72 | 71 | 70 | 69 | 68 | 67 | 66 | - | 64 | 63 | 62 | 61 | - | - | 58 | - | - | 54 | - | SALEABLE | | 345650003 | |
| | | | | | | | | | | | 52 | 51 | 50 | - | - | - | 46 | 45 | - | 43 | 42 | 41 | - | - | 38 | - | - | - | 34 | | | | - |
| | | | | | | | | | | | - | | | | | | | | | | | | | | | | | | | | | | |
| MX123 CONN ASSY 73 CKT BLK OPT0 KEY A/28 | 345661073 | C-HSG-A0 | G-CAP-0-P | TPA-A0 | RS | LS | MAL | CPA | MSEAL | RSEAL | - | - | - | - | - | - | - | - | - | 62 | - | 60 | - | - | - | - | 55 | - | 53 | SALEABLE | | 345650003 | |
| | | | | | | | | | | | 52 | 51 | - | - | - | - | 46 | 45 | 44 | 43 | - | - | 40 | 39 | - | - | - | 35 | - | | | | - |
| | | | | | | | | | | | - | | | | | | | | | | | | | | | | | | | | | | |
| MX123 CONN ASSY 73 CKT GRY OPT0 KEY B/28 | 345661083 | C-HSG-B0 | G-CAP-0-P | TPA-B0 | RS | LS | MAL | CPA | MSEAL | RSEAL | 72 | 71 | 70 | 69 | - | - | - | - | 63 | 62 | 61 | 60 | - | - | - | 56 | - | - | - | SALEABLE | | 345650003 | |
| | | | | | | | | | | | 52 | - | - | - | - | 47 | - | - | 44 | - | - | - | - | - | - | - | 36 | - | 34 | | | | - |
| | | | | | | | | | | | - | | | | | | | | | | | | | | | | | | | | | | |
| MX123 CONN ASSY 73 CKT BLK OPT0 KEY A/40 | 345661093 | C-HSG-A0 | G-CAP-0-P | TPA-A0 | RS | LS | MAL | CPA | MSEAL | RSEAL | 72 | 71 | - | 69 | - | - | - | 65 | 64 | 63 | 62 | 61 | 60 | 59 | - | 57 | - | - | 53 | SALEABLE | | 345650003 | |
| | | | | | | | | | | | 52 | 51 | 50 | - | 48 | - | 46 | 45 | - | - | - | - | 40 | - | 38 | - | - | 35 | - | | | | 33 |
| | | | | | | | | | | | - | | | | | | | | | | | | | | | | | | | | | | |
| MX123 CONN ASSY 73 CKT BLK OPT0 KEY A/39 | 345661133 | C-HSG-A0 | G-CAP-0-P | TPA-A0 | RS | LS | MAL | CPA | MSEAL | RSEAL | 72 | 71 | - | 69 | - | - | - | 65 | 64 | 63 | 62 | - | 60 | 59 | - | - | 56 | - | - | 53 | SALEABLE | | 345650003 |
| | | | | | | | | | | | 52 | 51 | 50 | - | 48 | - | 46 | - | - | - | - | - | 40 | - | 38 | - | 36 | 35 | - | 33 | | | |
| | | | | | | | | | | | - | | | | | | | | | | | | | | | | | | | | | | |
| MX123 CONN ASSY 73 CKT BLK OPT0 KEY A/31 | 345661143 | C-HSG-A0 | G-CAP-0-P | TPA-A0 | RS | LS | MAL | CPA | MSEAL | RSEAL | 72 | 71 | 70 | 69 | - | 67 | 66 | - | 64 | - | 62 | - | 60 | - | - | 57 | - | 55 | 54 | - | SALEABLE | | 345650003 |
| | | | | | | | | | | | - | 51 | - | 49 | 48 | - | 46 | 45 | 44 | 43 | 42 | - | 40 | 39 | - | - | - | - | - | - | | | |
| | | | | | | | | | | | - | | | | | | | | | | | | | | | | | | | | | | |
| MX123 CONN ASSY 73 CKT BLK OPT0 KEY A/42 | 345661153 | C-HSG-A0 | G-CAP-0-P | TPA-A0 | RS | LS | MAL | CPA | MSEAL | RSEAL | 72 | 71 | - | 69 | 68 | - | - | - | 64 | 63 | 62 | 61 | 60 | 59 | - | - | 56 | - | 54 | 53 | SALEABLE | | 345650003 |
| | | | | | | | | | | | 52 | 51 | 50 | - | 48 | - | 46 | 45 | - | - | - | - | 40 | - | 38 | - | 36 | 35 | 34 | 33 | | | |
| | | | | | | | | | | | - | | | | | | | | | | | | | | | | | | | | | | |
| MX123 CONN ASSY 73 CKT BLK OPT0 KEY A/27 | 345661173 | C-HSG-A0 | G-CAP-0-P | TPA-A0 | RS | LS | MAL | CPA | MSEAL | RSEAL | - | - | 70 | - | - | 67 | 66 | - | - | - | - | - | - | - | - | 57 | - | 55 | - | 53 | SALEABLE | | 345650003 |
| | | | | | | | | | | | - | 51 | - | - | - | - | 46 | - | 44 | 43 | - | - | 40 | 39 | - | - | - | 35 | - | - | | | |
| | | | | | | | | | | | - | | | | | | | | | | | | | | | | | | | | | | |
| MX123 CONN ASSY 73 CKT GRY OPT0 KEY B/48 | 345661183 | C-HSG-B0 | G-CAP-0-P | TPA-B0 | RS | LS | MAL | CPA | MSEAL | RSEAL | 72 | 71 | 70 | 69 | 68 | 67 | - | - | - | 63 | - | 61 | 60 | - | 58 | - | 56 | - | 54 | - | SALEABLE | | 345650003 |
| | | | | | | | | | | | 52 | 51 | 50 | - | - | - | 46 | 45 | - | 43 | - | 41 | 40 | - | 38 | - | 36 | - | 34 | - | | | |
| | | | | | | | | | | | - | | | | | | | | | | | | | | | | | | | | | | |

| ASSEMBLY DESCRIPTION | ASSEMBLY PART NUMBER | CONNECTOR HOUSING | GROMMET CAP | TPA | RIGHT SLIDE | LEFT SLIDE | MATE ASSIST LEVER | CPA | MAT SEAL | RING SEAL | BLOCKED TERMINALS | | | | | | | | | | | | | | | | | | STATUS | COMMENTS | INTEGRAL COMPONENTS SOLD SEPARATELY |
|--|----------------------|-------------------|-------------|--------|-------------|------------|-------------------|-----|----------|-----------|--|----|----|----|----|----|----|----|----|----|----|----|----|----|----|----|----|----|--------|----------|-------------------------------------|
| | | | | | | | | | | | CAVITY WITH A NUMBER INDICATES BLOCKED TERMINAL POSITION CAVITY WITHOUT A NUMBER INDICATES OPEN TERMINAL POSITION | | | | | | | | | | | | | | | | | | | | DRESS COVER |
| | | | | | | | | | | | | | | | | | | | | | | | | | | | | | | | |
| MX123 CONN ASSY 73 CKT BLK OPT0 KEY A/32 | 345661193 | C-HSG-A0 | G-CAP-0-P | TPA-A0 | RS | LS | MAL | CPA | MSEAL | RSEAL | - | - | 70 | - | - | - | - | 65 | - | - | - | 61 | 60 | - | 58 | 57 | 56 | 55 | - | - | |
| | | | | | | | | | | | - | 51 | 50 | - | - | 47 | - | 45 | - | - | - | 41 | 40 | - | 38 | 37 | 36 | 35 | - | - | |
| | | | | | | | | | | | | | | | | | | | | | | - | 31 | 30 | - | 28 | - | 26 | 25 | 24 | - |
| | | | | | | | | | | | 16 | 15 | - | - | - | - | 10 | - | - | - | - | - | - | - | - | - | - | - | - | | |
| MX123 CONN ASSY 73 CKT BLK OPT0 KEY A/36 | 345661213 | C-HSG-A0 | G-CAP-0-P | TPA-A0 | RS | LS | MAL | CPA | MSEAL | RSEAL | - | - | 70 | - | - | - | - | 65 | - | - | - | 61 | 60 | - | 58 | 57 | 56 | 55 | - | - | |
| | | | | | | | | | | | - | 51 | 50 | 49 | - | 47 | - | 45 | - | - | - | 41 | 40 | - | 38 | 37 | 36 | 35 | 34 | - | |
| | | | | | | | | | | | | | | | | | | | | | | - | 31 | 30 | - | 28 | - | 26 | 25 | - | - |
| | | | | | | | | | | | 16 | 15 | - | - | - | - | 10 | - | - | 7 | 6 | - | - | - | - | - | - | - | | | |
| MX123 CONN ASSY 73 CKT GRY OPT0 KEY B/48 | 345661223 | C-HSG-B0 | G-CAP-0-P | TPA-B0 | RS | LS | MAL | CPA | MSEAL | RSEAL | 72 | 71 | 70 | 69 | 68 | - | - | - | 64 | - | - | 61 | 60 | - | 58 | - | 56 | - | 54 | - | |
| | | | | | | | | | | | 52 | 51 | 50 | 49 | - | 47 | 46 | 45 | 44 | - | - | 41 | 40 | - | 38 | - | 36 | - | 34 | - | |
| | | | | | | | | | | | | | | | | | | | | | | 32 | 31 | 30 | - | 28 | - | - | 25 | 24 | - |
| | | | | | | | | | | | 16 | 15 | 14 | 13 | - | 11 | 10 | - | 8 | - | 6 | 5 | 4 | 3 | 2 | 1 | - | | | | |
| MX123 CONN ASSY 73 CKT GRY OPT0 KEY B/52 | 345661233 | C-HSG-B0 | G-CAP-0-P | TPA-B0 | RS | LS | MAL | CPA | MSEAL | RSEAL | 72 | 71 | 70 | 69 | 68 | 67 | 66 | - | 64 | 63 | - | 61 | 60 | - | 58 | - | 56 | - | 54 | - | |
| | | | | | | | | | | | 52 | 51 | 50 | 49 | - | 47 | - | 45 | 44 | 43 | - | 41 | 40 | - | 38 | - | 36 | - | 34 | - | |
| | | | | | | | | | | | | | | | | | | | | | | 32 | 31 | 30 | - | 28 | 27 | - | 25 | 24 | - |
| | | | | | | | | | | | 16 | 15 | 14 | 13 | - | 11 | 10 | - | 8 | - | 6 | 5 | 4 | 3 | 2 | 1 | - | | | | |
| MX123 CONN ASSY 73 CKT GRY OPT0 KEY B/51 | 345661243 | C-HSG-B0 | G-CAP-0-P | TPA-B0 | RS | LS | MAL | CPA | MSEAL | RSEAL | 72 | 71 | 70 | 69 | 68 | 67 | 66 | 65 | 64 | 63 | 62 | 61 | 60 | - | 58 | - | 56 | - | 54 | - | |
| | | | | | | | | | | | 52 | 51 | - | 49 | - | 47 | - | 45 | 44 | 43 | 42 | 41 | 40 | - | 38 | - | 36 | - | 34 | - | |
| | | | | | | | | | | | | | | | | | | | | | | 32 | 31 | 30 | - | 28 | 27 | 26 | 25 | 24 | - |
| | | | | | | | | | | | 16 | - | 14 | 13 | - | 11 | 10 | 9 | 8 | - | - | - | - | - | - | 2 | 1 | - | | | |
| MX123 CONN ASSY 73 CKT GRY OPT9 KEY B/55 | 345661253 | C-HSG-B9 | G-CAP-9-P | TPA-B9 | RS | LS | MAL | CPA | MSEAL | RSEAL | 72 | 71 | 70 | 69 | 68 | 67 | 66 | - | 64 | 63 | 62 | 61 | - | - | 58 | - | 56 | - | 54 | - | |
| | | | | | | | | | | | 52 | 51 | 50 | - | - | 47 | - | 45 | 44 | 43 | 42 | 41 | - | - | 38 | - | 36 | - | 34 | - | |
| | | | | | | | | | | | | | | | | | | | | | | 32 | 31 | 30 | 29 | 28 | 27 | 26 | 25 | - | - |
| | | | | | | | | | | | 16 | 15 | 14 | 13 | 12 | 11 | 10 | 9 | 8 | 7 | 6 | 5 | 4 | 3 | - | 1 | - | | | | |
| MX123 CONN ASSY 73 CKT BLK OPT9 KEY A/32 | 345661263 | C-HSG-A9 | G-CAP-9-P | TPA-A9 | RS | LS | MAL | CPA | MSEAL | RSEAL | - | - | 70 | - | - | - | - | 65 | - | - | - | 61 | 60 | - | 58 | 57 | - | 55 | 54 | - | |
| | | | | | | | | | | | 52 | 51 | - | 49 | - | 47 | - | 45 | - | - | - | 41 | 40 | - | 38 | 37 | - | - | 34 | - | |
| | | | | | | | | | | | | | | | | | | | | | | - | 31 | - | - | 28 | - | 26 | 25 | - | - |
| | | | | | | | | | | | 16 | 15 | - | - | - | - | 10 | - | - | 7 | 6 | - | - | - | - | - | - | | | | |
| MX123 CONN ASSY 73 CKT BLK OPT0 KEY A/33 | 345661273 | C-HSG-A0 | G-CAP-0-P | TPA-A0 | RS | LS | MAL | CPA | MSEAL | RSEAL | 72 | 71 | - | - | - | 67 | 66 | - | - | - | 62 | - | 60 | - | - | - | 55 | 54 | 53 | | |
| | | | | | | | | | | | - | 51 | - | - | - | - | 46 | 45 | 44 | 43 | 42 | - | 40 | 39 | - | - | - | 35 | - | - | |
| | | | | | | | | | | | | | | | | | | | | | | - | - | - | - | - | - | 26 | 25 | - | - |
| | | | | | | | | | | | - | 15 | 14 | - | - | - | - | - | 8 | 7 | 6 | 5 | 4 | 3 | 2 | - | - | | | | |
| MX123 CONN ASSY 73 CKT BLK OPT0 KEY A/28 | 345661283 | C-HSG-A0 | G-CAP-0-P | TPA-A0 | RS | LS | MAL | CPA | MSEAL | RSEAL | - | - | - | - | - | 67 | - | - | - | - | 62 | - | 60 | - | - | - | 55 | - | 53 | | |
| | | | | | | | | | | | - | 51 | - | - | - | - | 46 | 45 | 44 | 43 | - | - | 40 | 39 | - | - | - | 35 | - | - | |
| | | | | | | | | | | | | | | | | | | | | | | - | - | - | - | - | - | 25 | - | - | 22 |
| | | | | | | | | | | | - | 15 | 14 | - | - | - | - | - | 8 | 7 | 6 | 5 | 4 | 3 | 2 | 1 | - | | | | |
| MX123 CONN ASSY 73 CKT BLK OPT0 KEY A/38 | 345661293 | C-HSG-A0 | G-CAP-0-P | TPA-A0 | RS | LS | MAL | CPA | MSEAL | RSEAL | 72 | 71 | 70 | 69 | - | 67 | 66 | - | 64 | - | 62 | - | 60 | - | - | 57 | - | 55 | 54 | 53 | |
| | | | | | | | | | | | - | 51 | - | 49 | 48 | - | 46 | 45 | 44 | 43 | 42 | - | 40 | 39 | - | - | - | 35 | - | - | |
| | | | | | | | | | | | | | | | | | | | | | | - | - | - | - | - | - | 26 | 25 | - | - |
| | | | | | | | | | | | - | 15 | 14 | - | - | - | - | - | 8 | 7 | 6 | 5 | 4 | 3 | 2 | - | - | | | | |
| MX123 CONN ASSY 73 CKT BLK OPT9 KEY A/73 | 345661303 | C-HSG-A9 | G-CAP-9-P | TPA-A9 | RS | LS | MAL | CPA | MSEAL | RSEAL | - | - | - | - | - | - | - | - | - | - | - | - | - | - | - | - | - | - | - | | |
| | | | | | | | | | | | - | - | - | - | - | - | - | - | - | - | - | - | - | - | - | - | - | - | - | - | |
| | | | | | | | | | | | | | | | | | | | | | | - | - | - | - | - | - | - | - | - | - |
| | | | | | | | | | | | - | - | - | - | - | - | - | - | - | - | - | - | - | - | - | - | - | | | | |
| MX123 CONN ASSY 73 CKT BLK OPT0 KEY A/4 | 345661323 | C-HSG-A0 | G-CAP-0-P | TPA-A0 | RS | LS | MAL | CPA | MSEAL | RSEAL | - | - | - | - | - | - | - | - | - | - | - | 61 | - | - | - | - | - | - | - | | |
| | | | | | | | | | | | - | - | - | - | - | - | - | - | - | - | - | - | - | - | - | - | - | - | - | - | |
| | | | | | | | | | | | | | | | | | | | | | | - | - | - | - | - | - | 26 | - | - | - |
| | | | | | | | | | | | - | - | - | - | - | - | 10 | - | - | - | - | - | - | - | - | - | - | | | | |

| ASSEMBLY DESCRIPTION | ASSEMBLY PART NUMBER | CONNECTOR HOUSING | GROMMET CAP | TPA | RIGHT SLIDE | LEFT SLIDE | MATE ASSIST LEVER | CPA | MAT SEAL | RING SEAL | BLOCKED TERMINALS | | | | | | | | | | | | | | | | | | | | STATUS | COMMENTS | INTEGRAL COMPONENTS SOLD SEPARATELY | |
|--|----------------------|-------------------|-------------|--------|-------------|------------|-------------------|-----|----------|-----------|--|----|----|----|----|----|----|----|----|----|----|----|----|----|----|----|----|----|----------|----------|-----------|-----------|-------------------------------------|----|
| | | | | | | | | | | | CAVITY WITH A NUMBER INDICATES BLOCKED TERMINAL POSITION | | | | | | | | | | | | | | | | | | | | | | DRESS COVER | |
| | | | | | | | | | | | CAVITY WITHOUT A NUMBER INDICATES OPEN TERMINAL POSITION | | | | | | | | | | | | | | | | | | | | | | | |
| MX123 CONN ASSY 73 CKT BLK OPT0 KEY A/36 | 345661333 | C-HSG-A0 | G-CAP-0-P | TPA-A0 | RS | LS | MAL | CPA | MSEAL | RSEAL | 72 | 71 | - | - | - | 67 | 66 | - | - | 63 | 62 | 61 | 60 | - | - | 57 | - | 55 | 54 | 53 | SALEABLE | | 345650003 | |
| | | | | | | | | | | | - | 51 | - | - | 48 | - | 46 | 45 | 44 | 43 | 42 | - | 40 | 39 | - | - | - | - | 35 | - | | | | 33 |
| | | | | | | | | | | | | | | | | | | | | | - | - | - | - | - | 26 | 25 | 24 | - | 22 | | | | 21 |
| MX123 CONN ASSY 73 CKT BLK OPT0 KEY A/31 | 345661343 | C-HSG-A0 | G-CAP-0-P | TPA-A0 | RS | LS | MAL | CPA | MSEAL | RSEAL | - | - | 70 | - | 68 | - | 66 | - | - | - | 62 | 61 | 60 | - | - | - | - | 55 | 54 | 53 | SALEABLE | | 345650003 | |
| | | | | | | | | | | | 52 | 51 | - | - | - | - | 46 | 45 | 44 | 43 | 42 | - | 40 | 39 | - | - | - | - | 35 | - | | | | 33 |
| | | | | | | | | | | | | | | | | | | | | | - | - | - | - | - | 26 | 25 | 24 | - | 22 | | | | 21 |
| MX123 CONN ASSY 73 CKT BLK OPT0 KEY A/38 | 345661363 | C-HSG-A0 | G-CAP-0-P | TPA-A0 | RS | LS | MAL | CPA | MSEAL | RSEAL | - | - | 70 | - | - | - | 65 | - | - | - | 61 | 60 | - | 58 | 57 | 56 | 55 | 54 | - | SALEABLE | | 345650003 | | |
| | | | | | | | | | | | 52 | 51 | 50 | 49 | - | 47 | - | 45 | - | - | - | 41 | 40 | - | 38 | 37 | 36 | 35 | 34 | | | | - | |
| | | | | | | | | | | | | | | | | | | | | | - | 31 | 30 | - | 28 | - | 26 | 25 | - | | | | - | 22 |
| MX123 CONN ASSY 73 CKT GRY OPT0 KEY B/51 | 345661373 | C-HSG-B0 | G-CAP-0-P | TPA-B0 | RS | LS | MAL | CPA | MSEAL | RSEAL | 72 | 71 | 70 | 69 | 68 | 67 | - | - | 64 | 63 | - | 61 | 60 | - | 58 | - | 56 | - | 54 | - | SALEABLE | | 345650003 | |
| | | | | | | | | | | | 52 | 51 | 50 | 49 | - | 47 | - | 45 | 44 | 43 | - | 41 | 40 | - | 38 | - | 36 | - | 34 | - | | | | |
| | | | | | | | | | | | | | | | | | | | | | 32 | 31 | 30 | - | 28 | 27 | - | 25 | 24 | - | | | | 22 |
| MX123 CONN ASSY 73 CKT GRY OPT0 KEY B/51 | 345661383 | C-HSG-B0 | G-CAP-0-P | TPA-B0 | RS | LS | MAL | CPA | MSEAL | RSEAL | 72 | 71 | 70 | 69 | 68 | 67 | 66 | - | 64 | 63 | 62 | 61 | 60 | - | - | - | 56 | - | 54 | - | SALEABLE | | 345650003 | |
| | | | | | | | | | | | 52 | 51 | 50 | - | - | - | - | 45 | 44 | 43 | 42 | 41 | 40 | - | - | - | 36 | - | 34 | - | | | | |
| | | | | | | | | | | | | | | | | | | | | | 32 | 31 | 30 | - | 28 | 27 | 26 | 25 | 24 | - | | | | - |
| MX123 CONN ASSY 73 CKT GRY OPT0 KEY B/51 | 345661383 | C-HSG-B0 | G-CAP-0-P | TPA-B0 | RS | LS | MAL | CPA | MSEAL | RSEAL | 72 | 71 | 70 | 69 | 68 | 67 | 66 | - | 64 | 63 | 62 | 61 | 60 | - | - | - | 56 | - | 54 | - | SALEABLE | | 345650003 | |
| | | | | | | | | | | | 52 | 51 | 50 | - | - | - | - | 45 | 44 | 43 | 42 | 41 | 40 | - | - | - | 36 | - | 34 | - | | | | |
| | | | | | | | | | | | | | | | | | | | | | 32 | 31 | 30 | - | 28 | 27 | 26 | 25 | 24 | - | | | | - |
| MX123 CONN ASSY 73 CKT BLK OPT0 KEY A/41 | 345661393 | C-HSG-A0 | G-CAP-0-P | TPA-A0 | RS | LS | MAL | CPA | MSEAL | RSEAL | 72 | 71 | - | 69 | 68 | - | - | 65 | 64 | 63 | 62 | - | 60 | 59 | - | - | 56 | - | 54 | - | SALEABLE | | 345650003 | |
| | | | | | | | | | | | 52 | 51 | 50 | 49 | 48 | - | 46 | - | - | - | - | - | 40 | - | 38 | - | 36 | 35 | - | 33 | | | | |
| | | | | | | | | | | | | | | | | | | | | | - | 31 | - | 29 | 28 | - | 26 | - | - | 23 | | | | 22 |
| MX123 CONN ASSY 73 CKT GRY OPT9 KEY B/73 | 345661403 | C-HSG-B9 | G-CAP-9-P | TPA-B9 | RS | LS | MAL | CPA | MSEAL | RSEAL | - | - | - | - | - | - | - | - | - | - | - | - | - | - | - | - | - | - | SALEABLE | | 345650003 | | | |
| | | | | | | | | | | | - | - | - | - | - | - | - | - | - | - | - | - | - | - | - | - | - | - | | | | - | - | |
| | | | | | | | | | | | | | | | | | | | | | - | - | - | - | - | - | - | - | | | | - | - | - |
| MX123 CONN ASSY 73 CKT GRY OPT0 KEY B/25 | 345661423 | C-HSG-B0 | G-CAP-0-P | TPA-B0 | RS | LS | MAL | CPA | MSEAL | RSEAL | 72 | 71 | 70 | 69 | - | - | - | - | 64 | 63 | 62 | - | - | - | - | 56 | 55 | - | - | SALEABLE | | 345650003 | | |
| | | | | | | | | | | | 52 | - | - | - | - | - | - | - | 44 | - | - | - | - | - | - | 36 | - | - | - | | | | | |
| | | | | | | | | | | | | | | | | | | | | | - | - | - | 29 | 28 | 27 | - | 25 | - | | | | - | - |
| MX123 CONN ASSY 73 CKT GRY OPT0 KEY B/52 | 345661433 | C-HSG-B0 | G-CAP-0-P | TPA-B0 | RS | LS | MAL | CPA | MSEAL | RSEAL | 72 | 71 | 70 | 69 | 68 | 67 | - | 65 | - | 63 | 62 | 61 | 60 | - | 58 | - | 56 | - | 54 | - | SALEABLE | | 345650003 | |
| | | | | | | | | | | | 52 | 51 | 50 | - | - | 47 | - | 45 | 44 | 43 | 42 | 41 | 40 | - | 38 | - | 36 | - | 34 | - | | | | |
| | | | | | | | | | | | | | | | | | | | | | - | 31 | 30 | - | 28 | 27 | 26 | 25 | 24 | - | | | | 22 |
| MX123 CONN ASSY 73 CKT GRY OPT0 KEY B/51 | 345661443 | C-HSG-B0 | G-CAP-0-P | TPA-B0 | RS | LS | MAL | CPA | MSEAL | RSEAL | 72 | 71 | 70 | - | - | 67 | - | 65 | 64 | 63 | 62 | 61 | 60 | - | 58 | - | 56 | - | 54 | - | SALEABLE | | 345650003 | |
| | | | | | | | | | | | 52 | 51 | 50 | - | - | 47 | - | 45 | 44 | 43 | 42 | 41 | 40 | - | 38 | - | 36 | - | 34 | - | | | | |
| | | | | | | | | | | | | | | | | | | | | | 32 | 31 | 30 | - | 28 | 27 | 26 | 25 | 24 | - | | | | 22 |
| MX123 CONN ASSY 73 CKT GRY OPT0 KEY B/47 | 345661453 | C-HSG-B0 | G-CAP-0-P | TPA-B0 | RS | LS | MAL | CPA | MSEAL | RSEAL | 72 | 71 | 70 | 69 | 68 | 67 | - | - | - | 63 | - | 61 | 60 | - | 58 | - | 56 | - | 54 | - | SALEABLE | | 345650003 | |
| | | | | | | | | | | | 52 | 51 | 50 | - | - | - | 46 | 45 | - | 43 | - | 41 | 40 | - | 38 | - | 36 | - | 34 | - | | | | |
| | | | | | | | | | | | | | | | | | | | | | 32 | 31 | 30 | - | - | 27 | - | 25 | 24 | - | | | | 22 |
| MX123 CONN ASSY 73 CKT BLK OPT0 KEY A/31 | 345661463 | C-HSG-A0 | G-CAP-0-P | TPA-A0 | RS | LS | MAL | CPA | MSEAL | RSEAL | 72 | 71 | 70 | - | - | 67 | 66 | - | - | - | - | - | - | - | - | 57 | - | 55 | 54 | 53 | SALEABLE | | 345650003 | |
| | | | | | | | | | | | - | 51 | - | - | - | - | 46 | - | 44 | 43 | 42 | - | 40 | 39 | - | - | - | 35 | - | - | | | | |
| | | | | | | | | | | | | | | | | | | | | | - | - | - | - | - | - | 26 | 25 | - | - | | | | 22 |

| ASSEMBLY DESCRIPTION | ASSEMBLY PART NUMBER | CONNECTOR HOUSING | GROMMET CAP | TPA | RIGHT SLIDE | LEFT SLIDE | MATE ASSIST LEVER | CPA | MAT SEAL | RING SEAL | BLOCKED TERMINALS | | | | | | | | | | | | | | | | | | STATUS | COMMENTS | INTEGRAL COMPONENTS SOLD SEPARATELY | | | |
|--|----------------------|-------------------|-------------|--------|-------------|------------|-------------------|-----|----------|-----------|--|----|----|----|----|----|----|----|----|----|----|----|----|----|----|----|----|----|--------|----------|-------------------------------------|-----------|-----------|----|
| | | | | | | | | | | | CAVITY WITH A NUMBER INDICATES BLOCKED TERMINAL POSITION | | | | | | | | | | | | | | | | | | | | DRESS COVER | | | |
| | | | | | | | | | | | CAVITY WITHOUT A NUMBER INDICATES OPEN TERMINAL POSITION | | | | | | | | | | | | | | | | | | | | | | | |
| MX123 CONN ASSY 73 CKT BLK OPT0 KEY A/32 | 345661473 | C-HSG-A0 | G-CAP-0-P | TPA-A0 | RS | LS | MAL | CPA | MSEAL | RSEAL | - | - | 70 | - | - | - | - | 65 | - | - | - | 61 | 60 | - | 58 | 57 | 56 | 55 | - | - | SALEABLE | | 345650003 | |
| | | | | | | | | | | | - | 51 | 50 | - | - | 47 | - | 45 | - | - | - | 41 | 40 | - | 38 | 37 | 36 | 35 | - | - | | | | |
| | | | | | | | | | | | - | | | | | | | | | | | | | | | | | | 16 | 15 | | | | - |
| MX123 CONN ASSY 73 CKT BLK OPT0 KEY A/33 | 345661483 | C-HSG-A0 | G-CAP-0-P | TPA-A0 | RS | LS | MAL | CPA | MSEAL | RSEAL | - | - | 70 | - | - | 67 | 66 | - | - | - | 62 | - | 60 | - | - | 57 | - | 55 | 54 | 53 | SALEABLE | | 345650003 | |
| | | | | | | | | | | | - | 51 | - | - | 48 | - | 46 | 45 | 44 | 43 | 42 | - | 40 | 39 | - | - | - | 35 | - | - | | | | |
| | | | | | | | | | | | - | | | | | | | | | | | | | | | | | | - | 15 | | | | 14 |
| MX123 CONN ASSY 73 CKT GRY OPT0 KEY B/49 | 345661493 | C-HSG-B0 | G-CAP-0-P | TPA-B0 | RS | LS | MAL | CPA | MSEAL | RSEAL | 72 | 71 | 70 | 69 | - | 67 | 66 | 65 | 64 | 63 | 62 | 61 | 60 | - | - | - | 56 | - | 54 | - | SALEABLE | | 345650003 | |
| | | | | | | | | | | | 52 | 51 | 50 | - | - | 47 | - | 45 | 44 | 43 | 42 | 41 | 40 | - | - | - | 36 | - | 34 | - | | | | |
| | | | | | | | | | | | - | | | | | | | | | | | | | | | | | | 32 | 31 | | | | 30 |
| MX123 CONN ASSY 73 CKT BLU OPT9 KEY C/73 | 345661503 | C-HSG-C9 | G-CAP-9-P | TPA-C9 | RS | LS | MAL | CPA | MSEAL | RSEAL | - | - | - | - | - | - | - | - | - | - | - | - | - | - | - | - | - | - | - | SALEABLE | | 345650003 | | |
| | | | | | | | | | | | - | | | | | | | | | | | | | | | | | | | | | | | |
| | | | | | | | | | | | - | | | | | | | | | | | | | | | | | | | | | | | |
| MX123 CONN ASSY 73 CKT GRY OPT0 KEY B/55 | 345661513 | C-HSG-B0 | G-CAP-0-P | TPA-B0 | RS | LS | MAL | CPA | MSEAL | RSEAL | 72 | 71 | 70 | 69 | 68 | 67 | 66 | - | 64 | 63 | 62 | 61 | 60 | - | 58 | - | 56 | - | 54 | - | SALEABLE | | 345650003 | |
| | | | | | | | | | | | 52 | 51 | 50 | - | - | 47 | - | 45 | 44 | 43 | 42 | 41 | 40 | - | 38 | - | 36 | - | 34 | - | | | | |
| | | | | | | | | | | | - | | | | | | | | | | | | | | | | | | 32 | 31 | | | | 30 |
| MX123 CONN ASSY 73 CKT BLK OPT0 KEY A/34 | 345661523 | C-HSG-A0 | G-CAP-0-P | TPA-A0 | RS | LS | MAL | CPA | MSEAL | RSEAL | 72 | 71 | - | - | - | 67 | 66 | - | - | 63 | 62 | 61 | 60 | - | - | 57 | - | 55 | - | 53 | SALEABLE | | 345650003 | |
| | | | | | | | | | | | - | 51 | - | - | 48 | - | 46 | 45 | 44 | 43 | - | - | 40 | 39 | - | - | - | 35 | - | 33 | | | | |
| | | | | | | | | | | | - | | | | | | | | | | | | | | | | | | - | 15 | | | | 14 |
| MX123 CONN ASSY 73 CKT BLK OPT0 KEY A/28 | 345661533 | C-HSG-A0 | G-CAP-0-P | TPA-A0 | RS | LS | MAL | CPA | MSEAL | RSEAL | - | - | - | - | - | 67 | 66 | - | - | - | 62 | - | 60 | - | - | - | 55 | 54 | 53 | SALEABLE | | 345650003 | | |
| | | | | | | | | | | | - | - | - | - | 48 | - | 46 | 45 | 44 | 43 | 42 | - | 40 | 39 | - | - | - | 35 | - | | | | - | |
| | | | | | | | | | | | - | | | | | | | | | | | | | | | | | | - | | | | 15 | 14 |
| MX123 CONN ASSY 73 CKT GRY OPT0 KEY B/53 | 345661543 | C-HSG-B0 | G-CAP-0-P | TPA-B0 | RS | LS | MAL | CPA | MSEAL | RSEAL | 72 | 71 | 70 | - | - | 67 | - | 65 | 64 | 63 | 62 | 61 | 60 | - | 58 | - | 56 | - | 54 | - | SALEABLE | | 345650003 | |
| | | | | | | | | | | | 52 | 51 | 50 | - | - | 47 | - | 45 | 44 | 43 | 42 | 41 | 40 | - | 38 | - | 36 | - | 34 | - | | | | |
| | | | | | | | | | | | - | | | | | | | | | | | | | | | | | | 32 | 31 | | | | 30 |
| MX123 CONN ASSY 73 CKT BLK OPT0 KEY A/73 | 345661553 | C-HSG-A0 | G-CAP-0-P | TPA-A0 | RS | LS | MAL | CPA | MSEAL | RSEAL | 72 | 71 | 70 | 69 | 68 | 67 | 66 | 65 | 64 | 63 | 62 | 61 | 60 | 59 | 58 | 57 | 56 | 55 | 54 | 53 | SALEABLE | | 345650003 | |
| | | | | | | | | | | | 52 | 51 | 50 | 49 | 48 | 47 | 46 | 45 | 44 | 43 | 42 | 41 | 40 | 39 | 38 | 37 | 36 | 35 | 34 | 33 | | | | |
| | | | | | | | | | | | - | | | | | | | | | | | | | | | | | | 32 | 31 | | | | 30 |
| MX123 CONN ASSY 73 CKT BLK OPT9 KEY A/73 | 345661563 | C-HSG-A9 | G-CAP-9-P | TPA-A9 | RS | LS | MAL | CPA | MSEAL | RSEAL | 72 | 71 | 70 | 69 | 68 | 67 | 66 | 65 | 64 | 63 | 62 | 61 | 60 | 59 | 58 | 57 | 56 | 55 | 54 | 53 | SALEABLE | | 345650003 | |
| | | | | | | | | | | | 52 | 51 | 50 | 49 | 48 | 47 | 46 | 45 | 44 | 43 | 42 | 41 | 40 | 39 | 38 | 37 | 36 | 35 | 34 | 33 | | | | |
| | | | | | | | | | | | - | | | | | | | | | | | | | | | | | | 32 | 31 | | | | 30 |
| MX123 CONN ASSY 73 CKT BLK OPT0 KEY A/35 | 345661583 | C-HSG-A0 | G-CAP-0-P | TPA-A0 | RS | LS | MAL | CPA | MSEAL | RSEAL | 72 | 71 | - | 69 | 68 | - | - | - | 64 | 63 | 62 | - | 60 | 59 | - | - | 56 | - | - | 53 | SALEABLE | | 345650003 | |
| | | | | | | | | | | | 52 | 51 | 50 | - | 48 | - | 46 | - | - | - | - | 40 | - | 38 | - | 36 | 35 | - | 33 | | | | | |
| | | | | | | | | | | | - | | | | | | | | | | | | | | | | | | - | 31 | | | | - |
| MX123 CONN ASSY 73 CKT GRY OPT0 KEY B/30 | 345661593 | C-HSG-B0 | G-CAP-0-P | TPA-B0 | RS | LS | MAL | CPA | MSEAL | RSEAL | 72 | 71 | 70 | 69 | 68 | - | 66 | - | 64 | 63 | 62 | - | - | - | - | 56 | 55 | - | - | SALEABLE | | 345650003 | | |
| | | | | | | | | | | | 52 | - | - | - | - | - | - | - | 44 | - | - | 41 | - | - | 38 | - | 36 | 35 | - | | | | - | |
| | | | | | | | | | | | - | | | | | | | | | | | | | | | | | | - | | | | - | - |

| ASSEMBLY DESCRIPTION | ASSEMBLY PART NUMBER | CONNECTOR HOUSING | GROMMET CAP | TPA | RIGHT SLIDE | LEFT SLIDE | MATE ASSIST LEVER | CPA | MAT SEAL | RING SEAL | BLOCKED TERMINALS | | | | | | | | | | | | | | | | | | STATUS | COMMENTS | INTEGRAL COMPONENTS SOLD SEPARATELY |
|--|----------------------|-------------------|-------------|--------|-------------|------------|-------------------|-----|----------|-----------|--|----|----|----|----|----|----|----|----|----|----|----|----|----|----|----|----|----|--------|----------|-------------------------------------|
| | | | | | | | | | | | CAVITY WITH A NUMBER INDICATES BLOCKED TERMINAL POSITION CAVITY WITHOUT A NUMBER INDICATES OPEN TERMINAL POSITION | | | | | | | | | | | | | | | | | | | | DRESS COVER |
| | | | | | | | | | | | | | | | | | | | | | | | | | | | | | | | |
| MX123 CONN ASSY 73 CKT GRY OPT0 KEY B/51 | 345661623 | C-HSG-B0 | G-CAP-0-P | TPA-B0 | RS | LS | MAL | CPA | MSEAL | RSEAL | 72 | 71 | 70 | 69 | 68 | 67 | - | - | 64 | 63 | - | 61 | 60 | - | 58 | - | 56 | - | 54 | - | |
| | | | | | | | | | | | 52 | 51 | 50 | 49 | - | - | 46 | 45 | 44 | 43 | - | 41 | 40 | - | 38 | - | 36 | - | 34 | - | |
| | | | | | | | | | | | | | | | 32 | 31 | 30 | - | 28 | 27 | - | 25 | 24 | - | 22 | - | 20 | 19 | 18 | - | |
| | | | | 16 | 15 | 14 | 13 | - | 11 | 10 | - | 8 | - | 6 | 5 | 4 | 3 | 2 | 1 | | | | | | | | | | | | |
| MX123 CONN ASSY 73 CKT GRY OPT0 KEY B/46 | 345661633 | C-HSG-B0 | G-CAP-0-P | TPA-B0 | RS | LS | MAL | CPA | MSEAL | RSEAL | 72 | 71 | 70 | - | - | 67 | - | 65 | 64 | 63 | 62 | 61 | 60 | - | 58 | - | 56 | - | 54 | - | |
| | | | | | | | | | | | 52 | 51 | - | 49 | - | - | 46 | 45 | 44 | 43 | 42 | 41 | 40 | - | 38 | - | 36 | - | 34 | - | |
| | | | | | | | | | | | | | | | 32 | 31 | 30 | - | 28 | 27 | 26 | 25 | 24 | - | 22 | - | 20 | 19 | 18 | - | |
| | | | | 16 | - | 14 | 13 | - | - | - | 9 | 8 | - | - | - | - | - | - | 2 | 1 | | | | | | | | | | | |
| MX123 CONN ASSY 73 CKT GRY OPT0 KEY B/46 | 345661643 | C-HSG-B0 | G-CAP-0-P | TPA-B0 | RS | LS | MAL | CPA | MSEAL | RSEAL | 72 | 71 | 70 | - | - | 67 | - | 65 | 64 | 63 | 62 | 61 | 60 | - | 58 | - | 56 | - | 54 | - | |
| | | | | | | | | | | | 52 | 51 | - | 49 | - | - | 47 | - | 45 | 44 | 43 | 42 | 41 | 40 | - | 38 | - | 36 | - | 34 | - |
| | | | | | | | | | | | | | | | 32 | 31 | 30 | - | 28 | 27 | 26 | 25 | 24 | - | 22 | - | 20 | 19 | 18 | - | |
| | | | | 16 | - | 14 | 13 | - | - | - | 9 | 8 | - | - | - | - | - | - | 2 | 1 | | | | | | | | | | | |
| MX123 CONN ASSY 73 CKT GRY OPT0 KEY B/50 | 345661653 | C-HSG-B0 | G-CAP-0-P | TPA-B0 | RS | LS | MAL | CPA | MSEAL | RSEAL | 72 | 71 | 70 | 69 | 68 | 67 | - | 65 | 64 | 63 | 62 | 61 | 60 | - | 58 | - | 56 | - | 54 | - | |
| | | | | | | | | | | | 52 | 51 | - | 49 | - | - | 47 | - | 45 | 44 | 43 | 42 | 41 | 40 | - | 38 | - | 36 | - | 34 | - |
| | | | | | | | | | | | | | | | 32 | 31 | 30 | - | 28 | 27 | 26 | 25 | 24 | - | 22 | - | 20 | 19 | 18 | - | |
| | | | | 16 | - | 14 | 13 | - | 11 | 10 | 9 | 8 | - | - | - | - | - | - | 2 | 1 | | | | | | | | | | | |
| MX123 CONN ASSY 73 CKT GRY OPT0 KEY B/52 | 345661663 | C-HSG-B0 | G-CAP-0-P | TPA-B0 | RS | LS | MAL | CPA | MSEAL | RSEAL | 72 | 71 | 70 | 69 | 68 | 67 | - | 65 | 64 | 63 | 62 | 61 | 60 | - | 58 | - | 56 | - | 54 | - | |
| | | | | | | | | | | | 52 | 51 | - | 49 | - | - | 47 | - | 45 | 44 | 43 | 42 | 41 | 40 | - | 38 | - | 36 | - | 34 | - |
| | | | | | | | | | | | | | | | 32 | 31 | 30 | - | 28 | 27 | 26 | 25 | 24 | - | 22 | - | 20 | 19 | 18 | 17 | |
| | | | | 16 | - | 14 | 13 | 12 | 11 | 10 | 9 | 8 | - | - | - | - | - | - | 2 | 1 | | | | | | | | | | | |
| MX123 CONN ASSY 73 CKT BLK OPT0 KEY A/22 | 345661673 | C-HSG-A0 | G-CAP-0-P | TPA-A0 | RS | LS | MAL | CPA | MSEAL | RSEAL | - | - | - | - | - | - | - | - | - | - | - | 61 | - | - | 58 | 57 | 56 | - | - | - | |
| | | | | | | | | | | | - | 51 | 50 | - | - | 47 | 46 | - | - | - | - | - | - | - | - | 38 | 37 | 36 | - | - | - |
| | | | | | | | | | | | | | | | - | 31 | 30 | - | 28 | - | 26 | - | - | - | 22 | 21 | 20 | - | - | - | |
| | | | | - | 15 | 14 | - | - | - | 10 | - | - | - | - | - | - | - | - | - | - | - | | | | | | | | | | |
| MX123 CONN ASSY 73 CKT GRY OPT0 KEY B/39 | 345661683 | C-HSG-B0 | G-CAP-0-P | TPA-B0 | RS | LS | MAL | CPA | MSEAL | RSEAL | 72 | 71 | 70 | 69 | 68 | - | - | 65 | 64 | - | 62 | 61 | 60 | - | - | - | - | - | 54 | - | |
| | | | | | | | | | | | 52 | 51 | - | - | - | 47 | 46 | 45 | 44 | - | 42 | 41 | 40 | - | - | - | - | - | 34 | - | |
| | | | | | | | | | | | | | | | 32 | 31 | 30 | - | 28 | - | 26 | 25 | 24 | - | - | - | 20 | 19 | 18 | 17 | |
| | | | | - | - | - | - | 12 | 11 | 10 | 9 | - | - | - | - | - | - | - | 2 | 1 | | | | | | | | | | | |
| MX123 CONN ASSY 73 CKT GRY OPT0 KEY B/53 | 345661693 | C-HSG-B0 | G-CAP-0-P | TPA-B0 | RS | LS | MAL | CPA | MSEAL | RSEAL | 72 | 71 | 70 | 69 | 68 | 67 | - | 65 | - | 63 | 62 | 61 | 60 | - | 58 | - | 56 | - | 54 | - | |
| | | | | | | | | | | | 52 | 51 | 50 | - | - | 47 | - | 45 | 44 | 43 | 42 | 41 | 40 | - | 38 | - | 36 | - | 34 | - | |
| | | | | | | | | | | | | | | | - | 31 | 30 | - | 28 | 27 | 26 | 25 | 24 | - | 22 | - | 20 | 19 | 18 | - | |
| | | | | 16 | 15 | 14 | 13 | - | 11 | 10 | 9 | 8 | - | 6 | 5 | 4 | 3 | 2 | 1 | | | | | | | | | | | | |
| MX123 CONN ASSY 73 CKT GRY OPT0 KEY B/21 | 345661713 | C-HSG-B0 | G-CAP-0-P | TPA-B0 | RS | LS | MAL | CPA | MSEAL | RSEAL | 72 | - | - | 69 | - | 67 | - | - | - | - | 62 | 61 | - | - | - | - | - | - | - | - | |
| | | | | | | | | | | | 52 | - | - | - | - | 47 | - | - | 44 | - | 42 | - | - | - | - | - | - | 34 | - | | |
| | | | | | | | | | | | | | | | - | - | - | 29 | 28 | 27 | 26 | 25 | - | - | - | 21 | - | - | 18 | 17 | |
| | | | | - | - | 14 | - | - | - | - | - | - | - | - | - | - | - | - | - | 1 | | | | | | | | | | | |
| MX123 CONN ASSY 73 CKT GRY OPT0 KEY B/28 | 345661723 | C-HSG-B0 | G-CAP-0-P | TPA-B0 | RS | LS | MAL | CPA | MSEAL | RSEAL | 72 | - | - | 69 | - | 67 | - | - | 64 | 63 | 62 | 61 | - | - | - | - | 56 | 55 | - | - | |
| | | | | | | | | | | | 52 | - | - | - | - | 47 | - | - | 44 | - | 42 | - | - | - | - | - | - | 34 | - | | |
| | | | | | | | | | | | | | | | - | - | - | 29 | 28 | 27 | 26 | 25 | - | - | - | 21 | - | 19 | 18 | 17 | |
| | | | | - | - | 14 | - | - | - | - | - | - | - | - | - | - | - | 3 | 2 | 1 | | | | | | | | | | | |
| MX123 CONN ASSY 73 CKT BLK OPT0 KEY A/35 | 345661733 | C-HSG-A0 | G-CAP-0-P | TPA-A0 | RS | LS | MAL | CPA | MSEAL | RSEAL | 72 | 71 | - | 69 | - | - | - | - | 64 | 63 | 62 | 61 | 60 | 59 | - | - | 56 | - | 54 | 53 | |
| | | | | | | | | | | | 52 | 51 | 50 | - | 48 | - | 46 | 45 | - | - | - | - | 40 | - | 38 | - | 36 | - | 34 | 33 | |
| | | | | | | | | | | | | | | | - | 31 | - | 29 | 28 | - | 26 | - | - | 23 | 22 | - | - | - | - | - | |
| | | | | - | - | 14 | - | 12 | 11 | - | - | - | 7 | - | - | 4 | - | - | - | - | | | | | | | | | | | |
| MX123 CONN ASSY 73 CKT BLK OPT0 KEY A/36 | 345661743 | C-HSG-A0 | G-CAP-0-P | TPA-A0 | RS | LS | MAL | CPA | MSEAL | RSEAL | 72 | 71 | - | 69 | 68 | - | - | - | 64 | 63 | 62 | 61 | 60 | 59 | - | - | 56 | - | 54 | 53 | |
| | | | | | | | | | | | 52 | 51 | 50 | - | 48 | - | 46 | 45 | - | - | - | - | 40 | - | 38 | - | 36 | - | 34 | 33 | |
| | | | | | | | | | | | | | | | - | 31 | - | 29 | 28 | - | 26 | - | - | 23 | 22 | - | - | - | - | - | |
| | | | | - | - | 14 | - | 12 | 11 | - | - | - | 7 | - | - | 4 | - | - | - | - | | | | | | | | | | | |

| ASSEMBLY DESCRIPTION | ASSEMBLY PART NUMBER | CONNECTOR HOUSING | GROMMET CAP | TPA | RIGHT SLIDE | LEFT SLIDE | MATE ASSIST LEVER | CPA | MAT SEAL | RING SEAL | BLOCKED TERMINALS | | | | | | | | | | | | | | | | | | | | STATUS | COMMENTS | INTEGRAL COMPONENTS SOLD SEPARATELY |
|--|----------------------|-------------------|-------------|--------|-------------|------------|-------------------|-----|----------|-----------|--|----|----|----|----|----|----|----|----|----|----|----|----|----|----|----|----|----|----|----------|----------|-----------|-------------------------------------|
| | | | | | | | | | | | CAVITY WITH A NUMBER INDICATES BLOCKED TERMINAL POSITION | | | | | | | | | | | | | | | | | | | | | | DRESS COVER |
| | | | | | | | | | | | CAVITY WITHOUT A NUMBER INDICATES OPEN TERMINAL POSITION | | | | | | | | | | | | | | | | | | | | | | |
| MX123 CONN ASSY 73 CKT BLK OPT0 KEY A/40 | 345661753 | C-HSG-A0 | G-CAP-0-P | TPA-A0 | RS | LS | MAL | CPA | MSEAL | RSEAL | 72 | 71 | - | 69 | 68 | - | - | - | 64 | 63 | 62 | 61 | 60 | 59 | - | - | 56 | - | 54 | 53 | SALEABLE | | 345650003 |
| | | | | | | | | | | | 52 | 51 | 50 | - | 48 | - | 46 | 45 | - | - | - | - | 40 | - | 38 | - | 36 | - | 34 | 33 | | | |
| | | | | | | | | | | | | | | | - | 31 | 30 | 29 | 28 | - | 26 | - | - | 23 | 22 | - | - | - | - | - | | | |
| MX123 CONN ASSY 73 CKT GRY OPT0 KEY B/31 | 345661763 | C-HSG-B0 | G-CAP-0-P | TPA-B0 | RS | LS | MAL | CPA | MSEAL | RSEAL | 72 | 71 | 70 | 69 | 68 | - | 66 | - | 64 | 63 | 62 | - | - | - | - | 56 | 55 | - | - | SALEABLE | | 345650003 | |
| | | | | | | | | | | | 52 | - | - | - | - | - | - | - | 44 | - | 42 | 41 | - | - | 38 | - | 36 | 35 | - | | | | - |
| | | | | | | | | | | | | | | | - | - | - | 29 | 28 | 27 | - | 25 | - | - | - | - | - | 19 | 18 | | | | 17 |
| MX123 CONN ASSY 73 CKT BLU OPT0 KEY C/41 | 345661773 | C-HSG-C0 | G-CAP-0-P | TPA-C0 | RS | LS | MAL | CPA | MSEAL | RSEAL | - | 71 | - | 69 | 68 | - | - | 65 | 64 | - | - | 61 | 60 | - | 58 | - | 56 | 55 | 54 | - | SALEABLE | | 345650003 |
| | | | | | | | | | | | - | - | 50 | 49 | 48 | 47 | - | 45 | - | 43 | - | 41 | - | - | 38 | 37 | 36 | 35 | - | - | | | |
| | | | | | | | | | | | | | | | 32 | 31 | - | 29 | 28 | - | - | - | 24 | 23 | - | - | - | 19 | 18 | 17 | | | |
| MX123 CONN ASSY 73 CKT BLU OPT0 KEY C/42 | 345661783 | C-HSG-C0 | G-CAP-0-P | TPA-C0 | RS | LS | MAL | CPA | MSEAL | RSEAL | - | 71 | - | 69 | 68 | - | - | 65 | 64 | - | - | 61 | 60 | - | 58 | - | 56 | 55 | 54 | - | SALEABLE | | 345650003 |
| | | | | | | | | | | | - | - | 50 | 49 | 48 | 47 | - | 45 | - | 43 | - | 41 | - | - | 38 | 37 | 36 | 35 | - | - | | | |
| | | | | | | | | | | | | | | | 32 | 31 | - | 29 | 28 | 27 | - | - | 24 | 23 | - | - | - | 19 | 18 | 17 | | | |
| MX123 CONN ASSY 73 CKT BLK OPT0 KEY A/38 | 345661793 | C-HSG-A0 | G-CAP-0-P | TPA-A0 | RS | LS | MAL | CPA | MSEAL | RSEAL | 72 | 71 | 70 | - | 68 | 67 | 66 | 65 | 64 | - | - | - | 60 | 59 | - | - | - | - | - | - | SALEABLE | | 345650003 |
| | | | | | | | | | | | - | - | 50 | - | 48 | 47 | 46 | 45 | - | 43 | - | 41 | - | - | 38 | 37 | 36 | 35 | - | - | | | |
| | | | | | | | | | | | | | | | - | 31 | 30 | - | - | - | - | 25 | 24 | 23 | 22 | 21 | 20 | - | - | 17 | | | |
| MX123 CONN ASSY 73 CKT NAT OPT9 KEY F/73 | 345661803 | C-HSG-F9 | G-CAP-9-P | TPA-F9 | RS | LS | MAL | CPA | MSEAL | RSEAL | - | - | - | - | - | - | - | - | - | - | - | - | - | - | - | - | - | - | - | SALEABLE | | 345650003 | |
| | | | | | | | | | | | - | - | - | - | - | - | - | - | - | - | - | - | - | - | - | - | - | - | - | | | | - |
| | | | | | | | | | | | | | | | - | - | - | - | - | - | - | - | - | - | - | - | - | - | - | | | | - |
| MX123 CONN ASSY 73 CKT GRY OPT0 KEY B/24 | 345661813 | C-HSG-B0 | G-CAP-0-P | TPA-B0 | RS | LS | MAL | CPA | MSEAL | RSEAL | - | - | - | 69 | - | - | - | 65 | 64 | 63 | - | - | - | - | - | - | - | - | - | SALEABLE | | 345650003 | |
| | | | | | | | | | | | - | - | - | 49 | - | - | - | 45 | 44 | 43 | - | - | - | - | - | - | - | - | - | | | | - |
| | | | | | | | | | | | | | | | - | - | - | - | - | - | - | - | - | - | 22 | 21 | 20 | 19 | 18 | | | | 17 |
| MX123 CONN ASSY 73 CKT BLK OPT0 KEY A/25 | 345661823 | C-HSG-A0 | G-CAP-0-P | TPA-A0 | RS | LS | MAL | CPA | MSEAL | RSEAL | - | - | - | - | - | 67 | - | - | - | 63 | 62 | - | 60 | - | - | 57 | - | 55 | - | - | SALEABLE | | 345650003 |
| | | | | | | | | | | | - | 51 | - | - | 48 | - | 46 | 45 | 44 | 43 | - | 40 | 39 | - | - | - | 35 | - | - | | | | |
| | | | | | | | | | | | | | | | - | - | - | - | - | - | - | 25 | - | - | - | - | - | - | - | | | | |
| MX123 CONN ASSY 73 CKT BLK OPT0 KEY A/38 | 345661833 | C-HSG-A0 | G-CAP-0-P | TPA-A0 | RS | LS | MAL | CPA | MSEAL | RSEAL | 72 | 71 | 70 | 69 | - | 67 | 66 | - | 64 | - | 62 | - | 60 | - | - | 57 | - | 55 | 54 | 53 | SALEABLE | | 345650003 |
| | | | | | | | | | | | - | 51 | - | 49 | 48 | - | 46 | 45 | 44 | 43 | 42 | - | 40 | 39 | - | - | - | 35 | - | - | | | |
| | | | | | | | | | | | | | | | - | - | - | - | - | - | 26 | - | - | - | 22 | 21 | - | - | - | - | | | |
| MX123 CONN ASSY 73 CKT BLK OPT0 KEY A/33 | 345661843 | C-HSG-A0 | G-CAP-0-P | TPA-A0 | RS | LS | MAL | CPA | MSEAL | RSEAL | 72 | 71 | 70 | 69 | - | 67 | 66 | - | 64 | - | 62 | - | 60 | - | - | 57 | - | 55 | 54 | - | SALEABLE | | 345650003 |
| | | | | | | | | | | | - | 51 | - | 49 | 48 | - | 46 | 45 | 44 | 43 | 42 | - | 40 | 39 | - | - | - | - | - | - | | | |
| | | | | | | | | | | | | | | | - | - | - | - | - | - | 26 | 25 | - | - | - | - | - | - | - | - | | | |
| MX123 CONN ASSY 73 CKT BLK OPT0 KEY A/22 | 345661853 | C-HSG-A0 | G-CAP-0-P | TPA-A0 | RS | LS | MAL | CPA | MSEAL | RSEAL | - | 71 | - | - | - | - | 66 | - | 64 | - | 62 | - | - | 59 | 58 | - | - | - | - | - | SALEABLE | | 345650003 |
| | | | | | | | | | | | - | 51 | - | - | - | - | 46 | 45 | - | 42 | - | - | 39 | 38 | - | - | - | - | - | - | | | |
| | | | | | | | | | | | | | | | 32 | 31 | - | - | - | 27 | 26 | - | - | 23 | 22 | - | - | - | - | - | | | |
| MX123 CONN ASSY 73 CKT GRY OPT0 KEY B/56 | 345661863 | C-HSG-B0 | G-CAP-0-P | TPA-B0 | RS | LS | MAL | CPA | MSEAL | RSEAL | 72 | 71 | 70 | 69 | - | - | - | - | - | - | 62 | 61 | 60 | 59 | 58 | 57 | 56 | 55 | 54 | 53 | SALEABLE | | 345650003 |
| | | | | | | | | | | | 52 | 51 | 50 | 49 | 48 | 47 | - | - | 44 | - | 42 | 41 | 40 | 39 | 38 | 37 | 36 | 35 | 34 | 33 | | | |
| | | | | | | | | | | | | | | | - | 31 | - | - | - | - | 26 | 25 | 24 | 23 | 22 | 21 | 20 | 19 | 18 | - | | | |

| ASSEMBLY DESCRIPTION | ASSEMBLY PART NUMBER | CONNECTOR HOUSING | GROMMET CAP | TPA | RIGHT SLIDE | LEFT SLIDE | MATE ASSIST LEVER | CPA | MAT SEAL | RING SEAL | BLOCKED TERMINALS | | | | | | | | | | | | | | | | | | STATUS | COMMENTS | INTEGRAL COMPONENTS SOLD SEPARATELY | | | | | | |
|--|----------------------|-------------------|-------------|--------|-------------|------------|-------------------|-----|----------|-----------|--|----|----|----|----|----|----|----|----|----|----|----|----|----|----|----|----|----|--------|----------|-------------------------------------|----|----|----|----|----|----|
| | | | | | | | | | | | CAVITY WITH A NUMBER INDICATES BLOCKED TERMINAL POSITION | | | | | | | | | | | | | | | | | | | | DRESS COVER | | | | | | |
| | | | | | | | | | | | CAVITY WITHOUT A NUMBER INDICATES OPEN TERMINAL POSITION | | | | | | | | | | | | | | | | | | | | | | | | | | |
| MX123 CONN ASSY 73 CKT BLU OPT0 KEY C/40 | 345661873 | C-HSG-C0 | G-CAP-0-P | TPA-C0 | RS | LS | MAL | CPA | MSEAL | RSEAL | - | 71 | - | 69 | 68 | - | - | 65 | 64 | - | - | 61 | 60 | - | 58 | - | 56 | 55 | 54 | - | | | | | | | |
| | | | | | | | | | | | - | - | 50 | 49 | 48 | 47 | - | 45 | - | 43 | - | 41 | - | - | 38 | 37 | 36 | 35 | - | - | | | | | | | |
| | | | | | | | | | | | | | | | | | | | | | | - | 31 | - | 29 | 28 | - | - | - | 24 | 23 | - | - | - | 19 | 18 | 17 |
| | | | | | | | | | | | | | | | | | | | | | | 16 | - | - | 13 | 12 | 11 | - | - | 8 | 7 | - | - | - | 3 | 2 | 1 |
| MX123 CONN ASSY 73 CKT BLK OPT0 KEY A/34 | 345661883 | C-HSG-A0 | G-CAP-0-P | TPA-A0 | RS | LS | MAL | CPA | MSEAL | RSEAL | 72 | 71 | - | 69 | - | - | - | - | 64 | 63 | 62 | 61 | 60 | 59 | - | - | 56 | - | 54 | 53 | | | | | | | |
| | | | | | | | | | | | 52 | 51 | 50 | - | 48 | - | 46 | 45 | - | - | - | - | - | 38 | - | 36 | - | 34 | 33 | | | | | | | | |
| | | | | | | | | | | | | | | | | | | | | | | - | 31 | - | 29 | 28 | - | 26 | - | - | 23 | 22 | - | - | - | - | - |
| | | | | | | | | | | | | | | | | | | | | | | - | - | 14 | - | 12 | 11 | - | - | - | 7 | - | - | 4 | - | - | - |
| MX123 CONN ASSY 73 CKT BLU OPT0 KEY C/42 | 345661893 | C-HSG-C0 | G-CAP-0-P | TPA-C0 | RS | LS | MAL | CPA | MSEAL | RSEAL | - | 71 | - | 69 | 68 | 67 | - | 65 | 64 | - | 62 | 61 | 60 | - | 58 | - | 56 | 55 | 54 | - | | | | | | | |
| | | | | | | | | | | | - | - | 50 | 49 | 48 | 47 | - | 45 | - | 43 | - | 41 | - | - | 38 | 37 | 36 | 35 | - | - | | | | | | | |
| | | | | | | | | | | | | | | | | | | | | | | - | 31 | - | 29 | 28 | - | - | - | 24 | 23 | - | - | - | 19 | 18 | 17 |
| | | | | | | | | | | | | | | | | | | | | | | 16 | - | - | 13 | 12 | 11 | - | - | 8 | 7 | - | - | - | 3 | 2 | 1 |
| MX123 CONN ASSY 73 CKT GRY OPT0 KEY B/42 | 345661913 | C-HSG-B0 | G-CAP-0-P | TPA-B0 | RS | LS | MAL | CPA | MSEAL | RSEAL | - | 71 | - | 69 | - | 67 | - | 65 | 64 | 63 | 62 | 61 | - | - | 58 | 57 | 56 | - | - | - | | | | | | | |
| | | | | | | | | | | | - | 51 | - | 49 | - | 47 | - | 45 | 44 | 43 | 42 | 41 | - | - | 38 | 37 | 36 | - | - | - | | | | | | | |
| | | | | | | | | | | | | | | | | | | | | | | - | - | - | - | - | - | - | - | 23 | 22 | 21 | 20 | 19 | 18 | 17 | |
| | | | | | | | | | | | | | | | | | | | | | | - | 15 | 14 | 13 | 12 | 11 | - | - | - | 7 | 6 | 5 | 4 | 3 | 2 | 1 |
| MX123 CONN ASSY 73 CKT BLK OPT0 KEY A/46 | 345661923 | C-HSG-A0 | G-CAP-0-P | TPA-A0 | RS | LS | MAL | CPA | MSEAL | RSEAL | 72 | 71 | 70 | - | 68 | 67 | 66 | 65 | 64 | - | 62 | 61 | 60 | 59 | - | 57 | - | - | - | - | | | | | | | |
| | | | | | | | | | | | - | - | 50 | - | 48 | 47 | 46 | 45 | - | - | - | - | 40 | 39 | 38 | 37 | - | - | - | - | | | | | | | |
| | | | | | | | | | | | | | | | | | | | | | | - | 31 | 30 | 29 | - | 27 | - | 25 | 24 | 23 | 22 | 21 | 20 | - | - | 17 |
| | | | | | | | | | | | | | | | | | | | | | | - | 15 | 14 | 13 | - | 11 | - | 9 | 8 | 7 | 6 | 5 | 4 | - | 2 | 1 |
| MX123 CONN ASSY 73 CKT BLK OPT0 KEY A/35 | 345661933 | C-HSG-A0 | G-CAP-0-P | TPA-A0 | RS | LS | MAL | CPA | MSEAL | RSEAL | 72 | 71 | - | 69 | 68 | - | - | - | 64 | 63 | 62 | 61 | 60 | 59 | - | - | 56 | - | 54 | 53 | | | | | | | |
| | | | | | | | | | | | 52 | 51 | 50 | - | 48 | - | 46 | 45 | - | - | - | - | - | 38 | - | 36 | - | 34 | 33 | | | | | | | | |
| | | | | | | | | | | | | | | | | | | | | | | - | 31 | - | 29 | 28 | - | 26 | - | - | 23 | 22 | - | - | - | - | - |
| | | | | | | | | | | | | | | | | | | | | | | - | - | 14 | - | 12 | 11 | - | - | - | 7 | - | - | 4 | - | - | - |
| MX123 CONN ASSY 73 CKT BLK OPT0 KEY A/34 | 345661943 | C-HSG-A0 | G-CAP-0-P | TPA-A0 | RS | LS | MAL | CPA | MSEAL | RSEAL | 72 | 71 | - | 69 | 68 | - | - | - | 64 | 63 | 62 | 61 | 60 | 59 | - | - | 56 | - | 54 | 53 | | | | | | | |
| | | | | | | | | | | | 52 | - | 50 | - | 48 | - | 46 | 45 | - | - | - | - | - | 38 | - | 36 | - | 34 | 33 | | | | | | | | |
| | | | | | | | | | | | | | | | | | | | | | | - | 31 | - | 29 | 28 | - | 26 | - | - | 23 | 22 | - | - | - | - | - |
| | | | | | | | | | | | | | | | | | | | | | | - | - | 14 | - | 12 | 11 | - | - | - | 7 | - | - | 4 | - | - | - |
| MX123 CONN ASSY 73 CKT BLU OPT0 KEY C/42 | 345661953 | C-HSG-C0 | G-CAP-0-P | TPA-C0 | RS | LS | MAL | CPA | MSEAL | RSEAL | - | 71 | - | 69 | 68 | 67 | - | 65 | 64 | - | 62 | 61 | 60 | - | 58 | - | 56 | 55 | 54 | - | | | | | | | |
| | | | | | | | | | | | - | - | 50 | 49 | - | - | - | 45 | - | 43 | - | 41 | - | - | 38 | 37 | 36 | 35 | - | - | | | | | | | |
| | | | | | | | | | | | | | | | | | | | | | | 32 | 31 | - | 29 | 28 | 27 | - | - | 24 | 23 | - | - | - | 19 | 18 | 17 |
| | | | | | | | | | | | | | | | | | | | | | | 16 | - | - | 13 | 12 | 11 | - | - | 8 | 7 | - | - | - | 3 | 2 | 1 |
| MX123 CONN ASSY 73 CKT BLU OPT0 KEY C/44 | 345661963 | C-HSG-C0 | G-CAP-0-P | TPA-C0 | RS | LS | MAL | CPA | MSEAL | RSEAL | - | 71 | - | 69 | 68 | 67 | - | 65 | 64 | - | 62 | 61 | 60 | - | 58 | - | 56 | 55 | 54 | - | | | | | | | |
| | | | | | | | | | | | - | - | 50 | 49 | 48 | 47 | - | 45 | - | 43 | - | 41 | - | - | 38 | 37 | 36 | 35 | - | - | | | | | | | |
| | | | | | | | | | | | | | | | | | | | | | | 32 | 31 | - | 29 | 28 | 27 | - | - | 24 | 23 | - | - | - | 19 | 18 | 17 |
| | | | | | | | | | | | | | | | | | | | | | | 16 | - | - | 13 | 12 | 11 | - | - | 8 | 7 | - | - | - | 3 | 2 | 1 |
| MX123 CONN ASSY 73 CKT BLK OPT0 KEY A/43 | 345661973 | C-HSG-A0 | G-CAP-0-P | TPA-A0 | RS | LS | MAL | CPA | MSEAL | RSEAL | 72 | 71 | 70 | - | 68 | 67 | 66 | 65 | 64 | - | 62 | 61 | 60 | 59 | 58 | 57 | - | - | - | - | | | | | | | |
| | | | | | | | | | | | - | - | 50 | - | 48 | 47 | 46 | 45 | - | - | - | - | 40 | 39 | 38 | 37 | - | - | - | - | | | | | | | |
| | | | | | | | | | | | | | | | | | | | | | | - | 31 | 30 | 29 | - | 27 | - | 25 | 24 | - | 22 | - | 20 | - | - | 17 |
| | | | | | | | | | | | | | | | | | | | | | | - | 15 | 14 | 13 | - | 11 | - | 9 | - | 7 | 6 | - | 4 | - | 2 | 1 |
| MX123 CONN ASSY 73 CKT GRY OPT0 KEY B/73 | 345661983 | C-HSG-B0 | G-CAP-0-P | TPA-B0 | RS | LS | MAL | CPA | MSEAL | RSEAL | 72 | 71 | 70 | 69 | 68 | 67 | 66 | 65 | 64 | 63 | 62 | 61 | 60 | 59 | 58 | 57 | 56 | 55 | 54 | 53 | | | | | | | |
| | | | | | | | | | | | 52 | 51 | 50 | 49 | 48 | 47 | 46 | 45 | 44 | 43 | 42 | 41 | 40 | 39 | 38 | 37 | 36 | 35 | 34 | 33 | | | | | | | |
| | | | | | | | | | | | | | | | | | | | | | | 32 | 31 | 30 | 29 | 28 | 27 | 26 | 25 | 24 | 23 | 22 | 21 | 20 | 19 | 18 | 17 |
| | | | | | | | | | | | | | | | | | | | | | | 16 | 15 | 14 | 13 | 12 | 11 | 10 | 9 | 8 | 7 | 6 | 5 | 4 | 3 | 2 | 1 |
| MX123 CONN ASSY 73 CKT BLU OPT0 KEY C/73 | 345661993 | C-HSG-C0 | G-CAP-0-P | TPA-C0 | RS | LS | MAL | CPA | MSEAL | RSEAL | 72 | 71 | 70 | 69 | 68 | 67 | 66 | 65 | 64 | 63 | 62 | 61 | 60 | 59 | 58 | 57 | 56 | 55 | 54 | 53 | | | | | | | |
| | | | | | | | | | | | 52 | 51 | 50 | 49 | 48 | 47 | 46 | 45 | 44 | 43 | 42 | 41 | 40 | 39 | 38 | 37 | 36 | 35 | 34 | 33 | | | | | | | |
| | | | | | | | | | | | | | | | | | | | | | | 32 | 31 | 30 | 29 | 28 | 27 | 26 | 25 | 24 | 23 | 22 | 21 | 20 | 19 | 18 | 17 |
| | | | | | | | | | | | | | | | | | | | | | | 16 | 15 | 14 | 13 | 12 | 11 | 10 | 9 | 8 | 7 | 6 | 5 | 4 | 3 | 2 | 1 |

| ASSEMBLY DESCRIPTION | ASSEMBLY PART NUMBER | CONNECTOR HOUSING | GROMMET CAP | TPA | RIGHT SLIDE | LEFT SLIDE | MATE ASSIST LEVER | CPA | MAT SEAL | RING SEAL | BLOCKED TERMINALS | | | | | | | | | | | | | | | | STATUS | COMMENTS | INTEGRAL COMPONENTS SOLD SEPARATELY | | | | | | | | | | | | | |
|--|----------------------|-------------------|-------------|--------|-------------|------------|-------------------|-----|----------|-----------|--|----|----|----|----|----|----|----|----|----|----|----|----|----|----|----|--------|----------|-------------------------------------|----|----|----|----|----|---|----|----|----|---|----|----|----|
| | | | | | | | | | | | CAVITY WITH A NUMBER INDICATES BLOCKED TERMINAL POSITION | | | | | | | | | | | | | | | | | | DRESS COVER | | | | | | | | | | | | | |
| | | | | | | | | | | | CAVITY WITHOUT A NUMBER INDICATES OPEN TERMINAL POSITION | | | | | | | | | | | | | | | | | | | | | | | | | | | | | | | |
| MX123 CONN ASSY 73 CKT BLK OPT0 KEY A/31 | 345662013 | C-HSG-A0 | G-CAP-0-P | TPA-A0 | RS | LS | MAL | CPA | MSEAL | RSEAL | 72 | - | - | 69 | 68 | 67 | 66 | - | 64 | 63 | 62 | 61 | - | - | - | - | 56 | 55 | - | - | | | | | | | | | | | | |
| | | | | | | | | | | | 52 | - | - | - | - | 47 | - | - | 44 | - | 42 | - | - | - | 38 | - | - | - | 34 | - | | | | | | | | | | | | |
| | | | | | | | | | | | - | | | | | | | | | | | | | | | | - | - | 14 | - | - | - | - | - | - | - | - | 3 | 2 | 1 | | |
| | | | | | | | | | | | - | | | | | | | | | | | | | | | | - | - | - | - | - | - | - | - | - | - | - | - | - | - | - | - |
| MX123 CONN ASSY 73 CKT BLK OPT0 KEY A/38 | 345662023 | C-HSG-A0 | G-CAP-0-P | TPA-A0 | RS | LS | MAL | CPA | MSEAL | RSEAL | 72 | 71 | - | 69 | - | - | - | - | 64 | 63 | 62 | 61 | 60 | 59 | - | - | 56 | - | 54 | 53 | | | | | | | | | | | | |
| | | | | | | | | | | | 52 | 51 | 50 | - | 48 | - | 46 | 45 | - | - | - | - | 40 | - | 38 | - | 36 | - | 34 | 33 | | | | | | | | | | | | |
| | | | | | | | | | | | - | | | | | | | | | | | | | | | | - | 31 | - | 29 | 28 | - | 26 | - | - | 23 | 22 | - | - | - | - | |
| | | | | | | | | | | | - | | | | | | | | | | | | | | | | 16 | - | 14 | - | 12 | 11 | 10 | - | - | 7 | - | - | 4 | - | 2 | - |
| MX123 CONN ASSY 73 CKT BLK OPT0 KEY A/27 | 345662033 | C-HSG-A0 | G-CAP-0-P | TPA-A0 | RS | LS | MAL | CPA | MSEAL | RSEAL | 72 | - | - | 69 | 68 | 67 | 66 | - | - | 63 | 62 | 61 | - | - | - | - | 56 | - | - | - | | | | | | | | | | | | |
| | | | | | | | | | | | 52 | - | - | - | - | 47 | - | - | 44 | - | 42 | - | - | - | 38 | - | - | - | 34 | - | | | | | | | | | | | | |
| | | | | | | | | | | | - | | | | | | | | | | | | | | | | - | - | - | 29 | 28 | 27 | 26 | 25 | - | - | - | 21 | - | 19 | 18 | 17 |
| | | | | | | | | | | | - | | | | | | | | | | | | | | | | - | - | 14 | - | - | - | - | - | - | - | - | - | - | - | - | - |
| MX123 CONN ASSY 73 CKT BLK OPT0 KEY A/39 | 345662043 | C-HSG-A0 | G-CAP-0-P | TPA-A0 | RS | LS | MAL | CPA | MSEAL | RSEAL | 72 | 71 | - | 69 | 68 | - | - | - | 64 | 63 | 62 | 61 | 60 | 59 | - | - | 56 | - | 54 | 53 | | | | | | | | | | | | |
| | | | | | | | | | | | 52 | 51 | 50 | - | 48 | - | 46 | 45 | - | - | - | - | 40 | - | 38 | - | 36 | - | 34 | 33 | | | | | | | | | | | | |
| | | | | | | | | | | | - | | | | | | | | | | | | | | | | - | 31 | - | 29 | 28 | - | 26 | - | - | 23 | 22 | - | - | - | - | |
| | | | | | | | | | | | - | | | | | | | | | | | | | | | | 16 | - | 14 | - | 12 | 11 | 10 | - | - | 7 | - | - | 4 | - | 2 | - |
| MX123 CONN ASSY 73 CKT GRY OPT0 KEY B/41 | 345662053 | C-HSG-B0 | G-CAP-0-P | TPA-B0 | RS | LS | MAL | CPA | MSEAL | RSEAL | 72 | 71 | - | 69 | - | - | - | - | 64 | 63 | 62 | 61 | 60 | 59 | - | - | 56 | - | 54 | 53 | | | | | | | | | | | | |
| | | | | | | | | | | | 52 | 51 | 50 | - | 48 | - | 46 | 45 | - | - | - | - | 40 | - | 38 | - | 36 | 35 | 34 | 33 | | | | | | | | | | | | |
| | | | | | | | | | | | - | | | | | | | | | | | | | | | | - | 31 | - | 29 | 28 | - | 26 | - | - | - | 22 | - | - | - | - | 17 |
| | | | | | | | | | | | - | | | | | | | | | | | | | | | | 16 | 15 | 14 | - | 12 | 11 | 10 | 9 | - | 7 | - | - | 4 | - | 2 | - |
| MX123 CONN ASSY 73 CKT BLK OPT0 KEY A/37 | 345662093 | C-HSG-A0 | G-CAP-0-P | TPA-A0 | RS | LS | MAL | CPA | MSEAL | RSEAL | 72 | 71 | 70 | 69 | - | 67 | 66 | - | 64 | - | 62 | - | 60 | - | - | 57 | - | 55 | 54 | 53 | | | | | | | | | | | | |
| | | | | | | | | | | | - | 51 | - | 49 | 48 | - | 46 | 45 | 44 | 43 | 42 | - | 40 | 39 | - | - | - | 35 | - | - | | | | | | | | | | | | |
| | | | | | | | | | | | - | | | | | | | | | | | | | | | | - | - | - | - | - | - | 26 | - | - | - | 22 | 21 | - | - | - | - |
| | | | | | | | | | | | - | | | | | | | | | | | | | | | | - | 15 | 14 | - | - | - | - | - | 8 | 7 | 6 | 5 | 4 | 3 | 2 | - |
| MX123 CONN ASSY 73 CKT GRY OPT0 KEY B/27 | 345662133 | C-HSG-B0 | G-CAP-0-P | TPA-B0 | RS | LS | MAL | CPA | MSEAL | RSEAL | 72 | - | - | 69 | 68 | 67 | 66 | - | - | 63 | 62 | 61 | - | - | - | - | 56 | - | - | - | | | | | | | | | | | | |
| | | | | | | | | | | | 52 | - | - | - | - | 47 | - | - | 44 | - | 42 | - | - | - | 38 | - | - | - | 34 | - | | | | | | | | | | | | |
| | | | | | | | | | | | - | | | | | | | | | | | | | | | | - | - | - | 29 | 28 | 27 | 26 | 25 | - | - | - | 21 | - | 19 | 18 | 17 |
| | | | | | | | | | | | - | | | | | | | | | | | | | | | | - | - | 14 | - | - | - | - | - | - | - | - | - | - | - | - | - |
| MX123 CONN ASSY 73 CKT GRY OPT0 KEY B/31 | 345662143 | C-HSG-B0 | G-CAP-0-P | TPA-B0 | RS | LS | MAL | CPA | MSEAL | RSEAL | 72 | - | - | 69 | 68 | 67 | 66 | - | 64 | 63 | 62 | 61 | - | - | - | - | 56 | 55 | - | - | | | | | | | | | | | | |
| | | | | | | | | | | | 52 | - | - | - | - | 47 | - | - | 44 | - | 42 | - | - | - | 38 | - | - | - | 34 | - | | | | | | | | | | | | |
| | | | | | | | | | | | - | | | | | | | | | | | | | | | | - | - | - | 29 | 28 | 27 | 26 | 25 | - | - | - | 21 | - | 19 | 18 | 17 |
| | | | | | | | | | | | - | | | | | | | | | | | | | | | | - | - | 14 | - | - | - | - | - | - | - | - | - | - | - | 3 | 2 |
| MX123 CONN ASSY 73 CKT BLK OPT0 KEY A/41 | 345662153 | C-HSG-A0 | G-CAP-0-P | TPA-A0 | RS | LS | MAL | CPA | MSEAL | RSEAL | 72 | 71 | - | 69 | - | - | - | - | 64 | 63 | 62 | 61 | 60 | 59 | - | - | 56 | - | 54 | 53 | | | | | | | | | | | | |
| | | | | | | | | | | | 52 | 51 | 50 | - | 48 | - | 46 | 45 | - | - | - | - | 40 | - | 38 | - | 36 | 35 | 34 | 33 | | | | | | | | | | | | |
| | | | | | | | | | | | - | | | | | | | | | | | | | | | | - | 31 | - | 29 | 28 | - | 26 | - | - | - | 22 | - | - | - | - | 17 |
| | | | | | | | | | | | - | | | | | | | | | | | | | | | | 16 | 15 | 14 | - | 12 | 11 | 10 | 9 | - | 7 | - | - | 4 | - | 2 | - |
| MX123 CONN ASSY 73 CKT BLK OPT0 KEY A/40 | 345662163 | C-HSG-A0 | G-CAP-0-P | TPA-A0 | RS | LS | MAL | CPA | MSEAL | RSEAL | 72 | 71 | - | 69 | 68 | - | - | 65 | 64 | 63 | 62 | - | 60 | 59 | - | 57 | 56 | - | - | 53 | | | | | | | | | | | | |
| | | | | | | | | | | | 52 | 51 | 50 | - | 48 | - | 46 | - | - | - | - | - | 40 | - | 38 | - | 36 | 35 | - | 33 | | | | | | | | | | | | |
| | | | | | | | | | | | - | | | | | | | | | | | | | | | | - | 31 | 30 | 29 | 28 | - | 26 | 25 | - | 23 | 22 | - | - | - | - | - |
| | | | | | | | | | | | - | | | | | | | | | | | | | | | | 16 | - | 14 | - | 12 | - | 10 | - | 8 | 7 | - | - | 4 | - | 2 | - |
| MX123 CONN ASSY 73 CKT BLK OPT0 KEY A/36 | 345662173 | C-HSG-A0 | G-CAP-0-P | TPA-A0 | RS | LS | MAL | CPA | MSEAL | RSEAL | 72 | 71 | - | 69 | 68 | - | - | - | 64 | 63 | 62 | - | 60 | 59 | - | 57 | 56 | - | - | 53 | | | | | | | | | | | | |
| | | | | | | | | | | | 52 | 51 | 50 | - | 48 | - | 46 | - | - | - | - | - | 40 | - | 38 | - | 36 | 35 | - | 33 | | | | | | | | | | | | |
| | | | | | | | | | | | - | | | | | | | | | | | | | | | | - | 31 | - | 29 | 28 | - | 26 | - | - | 23 | 22 | - | - | - | - | - |
| | | | | | | | | | | | - | | | | | | | | | | | | | | | | 16 | - | 14 | - | 12 | - | 10 | - | - | 7 | - | - | 4 | - | 2 | - |
| MX123 CONN ASSY 73 CKT BLK OPT0 KEY A/44 | 345662183 | C-HSG-A0 | G-CAP-0-P | TPA-A0 | RS | LS | MAL | CPA | MSEAL | RSEAL | 72 | 71 | - | 69 | 68 | - | - | 65 | 64 | 63 | 62 | 61 | 60 | 59 | - | - | 56 | - | 54 | 53 | | | | | | | | | | | | |
| | | | | | | | | | | | 52 | 51 | 50 | - | 48 | - | 46 | 45 | - | - | - | - | 40 | - | 38 | - | 36 | 35 | 34 | 33 | | | | | | | | | | | | |
| | | | | | | | | | | | - | | | | | | | | | | | | | | | | - | 31 | 30 | 29 | 28 | - | 26 | 25 | - | 23 | 22 | - | - | - | - | - |
| | | | | | | | | | | | - | | | | | | | | | | | | | | | | 16 | - | 14 | - | 12 | 11 | 10 | - | 8 | 7 | - | - | 4 | - | 2 | - |

| ASSEMBLY DESCRIPTION | ASSEMBLY PART NUMBER | CONNECTOR HOUSING | GROMMET CAP | TPA | RIGHT SLIDE | LEFT SLIDE | MATE ASSIST LEVER | CPA | MAT SEAL | RING SEAL | BLOCKED TERMINALS | | | | | | | | | | | | | | | | | | | | STATUS | COMMENTS | INTEGRAL COMPONENTS SOLD SEPARATELY |
|--|----------------------|-------------------|-------------|--------|-------------|------------|-------------------|-----|----------|-----------|--|----|----|----|----|----|----|----|----|----|----|----|----|----|----|----|----|----|----|----------|----------|-----------|-------------------------------------|
| | | | | | | | | | | | CAVITY WITH A NUMBER INDICATES BLOCKED TERMINAL POSITION | | | | | | | | | | | | | | | | | | | | | | DRESS COVER |
| | | | | | | | | | | | CAVITY WITHOUT A NUMBER INDICATES OPEN TERMINAL POSITION | | | | | | | | | | | | | | | | | | | | | | |
| MX123 CONN ASSY 73 CKT BLK OPT0 KEY A/40 | 345662193 | C-HSG-A0 | G-CAP-0-P | TPA-A0 | RS | LS | MAL | CPA | MSEAL | RSEAL | 72 | 71 | - | 69 | 68 | - | - | - | 64 | 63 | 62 | 61 | 60 | 59 | - | - | 56 | - | 54 | 53 | SALEABLE | | 345650003 |
| | | | | | | | | | | | 52 | 51 | 50 | - | 48 | - | 46 | 45 | - | - | - | - | 40 | - | 38 | - | 36 | 35 | 34 | 33 | | | |
| | | | | | | | | | | | | | | | - | 31 | - | 29 | 28 | - | 26 | - | - | 23 | 22 | - | - | - | - | - | | | |
| MX123 CONN ASSY 73 CKT BLK OPT0 KEY A/24 | 345662223 | C-HSG-A0 | G-CAP-0-P | TPA-A0 | RS | LS | MAL | CPA | MSEAL | RSEAL | - | - | - | - | - | - | - | 65 | - | - | - | 61 | - | - | 58 | 57 | 56 | - | - | - | SALEABLE | | 345650003 |
| | | | | | | | | | | | - | 51 | 50 | - | - | 47 | - | 45 | - | - | - | 41 | - | - | 38 | 37 | 36 | - | - | - | | | |
| | | | | | | | | | | | | | | | - | 31 | 30 | - | 28 | - | 26 | 25 | - | - | 22 | 21 | 20 | - | - | - | | | |
| MX123 CONN ASSY 73 CKT BLK OPT0 KEY A/48 | 345662233 | C-HSG-A0 | G-CAP-0-P | TPA-A0 | RS | LS | MAL | CPA | MSEAL | RSEAL | 72 | 71 | 70 | - | 68 | 67 | 66 | 65 | 64 | - | 62 | 61 | 60 | 59 | - | 57 | - | 55 | - | 53 | SALEABLE | | 345650003 |
| | | | | | | | | | | | - | - | 50 | - | 48 | 47 | 46 | 45 | - | - | - | - | 40 | 39 | 38 | 37 | - | - | - | - | | | |
| | | | | | | | | | | | | | | | - | 31 | 30 | 29 | - | 27 | - | 25 | 24 | 23 | 22 | 21 | 20 | - | - | 17 | | | |
| MX123 CONN ASSY 73 CKT BLK OPT0 KEY A/24 | 345662253 | C-HSG-A0 | G-CAP-0-P | TPA-A0 | RS | LS | MAL | CPA | MSEAL | RSEAL | - | - | - | - | - | 67 | - | - | - | - | 62 | - | 60 | - | - | 57 | - | 55 | - | - | SALEABLE | | 345650003 |
| | | | | | | | | | | | - | 51 | - | - | 48 | - | 46 | 45 | 44 | 43 | - | - | 40 | 39 | - | - | - | 35 | - | - | | | |
| | | | | | | | | | | | | | | | - | - | - | - | - | - | - | 25 | - | - | - | - | - | - | - | - | | | |
| MX123 CONN ASSY 73 CKT BLK OPT0 KEY A/44 | 345662263 | C-HSG-A0 | G-CAP-0-P | TPA-A0 | RS | LS | MAL | CPA | MSEAL | RSEAL | 72 | 71 | 70 | - | 68 | 67 | 66 | 65 | 64 | - | 62 | 61 | 60 | 59 | - | 57 | - | - | - | - | SALEABLE | | 345650003 |
| | | | | | | | | | | | - | - | - | - | 48 | 47 | 46 | 45 | - | - | - | - | 40 | 39 | 38 | 37 | - | - | - | - | | | |
| | | | | | | | | | | | | | | | - | 31 | 30 | 29 | - | 27 | - | 25 | 24 | 23 | 22 | 21 | 20 | - | - | 17 | | | |
| MX123 CONN ASSY 73 CKT BLK OPT0 KEY A/36 | 345662273 | C-HSG-A0 | G-CAP-0-P | TPA-A0 | RS | LS | MAL | CPA | MSEAL | RSEAL | 72 | 71 | 70 | - | 68 | 67 | 66 | 65 | 64 | - | - | - | 60 | 59 | - | - | - | - | - | SALEABLE | | 345650003 | |
| | | | | | | | | | | | - | - | - | - | 48 | 47 | 46 | 45 | - | - | - | - | 40 | 39 | 38 | - | - | - | - | | | | - |
| | | | | | | | | | | | | | | | - | 31 | 30 | - | - | - | - | 25 | 24 | 23 | 22 | 21 | 20 | - | - | | | | 17 |
| MX123 CONN ASSY 73 CKT GRY OPT0 KEY B/52 | 345662283 | C-HSG-B0 | G-CAP-0-P | TPA-B0 | RS | LS | MAL | CPA | MSEAL | RSEAL | 72 | 71 | 70 | 69 | - | - | - | - | - | - | 62 | 61 | 60 | 59 | 58 | 57 | 56 | - | 54 | 53 | SALEABLE | | 345650003 |
| | | | | | | | | | | | 52 | 51 | 50 | - | - | 47 | - | - | - | - | 42 | 41 | 40 | 39 | 38 | 37 | 36 | 35 | 34 | 33 | | | |
| | | | | | | | | | | | | | | | - | 31 | - | - | - | - | 26 | 25 | 24 | 23 | 22 | 21 | 20 | 19 | 18 | - | | | |
| MX123 CONN ASSY 73 CKT BLU OPT0 KEY C/44 | 345662293 | C-HSG-C0 | G-CAP-0-P | TPA-C0 | RS | LS | MAL | CPA | MSEAL | RSEAL | - | 71 | - | 69 | - | 67 | - | 65 | 64 | - | 62 | 61 | 60 | - | 58 | - | 56 | 55 | 54 | - | SALEABLE | | 345650003 |
| | | | | | | | | | | | - | - | 50 | 49 | - | - | - | 45 | - | 43 | - | 41 | - | - | 38 | 37 | 36 | 35 | - | - | | | |
| | | | | | | | | | | | | | | | 32 | 31 | - | 29 | 28 | 27 | - | - | 24 | 23 | - | - | 20 | 19 | 18 | 17 | | | |
| MX123 CONN ASSY 73 CKT BLU OPT0 KEY C/47 | 345662313 | C-HSG-C0 | G-CAP-0-P | TPA-C0 | RS | LS | MAL | CPA | MSEAL | RSEAL | - | 71 | - | 69 | 68 | 67 | - | 65 | 64 | - | 62 | 61 | 60 | - | 58 | - | 56 | 55 | 54 | - | SALEABLE | | 345650003 |
| | | | | | | | | | | | - | - | 50 | 49 | 48 | 47 | - | 45 | - | 43 | - | 41 | - | - | 38 | 37 | 36 | 35 | - | - | | | |
| | | | | | | | | | | | | | | | 32 | 31 | - | 29 | 28 | 27 | - | - | 24 | 23 | - | - | 20 | 19 | 18 | 17 | | | |
| MX123 CONN ASSY 73 CKT BLU OPT0 KEY C/41 | 345662323 | C-HSG-C0 | G-CAP-0-P | TPA-C0 | RS | LS | MAL | CPA | MSEAL | RSEAL | - | 71 | - | 69 | - | 67 | - | 65 | 64 | - | 62 | 61 | 60 | - | 58 | - | 56 | 55 | 54 | - | SALEABLE | | 345650003 |
| | | | | | | | | | | | - | - | 50 | 49 | - | - | - | 45 | - | 43 | - | 41 | - | - | 38 | 37 | 36 | 35 | - | - | | | |
| | | | | | | | | | | | | | | | 32 | 31 | - | 29 | 28 | 27 | - | - | 24 | 23 | - | - | 20 | 19 | 18 | 17 | | | |
| MX123 CONN ASSY 73 CKT BLK OPT0 KEY A/33 | 345662333 | C-HSG-A0 | G-CAP-0-P | TPA-A0 | RS | LS | MAL | CPA | MSEAL | RSEAL | 72 | - | 70 | - | - | 67 | 66 | - | - | - | 62 | - | 60 | - | 58 | - | - | 55 | 54 | 53 | SALEABLE | | 345650003 |
| | | | | | | | | | | | - | 51 | - | - | 48 | - | 46 | 45 | 44 | 43 | 42 | - | 40 | - | - | - | - | 35 | - | - | | | |
| | | | | | | | | | | | | | | | - | - | - | - | - | - | 26 | 25 | - | - | - | 21 | - | - | - | 17 | | | |
| MX123 CONN ASSY 73 CKT BLK OPT0 KEY A/36 | 345662343 | C-HSG-A0 | G-CAP-0-P | TPA-A0 | RS | LS | MAL | CPA | MSEAL | RSEAL | - | 71 | - | 69 | - | - | - | - | 64 | 63 | 62 | 61 | 60 | 59 | - | - | 56 | - | 54 | 53 | SALEABLE | | 345650003 |
| | | | | | | | | | | | 52 | 51 | 50 | - | 48 | - | 46 | 45 | - | - | - | - | 40 | - | 38 | - | 36 | - | 34 | 33 | | | |
| | | | | | | | | | | | | | | | - | 31 | - | 29 | 28 | - | 26 | - | - | 23 | 22 | - | - | - | - | - | | | |

| ASSEMBLY DESCRIPTION | ASSEMBLY PART NUMBER | CONNECTOR HOUSING | GROMMET CAP | TPA | RIGHT SLIDE | LEFT SLIDE | MATE ASSIST LEVER | CPA | MAT SEAL | RING SEAL | BLOCKED TERMINALS | | | | | | | | | | | | | | | | | | | STATUS | COMMENTS | INTEGRAL COMPONENTS SOLD SEPARATELY | | |
|--|----------------------|-------------------|-------------|--------|-------------|------------|-------------------|-----|----------|-----------|--|----|----|----|----|----|----|----|----|----|----|----|----|----|----|----|----|----|----|----------|----------|-------------------------------------|-----------|----|
| | | | | | | | | | | | CAVITY WITH A NUMBER INDICATES BLOCKED TERMINAL POSITION | | | | | | | | | | | | | | | | | | | | | DRESS COVER | | |
| | | | | | | | | | | | CAVITY WITHOUT A NUMBER INDICATES OPEN TERMINAL POSITION | | | | | | | | | | | | | | | | | | | | | | | |
| MX123 CONN ASSY 73 CKT BLK OPT0 KEY A/37 | 345662353 | C-HSG-A0 | G-CAP-0-P | TPA-A0 | RS | LS | MAL | CPA | MSEAL | RSEAL | - | 71 | - | 69 | 68 | - | - | - | 64 | 63 | 62 | 61 | 60 | 59 | - | - | 56 | - | 54 | 53 | SALEABLE | | 345650003 | |
| | | | | | | | | | | | 52 | 51 | 50 | - | 48 | - | 46 | 45 | - | - | - | - | 40 | - | 38 | - | 36 | - | 34 | 33 | | | | |
| | | | | | | | | | | | - | | | | | | | | | | | | | | | | | | | 16 | | | | - |
| MX123 CONN ASSY 73 CKT BLU OPT0 KEY C/39 | 345662363 | C-HSG-C0 | G-CAP-0-P | TPA-C0 | RS | LS | MAL | CPA | MSEAL | RSEAL | - | 71 | - | 69 | 68 | - | - | 65 | 64 | - | - | 61 | 60 | - | 58 | - | 56 | 55 | 54 | - | SALEABLE | | 345650003 | |
| | | | | | | | | | | | - | - | 50 | 49 | 48 | 47 | - | 45 | - | 43 | - | 41 | - | - | - | 37 | 36 | 35 | - | - | | | | |
| | | | | | | | | | | | - | | | | | | | | | | | | | | | | | | | 16 | | | | - |
| MX123 CONN ASSY 73 CKT GRY OPT0 KEY B/21 | 345662373 | C-HSG-B0 | G-CAP-0-P | TPA-B0 | RS | LS | MAL | CPA | MSEAL | RSEAL | 72 | 71 | 70 | 69 | - | - | - | - | 63 | 62 | - | - | - | - | - | 56 | - | - | - | SALEABLE | | 345650003 | | |
| | | | | | | | | | | | 52 | - | - | - | - | - | - | - | 44 | - | - | - | - | - | - | 36 | - | - | - | | | | - | |
| | | | | | | | | | | | - | | | | | | | | | | | | | | | | | | | | | | 16 | - |
| MX123 CONN ASSY 73 CKT GRY OPT0 KEY B/50 | 345662383 | C-HSG-B0 | G-CAP-0-P | TPA-B0 | RS | LS | MAL | CPA | MSEAL | RSEAL | 72 | 71 | 70 | 69 | 68 | 67 | 66 | - | 64 | 63 | 62 | 61 | 60 | - | 58 | - | 56 | - | 54 | - | SALEABLE | | 345650003 | |
| | | | | | | | | | | | 52 | 51 | - | - | - | 47 | - | 45 | 44 | 43 | 42 | 41 | 40 | - | 38 | - | 36 | - | 34 | - | | | | |
| | | | | | | | | | | | - | | | | | | | | | | | | | | | | | | | 16 | | | | - |
| MX123 CONN ASSY 73 CKT GRY OPT0 KEY B/50 | 345662393 | C-HSG-B0 | G-CAP-0-P | TPA-B0 | RS | LS | MAL | CPA | MSEAL | RSEAL | 72 | 71 | 70 | 69 | 68 | 67 | 66 | 65 | 64 | 63 | 62 | 61 | 60 | - | 58 | - | 56 | - | 54 | - | SALEABLE | | 345650003 | |
| | | | | | | | | | | | 52 | 51 | - | - | - | 47 | - | 45 | 44 | 43 | 42 | 41 | 40 | - | 38 | - | 36 | - | 34 | - | | | | |
| | | | | | | | | | | | - | | | | | | | | | | | | | | | | | | | 16 | | | | - |
| MX123 CONN ASSY 73 CKT BLK OPT0 KEY A/38 | 345662413 | C-HSG-A0 | G-CAP-0-P | TPA-A0 | RS | LS | MAL | CPA | MSEAL | RSEAL | - | 71 | - | 69 | 68 | - | - | - | 64 | 63 | 62 | 61 | 60 | 59 | - | - | 56 | - | 54 | 53 | SALEABLE | | 345650003 | |
| | | | | | | | | | | | 52 | 51 | 50 | - | 48 | - | 46 | 45 | - | - | - | - | 40 | - | 38 | - | 36 | - | 34 | 33 | | | | |
| | | | | | | | | | | | - | | | | | | | | | | | | | | | | | | | 16 | | | | - |
| MX123 CONN ASSY 73 CKT BLK OPT0 KEY A/44 | 345662423 | C-HSG-A0 | G-CAP-0-P | TPA-A0 | RS | LS | MAL | CPA | MSEAL | RSEAL | 72 | 71 | 70 | 69 | 68 | 67 | 66 | 65 | 64 | - | 62 | 61 | 60 | 59 | - | - | - | - | - | - | SALEABLE | | 345650003 | |
| | | | | | | | | | | | - | - | 50 | - | 48 | 47 | 46 | 45 | - | - | - | - | 40 | 39 | 38 | 37 | - | - | - | - | | | | - |
| | | | | | | | | | | | - | | | | | | | | | | | | | | | | | | | 15 | | | | 14 |
| MX123 CONN ASSY 73 CKT BLK OPT0 KEY A/44 | 345662433 | C-HSG-A0 | G-CAP-0-P | TPA-A0 | RS | LS | MAL | CPA | MSEAL | RSEAL | 72 | 71 | 70 | - | 68 | 67 | 66 | 65 | 64 | - | 62 | 61 | 60 | 59 | 58 | 57 | - | - | - | - | SALEABLE | | 345650003 | |
| | | | | | | | | | | | - | - | 50 | - | 48 | 47 | 46 | 45 | - | - | - | - | 40 | 39 | 38 | 37 | - | - | - | - | | | | - |
| | | | | | | | | | | | - | | | | | | | | | | | | | | | | | | | 15 | | | | 14 |
| MX123 CONN ASSY 73 CKT BLU OPT0 KEY C/40 | 345662443 | C-HSG-C0 | G-CAP-0-P | TPA-C0 | RS | LS | MAL | CPA | MSEAL | RSEAL | - | 71 | - | 69 | - | 67 | - | 65 | 64 | - | 62 | 61 | 60 | - | 58 | - | 56 | 55 | 54 | - | SALEABLE | | 345650003 | |
| | | | | | | | | | | | - | - | 50 | 49 | - | - | - | 45 | - | 43 | 42 | 41 | - | - | 38 | 37 | 36 | 35 | - | - | | | | |
| | | | | | | | | | | | - | | | | | | | | | | | | | | | | | | | 16 | | | | - |
| MX123 CONN ASSY 73 CKT BLK OPT0 KEY A/36 | 345662453 | C-HSG-A0 | G-CAP-0-P | TPA-A0 | RS | LS | MAL | CPA | MSEAL | RSEAL | 72 | - | 70 | - | 68 | 67 | 66 | - | - | - | 62 | 61 | 60 | 59 | - | - | - | - | - | SALEABLE | | 345650003 | | |
| | | | | | | | | | | | - | - | 50 | - | 48 | 47 | 46 | - | - | - | - | - | 40 | 39 | 38 | - | - | - | - | | | | - | |
| | | | | | | | | | | | - | | | | | | | | | | | | | | | | | | | | | | 15 | 14 |
| MX123 CONN ASSY 73 CKT BLK OPT0 KEY A/36 | 345662463 | C-HSG-A0 | G-CAP-0-P | TPA-A0 | RS | LS | MAL | CPA | MSEAL | RSEAL | 72 | - | 70 | - | 68 | 67 | 66 | - | - | - | 62 | 61 | 60 | 59 | 58 | - | - | - | - | SALEABLE | | 345650003 | | |
| | | | | | | | | | | | - | - | 50 | - | 48 | 47 | 46 | - | - | - | - | - | 40 | 39 | 38 | - | - | - | - | | | | - | |
| | | | | | | | | | | | - | | | | | | | | | | | | | | | | | | | | | | 15 | 14 |
| MX123 CONN ASSY 73 CKT BLK OPT0 KEY A/37 | 345662473 | C-HSG-A0 | G-CAP-0-P | TPA-A0 | RS | LS | MAL | CPA | MSEAL | RSEAL | 72 | 71 | - | 69 | - | - | - | - | 64 | 63 | 62 | 61 | 60 | 59 | - | - | 56 | - | 54 | 53 | SALEABLE | | 345650003 | |
| | | | | | | | | | | | 52 | 51 | 50 | - | 48 | - | 46 | 45 | - | - | - | - | 40 | - | 38 | - | 36 | - | 34 | 33 | | | | |
| | | | | | | | | | | | - | | | | | | | | | | | | | | | | | | | 16 | | | | - |

| ASSEMBLY DESCRIPTION | ASSEMBLY PART NUMBER | CONNECTOR HOUSING | GROMMET CAP | TPA | RIGHT SLIDE | LEFT SLIDE | MATE ASSIST LEVER | CPA | MAT SEAL | RING SEAL | BLOCKED TERMINALS | | | | | | | | | | | | | | | | | | STATUS | COMMENTS | INTEGRAL COMPONENTS SOLD SEPARATELY | | | | | | | | | | | |
|--|----------------------|-------------------|-------------|--------|-------------|------------|-------------------|-----|----------|-----------|--|----|----|----|----|----|----|----|----|----|----|----|----|----|----|----|----|----|--------|----------|-------------------------------------|---|---|---|---|---|---|---|---|---|---|---|
| | | | | | | | | | | | CAVITY WITH A NUMBER INDICATES BLOCKED TERMINAL POSITION | | | | | | | | | | | | | | | | | | | | DRESS COVER | | | | | | | | | | | |
| | | | | | | | | | | | CAVITY WITHOUT A NUMBER INDICATES OPEN TERMINAL POSITION | | | | | | | | | | | | | | | | | | | | | | | | | | | | | | | |
| MX123 CONN ASSY 73 CKT BLK OPT0 KEY A/36 | 345662483 | C-HSG-A0 | G-CAP-0-P | TPA-A0 | RS | LS | MAL | CPA | MSEAL | RSEAL | 72 | 71 | 70 | - | 68 | 67 | 66 | 65 | 64 | - | - | - | 60 | 59 | - | - | - | - | - | - | - | - | - | - | - | - | - | - | | | | |
| | | | | | | | | | | | | | | | | | | | | | | | | | | | | | | | | | | | | | | | | | | |
| | | | | | | | | | | | | | | | | | | | | | | | | | | | | | | | | | | | | | | | | | | |
| | | | | | | | | | | | | | | | | | | | | | | | | | | | | | | | | | | | | | | | | | | |
| MX123 CONN ASSY 73 CKT GRY OPT0 KEY B/23 | 345662493 | C-HSG-B0 | G-CAP-0-P | TPA-B0 | RS | LS | MAL | CPA | MSEAL | RSEAL | - | - | - | 69 | - | - | - | 65 | 64 | 63 | - | - | - | - | - | - | - | - | - | - | - | - | - | - | - | - | - | - | - | | | |
| | | | | | | | | | | | | | | | | | | | | | | | | | | | | | | | | | | | | | | | | | | |
| | | | | | | | | | | | | | | | | | | | | | | | | | | | | | | | | | | | | | | | | | | |
| | | | | | | | | | | | | | | | | | | | | | | | | | | | | | | | | | | | | | | | | | | |
| MX123 CONN ASSY 73 CKT BLK OPT0 KEY A/33 | 345662503 | C-HSG-A0 | G-CAP-0-P | TPA-A0 | RS | LS | MAL | CPA | MSEAL | RSEAL | 52 | 51 | - | 70 | - | - | - | 65 | - | - | - | 61 | 60 | - | 58 | 57 | - | 55 | 54 | - | - | - | - | - | - | - | - | - | | | | |
| | | | | | | | | | | | | | | | | | | | | | | | | | | | | | | | | | | | | | | | | | | |
| | | | | | | | | | | | | | | | | | | | | | | | | | | | | | | | | | | | | | | | | | | |
| | | | | | | | | | | | | | | | | | | | | | | | | | | | | | | | | | | | | | | | | | | |
| MX123 CONN ASSY 73 CKT BLU OPT0 KEY C/37 | 345662513 | C-HSG-C0 | G-CAP-0-P | TPA-C0 | RS | LS | MAL | CPA | MSEAL | RSEAL | - | 71 | - | 69 | - | - | - | 65 | 64 | - | - | 61 | 60 | - | 58 | - | 56 | 55 | 54 | - | - | - | - | - | - | - | - | - | - | - | | |
| | | | | | | | | | | | | | | | | | | | | | | | | | | | | | | | | | | | | | | | | | | |
| | | | | | | | | | | | | | | | | | | | | | | | | | | | | | | | | | | | | | | | | | | |
| | | | | | | | | | | | | | | | | | | | | | | | | | | | | | | | | | | | | | | | | | | |
| MX123 CONN ASSY 73 CKT BLK OPT0 KEY A/21 | 345662523 | C-HSG-A0 | G-CAP-0-P | TPA-A0 | RS | LS | MAL | CPA | MSEAL | RSEAL | - | - | - | - | - | - | - | - | - | - | - | 61 | - | - | 58 | 57 | 56 | - | - | - | - | - | - | - | - | - | - | - | - | - | | |
| | | | | | | | | | | | | | | | | | | | | | | | | | | | | | | | | | | | | | | | | | | |
| | | | | | | | | | | | | | | | | | | | | | | | | | | | | | | | | | | | | | | | | | | |
| | | | | | | | | | | | | | | | | | | | | | | | | | | | | | | | | | | | | | | | | | | |
| MX123 CONN ASSY 73 CKT GRY OPT0 KEY B/34 | 345662533 | C-HSG-B0 | G-CAP-0-P | TPA-B0 | RS | LS | MAL | CPA | MSEAL | RSEAL | 72 | 71 | 70 | 69 | 68 | - | - | - | 64 | - | 62 | 61 | 60 | - | - | - | - | - | - | - | - | - | - | - | - | - | - | - | - | - | | |
| | | | | | | | | | | | | | | | | | | | | | | | | | | | | | | | | | | | | | | | | | | |
| | | | | | | | | | | | | | | | | | | | | | | | | | | | | | | | | | | | | | | | | | | |
| | | | | | | | | | | | | | | | | | | | | | | | | | | | | | | | | | | | | | | | | | | |
| MX123 CONN ASSY 73 CKT BLU OPT0 KEY C/45 | 345662543 | C-HSG-C0 | G-CAP-0-P | TPA-C0 | RS | LS | MAL | CPA | MSEAL | RSEAL | - | 71 | - | 69 | 68 | 67 | - | 65 | 64 | - | 62 | 61 | 60 | - | 58 | - | 56 | 55 | 54 | - | - | - | - | - | - | - | - | - | - | - | | |
| | | | | | | | | | | | | | | | | | | | | | | | | | | | | | | | | | | | | | | | | | | |
| | | | | | | | | | | | | | | | | | | | | | | | | | | | | | | | | | | | | | | | | | | |
| | | | | | | | | | | | | | | | | | | | | | | | | | | | | | | | | | | | | | | | | | | |
| MX123 CONN ASSY 73 CKT GRY OPT9 KEY B/24 | 345662553 | C-HSG-B9 | G-CAP-9-P | TPA-B9 | RS | LS | MAL | CPA | MSEAL | RSEAL | - | - | - | 69 | - | - | - | 65 | 64 | 63 | - | - | - | - | - | - | - | - | - | - | - | - | - | - | - | - | - | - | - | - | - | |
| | | | | | | | | | | | | | | | | | | | | | | | | | | | | | | | | | | | | | | | | | | |
| | | | | | | | | | | | | | | | | | | | | | | | | | | | | | | | | | | | | | | | | | | |
| | | | | | | | | | | | | | | | | | | | | | | | | | | | | | | | | | | | | | | | | | | |
| MX123 CONN ASSY 73 CKT BLK OPT9 KEY A/36 | 345662563 | C-HSG-A9 | G-CAP-9-P | TPA-A9 | RS | LS | MAL | CPA | MSEAL | RSEAL | 72 | 71 | 70 | - | 68 | 67 | 66 | 65 | 64 | - | - | - | 60 | 59 | - | - | - | - | - | - | - | - | - | - | - | - | - | - | - | - | - | - |
| | | | | | | | | | | | | | | | | | | | | | | | | | | | | | | | | | | | | | | | | | | |
| | | | | | | | | | | | | | | | | | | | | | | | | | | | | | | | | | | | | | | | | | | |
| | | | | | | | | | | | | | | | | | | | | | | | | | | | | | | | | | | | | | | | | | | |
| MX123 CONN ASSY 73 CKT BLU OPT9 KEY C/42 | 345662573 | C-HSG-C9 | G-CAP-9-P | TPA-C9 | RS | LS | MAL | CPA | MSEAL | RSEAL | - | 71 | - | 69 | 68 | 67 | - | 65 | 64 | - | 61 | 60 | - | 58 | - | 56 | 55 | 54 | - | - | - | - | - | - | - | - | - | - | - | - | - | |
| | | | | | | | | | | | | | | | | | | | | | | | | | | | | | | | | | | | | | | | | | | |
| | | | | | | | | | | | | | | | | | | | | | | | | | | | | | | | | | | | | | | | | | | |
| | | | | | | | | | | | | | | | | | | | | | | | | | | | | | | | | | | | | | | | | | | |
| MX123 CONN ASSY 73 CKT BLK OPT0 KEY A/43 | 345662583 | C-HSG-A0 | G-CAP-0-P | TPA-A0 | RS | LS | MAL | CPA | MSEAL | RSEAL | 72 | 71 | 70 | - | 68 | 67 | 66 | 65 | 64 | - | 62 | 61 | 60 | 59 | - | 57 | - | - | - | - | - | - | - | - | - | - | - | - | - | - | - | - |
| | | | | | | | | | | | | | | | | | | | | | | | | | | | | | | | | | | | | | | | | | | |
| | | | | | | | | | | | | | | | | | | | | | | | | | | | | | | | | | | | | | | | | | | |
| | | | | | | | | | | | | | | | | | | | | | | | | | | | | | | | | | | | | | | | | | | |
| MX123 CONN ASSY 73 CKT BLU OPT0 KEY C/44 | 345662593 | C-HSG-C0 | G-CAP-0-P | TPA-C0 | RS | LS | MAL | CPA | MSEAL | RSEAL | - | 71 | - | 69 | 68 | 67 | - | 65 | 64 | - | 61 | 60 | - | 58 | - | 56 | 55 | 54 | - | - | - | - | - | - | - | - | - | - | - | - | - | |
| | | | | | | | | | | | | | | | | | | | | | | | | | | | | | | | | | | | | | | | | | | |
| | | | | | | | | | | | | | | | | | | | | | | | | | | | | | | | | | | | | | | | | | | |
| | | | | | | | | | | | | | | | | | | | | | | | | | | | | | | | | | | | | | | | | | | |

| ASSEMBLY DESCRIPTION | ASSEMBLY PART NUMBER | CONNECTOR HOUSING | GROMMET CAP | TPA | RIGHT SLIDE | LEFT SLIDE | MATE ASSIST LEVER | CPA | MAT SEAL | RING SEAL | BLOCKED TERMINALS | | | | | | | | | | | | | | | | | | | | STATUS | COMMENTS | INTEGRAL COMPONENTS SOLD SEPARATELY | |
|--|----------------------|-------------------|-------------|--------|-------------|------------|-------------------|-----|----------|-----------|--|----|----|----|----|----|----|----|----|----|----|----|----|----|----|----|----|----|----|----------|----------|-----------|-------------------------------------|-----------|
| | | | | | | | | | | | CAVITY WITH A NUMBER INDICATES BLOCKED TERMINAL POSITION | | | | | | | | | | | | | | | | | | | | | | DRESS COVER | |
| | | | | | | | | | | | CAVITY WITHOUT A NUMBER INDICATES OPEN TERMINAL POSITION | | | | | | | | | | | | | | | | | | | | | | | |
| MX123 CONN ASSY 73 CKT GRY OPT0 KEY B/53 | 345662603 | C-HSG-B0 | G-CAP-0-P | TPA-B0 | RS | LS | MAL | CPA | MSEAL | RSEAL | 72 | 71 | 70 | 69 | 68 | - | - | - | 64 | 63 | 62 | 61 | 60 | - | 58 | - | 56 | - | 54 | - | SALEABLE | | 345650003 | |
| | | | | | | | | | | | 52 | 51 | 50 | - | - | - | 46 | 45 | - | 43 | 42 | 41 | 40 | - | 38 | - | 36 | - | 34 | - | | | | |
| | | | | | | | | | | | | | | | 32 | 31 | 30 | - | - | 27 | 26 | 25 | 24 | - | 22 | - | 20 | 19 | 18 | 17 | | | | |
| | | | | | | | | | | | | | | | 16 | 15 | 14 | 13 | 12 | 11 | 10 | 9 | 8 | - | 6 | 5 | 4 | 3 | 2 | 1 | | | | |
| MX123 CONN ASSY 73 CKT BLU OPT9 KEY C/41 | 345662613 | C-HSG-C0 | G-CAP-9-P | TPA-C0 | RS | LS | MAL | CPA | MSEAL | RSEAL | - | 71 | - | 69 | 68 | - | - | 65 | 64 | - | - | 61 | 60 | - | 58 | - | 56 | 55 | 54 | - | SALEABLE | | 345650003 | |
| | | | | | | | | | | | - | - | 50 | 49 | 48 | 47 | - | 45 | - | 43 | - | 41 | - | - | 38 | 37 | 36 | 35 | - | - | | | | |
| | | | | | | | | | | | | | | | 32 | 31 | - | 29 | 28 | - | - | - | 24 | 23 | - | - | - | 19 | 18 | 17 | | | | |
| | | | | | | | | | | | | | | | 16 | - | - | 13 | 12 | 11 | - | - | 8 | 7 | - | - | - | 3 | 2 | 1 | | | | |
| MX123 CONN ASSY 73 CKT BLK OPT0 KEY A/34 | 345662623 | C-HSG-A0 | G-CAP-0-P | TPA-A0 | RS | LS | MAL | CPA | MSEAL | RSEAL | 72 | - | 70 | - | - | - | 66 | - | - | - | 62 | - | 60 | - | 58 | - | - | 55 | 54 | 53 | SALEABLE | | 345650003 | |
| | | | | | | | | | | | 52 | 51 | - | - | 48 | - | 46 | 45 | 44 | 43 | 42 | - | 40 | 39 | - | - | - | 35 | - | - | | | | |
| | | | | | | | | | | | | | | | - | - | - | - | - | - | 26 | 25 | - | - | 22 | 21 | - | - | - | 17 | | | | |
| | | | | | | | | | | | | | | | - | 15 | 14 | - | - | - | - | - | 8 | - | 6 | 5 | - | 3 | 2 | 1 | | | | |
| MX123 CONN ASSY 73 CKT BLK OPT0 KEY A/38 | 345662633 | C-HSG-A0 | G-CAP-0-P | TPA-A0 | RS | LS | MAL | CPA | MSEAL | RSEAL | 72 | - | 70 | - | - | - | 66 | - | - | - | 63 | 62 | - | 60 | - | 58 | - | - | 55 | 54 | 53 | SALEABLE | | 345650003 |
| | | | | | | | | | | | 52 | 51 | - | - | 48 | - | 46 | 45 | 44 | 43 | 42 | - | 40 | 39 | - | - | - | 35 | 34 | - | | | | |
| | | | | | | | | | | | | | | | - | - | - | - | - | - | 26 | 25 | - | - | 22 | 21 | - | - | - | 17 | | | | |
| | | | | | | | | | | | | | | | - | 15 | 14 | 13 | 12 | - | - | - | 8 | - | 6 | 5 | - | 3 | 2 | 1 | | | | |
| MX123 CONN ASSY 73 CKT BLK OPT0 KEY A/32 | 345662643 | C-HSG-A0 | G-CAP-0-P | TPA-A0 | RS | LS | MAL | CPA | MSEAL | RSEAL | 72 | - | 70 | - | - | - | 66 | - | - | - | 62 | - | 60 | - | 58 | - | - | 55 | 54 | 53 | SALEABLE | | 345650003 | |
| | | | | | | | | | | | 52 | 51 | - | - | 48 | - | 46 | 45 | 44 | 43 | 42 | - | 40 | - | - | - | 35 | - | - | | | | | |
| | | | | | | | | | | | | | | | - | - | - | - | - | - | 26 | 25 | - | - | 21 | - | - | - | 17 | | | | | |
| | | | | | | | | | | | | | | | - | 15 | 14 | - | - | - | - | - | 8 | - | 6 | 5 | - | 3 | 2 | 1 | | | | |
| MX123 CONN ASSY 73 CKT BLK OPT0 KEY A/36 | 345662653 | C-HSG-A0 | G-CAP-0-P | TPA-A0 | RS | LS | MAL | CPA | MSEAL | RSEAL | 72 | - | 70 | - | - | - | 66 | - | - | - | 63 | 62 | - | 60 | - | 58 | - | - | 55 | 54 | 53 | SALEABLE | | 345650003 |
| | | | | | | | | | | | 52 | 51 | - | - | 48 | - | 46 | 45 | 44 | 43 | 42 | - | 40 | - | - | - | 35 | 34 | - | | | | | |
| | | | | | | | | | | | | | | | - | - | - | - | - | - | 26 | 25 | - | - | 21 | - | - | - | 17 | | | | | |
| | | | | | | | | | | | | | | | - | 15 | 14 | 13 | 12 | - | - | - | 8 | - | 6 | 5 | - | 3 | 2 | 1 | | | | |
| MX123 CONN ASSY 73 CKT GRY OPT0 KEY B/27 | 345662693 | C-HSG-B0 | G-CAP-0-P | TPA-B0 | RS | LS | MAL | CPA | MSEAL | RSEAL | 72 | - | - | 69 | - | 67 | - | - | - | 64 | 63 | 62 | 61 | - | - | - | 56 | 55 | - | - | SALEABLE | | 345650003 | |
| | | | | | | | | | | | 52 | - | - | - | - | 47 | - | - | 44 | - | - | - | - | - | - | - | - | 34 | - | - | | | | |
| | | | | | | | | | | | | | | | - | - | - | 29 | 28 | 27 | 26 | 25 | - | - | 21 | - | 19 | 18 | 17 | | | | | |
| | | | | | | | | | | | | | | | - | - | 14 | - | - | - | - | - | - | - | - | - | 3 | 2 | 1 | | | | | |
| MX123 CONN ASSY 73 CKT GRY OPT0 KEY B/55 | 345662703 | C-HSG-B0 | G-CAP-0-P | TPA-B0 | RS | LS | MAL | CPA | MSEAL | RSEAL | 72 | 71 | 70 | 69 | 68 | 67 | 66 | - | 64 | 63 | 62 | 61 | 60 | - | 58 | - | 56 | - | 54 | - | SALEABLE | | 345650003 | |
| | | | | | | | | | | | 52 | 51 | 50 | - | - | - | 46 | 45 | - | 43 | 42 | 41 | 40 | - | 38 | - | 36 | - | 34 | - | | | | |
| | | | | | | | | | | | | | | | 32 | 31 | 30 | - | - | 27 | 26 | 25 | 24 | - | 22 | - | 20 | 19 | 18 | 17 | | | | |
| | | | | | | | | | | | | | | | 16 | 15 | 14 | 13 | 12 | 11 | 10 | 9 | 8 | - | 6 | 5 | 4 | 3 | 2 | 1 | | | | |
| MX123 CONN ASSY 73 CKT BLK OPT0 KEY A/33 | 345662713 | C-HSG-A0 | G-CAP-0-P | TPA-A0 | RS | LS | MAL | CPA | MSEAL | RSEAL | 72 | 71 | 70 | - | - | 67 | 66 | - | - | - | 62 | - | - | - | - | 57 | - | 55 | 54 | 53 | SALEABLE | | 345650003 | |
| | | | | | | | | | | | - | 51 | - | - | 48 | - | 46 | 45 | 44 | 43 | 42 | - | 40 | 39 | - | - | - | 35 | - | - | | | | |
| | | | | | | | | | | | | | | | - | - | - | - | - | - | 26 | - | - | - | 22 | 21 | - | - | - | - | | | | |
| | | | | | | | | | | | | | | | - | 15 | 14 | - | - | - | - | - | 8 | 7 | 6 | 5 | 4 | 3 | 2 | - | | | | |
| MX123 CONN ASSY 73 CKT GRY OPT0 KEY B/20 | 345662723 | C-HSG-B0 | G-CAP-0-P | TPA-B0 | RS | LS | MAL | CPA | MSEAL | RSEAL | 72 | - | - | 69 | - | 67 | - | - | - | - | 62 | 61 | - | - | - | - | - | - | - | SALEABLE | | 345650003 | | |
| | | | | | | | | | | | 52 | - | - | - | - | 47 | - | - | 44 | - | - | - | - | - | - | - | - | 34 | - | | | | - | |
| | | | | | | | | | | | | | | | - | - | - | 29 | 28 | 27 | 26 | 25 | - | - | 21 | - | - | 18 | 17 | | | | | |
| | | | | | | | | | | | | | | | - | - | 14 | - | - | - | - | - | - | - | - | - | - | - | 1 | | | | | |
| MX123 CONN ASSY 73 CKT BLK OPT0 KEY A/35 | 345662733 | C-HSG-A0 | G-CAP-0-P | TPA-A0 | RS | LS | MAL | CPA | MSEAL | RSEAL | 72 | 71 | - | 69 | - | - | - | - | 64 | 63 | 62 | 61 | 60 | 59 | - | - | 56 | - | 54 | 53 | SALEABLE | | 345650003 | |
| | | | | | | | | | | | 52 | 51 | 50 | - | 48 | - | 46 | 45 | - | - | - | - | 40 | - | 38 | - | 36 | 35 | 34 | 33 | | | | |
| | | | | | | | | | | | | | | | - | 31 | - | 29 | 28 | - | 26 | - | - | - | 22 | - | - | - | - | - | | | | |
| | | | | | | | | | | | | | | | - | - | 14 | - | 12 | 11 | - | - | - | 7 | - | - | 4 | - | - | - | | | | |
| MX123 CONN ASSY 73 CKT BLU OPT0 KEY C/41 | 345662743 | C-HSG-C0 | G-CAP-0-P | TPA-C0 | RS | LS | MAL | CPA | MSEAL | RSEAL | - | 71 | - | 69 | 68 | - | - | 65 | 64 | - | - | 61 | 60 | - | 58 | - | 56 | 55 | 54 | - | SALEABLE | | 345650003 | |
| | | | | | | | | | | | - | - | 50 | 49 | 48 | 47 | - | 45 | - | 43 | - | 41 | - | - | 38 | 37 | 36 | 35 | - | - | | | | |
| | | | | | | | | | | | | | | | - | 31 | - | 29 | 28 | 27 | - | - | 24 | 23 | - | - | - | 19 | 18 | 17 | | | | |
| | | | | | | | | | | | | | | | 16 | - | - | 13 | 12 | 11 | - | - | 8 | 7 | - | - | - | 3 | 2 | 1 | | | | |

| ASSEMBLY DESCRIPTION | ASSEMBLY PART NUMBER | CONNECTOR HOUSING | GROMMET CAP | TPA | RIGHT SLIDE | LEFT SLIDE | MATE ASSIST LEVER | CPA | MAT SEAL | RING SEAL | BLOCKED TERMINALS | | | | | | | | | | | | | | | | | | | | STATUS | COMMENTS | INTEGRAL COMPONENTS SOLD SEPARATELY | | | | | | | | | |
|--|----------------------|-------------------|-------------|--------|-------------|------------|-------------------|-----|----------|-----------|--|----|----|----|----|----|----|----|----|----|----|----|----|----|----|----|----|----|----|----|--------|----------|-------------------------------------|---|----|----|---|---|---|---|---|---|
| | | | | | | | | | | | CAVITY WITH A NUMBER INDICATES BLOCKED TERMINAL POSITION | | | | | | | | | | | | | | | | | | | | | | DRESS COVER | | | | | | | | | |
| | | | | | | | | | | | CAVITY WITHOUT A NUMBER INDICATES OPEN TERMINAL POSITION | | | | | | | | | | | | | | | | | | | | | | | | | | | | | | | |
| MX123 CONN ASSY 73 CKT BLK OPT0 KEY A/38 | 345662753 | C-HSG-A0 | G-CAP-0-P | TPA-A0 | RS | LS | MAL | CPA | MSEAL | RSEAL | 72 | 71 | 70 | 69 | 68 | 67 | 66 | 65 | 64 | - | - | - | 60 | 59 | - | - | - | - | - | - | - | - | - | - | | | | | | | | |
| | | | | | | | | | | | - | - | 50 | - | 48 | 47 | 46 | 45 | - | - | - | - | 40 | 39 | 38 | - | - | - | - | - | - | - | - | - | - | - | - | - | - | - | - | |
| | | | | | | | | | | | - | - | - | - | - | 31 | 30 | - | - | - | - | 25 | 24 | 23 | 22 | 21 | 20 | - | - | - | 17 | - | - | - | - | - | - | - | - | - | | |
| MX123 CONN ASSY 73 CKT GRY OPT0 KEY B/25 | 345662763 | C-HSG-B0 | G-CAP-0-P | TPA-B0 | RS | LS | MAL | CPA | MSEAL | RSEAL | - | - | - | 69 | - | - | - | 65 | 64 | 63 | - | - | - | - | - | - | - | - | - | - | - | - | - | - | - | | | | | | | |
| | | | | | | | | | | | - | - | - | 49 | - | - | - | 45 | 44 | 43 | - | - | - | - | - | - | - | - | - | - | - | - | - | - | - | - | - | - | - | - | - | |
| | | | | | | | | | | | - | - | - | - | - | - | - | - | - | - | - | - | 23 | 22 | 21 | 20 | 19 | 18 | 17 | - | - | - | - | - | - | - | - | - | - | - | - | |
| MX123 CONN ASSY 73 CKT BLK OPT9 KEY A/43 | 345662793 | C-HSG-A9 | G-CAP-9-P | TPA-A9 | RS | LS | MAL | CPA | MSEAL | RSEAL | 72 | 71 | 70 | 69 | 68 | - | - | 65 | 64 | 63 | 62 | 61 | 60 | 59 | 58 | 57 | 56 | 55 | 54 | 53 | - | - | - | - | - | - | | | | | | |
| | | | | | | | | | | | 52 | 51 | 50 | 49 | - | - | 46 | 45 | 44 | 43 | 42 | - | 40 | 39 | 38 | 37 | 36 | 35 | 34 | 33 | - | - | - | - | - | - | - | - | - | - | - | - |
| | | | | | | | | | | | - | - | - | - | - | - | - | - | 28 | - | 26 | - | 24 | 23 | - | - | 20 | - | - | - | - | - | - | - | - | - | - | - | - | - | - | |
| MX123 CONN ASSY 73 CKT GRY OPT9 KEY B/22 | 345662813 | C-HSG-B9 | G-CAP-9-P | TPA-B9 | RS | LS | MAL | CPA | MSEAL | RSEAL | - | - | - | - | - | - | - | - | - | 63 | - | - | - | - | - | - | - | - | - | - | - | - | - | - | 53 | | | | | | | |
| | | | | | | | | | | | - | - | - | - | - | 47 | - | 45 | - | 43 | 42 | 41 | - | 39 | 38 | - | - | 35 | 34 | 33 | - | - | - | - | - | - | - | - | - | - | - | |
| | | | | | | | | | | | - | - | - | - | - | - | - | - | - | - | 26 | - | - | 23 | 22 | - | - | 19 | - | 17 | - | - | - | - | - | - | - | - | - | - | - | |
| MX123 CONN ASSY 73 CKT BLK OPT0 KEY A/46 | 345662823 | C-HSG-A0 | G-CAP-0-P | TPA-A0 | RS | LS | MAL | CPA | MSEAL | RSEAL | 72 | 71 | 70 | 69 | 68 | - | - | 65 | 64 | 63 | 62 | 61 | 60 | 59 | 58 | 57 | 56 | 55 | 54 | 53 | - | - | - | - | - | - | - | | | | | |
| | | | | | | | | | | | 52 | 51 | 50 | 49 | 48 | - | 46 | 45 | 44 | 43 | 42 | - | 40 | 39 | 38 | 37 | 36 | 35 | 34 | 33 | - | - | - | - | - | - | - | - | - | - | - | - |
| | | | | | | | | | | | - | - | - | - | - | - | - | - | 28 | - | 26 | - | 24 | 23 | - | - | 20 | - | - | - | - | - | - | - | - | - | - | - | - | - | - | - |
| MX123 CONN ASSY 73 CKT GRY OPT0 KEY B/26 | 345662833 | C-HSG-B0 | G-CAP-0-P | TPA-B0 | RS | LS | MAL | CPA | MSEAL | RSEAL | - | - | - | - | - | - | - | - | 64 | 63 | 62 | - | - | 59 | 58 | - | - | - | - | - | - | - | - | - | - | 53 | | | | | | |
| | | | | | | | | | | | - | - | - | - | - | 47 | - | 45 | - | 43 | 42 | 41 | - | 39 | 38 | - | - | 35 | 34 | 33 | - | - | - | - | - | - | - | - | - | - | - | |
| | | | | | | | | | | | - | - | - | - | - | - | - | - | - | - | 26 | 25 | - | 23 | 22 | - | - | - | - | - | - | - | - | - | - | - | - | - | - | - | - | - |
| MX123 CONN ASSY 73 CKT BLK OPT0 KEY A/44 | 345662843 | C-HSG-A0 | G-CAP-0-P | TPA-A0 | RS | LS | MAL | CPA | MSEAL | RSEAL | 72 | 71 | 70 | 69 | 68 | - | - | 65 | 64 | 63 | 62 | 61 | 60 | 59 | 58 | 57 | 56 | 55 | 54 | 53 | - | - | - | - | - | - | - | - | | | | |
| | | | | | | | | | | | 52 | 51 | 50 | 49 | 48 | - | 46 | 45 | 44 | 43 | 42 | - | 40 | 39 | 38 | 37 | 36 | 35 | 34 | 33 | - | - | - | - | - | - | - | - | - | - | - | - |
| | | | | | | | | | | | - | - | - | - | - | - | - | - | 28 | - | 26 | - | 24 | 23 | - | - | 20 | - | - | - | - | - | - | - | - | - | - | - | - | - | - | - |
| MX123 CONN ASSY 73 CKT GRY OPT0 KEY B/24 | 345662853 | C-HSG-B0 | G-CAP-0-P | TPA-B0 | RS | LS | MAL | CPA | MSEAL | RSEAL | - | - | - | - | - | - | - | - | - | 62 | - | - | 59 | 58 | - | - | - | - | - | - | - | - | - | - | 53 | | | | | | | |
| | | | | | | | | | | | - | - | - | - | - | 47 | - | 45 | - | 43 | 42 | 41 | - | 39 | 38 | - | - | 35 | 34 | 33 | - | - | - | - | - | - | - | - | - | - | - | |
| | | | | | | | | | | | - | - | - | - | - | - | - | - | - | - | 26 | 25 | - | 23 | 22 | - | - | - | - | - | - | - | - | - | - | - | - | - | - | - | - | - |
| MX123 CONN ASSY 73 CKT BLK OPT0 KEY A/23 | 345662863 | C-HSG-A0 | G-CAP-0-P | TPA-A0 | RS | LS | MAL | CPA | MSEAL | RSEAL | - | - | - | - | - | - | - | 65 | - | - | - | 61 | - | - | 58 | 57 | 56 | - | - | - | - | - | - | - | - | - | | | | | | |
| | | | | | | | | | | | - | 51 | 50 | - | - | 47 | - | 45 | - | - | - | 41 | - | - | 38 | 37 | 36 | - | - | - | - | - | - | - | - | - | - | - | - | - | - | |
| | | | | | | | | | | | - | - | - | - | - | 31 | 30 | - | - | - | 26 | 25 | - | - | 22 | 21 | 20 | - | - | - | - | - | - | - | - | - | - | - | - | - | - | - |
| MX123 CONN ASSY 73 CKT GRY OPT0 KEY B/37 | 345662873 | C-HSG-B0 | G-CAP-0-P | TPA-B0 | RS | LS | MAL | CPA | MSEAL | RSEAL | - | - | - | - | - | - | - | 65 | 64 | 63 | 62 | 61 | 60 | - | - | - | - | - | 54 | - | - | - | - | - | - | - | - | | | | | |
| | | | | | | | | | | | - | - | - | - | - | - | 46 | 45 | 44 | 43 | 42 | 41 | 40 | - | - | - | - | - | - | - | - | - | - | - | - | - | - | - | - | - | - | - |
| | | | | | | | | | | | - | - | - | - | 32 | 31 | 30 | 29 | 28 | 27 | 26 | 25 | 24 | - | - | - | 20 | 19 | 18 | 17 | - | - | - | - | - | - | - | - | - | - | - | - |
| MX123 CONN ASSY 73 CKT BLK OPT0 KEY A/39 | 345662883 | C-HSG-A0 | G-CAP-0-P | TPA-A0 | RS | LS | MAL | CPA | MSEAL | RSEAL | 72 | 71 | - | - | 68 | 67 | 66 | 65 | 64 | - | - | - | 60 | 59 | - | - | - | - | - | - | - | - | - | - | - | - | - | - | - | | | |
| | | | | | | | | | | | - | - | 50 | - | 48 | 47 | 46 | 45 | - | - | - | - | 40 | 39 | 38 | - | - | 35 | - | 33 | - | - | - | - | - | - | - | - | - | - | - | - |
| | | | | | | | | | | | - | - | - | - | - | 31 | 30 | - | - | - | - | 25 | 24 | 23 | 22 | 21 | 20 | - | - | - | - | - | - | - | - | - | - | - | - | - | - | - |
| MX123 CONN ASSY 73 CKT BLK OPT0 KEY A/35 | 345662893 | C-HSG-A0 | G-CAP-0-P | TPA-A0 | RS | LS | MAL | CPA | MSEAL | RSEAL | - | 71 | 70 | - | 68 | - | 66 | - | 64 | - | 62 | 61 | - | 59 | 58 | - | - | 55 | 54 | - | - | - | - | - | - | - | - | | | | | |
| | | | | | | | | | | | 52 | 51 | 50 | - | 48 | - | - | 45 | - | - | 42 | 41 | - | 39 | 38 | - | - | - | 34 | - | - | - | - | - | - | - | - | - | - | - | - | |
| | | | | | | | | | | | - | - | - | - | - | 32 | - | - | - | 27 | 26 | 25 | - | 23 | 22 | - | - | 19 | 18 | - | - | - | - | - | - | - | - | - | - | - | - | - |

| ASSEMBLY DESCRIPTION | ASSEMBLY PART NUMBER | CONNECTOR HOUSING | GROMMET CAP | TPA | RIGHT SLIDE | LEFT SLIDE | MATE ASSIST LEVER | CPA | MAT SEAL | RING SEAL | BLOCKED TERMINALS | | | | | | | | | | | | | | | | STATUS | COMMENTS | INTEGRAL COMPONENTS SOLD SEPARATELY | | | | | |
|--|----------------------|-------------------|-------------|--------|-------------|------------|-------------------|-----|----------|-----------|--|----|----|----|----|----|----|----|----|----|----|----|----|----|----|----|--------|----------|-------------------------------------|----------|----------|-----------|-----------|-----------|
| | | | | | | | | | | | CAVITY WITH A NUMBER INDICATES BLOCKED TERMINAL POSITION | | | | | | | | | | | | | | | | | | DRESS COVER | | | | | |
| | | | | | | | | | | | CAVITY WITHOUT A NUMBER INDICATES OPEN TERMINAL POSITION | | | | | | | | | | | | | | | | | | | | | | | |
| MX123 CONN ASSY 73 CKT BLK OPT0 KEY A/24 | 345662903 | C-HSG-A0 | G-CAP-0-P | TPA-A0 | RS | LS | MAL | CPA | MSEAL | RSEAL | - | - | - | - | - | - | - | - | 65 | - | - | - | - | 60 | - | 58 | 57 | 56 | - | - | - | SALEABLE | | 345650003 |
| | | | | | | | | | | | - | - | 50 | - | - | 47 | 46 | 45 | - | - | - | - | 40 | - | 38 | 37 | 36 | - | - | - | | | | |
| | | | | | | | | | | | - | - | - | - | - | 30 | - | 28 | - | 26 | - | 24 | - | 22 | 21 | 20 | - | - | - | | | | | |
| MX123 CONN ASSY 73 CKT GRY OPT0 KEY B/55 | 345662913 | C-HSG-B0 | G-CAP-0-P | TPA-B0 | RS | LS | MAL | CPA | MSEAL | RSEAL | 72 | 71 | 70 | 69 | - | - | 66 | 65 | - | 63 | 62 | 61 | 60 | 59 | - | 57 | 56 | 55 | 54 | 53 | SALEABLE | | 345650003 | |
| | | | | | | | | | | | 52 | 51 | 50 | 49 | 48 | 47 | - | - | 44 | 43 | 42 | 41 | 40 | 39 | - | 37 | 36 | 35 | 34 | 33 | | | | |
| | | | | | | | | | | | - | - | - | - | - | 31 | - | - | - | - | 26 | 25 | 24 | 23 | - | 21 | 20 | 19 | 18 | - | | | | |
| MX123 CONN ASSY 73 CKT GRY OPT0 KEY B/59 | 345662923 | C-HSG-B0 | G-CAP-0-P | TPA-B0 | RS | LS | MAL | CPA | MSEAL | RSEAL | 72 | 71 | 70 | 69 | - | - | 66 | 65 | - | 63 | 62 | 61 | 60 | 59 | 58 | 57 | 56 | 55 | 54 | 53 | SALEABLE | | 345650003 | |
| | | | | | | | | | | | 52 | 51 | 50 | 49 | 48 | 47 | - | - | 44 | 43 | 42 | 41 | 40 | 39 | 38 | 37 | 36 | 35 | 34 | 33 | | | | |
| | | | | | | | | | | | - | - | - | - | - | 31 | - | - | - | - | 26 | 25 | 24 | 23 | 22 | 21 | 20 | 19 | 18 | - | | | | |
| MX123 CONN ASSY 73 CKT BLK OPT0 KEY A/37 | 345662933 | C-HSG-A0 | G-CAP-0-P | TPA-A0 | RS | LS | MAL | CPA | MSEAL | RSEAL | - | 71 | 70 | - | 68 | - | 66 | - | 64 | - | 62 | 61 | - | 59 | 58 | - | - | 55 | 54 | - | SALEABLE | | 345650003 | |
| | | | | | | | | | | | 52 | 51 | 50 | - | 48 | - | 46 | 45 | - | - | 42 | 41 | - | 39 | 38 | - | - | - | 34 | - | | | | |
| | | | | | | | | | | | - | - | - | - | 32 | - | - | - | - | 27 | 26 | 25 | - | 23 | 22 | - | - | 19 | 18 | - | | | | |
| MX123 CONN ASSY 73 CKT GRY OPT0 KEY B/23 | 345662943 | C-HSG-B0 | G-CAP-0-P | TPA-B0 | RS | LS | MAL | CPA | MSEAL | RSEAL | 72 | 71 | 70 | 69 | - | - | 66 | 65 | - | - | 62 | 61 | 60 | - | 58 | - | 56 | 55 | 54 | 53 | SALEABLE | | 345650003 | |
| | | | | | | | | | | | 52 | 51 | 50 | 49 | 48 | 47 | - | - | 44 | - | 42 | 41 | 40 | - | 38 | - | 36 | 35 | 34 | 33 | | | | |
| | | | | | | | | | | | - | - | - | - | - | 31 | - | - | - | - | 26 | 25 | 24 | 23 | 22 | - | 20 | 19 | 18 | 17 | | | | |
| MX123 CONN ASSY 73 CKT GRY OPT0 KEY B/21 | 345662953 | C-HSG-B0 | G-CAP-0-P | TPA-B0 | RS | LS | MAL | CPA | MSEAL | RSEAL | 72 | 71 | 70 | 69 | - | - | 66 | 65 | - | - | 62 | 61 | 60 | - | 58 | 57 | 56 | 55 | 54 | 53 | SALEABLE | | 345650003 | |
| | | | | | | | | | | | 52 | 51 | 50 | 49 | 48 | 47 | - | - | 44 | - | 42 | 41 | 40 | - | 38 | 37 | 36 | 35 | - | 33 | | | | |
| | | | | | | | | | | | - | - | - | - | - | 31 | - | - | - | - | 26 | 25 | 24 | 23 | 22 | 21 | 20 | 19 | 18 | 17 | | | | |
| MX123 CONN ASSY 73 CKT BLK OPT9 KEY A/38 | 345662983 | C-HSG-A9 | G-CAP-9-P | TPA-A9 | RS | LS | MAL | CPA | MSEAL | RSEAL | 72 | 71 | - | - | 68 | 67 | 66 | 65 | 64 | - | - | - | 60 | 59 | - | - | - | - | - | - | SALEABLE | | 345650003 | |
| | | | | | | | | | | | - | - | 50 | - | 48 | 47 | 46 | 45 | - | - | - | - | 40 | 39 | 38 | - | - | 35 | - | 33 | | | | |
| | | | | | | | | | | | - | - | - | - | - | 31 | 30 | - | - | - | - | 25 | 24 | 23 | 22 | 21 | 20 | - | - | - | | | | |
| MX123 CONN ASSY 73 CKT GRY OPT9 KEY B/49 | 345662993 | C-HSG-B9 | G-CAP-9-P | TPA-B9 | RS | LS | MAL | CPA | MSEAL | RSEAL | - | - | - | 69 | - | - | - | 65 | 64 | 63 | - | - | - | - | - | - | - | - | - | SALEABLE | | 345650003 | | |
| | | | | | | | | | | | - | - | - | 49 | - | - | - | 45 | 44 | 43 | - | - | - | - | - | - | - | - | - | | | | - | |
| | | | | | | | | | | | - | - | - | - | - | - | - | - | - | - | - | - | - | 23 | 22 | 21 | 20 | 19 | 18 | | | | 17 | |
| MX123 CONN ASSY 73 CKT BLK OPT0 KEY A/6 | 345663003 | C-HSG-A0 | G-CAP-0-P | TPA-A0 | RS | LS | MAL | CPA | MSEAL | RSEAL | - | - | - | - | - | - | - | 65 | - | - | - | 61 | - | - | - | - | - | - | - | SALEABLE | | 345650003 | | |
| | | | | | | | | | | | - | - | - | - | - | - | - | 45 | - | - | - | - | - | - | - | - | - | - | - | | | | - | |
| | | | | | | | | | | | - | - | - | - | - | - | - | - | - | - | 26 | - | - | - | - | - | - | - | - | | | | - | - |
| MX123 CONN ASSY 73 CKT BLU OPT9 KEY C/41 | 345663013 | C-HSG-C9 | G-CAP-9-P | TPA-C9 | RS | LS | MAL | CPA | MSEAL | RSEAL | - | - | - | - | - | - | - | 65 | 64 | - | - | 61 | 60 | - | 58 | - | - | - | 54 | - | SALEABLE | | 345650003 | |
| | | | | | | | | | | | - | - | 50 | 49 | 48 | 47 | - | 45 | - | 43 | - | 41 | - | - | - | 37 | 36 | 35 | - | - | | | | |
| | | | | | | | | | | | - | - | - | - | - | 31 | - | 29 | 28 | 27 | - | - | 24 | 23 | - | - | 20 | - | - | 17 | | | | - |
| MX123 CONN ASSY 73 CKT BLU OPT0 KEY C/37 | 345663043 | C-HSG-C0 | G-CAP-0-P | TPA-C0 | RS | LS | MAL | CPA | MSEAL | RSEAL | - | 71 | - | 69 | - | 67 | - | 65 | 64 | - | - | 61 | 60 | - | 58 | - | 56 | 55 | 54 | - | SALEABLE | | 345650003 | |
| | | | | | | | | | | | - | - | 50 | 49 | - | - | - | 45 | - | 43 | - | 41 | - | - | 38 | 37 | 36 | 35 | - | - | | | | |
| | | | | | | | | | | | - | - | - | - | - | 31 | - | 29 | 28 | - | - | - | 24 | 23 | - | - | - | 19 | 18 | 17 | | | | - |
| MX123 CONN ASSY 73 CKT BLU OPT0 KEY C/38 | 345663053 | C-HSG-C0 | G-CAP-0-P | TPA-C0 | RS | LS | MAL | CPA | MSEAL | RSEAL | - | 71 | - | 69 | - | 67 | - | 65 | 64 | - | - | 61 | 60 | - | 58 | - | 56 | 55 | 54 | - | SALEABLE | | 345650003 | |
| | | | | | | | | | | | - | - | 50 | 49 | - | - | - | 45 | - | 43 | - | 41 | - | - | 37 | 36 | 35 | - | - | | | | | |
| | | | | | | | | | | | - | - | - | - | - | 31 | - | 29 | 28 | - | - | - | 24 | 23 | - | - | - | 19 | 18 | 17 | | | | - |

| ASSEMBLY DESCRIPTION | ASSEMBLY PART NUMBER | CONNECTOR HOUSING | GROMMET CAP | TPA | RIGHT SLIDE | LEFT SLIDE | MATE ASSIST LEVER | CPA | MAT SEAL | RING SEAL | BLOCKED TERMINALS | | | | | | | | | | | | | | | | | | STATUS | COMMENTS | INTEGRAL COMPONENTS SOLD SEPARATELY | | |
|--|----------------------|-------------------|-------------|--------|-------------|------------|-------------------|-----|----------|-----------|--|----|----|----|----|----|----|----|----|----|----|----|----|----|----|----|----------|----|-----------|----------|-------------------------------------|----------|-----------|
| | | | | | | | | | | | CAVITY WITH A NUMBER INDICATES BLOCKED TERMINAL POSITION CAVITY WITHOUT A NUMBER INDICATES OPEN TERMINAL POSITION | | | | | | | | | | | | | | | | | | | | DRESS COVER | | |
| | | | | | | | | | | | | | | | | | | | | | | | | | | | | | | | | | |
| MX123 CONN ASSY 73 CKT BLU OPT0 KEY C/30 | 345663183 | C-HSG-C0 | G-CAP-0-P | TPA-C0 | RS | LS | MAL | CPA | MSEAL | RSEAL | - | 71 | - | 69 | 68 | 67 | - | 65 | 64 | - | - | 61 | 60 | - | 58 | - | - | - | 54 | - | | | |
| | | | | | | | | | | | - | - | 50 | 49 | 48 | 47 | - | 45 | - | 43 | - | 41 | - | - | 38 | 37 | 36 | 35 | - | - | | | |
| | | | | | | | | | | | | | | | 32 | 31 | - | 29 | 28 | 27 | - | - | 24 | 23 | - | - | 20 | 19 | 18 | 17 | | | |
| | | | | | | | | | | | - | - | - | 13 | 12 | 11 | - | - | 8 | 7 | - | 5 | 4 | 3 | 2 | 1 | SALEABLE | | 345650003 | | | | |
| | | | | | | | | | | | 72 | 71 | 70 | - | 68 | 67 | 66 | 65 | 64 | - | 62 | 61 | 60 | 59 | - | 57 | | | | - | - | - | - |
| | | | | | | | | | | | - | - | 50 | - | 48 | 47 | 46 | 45 | - | - | - | - | 40 | 39 | 38 | 37 | | | | - | - | - | - |
| | | | | | | | | | | | | | | | - | 31 | 30 | 29 | - | 27 | - | 25 | 24 | 23 | 22 | 21 | 20 | - | - | - | SALEABLE | | 345650003 |
| | | | | | | | | | | | | | | | - | 15 | 14 | 13 | - | 11 | - | 9 | 8 | 7 | 6 | 5 | 4 | - | - | - | | | |
| | | | | | | | | | | | 72 | 71 | 70 | 69 | 68 | - | 66 | 65 | 64 | 63 | 62 | 61 | - | - | - | - | - | - | 54 | - | | | |
| MX123 CONN ASSY 73 CKT GRY OPT0 KEY B/42 | 345663203 | C-HSG-B0 | G-CAP-0-P | TPA-B0 | RS | LS | MAL | CPA | MSEAL | RSEAL | 52 | 51 | - | - | - | 47 | - | 45 | 44 | 43 | 42 | 41 | 40 | - | - | - | 36 | - | - | | | | |
| | | | | | | | | | | | | | | | 32 | 31 | 30 | - | 28 | 27 | 26 | 25 | 24 | - | - | 20 | 19 | - | 17 | | | | |
| | | | | | | | | | | | | | | | - | - | - | 13 | 12 | 11 | 10 | 9 | 8 | - | - | - | - | - | 2 | 1 | SALEABLE | | 345650003 |
| | | | | | | | | | | | - | - | - | - | - | - | - | - | - | - | - | - | - | - | - | | | | | | | | |
| | | | | | | | | | | | - | 71 | - | 69 | 68 | - | - | 65 | 64 | - | - | 61 | 60 | - | 58 | 57 | - | 55 | 54 | - | | | |
| MX123 CONN ASSY 73 CKT BLU OPT0 KEY C/31 | 345663213 | C-HSG-C0 | G-CAP-0-P | TPA-C0 | RS | LS | MAL | CPA | MSEAL | RSEAL | - | - | 50 | 49 | 48 | 47 | - | 45 | - | 43 | - | 41 | - | 39 | 38 | 37 | 36 | 35 | - | - | | | |
| | | | | | | | | | | | | | | | - | 31 | - | 29 | 28 | 27 | - | - | 24 | 23 | - | - | 20 | 19 | 18 | 17 | | | |
| | | | | | | | | | | | | | | | 16 | - | - | 13 | 12 | 11 | - | - | 8 | 7 | - | - | - | - | 3 | 2 | 1 | SALEABLE | |
| | | | | | | | | | | | - | - | - | - | - | - | - | - | - | - | - | - | - | - | - | | | | | | | | |
| | | | | | | | | | | | - | 71 | - | 69 | 68 | - | - | 65 | 64 | - | - | 61 | 60 | - | 58 | - | 56 | 55 | 54 | - | | | |
| MX123 CONN ASSY 73 CKT BLU OPT0 KEY C/33 | 345663223 | C-HSG-C0 | G-CAP-0-P | TPA-C0 | RS | LS | MAL | CPA | MSEAL | RSEAL | - | - | 50 | 49 | 48 | 47 | - | 45 | - | 43 | - | 41 | - | - | 38 | 37 | 36 | 35 | - | - | | | |
| | | | | | | | | | | | | | | | - | 31 | - | 29 | 28 | - | - | 24 | 23 | - | - | 20 | 19 | 18 | 17 | | | | |
| | | | | | | | | | | | | | | | 16 | - | - | 13 | 12 | 11 | - | - | 8 | 7 | - | - | - | - | 3 | 2 | 1 | SALEABLE | |
| | | | | | | | | | | | - | - | - | - | - | - | - | - | - | - | - | - | - | - | - | | | | | | | | |
| | | | | | | | | | | | 72 | 71 | - | - | 68 | 67 | 66 | 65 | 64 | - | - | - | 60 | 59 | - | - | - | - | - | - | | | |
| MX123 CONN ASSY 73 CKT BLK OPT0 KEY A/36 | 345663233 | C-HSG-A0 | G-CAP-0-P | TPA-A0 | RS | LS | MAL | CPA | MSEAL | RSEAL | - | - | 50 | - | 48 | 47 | 46 | 45 | - | - | - | - | 40 | 39 | 38 | - | - | 35 | - | 33 | | | |
| | | | | | | | | | | | | | | | - | 31 | 30 | - | - | - | - | 25 | 24 | 23 | 22 | 21 | 20 | - | - | 17 | | | |
| | | | | | | | | | | | | | | | - | - | 14 | - | - | - | - | 9 | 8 | 7 | 6 | 5 | 4 | - | 2 | 1 | SALEABLE | | 345650003 |
| | | | | | | | | | | | - | - | - | - | - | - | - | - | - | - | - | - | - | - | - | | | | | | | | |
| | | | | | | | | | | | - | 71 | - | 69 | 68 | 67 | - | 65 | 64 | - | - | 61 | 60 | - | 58 | - | 56 | 55 | 54 | - | | | |
| MX123 CONN ASSY 73 CKT BLU OPT0 KEY C/31 | 345663243 | C-HSG-C0 | G-CAP-0-P | TPA-C0 | RS | LS | MAL | CPA | MSEAL | RSEAL | - | - | 50 | 49 | 48 | 47 | - | 45 | - | 43 | - | 41 | - | - | 38 | 37 | 36 | 35 | - | - | | | |
| | | | | | | | | | | | | | | | - | 31 | - | 29 | 28 | 27 | - | - | 24 | 23 | - | - | 20 | 19 | 18 | 17 | | | |
| | | | | | | | | | | | | | | | 16 | - | - | 13 | 12 | 11 | - | - | 8 | 7 | - | - | - | - | 3 | 2 | 1 | SALEABLE | |
| | | | | | | | | | | | - | - | - | - | - | - | - | - | - | - | - | - | - | - | - | | | | | | | | |
| | | | | | | | | | | | 72 | 71 | - | - | 68 | 67 | 66 | 65 | 64 | - | 62 | 61 | 60 | 59 | - | 57 | - | - | - | - | | | |
| MX123 CONN ASSY 73 CKT BLK OPT0 KEY A/28 | 345663253 | C-HSG-A0 | G-CAP-0-P | TPA-A0 | RS | LS | MAL | CPA | MSEAL | RSEAL | - | - | 50 | - | 48 | 47 | 46 | 45 | - | - | - | - | 40 | 39 | 38 | 37 | - | 35 | - | 33 | | | |
| | | | | | | | | | | | | | | | - | 31 | 30 | 29 | - | 27 | - | 25 | 24 | 23 | 22 | 21 | 20 | - | - | 17 | | | |
| | | | | | | | | | | | | | | | - | - | 14 | 13 | - | 11 | - | 9 | 8 | 7 | 6 | 5 | 4 | - | 2 | 1 | SALEABLE | | 345650003 |
| | | | | | | | | | | | - | - | - | - | - | - | - | - | - | - | - | - | - | - | - | | | | | | | | |
| | | | | | | | | | | | - | 71 | - | 69 | 68 | 67 | - | 65 | 64 | - | - | 61 | 60 | - | 58 | - | 56 | 55 | 54 | - | | | |
| MX123 CONN ASSY 73 CKT BLU OPT0 KEY C/36 | 345663263 | C-HSG-C0 | G-CAP-0-P | TPA-C0 | RS | LS | MAL | CPA | MSEAL | RSEAL | - | - | 50 | 49 | 48 | 47 | - | 45 | - | 43 | - | 41 | - | - | 38 | 37 | 36 | 35 | - | - | | | |
| | | | | | | | | | | | | | | | - | 31 | - | 29 | 28 | 27 | - | - | 24 | 23 | - | - | 20 | 19 | 18 | 17 | | | |
| | | | | | | | | | | | | | | | 16 | - | - | 13 | 12 | 11 | - | - | 8 | 7 | - | - | - | - | 3 | 2 | 1 | SALEABLE | |
| | | | | | | | | | | | - | - | - | - | - | - | - | - | - | - | - | - | - | - | - | | | | | | | | |
| | | | | | | | | | | | 72 | 71 | - | - | 68 | 67 | 66 | 65 | 64 | - | 62 | 61 | 60 | 59 | - | 57 | - | - | - | - | | | |
| MX123 CONN ASSY 73 CKT BLK OPT0 KEY A/31 | 345663273 | C-HSG-A0 | G-CAP-0-P | TPA-A0 | RS | LS | MAL | CPA | MSEAL | RSEAL | - | - | 50 | - | 48 | 47 | 46 | 45 | - | - | - | - | 40 | 39 | 38 | 37 | - | 35 | - | 33 | | | |
| | | | | | | | | | | | | | | | - | 31 | 30 | 29 | - | 27 | - | 25 | 24 | 23 | 22 | 21 | 20 | - | - | 17 | | | |
| | | | | | | | | | | | | | | | - | - | 14 | 13 | - | 11 | - | 9 | 8 | 7 | 6 | 5 | 4 | - | 2 | 1 | SALEABLE | | 345650003 |
| | | | | | | | | | | | - | - | - | - | - | - | - | - | - | - | - | - | - | - | - | | | | | | | | |
| | | | | | | | | | | | - | 71 | - | 69 | 68 | - | - | 65 | 64 | - | - | 61 | 60 | - | 58 | - | 56 | 55 | 54 | - | | | |
| MX123 CONN ASSY 73 CKT BLU OPT0 KEY C/31 | 345663283 | C-HSG-C0 | G-CAP-0-P | TPA-C0 | RS | LS | MAL | CPA | MSEAL | RSEAL | - | - | 50 | 49 | 48 | 47 | - | 45 | - | 43 | - | 41 | - | - | 38 | 37 | 36 | 35 | - | - | | | |
| | | | | | | | | | | | | | | | - | 31 | - | 29 | 28 | 27 | - | - | 24 | 23 | - | - | 20 | 19 | 18 | 17 | | | |
| | | | | | | | | | | | | | | | 16 | - | - | 13 | 12 | 11 | - | - | 8 | 7 | - | - | - | - | 3 | 2 | 1 | SALEABLE | |
| | | | | | | | | | | | - | - | - | - | - | - | - | - | - | - | - | - | - | - | - | | | | | | | | |
| | | | | | | | | | | | - | - | - | 69 | - | - | - | 65 | 64 | 63 | - | - | - | - | - | - | - | - | - | - | | | |
| MX123 CONN ASSY 73 CKT GRY OPT0 KEY B/49 | 345663293 | C-HSG-B0 | G-CAP-0-P | TPA-B0 | RS | LS | MAL | CPA | MSEAL | RSEAL | - | - | - | 49 | - | - | 46 | 45 | 44 | 43 | - | - | - | - | - | - | - | - | - | | | | |
| | | | | | | | | | | | | | | | - | - | - | - | - | - | - | - | - | - | 22 | 21 | 20 | 19 | 18 | 17 | | | |
| | | | | | | | | | | | | | | | - | - | - | - | 12 | 11 | - | - | - | 7 | 6 | 5 | 4 | 3 | 2 | 1 | SALEABLE | | 345650003 |
| | | | | | | | | | | | - | - | - | - | - | - | - | - | - | - | - | - | - | - | - | | | | | | | | |

| ASSEMBLY DESCRIPTION | ASSEMBLY PART NUMBER | CONNECTOR HOUSING | GROMMET CAP | TPA | RIGHT SLIDE | LEFT SLIDE | MATE ASSIST LEVER | CPA | MAT SEAL | RING SEAL | BLOCKED TERMINALS | | | | | | | | | | | | | | | | | | STATUS | COMMENTS | INTEGRAL COMPONENTS SOLD SEPARATELY |
|--|----------------------|-------------------|-------------|--------|-------------|------------|-------------------|-----|----------|-----------|--|----|----|----|----|----|----|----|----|----|----|----|----|----|----|----|----|----|--------|----------|-------------------------------------|
| | | | | | | | | | | | CAVITY WITH A NUMBER INDICATES BLOCKED TERMINAL POSITION CAVITY WITHOUT A NUMBER INDICATES OPEN TERMINAL POSITION | | | | | | | | | | | | | | | | | | | | DRESS COVER |
| | | | | | | | | | | | | | | | | | | | | | | | | | | | | | | | |
| MX123 CONN ASSY 73 CKT GRY OPT0 KEY B/44 | 345663303 | C-HSG-B0 | G-CAP-0-P | TPA-B0 | RS | LS | MAL | CPA | MSEAL | RSEAL | 72 | 71 | 70 | 69 | 68 | 67 | 66 | 65 | 64 | 63 | 62 | 61 | 60 | - | - | - | - | - | 54 | - | |
| | | | | | | | | | | | 52 | 51 | - | - | - | 47 | - | 45 | 44 | 43 | 42 | 41 | 40 | - | - | - | 36 | - | - | - | |
| | | | | | | | | | | | | | | | 32 | 31 | 30 | - | 28 | 27 | 26 | 25 | 24 | - | - | - | 20 | 19 | - | 17 | |
| MX123 CONN ASSY 73 CKT BLU OPT0 KEY C/28 | 345663313 | C-HSG-C0 | G-CAP-0-P | TPA-C0 | RS | LS | MAL | CPA | MSEAL | RSEAL | - | 71 | - | 69 | 68 | 67 | 66 | 65 | 64 | - | - | 61 | 60 | - | 58 | - | 56 | 55 | 54 | - | |
| | | | | | | | | | | | - | - | 50 | 49 | 48 | 47 | - | 45 | - | 43 | - | 41 | - | - | 38 | 37 | 36 | 35 | - | - | |
| | | | | | | | | | | | | | | | - | 31 | - | 29 | 28 | 27 | - | - | 24 | 23 | - | - | 20 | 19 | 18 | 17 | |
| MX123 CONN ASSY 73 CKT GRY OPT0 KEY B/25 | 345663323 | C-HSG-B0 | G-CAP-0-P | TPA-B0 | RS | LS | MAL | CPA | MSEAL | RSEAL | 72 | 71 | 70 | 69 | - | - | - | - | - | - | 62 | 61 | 60 | 59 | - | 57 | 56 | - | 54 | 53 | |
| | | | | | | | | | | | 52 | 51 | 50 | - | - | 47 | - | - | - | - | 42 | 41 | 40 | 39 | - | 37 | 36 | 35 | 34 | 33 | |
| | | | | | | | | | | | | | | | - | 31 | - | - | - | - | 26 | 25 | 24 | 23 | - | 21 | 20 | 19 | 18 | - | |
| MX123 CONN ASSY 73 CKT BLK OPT0 KEY A/49 | 345663333 | C-HSG-A0 | G-CAP-0-P | TPA-A0 | RS | LS | MAL | CPA | MSEAL | RSEAL | - | - | - | - | - | 67 | 66 | - | - | - | 62 | - | 60 | - | - | - | 55 | - | 53 | | |
| | | | | | | | | | | | - | - | - | - | 48 | - | 46 | 45 | 44 | 43 | - | - | 40 | 39 | - | - | - | 35 | - | - | |
| | | | | | | | | | | | | | | | - | - | - | - | - | - | 25 | - | - | 22 | 21 | - | - | - | - | - | |
| MX123 CONN ASSY 73 CKT BLK OPT0 KEY A/41 | 345663343 | C-HSG-A0 | G-CAP-0-P | TPA-A0 | RS | LS | MAL | CPA | MSEAL | RSEAL | - | 71 | 70 | - | 68 | - | - | - | 64 | - | 62 | 61 | - | 59 | 58 | - | - | 55 | 54 | - | |
| | | | | | | | | | | | 52 | 51 | 50 | - | 48 | - | 46 | 45 | - | - | - | 41 | - | 39 | 38 | - | - | - | 34 | - | |
| | | | | | | | | | | | | | | | 32 | - | - | - | - | 27 | - | 25 | - | 23 | 22 | - | - | 19 | 18 | - | |
| MX123 CONN ASSY 73 CKT GRY OPT0 KEY B/23 | 345663353 | C-HSG-B0 | G-CAP-0-P | TPA-B0 | RS | LS | MAL | CPA | MSEAL | RSEAL | 72 | 71 | 70 | 69 | - | - | 66 | 65 | - | 63 | 62 | 61 | 60 | - | - | 57 | 56 | 55 | - | 53 | |
| | | | | | | | | | | | 52 | 51 | 50 | 49 | 48 | 47 | - | - | 44 | 43 | 42 | 41 | 40 | - | - | 37 | 36 | 35 | 34 | 33 | |
| | | | | | | | | | | | | | | | - | 31 | - | - | - | - | 26 | 25 | 24 | - | - | 21 | 20 | 19 | 18 | - | |
| MX123 CONN ASSY 73 CKT BLK OPT0 KEY A/45 | 345663363 | C-HSG-A0 | G-CAP-0-P | TPA-A0 | RS | LS | MAL | CPA | MSEAL | RSEAL | 72 | - | 70 | - | - | 67 | 66 | - | - | - | 62 | - | 60 | - | 58 | - | - | 55 | - | 53 | |
| | | | | | | | | | | | - | 51 | - | - | 48 | - | 46 | 45 | 44 | 43 | - | - | - | - | - | - | - | 35 | - | - | |
| | | | | | | | | | | | | | | | - | - | - | - | - | - | 25 | - | - | - | 21 | - | - | - | 17 | - | |
| MX123 CONN ASSY 73 CKT BLU OPT9 KEY C/41 | 345663373 | C-HSG-C9 | G-CAP-9-P | TPA-C9 | RS | LS | MAL | CPA | MSEAL | RSEAL | - | 71 | - | 69 | - | - | - | 65 | 64 | - | - | 61 | 60 | - | 58 | - | 56 | 55 | 54 | - | |
| | | | | | | | | | | | - | - | 50 | 49 | - | - | - | 45 | - | 43 | - | 41 | - | - | - | 37 | 36 | 35 | - | - | |
| | | | | | | | | | | | | | | | - | 31 | - | 29 | 28 | 27 | - | - | 24 | 23 | - | - | 20 | - | - | 17 | |
| MX123 CONN ASSY 73 CKT BLK OPT0 KEY A/44 | 345663383 | C-HSG-A0 | G-CAP-0-P | TPA-A0 | RS | LS | MAL | CPA | MSEAL | RSEAL | 72 | 71 | - | - | - | 67 | 66 | - | - | - | 62 | - | 60 | - | - | - | 55 | - | 53 | | |
| | | | | | | | | | | | - | 51 | - | - | - | - | 46 | 45 | 44 | 43 | - | - | 40 | 39 | - | - | - | 35 | - | - | |
| | | | | | | | | | | | | | | | - | - | - | - | - | - | 25 | - | - | 22 | 21 | - | - | - | 17 | - | |
| MX123 CONN ASSY 73 CKT BLU OPT0 KEY C/35 | 345663393 | C-HSG-C0 | G-CAP-0-P | TPA-C0 | RS | LS | MAL | CPA | MSEAL | RSEAL | - | 71 | - | 69 | - | - | - | 65 | 64 | - | - | 61 | 60 | - | 58 | - | 56 | 55 | 54 | - | |
| | | | | | | | | | | | - | - | 50 | 49 | - | - | - | 45 | - | 43 | - | 41 | - | - | 38 | 37 | 36 | 35 | - | - | |
| | | | | | | | | | | | | | | | - | 31 | - | 29 | 28 | 27 | - | - | 24 | 23 | - | - | 20 | 19 | 18 | 17 | |
| MX123 CONN ASSY 73 CKT BLK OPT0 KEY A/6 | 345663403 | C-HSG-A0 | G-CAP-0-P | TPA-A0 | RS | LS | MAL | CPA | MSEAL | RSEAL | - | - | - | - | - | - | - | 65 | - | - | - | 61 | - | - | - | - | - | - | - | | |
| | | | | | | | | | | | - | - | - | - | - | - | - | 45 | - | - | - | - | - | - | - | - | - | - | - | - | |
| | | | | | | | | | | | | | | | - | - | - | - | - | - | 26 | - | - | - | - | - | - | - | - | - | |
| MX123 CONN ASSY 73 CKT BLK OPT0 KEY A/45 | 345663413 | C-HSG-A0 | G-CAP-0-P | TPA-A0 | RS | LS | MAL | CPA | MSEAL | RSEAL | - | 71 | - | 69 | 68 | - | - | - | 64 | 63 | 62 | - | 60 | 59 | - | - | 56 | - | - | 53 | |
| | | | | | | | | | | | 52 | 51 | - | - | 48 | - | 46 | - | - | - | - | 40 | - | 38 | - | 36 | - | 34 | 33 | | |
| | | | | | | | | | | | | | | | - | 31 | - | 29 | 28 | - | - | - | 23 | 22 | - | - | - | - | - | - | |

| ASSEMBLY DESCRIPTION | ASSEMBLY PART NUMBER | CONNECTOR HOUSING | GROMMET CAP | TPA | RIGHT SLIDE | LEFT SLIDE | MATE ASSIST LEVER | CPA | MAT SEAL | RING SEAL | BLOCKED TERMINALS | | | | | | | | | | | | | | | | | | STATUS | COMMENTS | INTEGRAL COMPONENTS SOLD SEPARATELY | |
|--|----------------------|-------------------|-------------|--------|-------------|------------|-------------------|-----|----------|-----------|--|----|----|----|----|----|----|----|----|----|----|----|----|----|----|----|----|----|--------|----------|-------------------------------------|----|
| | | | | | | | | | | | CAVITY WITH A NUMBER INDICATES BLOCKED TERMINAL POSITION CAVITY WITHOUT A NUMBER INDICATES OPEN TERMINAL POSITION | | | | | | | | | | | | | | | | | | | | DRESS COVER | |
| | | | | | | | | | | | | | | | | | | | | | | | | | | | | | | | | |
| MX123 CONN ASSY 73 CKT BLU OPT9 KEY C/31 | 345663423 | C-HSG-C9 | G-CAP-9-P | TPA-C9 | RS | LS | MAL | CPA | MSEAL | RSEAL | 72 | 71 | 70 | - | 68 | 67 | 66 | 65 | 64 | - | 62 | 61 | 60 | 59 | - | 57 | - | - | - | - | | |
| | | | | | | | | | | | - | - | 50 | - | 48 | 47 | 46 | 45 | - | - | - | - | 40 | 39 | 38 | 37 | - | - | - | - | - | |
| | | | | | | | | | | | - | - | - | - | - | 31 | 30 | 29 | - | 27 | - | 25 | 24 | 23 | 22 | 21 | 20 | - | - | - | - | - |
| MX123 CONN ASSY 73 CKT BLU OPT9 KEY C/30 | 345663433 | C-HSG-C9 | G-CAP-9-P | TPA-C9 | RS | LS | MAL | CPA | MSEAL | RSEAL | - | 71 | - | 69 | 68 | 67 | - | 65 | 64 | - | - | 61 | 60 | - | 58 | - | - | - | 54 | - | | |
| | | | | | | | | | | | - | - | 50 | 49 | 48 | 47 | - | 45 | - | 43 | - | 41 | - | - | 38 | 37 | 36 | 35 | - | - | - | - |
| | | | | | | | | | | | - | - | - | - | 32 | 31 | - | 29 | 28 | 27 | - | - | 24 | 23 | - | - | 20 | 19 | 18 | 17 | - | - |
| MX123 CONN ASSY 73 CKT BLK OPT0 KEY A/36 | 345663443 | C-HSG-A0 | G-CAP-0-P | TPA-A0 | RS | LS | MAL | CPA | MSEAL | RSEAL | 72 | - | 70 | - | 68 | 67 | 66 | - | - | - | 62 | 61 | - | 59 | 58 | - | - | - | - | - | | |
| | | | | | | | | | | | - | - | 50 | - | 48 | 47 | 46 | - | - | - | - | - | 40 | 39 | 38 | - | - | - | - | - | - | - |
| | | | | | | | | | | | - | - | - | - | - | 31 | - | 29 | - | 27 | - | 25 | 24 | - | 22 | 21 | 20 | - | - | - | - | 17 |
| MX123 CONN ASSY 73 CKT BLK OPT0 KEY A/6 | 345663453 | C-HSG-A0 | G-CAP-0-P | TPA-A0 | RS | LS | MAL | CPA | MSEAL | RSEAL | 72 | 71 | 70 | 69 | 68 | 67 | 66 | 65 | 64 | 63 | 62 | - | 60 | 59 | 58 | 57 | 56 | 55 | 54 | 53 | | |
| | | | | | | | | | | | 52 | 51 | 50 | 49 | 48 | 47 | 46 | 45 | 44 | 43 | 42 | 41 | 40 | 39 | 38 | 37 | 36 | 35 | 34 | 33 | - | - |
| | | | | | | | | | | | - | - | - | - | 32 | 31 | 30 | 29 | 28 | 27 | 26 | 25 | 24 | 23 | 22 | 21 | - | 19 | 18 | 17 | - | - |
| MX123 CONN ASSY 73 CKT GRY OPT9 KEY B/54 | 345663473 | C-HSG-B9 | G-CAP-9-P | TPA-B9 | RS | LS | MAL | CPA | MSEAL | RSEAL | - | - | - | - | - | - | - | - | - | 63 | - | - | - | - | - | - | - | - | 53 | | | |
| | | | | | | | | | | | - | - | - | - | 48 | 47 | - | 45 | - | 43 | 42 | 41 | - | 39 | - | - | - | 35 | 34 | 33 | - | - |
| | | | | | | | | | | | - | - | - | - | - | - | - | - | - | 11 | - | - | 8 | - | - | - | - | - | - | - | - | - |
| MX123 CONN ASSY 73 CKT GRY OPT0 KEY B/51 | 345663483 | C-HSG-B0 | G-CAP-0-P | TPA-B0 | RS | LS | MAL | CPA | MSEAL | RSEAL | - | - | - | - | - | - | - | 64 | 63 | 62 | - | - | 59 | 58 | - | - | - | - | 53 | | | |
| | | | | | | | | | | | - | - | - | - | - | 47 | - | 45 | - | 43 | 42 | 41 | - | 39 | - | - | - | 35 | 34 | 33 | - | - |
| | | | | | | | | | | | - | - | - | - | - | - | - | - | - | - | 26 | 25 | - | 23 | 22 | - | - | - | - | - | - | - |
| MX123 CONN ASSY 73 CKT BLK OPT0 KEY A/44 | 345663493 | C-HSG-A0 | G-CAP-0-P | TPA-A0 | RS | LS | MAL | CPA | MSEAL | RSEAL | - | 71 | - | 69 | 68 | - | - | - | 64 | 63 | 62 | - | 60 | 59 | - | - | 56 | - | - | 53 | | |
| | | | | | | | | | | | 52 | 51 | 50 | - | 48 | - | 46 | - | - | - | - | - | 40 | - | 38 | - | 36 | - | 34 | 33 | - | - |
| | | | | | | | | | | | - | - | - | - | - | 31 | - | 29 | 28 | - | - | - | - | 23 | 22 | - | - | - | - | - | - | - |
| MX123 CONN ASSY 73 CKT BLK OPT0 KEY A/32 | 345663503 | C-HSG-A0 | G-CAP-0-P | TPA-A0 | RS | LS | MAL | CPA | MSEAL | RSEAL | - | - | 70 | - | - | - | - | 65 | - | - | - | 61 | - | - | 58 | 57 | 56 | 55 | 54 | 53 | | |
| | | | | | | | | | | | - | 51 | 50 | - | - | 47 | - | 45 | - | - | - | 41 | - | - | 38 | 37 | 36 | - | 34 | - | - | - |
| | | | | | | | | | | | - | - | - | - | - | 31 | 30 | - | 28 | - | 26 | 25 | - | - | 22 | 21 | 20 | 19 | 18 | - | - | - |
| MX123 CONN ASSY 73 CKT BLK OPT0 KEY A/37 | 345663513 | C-HSG-A0 | G-CAP-0-P | TPA-A0 | RS | LS | MAL | CPA | MSEAL | RSEAL | 72 | 71 | - | - | 68 | 67 | 66 | 65 | 64 | - | - | - | - | 59 | - | - | - | - | - | | | |
| | | | | | | | | | | | - | - | 50 | - | 48 | 47 | 46 | 45 | - | - | - | - | 40 | 39 | 38 | - | - | 35 | - | 33 | - | - |
| | | | | | | | | | | | - | - | - | - | - | 31 | 30 | - | - | - | - | 25 | 24 | 23 | 22 | 21 | 20 | - | - | - | - | 17 |
| MX123 CONN ASSY 73 CKT BLK OPT0 KEY A/31 | 345663523 | C-HSG-A0 | G-CAP-0-P | TPA-A0 | RS | LS | MAL | CPA | MSEAL | RSEAL | - | 71 | - | 69 | 68 | 67 | - | 65 | 64 | - | - | 61 | 60 | 59 | 58 | 57 | - | - | - | 53 | | |
| | | | | | | | | | | | - | 51 | 50 | - | 48 | 47 | 46 | 45 | 44 | - | - | 41 | 40 | 39 | 38 | 37 | - | - | - | - | 33 | - |
| | | | | | | | | | | | - | - | - | - | 32 | - | 30 | 29 | - | 27 | - | 25 | 24 | 23 | 22 | - | - | - | - | - | - | - |
| MX123 CONN ASSY 73 CKT BLK OPT9 KEY A/31 | 345663533 | C-HSG-A9 | G-CAP-9-P | TPA-A9 | RS | LS | MAL | CPA | MSEAL | RSEAL | 72 | 71 | 70 | - | 68 | 67 | 66 | 65 | 64 | - | 62 | 61 | 60 | 59 | - | 57 | - | - | - | - | | |
| | | | | | | | | | | | - | - | 50 | - | 48 | 47 | 46 | 45 | - | - | - | - | 40 | 39 | 38 | 37 | - | - | - | - | - | - |
| | | | | | | | | | | | - | - | - | - | - | 31 | 30 | 29 | - | 27 | - | 25 | 24 | 23 | 22 | 21 | 20 | - | - | - | - | - |
| MX123 CONN ASSY 73 CKT BLK OPT9 KEY A/30 | 345663543 | C-HSG-A9 | G-CAP-9-P | TPA-A9 | RS | LS | MAL | CPA | MSEAL | RSEAL | - | 71 | - | 69 | 68 | 67 | - | 65 | 64 | - | - | 61 | 60 | - | 58 | - | - | - | 54 | - | | |
| | | | | | | | | | | | - | - | 50 | 49 | 48 | 47 | - | 45 | - | 43 | - | 41 | - | - | 38 | 37 | 36 | 35 | - | - | - | - |
| | | | | | | | | | | | - | - | - | - | 32 | 31 | - | 29 | 28 | 27 | - | - | 24 | 23 | - | - | 20 | 19 | 18 | 17 | - | - |

| ASSEMBLY DESCRIPTION | ASSEMBLY PART NUMBER | CONNECTOR HOUSING | GROMMET CAP | TPA | RIGHT SLIDE | LEFT SLIDE | MATE ASSIST LEVER | CPA | MAT SEAL | RING SEAL | BLOCKED TERMINALS | | | | | | | | | | | | | | | | | | | | STATUS | COMMENTS | INTEGRAL COMPONENTS SOLD SEPARATELY | | | | | | | | | | | |
|--|----------------------|-------------------|-------------|--------|-------------|------------|-------------------|-----|----------|-----------|--|----|----|----|----|----|----|----|----|----|----|----|----|----|----|----|----|----|----|---|--------|----------|-------------------------------------|---|---|---|---|---|----------|----------|-----------|-----------|-----------|-----------|
| | | | | | | | | | | | CAVITY WITH A NUMBER INDICATES BLOCKED TERMINAL POSITION | | | | | | | | | | | | | | | | | | | | | | DRESS COVER | | | | | | | | | | | |
| | | | | | | | | | | | CAVITY WITHOUT A NUMBER INDICATES OPEN TERMINAL POSITION | | | | | | | | | | | | | | | | | | | | | | | | | | | | | | | | | |
| MX123 CONN ASSY 73 CKT BLU OPT9 KEY C/60 | 345663553 | C-HSG-C9 | G-CAP-9-P | TPA-C9 | RS | LS | MAL | CPA | MSEAL | RSEAL | - | - | - | - | - | - | - | - | - | - | - | 64 | - | - | - | - | - | - | - | - | - | - | - | - | - | - | - | - | - | SALEABLE | | 345650003 | | |
| MX123 CONN ASSY 73 CKT BLU OPT9 KEY C/37 | 345663563 | C-HSG-C9 | G-CAP-9-P | TPA-C9 | RS | LS | MAL | CPA | MSEAL | RSEAL | - | - | - | 69 | - | - | - | 65 | 64 | - | - | 61 | 60 | - | 58 | - | 56 | 55 | 54 | - | - | - | - | - | - | - | - | - | SALEABLE | | 345650003 | | | |
| MX123 CONN ASSY 73 CKT BLU OPT9 KEY C/41 | 345663573 | C-HSG-C9 | G-CAP-9-P | TPA-C9 | RS | LS | MAL | CPA | MSEAL | RSEAL | 72 | 71 | - | - | - | 67 | 66 | 65 | 64 | - | - | - | 60 | 59 | - | - | - | - | - | - | - | - | - | - | - | - | - | - | - | - | SALEABLE | | 345650003 | |
| MX123 CONN ASSY 73 CKT BLK OPT9 KEY A/38 | 345663583 | C-HSG-A9 | G-CAP-9-P | TPA-A9 | RS | LS | MAL | CPA | MSEAL | RSEAL | 72 | 71 | - | - | 68 | 67 | 66 | 65 | 64 | - | - | - | 60 | 59 | - | - | - | - | - | - | - | - | - | - | - | - | - | - | - | - | SALEABLE | | 345650003 | |
| MX123 CONN ASSY 73 CKT BLK OPT0 KEY A/36 | 345663593 | C-HSG-A0 | G-CAP-0-P | TPA-A0 | RS | LS | MAL | CPA | MSEAL | RSEAL | 72 | - | 70 | - | 68 | 67 | 66 | 65 | - | - | 62 | 61 | - | 59 | - | - | - | - | - | - | - | - | - | - | - | - | - | - | - | SALEABLE | | 345650003 | | |
| MX123 CONN ASSY 73 CKT GRY OPT0 KEY B/52 | 345663603 | C-HSG-B0 | G-CAP-0-P | TPA-B0 | RS | LS | MAL | CPA | MSEAL | RSEAL | 72 | 71 | 70 | 69 | - | 67 | 66 | 65 | - | 63 | 62 | 61 | 60 | - | 58 | - | 56 | - | 54 | - | - | - | - | - | - | - | - | - | - | SALEABLE | | 345650003 | | |
| MX123 CONN ASSY 73 CKT GRY OPT0 KEY B/20 | 345663613 | C-HSG-B0 | G-CAP-0-P | TPA-B0 | RS | LS | MAL | CPA | MSEAL | RSEAL | 72 | 71 | 70 | 69 | - | 66 | 65 | - | - | 62 | 61 | 60 | - | 58 | 57 | 56 | 55 | 54 | 53 | - | - | - | - | - | - | - | - | - | - | SALEABLE | | 345650003 | | |
| MX123 CONN ASSY 73 CKT BLK OPT0 KEY A/40 | 345663623 | C-HSG-A0 | G-CAP-0-P | TPA-A0 | RS | LS | MAL | CPA | MSEAL | RSEAL | - | 71 | - | - | 68 | 67 | 66 | 65 | 64 | - | - | - | - | - | - | - | - | - | - | - | - | - | - | - | - | - | - | - | - | - | - | SALEABLE | | 345650003 |
| MX123 CONN ASSY 73 CKT BLU OPT0 KEY C/42 | 345663633 | C-HSG-C0 | G-CAP-0-P | TPA-C0 | RS | LS | MAL | CPA | MSEAL | RSEAL | - | - | 50 | 49 | - | - | - | 65 | 64 | - | - | 61 | 60 | - | 58 | - | 56 | 55 | 54 | - | - | - | - | - | - | - | - | - | - | SALEABLE | | 345650003 | | |
| MX123 CONN ASSY 73 CKT GRY OPT0 KEY B/38 | 345663643 | C-HSG-B0 | G-CAP-0-P | TPA-B0 | RS | LS | MAL | CPA | MSEAL | RSEAL | - | - | - | 69 | - | - | - | 65 | - | - | 62 | 61 | 60 | - | 58 | 57 | 56 | 55 | 54 | - | - | - | - | - | - | - | - | - | - | SALEABLE | | 345650003 | | |
| MX123 CONN ASSY 73 CKT GRY OPT0 KEY B/44 | 345663653 | C-HSG-B0 | G-CAP-0-P | TPA-B0 | RS | LS | MAL | CPA | MSEAL | RSEAL | - | - | - | - | - | 67 | - | - | - | - | 62 | 61 | 60 | - | 58 | 57 | 56 | 55 | 54 | - | - | - | - | - | - | - | - | - | - | SALEABLE | | 345650003 | | |
| MX123 CONN ASSY 73 CKT BLK OPT0 KEY A/41 | 345663663 | C-HSG-A0 | G-CAP-0-P | TPA-A0 | RS | LS | MAL | CPA | MSEAL | RSEAL | - | 71 | - | - | 68 | 67 | 66 | 65 | 64 | - | - | - | - | - | - | - | - | - | - | - | - | - | - | - | - | - | - | - | - | - | - | SALEABLE | | 345650003 |

| ASSEMBLY DESCRIPTION | ASSEMBLY PART NUMBER | CONNECTOR HOUSING | GROMMET CAP | TPA | RIGHT SLIDE | LEFT SLIDE | MATE ASSIST LEVER | CPA | MAT SEAL | RING SEAL | BLOCKED TERMINALS | | | | | | | | | | | | | | | | | | STATUS | COMMENTS | INTEGRAL COMPONENTS SOLD SEPARATELY | | | |
|--|----------------------|-------------------|-------------|--------|-------------|------------|-------------------|-----|----------|-----------|--|----|----|----|----|----|----|----|----|----|----|----|----|----|----|----|----|----|--------|----------|-------------------------------------|-----------|-----------|-----------|
| | | | | | | | | | | | CAVITY WITH A NUMBER INDICATES BLOCKED TERMINAL POSITION | | | | | | | | | | | | | | | | | | | | DRESS COVER | | | |
| | | | | | | | | | | | CAVITY WITHOUT A NUMBER INDICATES OPEN TERMINAL POSITION | | | | | | | | | | | | | | | | | | | | | | | |
| MX123 CONN ASSY 73 CKT BLK OPT0 KEY A/32 | 345663803 | C-HSG-A0 | G-CAP-0-P | TPA-A0 | RS | LS | MAL | CPA | MSEAL | RSEAL | - | - | 70 | - | - | - | - | 65 | - | - | - | 61 | 60 | - | 58 | 57 | - | 55 | 54 | - | SALEABLE | | 345650003 | |
| | | | | | | | | | | | 52 | 51 | - | 49 | - | 47 | - | 45 | - | - | - | 41 | 40 | - | 38 | 37 | - | - | 34 | - | | | | |
| | | | | | | | | | | | - | | | | | | | | | | | | | | | | | | 16 | 15 | | | | - |
| MX123 CONN ASSY 73 CKT BLU OPT0 KEY C/42 | 345663813 | C-HSG-C0 | G-CAP-0-P | TPA-C0 | RS | LS | MAL | CPA | MSEAL | RSEAL | - | 71 | - | 69 | - | 67 | - | 65 | 64 | - | - | 61 | 60 | - | 58 | - | 56 | 55 | 54 | - | SALEABLE | | 345650003 | |
| | | | | | | | | | | | - | - | 50 | 49 | - | - | - | 45 | - | 43 | - | 41 | - | - | - | - | - | 35 | - | - | | | | |
| | | | | | | | | | | | - | | | | | | | | | | | | | | | | | | 16 | - | | | | - |
| MX123 CONN ASSY 73 CKT BLK OPT0 KEY A/30 | 345663823 | C-HSG-A0 | G-CAP-0-P | TPA-A0 | RS | LS | MAL | CPA | MSEAL | RSEAL | 72 | 71 | - | - | 68 | 67 | 66 | 65 | 64 | - | - | 62 | - | 60 | 59 | - | - | - | - | - | - | SALEABLE | | 345650003 |
| | | | | | | | | | | | - | - | 50 | - | 48 | 47 | 46 | 45 | - | - | 42 | - | 40 | 39 | 38 | - | - | 35 | - | 33 | | | | |
| | | | | | | | | | | | - | | | | | | | | | | | | | | | | | | - | 31 | 30 | | | |
| MX123 CONN ASSY 73 CKT BLK OPT0 KEY A/37 | 345663833 | C-HSG-A0 | G-CAP-0-P | TPA-A0 | RS | LS | MAL | CPA | MSEAL | RSEAL | 72 | 71 | - | - | 68 | 67 | 66 | 65 | 64 | - | - | - | 60 | 59 | 58 | - | - | - | - | - | SALEABLE | | 345650003 | |
| | | | | | | | | | | | - | - | 50 | - | 48 | 47 | 46 | 45 | - | - | - | - | 40 | 39 | 38 | - | - | 35 | - | 33 | | | | |
| | | | | | | | | | | | - | | | | | | | | | | | | | | | | | | - | 31 | | | | 30 |
| MX123 CONN ASSY 73 CKT BLK OPT0 KEY A/51 | 345663843 | C-HSG-A0 | G-CAP-0-P | TPA-A0 | RS | LS | MAL | CPA | MSEAL | RSEAL | - | - | - | - | - | - | - | 65 | - | - | - | 61 | - | - | 58 | 57 | 56 | - | - | - | SALEABLE | | 345650003 | |
| | | | | | | | | | | | - | 51 | 50 | - | - | 47 | 46 | 45 | - | - | - | - | - | - | 38 | 37 | 36 | - | - | - | | | | |
| | | | | | | | | | | | - | | | | | | | | | | | | | | | | | | - | 31 | | | | 30 |
| MX123 CONN ASSY 73 CKT BLK OPT0 KEY A/53 | 345663853 | C-HSG-A0 | G-CAP-0-P | TPA-A0 | RS | LS | MAL | CPA | MSEAL | RSEAL | - | - | - | - | - | - | - | - | - | - | - | 61 | - | - | 58 | 57 | 56 | - | - | - | SALEABLE | | 345650003 | |
| | | | | | | | | | | | - | 51 | 50 | - | - | 47 | 46 | - | - | - | - | - | - | - | 38 | 37 | 36 | - | - | - | | | | |
| | | | | | | | | | | | - | | | | | | | | | | | | | | | | | | - | 31 | | | | 30 |
| MX123 CONN ASSY 73 CKT GRY OPT0 KEY B/51 | 345663863 | C-HSG-B0 | G-CAP-0-P | TPA-B0 | RS | LS | MAL | CPA | MSEAL | RSEAL | - | - | - | 69 | - | - | - | 65 | 64 | 63 | - | - | - | - | - | - | - | - | - | SALEABLE | | 345650003 | | |
| | | | | | | | | | | | - | - | - | 49 | - | - | - | 45 | 44 | 43 | - | - | - | - | - | - | - | - | - | | | | - | |
| | | | | | | | | | | | - | | | | | | | | | | | | | | | | | | - | | | | - | - |
| MX123 CONN ASSY 73 CKT GRY OPT0 KEY B/34 | 345663873 | C-HSG-B0 | G-CAP-0-P | TPA-B0 | RS | LS | MAL | CPA | MSEAL | RSEAL | 72 | 71 | 70 | 69 | 68 | 67 | 66 | 65 | 64 | - | 62 | 61 | 60 | - | - | - | - | 54 | 53 | SALEABLE | | 345650003 | | |
| | | | | | | | | | | | 52 | 51 | - | - | - | 47 | - | - | 44 | - | 42 | 41 | 40 | - | - | - | - | - | - | | | | 33 | |
| | | | | | | | | | | | - | | | | | | | | | | | | | | | | | | 32 | | | | 31 | 30 |
| MX123 CONN ASSY 73 CKT GRY OPT0 KEY B/35 | 345663883 | C-HSG-B0 | G-CAP-0-P | TPA-B0 | RS | LS | MAL | CPA | MSEAL | RSEAL | 72 | 71 | 70 | 69 | 68 | - | - | 65 | 64 | 63 | 62 | 61 | 60 | - | - | - | - | 54 | - | SALEABLE | | 345650003 | | |
| | | | | | | | | | | | 52 | 51 | - | - | - | 47 | 46 | - | 44 | 43 | 42 | 41 | 40 | - | - | - | - | - | - | | | | | |
| | | | | | | | | | | | - | | | | | | | | | | | | | | | | | | 32 | | | | 31 | 30 |
| MX123 CONN ASSY 73 CKT BLU OPT0 KEY C/34 | 345663893 | C-HSG-C0 | G-CAP-0-P | TPA-C0 | RS | LS | MAL | CPA | MSEAL | RSEAL | - | 71 | - | 69 | - | - | - | 65 | 64 | - | - | 61 | 60 | - | 58 | - | 56 | 55 | 54 | - | SALEABLE | | 345650003 | |
| | | | | | | | | | | | - | - | 50 | 49 | - | - | - | 45 | - | 43 | - | 41 | 40 | 39 | 38 | 37 | 36 | 35 | - | - | | | | |
| | | | | | | | | | | | - | | | | | | | | | | | | | | | | | | 16 | - | | | | - |
| MX123 CONN ASSY 73 CKT GRY OPT0 KEY B/54 | 345663903 | C-HSG-B0 | G-CAP-0-P | TPA-B0 | RS | LS | MAL | CPA | MSEAL | RSEAL | 72 | 71 | 70 | 69 | 68 | 67 | 66 | - | 64 | 63 | 62 | 61 | 60 | - | 58 | - | 56 | - | 54 | - | SALEABLE | | 345650003 | |
| | | | | | | | | | | | 52 | 51 | 50 | - | - | 47 | - | 45 | - | 43 | 42 | 41 | 40 | - | 38 | - | 36 | - | 34 | - | | | | |
| | | | | | | | | | | | - | | | | | | | | | | | | | | | | | | 16 | 15 | | | | 14 |
| MX123 CONN ASSY 73 CKT BLK OPT0 KEY A/39 | 345663913 | C-HSG-A0 | G-CAP-0-P | TPA-A0 | RS | LS | MAL | CPA | MSEAL | RSEAL | 72 | - | - | - | 68 | 67 | 66 | 65 | - | - | 62 | 61 | - | 59 | - | - | - | - | - | SALEABLE | | 345650003 | | |
| | | | | | | | | | | | - | - | 50 | - | 48 | 47 | 46 | - | - | - | - | 40 | 39 | 38 | - | - | 35 | - | 33 | | | | | |
| | | | | | | | | | | | - | | | | | | | | | | | | | | | | | | - | | | | 31 | - |

| ASSEMBLY DESCRIPTION | ASSEMBLY PART NUMBER | CONNECTOR HOUSING | GROMMET CAP | TPA | RIGHT SLIDE | LEFT SLIDE | MATE ASSIST LEVER | CPA | MAT SEAL | RING SEAL | BLOCKED TERMINALS | | | | | | | | | | | | | | | | | | STATUS | COMMENTS | INTEGRAL COMPONENTS SOLD SEPARATELY | | |
|--|----------------------|-------------------|-------------|--------|-------------|------------|-------------------|-----|----------|-----------|--|----|----|----|----|----|----|----|----|----|----|----|----|----|----|----|----|----|--------|----------|-------------------------------------|----|----|
| | | | | | | | | | | | CAVITY WITH A NUMBER INDICATES BLOCKED TERMINAL POSITION | | | | | | | | | | | | | | | | | | | | DRESS COVER | | |
| | | | | | | | | | | | CAVITY WITHOUT A NUMBER INDICATES OPEN TERMINAL POSITION | | | | | | | | | | | | | | | | | | | | | | |
| MX123 CONN ASSY 73 CKT GRY OPT0 KEY B/36 | 345663923 | C-HSG-B0 | G-CAP-0-P | TPA-B0 | RS | LS | MAL | CPA | MSEAL | RSEAL | - | 71 | - | 69 | - | 67 | - | 65 | 64 | 63 | 62 | 61 | - | - | 58 | 57 | 56 | - | - | - | | | |
| | | | | | | | | | | | - | 51 | - | 49 | - | 47 | - | 45 | 44 | 43 | 42 | 41 | - | - | 38 | 37 | 36 | - | - | - | | | |
| | | | | | | | | | | | | | | | | | | | | | | | | | | | | | - | 22 | 21 | 20 | - |
| MX123 CONN ASSY 73 CKT BLK OPT0 KEY A/35 | 345663933 | C-HSG-A0 | G-CAP-0-P | TPA-A0 | RS | LS | MAL | CPA | MSEAL | RSEAL | 72 | - | - | - | 68 | 67 | 66 | 65 | - | - | 62 | 61 | - | 59 | - | - | - | - | - | | | | |
| | | | | | | | | | | | - | - | 50 | - | 48 | 47 | 46 | - | - | - | - | 40 | 39 | 38 | - | - | 35 | - | 33 | | | | |
| | | | | | | | | | | | | | | | | | | | | | | | | | | | | | - | 31 | - | 29 | - |
| MX123 CONN ASSY 73 CKT BLU OPT0 KEY C/32 | 345663943 | C-HSG-C0 | G-CAP-0-P | TPA-C0 | RS | LS | MAL | CPA | MSEAL | RSEAL | - | 71 | - | 69 | - | 67 | - | 65 | 64 | 63 | 62 | 61 | - | - | 58 | 57 | 56 | - | - | - | | | |
| | | | | | | | | | | | - | 51 | - | 49 | - | 47 | - | 45 | 44 | 43 | 42 | 41 | - | - | 38 | 37 | 36 | - | - | - | | | |
| | | | | | | | | | | | | | | | | | | | | | | | | | | | | | - | - | - | - | - |
| MX123 CONN ASSY 73 CKT BLU OPT0 KEY C/35 | 345663953 | C-HSG-C0 | G-CAP-0-P | TPA-C0 | RS | LS | MAL | CPA | MSEAL | RSEAL | - | 71 | - | 69 | - | 67 | 66 | 65 | 64 | - | - | 61 | 60 | - | 58 | - | 56 | 55 | 54 | - | | | |
| | | | | | | | | | | | - | - | 50 | 49 | - | - | - | 45 | - | 43 | - | 41 | - | - | 38 | 37 | 36 | 35 | - | - | | | |
| | | | | | | | | | | | | | | | | | | | | | | | | | | | | | - | 31 | - | 29 | 28 |
| MX123 CONN ASSY 73 CKT BLU OPT0 KEY C/36 | 345663963 | C-HSG-C0 | G-CAP-0-P | TPA-C0 | RS | LS | MAL | CPA | MSEAL | RSEAL | - | 71 | - | 69 | - | - | - | 65 | 64 | - | - | 61 | 60 | - | 58 | - | 56 | 55 | 54 | - | | | |
| | | | | | | | | | | | - | - | 50 | 49 | - | - | - | 45 | - | 43 | - | 41 | - | - | 37 | 36 | 35 | - | - | | | | |
| | | | | | | | | | | | | | | | | | | | | | | | | | | | | | - | 31 | - | 29 | 28 |
| MX123 CONN ASSY 73 CKT BLU OPT0 KEY C/33 | 345663973 | C-HSG-C0 | G-CAP-0-P | TPA-C0 | RS | LS | MAL | CPA | MSEAL | RSEAL | - | 71 | - | 69 | - | - | 66 | 65 | 64 | - | - | 61 | 60 | - | 58 | - | 56 | 55 | 54 | - | | | |
| | | | | | | | | | | | - | - | 50 | 49 | - | - | - | 45 | - | 43 | - | 41 | - | - | 37 | 36 | 35 | - | - | | | | |
| | | | | | | | | | | | | | | | | | | | | | | | | | | | | | - | 31 | - | 29 | 28 |
| MX123 CONN ASSY 73 CKT BLU OPT0 KEY C/38 | 345663983 | C-HSG-C0 | G-CAP-0-P | TPA-C0 | RS | LS | MAL | CPA | MSEAL | RSEAL | - | 71 | - | 69 | - | - | - | 65 | 64 | - | - | 61 | 60 | - | 58 | - | 56 | 55 | 54 | - | | | |
| | | | | | | | | | | | - | - | 50 | 49 | - | - | - | 45 | - | 43 | - | 41 | - | - | 37 | 36 | 35 | - | - | | | | |
| | | | | | | | | | | | | | | | | | | | | | | | | | | | | | - | 31 | - | 29 | 28 |
| MX123 CONN ASSY 73 CKT BLK OPT0 KEY A/38 | 345663983 | C-HSG-A0 | G-CAP-0-P | TPA-A0 | RS | LS | MAL | CPA | MSEAL | RSEAL | - | - | - | - | 68 | 67 | 66 | 65 | - | - | 62 | 61 | - | - | - | - | - | - | - | | | | |
| | | | | | | | | | | | - | - | 50 | - | 48 | 47 | 46 | - | - | - | - | - | 39 | 38 | - | - | 35 | - | 33 | | | | |
| | | | | | | | | | | | | | | | | | | | | | | | | | | | | | - | 31 | - | 29 | - |
| MX123 CONN ASSY 73 CKT BLK OPT0 KEY A/38 | 345663993 | C-HSG-A0 | G-CAP-0-P | TPA-A0 | RS | LS | MAL | CPA | MSEAL | RSEAL | 72 | 71 | - | - | 68 | 67 | 66 | 65 | 64 | - | - | - | - | 59 | - | - | - | - | - | | | | |
| | | | | | | | | | | | - | - | 50 | - | 48 | 47 | 46 | 45 | - | - | - | - | 39 | 38 | - | - | 35 | - | 33 | | | | |
| | | | | | | | | | | | | | | | | | | | | | | | | | | | | | - | 31 | 30 | - | - |
| MX123 CONN ASSY 73 CKT GRY OPT0 KEY B/44 | 345664003 | C-HSG-B0 | G-CAP-0-P | TPA-B0 | RS | LS | MAL | CPA | MSEAL | RSEAL | 72 | 71 | 70 | 69 | 68 | - | - | 65 | - | - | 62 | 61 | 60 | - | 58 | - | 56 | - | 54 | - | | | |
| | | | | | | | | | | | 52 | 51 | - | - | - | 47 | 46 | 45 | 44 | - | 42 | 41 | 40 | - | 38 | - | 36 | - | 34 | - | | | |
| | | | | | | | | | | | | | | | | | | | | | | | | | | | | | - | 31 | 30 | - | 28 |
| MX123 CONN ASSY 73 CKT GRY OPT0 KEY B/34 | 345664013 | C-HSG-B0 | G-CAP-0-P | TPA-B0 | RS | LS | MAL | CPA | MSEAL | RSEAL | - | 71 | - | 69 | - | 67 | - | 65 | 64 | 63 | 62 | 61 | - | - | 58 | 57 | 56 | - | - | - | | | |
| | | | | | | | | | | | - | 51 | - | 49 | - | 47 | - | 45 | 44 | 43 | 42 | 41 | - | - | 38 | 37 | 36 | - | - | - | | | |
| | | | | | | | | | | | | | | | | | | | | | | | | | | | | | - | - | - | - | - |
| MX123 CONN ASSY 73 CKT GRY OPT0 KEY B/49 | 345664023 | C-HSG-B0 | G-CAP-0-P | TPA-B0 | RS | LS | MAL | CPA | MSEAL | RSEAL | - | - | - | 69 | - | - | - | 65 | 64 | 63 | - | - | - | - | - | - | - | - | | | | | |
| | | | | | | | | | | | - | - | - | 49 | - | - | - | 45 | 44 | 43 | - | - | - | - | - | - | - | - | - | | | | |
| | | | | | | | | | | | | | | | | | | | | | | | | | | | | | - | - | - | - | - |
| MX123 CONN ASSY 73 CKT BLU OPT0 KEY C/36 | 345664033 | C-HSG-C0 | G-CAP-0-P | TPA-C0 | RS | LS | MAL | CPA | MSEAL | RSEAL | - | 71 | - | 69 | - | 67 | 66 | 65 | 64 | - | - | 61 | 60 | - | - | - | 56 | 55 | 54 | - | | | |
| | | | | | | | | | | | - | - | 50 | 49 | - | - | 46 | 45 | - | 43 | - | 41 | - | - | 37 | 36 | 35 | - | - | | | | |
| | | | | | | | | | | | | | | | | | | | | | | | | | | | | | - | 31 | - | 29 | 28 |

| ASSEMBLY DESCRIPTION | ASSEMBLY PART NUMBER | CONNECTOR HOUSING | GROMMET CAP | TPA | RIGHT SLIDE | LEFT SLIDE | MATE ASSIST LEVER | CPA | MAT SEAL | RING SEAL | BLOCKED TERMINALS | | | | | | | | | | | | | | | | STATUS | COMMENTS | INTEGRAL COMPONENTS SOLD SEPARATELY | | | | | | | | | | | | | |
|--|----------------------|-------------------|-------------|--------|-------------|------------|-------------------|-----|----------|-----------|--|----|----|----|----|----|----|----|----|----|----|----|----|----|----|----|--------|----------|-------------------------------------|----|----|----|----|----|----|----|----|----|----|----|----|----|
| | | | | | | | | | | | CAVITY WITH A NUMBER INDICATES BLOCKED TERMINAL POSITION | | | | | | | | | | | | | | | | | | DRESS COVER | | | | | | | | | | | | | |
| | | | | | | | | | | | CAVITY WITHOUT A NUMBER INDICATES OPEN TERMINAL POSITION | | | | | | | | | | | | | | | | | | | | | | | | | | | | | | | |
| MX123 CONN ASSY 73 CKT BLK OPT0 KEY A/36 | 345664043 | C-HSG-A0 | G-CAP-0-P | TPA-A0 | RS | LS | MAL | CPA | MSEAL | RSEAL | 72 | - | - | - | 68 | - | 66 | 65 | - | - | 62 | 61 | - | 59 | 58 | - | - | - | - | - | - | | | | | | | | | | | |
| | | | | | | | | | | | - | - | 50 | - | 48 | 47 | 46 | - | - | - | - | - | 40 | 39 | 38 | - | - | 35 | - | 33 | | | | | | | | | | | | |
| | | | | | | | | | | | | | | | | | | | | | | | | | | | - | 31 | - | 29 | - | 27 | - | 25 | 24 | - | 22 | 21 | 20 | - | - | 17 |
| | | | | | | | | | | | | | | | | | | | | | | | | | | | - | - | 14 | 13 | - | 11 | - | 9 | 8 | 7 | 6 | 5 | 4 | - | 2 | 1 |
| MX123 CONN ASSY 73 CKT BLK OPT0 KEY A/43 | 345664053 | C-HSG-A0 | G-CAP-0-P | TPA-A0 | RS | LS | MAL | CPA | MSEAL | RSEAL | - | 71 | 70 | - | 68 | - | - | - | 64 | - | 62 | 61 | - | 59 | 58 | - | - | 55 | 54 | - | | | | | | | | | | | | |
| | | | | | | | | | | | 52 | 51 | 50 | - | 48 | - | - | 45 | - | - | - | 41 | - | 39 | 38 | - | - | - | 34 | - | | | | | | | | | | | | |
| | | | | | | | | | | | | | | | | | | | | | | | | | | | 32 | - | - | - | - | - | - | 25 | - | 23 | 22 | - | - | 19 | 18 | - |
| | | | | | | | | | | | | | | | | | | | | | | | | | | | - | - | - | - | 12 | - | - | 9 | 8 | 7 | 6 | - | - | - | - | - |
| MX123 CONN ASSY 73 CKT GRY OPT0 KEY B/24 | 345664063 | C-HSG-B0 | G-CAP-0-P | TPA-B0 | RS | LS | MAL | CPA | MSEAL | RSEAL | 72 | 71 | 70 | 69 | - | - | 66 | 65 | - | 63 | 62 | 61 | 60 | - | - | 57 | 56 | 55 | - | 53 | | | | | | | | | | | | |
| | | | | | | | | | | | 52 | 51 | 50 | 49 | 48 | 47 | - | - | 44 | 43 | 42 | 41 | 40 | - | - | 37 | 36 | 35 | 34 | 33 | | | | | | | | | | | | |
| | | | | | | | | | | | | | | | | | | | | | | | | | | | - | 31 | - | - | - | - | 26 | 25 | 24 | - | - | 21 | 20 | 19 | 18 | - |
| | | | | | | | | | | | | | | | | | | | | | | | | | | | 16 | - | 14 | - | 12 | 11 | - | 9 | - | 7 | 6 | 5 | 4 | 3 | 2 | - |
| MX123 CONN ASSY 73 CKT BLK OPT0 KEY A/36 | 345664073 | C-HSG-A0 | G-CAP-0-P | TPA-A0 | RS | LS | MAL | CPA | MSEAL | RSEAL | - | 71 | - | 69 | 68 | 67 | - | 65 | 64 | - | - | 61 | 60 | - | 58 | - | - | - | 54 | - | | | | | | | | | | | | |
| | | | | | | | | | | | - | - | 50 | 49 | 48 | 47 | - | 45 | - | 43 | - | 41 | - | - | 38 | - | - | 35 | - | - | | | | | | | | | | | | |
| | | | | | | | | | | | | | | | | | | | | | | | | | | | - | 31 | - | 29 | 28 | 27 | - | - | 24 | 23 | - | - | 20 | - | - | 17 |
| | | | | | | | | | | | | | | | | | | | | | | | | | | | 16 | - | - | 13 | 12 | 11 | - | - | 8 | 7 | - | 5 | 4 | - | 2 | 1 |
| MX123 CONN ASSY 73 CKT BLU OPT0 KEY C/42 | 345664083 | C-HSG-C0 | G-CAP-0-P | TPA-C0 | RS | LS | MAL | CPA | MSEAL | RSEAL | - | 71 | - | 69 | - | 67 | 66 | 65 | 64 | - | - | 61 | 60 | - | - | - | 56 | 55 | 54 | - | | | | | | | | | | | | |
| | | | | | | | | | | | - | - | 50 | 49 | - | - | 46 | 45 | - | 43 | - | 41 | - | - | - | - | - | 35 | - | - | | | | | | | | | | | | |
| | | | | | | | | | | | | | | | | | | | | | | | | | | | - | 31 | - | 29 | 28 | - | - | - | - | 23 | - | - | - | 19 | 18 | - |
| | | | | | | | | | | | | | | | | | | | | | | | | | | | 16 | - | - | - | 12 | 11 | 10 | 9 | - | 7 | - | - | - | 3 | - | - |
| MX123 CONN ASSY 73 CKT BLK OPT0 KEY A/37 | 345664093 | C-HSG-A0 | G-CAP-0-P | TPA-A0 | RS | LS | MAL | CPA | MSEAL | RSEAL | 72 | - | - | - | 68 | - | 66 | 65 | - | - | 62 | 61 | - | 59 | 58 | - | - | - | - | - | | | | | | | | | | | | |
| | | | | | | | | | | | - | - | 50 | - | 48 | - | 46 | - | - | - | - | - | 40 | 39 | 38 | - | - | 35 | - | 33 | | | | | | | | | | | | |
| | | | | | | | | | | | | | | | | | | | | | | | | | | | - | 31 | - | 29 | - | 27 | - | 25 | 24 | - | 22 | 21 | 20 | - | - | 17 |
| | | | | | | | | | | | | | | | | | | | | | | | | | | | - | - | 14 | 13 | - | 11 | - | 9 | 8 | 7 | 6 | 5 | 4 | - | 2 | 1 |
| MX123 CONN ASSY 73 CKT BLK OPT0 KEY A/29 | 345664103 | C-HSG-A0 | G-CAP-0-P | TPA-A0 | RS | LS | MAL | CPA | MSEAL | RSEAL | - | - | 70 | - | - | - | - | 65 | - | - | - | 61 | - | - | 58 | 57 | 56 | 55 | 54 | 53 | | | | | | | | | | | | |
| | | | | | | | | | | | - | 51 | 50 | - | - | 47 | - | - | - | - | - | 41 | - | - | 38 | 37 | 36 | - | 34 | - | | | | | | | | | | | | |
| | | | | | | | | | | | | | | | | | | | | | | | | | | | - | 31 | 30 | - | 28 | - | - | 25 | - | - | 22 | 21 | 20 | 19 | 18 | - |
| | | | | | | | | | | | | | | | | | | | | | | | | | | | 16 | 15 | - | - | - | - | - | - | - | - | - | - | - | - | - | - |
| MX123 CONN ASSY 73 CKT GRY OPT0 KEY B/19 | 345664113 | C-HSG-B0 | G-CAP-0-P | TPA-B0 | RS | LS | MAL | CPA | MSEAL | RSEAL | 72 | 71 | 70 | 69 | - | - | 66 | 65 | - | 63 | 62 | 61 | 60 | 59 | - | 57 | 56 | 55 | 54 | 53 | | | | | | | | | | | | |
| | | | | | | | | | | | 52 | 51 | 50 | 49 | 48 | 47 | - | - | 44 | 43 | 42 | 41 | 40 | 39 | - | 37 | 36 | 35 | 34 | 33 | | | | | | | | | | | | |
| | | | | | | | | | | | | | | | | | | | | | | | | | | | - | 31 | - | - | - | - | 26 | 25 | 24 | 23 | - | 21 | 20 | 19 | 18 | - |
| | | | | | | | | | | | | | | | | | | | | | | | | | | | 16 | - | 14 | - | 12 | 11 | - | 9 | 8 | 7 | 6 | 5 | 4 | 3 | 2 | - |
| MX123 CONN ASSY 73 CKT BLK OPT9 KEY A/42 | 345664123 | C-HSG-A9 | G-CAP-9-P | TPA-A9 | RS | LS | MAL | CPA | MSEAL | RSEAL | - | 71 | 70 | - | 68 | - | - | - | 64 | - | 62 | 61 | - | 59 | 58 | - | - | 55 | 54 | - | | | | | | | | | | | | |
| | | | | | | | | | | | 52 | 51 | 50 | - | 48 | - | - | 45 | - | - | - | 41 | - | 39 | 38 | - | - | - | 34 | - | | | | | | | | | | | | |
| | | | | | | | | | | | | | | | | | | | | | | | | | | | 32 | - | - | - | - | 27 | - | 25 | - | 23 | 22 | - | - | 19 | 18 | - |
| | | | | | | | | | | | | | | | | | | | | | | | | | | | - | - | - | - | 12 | - | - | 9 | 8 | 7 | 6 | - | - | - | - | - |
| MX123 CONN ASSY 73 CKT GRY OPT9 KEY B/25 | 345664133 | C-HSG-B9 | G-CAP-9-P | TPA-B9 | RS | LS | MAL | CPA | MSEAL | RSEAL | 72 | 71 | 70 | 69 | - | - | 66 | 65 | - | 63 | 62 | 61 | 60 | - | - | 57 | 56 | 55 | - | 53 | | | | | | | | | | | | |
| | | | | | | | | | | | 52 | 51 | 50 | 49 | 48 | 47 | - | - | 44 | 43 | 42 | 41 | 40 | - | - | 37 | 36 | 35 | 34 | 33 | | | | | | | | | | | | |
| | | | | | | | | | | | | | | | | | | | | | | | | | | | - | 31 | - | - | - | - | 26 | 25 | 24 | - | - | 21 | 20 | 19 | 18 | - |
| | | | | | | | | | | | | | | | | | | | | | | | | | | | 16 | - | 14 | - | 12 | 11 | - | - | - | 7 | 6 | 5 | 4 | 3 | 2 | - |
| MX123 CONN ASSY 73 CKT GRY OPT0 KEY B/22 | 345664143 | C-HSG-B0 | G-CAP-0-P | TPA-B0 | RS | LS | MAL | CPA | MSEAL | RSEAL | 72 | 71 | 70 | 69 | - | - | 66 | 65 | - | 63 | 62 | 61 | 60 | - | - | 57 | 56 | 55 | - | 53 | | | | | | | | | | | | |
| | | | | | | | | | | | 52 | 51 | 50 | 49 | 48 | 47 | - | - | 44 | 43 | 42 | 41 | 40 | - | - | 37 | 36 | 35 | 34 | 33 | | | | | | | | | | | | |
| | | | | | | | | | | | | | | | | | | | | | | | | | | | - | 31 | - | - | - | - | 26 | 25 | 24 | - | - | 21 | 20 | 19 | 18 | - |
| | | | | | | | | | | | | | | | | | | | | | | | | | | | 16 | 15 | 14 | 13 | 12 | 11 | - | - | 8 | 7 | 6 | 5 | 4 | 3 | 2 | - |
| MX123 CONN ASSY 73 CKT GRY OPT0 KEY B/37 | 345664153 | C-HSG-B0 | G-CAP-0-P | TPA-B0 | RS | LS | MAL | CPA | MSEAL | RSEAL | - | 71 | - | 69 | - | 67 | - | 65 | 64 | 63 | 62 | 61 | - | - | 58 | 57 | 56 | - | - | - | | | | | | | | | | | | |
| | | | | | | | | | | | - | 51 | - | 49 | - | 47 | - | 45 | - | 43 | 42 | 41 | - | - | 38 | 37 | 36 | - | - | - | | | | | | | | | | | | |
| | | | | | | | | | | | | | | | | | | | | | | | | | | | - | - | - | - | - | - | - | - | - | - | 22 | 21 | 20 | - | - | 17 |
| | | | | | | | | | | | | | | | | | | | | | | | | | | | - | 15 | 14 | 13 | 12 | 11 | - | - | - | - | 6 | 5 | 4 | 3 | 2 | 1 |

| ASSEMBLY DESCRIPTION | ASSEMBLY PART NUMBER | CONNECTOR HOUSING | GROMMET CAP | TPA | RIGHT SLIDE | LEFT SLIDE | MATE ASSIST LEVER | CPA | MAT SEAL | RING SEAL | BLOCKED TERMINALS | | | | | | | | | | | | | | | | | | STATUS | COMMENTS | INTEGRAL COMPONENTS SOLD SEPARATELY | | |
|--|----------------------|-------------------|-------------|--------|-------------|------------|-------------------|-----|----------|-----------|--|----|----|----|----|----|----|----|----|----|----|----|----|----|----|----|----|----|--------|----------|-------------------------------------|----|----|
| | | | | | | | | | | | CAVITY WITH A NUMBER INDICATES BLOCKED TERMINAL POSITION | | | | | | | | | | | | | | | | | | | | DRESS COVER | | |
| | | | | | | | | | | | CAVITY WITHOUT A NUMBER INDICATES OPEN TERMINAL POSITION | | | | | | | | | | | | | | | | | | | | | | |
| MX123 CONN ASSY 73 CKT GRY OPT0 KEY B/35 | 345664163 | C-HSG-B0 | G-CAP-0-P | TPA-B0 | RS | LS | MAL | CPA | MSEAL | RSEAL | - | 71 | - | 69 | - | 67 | - | 65 | 64 | 63 | 62 | 61 | - | - | 58 | 57 | 56 | - | - | - | | | |
| | | | | | | | | | | | - | 51 | - | 49 | - | 47 | - | 45 | 44 | 43 | 42 | 41 | - | - | 38 | 37 | 36 | - | - | - | | | |
| | | | | | | | | | | | | | | | | | | | | | | | | | | | | | 23 | 22 | 21 | 20 | 19 |
| MX123 CONN ASSY 73 CKT BLK OPT0 KEY A/42 | 345664173 | C-HSG-A0 | G-CAP-0-P | TPA-A0 | RS | LS | MAL | CPA | MSEAL | RSEAL | - | - | - | - | 68 | 67 | 66 | 65 | - | - | 62 | 61 | - | - | - | 57 | - | - | - | | | | |
| | | | | | | | | | | | - | - | 50 | - | 48 | - | 46 | - | - | - | - | - | 40 | 39 | - | 37 | - | 35 | - | 33 | | | |
| | | | | | | | | | | | | | | | | | | | | | | | | | | | | | - | 31 | - | 29 | - |
| MX123 CONN ASSY 73 CKT BLU OPT0 KEY C/41 | 345664183 | C-HSG-C0 | G-CAP-0-P | TPA-C0 | RS | LS | MAL | CPA | MSEAL | RSEAL | - | 71 | - | 69 | - | 67 | - | 65 | 64 | - | - | 61 | 60 | - | - | - | 56 | 55 | 54 | - | | | |
| | | | | | | | | | | | - | - | 50 | 49 | - | - | - | 45 | - | 43 | - | 41 | - | - | 38 | 37 | 36 | 35 | - | - | | | |
| | | | | | | | | | | | | | | | | | | | | | | | | | | | | | - | 31 | - | 29 | 28 |
| MX123 CONN ASSY 73 CKT BLU OPT0 KEY C/38 | 345664193 | C-HSG-C0 | G-CAP-0-P | TPA-C0 | RS | LS | MAL | CPA | MSEAL | RSEAL | 72 | - | 70 | - | 68 | 67 | 66 | - | - | 63 | 62 | - | - | 59 | - | 57 | - | - | - | 53 | | | |
| | | | | | | | | | | | 52 | 51 | - | - | 48 | 47 | 46 | - | 44 | - | 42 | - | 40 | 39 | - | - | - | - | 34 | 33 | | | |
| | | | | | | | | | | | | | | | | | | | | | | | | | | | | | 32 | - | 30 | - | - |
| MX123 CONN ASSY 73 CKT GRY OPT0 KEY B/48 | 345664203 | C-HSG-B0 | G-CAP-0-P | TPA-B0 | RS | LS | MAL | CPA | MSEAL | RSEAL | 72 | 71 | 70 | 69 | 68 | 67 | 66 | 65 | - | 63 | 62 | 61 | 60 | - | 58 | - | 56 | - | 54 | - | | | |
| | | | | | | | | | | | 52 | 51 | - | - | - | 47 | - | 45 | 44 | 43 | 42 | 41 | 40 | - | 38 | - | 36 | - | 34 | - | | | |
| | | | | | | | | | | | | | | | | | | | | | | | | | | | | | - | 31 | 30 | - | 28 |
| MX123 CONN ASSY 73 CKT BLK OPT0 KEY A/36 | 345664213 | C-HSG-A0 | G-CAP-0-P | TPA-A0 | RS | LS | MAL | CPA | MSEAL | RSEAL | - | - | 70 | 69 | - | - | - | - | - | 63 | 62 | 61 | - | - | - | 57 | 56 | 55 | 54 | 53 | | | |
| | | | | | | | | | | | 52 | 51 | - | 49 | - | - | - | - | 44 | 43 | 42 | 41 | - | - | - | 37 | 36 | - | 34 | 33 | | | |
| | | | | | | | | | | | | | | | | | | | | | | | | | | | | | 32 | - | - | 29 | 28 |
| MX123 CONN ASSY 73 CKT BLK OPT0 KEY A/38 | 345664223 | C-HSG-A0 | G-CAP-0-P | TPA-A0 | RS | LS | MAL | CPA | MSEAL | RSEAL | - | - | 70 | 69 | - | - | - | - | - | 63 | 62 | 61 | - | - | 58 | 57 | 56 | 55 | 54 | 53 | | | |
| | | | | | | | | | | | 52 | 51 | - | 49 | - | - | - | - | 44 | 43 | 42 | 41 | - | - | - | 37 | 36 | - | 34 | - | | | |
| | | | | | | | | | | | | | | | | | | | | | | | | | | | | | 32 | - | - | 29 | 28 |
| MX123 CONN ASSY 73 CKT GRY OPT0 KEY B/23 | 345664233 | C-HSG-B0 | G-CAP-0-P | TPA-B0 | RS | LS | MAL | CPA | MSEAL | RSEAL | 72 | 71 | 70 | - | 68 | 67 | 66 | - | - | - | 62 | 61 | 60 | 59 | 58 | 57 | 56 | 55 | 54 | 53 | | | |
| | | | | | | | | | | | 52 | 51 | 50 | - | 48 | 47 | 46 | - | - | - | 42 | 41 | 40 | 39 | 38 | 37 | 36 | 35 | 34 | 33 | | | |
| | | | | | | | | | | | | | | | | | | | | | | | | | | | | | 32 | 31 | 30 | 29 | 28 |
| MX123 CONN ASSY 73 CKT BLK OPT0 KEY A/21 | 345664243 | C-HSG-A0 | G-CAP-0-P | TPA-A0 | RS | LS | MAL | CPA | MSEAL | RSEAL | 72 | 71 | 70 | 69 | 68 | 67 | 66 | 65 | 64 | 63 | 62 | - | 60 | 59 | - | - | - | 55 | 54 | 53 | | | |
| | | | | | | | | | | | 52 | - | - | 49 | 48 | - | - | 45 | 44 | 43 | 42 | 41 | 40 | 39 | - | - | - | 35 | 34 | 33 | | | |
| | | | | | | | | | | | | | | | | | | | | | | | | | | | | | 32 | - | - | 29 | 28 |
| MX123 CONN ASSY 73 CKT BLK OPT0 KEY A/23 | 345664253 | C-HSG-A0 | G-CAP-0-P | TPA-A0 | RS | LS | MAL | CPA | MSEAL | RSEAL | 72 | 71 | 70 | 69 | 68 | 67 | 66 | - | 64 | 63 | 62 | - | 60 | 59 | - | - | - | 55 | 54 | 53 | | | |
| | | | | | | | | | | | 52 | - | - | 49 | 48 | - | - | - | 44 | 43 | 42 | 41 | 40 | 39 | - | - | - | 35 | 34 | 33 | | | |
| | | | | | | | | | | | | | | | | | | | | | | | | | | | | | 32 | - | - | 29 | 28 |
| MX123 CONN ASSY 73 CKT GRY OPT0 KEY B/36 | 345664263 | C-HSG-B0 | G-CAP-0-P | TPA-B0 | RS | LS | MAL | CPA | MSEAL | RSEAL | - | - | - | - | - | 67 | 66 | - | - | 63 | - | - | - | 59 | 58 | 57 | 56 | 55 | - | 53 | | | |
| | | | | | | | | | | | - | - | 50 | 49 | 48 | - | - | 45 | - | 43 | - | - | - | 39 | 38 | 37 | 36 | 35 | 34 | 33 | | | |
| | | | | | | | | | | | | | | | | | | | | | | | | | | | | | - | - | - | 29 | - |
| MX123 CONN ASSY 73 CKT GRY OPT0 KEY B/40 | 345664273 | C-HSG-B0 | G-CAP-0-P | TPA-B0 | RS | LS | MAL | CPA | MSEAL | RSEAL | - | - | - | - | - | - | - | - | - | 63 | - | - | - | 59 | 58 | 57 | 56 | 55 | - | 53 | | | |
| | | | | | | | | | | | - | - | 50 | 49 | 48 | - | 46 | - | - | 43 | - | - | - | 39 | 38 | 37 | 36 | 35 | 34 | 33 | | | |
| | | | | | | | | | | | | | | | | | | | | | | | | | | | | | - | - | - | 29 | - |

| ASSEMBLY DESCRIPTION | ASSEMBLY PART NUMBER | CONNECTOR HOUSING | GROMMET CAP | TPA | RIGHT SLIDE | LEFT SLIDE | MATE ASSIST LEVER | CPA | MAT SEAL | RING SEAL | BLOCKED TERMINALS | | | | | | | | | | | | | | | | | | STATUS | COMMENTS | INTEGRAL COMPONENTS SOLD SEPARATELY | | | |
|--|----------------------|-------------------|-------------|--------|-------------|------------|-------------------|-----|----------|-----------|--|----|----|----|----|----|----|----|----|----|----|----|----|----|----|----|----|----|--------|----------|-------------------------------------|----|----|----|
| | | | | | | | | | | | CAVITY WITH A NUMBER INDICATES BLOCKED TERMINAL POSITION | | | | | | | | | | | | | | | | | | | | DRESS COVER | | | |
| | | | | | | | | | | | CAVITY WITHOUT A NUMBER INDICATES OPEN TERMINAL POSITION | | | | | | | | | | | | | | | | | | | | | | | |
| MX123 CONN ASSY 73 CKT BLK OPT0 KEY A/38 | 345664283 | C-HSG-A0 | G-CAP-0-P | TPA-A0 | RS | LS | MAL | CPA | MSEAL | RSEAL | 72 | 71 | - | - | 68 | 67 | 66 | 65 | 64 | - | - | - | - | 59 | 58 | - | - | - | - | - | - | - | | |
| | | | | | | | | | | | - | - | 50 | - | 48 | 47 | 46 | 45 | - | - | - | - | 40 | 39 | 38 | - | - | 35 | - | 33 | | | | |
| | | | | | | | | | | | | | | | | | | | | | | | | | | | | | - | 31 | 30 | - | - | - |
| | | | | | | | | | | | | | | | | | | - | - | 14 | - | - | - | - | 9 | - | 7 | 6 | 5 | 4 | - | 2 | 1 | |
| MX123 CONN ASSY 73 CKT GRY OPT0 KEY B/38 | 345664293 | C-HSG-B0 | G-CAP-0-P | TPA-B0 | RS | LS | MAL | CPA | MSEAL | RSEAL | 72 | 71 | 70 | 69 | 68 | - | - | 65 | 64 | - | 62 | 61 | 60 | - | - | - | - | - | 54 | - | | | | |
| | | | | | | | | | | | 52 | 51 | - | - | - | 47 | 46 | - | 44 | - | 42 | 41 | 40 | - | - | - | - | - | - | - | | | | |
| | | | | | | | | | | | | | | | | | | | | | | | | | | | | | 32 | 31 | 30 | - | 28 | - |
| | | | | | | | | | | | | | | | | | | - | - | - | - | 12 | 11 | 10 | 9 | - | - | - | - | - | - | 2 | 1 | |
| MX123 CONN ASSY 73 CKT BLK OPT0 KEY A/33 | 345664303 | C-HSG-A0 | G-CAP-0-P | TPA-A0 | RS | LS | MAL | CPA | MSEAL | RSEAL | 72 | 71 | - | - | - | - | 66 | - | - | - | 62 | - | 60 | - | - | - | - | 55 | 54 | 53 | | | | |
| | | | | | | | | | | | 52 | 51 | - | - | - | - | 46 | 45 | 44 | 43 | 42 | - | 40 | 39 | - | - | - | - | 35 | - | - | | | |
| | | | | | | | | | | | | | | | | | | | | | | | | | | | | | - | - | - | - | - | - |
| | | | | | | | | | | | | | | | | | | - | 15 | 14 | - | - | - | - | - | - | 8 | 7 | 6 | 5 | 4 | 3 | 2 | - |
| MX123 CONN ASSY 73 CKT GRY OPT0 KEY B/35 | 345664313 | C-HSG-B0 | G-CAP-0-P | TPA-B0 | RS | LS | MAL | CPA | MSEAL | RSEAL | 72 | 71 | 70 | 69 | 68 | 67 | 66 | 65 | 64 | - | 62 | 61 | 60 | - | - | - | - | - | 54 | - | | | | |
| | | | | | | | | | | | 52 | 51 | - | - | - | 47 | - | 45 | 44 | - | 42 | 41 | 40 | - | - | - | - | - | - | - | | | | |
| | | | | | | | | | | | | | | | | | | | | | | | | | | | | | 32 | 31 | 30 | - | 28 | - |
| | | | | | | | | | | | | | | | | | | - | - | - | - | 12 | 11 | 10 | 9 | 8 | - | - | - | - | - | 2 | 1 | |
| MX123 CONN ASSY 73 CKT GRY OPT0 KEY B/37 | 345664323 | C-HSG-B0 | G-CAP-0-P | TPA-B0 | RS | LS | MAL | CPA | MSEAL | RSEAL | - | 71 | - | 69 | - | 67 | - | 65 | 64 | 63 | 62 | 61 | - | - | 58 | 57 | 56 | - | - | - | | | | |
| | | | | | | | | | | | - | 51 | - | 49 | - | 47 | - | 45 | 44 | 43 | 42 | 41 | - | - | 38 | 37 | 36 | - | - | - | | | | |
| | | | | | | | | | | | | | | | | | | | | | | | | | | | | | - | - | - | - | - | - |
| | | | | | | | | | | | | | | | | | | - | 15 | 14 | 13 | 12 | 11 | - | 9 | - | - | 6 | 5 | 4 | 3 | - | - | |
| MX123 CONN ASSY 73 CKT BLK OPT0 KEY A/40 | 345664333 | C-HSG-A0 | G-CAP-0-P | TPA-A0 | RS | LS | MAL | CPA | MSEAL | RSEAL | - | - | - | - | 68 | - | 66 | 65 | - | - | 62 | 61 | - | - | 58 | 57 | - | - | - | | | | | |
| | | | | | | | | | | | - | - | 50 | - | 48 | - | 46 | - | - | - | - | - | 40 | 39 | - | 37 | - | 35 | - | 33 | | | | |
| | | | | | | | | | | | | | | | | | | | | | | | | | | | | | - | 31 | - | 29 | - | 27 |
| | | | | | | | | | | | | | | | | | | - | - | 14 | 13 | - | 11 | - | - | 8 | 7 | 6 | 5 | 4 | - | 2 | 1 | |
| MX123 CONN ASSY 73 CKT BLK OPT0 KEY A/39 | 345664343 | C-HSG-A0 | G-CAP-0-P | TPA-A0 | RS | LS | MAL | CPA | MSEAL | RSEAL | - | - | - | - | 68 | 67 | 66 | 65 | - | - | 62 | 61 | - | - | - | 57 | - | - | - | | | | | |
| | | | | | | | | | | | - | - | 50 | - | 48 | - | 46 | - | - | - | - | - | 40 | 39 | - | 37 | - | 35 | - | 33 | | | | |
| | | | | | | | | | | | | | | | | | | | | | | | | | | | | | - | 31 | - | 29 | - | 27 |
| | | | | | | | | | | | | | | | | | | - | - | 14 | 13 | - | 11 | - | - | 8 | 7 | 6 | 5 | 4 | - | 2 | 1 | |
| MX123 CONN ASSY 73 CKT BLU OPT0 KEY C/37 | 345664353 | C-HSG-C0 | G-CAP-0-P | TPA-C0 | RS | LS | MAL | CPA | MSEAL | RSEAL | - | 71 | - | 69 | - | 67 | 66 | 65 | 64 | - | - | 61 | 60 | - | - | - | 56 | 55 | 54 | - | | | | |
| | | | | | | | | | | | - | - | 50 | 49 | - | - | 46 | 45 | - | 43 | - | 41 | - | - | 38 | 37 | 36 | 35 | - | - | | | | |
| | | | | | | | | | | | | | | | | | | | | | | | | | | | | | - | 31 | - | 29 | 28 | 27 |
| | | | | | | | | | | | | | | | | | | 16 | - | - | - | 12 | 11 | 10 | 9 | 8 | - | - | - | - | 3 | 2 | - | |
| MX123 CONN ASSY 73 CKT BLK OPT0 KEY A/39 | 345664363 | C-HSG-A0 | G-CAP-0-P | TPA-A0 | RS | LS | MAL | CPA | MSEAL | RSEAL | 72 | 71 | - | - | 68 | 67 | 66 | 65 | 64 | - | - | - | - | 59 | - | - | - | - | - | | | | | |
| | | | | | | | | | | | - | - | 50 | - | 48 | 47 | 46 | 45 | - | - | - | - | 40 | 39 | 38 | - | - | 35 | - | 33 | | | | |
| | | | | | | | | | | | | | | | | | | | | | | | | | | | | | - | 31 | 30 | - | - | - |
| | | | | | | | | | | | | | | | | | | - | - | 14 | - | - | - | - | 9 | - | 7 | 6 | 5 | 4 | - | 2 | 1 | |
| MX123 CONN ASSY 73 CKT BLK OPT0 KEY A/30 | 345664373 | C-HSG-A0 | G-CAP-0-P | TPA-A0 | RS | LS | MAL | CPA | MSEAL | RSEAL | 72 | 71 | - | - | 68 | 67 | 66 | 65 | 64 | - | 62 | 61 | 60 | 59 | - | 57 | - | 55 | - | 53 | | | | |
| | | | | | | | | | | | - | - | 50 | - | 48 | - | 46 | 45 | - | - | - | - | - | 39 | 38 | 37 | - | 35 | - | 33 | | | | |
| | | | | | | | | | | | | | | | | | | | | | | | | | | | | | - | 31 | 30 | 29 | - | 27 |
| | | | | | | | | | | | | | | | | | | - | 15 | 14 | 13 | - | 11 | - | 9 | 8 | 7 | 6 | 5 | 4 | - | - | - | |
| MX123 CONN ASSY 73 CKT BLK OPT0 KEY A/29 | 345664403 | C-HSG-A0 | G-CAP-0-P | TPA-A0 | RS | LS | MAL | CPA | MSEAL | RSEAL | - | - | - | - | - | - | - | - | - | - | 62 | - | 60 | - | - | - | - | 55 | 54 | 53 | | | | |
| | | | | | | | | | | | 52 | 51 | - | - | - | - | 46 | 45 | 44 | 43 | 42 | - | 40 | 39 | - | - | - | - | 35 | - | - | | | |
| | | | | | | | | | | | | | | | | | | | | | | | | | | | | | - | - | - | - | - | - |
| | | | | | | | | | | | | | | | | | | - | 15 | 14 | - | - | - | - | - | 8 | 7 | - | 5 | - | 3 | 2 | 1 | |
| MX123 CONN ASSY 73 CKT GRY OPT0 KEY B/34 | 345664413 | C-HSG-B0 | G-CAP-0-P | TPA-B0 | RS | LS | MAL | CPA | MSEAL | RSEAL | 72 | 71 | 70 | 69 | 68 | 67 | 66 | 65 | 64 | - | 62 | 61 | 60 | - | - | - | - | - | 54 | - | | | | |
| | | | | | | | | | | | 52 | 51 | - | - | - | 47 | - | 45 | 44 | - | 42 | 41 | 40 | - | - | - | - | - | - | - | | | | |
| | | | | | | | | | | | | | | | | | | | | | | | | | | | | | 32 | 31 | 30 | - | 28 | - |
| | | | | | | | | | | | | | | | | | | - | - | - | 13 | 12 | 11 | 10 | 9 | 8 | - | - | - | - | - | 2 | 1 | |

| ASSEMBLY DESCRIPTION | ASSEMBLY PART NUMBER | CONNECTOR HOUSING | GROMMET CAP | TPA | RIGHT SLIDE | LEFT SLIDE | MATE ASSIST LEVER | CPA | MAT SEAL | RING SEAL | BLOCKED TERMINALS | | | | | | | | | | | | | | | | | | STATUS | COMMENTS | INTEGRAL COMPONENTS SOLD SEPARATELY | | | | |
|--|----------------------|-------------------|-------------|--------|-------------|------------|-------------------|-----|----------|-----------|--|----|----|----|----|----|----|----|----|----|----|----|----|----|----|----|----|----|--------|----------|-------------------------------------|----|----|----|----|
| | | | | | | | | | | | CAVITY WITH A NUMBER INDICATES BLOCKED TERMINAL POSITION | | | | | | | | | | | | | | | | | | | | DRESS COVER | | | | |
| | | | | | | | | | | | CAVITY WITHOUT A NUMBER INDICATES OPEN TERMINAL POSITION | | | | | | | | | | | | | | | | | | | | | | | | |
| MX123 CONN ASSY 73 CKT BLU OPT9 KEY C/42 | 345664423 | C-HSG-C9 | G-CAP-9-P | TPA-C9 | RS | LS | MAL | CPA | MSEAL | RSEAL | - | 71 | - | 69 | - | - | - | 65 | 64 | - | - | 61 | 60 | - | 58 | - | 56 | 55 | 54 | - | | | | | |
| | | | | | | | | | | | - | - | 50 | 49 | - | - | - | 45 | - | 43 | - | 41 | - | - | - | - | - | 35 | - | - | | | | | |
| | | | | | | | | | | | - | | | | | | | | | | | | | | | | | | 16 | - | - | 13 | 12 | 11 | - |
| MX123 CONN ASSY 73 CKT BLK OPT9 KEY A/40 | 345664433 | C-HSG-A9 | G-CAP-9-P | TPA-A9 | RS | LS | MAL | CPA | MSEAL | RSEAL | 72 | 71 | - | - | 68 | 67 | 66 | 65 | 64 | - | - | - | - | 59 | - | - | - | - | - | | | | | | |
| | | | | | | | | | | | - | - | - | - | 48 | 47 | 46 | 45 | - | - | - | - | - | 39 | 38 | - | - | 35 | - | 33 | | | | | |
| | | | | | | | | | | | - | | | | | | | | | | | | | | | | | | - | - | - | 31 | 30 | - | - |
| MX123 CONN ASSY 73 CKT BLK OPT9 KEY A/32 | 345664443 | C-HSG-A9 | G-CAP-9-P | TPA-A9 | RS | LS | MAL | CPA | MSEAL | RSEAL | 72 | 71 | 70 | 69 | 68 | - | - | 65 | 64 | 63 | 62 | 61 | 60 | 59 | 58 | 57 | 56 | 55 | 54 | 53 | | | | | |
| | | | | | | | | | | | 52 | 51 | 50 | 49 | - | - | 46 | 45 | 44 | 43 | 42 | - | 40 | 39 | 38 | 37 | 36 | 35 | 34 | 33 | | | | | |
| | | | | | | | | | | | - | | | | | | | | | | | | | | | | | | - | - | - | - | 28 | - | - |
| MX123 CONN ASSY 73 CKT BLK OPT0 KEY A/45 | 345664453 | C-HSG-A0 | G-CAP-0-P | TPA-A0 | RS | LS | MAL | CPA | MSEAL | RSEAL | - | - | - | - | - | 67 | 66 | - | - | - | - | - | - | - | - | - | - | - | - | | | | | | |
| | | | | | | | | | | | - | - | - | - | - | 47 | - | - | - | - | 41 | - | - | - | - | - | - | - | - | - | | | | | |
| | | | | | | | | | | | - | | | | | | | | | | | | | | | | | | 32 | 31 | 30 | 29 | - | 27 | 26 |
| MX123 CONN ASSY 73 CKT GRY OPT9 KEY B/18 | 345664463 | C-HSG-B9 | G-CAP-9-P | TPA-B9 | RS | LS | MAL | CPA | MSEAL | RSEAL | 72 | 71 | 70 | 69 | 68 | 67 | 66 | 65 | 64 | - | 62 | 61 | 60 | 59 | 58 | 57 | 56 | 55 | 54 | - | | | | | |
| | | | | | | | | | | | 52 | 51 | 50 | 49 | - | - | 46 | - | 44 | - | - | 41 | 40 | - | 38 | 37 | 36 | - | - | - | | | | | |
| | | | | | | | | | | | - | | | | | | | | | | | | | | | | | | 32 | 31 | 30 | 29 | 28 | 27 | - |
| MX123 CONN ASSY 73 CKT GRY OPT0 KEY B/21 | 345664473 | C-HSG-B0 | G-CAP-0-P | TPA-B0 | RS | LS | MAL | CPA | MSEAL | RSEAL | 72 | 71 | 70 | 69 | 68 | 67 | 66 | 65 | - | - | - | 61 | 60 | - | - | 57 | 56 | 55 | 54 | - | | | | | |
| | | | | | | | | | | | 52 | 51 | 50 | 49 | 48 | - | 46 | - | 44 | - | - | 41 | 40 | - | 38 | 37 | 36 | - | - | - | | | | | |
| | | | | | | | | | | | - | | | | | | | | | | | | | | | | | | 32 | 31 | 30 | 29 | 28 | 27 | - |
| MX123 CONN ASSY 73 CKT BLU OPT9 KEY C/54 | 345664483 | C-HSG-C9 | G-CAP-9-P | TPA-C9 | RS | LS | MAL | CPA | MSEAL | RSEAL | - | 71 | - | 69 | - | - | - | 65 | 64 | - | - | 61 | 60 | - | - | - | - | - | 54 | - | | | | | |
| | | | | | | | | | | | - | - | 50 | - | - | - | - | 45 | - | 43 | 42 | 41 | - | - | - | - | - | - | 35 | - | - | | | | |
| | | | | | | | | | | | - | | | | | | | | | | | | | | | | | | 16 | - | - | - | 12 | 11 | - |
| MX123 CONN ASSY 73 CKT BLK OPT9 KEY A/58 | 345664493 | C-HSG-A9 | G-CAP-9-P | TPA-A9 | RS | LS | MAL | CPA | MSEAL | RSEAL | - | - | - | - | 68 | - | 66 | 65 | - | - | - | - | - | - | - | - | - | - | - | | | | | | |
| | | | | | | | | | | | - | - | - | - | - | - | 46 | - | - | - | - | - | - | 38 | - | - | 35 | - | 33 | | | | | | |
| | | | | | | | | | | | - | | | | | | | | | | | | | | | | | | - | - | - | - | - | - | - |
| MX123 CONN ASSY 73 CKT GRY OPT9 KEY B/56 | 345664513 | C-HSG-B9 | G-CAP-9-P | TPA-B9 | RS | LS | MAL | CPA | MSEAL | RSEAL | - | - | - | 69 | - | - | - | 65 | 64 | 63 | - | - | - | - | - | - | - | - | - | | | | | | |
| | | | | | | | | | | | - | - | - | 49 | - | - | - | 45 | 44 | 43 | - | - | - | - | - | - | - | - | - | - | | | | | |
| | | | | | | | | | | | - | | | | | | | | | | | | | | | | | | - | - | - | - | - | - | - |
| MX123 CONN ASSY 73 CKT BLK OPT0 KEY A/38 | 345664533 | C-HSG-A0 | G-CAP-0-P | TPA-A0 | RS | LS | MAL | CPA | MSEAL | RSEAL | - | 71 | 70 | - | 68 | - | 66 | - | 64 | - | 62 | 61 | - | 59 | 58 | - | - | 55 | 54 | - | | | | | |
| | | | | | | | | | | | 52 | 51 | 50 | - | 48 | - | 46 | 45 | - | - | 42 | 41 | - | 39 | 38 | - | - | - | 34 | - | | | | | |
| | | | | | | | | | | | - | | | | | | | | | | | | | | | | | | 32 | - | - | - | - | 27 | 26 |
| MX123 CONN ASSY 73 CKT GRY OPT0 KEY B/27 | 345664543 | C-HSG-B0 | G-CAP-0-P | TPA-B0 | RS | LS | MAL | CPA | MSEAL | RSEAL | 72 | 71 | 70 | 69 | - | - | 66 | 65 | - | - | 62 | 61 | 60 | 59 | - | - | 56 | - | 54 | - | | | | | |
| | | | | | | | | | | | 52 | 51 | 50 | 49 | 48 | 47 | - | - | 44 | - | 42 | 41 | 40 | 39 | - | - | 36 | - | 34 | 33 | | | | | |
| | | | | | | | | | | | - | | | | | | | | | | | | | | | | | | - | 31 | - | - | - | - | 26 |
| MX123 CONN ASSY 73 CKT GRY OPT0 KEY B/23 | 345664553 | C-HSG-B0 | G-CAP-0-P | TPA-B0 | RS | LS | MAL | CPA | MSEAL | RSEAL | 72 | 71 | 70 | 69 | - | - | 66 | 65 | - | - | 62 | 61 | 60 | 59 | - | - | 56 | 55 | 54 | - | | | | | |
| | | | | | | | | | | | 52 | 51 | 50 | 49 | 48 | 47 | - | - | 44 | - | 42 | 41 | 40 | 39 | - | - | 36 | 35 | 34 | 33 | | | | | |
| | | | | | | | | | | | - | | | | | | | | | | | | | | | | | | - | 31 | - | - | - | - | 26 |

| ASSEMBLY DESCRIPTION | ASSEMBLY PART NUMBER | CONNECTOR HOUSING | GROMMET CAP | TPA | RIGHT SLIDE | LEFT SLIDE | MATE ASSIST LEVER | CPA | MAT SEAL | RING SEAL | BLOCKED TERMINALS | | | | | | | | | | | | | | | | | | STATUS | COMMENTS | INTEGRAL COMPONENTS SOLD SEPARATELY |
|--|----------------------|-------------------|-------------|--------|-------------|------------|-------------------|-----|----------|-----------|--|----|----|----|----|----|----|----|----|----|----|----|----|----|----|----|----|----|--------|----------|-------------------------------------|
| | | | | | | | | | | | CAVITY WITH A NUMBER INDICATES BLOCKED TERMINAL POSITION | | | | | | | | | | | | | | | | | | | | DRESS COVER |
| | | | | | | | | | | | CAVITY WITHOUT A NUMBER INDICATES OPEN TERMINAL POSITION | | | | | | | | | | | | | | | | | | | | |
| MX123 CONN ASSY 73 CKT GRY OPT0 KEY B/24 | 345664563 | C-HSG-B0 | G-CAP-0-P | TPA-B0 | RS | LS | MAL | CPA | MSEAL | RSEAL | 72 | 71 | 70 | 69 | - | - | 66 | 65 | - | - | 62 | 61 | 60 | 59 | - | 57 | 56 | - | 54 | - | |
| | | | | | | | | | | | 52 | 51 | 50 | 49 | 48 | 47 | - | - | 44 | - | 42 | 41 | 40 | 39 | - | 37 | 36 | - | 34 | 33 | |
| | | | | | | | | | | | - | | | | | | | | | | | | | | | | | | | | |
| MX123 CONN ASSY 73 CKT GRY OPT0 KEY B/20 | 345664573 | C-HSG-B0 | G-CAP-0-P | TPA-B0 | RS | LS | MAL | CPA | MSEAL | RSEAL | 72 | 71 | 70 | 69 | - | - | 66 | 65 | - | - | 62 | 61 | 60 | 59 | - | 57 | 56 | 55 | 54 | - | |
| | | | | | | | | | | | 52 | 51 | 50 | 49 | 48 | 47 | - | - | 44 | - | 42 | 41 | 40 | 39 | - | 37 | 36 | 35 | 34 | 33 | |
| | | | | | | | | | | | - | | | | | | | | | | | | | | | | | | | | |
| MX123 CONN ASSY 73 CKT GRY OPT0 KEY B/19 | 345664583 | C-HSG-B0 | G-CAP-0-P | TPA-B0 | RS | LS | MAL | CPA | MSEAL | RSEAL | 72 | 71 | 70 | 69 | - | - | 66 | 65 | - | 63 | 62 | 61 | 60 | 59 | - | 57 | 56 | 55 | 54 | - | |
| | | | | | | | | | | | 52 | 51 | 50 | 49 | 48 | 47 | - | - | 44 | 43 | 42 | 41 | 40 | 39 | - | 37 | 36 | 35 | 34 | 33 | |
| | | | | | | | | | | | - | | | | | | | | | | | | | | | | | | | | |
| MX123 CONN ASSY 73 CKT GRY OPT0 KEY B/18 | 345664593 | C-HSG-B0 | G-CAP-0-P | TPA-B0 | RS | LS | MAL | CPA | MSEAL | RSEAL | 72 | 71 | 70 | 69 | - | - | 66 | 65 | - | 63 | 62 | 61 | 60 | 59 | - | 57 | 56 | 55 | 54 | - | |
| | | | | | | | | | | | 52 | 51 | 50 | 49 | 48 | 47 | - | - | 44 | 43 | 42 | 41 | 40 | 39 | - | 37 | 36 | 35 | 34 | 33 | |
| | | | | | | | | | | | - | | | | | | | | | | | | | | | | | | | | |
| MX123 CONN ASSY 73 CKT BLK OPT0 KEY A/42 | 345664613 | C-HSG-A0 | G-CAP-0-P | TPA-A0 | RS | LS | MAL | CPA | MSEAL | RSEAL | - | 71 | 70 | - | 68 | - | - | - | 64 | - | 62 | 61 | - | 59 | 58 | - | - | 55 | 54 | - | |
| | | | | | | | | | | | 52 | 51 | 50 | - | 48 | - | 46 | 45 | - | - | - | 41 | - | 39 | 38 | - | - | - | 34 | - | |
| | | | | | | | | | | | - | | | | | | | | | | | | | | | | | | | | |
| MX123 CONN ASSY 73 CKT GRY OPT0 KEY B/36 | 345664623 | C-HSG-B0 | G-CAP-0-P | TPA-B0 | RS | LS | MAL | CPA | MSEAL | RSEAL | - | 71 | - | 69 | - | 67 | - | 65 | 64 | 63 | 62 | 61 | - | - | 58 | 57 | 56 | - | - | - | |
| | | | | | | | | | | | - | 51 | - | 49 | - | 47 | - | 45 | 44 | 43 | 42 | 41 | - | - | 38 | 37 | 36 | - | - | - | |
| | | | | | | | | | | | - | | | | | | | | | | | | | | | | | | | | |
| MX123 CONN ASSY 73 CKT BLK OPT0 KEY A/39 | 345664633 | C-HSG-A0 | G-CAP-0-P | TPA-A0 | RS | LS | MAL | CPA | MSEAL | RSEAL | 72 | - | - | - | 68 | 67 | 66 | 65 | - | - | 62 | 61 | - | - | - | 57 | - | - | - | - | |
| | | | | | | | | | | | - | - | 50 | - | 48 | - | 46 | - | - | - | - | - | 40 | 39 | - | 37 | - | 35 | - | 33 | |
| | | | | | | | | | | | - | | | | | | | | | | | | | | | | | | | | |
| MX123 CONN ASSY 73 CKT GRY OPT0 KEY B/38 | 345664643 | C-HSG-B0 | G-CAP-0-P | TPA-B0 | RS | LS | MAL | CPA | MSEAL | RSEAL | - | 71 | - | 69 | - | 67 | - | 65 | 64 | 63 | 62 | 61 | - | - | 58 | 57 | 56 | - | - | - | |
| | | | | | | | | | | | - | 51 | - | 49 | - | 47 | - | 45 | 44 | 43 | 42 | 41 | - | - | 38 | 37 | 36 | - | - | - | |
| | | | | | | | | | | | - | | | | | | | | | | | | | | | | | | | | |
| MX123 CONN ASSY 73 CKT BLK OPT0 KEY A/37 | 345664653 | C-HSG-A0 | G-CAP-0-P | TPA-A0 | RS | LS | MAL | CPA | MSEAL | RSEAL | 72 | - | - | - | 68 | - | 66 | 65 | - | - | 62 | 61 | - | - | 58 | 57 | - | - | - | - | |
| | | | | | | | | | | | - | - | 50 | - | 48 | - | 46 | - | - | - | - | - | 40 | 39 | - | 37 | - | 35 | - | 33 | |
| | | | | | | | | | | | - | | | | | | | | | | | | | | | | | | | | |
| MX123 CONN ASSY 73 CKT BLK OPT0 KEY A/36 | 345664663 | C-HSG-A0 | G-CAP-0-P | TPA-A0 | RS | LS | MAL | CPA | MSEAL | RSEAL | 72 | - | - | - | 68 | 67 | 66 | 65 | - | - | 62 | 61 | - | - | - | 57 | - | - | - | - | |
| | | | | | | | | | | | - | - | 50 | - | 48 | - | 46 | - | - | - | - | - | 40 | 39 | - | 37 | - | 35 | - | 33 | |
| | | | | | | | | | | | - | | | | | | | | | | | | | | | | | | | | |
| MX123 CONN ASSY 73 CKT BLK OPT0 KEY A/29 | 345664673 | C-HSG-A0 | G-CAP-0-P | TPA-A0 | RS | LS | MAL | CPA | MSEAL | RSEAL | 72 | 71 | 70 | 69 | 68 | - | - | 65 | 64 | 63 | 62 | 61 | 60 | 59 | 58 | 57 | 56 | 55 | 54 | 53 | |
| | | | | | | | | | | | 52 | 51 | 50 | 49 | 48 | - | 46 | 45 | 44 | 43 | 42 | - | 40 | 39 | 38 | 37 | 36 | 35 | 34 | 33 | |
| | | | | | | | | | | | - | | | | | | | | | | | | | | | | | | | | |
| MX123 CONN ASSY 73 CKT GRY OPT9 KEY B/56 | 345664683 | C-HSG-B9 | G-CAP-9-P | TPA-B9 | RS | LS | MAL | CPA | MSEAL | RSEAL | - | - | - | - | - | - | - | - | - | 63 | - | - | - | - | - | - | - | - | 53 | | |
| | | | | | | | | | | | - | - | - | - | 48 | 47 | - | 45 | - | 43 | 42 | - | - | 39 | - | - | - | 35 | 34 | 33 | |
| | | | | | | | | | | | - | | | | | | | | | | | | | | | | | | | | |

| ASSEMBLY DESCRIPTION | ASSEMBLY PART NUMBER | CONNECTOR HOUSING | GROMMET CAP | TPA | RIGHT SLIDE | LEFT SLIDE | MATE ASSIST LEVER | CPA | MAT SEAL | RING SEAL | BLOCKED TERMINALS | | | | | | | | | | | | | | | | | | | | STATUS | COMMENTS | INTEGRAL COMPONENTS SOLD SEPARATELY |
|--|----------------------|-------------------|-------------|--------|-------------|------------|-------------------|-----|----------|-----------|--|----|----|----|----|----|----|----|----|----|----|----|----|----|----|----|----|----|----|----|--------|----------|-------------------------------------|
| | | | | | | | | | | | CAVITY WITH A NUMBER INDICATES BLOCKED TERMINAL POSITION | | | | | | | | | | | | | | | | | | | | | | DRESS COVER |
| | | | | | | | | | | | CAVITY WITHOUT A NUMBER INDICATES OPEN TERMINAL POSITION | | | | | | | | | | | | | | | | | | | | | | |
| MX123 CONN ASSY 73 CKT GRY OPT9 KEY B/26 | 345664813 | C-HSG-B9 | G-CAP-9-P | TPA-B9 | RS | LS | MAL | CPA | MSEAL | RSEAL | 72 | 71 | 70 | 69 | - | - | 66 | 65 | - | 63 | 62 | 61 | 60 | - | - | 57 | 56 | 55 | - | 53 | | | |
| | | | | | | | | | | | 52 | 51 | 50 | 49 | 48 | 47 | - | - | 44 | 43 | 42 | 41 | 40 | - | - | 37 | 36 | 35 | 34 | 33 | | | |
| | | | | | | | | | | | | | | | - | 31 | - | - | - | 26 | 25 | 24 | - | - | 21 | 20 | 19 | 18 | - | | | | |
| | | | | | | | | | | | | | | | 16 | - | 14 | - | 12 | 11 | - | - | - | 7 | - | 5 | 4 | 3 | 2 | - | | | |
| MX123 CONN ASSY 73 CKT BLU OPT0 KEY C/46 | 345664823 | C-HSG-C0 | G-CAP-0-P | TPA-C0 | RS | LS | MAL | CPA | MSEAL | RSEAL | 72 | 71 | 70 | 69 | - | - | - | - | - | 63 | 62 | 61 | 60 | - | - | - | 56 | - | - | - | | | |
| | | | | | | | | | | | 52 | - | - | - | - | 47 | - | - | 44 | - | - | - | - | - | - | 36 | - | 34 | - | | | | |
| | | | | | | | | | | | | | | | - | - | - | 29 | 28 | 27 | - | 25 | - | - | 21 | - | 19 | 18 | 17 | | | | |
| | | | | | | | | | | | | | | | - | 15 | 14 | - | 12 | 11 | - | - | - | - | - | - | - | - | - | 1 | | | |
| MX123 CONN ASSY 73 CKT BLU OPT0 KEY C/41 | 345664833 | C-HSG-C0 | G-CAP-0-P | TPA-C0 | RS | LS | MAL | CPA | MSEAL | RSEAL | - | 71 | - | 69 | - | - | - | 65 | 64 | - | - | 61 | 60 | - | 58 | - | 56 | 55 | 54 | - | | | |
| | | | | | | | | | | | - | - | 50 | 49 | - | - | - | 45 | - | 43 | - | 41 | - | - | 38 | - | - | 35 | - | - | | | |
| | | | | | | | | | | | | | | | - | 31 | - | 29 | 28 | - | - | - | - | 23 | - | - | 20 | 19 | 18 | 17 | | | |
| | | | | | | | | | | | | | | | 16 | - | - | 13 | 12 | 11 | - | - | - | 7 | - | - | - | 3 | - | 1 | | | |
| MX123 CONN ASSY 73 CKT BLU OPT0 KEY C/42 | 345664843 | C-HSG-C0 | G-CAP-0-P | TPA-C0 | RS | LS | MAL | CPA | MSEAL | RSEAL | - | 71 | - | 69 | - | - | - | 65 | 64 | - | - | 61 | 60 | - | 58 | - | 56 | 55 | 54 | - | | | |
| | | | | | | | | | | | - | - | 50 | 49 | - | - | - | 45 | - | 43 | - | 41 | - | - | - | - | 35 | - | - | | | | |
| | | | | | | | | | | | | | | | - | 31 | - | 29 | 28 | - | - | - | - | 23 | - | - | 20 | 19 | 18 | 17 | | | |
| | | | | | | | | | | | | | | | 16 | - | - | 13 | 12 | 11 | - | - | - | 7 | - | - | - | 3 | - | 1 | | | |
| MX123 CONN ASSY 73 CKT BLU OPT0 KEY C/45 | 345664853 | C-HSG-C0 | G-CAP-0-P | TPA-C0 | RS | LS | MAL | CPA | MSEAL | RSEAL | - | 71 | - | 69 | - | 67 | - | 65 | 64 | - | - | 61 | 60 | - | 58 | - | - | 54 | - | | | | |
| | | | | | | | | | | | - | - | 50 | 49 | - | - | - | 45 | - | 43 | - | 41 | - | - | 38 | - | - | 35 | - | - | | | |
| | | | | | | | | | | | | | | | - | 31 | - | 29 | 28 | - | - | - | - | 23 | - | - | 20 | - | - | 17 | | | |
| | | | | | | | | | | | | | | | 16 | - | - | 13 | 12 | 11 | - | - | - | 7 | - | - | - | - | - | 1 | | | |
| MX123 CONN ASSY 73 CKT BLU OPT0 KEY C/41 | 345664863 | C-HSG-C0 | G-CAP-0-P | TPA-C0 | RS | LS | MAL | CPA | MSEAL | RSEAL | - | 71 | - | 69 | - | 67 | - | 65 | 64 | - | - | 61 | 60 | - | 58 | - | 56 | 55 | 54 | - | | | |
| | | | | | | | | | | | - | - | 50 | 49 | - | - | - | 45 | - | 43 | - | 41 | - | - | - | - | 35 | - | - | | | | |
| | | | | | | | | | | | | | | | - | 31 | - | 29 | 28 | - | - | - | - | 23 | - | - | 20 | 19 | 18 | 17 | | | |
| | | | | | | | | | | | | | | | 16 | - | - | 13 | 12 | 11 | - | - | - | 7 | - | - | - | 3 | - | 1 | | | |
| MX123 CONN ASSY 73 CKT BLU OPT0 KEY C/40 | 345664873 | C-HSG-C0 | G-CAP-0-P | TPA-C0 | RS | LS | MAL | CPA | MSEAL | RSEAL | - | 71 | - | 69 | - | 67 | - | 65 | 64 | - | - | 61 | 60 | - | 58 | - | 56 | 55 | 54 | - | | | |
| | | | | | | | | | | | - | - | 50 | 49 | - | - | - | 45 | - | 43 | - | 41 | - | - | 38 | - | - | 35 | - | - | | | |
| | | | | | | | | | | | | | | | - | 31 | - | 29 | 28 | - | - | - | - | 23 | - | - | 20 | 19 | 18 | 17 | | | |
| | | | | | | | | | | | | | | | 16 | - | - | 13 | 12 | 11 | - | - | - | 7 | - | - | - | 3 | - | 1 | | | |
| MX123 CONN ASSY 73 CKT BLK OPT9 KEY A/39 | 345664883 | C-HSG-A9 | G-CAP-9-P | TPA-A9 | RS | LS | MAL | CPA | MSEAL | RSEAL | - | 71 | 70 | - | 68 | - | 66 | - | 64 | - | 62 | 61 | - | 59 | 58 | - | - | 55 | 54 | - | | | |
| | | | | | | | | | | | 52 | 51 | 50 | - | 48 | - | - | 45 | - | - | 42 | 41 | - | 39 | 38 | - | - | - | 34 | - | | | |
| | | | | | | | | | | | | | | | 32 | - | - | - | - | 27 | 26 | 25 | - | 23 | 22 | - | - | 19 | 18 | - | | | |
| | | | | | | | | | | | | | | | - | - | - | - | 12 | - | - | 9 | 8 | 7 | 6 | - | - | - | - | - | | | |
| MX123 CONN ASSY 73 CKT GRY OPT9 KEY B/24 | 345664893 | C-HSG-B9 | G-CAP-9-P | TPA-B9 | RS | LS | MAL | CPA | MSEAL | RSEAL | 72 | 71 | 70 | 69 | - | - | 66 | 65 | - | - | 62 | 61 | 60 | 59 | - | - | 56 | - | 54 | 53 | | | |
| | | | | | | | | | | | 52 | 51 | 50 | 49 | 48 | 47 | - | - | 44 | - | 42 | 41 | 40 | 39 | - | 37 | 36 | - | 34 | 33 | | | |
| | | | | | | | | | | | | | | | - | 31 | - | - | - | 26 | 25 | 24 | 23 | - | 21 | 20 | - | 18 | - | | | | |
| | | | | | | | | | | | | | | | 16 | - | 14 | - | 12 | 11 | - | 9 | 8 | 7 | 6 | 5 | 4 | 3 | 2 | - | | | |
| MX123 CONN ASSY 73 CKT BLK OPT0 KEY A/21 | 345664903 | C-HSG-A0 | G-CAP-0-P | TPA-A0 | RS | LS | MAL | CPA | MSEAL | RSEAL | - | - | - | - | - | 67 | - | - | - | - | - | 60 | - | - | - | - | 54 | 53 | | | | | |
| | | | | | | | | | | | - | - | - | - | 48 | - | 46 | 45 | - | - | 42 | - | 40 | 39 | - | - | - | - | - | | | | |
| | | | | | | | | | | | | | | | - | - | - | - | - | 26 | 25 | - | - | 22 | 21 | - | - | - | - | | | | |
| | | | | | | | | | | | | | | | - | - | - | - | - | - | - | 8 | 7 | 6 | 5 | 4 | 3 | - | - | | | | |
| MX123 CONN ASSY 73 CKT GRY OPT9 KEY B/27 | 345664913 | C-HSG-B9 | G-CAP-9-P | TPA-B9 | RS | LS | MAL | CPA | MSEAL | RSEAL | 72 | 71 | 70 | 69 | - | - | 66 | 65 | - | - | 62 | 61 | 60 | 59 | - | - | 56 | - | 54 | - | | | |
| | | | | | | | | | | | 52 | 51 | 50 | 49 | 48 | 47 | - | - | 44 | - | 42 | 41 | 40 | 39 | - | - | 36 | - | 34 | 33 | | | |
| | | | | | | | | | | | | | | | - | 31 | - | - | - | 26 | 25 | 24 | 23 | - | - | 20 | - | 18 | - | | | | |
| | | | | | | | | | | | | | | | 16 | 15 | 14 | 13 | - | 11 | - | 9 | 8 | 7 | 6 | 5 | 4 | 3 | 2 | - | | | |
| MX123 CONN ASSY 73 CKT BLK OPT9 KEY A/38 | 345664923 | C-HSG-A9 | G-CAP-9-P | TPA-A9 | RS | LS | MAL | CPA | MSEAL | RSEAL | - | 71 | 70 | - | 68 | - | 66 | - | 64 | - | 62 | 61 | - | 59 | 58 | - | - | 55 | 54 | - | | | |
| | | | | | | | | | | | 52 | 51 | 50 | - | 48 | - | 46 | 45 | - | - | 42 | 41 | - | 39 | 38 | - | - | - | 34 | - | | | |
| | | | | | | | | | | | | | | | 32 | - | - | - | - | 27 | 26 | 25 | - | 23 | 22 | - | - | 19 | 18 | - | | | |
| | | | | | | | | | | | | | | | - | - | - | - | 12 | - | - | 9 | 8 | 7 | 6 | - | - | - | - | - | | | |

| ASSEMBLY DESCRIPTION | ASSEMBLY PART NUMBER | CONNECTOR HOUSING | GROMMET CAP | TPA | RIGHT SLIDE | LEFT SLIDE | MATE ASSIST LEVER | CPA | MAT SEAL | RING SEAL | BLOCKED TERMINALS | | | | | | | | | | | | | | | | | | | | STATUS | COMMENTS | INTEGRAL COMPONENTS SOLD SEPARATELY | | | | | |
|--|----------------------|-------------------|-------------|--------|-------------|------------|-------------------|-----|----------|-----------|--|----|----|----|----|----|----|----|----|----|----|----|----|----|----|----|----|----|----|----|--------|----------|-------------------------------------|----|----|----|----|----|
| | | | | | | | | | | | CAVITY WITH A NUMBER INDICATES BLOCKED TERMINAL POSITION | | | | | | | | | | | | | | | | | | | | | | DRESS COVER | | | | | |
| | | | | | | | | | | | CAVITY WITHOUT A NUMBER INDICATES OPEN TERMINAL POSITION | | | | | | | | | | | | | | | | | | | | | | | | | | | |
| MX123 CONN ASSY 73 CKT BLU OPT0 KEY C/41 | 345664933 | C-HSG-C0 | G-CAP-0-P | TPA-C0 | RS | LS | MAL | CPA | MSEAL | RSEAL | - | 71 | - | 69 | - | - | - | 65 | 64 | - | - | 61 | 60 | - | 58 | - | 56 | 55 | 54 | - | | | | | | | | |
| | | | | | | | | | | | - | - | 50 | 49 | - | - | - | 45 | - | 43 | 42 | 41 | - | - | 38 | - | - | - | - | - | - | - | - | - | - | - | - | - |
| | | | | | | | | | | | | | | | | | | | | | - | 31 | - | 29 | 28 | - | - | - | - | 23 | - | - | 20 | 19 | 18 | 17 | - | |
| | | | | | | | | | | | | | | | | | | | | | 16 | - | - | 13 | 12 | 11 | - | - | - | 7 | - | - | - | 3 | - | 1 | - | |
| MX123 CONN ASSY 73 CKT BLK OPT0 KEY A/49 | 345664943 | C-HSG-A0 | G-CAP-0-P | TPA-A0 | RS | LS | MAL | CPA | MSEAL | RSEAL | 72 | 71 | - | - | - | - | 66 | 65 | 64 | - | - | - | - | - | - | - | - | - | - | - | - | - | - | | | | | |
| | | | | | | | | | | | - | - | - | - | 48 | 47 | 46 | 45 | - | - | - | - | 40 | - | - | - | - | 35 | - | 33 | - | - | - | - | - | - | - | |
| | | | | | | | | | | | | | | | | | | | | | - | - | 30 | - | - | - | - | - | 24 | - | 22 | 21 | 20 | - | - | 17 | - | |
| | | | | | | | | | | | | | | | | | | | | | - | - | - | - | - | - | - | - | - | 7 | 6 | 5 | 4 | - | 2 | 1 | - | |
| MX123 CONN ASSY 73 CKT GRY OPT0 KEY B/51 | 345664953 | C-HSG-B0 | G-CAP-0-P | TPA-B0 | RS | LS | MAL | CPA | MSEAL | RSEAL | - | - | - | - | - | - | - | - | - | - | 62 | 61 | 60 | - | 58 | 57 | 56 | 55 | 54 | - | | | | | | | | |
| | | | | | | | | | | | - | - | - | - | - | - | - | - | - | - | 42 | 41 | 40 | - | 38 | 37 | 36 | 35 | - | - | - | - | - | - | - | - | | |
| | | | | | | | | | | | | | | | | | | | | | - | - | - | - | - | - | - | - | - | - | 22 | 21 | 20 | - | - | - | - | |
| | | | | | | | | | | | | | | | | | | | | | - | - | - | - | - | - | - | - | 9 | - | - | 6 | 5 | 4 | - | - | - | |
| MX123 CONN ASSY 73 CKT BLK OPT9 KEY A/43 | 345664963 | C-HSG-A9 | G-CAP-9-P | TPA-A9 | RS | LS | MAL | CPA | MSEAL | RSEAL | - | 71 | 70 | - | 68 | - | - | - | 64 | - | 62 | 61 | - | 59 | 58 | - | - | 55 | 54 | - | | | | | | | | |
| | | | | | | | | | | | 52 | 51 | 50 | - | 48 | - | - | 45 | - | - | - | 41 | - | 39 | 38 | - | - | - | 34 | - | - | - | - | - | - | - | | |
| | | | | | | | | | | | | | | | | | | | | | - | - | 32 | - | - | - | - | - | 25 | - | 23 | 22 | - | - | 19 | 18 | - | |
| | | | | | | | | | | | | | | | | | | | | | - | - | - | - | 12 | - | - | 9 | 8 | 7 | 6 | - | - | - | - | - | - | |
| MX123 CONN ASSY 73 CKT GRY OPT9 KEY B/27 | 345664973 | C-HSG-B9 | G-CAP-9-P | TPA-B9 | RS | LS | MAL | CPA | MSEAL | RSEAL | 72 | 71 | 70 | 69 | - | - | 66 | 65 | - | 63 | 62 | 61 | 60 | - | - | 57 | 56 | 55 | - | 53 | | | | | | | | |
| | | | | | | | | | | | 52 | 51 | 50 | 49 | 48 | 47 | - | - | - | - | 42 | 41 | 40 | - | - | 37 | 36 | 35 | 34 | 33 | - | - | - | - | - | | | |
| | | | | | | | | | | | | | | | | | | | | | - | - | 31 | - | - | - | - | 26 | 25 | 24 | - | - | 21 | 20 | 19 | 18 | - | |
| | | | | | | | | | | | | | | | | | | | | | 16 | - | 14 | - | - | 11 | - | 9 | 8 | 7 | - | 5 | 4 | 3 | 2 | - | | |
| MX123 CONN ASSY 73 CKT GRY OPT0 KEY B/39 | 345664983 | C-HSG-B0 | G-CAP-0-P | TPA-B0 | RS | LS | MAL | CPA | MSEAL | RSEAL | - | 71 | - | 69 | - | 67 | - | 65 | 64 | 63 | 62 | 61 | - | - | 58 | 57 | 56 | - | - | - | - | | | | | | | |
| | | | | | | | | | | | - | 51 | - | 49 | - | 47 | - | 45 | - | 43 | 42 | 41 | - | - | 38 | 37 | 36 | - | - | - | - | - | - | - | - | - | | |
| | | | | | | | | | | | | | | | | | | | | | - | - | - | - | - | - | - | - | - | - | 22 | 21 | 20 | - | - | - | - | |
| | | | | | | | | | | | | | | | | | | | | | - | 15 | 14 | 13 | 12 | 11 | - | 9 | - | - | 6 | 5 | 4 | 3 | - | - | - | |
| MX123 CONN ASSY 73 CKT BLK OPT0 KEY A/36 | 345664993 | C-HSG-A0 | G-CAP-0-P | TPA-A0 | RS | LS | MAL | CPA | MSEAL | RSEAL | - | - | - | - | 68 | - | 66 | 65 | - | - | 62 | 61 | - | - | 58 | 57 | - | - | - | - | - | | | | | | | |
| | | | | | | | | | | | - | - | 50 | - | 48 | - | 46 | - | - | - | - | 40 | 39 | 38 | 37 | - | 35 | - | 33 | - | - | - | - | - | - | | | |
| | | | | | | | | | | | | | | | | | | | | | - | - | 31 | - | 29 | - | 27 | - | 25 | 24 | 23 | 22 | 21 | 20 | - | - | 17 | |
| | | | | | | | | | | | | | | | | | | | | | - | - | 14 | 13 | - | 11 | - | 9 | 8 | 7 | 6 | 5 | 4 | - | 2 | 1 | - | |
| MX123 CONN ASSY 73 CKT GRY OPT9 KEY B/31 | 345665013 | C-HSG-B9 | G-CAP-9-P | TPA-B9 | RS | LS | MAL | CPA | MSEAL | RSEAL | 72 | 71 | 70 | 69 | - | - | 66 | 65 | - | - | 62 | 61 | 60 | - | - | 57 | 56 | - | - | 53 | | | | | | | | |
| | | | | | | | | | | | 52 | 51 | 50 | 49 | 48 | 47 | - | - | - | - | 42 | 41 | 40 | - | - | 37 | 36 | - | 34 | 33 | - | - | - | - | | | | |
| | | | | | | | | | | | | | | | | | | | | | - | - | 31 | - | - | - | - | 26 | 25 | 24 | - | - | 21 | 20 | - | 18 | - | |
| | | | | | | | | | | | | | | | | | | | | | 16 | - | 14 | - | - | 11 | - | 9 | 8 | 7 | - | 5 | 4 | 3 | 2 | - | | |
| MX123 CONN ASSY 73 CKT BLU OPT0 KEY C/38 | 345665023 | C-HSG-C0 | G-CAP-0-P | TPA-C0 | RS | LS | MAL | CPA | MSEAL | RSEAL | - | 71 | - | 69 | - | - | 66 | 65 | 64 | - | - | 61 | 60 | - | 58 | - | 56 | 55 | 54 | - | | | | | | | | |
| | | | | | | | | | | | - | - | 50 | 49 | - | - | - | 45 | - | 43 | - | 41 | - | - | 38 | - | - | 35 | - | - | - | - | - | - | - | - | | |
| | | | | | | | | | | | | | | | | | | | | | - | 31 | - | 29 | 28 | 27 | - | - | - | 23 | - | - | - | 19 | 18 | 17 | - | |
| | | | | | | | | | | | | | | | | | | | | | 16 | - | - | 13 | 12 | 11 | 10 | 9 | - | 7 | - | - | - | 3 | - | 1 | - | |
| MX123 CONN ASSY 73 CKT BLK OPT0 KEY A/40 | 345665033 | C-HSG-A0 | G-CAP-0-P | TPA-A0 | RS | LS | MAL | CPA | MSEAL | RSEAL | 72 | 71 | - | - | 68 | 67 | 66 | 65 | 64 | - | - | - | - | 59 | - | - | - | - | - | - | - | - | | | | | | |
| | | | | | | | | | | | - | - | 50 | - | 48 | 47 | 46 | 45 | - | - | - | - | 40 | 39 | 38 | - | - | - | - | - | - | - | - | - | - | - | | |
| | | | | | | | | | | | | | | | | | | | | | - | - | 31 | 30 | - | - | - | - | 24 | 23 | 22 | 21 | 20 | - | - | 17 | - | |
| | | | | | | | | | | | | | | | | | | | | | - | - | 14 | - | - | - | - | 9 | 8 | 7 | 6 | 5 | 4 | - | 2 | 1 | - | |
| MX123 CONN ASSY 73 CKT BLK OPT0 KEY A/2 | 345665043 | C-HSG-A0 | G-CAP-0-P | TPA-A0 | RS | LS | MAL | CPA | MSEAL | RSEAL | 72 | 71 | 70 | 69 | 68 | 67 | 66 | 65 | 64 | 63 | 62 | 61 | 60 | 59 | 58 | 57 | 56 | 55 | 54 | 53 | | | | | | | | |
| | | | | | | | | | | | 52 | 51 | 50 | 49 | 48 | 47 | 46 | 45 | 44 | 43 | 42 | 41 | 40 | 39 | 38 | 37 | 36 | 35 | 34 | 33 | - | - | - | - | | | | |
| | | | | | | | | | | | | | | | | | | | | | - | - | 32 | - | 30 | 29 | 28 | 27 | 26 | 25 | 24 | 23 | 22 | 21 | 20 | 19 | 18 | 17 |
| | | | | | | | | | | | | | | | | | | | | | 16 | 15 | 14 | 13 | 12 | 11 | 10 | 9 | 8 | 7 | 6 | 5 | 4 | 3 | 2 | 1 | - | |
| MX123 CONN ASSY 73 CKT GRY OPT0 KEY B/6 | 345665053 | C-HSG-B0 | G-CAP-0-P | TPA-B0 | RS | LS | MAL | CPA | MSEAL | RSEAL | 72 | 71 | 70 | 69 | 68 | 67 | 66 | 65 | 64 | 63 | 62 | 61 | 60 | 59 | 58 | 57 | 56 | 55 | 54 | 53 | | | | | | | | |
| | | | | | | | | | | | 52 | 51 | 50 | 49 | 48 | - | 46 | 45 | 44 | 43 | 42 | 41 | 40 | 39 | 38 | 37 | 36 | 35 | 34 | 33 | - | - | - | - | | | | |
| | | | | | | | | | | | | | | | | | | | | | - | - | 32 | - | 30 | 29 | 28 | 27 | 26 | 25 | 24 | 23 | 22 | 21 | - | 19 | 18 | - |
| | | | | | | | | | | | | | | | | | | | | | 16 | 15 | 14 | 13 | 12 | 11 | 10 | 9 | 8 | 7 | 6 | 5 | 4 | 3 | 2 | - | - | |

| ASSEMBLY DESCRIPTION | ASSEMBLY PART NUMBER | CONNECTOR HOUSING | GROMMET CAP | TPA | RIGHT SLIDE | LEFT SLIDE | MATE ASSIST LEVER | CPA | MAT SEAL | RING SEAL | BLOCKED TERMINALS | | | | | | | | | | | | | | | | | | STATUS | COMMENTS | INTEGRAL COMPONENTS SOLD SEPARATELY | | |
|--|----------------------|-------------------|-------------|--------|-------------|------------|-------------------|-----|----------|-----------|--|----|----|----|----|----|----|----|----|----|----|----|----|----|----|----|----|----|--------|----------|-------------------------------------|----|----|
| | | | | | | | | | | | CAVITY WITH A NUMBER INDICATES BLOCKED TERMINAL POSITION | | | | | | | | | | | | | | | | | | | | DRESS COVER | | |
| | | | | | | | | | | | CAVITY WITHOUT A NUMBER INDICATES OPEN TERMINAL POSITION | | | | | | | | | | | | | | | | | | | | | | |
| MX123 CONN ASSY 73 CKT BLU OPT0 KEY C/47 | 345665313 | C-HSG-C0 | G-CAP-0-P | TPA-C0 | RS | LS | MAL | CPA | MSEAL | RSEAL | - | 71 | - | 69 | - | - | - | 65 | 64 | - | - | 61 | 60 | - | 58 | - | - | - | 54 | - | | | |
| | | | | | | | | | | | - | - | 50 | 49 | - | - | - | 45 | - | 43 | - | 41 | - | - | - | - | 35 | - | - | | | | |
| | | | | | | | | | | | - | | | | | | | | | | | | | | | | | | 16 | - | - | 13 | 12 |
| MX123 CONN ASSY 73 CKT BLK OPT0 KEY A/35 | 345665333 | C-HSG-A0 | G-CAP-0-P | TPA-A0 | RS | LS | MAL | CPA | MSEAL | RSEAL | - | - | - | 69 | - | - | - | - | - | - | - | 61 | - | - | 58 | 57 | - | 55 | 54 | - | | | |
| | | | | | | | | | | | 52 | - | 50 | - | - | - | - | - | - | - | 42 | - | - | 39 | 38 | 37 | 36 | 35 | 34 | 33 | | | |
| | | | | | | | | | | | - | | | | | | | | | | | | | | | | | | 32 | 31 | - | - | - |
| MX123 CONN ASSY 73 CKT GRY OPT0 KEY B/24 | 345665343 | C-HSG-B0 | G-CAP-0-P | TPA-B0 | RS | LS | MAL | CPA | MSEAL | RSEAL | 72 | 71 | 70 | 69 | - | - | 66 | 65 | - | 63 | 62 | 61 | 60 | - | - | 57 | 56 | 55 | - | 53 | | | |
| | | | | | | | | | | | 52 | 51 | 50 | 49 | 48 | 47 | - | - | 44 | 43 | 42 | 41 | 40 | - | - | 37 | 36 | 35 | 34 | 33 | | | |
| | | | | | | | | | | | - | | | | | | | | | | | | | | | | | | 16 | 15 | 14 | 13 | - |
| MX123 CONN ASSY 73 CKT GRY OPT9 KEY B/32 | 345665353 | C-HSG-B9 | G-CAP-9-P | TPA-B9 | RS | LS | MAL | CPA | MSEAL | RSEAL | 72 | 71 | 70 | 69 | - | - | 66 | 65 | - | 63 | 62 | 61 | 60 | - | - | 57 | 56 | - | - | 53 | | | |
| | | | | | | | | | | | 52 | 51 | 50 | 49 | 48 | 47 | - | - | - | - | 42 | 41 | 40 | - | - | 37 | 36 | - | - | 33 | | | |
| | | | | | | | | | | | - | | | | | | | | | | | | | | | | | | 16 | - | 14 | - | - |
| MX123 CONN ASSY 73 CKT BLU OPT0 KEY C/35 | 345665363 | C-HSG-C0 | G-CAP-0-P | TPA-C0 | RS | LS | MAL | CPA | MSEAL | RSEAL | - | 71 | - | 69 | - | 67 | - | 65 | 64 | - | - | 61 | 60 | - | 58 | - | 56 | 55 | 54 | - | | | |
| | | | | | | | | | | | - | - | 50 | 49 | - | - | - | 45 | - | 43 | - | 41 | - | - | - | 37 | 36 | 35 | - | - | | | |
| | | | | | | | | | | | - | | | | | | | | | | | | | | | | | | 16 | - | - | 13 | 12 |
| MX123 CONN ASSY 73 CKT BLU OPT0 KEY C/32 | 345665373 | C-HSG-C0 | G-CAP-0-P | TPA-C0 | RS | LS | MAL | CPA | MSEAL | RSEAL | - | 71 | - | 69 | - | 67 | - | 65 | 64 | - | - | 61 | 60 | - | 58 | - | 56 | 55 | 54 | - | | | |
| | | | | | | | | | | | - | - | 50 | 49 | - | - | - | 45 | - | 43 | - | 41 | - | - | 38 | 37 | 36 | 35 | - | - | | | |
| | | | | | | | | | | | - | | | | | | | | | | | | | | | | | | 16 | - | - | 13 | 12 |
| MX123 CONN ASSY 73 CKT BLU OPT0 KEY C/39 | 345665383 | C-HSG-C0 | G-CAP-0-P | TPA-C0 | RS | LS | MAL | CPA | MSEAL | RSEAL | - | 71 | - | 69 | - | 67 | - | 65 | 64 | - | - | 61 | 60 | - | 58 | - | 56 | 55 | 54 | - | | | |
| | | | | | | | | | | | - | - | 50 | 49 | - | - | - | 45 | - | 43 | - | 41 | - | - | 38 | - | - | 35 | - | - | | | |
| | | | | | | | | | | | - | | | | | | | | | | | | | | | | | | 16 | - | - | 13 | 12 |
| MX123 CONN ASSY 73 CKT BLK OPT0 KEY A/30 | 345665393 | C-HSG-A0 | G-CAP-0-P | TPA-A0 | RS | LS | MAL | CPA | MSEAL | RSEAL | 72 | 71 | - | - | 68 | 67 | 66 | 65 | 64 | - | 62 | 61 | 60 | 59 | 58 | 57 | - | - | - | - | | | |
| | | | | | | | | | | | - | - | 50 | - | 48 | 47 | 46 | 45 | - | - | - | - | 40 | 39 | 38 | 37 | - | 35 | - | 33 | | | |
| | | | | | | | | | | | - | | | | | | | | | | | | | | | | | | 15 | 14 | 13 | - | 11 |
| MX123 CONN ASSY 73 CKT GRY OPT0 KEY B/42 | 345665403 | C-HSG-B0 | G-CAP-0-P | TPA-B0 | RS | LS | MAL | CPA | MSEAL | RSEAL | 72 | 71 | 70 | 69 | 68 | 67 | 66 | - | 64 | 63 | 62 | 61 | 60 | - | - | - | - | 54 | - | | | | |
| | | | | | | | | | | | 52 | 51 | - | - | - | 47 | - | - | 44 | 43 | 42 | 41 | 40 | - | - | - | 36 | - | - | - | | | |
| | | | | | | | | | | | - | | | | | | | | | | | | | | | | | | 32 | 31 | 30 | - | 28 |
| MX123 CONN ASSY 73 CKT BLK OPT0 KEY A/31 | 345665413 | C-HSG-A0 | G-CAP-0-P | TPA-A0 | RS | LS | MAL | CPA | MSEAL | RSEAL | 72 | 71 | - | - | 68 | 67 | 66 | 65 | 64 | - | 62 | 61 | 60 | 59 | 58 | 57 | - | - | - | - | | | |
| | | | | | | | | | | | - | - | 50 | - | 48 | 47 | 46 | 45 | - | - | - | - | 40 | 39 | 38 | 37 | - | 35 | - | 33 | | | |
| | | | | | | | | | | | - | | | | | | | | | | | | | | | | | | 15 | 14 | 13 | - | 11 |
| MX123 CONN ASSY 73 CKT BLK OPT0 KEY A/27 | 345665423 | C-HSG-A0 | G-CAP-0-P | TPA-A0 | RS | LS | MAL | CPA | MSEAL | RSEAL | 72 | 71 | - | - | 68 | 67 | 66 | 65 | 64 | - | 62 | 61 | 60 | 59 | - | 57 | - | - | - | - | | | |
| | | | | | | | | | | | - | - | 50 | - | 48 | 47 | 46 | 45 | - | - | - | - | 40 | 39 | 38 | 37 | - | 35 | - | 33 | | | |
| | | | | | | | | | | | - | | | | | | | | | | | | | | | | | | 15 | 14 | 13 | - | 11 |
| MX123 CONN ASSY 73 CKT GRY OPT9 KEY B/22 | 345665433 | C-HSG-B9 | G-CAP-9-P | TPA-B9 | RS | LS | MAL | CPA | MSEAL | RSEAL | 72 | 71 | 70 | 69 | - | - | 66 | 65 | - | 63 | 62 | 61 | 60 | - | - | 57 | 56 | 55 | - | 53 | | | |
| | | | | | | | | | | | 52 | 51 | 50 | 49 | 48 | 47 | - | - | 44 | 43 | 42 | 41 | 40 | - | - | 37 | 36 | 35 | 34 | 33 | | | |
| | | | | | | | | | | | - | | | | | | | | | | | | | | | | | | 16 | 15 | 14 | 13 | 12 |

| ASSEMBLY DESCRIPTION | ASSEMBLY PART NUMBER | CONNECTOR HOUSING | GROMMET CAP | TPA | RIGHT SLIDE | LEFT SLIDE | MATE ASSIST LEVER | CPA | MAT SEAL | RING SEAL | BLOCKED TERMINALS | | | | | | | | | | | | | | | | | | | | STATUS | COMMENTS | INTEGRAL COMPONENTS SOLD SEPARATELY | |
|--|----------------------|-------------------|-------------|--------|-------------|------------|-------------------|-----|----------|-----------|--|----|----|----|----|----|----|----|----|----|----|----|----|----|----|----|----|----|----|----------|----------|-----------|-------------------------------------|---|
| | | | | | | | | | | | CAVITY WITH A NUMBER INDICATES BLOCKED TERMINAL POSITION | | | | | | | | | | | | | | | | | | | | | | DRESS COVER | |
| | | | | | | | | | | | CAVITY WITHOUT A NUMBER INDICATES OPEN TERMINAL POSITION | | | | | | | | | | | | | | | | | | | | | | | |
| MX123 CONN ASSY 73 CKT GRY OPT9 KEY B/24 | 345665443 | C-HSG-B9 | G-CAP-9-P | TPA-B9 | RS | LS | MAL | CPA | MSEAL | RSEAL | 72 | 71 | 70 | 69 | - | - | 66 | 65 | - | 63 | 62 | 61 | 60 | - | - | 57 | 56 | 55 | - | 53 | SALEABLE | | 345650003 | |
| | | | | | | | | | | | 52 | 51 | 50 | 49 | 48 | 47 | - | - | 44 | 43 | 42 | 41 | 40 | - | - | 37 | 36 | 35 | 34 | 33 | | | | |
| | | | | | | | | | | | | | | | - | 31 | - | - | - | - | 26 | 25 | 24 | - | - | 21 | 20 | 19 | 18 | - | | | | |
| | | | | | | | | | | | | | | | 16 | - | 14 | - | 12 | 11 | - | 9 | 8 | 7 | - | 5 | 4 | 3 | 2 | - | | | | |
| MX123 CONN ASSY 73 CKT GRY OPT0 KEY B/24 | 345665453 | C-HSG-B0 | G-CAP-0-P | TPA-B0 | RS | LS | MAL | CPA | MSEAL | RSEAL | 72 | 71 | 70 | 69 | - | - | 66 | 65 | - | 63 | 62 | 61 | 60 | - | - | 57 | 56 | 55 | - | 53 | SALEABLE | | 345650003 | |
| | | | | | | | | | | | 52 | 51 | 50 | 49 | 48 | 47 | - | - | 44 | 43 | 42 | 41 | 40 | - | - | 37 | 36 | 35 | 34 | 33 | | | | |
| | | | | | | | | | | | | | | | - | 31 | - | - | - | - | 26 | 25 | 24 | - | - | 21 | 20 | 19 | 18 | - | | | | |
| | | | | | | | | | | | | | | | 16 | - | 14 | - | 12 | 11 | - | 9 | 8 | 7 | - | 5 | 4 | 3 | 2 | - | | | | |
| MX123 CONN ASSY 73 CKT BLK OPT0 KEY A/21 | 345665463 | C-HSG-A0 | G-CAP-0-P | TPA-A0 | RS | LS | MAL | CPA | MSEAL | RSEAL | - | 71 | - | 69 | 68 | 67 | 66 | 65 | 64 | - | 62 | 61 | 60 | 59 | 58 | 57 | 56 | 55 | 54 | 53 | SALEABLE | | 345650003 | |
| | | | | | | | | | | | - | 51 | 50 | - | 48 | 47 | 46 | 45 | 44 | 43 | 42 | - | 40 | 39 | 38 | 37 | 36 | 35 | 34 | 33 | | | | |
| | | | | | | | | | | | | | | | 32 | - | - | 29 | - | - | - | 25 | 24 | - | 22 | 21 | - | - | 18 | 17 | | | | - |
| | | | | | | | | | | | | | | | - | - | - | 13 | - | 11 | - | 9 | 8 | 7 | - | 5 | 4 | 3 | 2 | 1 | | | | |
| MX123 CONN ASSY 73 CKT BLK OPT0 KEY A/45 | 345665473 | C-HSG-A0 | G-CAP-0-P | TPA-A0 | RS | LS | MAL | CPA | MSEAL | RSEAL | - | - | - | 69 | - | - | - | - | - | - | - | 61 | - | - | 58 | 57 | - | 55 | 54 | - | SALEABLE | | 345650003 | |
| | | | | | | | | | | | - | - | 50 | 49 | - | - | - | - | - | - | - | - | - | 39 | 38 | 37 | 36 | 35 | 34 | 33 | | | | |
| | | | | | | | | | | | | | | | 32 | - | - | - | - | - | - | - | - | 22 | 21 | - | - | 18 | - | - | | | | |
| | | | | | | | | | | | | | | | - | - | - | 13 | - | - | - | 9 | 8 | 7 | - | 5 | 4 | 3 | 2 | 1 | | | | |
| MX123 CONN ASSY 73 CKT GRY OPT0 KEY B/39 | 345665483 | C-HSG-B0 | G-CAP-0-P | TPA-B0 | RS | LS | MAL | CPA | MSEAL | RSEAL | - | 71 | - | 69 | - | 67 | - | 65 | - | - | 62 | 61 | - | - | 58 | 57 | 56 | - | - | - | SALEABLE | | 345650003 | |
| | | | | | | | | | | | - | 51 | - | 49 | - | 47 | - | 45 | 44 | 43 | 42 | 41 | - | - | 38 | 37 | 36 | - | - | - | | | | |
| | | | | | | | | | | | | | | | - | - | - | - | - | - | - | - | - | 23 | 22 | 21 | - | 19 | 18 | - | | | | |
| | | | | | | | | | | | | | | | - | 15 | 14 | 13 | 12 | 11 | - | 9 | - | 7 | 6 | - | - | 3 | - | - | | | | |
| MX123 CONN ASSY 73 CKT BLK OPT0 KEY A/37 | 345665493 | C-HSG-A0 | G-CAP-0-P | TPA-A0 | RS | LS | MAL | CPA | MSEAL | RSEAL | - | 71 | - | - | 68 | 67 | 66 | 65 | 64 | - | 62 | 61 | - | - | - | - | - | - | - | SALEABLE | | 345650003 | | |
| | | | | | | | | | | | - | - | 50 | - | 48 | 47 | 46 | 45 | - | - | - | - | - | 39 | 38 | - | - | 35 | - | | | | 33 | |
| | | | | | | | | | | | | | | | - | 31 | 30 | 29 | - | 27 | - | 25 | 24 | 23 | 22 | 21 | 20 | - | - | | | | - | |
| | | | | | | | | | | | | | | | - | - | 14 | 13 | - | 11 | - | 9 | 8 | 7 | 6 | 5 | 4 | - | - | | | | - | |
| MX123 CONN ASSY 73 CKT BLK OPT0 KEY A/30 | 345665503 | C-HSG-A0 | G-CAP-0-P | TPA-A0 | RS | LS | MAL | CPA | MSEAL | RSEAL | - | - | 70 | - | - | - | - | 65 | - | - | - | 61 | - | - | 58 | 57 | 56 | 55 | 54 | 53 | SALEABLE | | 345650003 | |
| | | | | | | | | | | | - | 51 | 50 | - | - | 47 | - | 45 | - | - | - | 41 | - | - | 38 | 37 | 36 | - | 34 | - | | | | |
| | | | | | | | | | | | | | | | - | 31 | 30 | - | 28 | - | - | 25 | - | - | 22 | 21 | 20 | 19 | 18 | - | | | | |
| | | | | | | | | | | | | | | | 16 | 15 | - | - | - | - | - | - | - | - | - | - | - | - | - | - | | | | |
| MX123 CONN ASSY 73 CKT GRY OPT9 KEY B/22 | 345665513 | C-HSG-B9 | G-CAP-9-P | TPA-B9 | RS | LS | MAL | CPA | MSEAL | RSEAL | 72 | 71 | 70 | 69 | - | - | 66 | 65 | - | 63 | 62 | 61 | 60 | 59 | - | 57 | 56 | - | 54 | 53 | SALEABLE | | 345650003 | |
| | | | | | | | | | | | 52 | 51 | 50 | 49 | 48 | 47 | - | - | 44 | 43 | 42 | 41 | 40 | 39 | - | 37 | 36 | - | 34 | 33 | | | | |
| | | | | | | | | | | | | | | | - | 31 | - | - | - | - | 26 | 25 | 24 | 23 | - | 21 | 20 | - | 18 | - | | | | |
| | | | | | | | | | | | | | | | 16 | 15 | 14 | 13 | 12 | 11 | - | 9 | 8 | 7 | 6 | 5 | 4 | 3 | 2 | - | | | | |
| MX123 CONN ASSY 73 CKT BLK OPT9 KEY A/42 | 345665523 | C-HSG-A9 | G-CAP-9-P | TPA-A9 | RS | LS | MAL | CPA | MSEAL | RSEAL | - | 71 | 70 | - | 68 | - | - | - | 64 | - | 62 | 61 | - | 59 | 58 | - | - | 55 | 54 | - | SALEABLE | | 345650003 | |
| | | | | | | | | | | | 52 | 51 | 50 | - | 48 | - | 46 | 45 | - | - | - | 41 | - | 39 | 38 | - | - | - | 34 | - | | | | |
| | | | | | | | | | | | | | | | 32 | - | - | - | - | - | 25 | - | 23 | 22 | - | - | 19 | 18 | - | | | | | |
| | | | | | | | | | | | | | | | - | - | - | - | 12 | - | - | 9 | 8 | 7 | 6 | - | - | - | - | | | | | |
| MX123 CONN ASSY 73 CKT GRY OPT9 KEY B/24 | 345665533 | C-HSG-B9 | G-CAP-9-P | TPA-B9 | RS | LS | MAL | CPA | MSEAL | RSEAL | 72 | 71 | 70 | 69 | - | - | 66 | 65 | - | 63 | 62 | 61 | 60 | - | - | 57 | 56 | 55 | - | 53 | SALEABLE | | 345650003 | |
| | | | | | | | | | | | 52 | 51 | 50 | 49 | 48 | 47 | - | - | 44 | 43 | 42 | 41 | 40 | - | - | 37 | 36 | 35 | 34 | 33 | | | | |
| | | | | | | | | | | | | | | | - | 31 | - | - | - | - | 26 | 25 | 24 | - | - | 21 | 20 | 19 | 18 | - | | | | |
| | | | | | | | | | | | | | | | 16 | 15 | 14 | 13 | 12 | 11 | - | 9 | - | 7 | - | 5 | 4 | 3 | 2 | - | | | | |
| MX123 CONN ASSY 73 CKT BLK OPT9 KEY A/24 | 345665543 | C-HSG-A9 | G-CAP-9-P | TPA-A9 | RS | LS | MAL | CPA | MSEAL | RSEAL | 72 | 71 | 70 | 69 | - | - | 66 | 65 | - | 63 | 62 | 61 | 60 | - | - | 57 | 56 | 55 | - | 53 | SALEABLE | | 345650003 | |
| | | | | | | | | | | | 52 | 51 | 50 | 49 | 48 | 47 | - | - | 44 | 43 | 42 | 41 | 40 | - | - | 37 | 36 | 35 | 34 | 33 | | | | |
| | | | | | | | | | | | | | | | - | 31 | - | - | - | - | 26 | 25 | 24 | - | - | 21 | 20 | 19 | 18 | - | | | | |
| | | | | | | | | | | | | | | | 16 | 15 | 14 | 13 | - | 11 | - | 9 | - | 7 | - | 5 | 4 | 3 | 2 | - | | | | |
| MX123 CONN ASSY 73 CKT GRY OPT9 KEY B/24 | 345665553 | C-HSG-B9 | G-CAP-9-P | TPA-B9 | RS | LS | MAL | CPA | MSEAL | RSEAL | 72 | 71 | 70 | 69 | - | - | 66 | 65 | - | 63 | 62 | 61 | 60 | - | - | 57 | 56 | 55 | - | 53 | SALEABLE | | 345650003 | |
| | | | | | | | | | | | 52 | 51 | 50 | 49 | 48 | 47 | - | - | 44 | 43 | 42 | 41 | 40 | - | - | 37 | 36 | 35 | 34 | 33 | | | | |
| | | | | | | | | | | | | | | | - | 31 | - | - | - | - | 26 | 25 | 24 | - | - | 21 | 20 | 19 | 18 | - | | | | |
| | | | | | | | | | | | | | | | 16 | 15 | 14 | 13 | - | 11 | - | 9 | - | 7 | - | 5 | 4 | 3 | 2 | - | | | | |

| ASSEMBLY DESCRIPTION | ASSEMBLY PART NUMBER | CONNECTOR HOUSING | GROMMET CAP | TPA | RIGHT SLIDE | LEFT SLIDE | MATE ASSIST LEVER | CPA | MAT SEAL | RING SEAL | BLOCKED TERMINALS | | | | | | | | | | | | | | | | | | | | STATUS | COMMENTS | INTEGRAL COMPONENTS SOLD SEPARATELY | | | | |
|--|----------------------|-------------------|-------------|--------|-------------|------------|-------------------|-----|----------|-----------|--|----|----|----|----|----|----|----|----|----|----|----|----|----|----|----|----|----|----|----------|----------|-----------|-------------------------------------|--|--|--|--|
| | | | | | | | | | | | CAVITY WITH A NUMBER INDICATES BLOCKED TERMINAL POSITION | | | | | | | | | | | | | | | | | | | | | | DRESS COVER | | | | |
| | | | | | | | | | | | CAVITY WITHOUT A NUMBER INDICATES OPEN TERMINAL POSITION | | | | | | | | | | | | | | | | | | | | | | | | | | |
| MX123 CONN ASSY 73 CKT GRY OPT0 KEY B/18 | 345665683 | C-HSG-B0 | G-CAP-0-P | TPA-B0 | RS | LS | MAL | CPA | MSEAL | RSEAL | - | 71 | 70 | 69 | 68 | 67 | 66 | 65 | 64 | 63 | - | - | 60 | 59 | 58 | 57 | 56 | 55 | 54 | 53 | SALEABLE | | 345650003 | | | | |
| | | | | | | | | | | | - | 51 | 50 | 49 | - | 47 | - | 45 | - | - | 42 | - | - | 39 | 38 | 37 | 36 | 35 | 34 | 33 | | | | | | | |
| | | | | | | | | | | | | | | | 32 | 31 | - | 29 | 28 | 27 | 26 | 25 | 24 | 23 | 22 | 21 | - | - | - | 17 | | | | | | | |
| | | | | | | | | | | | - | 15 | - | 13 | 12 | 11 | 10 | 9 | 8 | 7 | 6 | 5 | - | 3 | 2 | 1 | | | | | | | | | | | |
| MX123 CONN ASSY 73 CKT BLK OPT0 KEY A/53 | 345665693 | C-HSG-A0 | G-CAP-0-P | TPA-A0 | RS | LS | MAL | CPA | MSEAL | RSEAL | - | - | - | - | - | 67 | - | - | - | - | 62 | - | - | 59 | 58 | - | - | 55 | - | - | SALEABLE | | 345650003 | | | | |
| | | | | | | | | | | | - | - | - | - | - | 47 | - | - | - | - | 42 | 41 | - | - | - | - | - | 35 | - | - | | | | | | | |
| | | | | | | | | | | | | | | | - | - | - | - | - | 27 | - | - | 24 | - | - | - | - | 19 | 18 | 17 | | | | | | | |
| | | | | | | | | | | | 16 | - | - | - | - | 11 | 10 | - | 8 | - | - | - | - | 3 | - | 1 | | | | | | | | | | | |
| MX123 CONN ASSY 73 CKT GRY OPT0 KEY B/52 | 345665703 | C-HSG-B0 | G-CAP-0-P | TPA-B0 | RS | LS | MAL | CPA | MSEAL | RSEAL | 72 | 71 | 70 | 69 | - | 67 | 66 | 65 | 64 | 63 | 62 | 61 | 60 | - | 58 | - | 56 | - | 54 | - | SALEABLE | | 345650003 | | | | |
| | | | | | | | | | | | 52 | 51 | 50 | - | - | 47 | - | 45 | 44 | 43 | 42 | 41 | 40 | - | 38 | - | 36 | - | 34 | - | | | | | | | |
| | | | | | | | | | | | | | | | 32 | 31 | 30 | - | 28 | 27 | 26 | 25 | 24 | - | 22 | - | 20 | 19 | - | - | | | | | | | |
| | | | | | | | | | | | 16 | 15 | 14 | 13 | - | - | - | 9 | 8 | - | 6 | 5 | 4 | 3 | 2 | 1 | | | | | | | | | | | |
| MX123 CONN ASSY 73 CKT BLU OPT0 KEY C/40 | 345665713 | C-HSG-C0 | G-CAP-0-P | TPA-C0 | RS | LS | MAL | CPA | MSEAL | RSEAL | 72 | 71 | 70 | - | 68 | - | - | 65 | - | 63 | - | 61 | - | 59 | 58 | - | 56 | - | - | 53 | SALEABLE | | 345650003 | | | | |
| | | | | | | | | | | | - | - | - | 49 | - | 47 | - | - | - | 43 | - | 41 | 40 | 39 | 38 | - | 36 | - | - | - | | | | | | | |
| | | | | | | | | | | | | | | | - | - | 30 | 29 | - | - | - | 25 | 24 | 23 | 22 | 21 | 20 | - | - | - | | | | | | | |
| | | | | | | | | | | | - | - | - | - | - | - | - | - | - | - | 6 | 5 | 4 | 3 | 2 | 1 | | | | | | | | | | | |
| MX123 CONN ASSY 73 CKT BLU OPT0 KEY C/36 | 345665723 | C-HSG-C0 | G-CAP-0-P | TPA-C0 | RS | LS | MAL | CPA | MSEAL | RSEAL | 72 | 71 | 70 | - | 68 | - | - | 65 | - | 63 | 62 | - | - | 59 | 58 | - | 56 | 55 | - | 53 | SALEABLE | | 345650003 | | | | |
| | | | | | | | | | | | - | - | - | - | - | 47 | - | - | - | 43 | 42 | - | 40 | 39 | 38 | - | 36 | 35 | - | - | | | | | | | |
| | | | | | | | | | | | | | | | 32 | - | 30 | 29 | - | - | 26 | - | 24 | 23 | 22 | 21 | 20 | 19 | - | 17 | | | | | | | |
| | | | | | | | | | | | - | - | - | - | - | - | - | - | - | - | 6 | 5 | 4 | 3 | 2 | 1 | | | | | | | | | | | |
| MX123 CONN ASSY 73 CKT BLK OPT0 KEY A/36 | 345665733 | C-HSG-A0 | G-CAP-0-P | TPA-A0 | RS | LS | MAL | CPA | MSEAL | RSEAL | 72 | - | - | - | 68 | 67 | 66 | 65 | - | - | 62 | 61 | - | - | - | - | - | - | - | SALEABLE | | 345650003 | | | | | |
| | | | | | | | | | | | - | - | 50 | - | 48 | 47 | 46 | - | - | - | - | - | 40 | 39 | 38 | - | - | 35 | - | | | | 33 | | | | |
| | | | | | | | | | | | | | | | - | 31 | - | 29 | - | 27 | - | 25 | 24 | 23 | 22 | 21 | 20 | - | - | | | | 17 | | | | |
| | | | | | | | | | | | - | - | 14 | 13 | - | 11 | - | 9 | 8 | 7 | 6 | 5 | 4 | - | 2 | 1 | | | | | | | | | | | |
| MX123 CONN ASSY 73 CKT BLK OPT0 KEY A/36 | 345665743 | C-HSG-A0 | G-CAP-0-P | TPA-A0 | RS | LS | MAL | CPA | MSEAL | RSEAL | 72 | - | - | - | 68 | - | 66 | 65 | - | - | 62 | 61 | - | - | 58 | - | - | - | - | SALEABLE | | 345650003 | | | | | |
| | | | | | | | | | | | - | - | 50 | - | 48 | 47 | 46 | - | - | - | - | - | 40 | 39 | 38 | - | - | 35 | - | | | | 33 | | | | |
| | | | | | | | | | | | | | | | - | 31 | - | 29 | - | 27 | - | 25 | 24 | 23 | 22 | 21 | 20 | - | - | | | | 17 | | | | |
| | | | | | | | | | | | - | - | 14 | 13 | - | 11 | - | 9 | 8 | 7 | 6 | 5 | 4 | - | 2 | 1 | | | | | | | | | | | |
| MX123 CONN ASSY 73 CKT BLK OPT0 KEY A/39 | 345665753 | C-HSG-A0 | G-CAP-0-P | TPA-A0 | RS | LS | MAL | CPA | MSEAL | RSEAL | 72 | - | - | - | 68 | 67 | 66 | 65 | - | - | 62 | 61 | - | - | 58 | - | - | - | - | SALEABLE | | 345650003 | | | | | |
| | | | | | | | | | | | - | - | 50 | - | 48 | 47 | 46 | - | - | - | - | - | 40 | 39 | 38 | - | - | 35 | - | | | | 33 | | | | |
| | | | | | | | | | | | | | | | - | 31 | - | 29 | - | 27 | - | 25 | 24 | - | 22 | - | 20 | - | - | | | | 17 | | | | |
| | | | | | | | | | | | - | - | 14 | 13 | - | 11 | - | 9 | - | 7 | 6 | - | 4 | - | 2 | 1 | | | | | | | | | | | |
| MX123 CONN ASSY 73 CKT BLU OPT0 KEY C/42 | 345665763 | C-HSG-C0 | G-CAP-0-P | TPA-C0 | RS | LS | MAL | CPA | MSEAL | RSEAL | - | 71 | - | 69 | - | 67 | - | 65 | 64 | - | - | 61 | 60 | - | 58 | - | 56 | 55 | 54 | - | SALEABLE | | 345650003 | | | | |
| | | | | | | | | | | | - | - | 50 | 49 | - | - | - | 45 | - | 43 | - | 41 | - | - | 38 | - | - | 35 | - | - | | | | | | | |
| | | | | | | | | | | | | | | | - | 31 | - | 29 | 28 | - | - | - | - | 23 | - | - | - | 19 | 18 | 17 | | | | | | | |
| | | | | | | | | | | | 16 | - | - | - | 12 | 11 | - | - | - | 7 | - | - | - | 3 | - | 1 | | | | | | | | | | | |
| MX123 CONN ASSY 73 CKT BLU OPT0 KEY C/41 | 345665773 | C-HSG-C0 | G-CAP-0-P | TPA-C0 | RS | LS | MAL | CPA | MSEAL | RSEAL | - | 71 | - | 69 | - | 67 | 66 | 65 | 64 | - | - | 61 | 60 | - | - | 56 | 55 | 54 | - | SALEABLE | | 345650003 | | | | | |
| | | | | | | | | | | | - | - | 50 | 49 | - | - | 46 | 45 | - | 43 | - | 41 | - | - | 38 | - | - | 35 | - | | | | - | | | | |
| | | | | | | | | | | | | | | | - | 31 | - | 29 | 28 | - | - | - | - | 23 | - | - | - | 19 | 18 | | | | - | | | | |
| | | | | | | | | | | | 16 | - | - | - | 12 | 11 | 10 | 9 | - | 7 | - | - | - | 3 | - | - | | | | | | | | | | | |
| MX123 CONN ASSY 73 CKT BLU OPT0 KEY C/38 | 345665783 | C-HSG-C0 | G-CAP-0-P | TPA-C0 | RS | LS | MAL | CPA | MSEAL | RSEAL | - | 71 | - | 69 | - | 67 | 66 | 65 | 64 | - | - | 61 | 60 | - | 58 | - | 56 | 55 | 54 | - | SALEABLE | | 345650003 | | | | |
| | | | | | | | | | | | - | - | 50 | 49 | - | - | 46 | 45 | - | 43 | - | 41 | - | - | 38 | - | - | 35 | - | - | | | | | | | |
| | | | | | | | | | | | | | | | - | 31 | - | 29 | 28 | - | - | - | - | 23 | - | - | - | 19 | 18 | 17 | | | | | | | |
| | | | | | | | | | | | 16 | - | - | - | 12 | 11 | 10 | 9 | - | 7 | - | - | - | 3 | - | 1 | | | | | | | | | | | |
| MX123 CONN ASSY 73 CKT BLK OPT0 KEY B/34 | 345665793 | C-HSG-B0 | G-CAP-0-P | TPA-B0 | RS | LS | MAL | CPA | MSEAL | RSEAL | - | 71 | - | 69 | - | 67 | - | 65 | 64 | 63 | 62 | 61 | - | - | 58 | 57 | 56 | - | - | - | SALEABLE | | 345650003 | | | | |
| | | | | | | | | | | | - | 51 | - | 49 | - | 47 | - | 45 | 44 | 43 | 42 | 41 | - | - | 38 | 37 | 36 | - | - | - | | | | | | | |
| | | | | | | | | | | | | | | | - | - | - | - | - | - | - | - | - | 23 | 22 | 21 | 20 | 19 | 18 | - | | | | | | | |
| | | | | | | | | | | | - | 15 | 14 | 13 | 12 | 11 | - | 9 | - | 7 | 6 | 5 | 4 | 3 | - | - | | | | | | | | | | | |

| ASSEMBLY DESCRIPTION | ASSEMBLY PART NUMBER | CONNECTOR HOUSING | GROMMET CAP | TPA | RIGHT SLIDE | LEFT SLIDE | MATE ASSIST LEVER | CPA | MAT SEAL | RING SEAL | BLOCKED TERMINALS | | | | | | | | | | | | | | | | | | STATUS | COMMENTS | INTEGRAL COMPONENTS SOLD SEPARATELY | | | |
|--|----------------------|-------------------|-------------|--------|-------------|------------|-------------------|-----|----------|-----------|--|----|----|----|----|----|----|----|----|----|----|----|----|----|----|----|----|----|--------|----------|-------------------------------------|----------|-----------|-----------|
| | | | | | | | | | | | CAVITY WITH A NUMBER INDICATES BLOCKED TERMINAL POSITION | | | | | | | | | | | | | | | | | | | | DRESS COVER | | | |
| | | | | | | | | | | | CAVITY WITHOUT A NUMBER INDICATES OPEN TERMINAL POSITION | | | | | | | | | | | | | | | | | | | | | | | |
| MX123 CONN ASSY 73 CKT GRY OPT0 KEY B/55 | 345665803 | C-HSG-B0 | G-CAP-0-P | TPA-B0 | RS | LS | MAL | CPA | MSEAL | RSEAL | 72 | 71 | 70 | 69 | 68 | 67 | 66 | 65 | 64 | 63 | 62 | 61 | 60 | 59 | 58 | 57 | 56 | 55 | 54 | 53 | SALEABLE | | 345650003 | |
| | | | | | | | | | | | 52 | 51 | 50 | - | - | - | 46 | 45 | 44 | 43 | 42 | 41 | 40 | - | 38 | - | 36 | - | 34 | - | | | | |
| | | | | | | | | | | | | | | | 32 | 31 | 30 | - | 28 | 27 | 26 | 25 | 24 | - | 22 | - | 20 | 19 | 18 | - | | | | |
| MX123 CONN ASSY 73 CKT GRY OPT0 KEY B/38 | 345665813 | C-HSG-B0 | G-CAP-0-P | TPA-B0 | RS | LS | MAL | CPA | MSEAL | RSEAL | - | 71 | - | 69 | - | 67 | - | 65 | 64 | 63 | 62 | 61 | - | - | 58 | 57 | 56 | - | - | - | SALEABLE | | 345650003 | |
| | | | | | | | | | | | - | 51 | - | 49 | - | 47 | - | 45 | 44 | 43 | 42 | 41 | - | - | 38 | 37 | 36 | - | - | - | | | | |
| | | | | | | | | | | | | | | | - | - | - | - | - | - | - | - | - | - | 22 | 21 | 20 | - | - | - | | | | |
| MX123 CONN ASSY 73 CKT BLK OPT0 KEY A/21 | 345665823 | C-HSG-A0 | G-CAP-0-P | TPA-A0 | RS | LS | MAL | CPA | MSEAL | RSEAL | - | 71 | - | 69 | 68 | 67 | 66 | 65 | 64 | - | 62 | 61 | 60 | 59 | 58 | 57 | 56 | 55 | 54 | 53 | SALEABLE | | 345650003 | |
| | | | | | | | | | | | - | 51 | 50 | - | 48 | 47 | 46 | 45 | 44 | - | 42 | - | 40 | 39 | 38 | 37 | 36 | 35 | 34 | 33 | | | | |
| | | | | | | | | | | | | | | | 32 | - | - | 29 | - | - | - | 25 | 24 | - | 22 | 21 | - | - | 18 | 17 | | | | |
| MX123 CONN ASSY 73 CKT BLK OPT0 KEY A/22 | 345665833 | C-HSG-A0 | G-CAP-0-P | TPA-A0 | RS | LS | MAL | CPA | MSEAL | RSEAL | - | 71 | - | 69 | 68 | 67 | 66 | 65 | 64 | - | 62 | 61 | 60 | 59 | 58 | 57 | 56 | 55 | 54 | 53 | SALEABLE | | 345650003 | |
| | | | | | | | | | | | - | 51 | 50 | - | 48 | 47 | 46 | 45 | 44 | - | 42 | - | 40 | 39 | 38 | 37 | 36 | 35 | 34 | 33 | | | | |
| | | | | | | | | | | | | | | | 32 | - | - | 29 | - | - | - | 25 | 24 | - | 22 | 21 | - | - | 18 | 17 | | | | |
| MX123 CONN ASSY 73 CKT BLU OPT0 KEY C/36 | 345665863 | C-HSG-C0 | G-CAP-0-P | TPA-C0 | RS | LS | MAL | CPA | MSEAL | RSEAL | - | 71 | - | 69 | 68 | 67 | - | 65 | 64 | - | - | 61 | 60 | - | 58 | - | - | - | 54 | - | SALEABLE | | 345650003 | |
| | | | | | | | | | | | - | - | 50 | 49 | 48 | 47 | - | 45 | - | 43 | - | 41 | - | - | 38 | - | - | 35 | - | - | | | | |
| | | | | | | | | | | | | | | | - | 31 | - | 29 | 28 | 27 | - | - | 24 | 23 | - | - | 20 | - | - | 17 | | | | |
| MX123 CONN ASSY 73 CKT GRY OPT0 KEY B/20 | 345665873 | C-HSG-B0 | G-CAP-0-P | TPA-B0 | RS | LS | MAL | CPA | MSEAL | RSEAL | - | 71 | 70 | 69 | 68 | 67 | 66 | 65 | 64 | 63 | - | - | 60 | 59 | 58 | 57 | 56 | 55 | 54 | 53 | SALEABLE | | 345650003 | |
| | | | | | | | | | | | - | 51 | 50 | 49 | - | - | - | 45 | - | - | 42 | - | - | 39 | 38 | 37 | 36 | 35 | 34 | 33 | | | | |
| | | | | | | | | | | | | | | | 32 | 31 | - | 29 | 28 | 27 | 26 | 25 | 24 | 23 | 22 | 21 | - | - | - | 17 | | | | |
| MX123 CONN ASSY 73 CKT GRY OPT0 KEY B/19 | 345665883 | C-HSG-B0 | G-CAP-0-P | TPA-B0 | RS | LS | MAL | CPA | MSEAL | RSEAL | - | 71 | 70 | 69 | 68 | 67 | 66 | 65 | 64 | 63 | - | - | 60 | 59 | 58 | 57 | 56 | 55 | 54 | 53 | SALEABLE | | 345650003 | |
| | | | | | | | | | | | - | 51 | 50 | 49 | - | - | - | 45 | 44 | - | 42 | - | - | 39 | 38 | 37 | 36 | 35 | 34 | 33 | | | | |
| | | | | | | | | | | | | | | | 32 | 31 | - | 29 | 28 | 27 | 26 | 25 | 24 | 23 | 22 | 21 | - | - | - | 17 | | | | |
| MX123 CONN ASSY 73 CKT BLU OPT0 KEY C/35 | 345665893 | C-HSG-C0 | G-CAP-0-P | TPA-C0 | RS | LS | MAL | CPA | MSEAL | RSEAL | 72 | 71 | 70 | - | 68 | - | - | 65 | 64 | 63 | - | 61 | - | 59 | 58 | - | 56 | - | - | - | 53 | SALEABLE | | 345650003 |
| | | | | | | | | | | | - | - | - | 49 | - | 47 | - | - | - | 43 | - | 41 | 40 | 39 | 38 | - | 36 | - | - | - | | | | |
| | | | | | | | | | | | | | | | - | 31 | 30 | 29 | - | - | - | 25 | 24 | 23 | 22 | 21 | 20 | - | - | 17 | | | | |
| MX123 CONN ASSY 73 CKT BLK OPT0 KEY A/40 | 345665903 | C-HSG-A0 | G-CAP-0-P | TPA-A0 | RS | LS | MAL | CPA | MSEAL | RSEAL | - | - | 70 | - | - | - | - | 65 | - | - | - | 61 | 60 | - | 58 | 57 | 56 | 55 | 54 | - | SALEABLE | | 345650003 | |
| | | | | | | | | | | | 52 | 51 | 50 | 49 | - | 47 | 46 | 45 | - | - | - | 41 | 40 | - | 38 | 37 | 36 | - | 34 | - | | | | |
| | | | | | | | | | | | | | | | - | 31 | 30 | - | 28 | - | 26 | 25 | 24 | - | 22 | 21 | 20 | 19 | 18 | - | | | | |
| MX123 CONN ASSY 73 CKT BLU OPT0 KEY C/34 | 345665913 | C-HSG-C0 | G-CAP-0-P | TPA-C0 | RS | LS | MAL | CPA | MSEAL | RSEAL | 72 | 71 | 70 | - | 68 | - | - | 65 | - | 63 | 62 | - | - | 59 | 58 | - | 56 | 55 | - | 53 | SALEABLE | | 345650003 | |
| | | | | | | | | | | | - | - | - | - | - | 47 | - | - | - | 43 | 42 | - | 40 | 39 | 38 | - | 36 | 35 | - | - | | | | |
| | | | | | | | | | | | | | | | - | 31 | 30 | 29 | - | - | 26 | - | 24 | 23 | 22 | 21 | 20 | 19 | - | 17 | | | | |
| MX123 CONN ASSY 73 CKT BLU OPT0 KEY C/38 | 345665933 | C-HSG-C0 | G-CAP-0-P | TPA-C0 | RS | LS | MAL | CPA | MSEAL | RSEAL | - | 71 | - | 69 | - | 67 | - | 65 | 64 | - | - | 61 | 60 | - | 58 | - | - | - | 54 | - | SALEABLE | | 345650003 | |
| | | | | | | | | | | | - | - | 50 | 49 | - | - | - | 45 | - | 43 | - | 41 | - | - | 38 | 37 | 36 | 35 | - | - | | | | |
| | | | | | | | | | | | | | | | - | 31 | - | 29 | 28 | 27 | - | - | 24 | - | - | - | 20 | 19 | 18 | 17 | | | | |
| MX123 CONN ASSY 73 CKT BLU OPT0 KEY C/41 | 345665943 | C-HSG-C0 | G-CAP-0-P | TPA-C0 | RS | LS | MAL | CPA | MSEAL | RSEAL | - | 71 | - | 69 | - | - | - | 65 | 64 | - | - | 61 | 60 | - | 58 | - | - | - | 54 | - | SALEABLE | | 345650003 | |
| | | | | | | | | | | | - | - | 50 | - | - | - | - | 45 | - | 43 | - | 41 | - | - | 38 | 37 | 36 | 35 | - | - | | | | |
| | | | | | | | | | | | | | | | - | 31 | - | 29 | 28 | - | - | - | 24 | 23 | - | - | - | 19 | 18 | 17 | | | | |

| ASSEMBLY DESCRIPTION | ASSEMBLY PART NUMBER | CONNECTOR HOUSING | GROMMET CAP | TPA | RIGHT SLIDE | LEFT SLIDE | MATE ASSIST LEVER | CPA | MAT SEAL | RING SEAL | BLOCKED TERMINALS | | | | | | | | | | | | | | | | | | | | STATUS | COMMENTS | INTEGRAL COMPONENTS SOLD SEPARATELY |
|--|----------------------|-------------------|-------------|--------|-------------|------------|-------------------|-----|----------|-----------|--|----|----|----|----|----|----|----|----|----|----|----|----|----|----|----|----|----|----|----------|----------|-----------|-------------------------------------|
| | | | | | | | | | | | CAVITY WITH A NUMBER INDICATES BLOCKED TERMINAL POSITION | | | | | | | | | | | | | | | | | | | | | | DRESS COVER |
| | | | | | | | | | | | CAVITY WITHOUT A NUMBER INDICATES OPEN TERMINAL POSITION | | | | | | | | | | | | | | | | | | | | | | |
| MX123 CONN ASSY 73 CKT BLU OPT0 KEY C/35 | 345666073 | C-HSG-C0 | G-CAP-0-P | TPA-C0 | RS | LS | MAL | CPA | MSEAL | RSEAL | 72 | 71 | 70 | - | 68 | - | - | 65 | - | 63 | 62 | - | - | 59 | 58 | - | 56 | 55 | - | 53 | SALEABLE | | 345650003 |
| | | | | | | | | | | | - | - | - | - | - | 47 | - | - | - | 43 | 42 | - | 40 | 39 | 38 | - | 36 | 35 | - | - | | | |
| | | | | | | | | | | | - | - | - | - | - | 31 | 30 | 29 | - | - | 26 | - | 24 | 23 | 22 | 21 | 20 | 19 | - | - | | | |
| | | | | | | | | | | | - | - | - | - | - | - | - | - | - | - | - | - | 8 | 7 | 6 | 5 | 4 | 3 | 2 | 1 | | | |
| MX123 CONN ASSY 73 CKT BLU OPT0 KEY C/38 | 345666083 | C-HSG-C0 | G-CAP-0-P | TPA-C0 | RS | LS | MAL | CPA | MSEAL | RSEAL | - | 71 | - | 69 | - | - | - | 65 | 64 | - | - | 61 | 60 | - | 58 | - | 56 | 55 | 54 | - | SALEABLE | | 345650003 |
| | | | | | | | | | | | - | - | 50 | 49 | - | - | - | 45 | - | 43 | - | 41 | - | - | 38 | - | - | 35 | - | - | | | |
| | | | | | | | | | | | - | - | - | - | - | 31 | - | 29 | 28 | 27 | - | - | 24 | 23 | - | - | 20 | 19 | 18 | 17 | | | |
| | | | | | | | | | | | - | - | - | - | 16 | - | - | 13 | 12 | 11 | - | - | 8 | 7 | - | - | - | 3 | - | 1 | | | |
| MX123 CONN ASSY 73 CKT GRY OPT0 KEY B/22 | 345666093 | C-HSG-B0 | G-CAP-0-P | TPA-B0 | RS | LS | MAL | CPA | MSEAL | RSEAL | - | 71 | - | 69 | 68 | - | 66 | 65 | 64 | - | - | - | - | 58 | 57 | 56 | 55 | 54 | 53 | SALEABLE | | 345650003 | |
| | | | | | | | | | | | - | 51 | 50 | 49 | 48 | 47 | - | 45 | 44 | - | 42 | - | - | 39 | 38 | 37 | 36 | 35 | 34 | 33 | | | |
| | | | | | | | | | | | - | - | - | - | 32 | 31 | 30 | 29 | 28 | - | 26 | 25 | 24 | 23 | 22 | 21 | - | - | - | 17 | | | |
| | | | | | | | | | | | - | - | - | - | - | 15 | - | 13 | 12 | - | 10 | 9 | 8 | 7 | 6 | 5 | - | 3 | 2 | 1 | | | |
| MX123 CONN ASSY 73 CKT GRY OPT0 KEY B/51 | 345666103 | C-HSG-B0 | G-CAP-0-P | TPA-B0 | RS | LS | MAL | CPA | MSEAL | RSEAL | 72 | 71 | 70 | 69 | 68 | - | - | - | 64 | 63 | - | 61 | 60 | - | 58 | - | 56 | - | 54 | - | SALEABLE | | 345650003 |
| | | | | | | | | | | | 52 | 51 | 50 | - | - | - | 46 | 45 | 44 | 43 | - | 41 | 40 | - | 38 | - | 36 | - | 34 | - | | | |
| | | | | | | | | | | | - | - | - | - | 32 | 31 | 30 | - | 28 | 27 | - | 25 | 24 | - | 22 | - | 20 | 19 | 18 | 17 | | | |
| | | | | | | | | | | | - | - | - | - | 16 | 15 | 14 | 13 | 12 | 11 | 10 | - | 8 | - | 6 | 5 | 4 | 3 | 2 | 1 | | | |
| MX123 CONN ASSY 73 CKT BLK OPT0 KEY A/66 | 345666113 | C-HSG-A0 | G-CAP-0-P | TPA-A0 | RS | LS | MAL | CPA | MSEAL | RSEAL | - | - | - | - | - | 67 | - | - | - | - | - | - | - | 59 | - | - | - | - | - | SALEABLE | | 345650003 | |
| | | | | | | | | | | | - | - | - | - | - | 47 | - | - | - | - | - | - | - | - | - | - | - | 35 | - | - | | | |
| | | | | | | | | | | | - | - | - | - | - | - | - | - | - | - | - | - | - | 24 | - | - | - | - | - | 17 | | | |
| | | | | | | | | | | | - | - | - | - | - | - | - | - | - | - | - | - | - | - | - | - | - | - | - | 1 | | | |
| MX123 CONN ASSY 73 CKT BLU OPT0 KEY C/33 | 345666123 | C-HSG-C0 | G-CAP-0-P | TPA-C0 | RS | LS | MAL | CPA | MSEAL | RSEAL | 72 | 71 | 70 | - | 68 | - | - | 65 | - | 63 | - | 61 | - | 59 | 58 | - | 56 | 55 | - | 53 | SALEABLE | | 345650003 |
| | | | | | | | | | | | - | - | - | 49 | - | 47 | - | - | - | 43 | - | 41 | 40 | 39 | 38 | - | 36 | 35 | - | - | | | |
| | | | | | | | | | | | - | - | - | - | 32 | 31 | 30 | 29 | - | - | 25 | 24 | 23 | 22 | 21 | 20 | 19 | 18 | 17 | | | | |
| | | | | | | | | | | | - | - | - | - | - | - | - | - | - | - | - | - | - | - | 6 | 5 | 4 | 3 | 2 | 1 | | | |
| MX123 CONN ASSY 73 CKT BLU OPT9 KEY C/38 | 345666133 | C-HSG-C9 | G-CAP-9-P | TPA-C9 | RS | LS | MAL | CPA | MSEAL | RSEAL | - | 71 | - | 69 | - | - | 66 | 65 | 64 | - | - | 61 | 60 | - | 58 | - | 56 | 55 | 54 | - | SALEABLE | | 345650003 |
| | | | | | | | | | | | - | - | 50 | 49 | - | - | 46 | 45 | - | 43 | - | 41 | - | - | - | - | 35 | - | - | | | | |
| | | | | | | | | | | | - | - | - | - | - | 31 | - | 29 | 28 | 27 | - | - | - | 23 | - | - | 20 | 19 | 18 | 17 | | | |
| | | | | | | | | | | | - | - | - | - | 16 | - | - | 13 | 12 | 11 | 10 | - | - | 7 | - | - | - | 3 | - | 1 | | | |
| MX123 CONN ASSY 73 CKT GRY OPT9 KEY B/33 | 345666173 | C-HSG-B9 | G-CAP-9-P | TPA-B9 | RS | LS | MAL | CPA | MSEAL | RSEAL | 72 | 71 | 70 | 69 | 68 | - | - | 65 | 64 | 63 | 62 | 61 | 60 | 59 | 58 | 57 | 56 | 55 | 54 | 53 | SALEABLE | | 345650003 |
| | | | | | | | | | | | 52 | 51 | 50 | 49 | - | - | 46 | 45 | 44 | 43 | 42 | - | 40 | 39 | 38 | 37 | 36 | 35 | 34 | 33 | | | |
| | | | | | | | | | | | - | - | - | - | - | - | - | - | 28 | - | - | - | - | 23 | - | - | 20 | - | - | - | | | |
| | | | | | | | | | | | - | - | - | - | - | - | - | - | 12 | - | - | - | - | - | - | - | - | - | 2 | - | | | |
| MX123 CONN ASSY 73 CKT BLK OPT9 KEY A/32 | 345666183 | C-HSG-A9 | G-CAP-9-P | TPA-A9 | RS | LS | MAL | CPA | MSEAL | RSEAL | 72 | 71 | 70 | 69 | 68 | 67 | - | 65 | 64 | 63 | 62 | 61 | 60 | 59 | 58 | 57 | 56 | 55 | 54 | 53 | SALEABLE | | 345650003 |
| | | | | | | | | | | | 52 | 51 | 50 | 49 | - | - | 46 | 45 | 44 | 43 | 42 | - | 40 | 39 | 38 | 37 | 36 | 35 | 34 | 33 | | | |
| | | | | | | | | | | | - | - | - | - | - | - | - | - | 28 | - | - | - | - | 23 | - | - | 20 | - | - | - | | | |
| | | | | | | | | | | | - | - | - | - | - | - | - | - | 12 | - | - | - | - | - | - | - | - | - | 2 | - | | | |
| MX123 CONN ASSY 73 CKT GRY OPT9 KEY B/57 | 345666193 | C-HSG-B9 | G-CAP-9-P | TPA-B9 | RS | LS | MAL | CPA | MSEAL | RSEAL | - | - | - | - | - | - | - | - | - | 63 | - | - | - | - | - | - | - | - | - | 53 | SALEABLE | | 345650003 |
| | | | | | | | | | | | - | - | - | - | 48 | 47 | - | 45 | - | 43 | 42 | - | - | 39 | - | - | - | 35 | 34 | 33 | | | |
| | | | | | | | | | | | - | - | - | - | - | - | - | - | - | - | - | - | - | 23 | 22 | - | - | 19 | - | - | | | |
| | | | | | | | | | | | - | - | - | - | - | - | - | - | 11 | - | - | - | - | - | - | - | - | - | - | 1 | | | |
| MX123 CONN ASSY 73 CKT BLK OPT0 KEY A/33 | 345666203 | C-HSG-A0 | G-CAP-0-P | TPA-A0 | RS | LS | MAL | CPA | MSEAL | RSEAL | 72 | - | - | - | - | 67 | 66 | - | - | - | 62 | - | 60 | - | 58 | - | - | 55 | 54 | 53 | SALEABLE | | 345650003 |
| | | | | | | | | | | | - | - | - | - | 48 | - | 46 | 45 | 44 | 43 | 42 | - | 40 | 39 | - | - | - | 35 | - | - | | | |
| | | | | | | | | | | | - | - | - | - | - | - | - | - | - | 26 | 25 | - | - | 22 | 21 | - | - | - | 17 | | | | |
| | | | | | | | | | | | - | - | - | - | 15 | 14 | - | - | - | - | - | - | 8 | 7 | 6 | 5 | 4 | 3 | 2 | - | | | |
| MX123 CONN ASSY 73 CKT BLK OPT9 KEY A/33 | 345666213 | C-HSG-A9 | G-CAP-9-P | TPA-A9 | RS | LS | MAL | CPA | MSEAL | RSEAL | 72 | 71 | 70 | 69 | 68 | - | - | 65 | 64 | 63 | 62 | 61 | 60 | 59 | 58 | 57 | 56 | 55 | 54 | 53 | SALEABLE | | 345650003 |
| | | | | | | | | | | | 52 | 51 | 50 | 49 | - | - | 46 | 45 | 44 | 43 | 42 | - | 40 | 39 | 38 | 37 | 36 | 35 | 34 | 33 | | | |
| | | | | | | | | | | | - | - | - | - | - | - | - | - | 28 | - | - | - | - | 23 | - | - | 20 | - | - | - | | | |
| | | | | | | | | | | | - | - | - | - | - | - | - | - | 12 | - | - | - | - | - | - | - | - | - | 2 | - | | | |

| ASSEMBLY DESCRIPTION | ASSEMBLY PART NUMBER | CONNECTOR HOUSING | GROMMET CAP | TPA | RIGHT SLIDE | LEFT SLIDE | MATE ASSIST LEVER | CPA | MAT SEAL | RING SEAL | BLOCKED TERMINALS | | | | | | | | | | | | | | | | | | STATUS | COMMENTS | INTEGRAL COMPONENTS SOLD SEPARATELY | | | | | | |
|--|----------------------|-------------------|-------------|--------|-------------|------------|-------------------|-----|----------|-----------|--|----|----|----|----|----|----|----|----|----|----|----|----|----|----|----|----|----|--------|----------|-------------------------------------|----|----|----|----|----|----|
| | | | | | | | | | | | CAVITY WITH A NUMBER INDICATES BLOCKED TERMINAL POSITION | | | | | | | | | | | | | | | | | | | | DRESS COVER | | | | | | |
| | | | | | | | | | | | CAVITY WITHOUT A NUMBER INDICATES OPEN TERMINAL POSITION | | | | | | | | | | | | | | | | | | | | | | | | | | |
| MX123 CONN ASSY 73 CKT BLU OPT9 KEY C/36 | 345666223 | C-HSG-C9 | G-CAP-9-P | TPA-C9 | RS | LS | MAL | CPA | MSEAL | RSEAL | - | 71 | - | 69 | - | 67 | - | 65 | 64 | - | - | 61 | 60 | - | 58 | - | 56 | 55 | 54 | - | | | | | | | |
| | | | | | | | | | | | - | - | 50 | 49 | - | - | - | 45 | - | 43 | 42 | 41 | - | - | 38 | 37 | 36 | 35 | - | - | | | | | | | |
| | | | | | | | | | | | | | | | | | | | | | | - | 31 | - | 29 | 28 | - | - | - | 24 | 23 | - | - | - | 19 | 18 | 17 |
| | | | | | | | | | | | | | | | | | | | | | | 16 | - | - | - | 12 | 11 | - | - | 8 | 7 | - | - | - | 3 | 2 | 1 |
| MX123 CONN ASSY 73 CKT GRY OPT9 KEY B/34 | 345666233 | C-HSG-B9 | G-CAP-9-P | TPA-B9 | RS | LS | MAL | CPA | MSEAL | RSEAL | - | 71 | - | 69 | - | 67 | - | 65 | 64 | 63 | 62 | 61 | - | - | 58 | 57 | 56 | - | - | - | | | | | | | |
| | | | | | | | | | | | - | 51 | - | 49 | - | 47 | - | 45 | 44 | 43 | 42 | 41 | - | - | 38 | 37 | 36 | - | - | - | | | | | | | |
| | | | | | | | | | | | | | | | | | | | | | | - | - | - | - | - | - | - | - | 23 | 22 | 21 | 20 | 19 | 18 | - | |
| | | | | | | | | | | | | | | | | | | | | | | - | 15 | 14 | 13 | 12 | 11 | - | 9 | - | 7 | 6 | 5 | 4 | 3 | - | - |
| MX123 CONN ASSY 73 CKT BLK OPT9 KEY A/39 | 345666243 | C-HSG-A9 | G-CAP-9-P | TPA-A9 | RS | LS | MAL | CPA | MSEAL | RSEAL | 72 | - | - | - | 68 | 67 | 66 | 65 | - | - | 62 | 61 | - | - | - | - | - | - | - | | | | | | | | |
| | | | | | | | | | | | - | - | - | - | 48 | 47 | 46 | - | - | - | - | - | 40 | - | 38 | - | - | 35 | - | 33 | | | | | | | |
| | | | | | | | | | | | | | | | | | | | | | | - | 31 | - | 29 | - | 27 | - | 25 | 24 | 23 | 22 | 21 | 20 | - | - | 17 |
| | | | | | | | | | | | | | | | | | | | | | | - | - | - | 13 | - | 11 | - | 9 | 8 | 7 | 6 | 5 | 4 | - | 2 | 1 |
| MX123 CONN ASSY 73 CKT BLU OPT9 KEY C/43 | 345666253 | C-HSG-C9 | G-CAP-9-P | TPA-C9 | RS | LS | MAL | CPA | MSEAL | RSEAL | - | 71 | - | 69 | - | - | - | 65 | 64 | - | - | 61 | 60 | - | 58 | - | 56 | 55 | 54 | - | | | | | | | |
| | | | | | | | | | | | - | - | 50 | - | - | - | - | 45 | - | 43 | 42 | 41 | - | - | 38 | - | - | 35 | - | - | | | | | | | |
| | | | | | | | | | | | | | | | | | | | | | | - | 31 | - | 29 | 28 | - | - | - | 23 | - | - | - | 19 | 18 | 17 | |
| | | | | | | | | | | | | | | | | | | | | | | 16 | - | - | - | 12 | 11 | - | - | 7 | - | - | - | 3 | - | 1 | |
| MX123 CONN ASSY 73 CKT GRY OPT9 KEY B/53 | 345666263 | C-HSG-B9 | G-CAP-9-P | TPA-B9 | RS | LS | MAL | CPA | MSEAL | RSEAL | - | - | - | 69 | - | - | - | 65 | 64 | 63 | - | - | - | - | - | - | - | - | | | | | | | | | |
| | | | | | | | | | | | - | - | - | 49 | - | - | - | 45 | 44 | 43 | - | - | - | - | - | - | - | - | - | - | | | | | | | |
| | | | | | | | | | | | | | | | | | | | | | | - | - | - | - | - | - | - | - | 23 | 22 | 21 | 20 | 19 | - | - | |
| | | | | | | | | | | | | | | | | | | | | | | - | - | - | - | 12 | 11 | - | 9 | - | 7 | 6 | 5 | 4 | - | - | - |
| MX123 CONN ASSY 73 CKT GRY OPT9 KEY B/48 | 345666273 | C-HSG-B9 | G-CAP-9-P | TPA-B9 | RS | LS | MAL | CPA | MSEAL | RSEAL | 72 | - | - | - | 68 | 67 | 66 | - | - | - | - | - | 59 | - | - | - | - | - | | | | | | | | | |
| | | | | | | | | | | | - | - | - | - | 48 | 47 | 46 | - | - | - | - | 40 | - | 38 | - | - | 35 | - | 33 | | | | | | | | |
| | | | | | | | | | | | | | | | | | | | | | | - | 31 | - | - | - | - | 25 | - | 23 | 22 | 21 | 20 | - | - | 17 | |
| | | | | | | | | | | | | | | | | | | | | | | - | - | - | - | - | - | 9 | 8 | 7 | 6 | 5 | 4 | - | 2 | 1 | |
| MX123 CONN ASSY 73 CKT BLU OPT9 KEY C/35 | 345666283 | C-HSG-C9 | G-CAP-9-P | TPA-C9 | RS | LS | MAL | CPA | MSEAL | RSEAL | - | 71 | - | 69 | - | - | - | 65 | 64 | - | - | 61 | 60 | - | 58 | - | 56 | 55 | 54 | - | | | | | | | |
| | | | | | | | | | | | - | - | 50 | 49 | - | - | - | 45 | - | 43 | 42 | 41 | - | - | 38 | 37 | 36 | 35 | - | - | | | | | | | |
| | | | | | | | | | | | | | | | | | | | | | | - | 31 | - | 29 | 28 | - | - | - | 24 | 23 | - | - | 20 | 19 | 18 | 17 |
| | | | | | | | | | | | | | | | | | | | | | | 16 | - | - | 13 | 12 | 11 | - | - | 8 | 7 | - | - | - | 3 | 2 | 1 |
| MX123 CONN ASSY 73 CKT GRY OPT9 KEY B/51 | 345666293 | C-HSG-B9 | G-CAP-9-P | TPA-B9 | RS | LS | MAL | CPA | MSEAL | RSEAL | - | - | - | 69 | - | - | - | 65 | 64 | 63 | - | - | - | - | - | - | - | - | | | | | | | | | |
| | | | | | | | | | | | - | - | - | 49 | - | - | - | 45 | 44 | 43 | - | - | - | - | - | - | - | - | - | - | | | | | | | |
| | | | | | | | | | | | | | | | | | | | | | | - | - | - | - | - | - | - | - | 23 | 22 | 21 | 20 | 19 | 18 | - | |
| | | | | | | | | | | | | | | | | | | | | | | - | - | - | - | 12 | 11 | - | 9 | - | 7 | 6 | 5 | 4 | 3 | - | - |
| MX123 CONN ASSY 73 CKT BLK OPT0 KEY A/32 | 345666303 | C-HSG-A0 | G-CAP-0-P | TPA-A0 | RS | LS | MAL | CPA | MSEAL | RSEAL | 72 | - | - | - | 67 | 66 | - | - | - | 62 | - | 60 | - | 58 | - | - | 55 | 54 | 53 | | | | | | | | |
| | | | | | | | | | | | - | - | - | - | 48 | - | 46 | 45 | 44 | 43 | 42 | - | 40 | 39 | - | - | - | 35 | - | - | | | | | | | |
| | | | | | | | | | | | | | | | | | | | | | | - | - | - | - | - | 26 | 25 | - | - | 22 | 21 | - | - | - | 17 | |
| | | | | | | | | | | | | | | | | | | | | | | - | 15 | 14 | - | - | - | - | - | 8 | 7 | 6 | 5 | 4 | 3 | - | - |
| MX123 CONN ASSY 73 CKT GRY OPT9 KEY B/40 | 345666313 | C-HSG-B9 | G-CAP-9-P | TPA-B9 | RS | LS | MAL | CPA | MSEAL | RSEAL | 72 | 71 | - | - | 68 | 67 | 66 | 65 | 64 | - | - | - | - | 59 | - | - | - | - | - | | | | | | | | |
| | | | | | | | | | | | - | - | - | - | 48 | 47 | 46 | 45 | - | - | - | - | 40 | - | 38 | - | - | 35 | - | 33 | | | | | | | |
| | | | | | | | | | | | | | | | | | | | | | | - | 31 | 30 | - | - | - | 25 | 24 | 23 | 22 | 21 | 20 | - | - | 17 | |
| | | | | | | | | | | | | | | | | | | | | | | - | - | - | - | - | - | 9 | 8 | 7 | 6 | 5 | 4 | - | 2 | 1 | |
| MX123 CONN ASSY 73 CKT GRY OPT9 KEY B/39 | 345666323 | C-HSG-B9 | G-CAP-9-P | TPA-B9 | RS | LS | MAL | CPA | MSEAL | RSEAL | 72 | - | - | - | 68 | 67 | 66 | 65 | - | - | 62 | 61 | - | - | - | - | - | - | | | | | | | | | |
| | | | | | | | | | | | - | - | - | - | 48 | 47 | 46 | - | - | - | - | 40 | - | 38 | - | - | 35 | - | 33 | | | | | | | | |
| | | | | | | | | | | | | | | | | | | | | | | - | 31 | - | 29 | - | 27 | - | 25 | 24 | 23 | 22 | 21 | 20 | - | - | 17 |
| | | | | | | | | | | | | | | | | | | | | | | - | - | - | 13 | - | 11 | - | 9 | 8 | 7 | 6 | 5 | 4 | - | 2 | 1 |
| MX123 CONN ASSY 73 CKT BLU OPT9 KEY C/40 | 345666333 | C-HSG-C9 | G-CAP-9-P | TPA-C9 | RS | LS | MAL | CPA | MSEAL | RSEAL | - | 71 | - | 69 | - | - | - | 65 | 64 | - | - | 61 | 60 | - | 58 | - | - | - | 54 | - | | | | | | | |
| | | | | | | | | | | | - | - | 50 | 49 | - | - | - | 45 | - | 43 | 42 | 41 | - | - | 38 | 37 | 36 | 35 | - | - | | | | | | | |
| | | | | | | | | | | | | | | | | | | | | | | - | 31 | - | 29 | 28 | - | - | - | 24 | 23 | - | - | 20 | - | - | 17 |
| | | | | | | | | | | | | | | | | | | | | | | 16 | - | - | 13 | 12 | 11 | - | - | 8 | 7 | - | - | - | - | 2 | 1 |

| ASSEMBLY DESCRIPTION | ASSEMBLY PART NUMBER | CONNECTOR HOUSING | GROMMET CAP | TPA | RIGHT SLIDE | LEFT SLIDE | MATE ASSIST LEVER | CPA | MAT SEAL | RING SEAL | BLOCKED TERMINALS | | | | | | | | | | | | | | | | | | STATUS | COMMENTS | INTEGRAL COMPONENTS SOLD SEPARATELY |
|--|----------------------|-------------------|-------------|--------|-------------|------------|-------------------|-----|----------|-----------|--|----|----|----|----|----|----|----|----|----|----|----|----|----|----|----|----|----|--------|----------|-------------------------------------|
| | | | | | | | | | | | CAVITY WITH A NUMBER INDICATES BLOCKED TERMINAL POSITION CAVITY WITHOUT A NUMBER INDICATES OPEN TERMINAL POSITION | | | | | | | | | | | | | | | | | | | | DRESS COVER |
| | | | | | | | | | | | | | | | | | | | | | | | | | | | | | | | |
| MX123 CONN ASSY 73 CKT BLK OPT9 KEY A/44 | 345666343 | C-HSG-A9 | G-CAP-9-P | TPA-A9 | RS | LS | MAL | CPA | MSEAL | RSEAL | 72 | 71 | - | - | 68 | 67 | 66 | 65 | 64 | - | - | - | - | 59 | - | - | - | - | - | - | |
| | | | | | | | | | | | - | - | - | - | 48 | 47 | 46 | 45 | - | - | - | - | - | - | 38 | - | - | 35 | - | 33 | |
| | | | | | | | | | | | - | | | | | | | | | | | | | | | | | | | | |
| MX123 CONN ASSY 73 CKT BLU OPT9 KEY C/43 | 345666353 | C-HSG-C9 | G-CAP-9-P | TPA-C9 | RS | LS | MAL | CPA | MSEAL | RSEAL | - | 71 | - | 69 | - | 67 | - | 65 | 64 | - | - | 61 | 60 | - | - | - | - | 54 | - | | |
| | | | | | | | | | | | - | - | 50 | 49 | - | - | - | 45 | - | 43 | 42 | 41 | - | - | 38 | 37 | 36 | 35 | - | - | |
| | | | | | | | | | | | - | | | | | | | | | | | | | | | | | | | | |
| MX123 CONN ASSY 73 CKT GRY OPT9 KEY B/38 | 345666363 | C-HSG-B9 | G-CAP-9-P | TPA-B9 | RS | LS | MAL | CPA | MSEAL | RSEAL | - | 71 | - | 69 | - | 67 | - | 65 | 64 | 63 | 62 | 61 | - | - | 58 | 57 | 56 | - | - | - | |
| | | | | | | | | | | | - | 51 | - | 49 | - | 47 | - | 45 | 44 | 43 | 42 | 41 | - | - | 38 | 37 | 36 | - | - | - | |
| | | | | | | | | | | | - | | | | | | | | | | | | | | | | | | | | |
| MX123 CONN ASSY 73 CKT BLK OPT9 KEY A/50 | 345666373 | C-HSG-A9 | G-CAP-9-P | TPA-A9 | RS | LS | MAL | CPA | MSEAL | RSEAL | - | - | - | - | 68 | - | 66 | 65 | - | - | 62 | 61 | - | - | - | - | - | - | | | |
| | | | | | | | | | | | - | - | - | - | 48 | - | 46 | - | - | - | - | - | - | 38 | - | - | 35 | - | 33 | | |
| | | | | | | | | | | | - | | | | | | | | | | | | | | | | | | | | |
| MX123 CONN ASSY 73 CKT BLK OPT9 KEY A/52 | 345666383 | C-HSG-A9 | G-CAP-9-P | TPA-A9 | RS | LS | MAL | CPA | MSEAL | RSEAL | - | - | - | - | - | 67 | - | - | - | - | 62 | - | - | 59 | 58 | - | - | 55 | - | - | |
| | | | | | | | | | | | - | - | - | - | - | 47 | - | - | - | - | - | - | - | - | - | - | 35 | - | - | | |
| | | | | | | | | | | | - | | | | | | | | | | | | | | | | | | | | |
| MX123 CONN ASSY 73 CKT BLU OPT9 KEY C/47 | 345666393 | C-HSG-C9 | G-CAP-9-P | TPA-C9 | RS | LS | MAL | CPA | MSEAL | RSEAL | 72 | - | - | - | 68 | - | - | - | - | 63 | - | - | - | 59 | - | - | 56 | - | - | 53 | |
| | | | | | | | | | | | - | - | - | - | - | - | - | - | - | 43 | - | - | 40 | 39 | - | - | 36 | - | - | | |
| | | | | | | | | | | | - | | | | | | | | | | | | | | | | | | | | |
| MX123 CONN ASSY 73 CKT BLK OPT0 KEY A/34 | 345666403 | C-HSG-A0 | G-CAP-0-P | TPA-A0 | RS | LS | MAL | CPA | MSEAL | RSEAL | 72 | - | 70 | - | - | 67 | 66 | - | - | - | 62 | - | 60 | - | - | 57 | - | 55 | 54 | 53 | |
| | | | | | | | | | | | - | 51 | - | - | 48 | - | 46 | 45 | 44 | 43 | 42 | - | 40 | 39 | - | - | 35 | - | - | | |
| | | | | | | | | | | | - | | | | | | | | | | | | | | | | | | | | |
| MX123 CONN ASSY 73 CKT GRY OPT9 KEY B/35 | 345666413 | C-HSG-B9 | G-CAP-9-P | TPA-B9 | RS | LS | MAL | CPA | MSEAL | RSEAL | - | 71 | 70 | 69 | - | - | 66 | 65 | 64 | - | - | - | - | 58 | 57 | 56 | - | 54 | 53 | | |
| | | | | | | | | | | | - | 51 | 50 | 49 | - | - | - | 45 | - | - | 42 | - | - | 39 | - | - | - | 34 | 33 | | |
| | | | | | | | | | | | - | | | | | | | | | | | | | | | | | | | | |
| MX123 CONN ASSY 73 CKT BLU OPT9 KEY C/41 | 345666423 | C-HSG-C9 | G-CAP-9-P | TPA-C9 | RS | LS | MAL | CPA | MSEAL | RSEAL | - | - | - | - | 68 | - | - | - | - | 63 | 62 | 61 | 60 | 59 | 58 | 57 | - | 55 | - | 53 | |
| | | | | | | | | | | | - | - | - | - | 48 | - | - | - | - | 43 | 42 | 41 | 40 | - | - | 37 | 36 | 35 | - | 33 | |
| | | | | | | | | | | | - | | | | | | | | | | | | | | | | | | | | |
| MX123 CONN ASSY 73 CKT BLK OPT9 KEY A/36 | 345666433 | C-HSG-A9 | G-CAP-9-P | TPA-A9 | RS | LS | MAL | CPA | MSEAL | RSEAL | - | 71 | - | 69 | 68 | - | 66 | 65 | 64 | - | - | 62 | 61 | - | - | - | - | 54 | 53 | | |
| | | | | | | | | | | | - | - | 50 | 49 | - | - | - | 45 | 44 | - | - | 41 | - | - | - | - | - | 34 | 33 | | |
| | | | | | | | | | | | - | | | | | | | | | | | | | | | | | | | | |
| MX123 CONN ASSY 73 CKT GRY OPT9 KEY B/64 | 345666443 | C-HSG-B9 | G-CAP-9-P | TPA-B9 | RS | LS | MAL | CPA | MSEAL | RSEAL | - | - | - | - | - | - | - | - | - | - | 62 | - | - | 59 | 58 | - | - | - | 54 | 53 | |
| | | | | | | | | | | | - | - | - | - | - | - | - | - | - | - | 42 | - | - | 39 | - | - | - | - | - | | |
| | | | | | | | | | | | - | | | | | | | | | | | | | | | | | | | | |
| MX123 CONN ASSY 73 CKT BLU OPT0 KEY C/43 | 345666453 | C-HSG-C0 | G-CAP-0-P | TPA-C0 | RS | LS | MAL | CPA | MSEAL | RSEAL | 72 | - | - | - | 68 | - | 66 | - | - | 63 | - | - | - | 59 | 58 | - | 56 | 55 | - | 53 | |
| | | | | | | | | | | | - | - | - | - | - | - | - | - | - | 43 | - | - | 40 | 39 | 38 | - | 36 | 35 | - | - | |
| | | | | | | | | | | | - | | | | | | | | | | | | | | | | | | | | |

| ASSEMBLY DESCRIPTION | ASSEMBLY PART NUMBER | CONNECTOR HOUSING | GROMMET CAP | TPA | RIGHT SLIDE | LEFT SLIDE | MATE ASSIST LEVER | CPA | MAT SEAL | RING SEAL | BLOCKED TERMINALS | | | | | | | | | | | | | | | | | | | | STATUS | COMMENTS | INTEGRAL COMPONENTS SOLD SEPARATELY |
|--|----------------------|-------------------|-------------|--------|-------------|------------|-------------------|-----|----------|-----------|--|----|----|----|----|----|----|----|----|----|----|----|----|----|----|----|----|----|----|----|--------|----------|-------------------------------------|
| | | | | | | | | | | | CAVITY WITH A NUMBER INDICATES BLOCKED TERMINAL POSITION | | | | | | | | | | | | | | | | | | | | | | DRESS COVER |
| | | | | | | | | | | | CAVITY WITHOUT A NUMBER INDICATES OPEN TERMINAL POSITION | | | | | | | | | | | | | | | | | | | | | | |
| MX123 CONN ASSY 73 CKT GRY OPT0 KEY B/23 | 345666463 | C-HSG-B0 | G-CAP-0-P | TPA-B0 | RS | LS | MAL | CPA | MSEAL | RSEAL | - | 71 | 70 | 69 | - | - | 66 | 65 | 64 | 63 | - | - | 60 | 59 | 58 | 57 | 56 | - | 54 | 53 | | | |
| | | | | | | | | | | | - | 51 | 50 | 49 | - | - | - | 45 | 44 | - | 42 | 41 | - | 39 | 38 | 37 | 36 | 35 | 34 | 33 | | | |
| | | | | | | | | | | | | | | | 32 | 31 | - | 29 | 28 | 27 | 26 | 25 | 24 | 23 | 22 | 21 | - | - | - | 17 | | | |
| | | | | | | | | | | | | | | | - | - | - | 13 | 12 | 11 | 10 | 9 | - | 7 | 6 | 5 | - | 3 | - | 1 | | | |
| MX123 CONN ASSY 73 CKT BLU OPT9 KEY C/40 | 345666473 | C-HSG-C9 | G-CAP-9-P | TPA-C9 | RS | LS | MAL | CPA | MSEAL | RSEAL | 72 | 71 | - | - | 68 | - | - | 65 | - | 63 | - | 61 | - | 59 | 58 | - | 56 | - | - | 53 | | | |
| | | | | | | | | | | | - | - | - | 49 | - | 47 | - | - | - | 43 | - | 41 | 40 | 39 | 38 | - | 36 | - | - | - | | | |
| | | | | | | | | | | | | | | | - | 31 | 30 | 29 | - | - | - | 25 | 24 | 23 | 22 | 21 | 20 | - | - | - | | | |
| | | | | | | | | | | | | | | | - | - | - | - | - | - | - | - | - | - | 6 | 5 | 4 | 3 | 2 | 1 | | | |
| MX123 CONN ASSY 73 CKT BLK OPT9 KEY A/52 | 345666483 | C-HSG-A9 | G-CAP-9-P | TPA-A9 | RS | LS | MAL | CPA | MSEAL | RSEAL | - | - | - | - | - | 67 | - | - | - | - | 62 | - | - | 59 | 58 | - | - | 55 | - | - | | | |
| | | | | | | | | | | | - | - | - | - | - | 47 | - | - | - | - | 42 | 41 | - | - | - | - | 35 | - | - | | | | |
| | | | | | | | | | | | | | | | - | - | - | - | - | 27 | - | - | 24 | - | - | - | 19 | 18 | 17 | | | | |
| | | | | | | | | | | | | | | | 16 | - | - | - | - | 11 | 10 | - | 8 | - | - | - | 4 | 3 | - | 1 | | | |
| MX123 CONN ASSY 73 CKT GRY OPT9 KEY B/22 | 345666493 | C-HSG-B9 | G-CAP-9-P | TPA-B9 | RS | LS | MAL | CPA | MSEAL | RSEAL | - | 71 | - | 69 | 68 | 67 | 66 | 65 | 64 | 63 | - | - | 60 | 59 | 58 | 57 | 56 | - | 54 | 53 | | | |
| | | | | | | | | | | | - | 51 | 50 | 49 | - | - | - | 45 | 44 | - | 42 | - | - | 39 | 38 | 37 | 36 | 35 | 34 | 33 | | | |
| | | | | | | | | | | | | | | | 32 | 31 | - | 29 | 28 | 27 | 26 | 25 | 24 | 23 | 22 | 21 | - | - | - | 17 | | | |
| | | | | | | | | | | | | | | | - | - | - | 13 | 12 | 11 | 10 | 9 | 8 | 7 | 6 | 5 | - | 3 | - | 1 | | | |
| MX123 CONN ASSY 73 CKT BLK OPT0 KEY A/33 | 345666503 | C-HSG-A0 | G-CAP-0-P | TPA-A0 | RS | LS | MAL | CPA | MSEAL | RSEAL | 72 | - | 70 | - | - | 67 | 66 | - | - | - | 62 | - | 60 | - | - | 57 | - | 55 | 54 | 53 | | | |
| | | | | | | | | | | | - | 51 | - | - | 48 | - | 46 | 45 | 44 | 43 | 42 | - | 40 | 39 | - | - | - | 35 | - | - | | | |
| | | | | | | | | | | | | | | | - | - | - | - | - | - | 26 | 25 | - | - | 22 | 21 | - | - | - | - | | | |
| | | | | | | | | | | | | | | | - | 15 | 14 | - | - | - | - | - | 8 | 7 | 6 | 5 | 4 | 3 | - | - | | | |
| MX123 CONN ASSY 73 CKT GRY OPT0 KEY B/23 | 345666513 | C-HSG-B0 | G-CAP-0-P | TPA-B0 | RS | LS | MAL | CPA | MSEAL | RSEAL | - | 71 | 70 | 69 | - | - | 66 | 65 | 64 | 63 | - | - | 60 | 59 | 58 | 57 | 56 | - | - | 53 | | | |
| | | | | | | | | | | | - | 51 | 50 | 49 | 48 | 47 | - | 45 | 44 | - | 42 | 41 | - | 39 | 38 | 37 | 36 | 35 | 34 | 33 | | | |
| | | | | | | | | | | | | | | | 32 | 31 | 30 | 29 | 28 | 27 | 26 | 25 | 24 | 23 | 22 | 21 | - | - | - | - | | | |
| | | | | | | | | | | | | | | | - | - | - | 13 | 12 | 11 | 10 | 9 | - | 7 | 6 | 5 | - | - | - | 1 | | | |
| MX123 CONN ASSY 73 CKT GRY OPT0 KEY B/25 | 345666523 | C-HSG-B0 | G-CAP-0-P | TPA-B0 | RS | LS | MAL | CPA | MSEAL | RSEAL | 72 | 71 | 70 | 69 | - | - | 66 | 65 | - | 63 | 62 | 61 | 60 | - | - | 57 | 56 | 55 | - | 53 | | | |
| | | | | | | | | | | | 52 | 51 | 50 | 49 | 48 | 47 | - | - | 44 | 43 | 42 | 41 | 40 | - | - | 37 | 36 | 35 | 34 | 33 | | | |
| | | | | | | | | | | | | | | | - | 31 | - | - | - | - | 26 | 25 | 24 | - | - | 21 | 20 | 19 | 18 | - | | | |
| | | | | | | | | | | | | | | | 16 | - | 14 | - | 12 | - | - | 9 | 8 | 7 | - | 5 | 4 | 3 | 2 | - | | | |
| MX123 CONN ASSY 73 CKT GRY OPT9 KEY B/15 | 345666533 | C-HSG-B9 | G-CAP-9-P | TPA-B9 | RS | LS | MAL | CPA | MSEAL | RSEAL | 72 | 71 | 70 | 69 | - | - | 66 | 65 | - | 63 | 62 | 61 | 60 | 59 | 58 | 57 | 56 | 55 | 54 | 53 | | | |
| | | | | | | | | | | | 52 | 51 | 50 | 49 | 48 | 47 | - | - | 44 | 43 | 42 | 41 | 40 | 39 | 38 | 37 | 36 | 35 | 34 | 33 | | | |
| | | | | | | | | | | | | | | | - | 31 | - | - | - | - | 26 | 25 | 24 | 23 | 22 | 21 | 20 | 19 | 18 | - | | | |
| | | | | | | | | | | | | | | | 16 | 15 | 14 | 13 | 12 | 11 | - | 9 | 8 | - | 6 | 5 | 4 | 3 | 2 | - | | | |
| MX123 CONN ASSY 73 CKT BLK OPT9 KEY A/53 | 345666543 | C-HSG-A9 | G-CAP-9-P | TPA-A9 | RS | LS | MAL | CPA | MSEAL | RSEAL | - | - | - | - | - | 67 | - | - | - | - | 62 | - | - | 59 | 58 | - | - | 55 | - | - | | | |
| | | | | | | | | | | | - | - | - | - | - | 47 | - | - | - | - | 42 | 41 | - | - | - | - | 35 | - | - | | | | |
| | | | | | | | | | | | | | | | - | - | - | - | - | 27 | - | - | 24 | - | - | - | 19 | 18 | 17 | | | | |
| | | | | | | | | | | | | | | | 16 | - | - | - | - | 11 | 10 | - | 8 | - | - | - | 3 | - | 1 | | | | |
| MX123 CONN ASSY 73 CKT BLK OPT9 KEY A/46 | 345666553 | C-HSG-A9 | G-CAP-9-P | TPA-A9 | RS | LS | MAL | CPA | MSEAL | RSEAL | - | - | - | - | 68 | - | 66 | 65 | - | - | 62 | 61 | - | - | - | - | - | - | - | | | | |
| | | | | | | | | | | | - | - | - | - | 48 | - | 46 | - | - | - | - | - | - | 38 | - | - | 35 | - | 33 | | | | |
| | | | | | | | | | | | | | | | - | 31 | - | 29 | - | 27 | - | 25 | 24 | 23 | 22 | 21 | 20 | - | - | - | | | |
| | | | | | | | | | | | | | | | 16 | - | - | 13 | 12 | 11 | - | 9 | - | 7 | 6 | - | 4 | - | - | - | | | |
| MX123 CONN ASSY 73 CKT BLU OPT9 KEY C/41 | 345666563 | C-HSG-C9 | G-CAP-9-P | TPA-C9 | RS | LS | MAL | CPA | MSEAL | RSEAL | - | 71 | - | 69 | - | 67 | - | 65 | 64 | - | - | 61 | 60 | - | - | - | 56 | 55 | 54 | - | | | |
| | | | | | | | | | | | - | - | 50 | 49 | - | - | - | 45 | - | 43 | 42 | 41 | - | - | 38 | 37 | 36 | 35 | - | - | | | |
| | | | | | | | | | | | | | | | - | 31 | - | 29 | 28 | - | - | - | 24 | - | - | - | 19 | 18 | - | | | | |
| | | | | | | | | | | | | | | | 16 | - | - | - | 12 | 11 | - | 8 | - | - | - | 3 | 2 | - | | | | | |
| MX123 CONN ASSY 73 CKT BLK OPT9 KEY A/47 | 345666573 | C-HSG-A9 | G-CAP-9-P | TPA-A9 | RS | LS | MAL | CPA | MSEAL | RSEAL | - | - | - | - | 68 | - | 66 | 65 | - | - | 62 | 61 | - | - | - | - | - | - | - | | | | |
| | | | | | | | | | | | - | - | - | - | 48 | - | 46 | - | - | - | - | - | - | 38 | - | - | 35 | - | 33 | | | | |
| | | | | | | | | | | | | | | | - | 31 | - | 29 | - | 27 | - | 25 | 24 | - | 22 | - | 20 | - | - | 17 | | | |
| | | | | | | | | | | | | | | | - | - | - | 13 | - | 11 | - | 9 | - | 7 | 6 | - | 4 | - | 2 | 1 | | | |

| ASSEMBLY DESCRIPTION | ASSEMBLY PART NUMBER | CONNECTOR HOUSING | GROMMET CAP | TPA | RIGHT SLIDE | LEFT SLIDE | MATE ASSIST LEVER | CPA | MAT SEAL | RING SEAL | BLOCKED TERMINALS | | | | | | | | | | | | | | | | STATUS | COMMENTS | INTEGRAL COMPONENTS SOLD SEPARATELY | |
|---|----------------------|-------------------|-------------|--------|-------------|------------|-------------------|-----|----------|-----------|--|----|----|----|----|----|----|----|----|----|----|----|----|----|----|----|--------|----------|-------------------------------------|----|
| | | | | | | | | | | | CAVITY WITH A NUMBER INDICATES BLOCKED TERMINAL POSITION | | | | | | | | | | | | | | | | | | DRESS COVER | |
| | | | | | | | | | | | CAVITY WITHOUT A NUMBER INDICATES OPEN TERMINAL POSITION | | | | | | | | | | | | | | | | | | | |
| MX123 CONN ASSY 73 CKT BLK OPT9 KEY A/41 | 345666583 | C-HSG-A9 | G-CAP-9-P | TPA-A9 | RS | LS | MAL | CPA | MSEAL | RSEAL | 72 | 71 | - | - | 68 | 67 | 66 | 65 | 64 | - | - | - | - | 59 | - | - | - | - | - | - |
| | | | | | | | | | | | - | - | - | - | 48 | 47 | 46 | 45 | - | - | - | - | - | - | 38 | - | - | 35 | - | 33 |
| | | | | | | | | | | | | | | | - | 31 | 30 | - | - | - | - | 25 | 24 | 23 | 22 | 21 | 20 | - | - | 17 |
| | | | | | | | | | | | | | | | - | - | - | - | - | - | - | 9 | 8 | 7 | 6 | 5 | 4 | - | 2 | 1 |
| MX123 CONN ASSY 73 CKT BLU OPT0 KEY C/37 | 345666593 | C-HSG-C0 | G-CAP-0-P | TPA-C0 | RS | LS | MAL | CPA | MSEAL | RSEAL | 72 | 71 | 70 | - | 68 | - | 66 | 65 | - | 63 | - | 61 | - | 59 | 58 | - | 56 | - | - | 53 |
| | | | | | | | | | | | - | - | - | 49 | - | 47 | - | - | - | 43 | - | 41 | 40 | 39 | 38 | - | 36 | - | - | |
| | | | | | | | | | | | | | | | - | 31 | 30 | 29 | - | - | - | 25 | 24 | 23 | 22 | 21 | - | - | - | - |
| | | | | | | | | | | | | | | | - | - | - | - | - | - | - | 8 | 7 | 6 | 5 | 4 | 3 | 2 | 1 | |
| MX123 CONN ASSY 73 CKT BLK OPT0 KEY A/50 | 345666613 | C-HSG-A0 | G-CAP-0-P | TPA-A0 | RS | LS | MAL | CPA | MSEAL | RSEAL | - | - | - | - | 68 | 67 | - | 65 | - | - | 62 | - | - | 59 | 58 | - | - | 55 | - | - |
| | | | | | | | | | | | - | - | - | - | 48 | 47 | - | - | - | - | 42 | 41 | - | - | - | - | - | 35 | - | - |
| | | | | | | | | | | | | | | | - | - | - | - | - | 27 | - | - | 24 | - | - | - | 20 | 19 | 18 | 17 |
| | | | | | | | | | | | | | | | - | - | - | - | - | 11 | 10 | - | 8 | - | - | - | 4 | 3 | - | - |
| MX123 CONN ASSY 73 CKT GRY OPT9 KEY B/25 | 345666623 | C-HSG-B9 | G-CAP-9-P | TPA-B9 | RS | LS | MAL | CPA | MSEAL | RSEAL | 72 | 71 | 70 | 69 | - | - | 66 | 65 | - | 63 | 62 | 61 | 60 | - | - | 57 | 56 | 55 | - | 53 |
| | | | | | | | | | | | 52 | 51 | 50 | 49 | 48 | 47 | - | - | 44 | 43 | 42 | 41 | 40 | - | - | 37 | 36 | 35 | 34 | 33 |
| | | | | | | | | | | | | | | | - | 31 | - | - | - | - | 26 | 25 | 24 | - | - | 21 | 20 | 19 | 18 | - |
| | | | | | | | | | | | | | | | 16 | - | 14 | - | 12 | - | - | 9 | 8 | 7 | - | 5 | 4 | 3 | 2 | - |
| MX123 CONN ASSY 73 CKT BLU OPT9 KEY C/33 | 345666633 | C-HSG-C9 | G-CAP-9-P | TPA-C9 | RS | LS | MAL | CPA | MSEAL | RSEAL | 72 | 71 | 70 | - | 68 | - | - | 65 | - | 63 | - | 61 | - | 59 | 58 | - | 56 | 55 | - | 53 |
| | | | | | | | | | | | - | - | - | 49 | - | 47 | - | - | - | 43 | - | 41 | 40 | 39 | 38 | - | 36 | 35 | - | - |
| | | | | | | | | | | | | | | | 32 | 31 | 30 | 29 | - | - | - | 25 | 24 | 23 | 22 | 21 | 20 | 19 | 18 | 17 |
| | | | | | | | | | | | | | | | - | - | - | - | - | - | - | - | - | 6 | 5 | 4 | 3 | 2 | 1 | |
| MX123 CONN ASSY 73 CKT BLU OPT9 KEY C/37 | 345666643 | C-HSG-C9 | G-CAP-9-P | TPA-C9 | RS | LS | MAL | CPA | MSEAL | RSEAL | 72 | - | 70 | 69 | - | - | 66 | - | - | - | 62 | - | - | 59 | - | - | 56 | 55 | - | 53 |
| | | | | | | | | | | | - | - | - | 49 | - | 47 | 46 | - | 44 | - | 42 | - | 40 | 39 | - | - | 36 | 35 | - | - |
| | | | | | | | | | | | | | | | 32 | 31 | 30 | 29 | - | - | 26 | - | 24 | 23 | 22 | 21 | 20 | 19 | - | 17 |
| | | | | | | | | | | | | | | | - | - | - | - | - | - | - | - | - | 6 | 5 | 4 | 3 | 2 | 1 | |
| MX123 CONN ASSY 73 CKT GRY OPT9 KEY B/30 | 345666653 | C-HSG-B9 | G-CAP-9-P | TPA-B9 | RS | LS | MAL | CPA | MSEAL | RSEAL | - | 71 | 70 | 69 | - | 67 | 66 | 65 | 64 | 63 | - | - | - | - | 58 | 57 | 56 | - | 54 | 53 |
| | | | | | | | | | | | - | 51 | 50 | 49 | - | - | - | 45 | - | - | 42 | - | - | 39 | - | - | - | - | 34 | 33 |
| | | | | | | | | | | | | | | | 32 | 31 | - | 29 | 28 | 27 | 26 | 25 | 24 | 23 | 22 | 21 | - | - | - | 17 |
| | | | | | | | | | | | | | | | - | 15 | - | 13 | 12 | 11 | 10 | 9 | - | 7 | 6 | - | - | 3 | 2 | - |
| MX123 CONN ASSY 73 CKT BLK OPT9 KEY A/51 | 345666663 | C-HSG-A9 | G-CAP-9-P | TPA-A9 | RS | LS | MAL | CPA | MSEAL | RSEAL | - | - | - | - | - | 67 | - | - | - | - | 62 | 61 | - | 59 | 58 | - | - | 55 | - | 53 |
| | | | | | | | | | | | - | - | - | - | - | 47 | - | - | - | - | 41 | - | - | - | - | - | 35 | - | 33 | |
| | | | | | | | | | | | | | | | - | - | - | - | - | 27 | - | - | 24 | - | - | - | 19 | 18 | 17 | |
| | | | | | | | | | | | | | | | 16 | - | - | - | - | 11 | 10 | - | 8 | - | - | - | 3 | - | 1 | |
| MX123 CONN ASSY 73 CKT GRY OPT9 KEY B/65 | 345666673 | C-HSG-B9 | G-CAP-9-P | TPA-B9 | RS | LS | MAL | CPA | MSEAL | RSEAL | - | - | - | - | - | - | - | - | - | - | 62 | - | - | - | 58 | - | - | - | 54 | 53 |
| | | | | | | | | | | | - | - | - | - | - | - | - | - | - | 42 | - | - | - | - | - | - | - | - | - | |
| | | | | | | | | | | | | | | | - | - | - | - | - | 27 | - | 25 | - | - | - | - | - | - | - | |
| | | | | | | | | | | | | | | | - | - | - | - | - | 10 | - | - | - | - | - | - | - | - | - | |
| MX123 CONN ASSY 73 CKT BLK OPT9 KEY A/37 | 345666683 | C-HSG-A9 | G-CAP-9-P | TPA-A9 | RS | LS | MAL | CPA | MSEAL | RSEAL | - | 71 | - | 69 | 68 | - | 66 | 65 | 64 | - | 62 | 61 | - | - | - | - | 56 | 55 | 54 | 53 |
| | | | | | | | | | | | - | 51 | 50 | 49 | - | - | - | 45 | 44 | - | - | 41 | - | - | - | - | 36 | 35 | 34 | 33 |
| | | | | | | | | | | | | | | | - | - | - | - | - | - | 26 | 25 | 24 | 23 | - | - | 20 | 19 | 18 | 17 |
| | | | | | | | | | | | | | | | - | - | - | - | - | - | 10 | - | 8 | 7 | - | 5 | 4 | 3 | - | - |
| MX123 CONN ASSY 73 CKT BLU OPT9 KEY C/43 | 345666693 | C-HSG-C9 | G-CAP-9-P | TPA-C9 | RS | LS | MAL | CPA | MSEAL | RSEAL | - | - | - | - | 68 | - | - | - | - | 63 | 62 | 61 | 60 | 59 | 58 | 57 | - | 55 | - | 53 |
| | | | | | | | | | | | - | - | - | - | 48 | - | - | - | - | 43 | 42 | 41 | 40 | - | - | 37 | 36 | 35 | - | 33 |
| | | | | | | | | | | | | | | | 32 | - | - | - | - | 27 | - | - | - | - | - | 20 | 19 | 18 | - | |
| | | | | | | | | | | | | | | | - | - | - | - | - | 11 | 10 | - | - | - | - | 4 | 3 | 2 | 1 | |
| MX123 CONN ASSY 73 CKT BLK OPT9 KEY A/54 | 345666713 | C-HSG-A9 | G-CAP-9-P | TPA-A9 | RS | LS | MAL | CPA | MSEAL | RSEAL | - | - | - | - | - | 67 | - | - | - | - | 62 | - | - | 59 | 58 | - | - | 55 | - | - |
| | | | | | | | | | | | - | - | - | - | - | 47 | - | - | - | - | - | - | - | - | - | 35 | - | - | | |
| | | | | | | | | | | | | | | | - | - | - | - | - | 27 | - | - | 24 | - | - | 20 | 19 | 18 | 17 | |
| | | | | | | | | | | | | | | | 16 | - | - | - | - | 11 | 10 | - | 8 | - | - | - | 4 | 3 | - | - |

| ASSEMBLY DESCRIPTION | ASSEMBLY PART NUMBER | CONNECTOR HOUSING | GROMMET CAP | TPA | RIGHT SLIDE | LEFT SLIDE | MATE ASSIST LEVER | CPA | MAT SEAL | RING SEAL | BLOCKED TERMINALS | | | | | | | | | | | | | | | | | | | | STATUS | COMMENTS | INTEGRAL COMPONENTS SOLD SEPARATELY | |
|--|----------------------|-------------------|-------------|--------|-------------|------------|-------------------|-----|----------|-----------|--|----|----|----|----|----|----|----|----|----|----|----|----|----|----|----|----|----|----------|----------|-----------|-----------|-------------------------------------|----|
| | | | | | | | | | | | CAVITY WITH A NUMBER INDICATES BLOCKED TERMINAL POSITION | | | | | | | | | | | | | | | | | | | | | | DRESS COVER | |
| | | | | | | | | | | | CAVITY WITHOUT A NUMBER INDICATES OPEN TERMINAL POSITION | | | | | | | | | | | | | | | | | | | | | | | |
| MX123 CONN ASSY 73 CKT BLU OPT9 KEY C/35 | 345666743 | C-HSG-C9 | G-CAP-9-P | TPA-C9 | RS | LS | MAL | CPA | MSEAL | RSEAL | 72 | - | 70 | - | - | - | 66 | - | - | - | 62 | - | - | 59 | 58 | - | 56 | 55 | 54 | 53 | SALEABLE | | 345650003 | |
| | | | | | | | | | | | - | - | - | 49 | - | 47 | - | - | 44 | - | 42 | - | 40 | 39 | 38 | - | 36 | 35 | - | - | | | | |
| | | | | | | | | | | | | | | | | | | | | | 32 | 31 | 30 | 29 | - | - | 26 | - | 24 | 23 | | | | 22 |
| MX123 CONN ASSY 73 CKT BLK OPT9 KEY A/49 | 345666753 | C-HSG-A9 | G-CAP-9-P | TPA-A9 | RS | LS | MAL | CPA | MSEAL | RSEAL | - | - | - | - | - | 67 | - | - | - | 63 | 62 | - | - | 59 | 58 | - | - | 55 | - | - | SALEABLE | | 345650003 | |
| | | | | | | | | | | | - | - | - | - | - | 47 | - | - | - | - | 41 | - | - | - | - | - | 35 | - | - | | | | | |
| | | | | | | | | | | | | | | | | | | | | | 32 | - | - | - | - | 27 | 26 | 25 | 24 | - | | | | - |
| MX123 CONN ASSY 73 CKT GRY OPT9 KEY B/26 | 345666763 | C-HSG-B9 | G-CAP-9-P | TPA-B9 | RS | LS | MAL | CPA | MSEAL | RSEAL | - | 71 | 70 | 69 | - | 67 | 66 | 65 | 64 | 63 | - | - | 60 | 59 | 58 | 57 | 56 | - | 54 | 53 | SALEABLE | | 345650003 | |
| | | | | | | | | | | | - | 51 | - | - | - | 48 | 47 | - | - | 44 | - | 42 | 41 | - | 39 | 38 | 37 | 36 | 35 | - | | | | 33 |
| | | | | | | | | | | | | | | | | | | | | | 32 | 31 | 30 | - | 28 | 27 | 26 | 25 | 24 | 23 | | | | - |
| MX123 CONN ASSY 73 CKT BLU OPT0 KEY C/40 | 345666773 | C-HSG-C0 | G-CAP-0-P | TPA-C0 | RS | LS | MAL | CPA | MSEAL | RSEAL | - | 71 | - | 69 | - | 67 | - | 65 | 64 | - | - | 61 | 60 | - | - | - | 56 | 55 | 54 | - | SALEABLE | | 345650003 | |
| | | | | | | | | | | | - | - | 50 | - | - | - | - | 45 | - | 43 | - | 41 | - | - | 38 | 37 | 36 | 35 | - | - | | | | |
| | | | | | | | | | | | | | | | | | | | | | - | 31 | - | 29 | 28 | 27 | - | - | 24 | 23 | | | | - |
| MX123 CONN ASSY 73 CKT GRY OPT0 KEY B/37 | 345666783 | C-HSG-B0 | G-CAP-0-P | TPA-B0 | RS | LS | MAL | CPA | MSEAL | RSEAL | - | 71 | - | 69 | - | 67 | - | 65 | 64 | 63 | 62 | 61 | - | - | 58 | 57 | 56 | - | - | - | SALEABLE | | 345650003 | |
| | | | | | | | | | | | - | 51 | - | 49 | - | 47 | - | 45 | 44 | - | 42 | 41 | - | - | 38 | 37 | 36 | - | - | - | | | | |
| | | | | | | | | | | | | | | | | | | | | | - | - | - | - | - | - | - | - | 22 | 21 | | | | 20 |
| MX123 CONN ASSY 73 CKT GRY OPT0 KEY B/42 | 345666793 | C-HSG-B0 | G-CAP-0-P | TPA-B0 | RS | LS | MAL | CPA | MSEAL | RSEAL | - | 71 | - | 69 | - | 67 | - | 65 | - | - | 62 | 61 | - | - | 58 | 57 | 56 | - | - | - | SALEABLE | | 345650003 | |
| | | | | | | | | | | | - | 51 | - | 49 | - | 47 | - | 45 | 44 | - | 42 | 41 | - | - | 38 | 37 | 36 | - | - | - | | | | |
| | | | | | | | | | | | | | | | | | | | | | - | - | - | - | - | - | - | - | 22 | 21 | | | | - |
| MX123 CONN ASSY 73 CKT GRY OPT0 KEY B/55 | 345666803 | C-HSG-B0 | G-CAP-0-P | TPA-B0 | RS | LS | MAL | CPA | MSEAL | RSEAL | 72 | 71 | 70 | 69 | 68 | 67 | 66 | - | 64 | 63 | 62 | 61 | 60 | - | 58 | - | 56 | - | 54 | - | SALEABLE | | 345650003 | |
| | | | | | | | | | | | 52 | 51 | 50 | - | - | 47 | - | 45 | - | 43 | 42 | 41 | 40 | - | 38 | - | 36 | - | 34 | - | | | | |
| | | | | | | | | | | | | | | | | | | | | | 32 | 31 | 30 | - | - | 27 | 26 | 25 | 24 | - | | | | 22 |
| MX123 CONN ASSY 73 CKT BLK OPT9 KEY A/55 | 345666813 | C-HSG-A9 | G-CAP-9-P | TPA-A9 | RS | LS | MAL | CPA | MSEAL | RSEAL | 72 | - | - | - | - | - | 66 | - | - | - | - | - | - | 59 | - | - | - | - | - | SALEABLE | | 345650003 | | |
| | | | | | | | | | | | - | - | - | - | - | - | 46 | - | - | - | - | - | - | 38 | - | - | 35 | - | 33 | | | | | |
| | | | | | | | | | | | | | | | | | | | | | - | 31 | - | - | - | - | - | - | 23 | | | | 22 | - |
| MX123 CONN ASSY 73 CKT BLU OPT9 KEY C/45 | 345666823 | C-HSG-C9 | G-CAP-9-P | TPA-C9 | RS | LS | MAL | CPA | MSEAL | RSEAL | - | 71 | - | 69 | - | - | - | 65 | 64 | - | - | 61 | 60 | - | 58 | - | 56 | 55 | 54 | - | SALEABLE | | 345650003 | |
| | | | | | | | | | | | - | - | 50 | - | - | - | - | 45 | - | 43 | 42 | - | - | 38 | - | - | - | - | - | | | | | |
| | | | | | | | | | | | | | | | | | | | | | - | 31 | - | 29 | 28 | - | - | - | 23 | - | | | | - |
| MX123 CONN ASSY 73 CKT BLK OPT0 KEY A/36 | 345666833 | C-HSG-A0 | G-CAP-0-P | TPA-A0 | RS | LS | MAL | CPA | MSEAL | RSEAL | 72 | 71 | - | - | 68 | 67 | 66 | 65 | 64 | - | 62 | 61 | - | - | - | - | - | - | SALEABLE | | 345650003 | | | |
| | | | | | | | | | | | - | - | 50 | - | - | - | 46 | 45 | - | - | - | - | 39 | 38 | - | - | 35 | - | | | | - | | |
| | | | | | | | | | | | | | | | | | | | | | - | 31 | 30 | 29 | - | 27 | - | 25 | | | | 24 | 23 | 22 |
| MX123 CONN ASSY 73 CKT BLK OPT0 KEY A/54 | 345666843 | C-HSG-A0 | G-CAP-0-P | TPA-A0 | RS | LS | MAL | CPA | MSEAL | RSEAL | - | - | - | - | - | 67 | - | - | - | - | 62 | - | - | 59 | 58 | - | - | 55 | - | - | SALEABLE | | 345650003 | |
| | | | | | | | | | | | - | - | - | - | - | 47 | - | - | - | - | 42 | 41 | - | - | - | - | 35 | - | - | | | | | |
| | | | | | | | | | | | | | | | | | | | | | - | - | - | - | - | 27 | - | 24 | - | - | | | | - |
| MX123 CONN ASSY 73 CKT BLU OPT0 KEY C/43 | 345666853 | C-HSG-C0 | G-CAP-0-P | TPA-C0 | RS | LS | MAL | CPA | MSEAL | RSEAL | 72 | 71 | 70 | - | 68 | - | - | 65 | - | 63 | - | - | - | 59 | 58 | - | 56 | - | - | 53 | SALEABLE | | 345650003 | |
| | | | | | | | | | | | - | - | - | - | - | 47 | - | - | - | 43 | - | - | 40 | 39 | 38 | - | 36 | - | - | | | | | |
| | | | | | | | | | | | | | | | | | | | | | - | 31 | 30 | 29 | - | - | - | - | 24 | 23 | | | | 22 |

| ASSEMBLY DESCRIPTION | ASSEMBLY PART NUMBER | CONNECTOR HOUSING | GROMMET CAP | TPA | RIGHT SLIDE | LEFT SLIDE | MATE ASSIST LEVER | CPA | MAT SEAL | RING SEAL | BLOCKED TERMINALS | | | | | | | | | | | | | | | | | | STATUS | COMMENTS | INTEGRAL COMPONENTS SOLD SEPARATELY | | | | | | | | | | | |
|--|----------------------|-------------------|-------------|--------|-------------|------------|-------------------|-----|----------|-----------|--|----|----|----|----|----|----|----|----|----|----|----|----|----|----|----|----|----|--------|----------|-------------------------------------|----|----|---|---|---|----|----|----|----|----|----|
| | | | | | | | | | | | CAVITY WITH A NUMBER INDICATES BLOCKED TERMINAL POSITION | | | | | | | | | | | | | | | | | | | | DRESS COVER | | | | | | | | | | | |
| | | | | | | | | | | | CAVITY WITHOUT A NUMBER INDICATES OPEN TERMINAL POSITION | | | | | | | | | | | | | | | | | | | | | | | | | | | | | | | |
| MX123 CONN ASSY 73 CKT BLK OPT0 KEY A/54 | 345666863 | C-HSG-A0 | G-CAP-0-P | TPA-A0 | RS | LS | MAL | CPA | MSEAL | RSEAL | - | - | - | - | - | 67 | - | - | - | - | - | - | - | - | - | 62 | - | - | 59 | 58 | - | - | 55 | - | - | | | | | | | |
| | | | | | | | | | | | - | - | - | - | - | - | 47 | - | - | - | - | - | - | - | - | - | 41 | - | - | - | - | - | - | - | - | - | - | - | 35 | - | - | |
| | | | | | | | | | | | - | - | - | - | - | - | - | - | - | - | - | - | - | - | - | - | - | - | - | - | - | - | - | - | - | - | - | - | - | 19 | 18 | 17 |
| | | | | | | | | | | | - | - | - | - | - | - | - | - | - | - | - | - | - | - | - | - | - | - | - | - | - | - | - | - | - | - | - | - | - | - | - | - |
| MX123 CONN ASSY 73 CKT GRY OPT9 KEY B/36 | 345666873 | C-HSG-B9 | G-CAP-9-P | TPA-B9 | RS | LS | MAL | CPA | MSEAL | RSEAL | - | 71 | 70 | 69 | - | - | 66 | 65 | 64 | - | - | - | - | - | - | - | - | 58 | 57 | 56 | - | 54 | - | | | | | | | | | |
| | | | | | | | | | | | - | 51 | 50 | 49 | - | - | - | 45 | - | - | 42 | - | - | 39 | - | - | - | - | - | - | - | - | - | - | - | - | - | 34 | 33 | | | |
| | | | | | | | | | | | - | - | - | - | - | - | - | - | - | - | - | - | - | - | - | - | - | - | - | - | - | - | - | - | - | - | - | - | - | - | - | |
| | | | | | | | | | | | - | - | - | - | - | - | - | - | - | - | - | - | - | - | - | - | - | - | - | - | - | - | - | - | - | - | - | - | - | - | - | |
| MX123 CONN ASSY 73 CKT BLK OPT9 KEY A/37 | 345666883 | C-HSG-A9 | G-CAP-9-P | TPA-A9 | RS | LS | MAL | CPA | MSEAL | RSEAL | - | 71 | - | 69 | 68 | - | 66 | 65 | 64 | - | - | 62 | 61 | - | - | - | - | - | - | - | - | 54 | 53 | | | | | | | | | |
| | | | | | | | | | | | - | - | 50 | 49 | - | - | - | 45 | 44 | - | - | 41 | - | - | - | - | - | - | - | - | - | - | - | - | - | - | 34 | 33 | | | | |
| | | | | | | | | | | | - | - | - | - | - | - | - | - | - | - | - | - | - | - | - | - | - | - | - | - | - | - | - | - | - | - | - | - | - | - | - | |
| | | | | | | | | | | | - | - | - | - | - | - | - | - | - | - | - | - | - | - | - | - | - | - | - | - | - | - | - | - | - | - | - | - | - | - | - | |
| MX123 CONN ASSY 73 CKT GRY OPT0 KEY B/66 | 345666893 | C-HSG-B0 | G-CAP-0-P | TPA-B0 | RS | LS | MAL | CPA | MSEAL | RSEAL | - | - | - | - | - | - | - | - | - | - | - | - | - | - | - | - | - | - | - | - | - | - | - | - | | | | | | | | |
| | | | | | | | | | | | - | - | - | - | - | - | - | - | - | - | - | - | - | - | - | - | - | - | - | - | - | - | - | - | - | - | - | - | - | - | | |
| | | | | | | | | | | | - | - | - | - | - | - | - | - | - | - | - | - | - | - | - | - | - | - | - | - | - | - | - | - | - | - | - | - | - | - | - | |
| | | | | | | | | | | | - | - | - | - | - | - | - | - | - | - | - | - | - | - | - | - | - | - | - | - | - | - | - | - | - | - | - | - | - | - | - | |
| MX123 CONN ASSY 73 CKT GRY OPT0 KEY B/55 | 345666903 | C-HSG-B0 | G-CAP-0-P | TPA-B0 | RS | LS | MAL | CPA | MSEAL | RSEAL | 72 | 71 | 70 | 69 | 68 | 67 | 66 | 65 | - | 63 | 62 | 61 | 60 | - | 58 | - | 56 | - | 54 | - | | | | | | | | | | | | |
| | | | | | | | | | | | 52 | 51 | 50 | - | - | 47 | - | 45 | 44 | 43 | 42 | 41 | 40 | - | 38 | - | 36 | - | 34 | - | | | | | | | | | | | | |
| | | | | | | | | | | | - | - | - | - | - | - | - | - | - | - | - | - | - | - | - | - | - | - | - | - | - | - | - | - | - | - | - | - | - | - | - | |
| | | | | | | | | | | | - | - | - | - | - | - | - | - | - | - | - | - | - | - | - | - | - | - | - | - | - | - | - | - | - | - | - | - | - | - | - | |
| MX123 CONN ASSY 73 CKT BLK OPT9 KEY A/63 | 345666913 | C-HSG-A9 | G-CAP-9-P | TPA-A9 | RS | LS | MAL | CPA | MSEAL | RSEAL | - | - | - | - | - | - | - | - | - | - | - | 62 | 61 | - | - | - | - | - | - | - | - | - | - | - | - | | | | | | | |
| | | | | | | | | | | | - | - | - | - | - | - | - | - | - | - | - | - | - | - | - | - | - | - | - | - | - | - | - | - | - | - | - | - | - | - | | |
| | | | | | | | | | | | - | - | - | - | - | - | - | - | - | - | - | - | - | - | - | - | - | - | - | - | - | - | - | - | - | - | - | - | - | - | - | |
| | | | | | | | | | | | - | - | - | - | - | - | - | - | - | - | - | - | - | - | - | - | - | - | - | - | - | - | - | - | - | - | - | - | - | - | - | |
| MX123 CONN ASSY 73 CKT BLU OPT9 KEY C/56 | 345666923 | C-HSG-C9 | G-CAP-9-P | TPA-C9 | RS | LS | MAL | CPA | MSEAL | RSEAL | - | - | - | - | 68 | - | - | - | - | 63 | 62 | - | - | 59 | - | - | - | 55 | - | 53 | | | | | | | | | | | | |
| | | | | | | | | | | | - | - | - | - | - | - | - | - | - | - | - | - | - | - | - | - | - | - | - | - | - | - | - | - | - | - | - | - | - | - | | |
| | | | | | | | | | | | - | - | - | - | - | - | - | - | - | - | - | - | - | - | - | - | - | - | - | - | - | - | - | - | - | - | - | - | - | - | - | |
| | | | | | | | | | | | - | - | - | - | - | - | - | - | - | - | - | - | - | - | - | - | - | - | - | - | - | - | - | - | - | - | - | - | - | - | - | |
| MX123 CONN ASSY 73 CKT GRY OPT9 KEY B/39 | 345666933 | C-HSG-B9 | G-CAP-9-P | TPA-B9 | RS | LS | MAL | CPA | MSEAL | RSEAL | - | 71 | 70 | 69 | - | - | 66 | 65 | 64 | - | - | - | - | - | - | 58 | 57 | 56 | - | 54 | - | | | | | | | | | | | |
| | | | | | | | | | | | - | 51 | 50 | 49 | - | - | - | 45 | - | - | 42 | - | - | 39 | - | - | - | - | - | - | - | - | - | - | - | - | - | 34 | 33 | | | |
| | | | | | | | | | | | - | - | - | - | - | - | - | - | - | - | - | - | - | - | - | - | - | - | - | - | - | - | - | - | - | - | - | - | - | - | - | |
| | | | | | | | | | | | - | - | - | - | - | - | - | - | - | - | - | - | - | - | - | - | - | - | - | - | - | - | - | - | - | - | - | - | - | - | - | |
| MX123 CONN ASSY 73 CKT BLK OPT9 KEY A/51 | 345666943 | C-HSG-A9 | G-CAP-9-P | TPA-A9 | RS | LS | MAL | CPA | MSEAL | RSEAL | - | - | - | - | - | 67 | - | - | - | - | - | - | - | - | - | - | - | - | - | - | - | - | - | - | | | | | | | | |
| | | | | | | | | | | | - | - | - | - | - | - | 47 | - | - | - | - | - | - | - | - | - | - | - | - | - | - | - | - | - | - | - | - | - | - | - | | |
| | | | | | | | | | | | - | - | - | - | - | - | - | - | - | - | - | - | - | - | - | - | - | - | - | - | - | - | - | - | - | - | - | - | - | - | - | |
| | | | | | | | | | | | - | - | - | - | - | - | - | - | - | - | - | - | - | - | - | - | - | - | - | - | - | - | - | - | - | - | - | - | - | - | - | |
| MX123 CONN ASSY 73 CKT BLK OPT0 KEY A/52 | 345666953 | C-HSG-A0 | G-CAP-0-P | TPA-A0 | RS | LS | MAL | CPA | MSEAL | RSEAL | - | - | - | - | 68 | 67 | - | 65 | - | - | 62 | - | - | 59 | 58 | - | - | 55 | - | - | | | | | | | | | | | | |
| | | | | | | | | | | | - | - | - | - | 48 | 47 | - | - | - | - | 42 | 41 | - | - | - | - | - | - | - | - | - | - | - | - | - | - | 35 | - | - | | | |
| | | | | | | | | | | | - | - | - | - | - | - | - | - | - | - | - | - | - | - | - | - | - | - | - | - | - | - | - | - | - | - | - | - | - | - | - | |
| | | | | | | | | | | | - | - | - | - | - | - | - | - | - | - | - | - | - | - | - | - | - | - | - | - | - | - | - | - | - | - | - | - | - | - | - | |
| MX123 CONN ASSY 73 CKT GRY OPT0 KEY B/24 | 345666963 | C-HSG-B0 | G-CAP-0-P | TPA-B0 | RS | LS | MAL | CPA | MSEAL | RSEAL | - | 71 | - | 69 | - | - | 66 | 65 | 64 | 63 | - | - | 60 | 59 | 58 | 57 | 56 | - | 54 | 53 | | | | | | | | | | | | |
| | | | | | | | | | | | - | 51 | 50 | 49 | - | - | - | 45 | 44 | - | 42 | 41 | - | 39 | 38 | 37 | 36 | 35 | 34 | 33 | | | | | | | | | | | | |
| | | | | | | | | | | | - | - | - | - | - | - | - | - | - | - | - | - | - | - | - | - | - | - | - | - | - | - | - | - | - | - | - | - | - | - | - | |
| | | | | | | | | | | | - | - | - | - | - | - | - | - | - | - | - | - | - | - | - | - | - | - | - | - | - | - | - | - | - | - | - | - | - | - | - | |
| MX123 CONN ASSY 73 CKT BLU OPT0 KEY C/46 | 345666973 | C-HSG-C0 | G-CAP-0-P | TPA-C0 | RS | LS | MAL | CPA | MSEAL | RSEAL | 72 | - | - | - | 68 | - | 66 | - | - | 63 | - | - | - | 59 | 58 | - | 56 | - | - | 53 | | | | | | | | | | | | |
| | | | | | | | | | | | - | - | - | - | - | - | - | - | - | - | - | - | - | - | - | - | - | - | - | - | - | - | - | - | - | - | - | - | - | - | | |
| | | | | | | | | | | | - | - | - | - | - | - | - | - | - | - | - | - | - | - | - | - | - | - | - | - | - | - | - | - | - | - | - | - | - | - | - | |
| | | | | | | | | | | | - | - | - | - | - | - | - | - | - | - | - | - | - | - | - | - | - | - | - | - | - | - | - | - | - | - | - | - | - | - | - | |

| ASSEMBLY DESCRIPTION | ASSEMBLY PART NUMBER | CONNECTOR HOUSING | GROMMET CAP | TPA | RIGHT SLIDE | LEFT SLIDE | MATE ASSIST LEVER | CPA | MAT SEAL | RING SEAL | BLOCKED TERMINALS | | | | | | | | | | | | | | | | | | | STATUS | COMMENTS | INTEGRAL COMPONENTS SOLD SEPARATELY | |
|--|----------------------|-------------------|-------------|--------|-------------|------------|-------------------|-----|----------|-----------|--|----|----|----|----|----|----|----|----|----|----|----|----|----|----|----|----|----|----|----------|----------|-------------------------------------|-----------|
| | | | | | | | | | | | CAVITY WITH A NUMBER INDICATES BLOCKED TERMINAL POSITION CAVITY WITHOUT A NUMBER INDICATES OPEN TERMINAL POSITION | | | | | | | | | | | | | | | | | | | | | DRESS COVER | |
| | | | | | | | | | | | | | | | | | | | | | | | | | | | | | | | | | |
| MX123 CONN ASSY 73 CKT BLU OPT0 KEY C/36 | 345666983 | C-HSG-C0 | G-CAP-0-P | TPA-C0 | RS | LS | MAL | CPA | MSEAL | RSEAL | 72 | - | 70 | - | 68 | - | 66 | - | - | 63 | - | 61 | - | 59 | 58 | - | 56 | 55 | - | 53 | SALEABLE | | 345650003 |
| | | | | | | | | | | | - | - | - | 49 | - | - | - | - | - | 43 | - | 41 | 40 | 39 | 38 | - | 36 | 35 | - | - | | | |
| | | | | | | | | | | | | | | | 32 | 31 | 30 | 29 | - | - | - | 25 | 24 | 23 | 22 | 21 | 20 | 19 | - | 17 | | | |
| MX123 CONN ASSY 73 CKT GRY OPT0 KEY B/43 | 345667003 | C-HSG-B0 | G-CAP-0-P | TPA-B0 | RS | LS | MAL | CPA | MSEAL | RSEAL | 72 | 71 | 70 | 69 | 68 | - | - | 65 | 64 | 63 | 62 | 61 | 60 | - | 58 | - | - | - | 54 | - | SALEABLE | | 345650003 |
| | | | | | | | | | | | 52 | 51 | - | - | - | - | 46 | 45 | 44 | 43 | 42 | 41 | 40 | - | 38 | - | - | - | 34 | - | | | |
| | | | | | | | | | | | | | | | 32 | 31 | 30 | - | 28 | 27 | 26 | 25 | 24 | - | 22 | - | 20 | 19 | - | - | | | |
| MX123 CONN ASSY 73 CKT BLK OPT9 KEY A/44 | 345667013 | C-HSG-A9 | G-CAP-9-P | TPA-A9 | RS | LS | MAL | CPA | MSEAL | RSEAL | 72 | - | - | - | 68 | 67 | 66 | 65 | - | - | - | - | - | - | - | - | - | - | - | SALEABLE | | 345650003 | |
| | | | | | | | | | | | - | - | - | - | 48 | 47 | 46 | - | - | - | - | 40 | - | 38 | - | - | - | 35 | - | | | | 33 |
| | | | | | | | | | | | | | | | - | 31 | 30 | - | - | - | - | 25 | 24 | 23 | 22 | 21 | 20 | - | - | | | | 17 |
| MX123 CONN ASSY 73 CKT BLK OPT0 KEY A/51 | 345667023 | C-HSG-A0 | G-CAP-0-P | TPA-A0 | RS | LS | MAL | CPA | MSEAL | RSEAL | - | - | - | - | - | 67 | - | - | - | 63 | 62 | - | - | 59 | 58 | - | - | 55 | - | - | SALEABLE | | 345650003 |
| | | | | | | | | | | | - | - | - | - | - | 47 | - | - | - | 42 | 41 | - | - | - | - | - | 35 | - | - | | | | |
| | | | | | | | | | | | | | | | 32 | - | - | - | - | 27 | - | - | 24 | - | - | - | - | 19 | 18 | 17 | | | |
| MX123 CONN ASSY 73 CKT BLK OPT0 KEY A/41 | 345667033 | C-HSG-A0 | G-CAP-0-P | TPA-A0 | RS | LS | MAL | CPA | MSEAL | RSEAL | 72 | 71 | - | - | 68 | 67 | 66 | - | 64 | - | - | - | - | 59 | - | - | - | - | - | SALEABLE | | 345650003 | |
| | | | | | | | | | | | - | - | 50 | - | 48 | 47 | 46 | 45 | - | - | - | - | 40 | 39 | 38 | - | - | 35 | - | | | | 33 |
| | | | | | | | | | | | | | | | - | 31 | 30 | - | - | - | - | 25 | 24 | 23 | 22 | - | 20 | - | - | | | | 17 |
| MX123 CONN ASSY 73 CKT GRY OPT0 KEY B/24 | 345667043 | C-HSG-B0 | G-CAP-0-P | TPA-B0 | RS | LS | MAL | CPA | MSEAL | RSEAL | - | 71 | 70 | 69 | - | - | 66 | 65 | 64 | - | - | - | - | - | 58 | 57 | 56 | - | 54 | 53 | SALEABLE | | 345650003 |
| | | | | | | | | | | | - | 51 | 50 | 49 | 48 | 47 | - | 45 | 44 | - | 42 | - | - | 39 | 38 | 37 | 36 | 35 | 34 | 33 | | | |
| | | | | | | | | | | | | | | | 32 | 31 | 30 | 29 | 28 | - | 26 | 25 | 24 | 23 | 22 | 21 | - | - | - | 17 | | | |
| MX123 CONN ASSY 73 CKT BLU OPT0 KEY C/39 | 345667053 | C-HSG-C0 | G-CAP-0-P | TPA-C0 | RS | LS | MAL | CPA | MSEAL | RSEAL | 72 | - | 70 | - | 68 | - | 66 | - | - | 63 | - | - | - | 59 | 58 | - | 56 | 55 | - | 53 | SALEABLE | | 345650003 |
| | | | | | | | | | | | - | - | - | - | - | - | - | - | - | 43 | - | - | 40 | 39 | 38 | - | 36 | 35 | - | - | | | |
| | | | | | | | | | | | | | | | 32 | 31 | 30 | 29 | - | - | - | - | 24 | 23 | 22 | 21 | 20 | 19 | 18 | 17 | | | |
| MX123 CONN ASSY 73 CKT BLU OPT0 KEY C/35 | 345667063 | C-HSG-C0 | G-CAP-0-P | TPA-C0 | RS | LS | MAL | CPA | MSEAL | RSEAL | - | 71 | - | 69 | - | - | - | 65 | 64 | - | - | 61 | 60 | - | 58 | - | 56 | 55 | 54 | - | SALEABLE | | 345650003 |
| | | | | | | | | | | | - | - | 50 | 49 | - | - | - | 45 | - | 43 | 42 | 41 | - | - | 38 | 37 | 36 | 35 | - | - | | | |
| | | | | | | | | | | | | | | | - | 31 | - | 29 | 28 | 27 | - | - | 24 | 23 | - | - | 20 | 19 | 18 | 17 | | | |
| MX123 CONN ASSY 73 CKT NAT OPT9 KEY F/17 | 345667073 | C-HSG-F9 | G-CAP-9-P | TPA-F9 | RS | LS | MAL | CPA | MSEAL | RSEAL | 72 | 71 | 70 | - | - | 67 | 66 | 65 | 64 | 63 | 62 | 61 | 60 | 59 | - | - | 56 | 55 | 54 | 53 | SALEABLE | | 345650003 |
| | | | | | | | | | | | 52 | 51 | 50 | 49 | 48 | 47 | 46 | 45 | 44 | - | - | 41 | 40 | 39 | - | - | 36 | 35 | 34 | - | | | |
| | | | | | | | | | | | | | | | 32 | 31 | - | 29 | 28 | 27 | 26 | 25 | 24 | 23 | 22 | 21 | 20 | - | - | - | | | |
| MX123 CONN ASSY 73 CKT GRY OPT9 KEY B/13 | 345667083 | C-HSG-B9 | G-CAP-9-P | TPA-B9 | RS | LS | MAL | CPA | MSEAL | RSEAL | 72 | 71 | 70 | 69 | 68 | 67 | 66 | 65 | 64 | 63 | 62 | 61 | 60 | 59 | 58 | 57 | 56 | 55 | 54 | 53 | SALEABLE | | 345650003 |
| | | | | | | | | | | | 52 | 51 | 50 | 49 | 48 | 47 | 46 | 45 | 44 | 43 | 42 | 41 | 40 | 39 | 38 | 37 | 36 | 35 | 34 | 33 | | | |
| | | | | | | | | | | | | | | | 32 | 31 | 30 | 29 | 28 | 27 | 26 | 25 | 24 | 23 | 22 | 21 | 20 | 19 | 18 | 17 | | | |
| MX123 CONN ASSY 73 CKT GRY OPT9 KEY B/49 | 345667093 | C-HSG-B9 | G-CAP-9-P | TPA-B9 | RS | LS | MAL | CPA | MSEAL | RSEAL | - | - | - | - | - | - | - | - | - | - | 62 | 61 | 60 | - | 58 | 57 | 56 | 55 | 54 | - | SALEABLE | | 345650003 |
| | | | | | | | | | | | - | - | - | - | - | - | - | - | - | - | - | - | - | - | - | - | - | - | - | - | | | |
| | | | | | | | | | | | | | | | - | - | - | - | - | - | - | - | - | - | 22 | 21 | 20 | 19 | 18 | - | | | |
| MX123 CONN ASSY 73 CKT BLK OPT0 KEY A/25 | 345667103 | C-HSG-A0 | G-CAP-0-P | TPA-A0 | RS | LS | MAL | CPA | MSEAL | RSEAL | - | - | - | - | - | - | - | 65 | - | - | - | 61 | - | - | 58 | 57 | 56 | - | - | - | SALEABLE | | 345650003 |
| | | | | | | | | | | | - | 51 | 50 | - | - | 47 | 46 | 45 | - | - | - | 41 | - | - | 38 | 37 | 36 | - | - | - | | | |
| | | | | | | | | | | | | | | | - | 31 | 30 | - | - | - | 26 | 25 | - | - | 22 | 21 | 20 | - | - | - | | | |

| ASSEMBLY DESCRIPTION | ASSEMBLY PART NUMBER | CONNECTOR HOUSING | GROMMET CAP | TPA | RIGHT SLIDE | LEFT SLIDE | MATE ASSIST LEVER | CPA | MAT SEAL | RING SEAL | BLOCKED TERMINALS | | | | | | | | | | | | | | | | | | STATUS | COMMENTS | INTEGRAL COMPONENTS SOLD SEPARATELY | | | |
|--|----------------------|-------------------|-------------|--------|-------------|------------|-------------------|-----|----------|-----------|--|----|----|----|----|----|----|----|----|----|----|----|----|----|----|----|----|----|--------|----------|-------------------------------------|----------|-----------|-----------|
| | | | | | | | | | | | CAVITY WITH A NUMBER INDICATES BLOCKED TERMINAL POSITION CAVITY WITHOUT A NUMBER INDICATES OPEN TERMINAL POSITION | | | | | | | | | | | | | | | | | | | | DRESS COVER | | | |
| | | | | | | | | | | | 72 | 71 | 70 | 69 | 68 | 67 | 66 | 65 | 64 | 63 | 62 | 61 | 60 | 59 | 58 | 57 | 56 | 55 | | | 54 | 53 | | |
| MX123 CONN ASSY 73 CKT GRY OPT9 KEY B/8 | 345667133 | C-HSG-B9 | G-CAP-9-P | TPA-B9 | RS | LS | MAL | CPA | MSEAL | RSEAL | 72 | 71 | 70 | 69 | 68 | 67 | 66 | 65 | 64 | 63 | 62 | 61 | 60 | 59 | 58 | 57 | 56 | 55 | 54 | 53 | SALEABLE | | 345650003 | |
| | | | | | | | | | | | 52 | 51 | 50 | 49 | 48 | 47 | 46 | 45 | 44 | 43 | - | 41 | 40 | 39 | 38 | 37 | 36 | 35 | 34 | 33 | | | | |
| | | | | | | | | | | | | | | | 32 | 31 | 30 | 29 | 28 | - | 26 | - | 24 | 23 | 22 | 21 | 20 | 19 | 18 | 17 | | | | |
| | | | | | | | | | | | | | | | 16 | 15 | 14 | 13 | 12 | 11 | - | 9 | 8 | 7 | 6 | 5 | 4 | 3 | 2 | 1 | | | | |
| MX123 CONN ASSY 73 CKT BLK OPT0 KEY A/35 | 345667143 | C-HSG-A0 | G-CAP-0-P | TPA-A0 | RS | LS | MAL | CPA | MSEAL | RSEAL | 72 | 71 | - | - | 68 | 67 | 66 | 65 | 64 | - | 62 | 61 | - | - | - | - | - | - | - | - | SALEABLE | | 345650003 | |
| | | | | | | | | | | | - | - | 50 | - | - | - | 46 | 45 | - | - | - | - | 40 | 39 | 38 | - | - | 35 | - | - | | | | |
| | | | | | | | | | | | | | | | - | 31 | 30 | 29 | - | 27 | - | 25 | 24 | 23 | 22 | 21 | 20 | - | - | 17 | | | | |
| | | | | | | | | | | | | | | | - | - | 14 | 13 | - | 11 | - | 9 | 8 | 7 | 6 | 5 | 4 | - | 2 | 1 | | | | |
| MX123 CONN ASSY 73 CKT BLU OPT0 KEY C/45 | 345667153 | C-HSG-C0 | G-CAP-0-P | TPA-C0 | RS | LS | MAL | CPA | MSEAL | RSEAL | - | 71 | - | 69 | - | 67 | - | 65 | 64 | - | - | 61 | 60 | - | - | - | 56 | 55 | 54 | - | SALEABLE | | 345650003 | |
| | | | | | | | | | | | - | - | 50 | - | - | - | 45 | - | 43 | - | 41 | - | - | 38 | - | - | 35 | - | - | | | | | |
| | | | | | | | | | | | | | | | - | 31 | - | 29 | 28 | 27 | - | - | - | 23 | - | - | 20 | - | - | - | | | | |
| | | | | | | | | | | | | | | | 16 | - | - | 13 | 12 | 11 | - | - | - | 7 | - | - | - | 3 | - | - | | | | |
| MX123 CONN ASSY 73 CKT BLK OPT0 KEY A/45 | 345667163 | C-HSG-A0 | G-CAP-0-P | TPA-A0 | RS | LS | MAL | CPA | MSEAL | RSEAL | - | 71 | - | - | - | - | 66 | 65 | 64 | 63 | 62 | - | - | 59 | 58 | 57 | - | - | - | - | SALEABLE | | 345650003 | |
| | | | | | | | | | | | - | 51 | - | - | - | - | 46 | - | - | - | 42 | - | - | 39 | 38 | 37 | 36 | - | - | - | | | | |
| | | | | | | | | | | | | | | | 32 | 31 | 30 | - | - | 27 | 26 | - | - | 23 | 22 | 21 | - | - | - | - | | | | |
| | | | | | | | | | | | | | | | - | - | 14 | 13 | 12 | - | 10 | - | - | - | - | - | - | - | - | - | | | | |
| MX123 CONN ASSY 73 CKT GRY OPT0 KEY B/23 | 345667173 | C-HSG-B0 | G-CAP-0-P | TPA-B0 | RS | LS | MAL | CPA | MSEAL | RSEAL | 72 | 71 | 70 | 69 | - | - | - | - | - | - | 62 | 61 | 60 | 59 | - | 57 | 56 | - | 54 | 53 | SALEABLE | | 345650003 | |
| | | | | | | | | | | | 52 | 51 | 50 | 49 | 48 | 47 | - | - | 44 | - | 42 | 41 | 40 | 39 | - | 37 | 36 | 35 | - | 33 | | | | |
| | | | | | | | | | | | | | | | - | 31 | - | - | - | - | 26 | 25 | 24 | 23 | - | 21 | 20 | 19 | 18 | - | | | | |
| | | | | | | | | | | | | | | | - | 15 | 14 | 13 | 12 | 11 | - | 9 | 8 | 7 | 6 | 5 | 4 | 3 | 2 | 1 | | | | |
| MX123 CONN ASSY 73 CKT GRY OPT0 KEY B/72 | 345667183 | C-HSG-B0 | G-CAP-0-P | TPA-B0 | RS | LS | MAL | CPA | MSEAL | RSEAL | - | - | - | - | - | - | - | - | - | - | - | - | - | - | - | - | - | - | - | - | SALEABLE | | 345650003 | |
| | | | | | | | | | | | - | - | - | - | - | - | - | - | - | - | - | - | - | - | - | - | - | - | - | - | | | | |
| | | | | | | | | | | | - | - | - | - | - | - | - | - | - | - | - | - | - | - | - | - | - | - | - | - | | | | |
| MX123 CONN ASSY 73 CKT BLK OPT0 KEY A/41 | 345667193 | C-HSG-A0 | G-CAP-0-P | TPA-A0 | RS | LS | MAL | CPA | MSEAL | RSEAL | - | 71 | - | - | 68 | 67 | 66 | 65 | 64 | - | - | - | - | 59 | - | - | - | - | - | - | SALEABLE | | 345650003 | |
| | | | | | | | | | | | - | - | 50 | - | 48 | 47 | 46 | 45 | - | - | - | - | 40 | 39 | 38 | - | - | 35 | - | 33 | | | | |
| | | | | | | | | | | | | | | | - | 31 | 30 | - | - | - | - | 25 | 24 | 23 | 22 | 21 | 20 | - | - | - | | | | |
| | | | | | | | | | | | | | | | - | - | 14 | - | - | - | - | 9 | 8 | 7 | 6 | 5 | 4 | - | - | - | | | | |
| MX123 CONN ASSY 73 CKT GRY OPT0 KEY B/25 | 345667203 | C-HSG-B0 | G-CAP-0-P | TPA-B0 | RS | LS | MAL | CPA | MSEAL | RSEAL | - | - | - | - | - | - | - | - | - | - | - | - | - | 61 | - | - | 58 | 57 | 56 | - | - | SALEABLE | | 345650003 |
| | | | | | | | | | | | - | 51 | 50 | - | - | 47 | 46 | 45 | - | - | - | 41 | 40 | - | 38 | 37 | 36 | - | - | - | | | | |
| | | | | | | | | | | | | | | | - | 31 | 30 | - | 28 | - | 26 | 25 | - | - | 22 | 21 | - | - | - | - | | | | |
| | | | | | | | | | | | | | | | - | 15 | 14 | - | - | - | 10 | - | - | - | - | - | - | - | - | - | | | | |
| MX123 CONN ASSY 73 CKT BLK OPT0 KEY A/30 | 345667213 | C-HSG-A0 | G-CAP-0-P | TPA-A0 | RS | LS | MAL | CPA | MSEAL | RSEAL | 72 | 71 | - | - | 68 | 67 | 66 | 65 | 64 | - | 62 | 61 | 60 | 59 | - | 57 | - | 55 | - | 53 | SALEABLE | | 345650003 | |
| | | | | | | | | | | | - | - | 50 | - | 48 | - | 46 | 45 | - | - | - | - | 40 | - | 38 | 37 | - | 35 | - | 33 | | | | |
| | | | | | | | | | | | | | | | - | 31 | 30 | 29 | - | 27 | - | 25 | 24 | 23 | 22 | 21 | 20 | - | - | - | | | | |
| | | | | | | | | | | | | | | | - | 15 | 14 | 13 | - | 11 | - | 9 | 8 | 7 | 6 | 5 | 4 | - | - | - | | | | |
| MX123 CONN ASSY 73 CKT BLU OPT0 KEY C/41 | 345667223 | C-HSG-C0 | G-CAP-0-P | TPA-C0 | RS | LS | MAL | CPA | MSEAL | RSEAL | - | 71 | - | 69 | - | 67 | - | 65 | 64 | - | - | 61 | 60 | - | 58 | - | 56 | 55 | 54 | - | SALEABLE | | 345650003 | |
| | | | | | | | | | | | - | - | 50 | 49 | - | - | - | 45 | - | 43 | - | 41 | - | - | 38 | - | - | 35 | - | - | | | | |
| | | | | | | | | | | | | | | | - | 31 | - | 29 | 28 | 27 | - | - | - | 23 | - | - | - | 19 | 18 | 17 | | | | |
| | | | | | | | | | | | | | | | 16 | - | - | - | 12 | 11 | - | - | - | 7 | - | - | - | 3 | - | 1 | | | | |
| MX123 CONN ASSY 73 CKT BLK OPT9 KEY A/29 | 345667233 | C-HSG-A9 | G-CAP-9-P | TPA-A9 | RS | LS | MAL | CPA | MSEAL | RSEAL | - | 71 | 70 | 69 | 68 | 67 | 66 | 65 | 64 | 63 | - | - | 60 | 59 | 58 | - | - | - | - | 53 | SALEABLE | | 345650003 | |
| | | | | | | | | | | | - | - | 50 | 49 | 48 | 47 | - | - | 44 | - | 42 | 41 | - | 39 | 38 | - | 36 | - | - | 33 | | | | |
| | | | | | | | | | | | | | | | - | 31 | - | - | 28 | 27 | 26 | - | 24 | 23 | 22 | 21 | - | 19 | 18 | 17 | | | | |
| | | | | | | | | | | | | | | | - | - | 14 | - | 12 | - | - | - | 8 | 7 | 6 | 5 | - | 3 | 2 | 1 | | | | |
| MX123 CONN ASSY 73 CKT BLK OPT9 KEY A/33 | 345667243 | C-HSG-A9 | G-CAP-9-P | TPA-A9 | RS | LS | MAL | CPA | MSEAL | RSEAL | - | 71 | 70 | 69 | 68 | 67 | 66 | 65 | 64 | 63 | - | - | 60 | 59 | - | - | - | - | - | 53 | SALEABLE | | 345650003 | |
| | | | | | | | | | | | - | - | 50 | 49 | - | 47 | - | - | 44 | - | 42 | - | - | 39 | 38 | - | 36 | - | - | 33 | | | | |
| | | | | | | | | | | | | | | | - | 31 | - | - | 28 | 27 | 26 | - | 24 | 23 | 22 | 21 | - | 19 | 18 | 17 | | | | |
| | | | | | | | | | | | | | | | - | - | 14 | - | 12 | - | - | - | 8 | 7 | 6 | 5 | - | - | 2 | 1 | | | | |

| ASSEMBLY DESCRIPTION | ASSEMBLY PART NUMBER | CONNECTOR HOUSING | GROMMET CAP | TPA | RIGHT SLIDE | LEFT SLIDE | MATE ASSIST LEVER | CPA | MAT SEAL | RING SEAL | BLOCKED TERMINALS | | | | | | | | | | | | | | | | | | | | STATUS | COMMENTS | INTEGRAL COMPONENTS SOLD SEPARATELY |
|--|----------------------|-------------------|-------------|--------|-------------|------------|-------------------|-----|----------|-----------|--|----|----|----|----|----|----|----|----|----|----|----|----|----|----|----|----|----|----|----------|----------|-----------|-------------------------------------|
| | | | | | | | | | | | CAVITY WITH A NUMBER INDICATES BLOCKED TERMINAL POSITION | | | | | | | | | | | | | | | | | | | | | | DRESS COVER |
| | | | | | | | | | | | CAVITY WITHOUT A NUMBER INDICATES OPEN TERMINAL POSITION | | | | | | | | | | | | | | | | | | | | | | |
| MX123 CONN ASSY 73 CKT GRY OPT0 KEY B/19 | 345667253 | C-HSG-B0 | G-CAP-0-P | TPA-B0 | RS | LS | MAL | CPA | MSEAL | RSEAL | - | 71 | 70 | 69 | 68 | 67 | 66 | 65 | 64 | 63 | - | - | 60 | 59 | 58 | 57 | 56 | 55 | 54 | 53 | SALEABLE | | 345650003 |
| | | | | | | | | | | | - | 51 | 50 | 49 | - | - | - | 45 | - | - | 42 | - | - | 39 | 38 | 37 | 36 | 35 | 34 | 33 | | | |
| | | | | | | | | | | | | | | | 32 | 31 | - | 29 | 28 | 27 | 26 | 25 | 24 | 23 | 22 | 21 | - | - | - | 17 | | | |
| MX123 CONN ASSY 73 CKT BLU OPT0 KEY C/34 | 345667263 | C-HSG-C0 | G-CAP-0-P | TPA-C0 | RS | LS | MAL | CPA | MSEAL | RSEAL | 72 | 71 | 70 | - | 68 | - | - | 65 | - | 63 | - | 61 | - | 59 | 58 | - | 56 | 55 | - | 53 | SALEABLE | | 345650003 |
| | | | | | | | | | | | - | - | - | 49 | - | 47 | - | - | - | 43 | - | 41 | 40 | 39 | 38 | - | 36 | 35 | - | - | | | |
| | | | | | | | | | | | | | | | 32 | 31 | 30 | 29 | - | - | - | 25 | 24 | 23 | 22 | 21 | 20 | 19 | - | 17 | | | |
| MX123 CONN ASSY 73 CKT BLU OPT0 KEY C/39 | 345667273 | C-HSG-C0 | G-CAP-0-P | TPA-C0 | RS | LS | MAL | CPA | MSEAL | RSEAL | 72 | 71 | 70 | - | 68 | - | - | 65 | - | 63 | - | 61 | - | 59 | 58 | - | 56 | - | - | 53 | SALEABLE | | 345650003 |
| | | | | | | | | | | | - | - | - | 49 | - | 47 | - | - | - | 43 | - | 41 | 40 | 39 | 38 | - | 36 | - | - | - | | | |
| | | | | | | | | | | | | | | | 32 | 31 | 30 | 29 | - | - | - | 25 | 24 | 23 | 22 | 21 | 20 | - | - | - | | | |
| MX123 CONN ASSY 73 CKT BLU OPT0 KEY C/35 | 345667283 | C-HSG-C0 | G-CAP-0-P | TPA-C0 | RS | LS | MAL | CPA | MSEAL | RSEAL | 72 | 71 | 70 | - | 68 | - | - | 65 | - | 63 | 62 | - | - | 59 | 58 | - | 56 | 55 | - | 53 | SALEABLE | | 345650003 |
| | | | | | | | | | | | - | - | - | - | - | 47 | - | - | - | 43 | 42 | - | 40 | 39 | 38 | - | 36 | 35 | - | - | | | |
| | | | | | | | | | | | | | | | 32 | 31 | 30 | 29 | - | - | 26 | - | 24 | 23 | 22 | 21 | 20 | 19 | - | 17 | | | |
| MX123 CONN ASSY 73 CKT BLK OPT9 KEY A/49 | 345667293 | C-HSG-A9 | G-CAP-9-P | TPA-A9 | RS | LS | MAL | CPA | MSEAL | RSEAL | - | - | - | - | - | - | - | - | - | - | 62 | 61 | 60 | - | 58 | 57 | 56 | 55 | 54 | - | SALEABLE | | 345650003 |
| | | | | | | | | | | | - | - | - | - | - | - | - | - | - | - | 42 | 41 | 40 | - | 38 | 37 | 36 | 35 | - | - | | | |
| | | | | | | | | | | | | | | | - | - | - | - | - | - | - | - | - | - | 22 | 21 | 20 | 19 | 18 | - | | | |
| MX123 CONN ASSY 73 CKT GRY OPT0 KEY B/49 | 345667303 | C-HSG-B0 | G-CAP-0-P | TPA-B0 | RS | LS | MAL | CPA | MSEAL | RSEAL | 72 | 71 | 70 | - | 67 | - | 65 | 64 | 63 | 62 | 61 | 60 | - | 58 | 57 | 56 | - | 54 | - | SALEABLE | | 345650003 | |
| | | | | | | | | | | | 52 | 51 | 50 | - | 47 | - | 45 | - | 43 | 42 | 41 | 40 | - | 38 | - | 36 | - | 34 | - | | | | |
| | | | | | | | | | | | | | | | 32 | 31 | 30 | - | - | 27 | 26 | 25 | 24 | - | 22 | - | 20 | 19 | - | | | | - |
| MX123 CONN ASSY 73 CKT GRY OPT0 KEY B/22 | 345667313 | C-HSG-B0 | G-CAP-0-P | TPA-B0 | RS | LS | MAL | CPA | MSEAL | RSEAL | - | 71 | 70 | 69 | 68 | - | 66 | 65 | 64 | 63 | - | - | 60 | 59 | 58 | 57 | 56 | - | 54 | 53 | SALEABLE | | 345650003 |
| | | | | | | | | | | | - | 51 | 50 | 49 | - | - | - | 45 | 44 | - | 42 | 41 | - | 39 | 38 | 37 | 36 | 35 | 34 | 33 | | | |
| | | | | | | | | | | | | | | | 32 | 31 | - | 29 | 28 | 27 | 26 | 25 | 24 | 23 | - | - | - | - | - | 17 | | | |
| MX123 CONN ASSY 73 CKT GRY OPT9 KEY B/66 | 345667333 | C-HSG-B9 | G-CAP-9-P | TPA-B9 | RS | LS | MAL | CPA | MSEAL | RSEAL | - | - | - | - | - | - | - | - | - | - | - | - | - | 58 | - | - | - | 54 | 53 | SALEABLE | | 345650003 | |
| | | | | | | | | | | | - | - | - | - | - | - | - | - | - | - | 42 | - | - | - | - | - | - | - | - | | | | - |
| | | | | | | | | | | | | | | | - | - | - | - | - | 27 | - | 25 | - | - | - | - | - | - | - | | | | - |
| MX123 CONN ASSY 73 CKT GRY OPT9 KEY B/33 | 345667343 | C-HSG-B9 | G-CAP-9-P | TPA-B9 | RS | LS | MAL | CPA | MSEAL | RSEAL | 72 | 71 | 70 | 69 | - | - | 66 | 65 | - | - | 62 | 61 | 60 | - | - | 57 | 56 | - | - | 53 | SALEABLE | | 345650003 |
| | | | | | | | | | | | 52 | 51 | 50 | 49 | 48 | 47 | - | - | - | - | 42 | 41 | 40 | - | - | 37 | 36 | - | 34 | 33 | | | |
| | | | | | | | | | | | | | | | - | 31 | - | - | - | - | 26 | 25 | 24 | - | - | 21 | 20 | - | 18 | - | | | |
| MX123 CONN ASSY 73 CKT BLU OPT9 KEY C/40 | 345667353 | C-HSG-C9 | G-CAP-9-P | TPA-C9 | RS | LS | MAL | CPA | MSEAL | RSEAL | 72 | 71 | 70 | - | 68 | - | - | 65 | - | 63 | - | 61 | - | 59 | 58 | - | 56 | - | - | 53 | SALEABLE | | 345650003 |
| | | | | | | | | | | | - | - | - | 49 | - | - | - | - | - | 43 | - | 41 | 40 | 39 | 38 | - | 36 | - | - | - | | | |
| | | | | | | | | | | | | | | | - | 31 | 30 | 29 | - | - | - | 25 | 24 | 23 | 22 | 21 | 20 | - | - | - | | | |
| MX123 CONN ASSY 73 CKT GRY OPT0 KEY B/24 | 345667363 | C-HSG-B0 | G-CAP-0-P | TPA-B0 | RS | LS | MAL | CPA | MSEAL | RSEAL | - | 71 | - | 69 | - | 67 | 66 | 65 | 64 | 63 | - | - | - | - | 58 | 57 | 56 | - | 54 | 53 | SALEABLE | | 345650003 |
| | | | | | | | | | | | - | 51 | 50 | 49 | 48 | 47 | - | 45 | - | - | 42 | - | - | 39 | 38 | 37 | 36 | 35 | 34 | 33 | | | |
| | | | | | | | | | | | | | | | 32 | 31 | 30 | 29 | 28 | 27 | 26 | 25 | 24 | 23 | 22 | 21 | - | - | - | - | | | |
| MX123 CONN ASSY 73 CKT BLK OPT0 KEY A/52 | 345667373 | C-HSG-A0 | G-CAP-0-P | TPA-A0 | RS | LS | MAL | CPA | MSEAL | RSEAL | - | - | - | - | - | 67 | - | - | - | 63 | 62 | - | - | 59 | 58 | - | - | 55 | - | - | SALEABLE | | 345650003 |
| | | | | | | | | | | | - | - | - | - | - | 47 | - | - | - | - | 41 | - | - | - | - | - | 35 | - | - | | | | |
| | | | | | | | | | | | | | | | 32 | - | - | - | - | 27 | - | - | 24 | - | - | - | - | 19 | 18 | 17 | | | |
| | | | | 16 | - | - | - | - | 11 | 10 | - | 8 | - | - | - | - | 3 | - | 1 | | | | | | | | | | | | | | |

| ASSEMBLY DESCRIPTION | ASSEMBLY PART NUMBER | CONNECTOR HOUSING | GROMMET CAP | TPA | RIGHT SLIDE | LEFT SLIDE | MATE ASSIST LEVER | CPA | MAT SEAL | RING SEAL | BLOCKED TERMINALS | | | | | | | | | | | | | | | | | | | | STATUS | COMMENTS | INTEGRAL COMPONENTS SOLD SEPARATELY | |
|--|----------------------|-------------------|-------------|--------|-------------|------------|-------------------|-----|----------|-----------|--|----|----|----|----|----|----|----|----|----|----|----|----|----|----|----|----|----|----|----|----------|----------|-------------------------------------|----|
| | | | | | | | | | | | CAVITY WITH A NUMBER INDICATES BLOCKED TERMINAL POSITION | | | | | | | | | | | | | | | | | | | | | | DRESS COVER | |
| | | | | | | | | | | | CAVITY WITHOUT A NUMBER INDICATES OPEN TERMINAL POSITION | | | | | | | | | | | | | | | | | | | | | | | |
| MX123 CONN ASSY 73 CKT BLU OPT0 KEY C/38 | 345667383 | C-HSG-C0 | G-CAP-0-P | TPA-C0 | RS | LS | MAL | CPA | MSEAL | RSEAL | 72 | - | - | 69 | 68 | - | - | - | - | 63 | 62 | - | - | 59 | 58 | - | 56 | 55 | - | 53 | SALEABLE | | 345650003 | |
| | | | | | | | | | | | - | - | - | - | - | - | 46 | - | - | 43 | 42 | - | 40 | 39 | 38 | - | 36 | 35 | - | - | | | | |
| | | | | | | | | | | | - | - | - | - | - | 31 | 30 | 29 | - | - | 26 | - | 24 | 23 | 22 | 21 | 20 | 19 | 18 | - | | | | - |
| MX123 CONN ASSY 73 CKT GRY OPT0 KEY B/19 | 345667393 | C-HSG-B0 | G-CAP-0-P | TPA-B0 | RS | LS | MAL | CPA | MSEAL | RSEAL | - | 71 | 70 | 69 | 68 | 67 | 66 | 65 | 64 | 63 | - | - | 60 | 59 | 58 | 57 | 56 | - | 54 | 53 | SALEABLE | | 345650003 | |
| | | | | | | | | | | | - | 51 | 50 | 49 | - | - | - | 45 | - | - | 42 | 41 | - | 39 | 38 | 37 | 36 | 35 | 34 | 33 | | | | |
| | | | | | | | | | | | - | - | - | - | 32 | 31 | 30 | 29 | 28 | 27 | 26 | 25 | 24 | 23 | 22 | 21 | - | - | - | - | | | | 17 |
| MX123 CONN ASSY 73 CKT GRY OPT0 KEY B/52 | 345667403 | C-HSG-B0 | G-CAP-0-P | TPA-B0 | RS | LS | MAL | CPA | MSEAL | RSEAL | 72 | 71 | 70 | 69 | 68 | 67 | 66 | 65 | 64 | 63 | 62 | 61 | 60 | - | 58 | - | 56 | - | 54 | - | SALEABLE | | 345650003 | |
| | | | | | | | | | | | 52 | 51 | - | - | - | 47 | - | 45 | 44 | 43 | 42 | 41 | 40 | - | 38 | - | 36 | - | 34 | - | | | | |
| | | | | | | | | | | | - | - | - | - | 32 | 31 | 30 | - | 28 | 27 | 26 | 25 | 24 | - | 22 | - | 20 | 19 | 18 | 17 | | | | - |
| MX123 CONN ASSY 73 CKT BLK OPT0 KEY A/53 | 345667413 | C-HSG-A0 | G-CAP-0-P | TPA-A0 | RS | LS | MAL | CPA | MSEAL | RSEAL | - | - | - | - | - | 67 | - | - | - | - | 62 | - | - | 59 | 58 | - | - | 55 | - | - | SALEABLE | | 345650003 | |
| | | | | | | | | | | | 52 | - | - | - | - | 47 | - | - | - | - | - | 41 | - | - | - | - | 35 | - | - | - | | | | |
| | | | | | | | | | | | - | - | - | - | - | - | - | - | - | 27 | - | - | 24 | - | - | - | - | 19 | 18 | 17 | | | | - |
| MX123 CONN ASSY 73 CKT BLU OPT0 KEY C/38 | 345667423 | C-HSG-C0 | G-CAP-0-P | TPA-C0 | RS | LS | MAL | CPA | MSEAL | RSEAL | 72 | 71 | - | - | 68 | - | 66 | 65 | - | 63 | 62 | - | - | 59 | 58 | - | 56 | 55 | - | 53 | SALEABLE | | 345650003 | |
| | | | | | | | | | | | - | - | - | - | - | - | - | - | - | 43 | 42 | - | 40 | 39 | 38 | - | 36 | 35 | - | - | | | | |
| | | | | | | | | | | | - | - | - | - | - | 31 | 30 | 29 | - | - | 26 | - | 24 | 23 | 22 | 21 | 20 | 19 | - | - | | | | - |
| MX123 CONN ASSY 73 CKT GRY OPT0 KEY B/31 | 345667433 | C-HSG-B0 | G-CAP-0-P | TPA-B0 | RS | LS | MAL | CPA | MSEAL | RSEAL | - | 71 | 70 | 69 | - | 67 | 66 | 65 | 64 | 63 | - | - | - | - | 58 | 57 | 56 | - | 54 | 53 | SALEABLE | | 345650003 | |
| | | | | | | | | | | | - | 51 | 50 | 49 | - | - | - | 45 | - | - | 42 | - | - | 39 | - | - | - | - | 34 | 33 | | | | - |
| | | | | | | | | | | | - | - | - | - | 32 | 31 | - | 29 | 28 | 27 | 26 | 25 | 24 | 23 | 22 | 21 | - | - | - | - | | | | - |
| MX123 CONN ASSY 73 CKT BLK OPT0 KEY A/50 | 345667443 | C-HSG-A0 | G-CAP-0-P | TPA-A0 | RS | LS | MAL | CPA | MSEAL | RSEAL | - | - | - | - | - | 67 | - | - | - | - | 62 | 61 | - | 59 | 58 | - | - | 55 | - | 53 | SALEABLE | | 345650003 | |
| | | | | | | | | | | | - | - | - | - | - | 47 | - | - | - | - | - | 41 | - | - | - | - | 35 | - | 33 | - | | | | - |
| | | | | | | | | | | | - | - | - | - | 32 | - | - | - | - | 27 | - | - | 24 | - | - | - | - | 19 | 18 | 17 | | | | - |
| MX123 CONN ASSY 73 CKT BLU OPT0 KEY C/41 | 345667453 | C-HSG-C0 | G-CAP-0-P | TPA-C0 | RS | LS | MAL | CPA | MSEAL | RSEAL | 72 | - | - | 69 | 68 | - | - | - | - | 63 | 62 | - | - | 59 | - | - | 56 | 55 | - | 53 | SALEABLE | | 345650003 | |
| | | | | | | | | | | | - | - | - | - | - | - | 46 | - | - | 43 | 42 | - | 40 | 39 | - | - | 36 | 35 | - | - | | | | |
| | | | | | | | | | | | - | - | - | - | - | 31 | 30 | 29 | - | - | 26 | - | 24 | 23 | 22 | 21 | 20 | 19 | - | - | | | | - |
| MX123 CONN ASSY 73 CKT GRY OPT0 KEY B/25 | 345667463 | C-HSG-B0 | G-CAP-0-P | TPA-B0 | RS | LS | MAL | CPA | MSEAL | RSEAL | - | 71 | 70 | 69 | - | 67 | 66 | 65 | 64 | 63 | - | - | 60 | 59 | 58 | 57 | 56 | - | 54 | 53 | SALEABLE | | 345650003 | |
| | | | | | | | | | | | - | 51 | 50 | 49 | - | - | - | 45 | 44 | - | 42 | 41 | - | 39 | 38 | 37 | 36 | 35 | 34 | 33 | | | | - |
| | | | | | | | | | | | - | - | - | - | 32 | 31 | - | 29 | 28 | 27 | 26 | 25 | 24 | 23 | - | - | - | - | - | - | | | | - |
| MX123 CONN ASSY 73 CKT GRY OPT0 KEY B/27 | 345667473 | C-HSG-B0 | G-CAP-0-P | TPA-B0 | RS | LS | MAL | CPA | MSEAL | RSEAL | - | 71 | 70 | 69 | - | - | 66 | 65 | 64 | - | - | - | 60 | 59 | 58 | 57 | 56 | - | 54 | 53 | SALEABLE | | 345650003 | |
| | | | | | | | | | | | - | 51 | 50 | 49 | - | - | - | 45 | 44 | - | 42 | 41 | - | 39 | 38 | 37 | 36 | 35 | 34 | 33 | | | | - |
| | | | | | | | | | | | - | - | - | - | 32 | 31 | - | 29 | 28 | - | 26 | 25 | 24 | 23 | - | - | - | - | - | - | | | | - |
| MX123 CONN ASSY 73 CKT GRY OPT0 KEY B/26 | 345667483 | C-HSG-B0 | G-CAP-0-P | TPA-B0 | RS | LS | MAL | CPA | MSEAL | RSEAL | - | 71 | 70 | 69 | - | 67 | 66 | 65 | 64 | 63 | - | - | 60 | 59 | 58 | 57 | 56 | - | 54 | 53 | SALEABLE | | 345650003 | |
| | | | | | | | | | | | - | 51 | 50 | 49 | - | - | - | 45 | 44 | - | 42 | 41 | - | 39 | 38 | 37 | 36 | 35 | 34 | 33 | | | | - |
| | | | | | | | | | | | - | - | - | - | 32 | 31 | - | 29 | 28 | 27 | 26 | 25 | 24 | 23 | - | - | - | - | - | - | | | | - |
| MX123 CONN ASSY 73 CKT BLU OPT0 KEY C/39 | 345667493 | C-HSG-C0 | G-CAP-0-P | TPA-C0 | RS | LS | MAL | CPA | MSEAL | RSEAL | 72 | 71 | 70 | - | 68 | - | 66 | 65 | - | 63 | - | 61 | - | 59 | 58 | - | 56 | - | - | 53 | SALEABLE | | 345650003 | |
| | | | | | | | | | | | - | - | - | 49 | - | - | - | - | - | 43 | - | 41 | 40 | 39 | 38 | - | 36 | - | - | - | | | | - |
| | | | | | | | | | | | - | - | - | - | - | 31 | 30 | 29 | - | - | - | - | 25 | 24 | 23 | 22 | 21 | 20 | - | - | | | | - |

| ASSEMBLY DESCRIPTION | ASSEMBLY PART NUMBER | CONNECTOR HOUSING | GROMMET CAP | TPA | RIGHT SLIDE | LEFT SLIDE | MATE ASSIST LEVER | CPA | MAT SEAL | RING SEAL | BLOCKED TERMINALS | | | | | | | | | | | | | | | | | | | | STATUS | COMMENTS | INTEGRAL COMPONENTS SOLD SEPARATELY | | | | | | | | | | | |
|--|----------------------|-------------------|-------------|--------|-------------|------------|-------------------|-----|----------|-----------|--|----|----|----|----|----|----|----|----|----|----|----|----|----|----|----|----|----|----|----|--------|----------|-------------------------------------|---|---|---|---|---|---|---|---|---|---|---|
| | | | | | | | | | | | CAVITY WITH A NUMBER INDICATES BLOCKED TERMINAL POSITION | | | | | | | | | | | | | | | | | | | | | | DRESS COVER | | | | | | | | | | | |
| | | | | | | | | | | | CAVITY WITHOUT A NUMBER INDICATES OPEN TERMINAL POSITION | | | | | | | | | | | | | | | | | | | | | | | | | | | | | | | | | |
| MX123 CONN ASSY 73 CKT BLK OPT0 KEY A/8 | 345667503 | C-HSG-A0 | G-CAP-0-P | TPA-A0 | RS | LS | MAL | CPA | MSEAL | RSEAL | - | - | - | - | - | - | - | - | - | 65 | - | - | - | 61 | - | - | - | - | - | - | - | - | - | - | - | - | - | | | | | | | |
| | | | | | | | | | | | - | - | - | - | - | - | - | - | 45 | - | - | - | 41 | - | - | - | - | - | - | - | - | - | - | - | - | - | - | - | - | - | - | - | - | - |
| | | | | | | | | | | | - | - | - | - | - | - | - | - | - | - | - | 26 | 25 | - | - | - | - | - | - | - | - | - | - | - | - | - | - | - | - | - | - | - | - | - |
| MX123 CONN ASSY 73 CKT BLK OPT9 KEY A/50 | 345667513 | C-HSG-A9 | G-CAP-9-P | TPA-A9 | RS | LS | MAL | CPA | MSEAL | RSEAL | - | - | - | - | - | 67 | - | - | - | - | 62 | - | - | 59 | 58 | - | - | 55 | - | - | - | - | - | - | - | | | | | | | | | |
| | | | | | | | | | | | - | - | - | - | - | 47 | - | - | - | - | 42 | 41 | - | - | - | - | - | 35 | - | - | - | - | - | - | - | - | - | - | - | - | - | - | - | |
| | | | | | | | | | | | - | - | - | - | - | - | - | - | - | - | 27 | 26 | 25 | 24 | - | - | - | - | 19 | 18 | 17 | - | - | - | - | - | - | - | - | - | - | - | - | |
| MX123 CONN ASSY 73 CKT BLK OPT0 KEY A/37 | 345667523 | C-HSG-A0 | G-CAP-0-P | TPA-A0 | RS | LS | MAL | CPA | MSEAL | RSEAL | - | 71 | 70 | 69 | 68 | 67 | 66 | 65 | - | 63 | - | - | 60 | - | - | - | - | - | - | - | 53 | - | - | - | - | - | - | - | | | | | | |
| | | | | | | | | | | | - | - | 50 | 49 | - | - | - | - | 44 | - | 42 | - | - | 39 | 38 | - | 36 | 35 | 34 | - | - | - | - | - | - | - | - | - | - | - | - | - | - | - |
| | | | | | | | | | | | - | - | - | - | - | 31 | - | - | 28 | - | - | - | - | 23 | 22 | 21 | - | 19 | 18 | 17 | - | - | - | - | - | - | - | - | - | - | - | - | - | - |
| MX123 CONN ASSY 73 CKT BLK OPT0 KEY A/1 | 345667543 | C-HSG-A0 | G-CAP-0-P | TPA-A0 | RS | LS | MAL | CPA | MSEAL | RSEAL | 72 | 71 | 70 | 69 | 68 | 67 | 66 | 65 | 64 | 63 | 62 | 61 | 60 | 59 | 58 | 57 | 56 | 55 | 54 | 53 | | | | | | | | | | | | | | |
| | | | | | | | | | | | 52 | 51 | 50 | 49 | 48 | 47 | 46 | 45 | 44 | 43 | 42 | 41 | 40 | 39 | 38 | 37 | 36 | 35 | 34 | 33 | - | - | - | - | - | - | - | - | - | - | - | - | - | - |
| | | | | | | | | | | | - | - | - | - | 32 | 31 | 30 | 29 | 28 | 27 | 26 | 25 | 24 | 23 | 22 | 21 | 20 | 19 | 18 | 17 | - | - | - | - | - | - | - | - | - | - | - | - | - | - |
| MX123 CONN ASSY 73 CKT GRY OPT0 KEY B/1 | 345667553 | C-HSG-B0 | G-CAP-0-P | TPA-B0 | RS | LS | MAL | CPA | MSEAL | RSEAL | 72 | 71 | 70 | 69 | 68 | 67 | 66 | 65 | 64 | 63 | 62 | 61 | 60 | 59 | 58 | 57 | 56 | 55 | 54 | 53 | | | | | | | | | | | | | | |
| | | | | | | | | | | | 52 | 51 | 50 | 49 | 48 | 47 | 46 | 45 | 44 | 43 | 42 | 41 | 40 | 39 | 38 | 37 | 36 | 35 | 34 | 33 | - | - | - | - | - | - | - | - | - | - | - | - | - | - |
| | | | | | | | | | | | - | - | - | - | 32 | 31 | 30 | 29 | 28 | 27 | 26 | 25 | 24 | 23 | 22 | 21 | 20 | 19 | 18 | 17 | - | - | - | - | - | - | - | - | - | - | - | - | - | - |
| MX123 CONN ASSY 73 CKT BLU OPT0 KEY C/1 | 345667563 | C-HSG-C0 | G-CAP-0-P | TPA-C0 | RS | LS | MAL | CPA | MSEAL | RSEAL | 72 | 71 | 70 | 69 | 68 | 67 | 66 | 65 | 64 | 63 | 62 | 61 | 60 | 59 | 58 | 57 | 56 | 55 | 54 | 53 | | | | | | | | | | | | | | |
| | | | | | | | | | | | 52 | 51 | 50 | 49 | 48 | 47 | 46 | 45 | 44 | 43 | 42 | 41 | 40 | 39 | 38 | 37 | 36 | 35 | 34 | 33 | - | - | - | - | - | - | - | - | - | - | - | - | - | - |
| | | | | | | | | | | | - | - | - | - | 32 | 31 | 30 | 29 | 28 | 27 | 26 | 25 | 24 | 23 | 22 | 21 | 20 | 19 | 18 | 17 | - | - | - | - | - | - | - | - | - | - | - | - | - | - |
| MX123 CONN ASSY 73 CKT GRY OPT0 KEY B/27 | 345667573 | C-HSG-B0 | G-CAP-0-P | TPA-B0 | RS | LS | MAL | CPA | MSEAL | RSEAL | - | 71 | - | 69 | - | 67 | 66 | 65 | 64 | 63 | - | - | 60 | 59 | 58 | 57 | 56 | - | 54 | 53 | | | | | | | | | | | | | | |
| | | | | | | | | | | | - | 51 | 50 | 49 | - | - | - | 45 | 44 | - | 42 | 41 | - | 39 | 38 | 37 | 36 | 35 | 34 | 33 | - | - | - | - | - | - | - | - | - | - | - | - | - | - |
| | | | | | | | | | | | - | - | - | - | 32 | 31 | - | 29 | 28 | 27 | 26 | 25 | 24 | 23 | - | - | - | - | - | - | - | - | - | - | - | - | - | - | - | - | - | - | - | - |
| MX123 CONN ASSY 73 CKT BLK OPT9 KEY A/37 | 345667583 | C-HSG-A9 | G-CAP-9-P | TPA-A9 | RS | LS | MAL | CPA | MSEAL | RSEAL | - | 71 | - | 69 | 68 | - | 66 | 65 | 64 | - | 62 | 61 | - | - | - | - | 56 | 55 | 54 | 53 | | | | | | | | | | | | | | |
| | | | | | | | | | | | - | 51 | 50 | 49 | - | - | - | 45 | 44 | - | 41 | - | - | - | - | 36 | 35 | 34 | 33 | - | - | - | - | - | - | - | - | - | - | - | - | - | - | - |
| | | | | | | | | | | | - | - | - | - | - | - | - | - | - | - | 26 | 25 | 24 | 23 | - | - | 20 | 19 | 18 | 17 | - | - | - | - | - | - | - | - | - | - | - | - | - | - |
| MX123 CONN ASSY 73 CKT BLK OPT9 KEY A/52 | 345667593 | C-HSG-A9 | G-CAP-9-P | TPA-A9 | RS | LS | MAL | CPA | MSEAL | RSEAL | - | 71 | - | - | - | 67 | 66 | 65 | - | 63 | - | - | 60 | - | - | - | - | - | - | - | | | | | | | | | | | | | | |
| | | | | | | | | | | | - | - | - | 49 | - | - | - | - | 44 | - | 42 | - | - | 39 | 38 | - | 36 | - | 34 | - | - | - | - | - | - | - | - | - | - | - | - | - | - | |
| | | | | | | | | | | | - | - | - | - | - | 31 | - | - | 28 | - | - | - | - | 23 | 22 | 21 | - | - | - | - | - | - | - | - | - | - | - | - | - | - | - | - | - | - |
| MX123 CONN ASSY 73 CKT GRY OPT0 KEY B/48 | 345667603 | C-HSG-B0 | G-CAP-0-P | TPA-B0 | RS | LS | MAL | CPA | MSEAL | RSEAL | 72 | 71 | 70 | - | - | 67 | - | 65 | 64 | 63 | 62 | 61 | 60 | - | 58 | - | 56 | - | 54 | - | | | | | | | | | | | | | | |
| | | | | | | | | | | | 52 | 51 | 50 | - | - | 47 | - | 45 | - | 43 | 42 | 41 | 40 | - | 38 | - | 36 | - | 34 | - | - | - | - | - | - | - | - | - | - | - | - | - | - | |
| | | | | | | | | | | | - | - | - | - | 32 | 31 | 30 | - | - | 27 | 26 | 25 | 24 | - | 22 | - | 20 | 19 | - | - | - | - | - | - | - | - | - | - | - | - | - | - | - | - |
| MX123 CONN ASSY 73 CKT BLK OPT9 KEY A/64 | 345667633 | C-HSG-A9 | G-CAP-9-P | TPA-A9 | RS | LS | MAL | CPA | MSEAL | RSEAL | - | - | - | - | - | - | - | - | - | - | 62 | 61 | - | - | - | - | - | - | - | - | | | | | | | | | | | | | | |
| | | | | | | | | | | | - | - | - | - | - | - | - | - | - | - | - | - | - | - | - | - | - | - | - | - | - | - | - | - | - | - | - | - | - | - | - | - | - | |
| | | | | | | | | | | | - | - | - | - | - | - | - | - | - | - | - | - | - | 24 | - | - | - | - | 19 | - | - | - | - | - | - | - | - | - | - | - | - | - | - | - |
| MX123 CONN ASSY 73 CKT GRY OPT9 KEY B/21 | 345667643 | C-HSG-B9 | G-CAP-9-P | TPA-B9 | RS | LS | MAL | CPA | MSEAL | RSEAL | 72 | 71 | 70 | 69 | - | - | 66 | 65 | - | 63 | 62 | 61 | 60 | - | - | 57 | 56 | 55 | 54 | 53 | | | | | | | | | | | | | | |
| | | | | | | | | | | | 52 | 51 | 50 | 49 | 48 | 47 | - | - | 44 | 43 | 42 | 41 | 40 | - | - | 37 | 36 | 35 | 34 | 33 | - | - | - | - | - | - | - | - | - | - | - | - | - | |
| | | | | | | | | | | | - | - | - | - | - | 31 | - | - | - | - | 26 | 25 | 24 | - | - | 21 | 20 | 19 | 18 | - | - | - | - | - | - | - | - | - | - | - | - | - | - | - |

| ASSEMBLY DESCRIPTION | ASSEMBLY PART NUMBER | CONNECTOR HOUSING | GROMMET CAP | TPA | RIGHT SLIDE | LEFT SLIDE | MATE ASSIST LEVER | CPA | MAT SEAL | RING SEAL | BLOCKED TERMINALS | | | | | | | | | | | | | | | | | | | | STATUS | COMMENTS | INTEGRAL COMPONENTS SOLD SEPARATELY |
|--|----------------------|-------------------|-------------|--------|-------------|------------|-------------------|-----|----------|-----------|--|----|----|----|----|----|----|----|----|----|----|----|----|----|----|----|----|----|----|----|--------|----------|-------------------------------------|
| | | | | | | | | | | | CAVITY WITH A NUMBER INDICATES BLOCKED TERMINAL POSITION | | | | | | | | | | | | | | | | | | | | | | DRESS COVER |
| | | | | | | | | | | | CAVITY WITHOUT A NUMBER INDICATES OPEN TERMINAL POSITION | | | | | | | | | | | | | | | | | | | | | | |
| MX123 CONN ASSY 73 CKT GRY OPT0 KEY B/24 | 345667653 | C-HSG-B0 | G-CAP-0-P | TPA-B0 | RS | LS | MAL | CPA | MSEAL | RSEAL | - | 71 | - | 69 | 68 | 67 | 66 | 65 | 64 | 63 | - | - | 60 | 59 | 58 | 57 | 56 | - | 54 | 53 | | | |
| | | | | | | | | | | | - | 51 | 50 | 49 | - | - | - | 45 | 44 | - | 42 | 41 | - | 39 | 38 | 37 | 36 | 35 | 34 | 33 | | | |
| | | | | | | | | | | | | | | | 32 | 31 | - | 29 | 28 | 27 | 26 | 25 | 24 | 23 | - | - | - | - | - | - | 17 | | |
| | | | | | | | | | | | | | | | - | - | - | 13 | 12 | 11 | 10 | 9 | 8 | 7 | - | 5 | - | 3 | - | 1 | | | |
| MX123 CONN ASSY 73 CKT GRY OPT0 KEY B/36 | 345667663 | C-HSG-B0 | G-CAP-0-P | TPA-B0 | RS | LS | MAL | CPA | MSEAL | RSEAL | - | 71 | - | 69 | - | 67 | 66 | 65 | 64 | 63 | - | - | - | - | 58 | 57 | 56 | - | 54 | 53 | | | |
| | | | | | | | | | | | - | 51 | 50 | 49 | - | - | - | 45 | - | - | 42 | - | - | 39 | - | - | - | - | - | 34 | - | | |
| | | | | | | | | | | | | | | | 32 | 31 | - | 29 | 28 | 27 | 26 | 25 | 24 | 23 | - | - | - | - | - | - | - | | |
| | | | | | | | | | | | | | | | - | - | - | 13 | 12 | 11 | 10 | 9 | - | 7 | - | 5 | - | 3 | 2 | - | | | |
| MX123 CONN ASSY 73 CKT BLU OPT0 KEY C/46 | 345667673 | C-HSG-C0 | G-CAP-0-P | TPA-C0 | RS | LS | MAL | CPA | MSEAL | RSEAL | 72 | - | - | - | 68 | - | - | - | - | 63 | 62 | - | - | - | - | 56 | 55 | - | 53 | | | | |
| | | | | | | | | | | | - | - | - | - | - | - | - | - | - | 43 | 42 | - | 40 | - | - | - | 36 | 35 | - | - | | | |
| | | | | | | | | | | | | | | | - | 31 | 30 | 29 | - | - | 26 | - | 24 | - | 22 | 21 | 20 | 19 | - | - | | | |
| | | | | | | | | | | | | | | | - | - | - | - | - | - | - | - | - | - | 6 | 5 | 4 | 3 | 2 | 1 | | | |
| MX123 CONN ASSY 73 CKT GRY OPT9 KEY B/67 | 345667683 | C-HSG-B9 | G-CAP-9-P | TPA-B9 | RS | LS | MAL | CPA | MSEAL | RSEAL | - | - | - | - | - | - | - | - | - | - | - | - | - | - | 58 | - | - | - | 54 | 53 | | | |
| | | | | | | | | | | | - | - | - | - | - | - | - | - | - | - | 42 | - | - | - | - | - | - | - | - | - | - | | |
| | | | | | | | | | | | | | | | - | - | - | - | - | 27 | - | - | - | - | - | - | - | - | - | - | - | | |
| | | | | | | | | | | | | | | | - | - | - | - | - | - | 10 | - | - | - | - | - | - | - | - | - | - | | |
| MX123 CONN ASSY 73 CKT BLK OPT9 KEY A/31 | 345667693 | C-HSG-A9 | G-CAP-9-P | TPA-A9 | RS | LS | MAL | CPA | MSEAL | RSEAL | - | 71 | 70 | 69 | 68 | 67 | 66 | 65 | - | 63 | - | - | 60 | 59 | 58 | - | - | - | - | 53 | | | |
| | | | | | | | | | | | - | - | 50 | 49 | 48 | 47 | - | - | 44 | - | 42 | 41 | - | 39 | 38 | - | 36 | - | - | 33 | | | |
| | | | | | | | | | | | | | | | - | 31 | - | - | 28 | - | 26 | - | 24 | 23 | 22 | 21 | - | 19 | 18 | 17 | | | |
| | | | | | | | | | | | | | | | - | - | 14 | - | 12 | - | - | - | 8 | 7 | 6 | 5 | - | 3 | 2 | 1 | | | |
| MX123 CONN ASSY 73 CKT BLK OPT0 KEY A/26 | 345667703 | C-HSG-A0 | G-CAP-0-P | TPA-A0 | RS | LS | MAL | CPA | MSEAL | RSEAL | - | - | - | - | - | - | 65 | - | - | - | 61 | - | - | 58 | 57 | 56 | - | - | - | | | | |
| | | | | | | | | | | | - | 51 | 50 | - | - | 47 | 46 | 45 | - | - | - | 41 | - | - | 38 | 37 | 36 | - | - | - | | | |
| | | | | | | | | | | | | | | | - | 31 | 30 | - | 28 | - | 26 | 25 | - | - | 22 | 21 | 20 | - | - | - | | | |
| | | | | | | | | | | | | | | | - | 15 | 14 | - | - | - | 10 | - | - | - | - | - | - | - | - | - | | | |
| MX123 CONN ASSY 73 CKT BLK OPT9 KEY A/35 | 345667713 | C-HSG-A9 | G-CAP-9-P | TPA-A9 | RS | LS | MAL | CPA | MSEAL | RSEAL | - | 71 | 70 | 69 | 68 | 67 | 66 | 65 | - | 63 | - | - | 60 | 59 | - | - | - | - | 53 | | | | |
| | | | | | | | | | | | - | - | 50 | 49 | - | 47 | - | - | 44 | - | 42 | - | - | 39 | 38 | - | 36 | - | - | 33 | | | |
| | | | | | | | | | | | | | | | - | 31 | - | - | 28 | - | 26 | - | 24 | 23 | 22 | 21 | - | 19 | 18 | 17 | | | |
| | | | | | | | | | | | | | | | - | - | 14 | - | 12 | - | - | - | 8 | 7 | 6 | 5 | - | - | 2 | 1 | | | |
| MX123 CONN ASSY 73 CKT BLK OPT9 KEY A/30 | 345667723 | C-HSG-A9 | G-CAP-9-P | TPA-A9 | RS | LS | MAL | CPA | MSEAL | RSEAL | - | 71 | 70 | 69 | 68 | 67 | 66 | 65 | - | 63 | - | - | 60 | 59 | 58 | - | - | - | - | | | | |
| | | | | | | | | | | | - | - | 50 | 49 | 48 | 47 | - | - | 44 | - | 42 | 41 | - | 39 | 38 | - | 36 | 35 | 34 | 33 | | | |
| | | | | | | | | | | | | | | | - | 31 | - | - | 28 | - | 26 | - | 24 | 23 | 22 | 21 | - | 19 | 18 | 17 | | | |
| | | | | | | | | | | | | | | | - | - | 14 | - | 12 | - | - | - | 8 | 7 | 6 | 5 | - | 3 | 2 | 1 | | | |
| MX123 CONN ASSY 73 CKT BLK OPT9 KEY A/34 | 345667733 | C-HSG-A9 | G-CAP-9-P | TPA-A9 | RS | LS | MAL | CPA | MSEAL | RSEAL | - | 71 | 70 | 69 | 68 | 67 | 66 | 65 | - | 63 | - | - | 60 | 59 | - | - | - | - | | | | | |
| | | | | | | | | | | | - | - | 50 | 49 | - | 47 | - | - | 44 | - | 42 | - | - | 39 | 38 | - | 36 | 35 | 34 | 33 | | | |
| | | | | | | | | | | | | | | | - | 31 | - | - | 28 | - | 26 | - | 24 | 23 | 22 | 21 | - | 19 | 18 | 17 | | | |
| | | | | | | | | | | | | | | | - | - | 14 | - | 12 | - | - | - | 8 | 7 | 6 | 5 | - | - | 2 | 1 | | | |
| MX123 CONN ASSY 73 CKT BLU OPT0 KEY C/45 | 345667743 | C-HSG-C0 | G-CAP-0-P | TPA-C0 | RS | LS | MAL | CPA | MSEAL | RSEAL | - | 71 | - | 69 | - | - | - | 65 | 64 | - | - | 61 | 60 | - | 58 | - | 56 | 55 | 54 | - | | | |
| | | | | | | | | | | | - | - | 50 | - | - | - | - | 45 | - | 43 | 42 | - | - | - | 38 | - | - | - | - | - | | | |
| | | | | | | | | | | | | | | | - | 31 | - | 29 | 28 | - | - | - | - | 23 | - | - | - | 19 | 18 | 17 | | | |
| | | | | | | | | | | | | | | | 16 | - | - | - | 12 | 11 | - | - | - | 7 | - | - | - | 3 | - | 1 | | | |
| MX123 CONN ASSY 73 CKT BLK OPT0 KEY A/51 | 345667753 | C-HSG-A0 | G-CAP-0-P | TPA-A0 | RS | LS | MAL | CPA | MSEAL | RSEAL | 72 | - | - | - | - | - | 66 | 65 | - | - | - | - | - | - | - | - | - | - | | | | | |
| | | | | | | | | | | | - | - | - | - | 48 | 47 | 46 | - | - | - | - | 40 | - | - | - | - | 35 | - | 33 | | | | |
| | | | | | | | | | | | | | | | - | - | 30 | - | - | - | - | 24 | 23 | 22 | 21 | 20 | - | - | 17 | | | | |
| | | | | | | | | | | | | | | | - | - | - | - | - | - | - | - | 7 | 6 | 5 | 4 | - | 2 | 1 | | | | |
| MX123 CONN ASSY 73 CKT NAT OPT0 KEY F/1 | 345667763 | C-HSG-F0 | G-CAP-0-P | TPA-F0 | RS | LS | MAL | CPA | MSEAL | RSEAL | 72 | 71 | 70 | 69 | 68 | 67 | 66 | 65 | 64 | 63 | 62 | 61 | 60 | 59 | 58 | 57 | 56 | 55 | 54 | 53 | | | |
| | | | | | | | | | | | 52 | 51 | 50 | 49 | 48 | 47 | 46 | 45 | 44 | 43 | 42 | 41 | 40 | 39 | 38 | 37 | 36 | 35 | 34 | 33 | | | |
| | | | | | | | | | | | | | | | 32 | 31 | 30 | 29 | 28 | 27 | 26 | 25 | 24 | 23 | 22 | 21 | 20 | 19 | 18 | 17 | | | |
| | | | | | | | | | | | | | | | 16 | 15 | 14 | 13 | 12 | 11 | 10 | 9 | 8 | 7 | 6 | 5 | 4 | 3 | 2 | 1 | | | |

| ASSEMBLY DESCRIPTION | ASSEMBLY PART NUMBER | CONNECTOR HOUSING | GROMMET CAP | TPA | RIGHT SLIDE | LEFT SLIDE | MATE ASSIST LEVER | CPA | MAT SEAL | RING SEAL | BLOCKED TERMINALS | | | | | | | | | | | | | | | | | | | STATUS | COMMENTS | INTEGRAL COMPONENTS SOLD SEPARATELY | | |
|--|----------------------|-------------------|-------------|--------|-------------|------------|-------------------|-----|----------|-----------|--|----|----|----|----|----|----|----|----|----|----|----|----|----|----|----|----|----|----------|----------|-----------|-------------------------------------|-----------|----|
| | | | | | | | | | | | CAVITY WITH A NUMBER INDICATES BLOCKED TERMINAL POSITION | | | | | | | | | | | | | | | | | | | | | DRESS COVER | | |
| | | | | | | | | | | | CAVITY WITHOUT A NUMBER INDICATES OPEN TERMINAL POSITION | | | | | | | | | | | | | | | | | | | | | | | |
| MX123 CONN ASSY 73 CKT GRY OPT0 KEY B/25 | 345667773 | C-HSG-B0 | G-CAP-0-P | TPA-B0 | RS | LS | MAL | CPA | MSEAL | RSEAL | - | 71 | - | 69 | 68 | - | 66 | 65 | 64 | - | - | - | - | - | 58 | 57 | 56 | 55 | 54 | 53 | SALEABLE | | 345650003 | |
| | | | | | | | | | | | - | 51 | 50 | 49 | 48 | 47 | - | 45 | 44 | - | 42 | - | - | 39 | 38 | 37 | 36 | 35 | 34 | 33 | | | | |
| | | | | | | | | | | | | | | | 32 | 31 | 30 | 29 | 28 | - | 26 | 25 | 24 | 23 | - | - | - | - | - | - | | | | 17 |
| | | | | | | | | | | | | | | | - | 15 | - | 13 | 12 | - | 10 | 9 | 8 | 7 | - | 5 | - | 3 | 2 | 1 | | | | |
| MX123 CONN ASSY 73 CKT BLK OPT0 KEY A/51 | 345667783 | C-HSG-A0 | G-CAP-0-P | TPA-A0 | RS | LS | MAL | CPA | MSEAL | RSEAL | - | - | - | - | - | 67 | - | - | - | - | 62 | 61 | - | 59 | 58 | - | - | 55 | - | 53 | SALEABLE | | 345650003 | |
| | | | | | | | | | | | - | - | - | - | - | 47 | - | - | - | - | - | - | - | - | - | - | - | 35 | - | 33 | | | | |
| | | | | | | | | | | | | | | | - | - | - | - | - | 27 | - | - | 24 | - | - | - | 20 | 19 | 18 | 17 | | | | |
| | | | | | | | | | | | | | | | 16 | - | - | - | - | 11 | 10 | - | 8 | - | - | - | 4 | 3 | - | - | | | | |
| MX123 CONN ASSY 73 CKT BLK OPT0 KEY A/40 | 345667793 | C-HSG-A0 | G-CAP-0-P | TPA-A0 | RS | LS | MAL | CPA | MSEAL | RSEAL | - | 71 | - | 69 | 68 | - | - | - | 64 | - | 62 | 61 | - | - | - | - | - | 54 | 53 | SALEABLE | | 345650003 | | |
| | | | | | | | | | | | - | - | 50 | - | - | - | - | - | 44 | - | - | 41 | - | - | - | - | - | - | 34 | | | | 33 | |
| | | | | | | | | | | | | | | | 32 | 31 | 30 | 29 | - | - | 26 | 25 | 24 | - | - | - | 20 | 19 | - | | | | - | |
| | | | | | | | | | | | | | | | 16 | 15 | 14 | 13 | - | - | 10 | - | 8 | 7 | 6 | 5 | 4 | 3 | - | | | | - | |
| MX123 CONN ASSY 73 CKT BLK OPT0 KEY A/26 | 345667803 | C-HSG-A0 | G-CAP-0-P | TPA-A0 | RS | LS | MAL | CPA | MSEAL | RSEAL | - | - | - | 69 | - | 67 | - | 65 | - | - | - | - | - | - | 58 | 57 | 56 | - | - | - | SALEABLE | | 345650003 | |
| | | | | | | | | | | | - | 51 | 50 | - | - | 47 | - | 45 | - | - | - | 41 | - | - | 38 | 37 | 36 | - | - | - | | | | |
| | | | | | | | | | | | | | | | - | 31 | 30 | - | - | - | 26 | 25 | - | - | 22 | 21 | 20 | - | - | - | | | | |
| | | | | | | | | | | | | | | | - | 15 | - | - | - | - | 10 | - | - | - | - | 5 | 4 | - | - | - | | | | |
| MX123 CONN ASSY 73 CKT BLK OPT0 KEY A/50 | 345667813 | C-HSG-A0 | G-CAP-0-P | TPA-A0 | RS | LS | MAL | CPA | MSEAL | RSEAL | 72 | 71 | - | - | - | - | 66 | 65 | 64 | - | - | - | - | - | - | - | - | - | SALEABLE | | 345650003 | | | |
| | | | | | | | | | | | - | - | - | - | 48 | 47 | 46 | 45 | - | - | - | - | - | - | - | - | - | 35 | | | | - | 33 | |
| | | | | | | | | | | | | | | | - | 31 | 30 | - | - | - | - | 24 | 23 | 22 | - | 20 | - | - | | | | 17 | | |
| | | | | | | | | | | | | | | | - | - | - | - | - | - | - | - | - | 7 | 6 | - | 4 | - | | | | 2 | 1 | |
| MX123 CONN ASSY 73 CKT GRY OPT0 KEY B/32 | 345667823 | C-HSG-B0 | G-CAP-0-P | TPA-B0 | RS | LS | MAL | CPA | MSEAL | RSEAL | - | 71 | 70 | 69 | - | - | 66 | 65 | 64 | - | - | - | - | - | 58 | 57 | 56 | 55 | 54 | 53 | SALEABLE | | 345650003 | |
| | | | | | | | | | | | - | 51 | 50 | 49 | - | - | - | 45 | - | - | 42 | - | - | 39 | - | - | - | - | - | 34 | | | | 33 |
| | | | | | | | | | | | | | | | 32 | 31 | - | 29 | 28 | - | 26 | 25 | 24 | 23 | 22 | 21 | - | - | - | 17 | | | | |
| | | | | | | | | | | | | | | | - | 15 | - | 13 | 12 | - | 10 | 9 | - | 7 | 6 | 5 | - | 3 | 2 | - | | | | |
| MX123 CONN ASSY 73 CKT GRY OPT0 KEY B/64 | 345667833 | C-HSG-B0 | G-CAP-0-P | TPA-B0 | RS | LS | MAL | CPA | MSEAL | RSEAL | - | - | - | - | - | - | - | - | - | - | 62 | - | - | - | 58 | - | - | - | 54 | 53 | SALEABLE | | 345650003 | |
| | | | | | | | | | | | - | - | - | - | - | - | - | - | - | - | 42 | - | - | - | - | - | - | - | - | - | | | | |
| | | | | | | | | | | | | | | | - | - | - | - | - | 27 | - | - | - | - | - | - | - | - | - | - | | | | |
| | | | | | | | | | | | | | | | - | - | - | - | - | 11 | 10 | 9 | - | - | - | - | - | - | - | - | | | | |
| MX123 CONN ASSY 73 CKT BLU OPT9 KEY C/38 | 345667843 | C-HSG-C9 | G-CAP-9-P | TPA-C9 | RS | LS | MAL | CPA | MSEAL | RSEAL | 72 | - | 70 | 69 | 68 | - | 66 | - | - | 63 | - | - | - | 59 | - | - | 56 | 55 | - | 53 | SALEABLE | | 345650003 | |
| | | | | | | | | | | | - | - | - | - | - | - | 46 | - | - | 43 | - | - | 40 | 39 | - | - | 36 | 35 | - | - | | | | |
| | | | | | | | | | | | | | | | 32 | 31 | 30 | 29 | - | - | - | - | 24 | 23 | 22 | 21 | 20 | 19 | - | 17 | | | | |
| | | | | | | | | | | | | | | | - | - | - | - | - | - | - | - | 8 | 7 | 6 | 5 | 4 | 3 | 2 | 1 | | | | |
| MX123 CONN ASSY 73 CKT BLU OPT9 KEY C/41 | 345667853 | C-HSG-C9 | G-CAP-9-P | TPA-C9 | RS | LS | MAL | CPA | MSEAL | RSEAL | - | - | - | - | 68 | - | - | 65 | - | 63 | 62 | 61 | 60 | 59 | 58 | 57 | 56 | 55 | - | 53 | SALEABLE | | 345650003 | |
| | | | | | | | | | | | - | - | - | - | 48 | - | - | 45 | - | 43 | 42 | 41 | 40 | - | - | 37 | 36 | 35 | 34 | 33 | | | | |
| | | | | | | | | | | | | | | | 32 | 31 | - | - | - | - | - | - | - | - | - | 20 | 19 | 18 | - | | | | | |
| | | | | | | | | | | | | | | | - | - | - | - | - | - | - | - | - | - | - | - | 4 | 3 | 2 | 1 | | | | |
| MX123 CONN ASSY 73 CKT BLU OPT9 KEY C/41 | 345667863 | C-HSG-C9 | G-CAP-9-P | TPA-C9 | RS | LS | MAL | CPA | MSEAL | RSEAL | - | 71 | - | 69 | - | - | - | 65 | 64 | - | - | 61 | 60 | - | 58 | - | 56 | 55 | 54 | - | SALEABLE | | 345650003 | |
| | | | | | | | | | | | - | - | 50 | 49 | - | - | - | 45 | - | 43 | 42 | 41 | - | - | 38 | - | - | - | - | - | | | | |
| | | | | | | | | | | | | | | | - | 31 | - | 29 | 28 | - | - | - | - | 23 | - | - | 20 | 19 | 18 | 17 | | | | |
| | | | | | | | | | | | | | | | 16 | - | - | 13 | 12 | 11 | - | - | - | 7 | - | - | - | 3 | - | 1 | | | | |
| MX123 CONN ASSY 73 CKT BLK OPT9 KEY A/29 | 345667873 | C-HSG-A9 | G-CAP-9-P | TPA-A9 | RS | LS | MAL | CPA | MSEAL | RSEAL | 72 | - | 70 | - | 68 | 67 | 66 | - | - | 63 | 62 | - | - | 59 | - | 57 | - | - | - | 53 | SALEABLE | | 345650003 | |
| | | | | | | | | | | | 52 | 51 | - | 49 | 48 | 47 | 46 | - | 44 | - | - | 41 | 40 | 39 | - | 37 | 36 | - | 34 | 33 | | | | |
| | | | | | | | | | | | | | | | 32 | - | 30 | - | - | 27 | 26 | 25 | 24 | - | 22 | 21 | 20 | - | - | - | | | | |
| | | | | | | | | | | | | | | | - | 15 | 14 | 13 | - | - | 10 | 9 | 8 | 7 | 6 | 5 | 4 | - | 2 | - | | | | |
| MX123 CONN ASSY 73 CKT BLK OPT9 KEY A/30 | 345667883 | C-HSG-A9 | G-CAP-9-P | TPA-A9 | RS | LS | MAL | CPA | MSEAL | RSEAL | - | 71 | 70 | 69 | - | - | - | - | 64 | 63 | 62 | 61 | 60 | 59 | 58 | 57 | 56 | 55 | 54 | 53 | SALEABLE | | 345650003 | |
| | | | | | | | | | | | 52 | 51 | 50 | 49 | - | - | 46 | 45 | 44 | 43 | 42 | 41 | - | 39 | - | 37 | 36 | - | 34 | - | | | | |
| | | | | | | | | | | | | | | | 32 | - | - | 29 | 28 | 27 | 26 | - | - | - | - | - | - | - | 18 | - | | | | |
| | | | | | | | | | | | | | | | 16 | 15 | 14 | 13 | 12 | 11 | 10 | - | - | - | - | - | - | 3 | - | - | | | | |

| ASSEMBLY DESCRIPTION | ASSEMBLY PART NUMBER | CONNECTOR HOUSING | GROMMET CAP | TPA | RIGHT SLIDE | LEFT SLIDE | MATE ASSIST LEVER | CPA | MAT SEAL | RING SEAL | BLOCKED TERMINALS | | | | | | | | | | | | | | | | STATUS | COMMENTS | INTEGRAL COMPONENTS SOLD SEPARATELY | | |
|--|----------------------|-------------------|-------------|--------|-------------|------------|-------------------|-----|----------|-----------|--|----|----|----|----|----|----|----|----|----|----|----|----|----|----|----|--------|----------|-------------------------------------|----|----|
| | | | | | | | | | | | CAVITY WITH A NUMBER INDICATES BLOCKED TERMINAL POSITION | | | | | | | | | | | | | | | | | | DRESS COVER | | |
| | | | | | | | | | | | CAVITY WITHOUT A NUMBER INDICATES OPEN TERMINAL POSITION | | | | | | | | | | | | | | | | | | | | |
| MX123 CONN ASSY 73 CKT BLK OPT9 KEY A/51 | 345667893 | C-HSG-A9 | G-CAP-9-P | TPA-A9 | RS | LS | MAL | CPA | MSEAL | RSEAL | - | - | - | - | - | 67 | - | - | - | - | 62 | - | - | 59 | 58 | - | - | 55 | - | - | |
| | | | | | | | | | | | - | - | - | - | - | 47 | - | - | - | - | 41 | - | - | - | - | 35 | - | - | | | |
| | | | | | | | | | | | - | - | - | - | - | 27 | 26 | 25 | 24 | - | - | - | - | 19 | 18 | 17 | | | | | |
| | | | | | | | | | | | - | - | - | - | - | 11 | 10 | 9 | 8 | - | - | - | - | 3 | - | 1 | | | | | |
| MX123 CONN ASSY 73 CKT GRY OPT0 KEY B/39 | 345667903 | C-HSG-B0 | G-CAP-0-P | TPA-B0 | RS | LS | MAL | CPA | MSEAL | RSEAL | 72 | 71 | 70 | 69 | 68 | 67 | 66 | 65 | - | 63 | 62 | - | 60 | - | 58 | - | 56 | - | 54 | - | |
| | | | | | | | | | | | 52 | 51 | 50 | 49 | 48 | 47 | 46 | 45 | 44 | 43 | - | 41 | 40 | - | 38 | 37 | 36 | - | 34 | - | |
| | | | | | | | | | | | - | - | - | - | 32 | 31 | 30 | 29 | 28 | 27 | 26 | 25 | 24 | - | 22 | 21 | - | - | 18 | 17 | |
| | | | | | | | | | | | - | - | - | - | 16 | - | 14 | 13 | 12 | 11 | 10 | 9 | 8 | 7 | 6 | 5 | - | - | - | - | |
| MX123 CONN ASSY 73 CKT BLU OPT0 KEY C/37 | 345667923 | C-HSG-C0 | G-CAP-0-P | TPA-C0 | RS | LS | MAL | CPA | MSEAL | RSEAL | 72 | - | - | - | 69 | 68 | - | 66 | 65 | - | 63 | 62 | - | - | 59 | 58 | - | 56 | 55 | - | 53 |
| | | | | | | | | | | | - | - | - | - | - | - | 46 | - | - | 43 | 42 | - | 40 | 39 | 38 | - | 36 | 35 | - | - | |
| | | | | | | | | | | | - | - | - | - | - | 31 | 30 | 29 | - | - | 26 | - | 24 | 23 | 22 | 21 | 20 | 19 | - | - | |
| | | | | | | | | | | | - | - | - | - | - | - | - | - | - | - | - | - | - | - | 6 | 5 | 4 | 3 | 2 | 1 | |
| MX123 CONN ASSY 73 CKT BLK OPT0 KEY A/50 | 345667933 | C-HSG-A0 | G-CAP-0-P | TPA-A0 | RS | LS | MAL | CPA | MSEAL | RSEAL | - | - | - | - | - | 67 | - | - | - | - | 62 | - | - | 59 | 58 | - | - | 55 | - | - | |
| | | | | | | | | | | | - | - | - | - | - | 47 | - | - | - | - | 42 | 41 | - | - | - | - | 35 | - | - | | |
| | | | | | | | | | | | - | - | - | - | - | 27 | 26 | 25 | 24 | - | - | - | - | 19 | 18 | 17 | | | | | |
| | | | | | | | | | | | - | - | - | - | - | 11 | 10 | 9 | 8 | - | - | - | - | 3 | - | 1 | | | | | |
| MX123 CONN ASSY 73 CKT GRY OPT0 KEY B/32 | 345667943 | C-HSG-B0 | G-CAP-0-P | TPA-B0 | RS | LS | MAL | CPA | MSEAL | RSEAL | - | 71 | 70 | 69 | 68 | 67 | 66 | 65 | 64 | 63 | - | - | - | - | 58 | 57 | 56 | - | 54 | 53 | |
| | | | | | | | | | | | - | 51 | 50 | 49 | - | - | - | 45 | 44 | - | 42 | - | - | 39 | - | - | - | - | 34 | 33 | |
| | | | | | | | | | | | - | - | - | - | 32 | - | - | 29 | 28 | 27 | 26 | 25 | 24 | 23 | - | - | - | - | - | - | |
| | | | | | | | | | | | - | - | - | - | 13 | 12 | 11 | 10 | 9 | 8 | 7 | - | 5 | - | 3 | 2 | - | | | | |
| MX123 CONN ASSY 73 CKT GRY OPT0 KEY B/32 | 345667953 | C-HSG-B0 | G-CAP-0-P | TPA-B0 | RS | LS | MAL | CPA | MSEAL | RSEAL | - | 71 | 70 | 69 | 68 | 67 | 66 | 65 | 64 | 63 | - | - | - | - | 58 | 57 | 56 | - | 54 | 53 | |
| | | | | | | | | | | | - | 51 | 50 | 49 | - | - | - | 45 | 44 | - | 42 | - | - | 39 | - | - | - | - | 34 | 33 | |
| | | | | | | | | | | | - | - | - | - | 32 | - | - | 29 | 28 | 27 | 26 | 25 | 24 | 23 | - | - | - | - | - | - | |
| | | | | | | | | | | | - | - | - | - | 13 | 12 | 11 | 10 | 9 | 8 | 7 | - | 5 | - | 3 | 2 | - | | | | |
| MX123 CONN ASSY 73 CKT BLK OPT9 KEY A/54 | 345667963 | C-HSG-A9 | G-CAP-9-P | TPA-A9 | RS | LS | MAL | CPA | MSEAL | RSEAL | - | - | - | - | - | 67 | - | - | - | - | 62 | - | - | 59 | 58 | - | - | 55 | - | - | |
| | | | | | | | | | | | - | - | - | - | - | 47 | - | - | - | - | 41 | - | - | - | - | 35 | - | - | | | |
| | | | | | | | | | | | - | - | - | - | - | 27 | - | - | 24 | - | - | - | - | 19 | 18 | 17 | | | | | |
| | | | | | | | | | | | - | - | - | - | - | 11 | 10 | - | 8 | - | - | - | - | 3 | - | 1 | | | | | |
| MX123 CONN ASSY 73 CKT GRY OPT9 KEY B/36 | 345667973 | C-HSG-B9 | G-CAP-9-P | TPA-B9 | RS | LS | MAL | CPA | MSEAL | RSEAL | - | 71 | 70 | 69 | 68 | 67 | 66 | 65 | 64 | 63 | - | - | - | - | 58 | 57 | 56 | - | 54 | 53 | |
| | | | | | | | | | | | - | 51 | - | - | - | - | - | - | 44 | - | 42 | - | - | 39 | - | - | - | - | - | 33 | |
| | | | | | | | | | | | - | - | - | - | 32 | 31 | - | - | 28 | 27 | 26 | 25 | 24 | 23 | - | - | - | - | - | - | |
| | | | | | | | | | | | - | - | - | - | 13 | 12 | 11 | 10 | 9 | 8 | 7 | - | 5 | - | 3 | 2 | - | | | | |
| MX123 CONN ASSY 73 CKT GRY OPT9 KEY B/32 | 345667983 | C-HSG-B9 | G-CAP-9-P | TPA-B9 | RS | LS | MAL | CPA | MSEAL | RSEAL | - | 71 | 70 | 69 | 68 | 67 | 66 | 65 | 64 | 63 | - | - | - | - | 58 | 57 | 56 | - | 54 | 53 | |
| | | | | | | | | | | | - | 51 | - | - | - | - | - | - | 44 | - | 42 | - | - | 39 | 38 | 37 | 36 | 35 | - | - | |
| | | | | | | | | | | | - | - | - | - | 32 | 31 | - | - | 28 | 27 | 26 | 25 | 24 | 23 | - | - | - | - | - | - | |
| | | | | | | | | | | | - | - | - | - | 13 | 12 | 11 | 10 | 9 | 8 | 7 | - | 5 | - | 3 | 2 | 1 | | | | |
| MX123 CONN ASSY 73 CKT BLU OPT9 KEY C/39 | 345667993 | C-HSG-C9 | G-CAP-9-P | TPA-C9 | RS | LS | MAL | CPA | MSEAL | RSEAL | 72 | 71 | - | - | 68 | - | - | 65 | - | 63 | 62 | - | - | 59 | 58 | - | 56 | 55 | - | 53 | |
| | | | | | | | | | | | - | - | - | - | - | - | - | - | - | 43 | 42 | - | 40 | 39 | 38 | - | 36 | 35 | - | - | |
| | | | | | | | | | | | - | - | - | - | - | 31 | 30 | 29 | - | - | 26 | - | 24 | 23 | 22 | 21 | 20 | 19 | - | - | |
| | | | | | | | | | | | - | - | - | - | - | - | - | - | - | - | - | - | - | - | 6 | 5 | 4 | 3 | 2 | 1 | |
| MX123 CONN ASSY 73 CKT BLK OPT0 KEY A/33 | 345668003 | C-HSG-A0 | G-CAP-0-P | TPA-A0 | RS | LS | MAL | CPA | MSEAL | RSEAL | 72 | 71 | 70 | - | - | 67 | 66 | - | - | - | 62 | - | - | - | - | 57 | - | 55 | 54 | 53 | |
| | | | | | | | | | | | - | 51 | - | - | - | - | 46 | 45 | 44 | 43 | 42 | - | 40 | 39 | - | - | - | 35 | - | - | |
| | | | | | | | | | | | - | - | - | - | - | - | - | - | - | - | 26 | 25 | - | - | 22 | 21 | - | - | - | - | |
| | | | | | | | | | | | - | - | - | - | 15 | 14 | - | - | - | - | - | - | 8 | 7 | 6 | 5 | 4 | 3 | 2 | - | |
| MX123 CONN ASSY 73 CKT BLU OPT9 KEY C/38 | 345668013 | C-HSG-C9 | G-CAP-9-P | TPA-C9 | RS | LS | MAL | CPA | MSEAL | RSEAL | 72 | - | 70 | 69 | 68 | - | 66 | - | - | 63 | 62 | - | - | - | 58 | - | 56 | 55 | - | 53 | |
| | | | | | | | | | | | - | - | - | 49 | - | - | 46 | - | - | 43 | 42 | - | 40 | - | 38 | - | 36 | 35 | - | - | |
| | | | | | | | | | | | - | - | - | - | - | 31 | 30 | 29 | - | - | 26 | - | 24 | - | 22 | 21 | 20 | 19 | - | 17 | |
| | | | | | | | | | | | - | - | - | - | - | - | - | - | - | - | - | - | - | - | 6 | 5 | 4 | 3 | 2 | 1 | |

| ASSEMBLY DESCRIPTION | ASSEMBLY PART NUMBER | CONNECTOR HOUSING | GROMMET CAP | TPA | RIGHT SLIDE | LEFT SLIDE | MATE ASSIST LEVER | CPA | MAT SEAL | RING SEAL | BLOCKED TERMINALS | | | | | | | | | | | | | | | | | | STATUS | COMMENTS | INTEGRAL COMPONENTS SOLD SEPARATELY |
|--|----------------------|-------------------|-------------|--------|-------------|------------|-------------------|-----|----------|-----------|--|----|----|----|----|----|----|----|----|----|----|----|----|----|----|----|----|----|--------|----------|-------------------------------------|
| | | | | | | | | | | | CAVITY WITH A NUMBER INDICATES BLOCKED TERMINAL POSITION | | | | | | | | | | | | | | | | | | | | DRESS COVER |
| | | | | | | | | | | | CAVITY WITHOUT A NUMBER INDICATES OPEN TERMINAL POSITION | | | | | | | | | | | | | | | | | | | | |
| MX123 CONN ASSY 73 CKT BLU OPT9 KEY C/35 | 345668023 | C-HSG-C9 | G-CAP-9-P | TPA-C9 | RS | LS | MAL | CPA | MSEAL | RSEAL | - | 71 | 70 | - | - | 67 | 66 | 65 | 64 | - | - | 61 | 60 | - | 58 | 57 | - | - | 54 | - | |
| | | | | | | | | | | | 52 | 51 | 50 | 49 | 48 | 47 | - | 45 | 44 | - | - | 41 | - | - | 38 | 37 | - | - | 34 | 33 | |
| | | | | | | | | | | | | | | | 32 | - | - | - | 28 | 27 | - | 25 | - | - | - | - | - | - | - | 18 | 17 |
| | | | | | | | | | | | | | | | 16 | 15 | 14 | 13 | 12 | 11 | 10 | 9 | - | - | - | - | - | - | - | - | - |
| MX123 CONN ASSY 73 CKT GRY OPT9 KEY B/39 | 345668033 | C-HSG-B9 | G-CAP-9-P | TPA-B9 | RS | LS | MAL | CPA | MSEAL | RSEAL | 72 | - | - | - | 68 | - | - | - | - | - | 62 | 61 | 60 | 59 | - | - | - | 55 | - | 53 | |
| | | | | | | | | | | | 52 | - | - | - | 48 | 47 | 46 | - | 44 | 43 | - | 41 | 40 | - | 38 | 37 | 36 | 35 | - | - | |
| | | | | | | | | | | | | | | | - | - | 30 | - | - | - | - | - | - | - | 22 | 21 | 20 | 19 | 18 | 17 | |
| | | | | | | | | | | | | | | | 16 | 15 | 14 | - | - | - | - | - | 8 | - | 6 | - | 4 | - | - | - | 1 |
| MX123 CONN ASSY 73 CKT BLK OPT9 KEY A/28 | 345668043 | C-HSG-A9 | G-CAP-9-P | TPA-A9 | RS | LS | MAL | CPA | MSEAL | RSEAL | 72 | 71 | 70 | 69 | 68 | - | 66 | 65 | 64 | 63 | - | - | 60 | - | - | 57 | 56 | - | 54 | - | |
| | | | | | | | | | | | 52 | 51 | 50 | 49 | 48 | - | 46 | 45 | 44 | 43 | - | 41 | 40 | 39 | 38 | 37 | 36 | - | 34 | - | |
| | | | | | | | | | | | | | | | 32 | 31 | 30 | 29 | 28 | - | - | - | - | 23 | 22 | 21 | - | - | - | - | |
| | | | | | | | | | | | | | | | - | 15 | 14 | 13 | 12 | - | - | - | - | 7 | 6 | 5 | - | - | - | 2 | - |
| MX123 CONN ASSY 73 CKT BLK OPT9 KEY A/27 | 345668053 | C-HSG-A9 | G-CAP-9-P | TPA-A9 | RS | LS | MAL | CPA | MSEAL | RSEAL | - | 71 | 70 | 69 | - | - | - | 65 | 64 | 63 | 62 | 61 | 60 | - | 58 | 57 | 56 | 55 | 54 | 53 | |
| | | | | | | | | | | | 52 | 51 | 50 | 49 | 48 | 47 | - | 45 | 44 | 43 | 42 | 41 | - | 39 | - | 37 | 36 | - | 34 | - | |
| | | | | | | | | | | | | | | | 32 | - | 30 | 29 | 28 | 27 | 26 | - | 24 | - | - | - | - | - | - | 18 | - |
| | | | | | | | | | | | | | | | 16 | 15 | 14 | 13 | 12 | 11 | 10 | - | - | - | - | - | - | - | 3 | - | - |
| MX123 CONN ASSY 73 CKT BLU OPT9 KEY C/30 | 345668063 | C-HSG-C9 | G-CAP-9-P | TPA-C9 | RS | LS | MAL | CPA | MSEAL | RSEAL | 72 | - | 70 | - | 68 | 67 | 66 | - | - | 63 | 62 | - | - | 59 | - | 57 | - | - | - | 53 | |
| | | | | | | | | | | | 52 | 51 | - | 49 | 48 | 47 | 46 | - | 44 | - | - | 41 | 40 | 39 | - | 37 | 36 | - | 34 | 33 | |
| | | | | | | | | | | | | | | | 32 | - | 30 | - | - | 27 | 26 | 25 | 24 | - | 22 | 21 | 20 | - | - | - | |
| | | | | | | | | | | | | | | | - | 15 | 14 | 13 | - | - | 10 | 9 | 8 | - | 6 | 5 | 4 | - | 2 | - | |
| MX123 CONN ASSY 73 CKT GRY OPT9 KEY B/21 | 345668073 | C-HSG-B9 | G-CAP-9-P | TPA-B9 | RS | LS | MAL | CPA | MSEAL | RSEAL | 72 | 71 | 70 | - | 68 | 67 | 66 | - | - | 62 | 61 | 60 | 59 | 58 | 57 | 56 | 55 | 54 | 53 | | |
| | | | | | | | | | | | 52 | 51 | 50 | - | 48 | 47 | 46 | - | - | 42 | 41 | 40 | 39 | 38 | 37 | 36 | 35 | 34 | 33 | | |
| | | | | | | | | | | | | | | | 32 | 31 | 30 | 29 | 28 | 27 | 26 | 25 | 24 | - | - | - | - | - | 18 | 17 | |
| | | | | | | | | | | | | | | | 16 | 15 | 14 | 13 | - | - | 10 | - | 8 | - | - | - | - | 3 | 2 | 1 | |
| MX123 CONN ASSY 73 CKT GRY OPT9 KEY B/11 | 345668083 | C-HSG-B9 | G-CAP-9-P | TPA-B9 | RS | LS | MAL | CPA | MSEAL | RSEAL | 72 | 71 | 70 | 69 | 68 | 67 | 66 | 65 | 64 | 63 | - | 61 | 60 | - | - | 57 | 56 | 55 | - | - | |
| | | | | | | | | | | | 52 | 51 | 50 | 49 | 48 | 47 | 46 | 45 | 44 | 43 | - | 41 | 40 | - | 38 | 37 | 36 | 35 | 34 | 33 | |
| | | | | | | | | | | | | | | | 32 | 31 | 30 | 29 | 28 | - | 26 | 25 | 24 | 23 | 22 | 21 | 20 | 19 | 18 | 17 | |
| | | | | | | | | | | | | | | | 16 | 15 | 14 | 13 | 12 | 11 | - | - | 8 | 7 | 6 | 5 | 4 | 3 | 2 | 1 | |
| MX123 CONN ASSY 73 CKT BLK OPT9 KEY A/37 | 345668093 | C-HSG-A9 | G-CAP-9-P | TPA-A9 | RS | LS | MAL | CPA | MSEAL | RSEAL | 72 | - | 70 | - | - | 67 | - | - | - | 63 | - | - | 60 | 59 | 58 | 57 | 56 | 55 | - | - | |
| | | | | | | | | | | | 52 | 51 | - | - | 48 | 47 | 46 | - | - | 43 | 42 | - | 40 | 39 | 38 | 37 | 36 | 35 | - | - | |
| | | | | | | | | | | | | | | | - | - | - | - | 28 | 27 | - | - | - | - | 22 | 21 | - | - | 18 | 17 | |
| | | | | | | | | | | | | | | | - | - | - | - | 12 | 11 | - | 9 | - | 7 | - | 5 | - | - | 2 | 1 | |
| MX123 CONN ASSY 73 CKT BLU OPT9 KEY C/34 | 345668113 | C-HSG-C9 | G-CAP-9-P | TPA-C9 | RS | LS | MAL | CPA | MSEAL | RSEAL | 72 | 71 | 70 | 69 | - | 67 | 66 | 65 | 64 | - | - | - | - | - | - | 56 | - | 54 | - | | |
| | | | | | | | | | | | 52 | 51 | 50 | 49 | - | 47 | 46 | 45 | 44 | - | - | - | - | 39 | 38 | - | - | - | 34 | - | |
| | | | | | | | | | | | | | | | - | 31 | 30 | 29 | 28 | - | 26 | 25 | - | 23 | 22 | 21 | - | - | - | 17 | |
| | | | | | | | | | | | | | | | 16 | 15 | 14 | 13 | 12 | - | - | 9 | - | 7 | 6 | - | - | - | - | - | |
| MX123 CONN ASSY 73 CKT BLU OPT0 KEY C/34 | 345668153 | C-HSG-C0 | G-CAP-0-P | TPA-C0 | RS | LS | MAL | CPA | MSEAL | RSEAL | - | - | - | - | - | - | - | - | - | - | - | - | - | - | - | - | - | 54 | 53 | | |
| | | | | | | | | | | | - | - | - | 49 | 48 | 47 | 46 | 45 | 44 | 43 | - | - | 40 | 39 | 38 | 37 | 36 | - | - | - | |
| | | | | | | | | | | | | | | | 32 | 31 | 30 | 29 | - | - | 26 | 25 | 24 | 23 | 22 | 21 | 20 | 19 | - | 17 | |
| | | | | | | | | | | | | | | | - | 15 | - | - | 12 | 11 | 10 | 9 | 8 | 7 | 6 | 5 | 4 | - | 2 | 1 | |
| MX123 CONN ASSY 73 CKT GRY OPT9 KEY B/36 | 345668163 | C-HSG-B9 | G-CAP-9-P | TPA-B9 | RS | LS | MAL | CPA | MSEAL | RSEAL | 72 | 71 | 70 | 69 | - | - | 66 | 65 | - | - | 62 | 61 | 60 | - | - | 57 | 56 | - | - | 53 | |
| | | | | | | | | | | | 52 | 51 | 50 | 49 | 48 | - | - | - | - | - | 42 | 41 | 40 | - | - | 37 | 36 | - | 34 | 33 | |
| | | | | | | | | | | | | | | | - | - | - | - | - | - | 26 | 25 | 24 | - | - | 21 | 20 | - | 18 | - | |
| | | | | | | | | | | | | | | | 16 | - | 14 | - | - | - | - | - | 8 | 7 | - | 5 | - | 3 | 2 | - | |
| MX123 CONN ASSY 73 CKT GRY OPT0 KEY B/27 | 345668173 | C-HSG-B0 | G-CAP-0-P | TPA-B0 | RS | LS | MAL | CPA | MSEAL | RSEAL | - | 71 | - | 69 | - | - | 66 | 65 | 64 | - | - | - | - | - | 58 | 57 | 56 | 55 | 54 | 53 | |
| | | | | | | | | | | | - | 51 | 50 | 49 | 48 | 47 | - | 45 | 44 | - | 42 | - | - | 39 | 38 | 37 | 36 | 35 | 34 | 33 | |
| | | | | | | | | | | | | | | | 32 | 31 | 30 | 29 | 28 | - | 26 | 25 | 24 | 23 | - | - | - | - | - | 17 | |
| | | | | | | | | | | | | | | | - | 15 | - | 13 | 12 | - | 10 | 9 | - | 7 | - | 5 | - | 3 | 2 | 1 | |

| ASSEMBLY DESCRIPTION | ASSEMBLY PART NUMBER | CONNECTOR HOUSING | GROMMET CAP | TPA | RIGHT SLIDE | LEFT SLIDE | MATE ASSIST LEVER | CPA | MAT SEAL | RING SEAL | BLOCKED TERMINALS | | | | | | | | | | | | | | | | | | STATUS | COMMENTS | INTEGRAL COMPONENTS SOLD SEPARATELY | | | | | | | | | |
|--|----------------------|-------------------|-------------|--------|-------------|------------|-------------------|-----|----------|-----------|--|----|----|----|----|----|----|----|----|----|----|----|----|----|----|----|----|----|--------|----------|-------------------------------------|-----------|-----------|----|----|----|----|----|----|----|
| | | | | | | | | | | | CAVITY WITH A NUMBER INDICATES BLOCKED TERMINAL POSITION | | | | | | | | | | | | | | | | | | | | DRESS COVER | | | | | | | | | |
| | | | | | | | | | | | CAVITY WITHOUT A NUMBER INDICATES OPEN TERMINAL POSITION | | | | | | | | | | | | | | | | | | | | | | | | | | | | | |
| MX123 CONN ASSY 73 CKT BLK OPT0 KEY A/42 | 345668203 | C-HSG-A0 | G-CAP-0-P | TPA-A0 | RS | LS | MAL | CPA | MSEAL | RSEAL | 72 | 71 | - | 69 | 68 | - | - | 65 | 64 | 63 | 62 | 61 | 60 | 59 | - | 57 | - | - | - | 53 | SALEABLE | | 345650003 | | | | | | | |
| | | | | | | | | | | | 52 | 51 | 50 | 49 | 48 | - | 46 | 45 | - | - | - | - | 40 | - | 38 | - | - | 35 | - | 33 | | | | | | | | | | |
| | | | | | | | | | | | | | | | | | | | | | | 32 | - | - | 29 | 28 | - | 26 | - | - | | | | 23 | 22 | - | - | - | - | 17 |
| | | | | | | | | | | | | | | | | | | | | | | 16 | 15 | 14 | - | 12 | 11 | 10 | 9 | 8 | | | | 7 | - | - | - | - | 2 | - |
| MX123 CONN ASSY 73 CKT BLK OPT9 KEY A/22 | 345668223 | C-HSG-A9 | G-CAP-9-P | TPA-A9 | RS | LS | MAL | CPA | MSEAL | RSEAL | - | 71 | 70 | 69 | 68 | 67 | 66 | 65 | 64 | 63 | - | - | 60 | - | 58 | - | 56 | - | 54 | 53 | SALEABLE | | 345650003 | | | | | | | |
| | | | | | | | | | | | - | - | 50 | 49 | 48 | 47 | 46 | 45 | 44 | 43 | 42 | 41 | - | 39 | 38 | - | 36 | 35 | 34 | 33 | | | | | | | | | | |
| | | | | | | | | | | | | | | | | | | | | | | - | 31 | 30 | - | 28 | 27 | 26 | - | 24 | | | | 23 | 22 | 21 | - | 19 | 18 | 17 |
| | | | | | | | | | | | | | | | | | | | | | | - | - | - | 13 | - | - | - | - | 8 | | | | 7 | 6 | 5 | 4 | 3 | 2 | 1 |
| MX123 CONN ASSY 73 CKT BLK OPT9 KEY A/43 | 345668293 | C-HSG-A9 | G-CAP-9-P | TPA-A9 | RS | LS | MAL | CPA | MSEAL | RSEAL | 72 | - | - | - | - | - | - | - | 64 | - | 62 | 61 | - | - | - | 57 | 56 | 55 | 54 | 53 | SALEABLE | | 345650003 | | | | | | | |
| | | | | | | | | | | | 52 | 51 | - | - | - | - | 46 | 45 | - | 43 | - | 41 | 40 | - | - | 37 | - | - | - | - | | | | | | | | | | |
| | | | | | | | | | | | | | | | | | | | | | | 32 | - | 30 | 29 | - | 27 | - | 25 | - | | | | - | - | - | 20 | - | - | - |
| | | | | | | | | | | | | | | | | | | | | | | 16 | 15 | - | 13 | - | 11 | 10 | 9 | - | | | | - | - | - | 4 | - | - | - |
| MX123 CONN ASSY 73 CKT BLK OPT0 KEY A/14 | 345668303 | C-HSG-A0 | G-CAP-0-P | TPA-A0 | RS | LS | MAL | CPA | MSEAL | RSEAL | - | - | 70 | - | - | - | - | 65 | - | - | - | 61 | 60 | - | - | - | - | 55 | - | - | SALEABLE | | 345650003 | | | | | | | |
| | | | | | | | | | | | - | - | - | - | - | - | - | 45 | - | - | - | 41 | 40 | - | - | - | - | - | - | - | | | | | | | | | | |
| | | | | | | | | | | | | | | | | | | | | | | - | - | - | - | 28 | - | 26 | 25 | - | | | | - | - | - | - | - | 18 | - |
| | | | | | | | | | | | | | | | | | | | | | | 16 | - | - | - | - | - | 10 | - | - | | | | - | - | - | - | - | - | - |
| MX123 CONN ASSY 73 CKT BLK OPT9 KEY A/41 | 345668313 | C-HSG-A9 | G-CAP-9-P | TPA-A9 | RS | LS | MAL | CPA | MSEAL | RSEAL | 72 | - | - | - | 68 | - | - | - | 64 | - | 62 | 61 | - | - | - | 57 | 56 | 55 | 54 | 53 | SALEABLE | | 345650003 | | | | | | | |
| | | | | | | | | | | | 52 | 51 | - | - | - | - | 46 | 45 | - | 43 | - | 41 | 40 | - | - | 37 | - | - | - | - | | | | | | | | | | |
| | | | | | | | | | | | | | | | | | | | | | | 32 | - | 30 | 29 | - | 27 | - | 25 | - | | | | - | - | - | 20 | - | - | - |
| | | | | | | | | | | | | | | | | | | | | | | 16 | 15 | 14 | 13 | - | 11 | 10 | 9 | - | | | | - | - | - | 5 | 4 | - | - |
| MX123 CONN ASSY 73 CKT BLK OPT9 KEY A/38 | 345668323 | C-HSG-A9 | G-CAP-9-P | TPA-A9 | RS | LS | MAL | CPA | MSEAL | RSEAL | 72 | - | - | - | - | - | - | - | 64 | - | 62 | 61 | - | 59 | 58 | 57 | 56 | 55 | 54 | - | SALEABLE | | 345650003 | | | | | | | |
| | | | | | | | | | | | 52 | 51 | - | - | 48 | - | 46 | 45 | - | 43 | - | 41 | 40 | - | - | 37 | - | 35 | 34 | - | | | | | | | | | | |
| | | | | | | | | | | | | | | | | | | | | | | 32 | - | 30 | 29 | - | 27 | - | 25 | - | | | | - | - | - | 20 | - | - | - |
| | | | | | | | | | | | | | | | | | | | | | | 16 | 15 | - | 13 | - | 11 | 10 | 9 | - | | | | - | - | - | 4 | 3 | - | - |
| MX123 CONN ASSY 73 CKT BLK OPT9 KEY A/42 | 345668333 | C-HSG-A9 | G-CAP-9-P | TPA-A9 | RS | LS | MAL | CPA | MSEAL | RSEAL | 72 | - | - | - | - | - | - | - | 64 | - | 62 | 61 | - | 59 | - | 57 | 56 | 55 | 54 | - | SALEABLE | | 345650003 | | | | | | | |
| | | | | | | | | | | | 52 | 51 | - | - | - | - | 46 | 45 | - | 43 | - | 41 | 40 | - | - | 37 | - | 35 | 34 | - | | | | | | | | | | |
| | | | | | | | | | | | | | | | | | | | | | | 32 | - | 30 | 29 | - | 27 | - | 25 | - | | | | - | - | - | 20 | - | - | - |
| | | | | | | | | | | | | | | | | | | | | | | 16 | 15 | - | 13 | - | 11 | 10 | 9 | - | | | | - | - | - | 4 | - | - | - |
| MX123 CONN ASSY 73 CKT BLK OPT9 KEY A/40 | 345668343 | C-HSG-A9 | G-CAP-9-P | TPA-A9 | RS | LS | MAL | CPA | MSEAL | RSEAL | 72 | - | - | - | - | - | - | - | 64 | - | 62 | 61 | - | - | 58 | 57 | 56 | 55 | 54 | 53 | SALEABLE | | 345650003 | | | | | | | |
| | | | | | | | | | | | 52 | 51 | - | - | 48 | - | 46 | 45 | - | 43 | - | 41 | 40 | - | - | 37 | - | - | - | - | | | | | | | | | | |
| | | | | | | | | | | | | | | | | | | | | | | 32 | - | 30 | 29 | - | 27 | - | 25 | - | | | | - | - | - | 20 | - | - | - |
| | | | | | | | | | | | | | | | | | | | | | | 16 | 15 | - | 13 | - | 11 | 10 | 9 | - | | | | - | - | - | 4 | 3 | - | - |
| MX123 CONN ASSY 73 CKT BLK OPT9 KEY A/31 | 345668353 | C-HSG-A9 | G-CAP-9-P | TPA-A9 | RS | LS | MAL | CPA | MSEAL | RSEAL | - | 71 | 70 | 69 | 68 | 67 | 66 | 65 | - | 63 | - | - | 60 | 59 | 58 | - | - | - | - | - | SALEABLE | | 345650003 | | | | | | | |
| | | | | | | | | | | | - | - | 50 | 49 | 48 | 47 | - | - | 44 | - | 42 | - | - | 39 | 38 | - | 36 | 35 | 34 | 33 | | | | | | | | | | |
| | | | | | | | | | | | | | | | | | | | | | | - | 31 | - | - | 28 | - | 26 | - | 24 | | | | 23 | 22 | 21 | - | 19 | 18 | 17 |
| | | | | | | | | | | | | | | | | | | | | | | - | - | 14 | - | 12 | - | - | - | 8 | | | | 7 | 6 | 5 | - | 3 | 2 | 1 |
| MX123 CONN ASSY 73 CKT BLK OPT9 KEY A/33 | 345668363 | C-HSG-A9 | G-CAP-9-P | TPA-A9 | RS | LS | MAL | CPA | MSEAL | RSEAL | - | 71 | 70 | 69 | - | 67 | 66 | 65 | - | 63 | - | - | 60 | 59 | 58 | - | - | - | - | - | SALEABLE | | 345650003 | | | | | | | |
| | | | | | | | | | | | - | - | 50 | 49 | 48 | 47 | - | - | 44 | - | 42 | 41 | - | 39 | 38 | - | 36 | 35 | 34 | 33 | | | | | | | | | | |
| | | | | | | | | | | | | | | | | | | | | | | - | 31 | - | - | 28 | - | 26 | - | 24 | | | | 23 | 22 | 21 | - | 19 | 18 | 17 |
| | | | | | | | | | | | | | | | | | | | | | | - | - | - | - | 12 | - | - | - | 8 | | | | 7 | 6 | - | - | 3 | 2 | 1 |
| MX123 CONN ASSY 73 CKT BLK OPT9 KEY A/36 | 345668373 | C-HSG-A9 | G-CAP-9-P | TPA-A9 | RS | LS | MAL | CPA | MSEAL | RSEAL | - | 71 | 70 | 69 | 68 | 67 | 66 | 65 | - | 63 | - | - | 60 | - | - | - | - | - | 53 | SALEABLE | | 345650003 | | | | | | | | |
| | | | | | | | | | | | - | - | 50 | 49 | - | 47 | - | - | 44 | - | 42 | - | - | 39 | 38 | - | 36 | - | - | | | | 33 | | | | | | | |
| | | | | | | | | | | | | | | | | | | | | | | - | 31 | - | - | 28 | - | 26 | - | | | | 24 | 23 | 22 | 21 | - | 19 | 18 | 17 |
| | | | | | | | | | | | | | | | | | | | | | | - | - | 14 | - | 12 | - | - | - | | | | 8 | 7 | 6 | 5 | - | - | 2 | 1 |
| MX123 CONN ASSY 73 CKT BLK OPT9 KEY A/32 | 345668383 | C-HSG-A9 | G-CAP-9-P | TPA-A9 | RS | LS | MAL | CPA | MSEAL | RSEAL | - | 71 | 70 | 69 | 68 | 67 | 66 | 65 | - | 63 | - | - | 60 | - | 58 | - | - | - | 53 | SALEABLE | | 345650003 | | | | | | | | |
| | | | | | | | | | | | - | - | 50 | 49 | 48 | 47 | - | - | 44 | - | 42 | 41 | - | 39 | 38 | - | 36 | - | - | | | | 33 | | | | | | | |
| | | | | | | | | | | | | | | | | | | | | | | - | 31 | - | - | 28 | - | 26 | - | | | | 24 | 23 | 22 | 21 | - | 19 | 18 | 17 |
| | | | | | | | | | | | | | | | | | | | | | | - | - | 14 | - | 12 | - | - | - | | | | 8 | 7 | 6 | 5 | - | 3 | 2 | 1 |

| ASSEMBLY DESCRIPTION | ASSEMBLY PART NUMBER | CONNECTOR HOUSING | GROMMET CAP | TPA | RIGHT SLIDE | LEFT SLIDE | MATE ASSIST LEVER | CPA | MAT SEAL | RING SEAL | BLOCKED TERMINALS | | | | | | | | | | | | | | | | STATUS | COMMENTS | INTEGRAL COMPONENTS SOLD SEPARATELY | |
|--|----------------------|-------------------|-------------|--------|-------------|------------|-------------------|-----|----------|-----------|--|----|----|----|----|----|----|----|----|----|----|----|----|----|----|----|--------|----------|-------------------------------------|----|
| | | | | | | | | | | | CAVITY WITH A NUMBER INDICATES BLOCKED TERMINAL POSITION CAVITY WITHOUT A NUMBER INDICATES OPEN TERMINAL POSITION | | | | | | | | | | | | | | | | | | DRESS COVER | |
| | | | | | | | | | | | | | | | | | | | | | | | | | | | | | | |
| MX123 CONN ASSY 73 CKT BLK OPT0 KEY A/44 | 345668393 | C-HSG-A0 | G-CAP-0-P | TPA-A0 | RS | LS | MAL | CPA | MSEAL | RSEAL | - | 71 | - | 69 | 68 | 67 | 66 | 65 | 64 | - | - | 61 | 60 | 59 | 58 | 57 | - | - | - | - |
| | | | | | | | | | | | - | - | 50 | - | - | 47 | 46 | 45 | 44 | - | 42 | 41 | 40 | 39 | 38 | 37 | - | - | - | - |
| | | | | | | | | | | | - | - | - | - | 32 | - | - | - | - | - | 26 | 25 | - | - | - | - | - | - | - | - |
| MX123 CONN ASSY 73 CKT GRY OPT0 KEY B/48 | 345668403 | C-HSG-B0 | G-CAP-0-P | TPA-B0 | RS | LS | MAL | CPA | MSEAL | RSEAL | 72 | 71 | 70 | 69 | 68 | 67 | 66 | - | - | 63 | 62 | 61 | 60 | - | 58 | - | 56 | - | 54 | - |
| | | | | | | | | | | | 52 | 51 | - | - | - | 47 | - | 45 | 44 | 43 | 42 | 41 | 40 | - | 38 | - | 36 | - | 34 | - |
| | | | | | | | | | | | - | - | - | - | 32 | - | 31 | 30 | - | 28 | 27 | 26 | 25 | - | 22 | - | 20 | 19 | 18 | 17 |
| MX123 CONN ASSY 73 CKT BLK OPT0 KEY A/43 | 345668413 | C-HSG-A0 | G-CAP-0-P | TPA-A0 | RS | LS | MAL | CPA | MSEAL | RSEAL | - | 71 | - | 69 | 68 | 67 | 66 | 65 | 64 | - | - | 61 | 60 | 59 | 58 | 57 | - | - | - | - |
| | | | | | | | | | | | - | - | 50 | - | - | 47 | 46 | 45 | 44 | - | 42 | 41 | 40 | 39 | 38 | 37 | - | - | - | - |
| | | | | | | | | | | | - | - | - | - | 32 | - | - | - | - | - | 26 | 25 | - | - | - | - | - | - | - | - |
| MX123 CONN ASSY 73 CKT BLU OPT0 KEY C/36 | 345668423 | C-HSG-C0 | G-CAP-0-P | TPA-C0 | RS | LS | MAL | CPA | MSEAL | RSEAL | 72 | 71 | 70 | - | 68 | - | 66 | 65 | - | 63 | - | - | - | 59 | 58 | - | 56 | 55 | - | 53 |
| | | | | | | | | | | | - | - | - | - | - | 47 | - | - | - | 43 | - | - | 40 | 39 | 38 | - | 36 | 35 | - | - |
| | | | | | | | | | | | - | - | - | - | 32 | 31 | 30 | 29 | - | - | - | - | 24 | 23 | 22 | 21 | 20 | 19 | 18 | 17 |
| MX123 CONN ASSY 73 CKT BLU OPT0 KEY C/45 | 345668443 | C-HSG-C0 | G-CAP-0-P | TPA-C0 | RS | LS | MAL | CPA | MSEAL | RSEAL | 72 | - | - | 69 | 68 | - | - | - | - | 63 | 62 | - | - | - | - | 56 | 55 | - | 53 | |
| | | | | | | | | | | | - | - | - | 49 | - | - | 46 | - | - | 43 | 42 | - | 40 | - | - | - | 36 | 35 | - | - |
| | | | | | | | | | | | - | - | - | - | 32 | - | 31 | 30 | 29 | - | - | 26 | - | 24 | - | 22 | 21 | 20 | 19 | - |
| MX123 CONN ASSY 73 CKT BLK OPT0 KEY A/48 | 345668453 | C-HSG-A0 | G-CAP-0-P | TPA-A0 | RS | LS | MAL | CPA | MSEAL | RSEAL | - | - | - | - | - | 67 | - | - | - | - | 62 | 61 | - | 59 | 58 | - | - | 55 | - | 53 |
| | | | | | | | | | | | - | - | - | - | - | 47 | - | - | - | - | 41 | - | - | - | - | - | 35 | - | 33 | |
| | | | | | | | | | | | - | - | - | - | 32 | - | - | - | - | 27 | 26 | 25 | 24 | - | - | - | - | 19 | 18 | 17 |
| MX123 CONN ASSY 73 CKT GRY OPT0 KEY B/34 | 345668463 | C-HSG-B0 | G-CAP-0-P | TPA-B0 | RS | LS | MAL | CPA | MSEAL | RSEAL | - | 71 | - | 69 | - | 67 | 66 | 65 | 64 | 63 | - | - | - | 58 | 57 | 56 | - | 54 | 53 | |
| | | | | | | | | | | | - | 51 | 50 | 49 | - | - | - | 45 | - | - | 42 | - | - | 39 | - | - | - | - | 34 | 33 |
| | | | | | | | | | | | - | - | - | - | 32 | 31 | - | 29 | 28 | 27 | 26 | 25 | 24 | 23 | - | - | - | - | - | - |
| MX123 CONN ASSY 73 CKT BLU OPT0 KEY C/49 | 345668473 | C-HSG-C0 | G-CAP-0-P | TPA-C0 | RS | LS | MAL | CPA | MSEAL | RSEAL | 72 | - | - | 69 | 68 | - | - | - | - | 63 | - | - | - | 59 | - | - | 56 | - | - | 53 |
| | | | | | | | | | | | - | - | - | - | - | 46 | - | - | 43 | - | - | 40 | 39 | - | - | 36 | - | - | - | |
| | | | | | | | | | | | - | - | - | - | 32 | - | 31 | 30 | 29 | - | - | - | - | 24 | 23 | 22 | 21 | 20 | - | - |
| MX123 CONN ASSY 73 CKT BLK OPT0 KEY A/51 | 345668483 | C-HSG-A0 | G-CAP-0-P | TPA-A0 | RS | LS | MAL | CPA | MSEAL | RSEAL | - | - | - | - | - | 67 | - | - | - | - | 62 | - | - | 59 | 58 | - | - | 55 | - | - |
| | | | | | | | | | | | - | - | - | - | - | 47 | - | - | - | - | 41 | - | - | - | - | 35 | - | - | | |
| | | | | | | | | | | | - | - | - | - | 32 | - | - | - | - | 27 | 26 | 25 | 24 | - | - | - | - | 19 | 18 | 17 |
| MX123 CONN ASSY 73 CKT GRY OPT0 KEY B/31 | 345668493 | C-HSG-B0 | G-CAP-0-P | TPA-B0 | RS | LS | MAL | CPA | MSEAL | RSEAL | - | 71 | - | 69 | - | - | 66 | 65 | 64 | 63 | - | - | - | 58 | 57 | 56 | - | 54 | 53 | |
| | | | | | | | | | | | - | 51 | 50 | 49 | - | - | - | 45 | - | - | 42 | 41 | - | 39 | 38 | 37 | 36 | 35 | 34 | - |
| | | | | | | | | | | | - | - | - | - | 32 | 31 | - | 29 | 28 | 27 | 26 | 25 | 24 | 23 | - | - | - | - | - | - |
| MX123 CONN ASSY 73 CKT GRY OPT0 KEY B/27 | 345668503 | C-HSG-B0 | G-CAP-0-P | TPA-B0 | RS | LS | MAL | CPA | MSEAL | RSEAL | - | - | - | - | - | - | - | - | - | - | - | 61 | - | - | 58 | 57 | 56 | - | - | - |
| | | | | | | | | | | | - | 51 | 50 | - | - | 47 | 46 | 45 | - | - | - | 41 | 40 | - | 38 | 37 | 36 | - | - | - |
| | | | | | | | | | | | - | - | - | - | 32 | - | 31 | 30 | - | 28 | - | 26 | 25 | - | 22 | 21 | 20 | - | - | - |
| MX123 CONN ASSY 73 CKT BLK OPT9 KEY A/48 | 345668513 | C-HSG-A9 | G-CAP-9-P | TPA-A9 | RS | LS | MAL | CPA | MSEAL | RSEAL | - | - | - | - | - | 67 | - | - | - | - | 62 | - | - | 59 | 58 | - | - | 55 | - | - |
| | | | | | | | | | | | - | - | - | - | - | 47 | - | - | - | - | 42 | 41 | - | - | - | - | 35 | - | - | |
| | | | | | | | | | | | - | - | - | - | 32 | - | - | - | - | 27 | 26 | 25 | - | - | - | 21 | 20 | 19 | 18 | 17 |

| ASSEMBLY DESCRIPTION | ASSEMBLY PART NUMBER | CONNECTOR HOUSING | GROMMET CAP | TPA | RIGHT SLIDE | LEFT SLIDE | MATE ASSIST LEVER | CPA | MAT SEAL | RING SEAL | BLOCKED TERMINALS | | | | | | | | | | | | | | | | | | STATUS | COMMENTS | INTEGRAL COMPONENTS SOLD SEPARATELY | | | | | |
|--|----------------------|-------------------|-------------|--------|-------------|------------|-------------------|-----|----------|-----------|--|----|----|----|----|----|----|----|----|----|----|----|----|----|----|----|----|----|--------|----------|-------------------------------------|-----------|-----------|----|----|----|
| | | | | | | | | | | | CAVITY WITH A NUMBER INDICATES BLOCKED TERMINAL POSITION | | | | | | | | | | | | | | | | | | | | DRESS COVER | | | | | |
| | | | | | | | | | | | CAVITY WITHOUT A NUMBER INDICATES OPEN TERMINAL POSITION | | | | | | | | | | | | | | | | | | | | | | | | | |
| MX123 CONN ASSY 73 CKT GRY OPT9 KEY B/27 | 345668523 | C-HSG-B9 | G-CAP-9-P | TPA-B9 | RS | LS | MAL | CPA | MSEAL | RSEAL | - | 71 | - | 69 | - | 67 | 66 | 65 | 64 | 63 | - | - | 60 | 59 | 58 | 57 | 56 | - | 54 | 53 | SALEABLE | | 345650003 | | | |
| | | | | | | | | | | | - | 51 | 50 | 49 | - | - | - | 45 | 44 | - | 42 | 41 | - | 39 | 38 | 37 | 36 | 35 | 34 | 33 | | | | | | |
| | | | | | | | | | | | | | | | | | | | | | | | | | | | | | 32 | 31 | | | | - | 29 | 28 |
| MX123 CONN ASSY 73 CKT BLU OPT9 KEY C/35 | 345668533 | C-HSG-C9 | G-CAP-9-P | TPA-C9 | RS | LS | MAL | CPA | MSEAL | RSEAL | 72 | 71 | - | 69 | 68 | - | - | - | - | 63 | 62 | - | - | 59 | 58 | - | 56 | 55 | - | 53 | SALEABLE | | 345650003 | | | |
| | | | | | | | | | | | - | - | - | - | - | - | 46 | - | - | 43 | 42 | - | 40 | 39 | 38 | - | 36 | 35 | - | - | | | | | | |
| | | | | | | | | | | | | | | | | | | | | | | | | | | | | | - | 31 | | | | 30 | 29 | - |
| MX123 CONN ASSY 73 CKT BLU OPT9 KEY C/35 | 345668543 | C-HSG-C9 | G-CAP-9-P | TPA-C9 | RS | LS | MAL | CPA | MSEAL | RSEAL | 72 | - | 70 | - | 68 | - | - | - | - | 63 | 62 | 61 | - | 59 | 58 | - | 56 | 55 | - | 53 | SALEABLE | | 345650003 | | | |
| | | | | | | | | | | | - | - | - | - | - | - | - | - | - | 43 | 42 | 41 | 40 | 39 | 38 | - | 36 | 35 | - | - | | | | | | |
| | | | | | | | | | | | | | | | | | | | | | | | | | | | | | - | 31 | | | | 30 | 29 | - |
| MX123 CONN ASSY 73 CKT GRY OPT0 KEY B/22 | 345668553 | C-HSG-B0 | G-CAP-0-P | TPA-B0 | RS | LS | MAL | CPA | MSEAL | RSEAL | - | 71 | 70 | 69 | - | 67 | 66 | 65 | 64 | 63 | - | - | - | - | 58 | 57 | 56 | - | 54 | 53 | SALEABLE | | 345650003 | | | |
| | | | | | | | | | | | - | 51 | 50 | 49 | 48 | 47 | - | 45 | 44 | - | 42 | - | - | 39 | 38 | 37 | 36 | 35 | 34 | 33 | | | | | | |
| | | | | | | | | | | | | | | | | | | | | | | | | | | | | | 32 | 31 | | | | 30 | 29 | 28 |
| MX123 CONN ASSY 73 CKT BLK OPT0 KEY A/35 | 345668563 | C-HSG-A0 | G-CAP-0-P | TPA-A0 | RS | LS | MAL | CPA | MSEAL | RSEAL | - | 71 | - | 69 | 68 | - | 66 | 65 | 64 | - | 62 | 61 | - | - | - | - | - | 54 | 53 | SALEABLE | | 345650003 | | | | |
| | | | | | | | | | | | - | - | 50 | 49 | - | - | - | 45 | 44 | - | - | 41 | - | - | - | - | - | - | - | | | | 34 | 33 | | |
| | | | | | | | | | | | | | | | | | | | | | | | | | | | | | 32 | | | | 31 | 30 | 29 | - |
| MX123 CONN ASSY 73 CKT GRY OPT0 KEY B/59 | 345668573 | C-HSG-B0 | G-CAP-0-P | TPA-B0 | RS | LS | MAL | CPA | MSEAL | RSEAL | - | - | - | - | - | - | - | - | - | - | 62 | - | - | - | 58 | - | - | - | 54 | 53 | SALEABLE | | 345650003 | | | |
| | | | | | | | | | | | - | - | - | - | - | - | - | - | - | - | 42 | - | - | - | - | - | - | - | - | - | | | | 34 | - | |
| | | | | | | | | | | | | | | | | | | | | | | | | | | | | | - | - | | | | - | - | - |
| MX123 CONN ASSY 73 CKT BLU OPT0 KEY C/44 | 345668583 | C-HSG-C0 | G-CAP-0-P | TPA-C0 | RS | LS | MAL | CPA | MSEAL | RSEAL | - | - | - | - | 68 | - | - | - | - | 63 | 62 | 61 | - | 59 | 58 | 57 | - | 55 | - | 53 | SALEABLE | | 345650003 | | | |
| | | | | | | | | | | | - | - | - | - | 48 | - | - | - | - | 43 | 42 | 41 | - | - | - | 37 | 36 | 35 | - | 33 | | | | | | |
| | | | | | | | | | | | | | | | | | | | | | | | | | | | | | 32 | - | | | | - | 29 | - |
| MX123 CONN ASSY 73 CKT GRY OPT0 KEY B/32 | 345668593 | C-HSG-B0 | G-CAP-0-P | TPA-B0 | RS | LS | MAL | CPA | MSEAL | RSEAL | - | 71 | 70 | 69 | - | 67 | 66 | 65 | 64 | 63 | - | - | - | - | 58 | 57 | 56 | - | 54 | 53 | SALEABLE | | 345650003 | | | |
| | | | | | | | | | | | - | 51 | 50 | 49 | - | - | - | 45 | 44 | - | 42 | - | - | 39 | - | - | - | - | - | 34 | | | | 33 | | |
| | | | | | | | | | | | | | | | | | | | | | | | | | | | | | 32 | 31 | | | | - | 29 | 28 |
| MX123 CONN ASSY 73 CKT BLK OPT0 KEY A/47 | 345668603 | C-HSG-A0 | G-CAP-0-P | TPA-A0 | RS | LS | MAL | CPA | MSEAL | RSEAL | 72 | 71 | 70 | - | - | 67 | - | 65 | 64 | 63 | 62 | 61 | 60 | - | 58 | - | 56 | - | 54 | - | SALEABLE | | 345650003 | | | |
| | | | | | | | | | | | 52 | 51 | 50 | - | - | 47 | - | 45 | - | 43 | 42 | 41 | 40 | - | - | - | 36 | - | 34 | - | | | | | | |
| | | | | | | | | | | | | | | | | | | | | | | | | | | | | | 32 | 31 | | | | 30 | - | - |
| MX123 CONN ASSY 73 CKT BLU OPT0 KEY C/43 | 345668613 | C-HSG-C0 | G-CAP-0-P | TPA-C0 | RS | LS | MAL | CPA | MSEAL | RSEAL | 72 | - | - | 69 | 68 | - | - | - | - | 63 | 62 | - | - | - | - | 56 | 55 | - | 53 | SALEABLE | | 345650003 | | | | |
| | | | | | | | | | | | - | - | - | 49 | - | - | 46 | - | - | 43 | 42 | - | 40 | - | - | - | 36 | 35 | - | | | | - | | | |
| | | | | | | | | | | | | | | | | | | | | | | | | | | | | | - | | | | 31 | 30 | 29 | - |
| MX123 CONN ASSY 73 CKT BLU OPT9 KEY C/31 | 345668623 | C-HSG-C9 | G-CAP-9-P | TPA-C9 | RS | LS | MAL | CPA | MSEAL | RSEAL | 72 | 71 | 70 | 69 | - | 67 | 66 | - | 64 | - | - | - | 60 | - | - | - | - | 54 | - | SALEABLE | | 345650003 | | | | |
| | | | | | | | | | | | 52 | 51 | 50 | 49 | - | 47 | 46 | - | 44 | - | - | - | 40 | 39 | 38 | - | - | - | - | | | | - | | | |
| | | | | | | | | | | | | | | | | | | | | | | | | | | | | | - | | | | - | 30 | 29 | 28 |
| MX123 CONN ASSY 73 CKT GRY OPT0 KEY B/22 | 345668633 | C-HSG-B0 | G-CAP-0-P | TPA-B0 | RS | LS | MAL | CPA | MSEAL | RSEAL | - | 71 | 70 | 69 | 68 | 67 | 66 | 65 | 64 | 63 | - | - | 60 | 59 | 58 | 57 | 56 | 55 | 54 | 53 | SALEABLE | | 345650003 | | | |
| | | | | | | | | | | | - | 51 | 50 | 49 | - | - | - | 45 | 44 | - | 42 | 41 | - | 39 | 38 | 37 | 36 | 35 | 34 | 33 | | | | | | |
| | | | | | | | | | | | | | | | | | | | | | | | | | | | | | 32 | 31 | | | | - | 29 | 28 |

| ASSEMBLY DESCRIPTION | ASSEMBLY PART NUMBER | CONNECTOR HOUSING | GROMMET CAP | TPA | RIGHT SLIDE | LEFT SLIDE | MATE ASSIST LEVER | CPA | MAT SEAL | RING SEAL | BLOCKED TERMINALS | | | | | | | | | | | | | | | | | | | | STATUS | COMMENTS | INTEGRAL COMPONENTS SOLD SEPARATELY |
|--|----------------------|-------------------|-------------|--------|-------------|------------|-------------------|-----|----------|-----------|--|----|----|----|----|----|----|----|----|----|----|----|----|----|----|----|----|----|----------|----------|-----------|-----------|-------------------------------------|
| | | | | | | | | | | | CAVITY WITH A NUMBER INDICATES BLOCKED TERMINAL POSITION | | | | | | | | | | | | | | | | | | | | | | DRESS COVER |
| | | | | | | | | | | | CAVITY WITHOUT A NUMBER INDICATES OPEN TERMINAL POSITION | | | | | | | | | | | | | | | | | | | | | | |
| MX123 CONN ASSY 73 CKT BLU OPT0 KEY C/37 | 345668643 | C-HSG-C0 | G-CAP-0-P | TPA-C0 | RS | LS | MAL | CPA | MSEAL | RSEAL | 72 | - | - | 69 | 68 | - | - | 65 | - | 63 | 62 | - | - | 59 | 58 | - | 56 | 55 | - | 53 | SALEABLE | | 345650003 |
| | | | | | | | | | | | - | - | - | - | - | 47 | 46 | - | - | 43 | 42 | - | 40 | 39 | 38 | - | 36 | 35 | - | - | | | |
| | | | | | | | | | | | - | - | - | - | - | 31 | 30 | 29 | - | - | 26 | - | 24 | 23 | 22 | 21 | 20 | 19 | - | - | | | |
| MX123 CONN ASSY 73 CKT BLU OPT9 KEY C/36 | 345668653 | C-HSG-C9 | G-CAP-9-P | TPA-C9 | RS | LS | MAL | CPA | MSEAL | RSEAL | 72 | - | 70 | - | 68 | - | - | - | - | 62 | - | - | 59 | 58 | - | 56 | 55 | 54 | 53 | SALEABLE | | 345650003 | |
| | | | | | | | | | | | - | - | - | 49 | - | - | - | - | 44 | - | 42 | - | 40 | 39 | 38 | - | 36 | 35 | - | | | | - |
| | | | | | | | | | | | - | - | - | - | 32 | 31 | 30 | 29 | - | - | 26 | - | 24 | 23 | 22 | 21 | 20 | 19 | 18 | | | | 17 |
| MX123 CONN ASSY 73 CKT GRY OPT0 KEY B/46 | 345668663 | C-HSG-B0 | G-CAP-0-P | TPA-B0 | RS | LS | MAL | CPA | MSEAL | RSEAL | - | - | - | - | 68 | 67 | 66 | 65 | - | - | 62 | - | - | 59 | - | - | - | 54 | 53 | SALEABLE | | 345650003 | |
| | | | | | | | | | | | - | - | - | - | 48 | 47 | 46 | 45 | 44 | - | 42 | 41 | 40 | 39 | - | - | - | 35 | 34 | | | | - |
| | | | | | | | | | | | - | - | - | - | 31 | - | - | - | 27 | - | - | - | - | - | - | - | - | 19 | 18 | | | | 17 |
| MX123 CONN ASSY 73 CKT NAT OPT0 KEY F/45 | 345668673 | C-HSG-F0 | G-CAP-0-P | TPA-F0 | RS | LS | MAL | CPA | MSEAL | RSEAL | - | 71 | - | 69 | - | - | - | 65 | 64 | - | - | 61 | 60 | - | 58 | - | 56 | 55 | 54 | - | SALEABLE | | 345650003 |
| | | | | | | | | | | | - | - | 50 | - | - | - | - | 45 | - | 43 | 42 | - | - | - | 38 | - | - | - | - | - | | | |
| | | | | | | | | | | | - | - | - | - | 31 | - | 29 | 28 | - | - | - | - | 23 | - | - | - | 19 | 18 | 17 | - | | | |
| MX123 CONN ASSY 73 CKT GRY OPT0 KEY B/45 | 345668683 | C-HSG-B0 | G-CAP-0-P | TPA-B0 | RS | LS | MAL | CPA | MSEAL | RSEAL | - | 71 | - | 69 | - | - | - | 65 | 64 | - | - | 61 | 60 | - | 58 | - | 56 | 55 | 54 | - | SALEABLE | | 345650003 |
| | | | | | | | | | | | - | - | 50 | - | - | - | - | 45 | - | 43 | 42 | - | - | - | 38 | - | - | - | - | - | | | |
| | | | | | | | | | | | - | - | - | - | 31 | - | 29 | 28 | - | - | - | - | 23 | - | - | - | 19 | 18 | 17 | - | | | |
| MX123 CONN ASSY 73 CKT BLK OPT0 KEY A/45 | 345668693 | C-HSG-A0 | G-CAP-0-P | TPA-A0 | RS | LS | MAL | CPA | MSEAL | RSEAL | - | 71 | - | 69 | - | - | - | 65 | 64 | - | - | 61 | 60 | - | 58 | - | 56 | 55 | 54 | - | SALEABLE | | 345650003 |
| | | | | | | | | | | | - | - | 50 | - | - | - | - | 45 | - | 43 | 42 | - | - | - | 38 | - | - | - | - | - | | | |
| | | | | | | | | | | | - | - | - | - | 31 | - | 29 | 28 | - | - | - | - | 23 | - | - | - | 19 | 18 | 17 | - | | | |
| MX123 CONN ASSY 73 CKT GRY OPT0 KEY B/42 | 345668703 | C-HSG-B0 | G-CAP-0-P | TPA-B0 | RS | LS | MAL | CPA | MSEAL | RSEAL | 72 | 71 | 70 | - | - | 67 | - | 65 | - | 63 | 62 | 61 | 60 | - | 58 | - | 56 | - | 54 | - | SALEABLE | | 345650003 |
| | | | | | | | | | | | 52 | 51 | - | - | - | - | 46 | 45 | - | 43 | 42 | 41 | 40 | - | 38 | - | 36 | - | 34 | - | | | |
| | | | | | | | | | | | - | - | - | - | 32 | 31 | 30 | - | - | 27 | 26 | 25 | 24 | - | 22 | - | 20 | 19 | 18 | - | | | |
| MX123 CONN ASSY 73 CKT GRY OPT9 KEY B/46 | 345668713 | C-HSG-B9 | G-CAP-9-P | TPA-B9 | RS | LS | MAL | CPA | MSEAL | RSEAL | - | - | - | - | 68 | 67 | 66 | 65 | - | - | 62 | - | - | 59 | - | - | - | 54 | 53 | SALEABLE | | 345650003 | |
| | | | | | | | | | | | - | - | - | - | 48 | 47 | 46 | 45 | 44 | - | 42 | 41 | 40 | 39 | - | - | - | 35 | 34 | | | | - |
| | | | | | | | | | | | - | - | - | - | 31 | - | - | - | 27 | - | - | - | - | - | - | - | - | 19 | 18 | | | | 17 |
| MX123 CONN ASSY 73 CKT BLU OPT0 KEY C/36 | 345668723 | C-HSG-C0 | G-CAP-0-P | TPA-C0 | RS | LS | MAL | CPA | MSEAL | RSEAL | 72 | - | - | 69 | 68 | 67 | - | 65 | - | 63 | 62 | - | - | 59 | 58 | - | 56 | 55 | - | 53 | SALEABLE | | 345650003 |
| | | | | | | | | | | | - | - | - | - | - | 47 | 46 | - | - | 43 | 42 | - | 40 | 39 | 38 | - | 36 | 35 | - | - | | | |
| | | | | | | | | | | | - | - | - | - | - | 31 | 30 | 29 | - | - | 26 | - | 24 | 23 | 22 | 21 | 20 | 19 | - | - | | | |
| MX123 CONN ASSY 73 CKT BLK OPT0 KEY A/49 | 345668733 | C-HSG-A0 | G-CAP-0-P | TPA-A0 | RS | LS | MAL | CPA | MSEAL | RSEAL | - | - | - | - | - | 67 | - | - | - | - | 62 | 61 | - | 59 | 58 | - | - | 55 | - | 53 | SALEABLE | | 345650003 |
| | | | | | | | | | | | - | - | - | - | - | 47 | - | - | - | - | - | 41 | - | - | - | - | 35 | - | 33 | - | | | |
| | | | | | | | | | | | - | - | - | - | - | - | - | - | 27 | 26 | 25 | 24 | - | - | - | - | 19 | 18 | 17 | - | | | |
| MX123 CONN ASSY 73 CKT BLU OPT0 KEY C/41 | 345668743 | C-HSG-C0 | G-CAP-0-P | TPA-C0 | RS | LS | MAL | CPA | MSEAL | RSEAL | - | - | - | - | 68 | - | - | 65 | - | 63 | 62 | 61 | 60 | 59 | 58 | 57 | 56 | 55 | - | 53 | SALEABLE | | 345650003 |
| | | | | | | | | | | | - | - | - | - | 48 | - | - | 45 | - | 43 | 42 | 41 | 40 | - | - | 37 | 36 | 35 | 34 | 33 | | | |
| | | | | | | | | | | | - | - | - | - | 32 | 31 | - | - | - | - | - | - | - | - | - | - | 20 | 19 | 18 | - | | | |
| MX123 CONN ASSY 73 CKT GRY OPT0 KEY B/56 | 345668753 | C-HSG-B0 | G-CAP-0-P | TPA-B0 | RS | LS | MAL | CPA | MSEAL | RSEAL | - | - | - | - | - | - | - | - | - | 62 | - | - | 59 | - | - | - | - | - | SALEABLE | | 345650003 | | |
| | | | | | | | | | | | - | - | - | - | - | - | - | - | - | 42 | 41 | - | 39 | 38 | - | - | - | - | | | | - | - |
| | | | | | | | | | | | - | - | - | - | - | 31 | - | - | - | 27 | - | - | - | 23 | 22 | - | 20 | - | | | | 18 | 17 |

| ASSEMBLY DESCRIPTION | ASSEMBLY PART NUMBER | CONNECTOR HOUSING | GROMMET CAP | TPA | RIGHT SLIDE | LEFT SLIDE | MATE ASSIST LEVER | CPA | MAT SEAL | RING SEAL | BLOCKED TERMINALS | | | | | | | | | | | | | | | | | | STATUS | COMMENTS | INTEGRAL COMPONENTS SOLD SEPARATELY | | | | | | | | | | | |
|--|----------------------|-------------------|-------------|--------|-------------|------------|-------------------|-----|----------|-----------|--|----|----|----|----|----|----|----|----|----|----|----|----|----|----|----|----|----|--------|----------|-------------------------------------|---|----|---|---|---|---|---|---|---|---|---|
| | | | | | | | | | | | CAVITY WITH A NUMBER INDICATES BLOCKED TERMINAL POSITION | | | | | | | | | | | | | | | | | | | | DRESS COVER | | | | | | | | | | | |
| | | | | | | | | | | | CAVITY WITHOUT A NUMBER INDICATES OPEN TERMINAL POSITION | | | | | | | | | | | | | | | | | | | | | | | | | | | | | | | |
| MX123 CONN ASSY 73 CKT BLK OPT0 KEY A/45 | 345668763 | C-HSG-A0 | G-CAP-0-P | TPA-A0 | RS | LS | MAL | CPA | MSEAL | RSEAL | - | - | - | 69 | 68 | - | - | 65 | 64 | 63 | 62 | 61 | 60 | - | - | - | - | - | - | - | - | - | - | | | | | | | | | |
| | | | | | | | | | | | - | - | - | 49 | 48 | - | - | 45 | 44 | 43 | 42 | 41 | 40 | - | 38 | - | - | - | - | - | - | - | 34 | - | - | - | - | - | - | - | - | - |
| | | | | | | | | | | | - | - | - | - | - | - | - | - | - | - | - | - | 25 | 24 | 23 | 22 | - | 20 | 19 | - | - | - | - | - | - | - | - | - | - | - | - | |
| MX123 CONN ASSY 73 CKT GRY OPT9 KEY B/29 | 345668773 | C-HSG-B9 | G-CAP-9-P | TPA-B9 | RS | LS | MAL | CPA | MSEAL | RSEAL | - | 71 | - | 69 | - | 67 | 66 | 65 | 64 | 63 | - | - | - | - | 58 | 57 | 56 | - | 54 | 53 | | | | | | | | | | | | |
| | | | | | | | | | | | - | 51 | 50 | 49 | - | - | - | 45 | 44 | - | 42 | 41 | - | 39 | 38 | 37 | 36 | 35 | 34 | 33 | - | - | - | - | - | - | - | - | - | - | - | |
| | | | | | | | | | | | - | - | - | - | 32 | 31 | - | 29 | 28 | 27 | 26 | 25 | 24 | 23 | - | - | - | - | - | - | - | - | - | - | - | - | - | - | - | - | - | - |
| MX123 CONN ASSY 73 CKT BLK OPT9 KEY A/48 | 345668783 | C-HSG-A9 | G-CAP-9-P | TPA-A9 | RS | LS | MAL | CPA | MSEAL | RSEAL | - | - | - | - | - | 67 | - | - | - | - | 62 | - | - | 59 | 58 | - | - | 55 | - | - | | | | | | | | | | | | |
| | | | | | | | | | | | - | - | - | - | - | 47 | - | - | - | - | 42 | 41 | - | - | - | - | - | 35 | - | - | - | - | - | - | - | - | - | - | - | - | - | |
| | | | | | | | | | | | - | - | - | - | 16 | - | - | - | - | 11 | 10 | 9 | 8 | - | - | - | - | 4 | 3 | - | 1 | - | - | - | - | - | - | - | - | - | - | - |
| MX123 CONN ASSY 73 CKT BLU OPT9 KEY C/38 | 345668793 | C-HSG-C9 | G-CAP-9-P | TPA-C9 | RS | LS | MAL | CPA | MSEAL | RSEAL | 72 | - | - | 69 | 68 | - | - | - | 64 | 63 | 62 | - | - | 59 | 58 | - | 56 | 55 | - | 53 | | | | | | | | | | | | |
| | | | | | | | | | | | - | - | - | - | - | 46 | - | - | 43 | 42 | - | 40 | 39 | 38 | - | 36 | 35 | - | - | - | - | - | - | - | - | - | - | - | - | - | - | |
| | | | | | | | | | | | - | - | - | - | 31 | 30 | 29 | - | - | 26 | - | 24 | 23 | 22 | 21 | 20 | 19 | - | - | - | - | - | - | - | - | - | - | - | - | - | - | - |
| MX123 CONN ASSY 73 CKT GRY OPT0 KEY B/34 | 345668803 | C-HSG-B0 | G-CAP-0-P | TPA-B0 | RS | LS | MAL | CPA | MSEAL | RSEAL | 72 | 71 | 70 | 69 | - | - | - | - | 64 | 63 | 62 | 61 | 60 | - | - | - | 56 | 55 | - | - | | | | | | | | | | | | |
| | | | | | | | | | | | 52 | - | - | - | - | 47 | - | - | 44 | - | - | 41 | - | - | - | - | 36 | 35 | 34 | - | - | - | - | - | - | - | - | - | - | - | - | |
| | | | | | | | | | | | - | - | - | - | 15 | 14 | - | 12 | 11 | - | - | - | - | - | - | - | - | - | 3 | 2 | 1 | - | - | - | - | - | - | - | - | - | - | - |
| MX123 CONN ASSY 73 CKT GRY OPT9 KEY B/61 | 345668813 | C-HSG-B9 | G-CAP-9-P | TPA-B9 | RS | LS | MAL | CPA | MSEAL | RSEAL | - | - | - | - | - | 66 | - | - | - | 62 | - | - | - | 58 | - | - | - | - | - | | | | | | | | | | | | | |
| | | | | | | | | | | | - | - | - | - | - | - | - | - | - | - | 41 | - | - | 38 | 37 | - | - | - | - | - | - | - | - | - | - | - | - | - | - | - | - | |
| | | | | | | | | | | | - | - | - | - | - | - | - | - | - | - | - | - | - | - | - | 5 | - | - | - | 1 | - | - | - | - | - | - | - | - | - | - | - | - |
| MX123 CONN ASSY 73 CKT BLU OPT9 KEY C/42 | 345668823 | C-HSG-C9 | G-CAP-9-P | TPA-C9 | RS | LS | MAL | CPA | MSEAL | RSEAL | - | - | - | - | 68 | - | - | 65 | - | 63 | 62 | 61 | - | 59 | 58 | 57 | 56 | 55 | - | 53 | | | | | | | | | | | | |
| | | | | | | | | | | | - | - | - | - | 48 | - | - | 45 | - | 43 | 42 | 41 | - | - | 38 | 37 | 36 | 35 | 34 | 33 | - | - | - | - | - | - | - | - | - | - | - | |
| | | | | | | | | | | | - | - | - | - | 32 | 31 | - | - | - | - | - | - | - | - | - | - | 20 | 19 | 18 | - | - | - | - | - | - | - | - | - | - | - | - | - |
| MX123 CONN ASSY 73 CKT BLU OPT9 KEY C/49 | 345668833 | C-HSG-C9 | G-CAP-9-P | TPA-C9 | RS | LS | MAL | CPA | MSEAL | RSEAL | - | 71 | - | 69 | - | - | - | 65 | 64 | - | - | 61 | 60 | - | 58 | - | 56 | 55 | - | - | | | | | | | | | | | | |
| | | | | | | | | | | | - | - | 50 | - | - | - | - | 45 | - | 43 | 42 | - | - | - | 38 | - | - | - | - | - | - | - | - | - | - | - | - | - | - | - | - | |
| | | | | | | | | | | | - | - | - | - | 31 | - | 29 | 28 | - | - | - | - | 23 | - | - | - | - | 19 | 18 | - | - | - | - | - | - | - | - | - | - | - | - | - |
| MX123 CONN ASSY 73 CKT BLU OPT0 KEY C/42 | 345668843 | C-HSG-C0 | G-CAP-0-P | TPA-C0 | RS | LS | MAL | CPA | MSEAL | RSEAL | - | - | - | - | 68 | - | - | 65 | - | 63 | 62 | 61 | 60 | 59 | 58 | 57 | 56 | 55 | - | 53 | | | | | | | | | | | | |
| | | | | | | | | | | | - | - | - | - | 48 | - | - | 45 | - | 43 | 42 | - | 40 | - | - | 37 | 36 | 35 | 34 | 33 | - | - | - | - | - | - | - | - | - | - | - | |
| | | | | | | | | | | | - | - | - | - | 32 | 31 | - | - | - | - | - | - | - | - | - | - | 20 | 19 | 18 | - | - | - | - | - | - | - | - | - | - | - | - | - |
| MX123 CONN ASSY 73 CKT GRY OPT0 KEY B/36 | 345668853 | C-HSG-B0 | G-CAP-0-P | TPA-B0 | RS | LS | MAL | CPA | MSEAL | RSEAL | - | 71 | 70 | 69 | - | - | 66 | 65 | 64 | - | - | - | - | - | 58 | 57 | 56 | - | 54 | 53 | | | | | | | | | | | | |
| | | | | | | | | | | | - | 51 | 50 | 49 | - | - | - | 45 | - | - | 42 | - | - | 39 | - | - | - | - | - | - | - | - | - | - | - | - | - | - | - | - | - | |
| | | | | | | | | | | | - | - | - | - | 32 | 31 | - | 29 | 28 | - | 26 | 25 | 24 | 23 | - | - | - | - | - | - | - | - | - | - | - | - | - | - | - | - | - | - |
| MX123 CONN ASSY 73 CKT GRY OPT0 KEY B/44 | 345668863 | C-HSG-B0 | G-CAP-0-P | TPA-B0 | RS | LS | MAL | CPA | MSEAL | RSEAL | - | - | - | - | 68 | 67 | 66 | 65 | - | - | 62 | - | 60 | 59 | - | - | - | - | 54 | 53 | | | | | | | | | | | | |
| | | | | | | | | | | | - | - | - | - | 48 | 47 | 46 | 45 | 44 | - | 42 | 41 | 40 | 39 | - | - | - | - | 35 | 34 | - | - | - | - | - | - | - | - | - | - | - | |
| | | | | | | | | | | | - | - | - | - | 31 | - | - | - | 27 | - | - | - | - | - | - | - | - | 19 | 18 | 17 | - | - | - | - | - | - | - | - | - | - | - | - |
| MX123 CONN ASSY 73 CKT GRY OPT0 KEY B/46 | 345668873 | C-HSG-B0 | G-CAP-0-P | TPA-B0 | RS | LS | MAL | CPA | MSEAL | RSEAL | - | - | - | - | 68 | 67 | 66 | 65 | - | - | 62 | - | 60 | 59 | - | - | - | - | 54 | 53 | | | | | | | | | | | | |
| | | | | | | | | | | | - | - | - | - | 48 | 47 | 46 | 45 | 44 | - | 42 | 41 | 40 | 39 | - | - | - | - | 35 | 34 | - | - | - | - | - | - | - | - | - | - | - | |
| | | | | | | | | | | | - | - | - | - | - | - | - | - | 27 | - | - | - | - | - | - | - | - | 19 | 18 | 17 | - | - | - | - | - | - | - | - | - | - | - | - |

| ASSEMBLY DESCRIPTION | ASSEMBLY PART NUMBER | CONNECTOR HOUSING | GROMMET CAP | TPA | RIGHT SLIDE | LEFT SLIDE | MATE ASSIST LEVER | CPA | MAT SEAL | RING SEAL | BLOCKED TERMINALS | | | | | | | | | | | | | | | | | | | | STATUS | COMMENTS | INTEGRAL COMPONENTS SOLD SEPARATELY | | | | | | | | | | | | | | |
|--|----------------------|-------------------|-------------|--------|-------------|------------|-------------------|-----|----------|-----------|--|----|----|----|----|----|----|----|----|----|--|----|----|----|----|----|----|----|----|----------|----------|-----------|-------------------------------------|----|-----------|---|---|---|---|---|---|---|---|---|---|---|---|
| | | | | | | | | | | | CAVITY WITH A NUMBER INDICATES BLOCKED TERMINAL POSITION | | | | | | | | | | CAVITY WITHOUT A NUMBER INDICATES OPEN TERMINAL POSITION | | | | | | | | | | | | DRESS COVER | | | | | | | | | | | | | | |
| MX123 CONN ASSY 73 CKT GRY OPT0 KEY B/69 | 345668883 | C-HSG-B0 | G-CAP-0-P | TPA-B0 | RS | LS | MAL | CPA | MSEAL | RSEAL | - | - | - | - | - | - | - | - | - | - | - | 62 | - | - | - | - | - | - | - | - | 54 | 53 | SALEABLE | | 345650003 | | | | | | | | | | | | |
| | | | | | | | | | | | - | - | - | - | - | - | - | - | - | - | 42 | - | - | - | - | - | - | - | - | - | - | - | | | | - | - | - | - | - | - | - | - | - | - | - | - |
| | | | | | | | | | | | - | - | - | - | - | - | - | - | - | - | - | - | - | - | - | - | - | - | - | - | - | - | | | | - | - | - | - | - | - | - | - | - | - | - | - |
| MX123 CONN ASSY 73 CKT BLK OPT0 KEY A/41 | 345668893 | C-HSG-A0 | G-CAP-0-P | TPA-A0 | RS | LS | MAL | CPA | MSEAL | RSEAL | - | 71 | - | 69 | 68 | - | - | - | 64 | - | 62 | 61 | - | - | - | - | - | - | - | - | 54 | 53 | SALEABLE | | 345650003 | | | | | | | | | | | | |
| | | | | | | | | | | | - | - | 50 | - | - | - | - | 44 | - | - | 41 | - | - | - | - | - | - | - | - | - | 20 | 19 | | | | - | - | - | - | - | - | - | - | - | - | - | |
| | | | | | | | | | | | - | - | - | - | - | - | - | - | - | - | - | - | - | - | - | - | - | - | - | - | - | - | | | | - | - | - | - | - | - | - | - | - | - | - | - |
| MX123 CONN ASSY 73 CKT BLK OPT0 KEY A/48 | 345668913 | C-HSG-A0 | G-CAP-0-P | TPA-A0 | RS | LS | MAL | CPA | MSEAL | RSEAL | - | - | - | - | - | 67 | - | - | - | - | 62 | 61 | - | 59 | 58 | - | - | 55 | - | 53 | SALEABLE | | 345650003 | | | | | | | | | | | | | | |
| | | | | | | | | | | | - | - | - | - | - | 47 | - | - | - | - | - | - | - | - | - | - | - | - | - | 20 | | | | 19 | - | - | - | - | - | - | - | - | - | - | - | | |
| | | | | | | | | | | | - | - | - | - | - | - | - | - | - | 27 | 26 | 25 | 24 | - | - | - | 20 | 19 | 18 | 17 | | | | - | - | - | - | - | - | - | - | - | - | - | - | - | - |
| MX123 CONN ASSY 73 CKT BLK OPT0 KEY A/52 | 345668923 | C-HSG-A0 | G-CAP-0-P | TPA-A0 | RS | LS | MAL | CPA | MSEAL | RSEAL | 72 | - | - | - | - | - | 66 | 65 | - | - | - | - | - | - | 58 | - | - | - | - | SALEABLE | | 345650003 | | | | | | | | | | | | | | | |
| | | | | | | | | | | | - | - | - | - | 48 | 47 | - | - | - | - | - | - | - | - | - | - | - | - | 35 | | | | - | 33 | - | - | - | - | - | - | - | - | - | - | - | | |
| | | | | | | | | | | | - | - | - | - | - | 31 | 30 | - | - | - | - | - | 24 | 23 | 22 | - | 20 | 19 | - | | | | 17 | - | - | - | - | - | - | - | - | - | - | - | - | - | |
| MX123 CONN ASSY 73 CKT BLU OPT0 KEY C/30 | 345668933 | C-HSG-C0 | G-CAP-0-P | TPA-C0 | RS | LS | MAL | CPA | MSEAL | RSEAL | - | - | 70 | - | - | 67 | - | - | 64 | - | 62 | 61 | 60 | - | - | 57 | - | 55 | 54 | - | SALEABLE | | 345650003 | | | | | | | | | | | | | | |
| | | | | | | | | | | | 52 | 51 | 50 | 49 | 48 | 47 | 46 | 45 | 44 | - | 42 | 41 | 40 | - | - | 37 | - | 35 | 34 | 33 | | | | - | - | - | - | - | - | - | - | - | - | - | - | | |
| | | | | | | | | | | | - | - | - | - | - | - | - | - | 28 | 27 | 26 | 25 | - | - | - | - | - | 19 | 18 | 17 | | | | - | - | - | - | - | - | - | - | - | - | - | - | - | - |
| MX123 CONN ASSY 73 CKT GRY OPT0 KEY B/24 | 345668943 | C-HSG-B0 | G-CAP-0-P | TPA-B0 | RS | LS | MAL | CPA | MSEAL | RSEAL | - | 71 | 70 | 69 | - | 67 | 66 | 65 | 64 | 63 | - | - | 60 | 59 | 58 | 57 | 56 | - | 54 | 53 | SALEABLE | | 345650003 | | | | | | | | | | | | | | |
| | | | | | | | | | | | - | 51 | 50 | 49 | 48 | 47 | - | 45 | 44 | - | 42 | 41 | - | 39 | 38 | 37 | 36 | 35 | 34 | 33 | | | | - | - | - | - | - | - | - | - | - | - | - | - | - | |
| | | | | | | | | | | | - | - | - | - | 32 | 31 | 30 | 29 | 28 | 27 | 26 | 25 | 24 | 23 | - | - | - | - | - | - | | | | - | - | - | - | - | - | - | - | - | - | - | - | - | 1 |
| MX123 CONN ASSY 73 CKT BLU OPT9 KEY C/43 | 345668953 | C-HSG-C9 | G-CAP-9-P | TPA-C9 | RS | LS | MAL | CPA | MSEAL | RSEAL | - | - | - | - | 68 | - | - | 65 | - | 63 | 62 | 61 | - | 59 | 58 | 57 | 56 | 55 | - | 53 | SALEABLE | | 345650003 | | | | | | | | | | | | | | |
| | | | | | | | | | | | - | - | - | - | 48 | - | - | 45 | - | 43 | 42 | 41 | - | - | - | 37 | 36 | 35 | 34 | 33 | | | | - | - | - | - | - | - | - | - | - | - | - | - | | |
| | | | | | | | | | | | - | - | - | - | 32 | 31 | - | - | - | - | - | - | - | - | - | - | - | 20 | 19 | 18 | | | | - | - | - | - | - | - | - | - | - | - | - | - | - | - |
| MX123 CONN ASSY 73 CKT GRY OPT0 KEY B/31 | 345668963 | C-HSG-B0 | G-CAP-0-P | TPA-B0 | RS | LS | MAL | CPA | MSEAL | RSEAL | - | 71 | 70 | 69 | 68 | 67 | 66 | 65 | 64 | 63 | - | - | - | - | 58 | 57 | 56 | - | 54 | 53 | SALEABLE | | 345650003 | | | | | | | | | | | | | | |
| | | | | | | | | | | | - | 51 | 50 | 49 | - | - | - | 45 | 44 | - | 42 | - | - | 39 | - | - | - | - | - | 34 | | | | 33 | - | - | - | - | - | - | - | - | - | - | - | - | |
| | | | | | | | | | | | - | - | - | - | 32 | 31 | - | 29 | 28 | 27 | 26 | 25 | 24 | 23 | - | - | - | - | - | - | | | | - | - | - | - | - | - | - | - | - | - | - | - | - | - |
| MX123 CONN ASSY 73 CKT BLK OPT0 KEY A/47 | 345668973 | C-HSG-A0 | G-CAP-0-P | TPA-A0 | RS | LS | MAL | CPA | MSEAL | RSEAL | - | - | - | - | - | 67 | - | - | - | - | 62 | 61 | - | 59 | 58 | - | - | 55 | - | 53 | SALEABLE | | 345650003 | | | | | | | | | | | | | | |
| | | | | | | | | | | | - | - | - | - | - | 47 | - | - | - | - | - | 41 | - | - | - | - | - | - | 35 | - | | | | 33 | - | - | - | - | - | - | - | - | - | - | - | | |
| | | | | | | | | | | | - | - | - | - | - | - | - | - | - | 27 | 26 | 25 | 24 | - | - | - | 20 | 19 | 18 | - | | | | - | - | - | - | - | - | - | - | - | - | - | - | - | - |
| MX123 CONN ASSY 73 CKT BLU OPT0 KEY C/38 | 345668983 | C-HSG-C0 | G-CAP-0-P | TPA-C0 | RS | LS | MAL | CPA | MSEAL | RSEAL | 72 | - | - | 69 | 68 | - | - | 65 | - | 63 | 62 | - | - | 59 | 58 | - | 56 | 55 | - | 53 | SALEABLE | | 345650003 | | | | | | | | | | | | | | |
| | | | | | | | | | | | - | - | - | - | - | - | 46 | - | - | 43 | 42 | - | 40 | 39 | 38 | - | 36 | 35 | - | - | | | | - | - | - | - | - | - | - | - | - | - | - | - | | |
| | | | | | | | | | | | - | - | - | - | - | 31 | 30 | 29 | - | - | 26 | - | 24 | 23 | 22 | 21 | 20 | 19 | - | - | | | | - | - | - | - | - | - | - | - | - | - | - | - | - | - |
| MX123 CONN ASSY 73 CKT GRY OPT0 KEY B/12 | 345668993 | C-HSG-B0 | G-CAP-0-P | TPA-B0 | RS | LS | MAL | CPA | MSEAL | RSEAL | 72 | 71 | 70 | 69 | 68 | 67 | - | 65 | 64 | 63 | - | 61 | 60 | 59 | - | 57 | 56 | 55 | 54 | 53 | SALEABLE | | 345650003 | | | | | | | | | | | | | | |
| | | | | | | | | | | | 52 | 51 | 50 | 49 | 48 | 47 | 46 | 45 | 44 | 43 | 42 | - | 40 | 39 | - | - | 36 | 35 | 34 | 33 | | | | - | - | - | - | - | - | - | - | - | - | - | - | - | |
| | | | | | | | | | | | - | - | - | - | 32 | 31 | 30 | 29 | 28 | 27 | 26 | 25 | 24 | 23 | 22 | 21 | 20 | - | - | - | | | | - | - | - | - | - | - | - | - | - | - | - | - | - | - |
| MX123 CONN ASSY 73 CKT GRY OPT0 KEY B/50 | 345669003 | C-HSG-B0 | G-CAP-0-P | TPA-B0 | RS | LS | MAL | CPA | MSEAL | RSEAL | 72 | 71 | 70 | - | - | 67 | - | 65 | 64 | 63 | 62 | 61 | 60 | - | 58 | - | 56 | - | 54 | - | SALEABLE | | 345650003 | | | | | | | | | | | | | | |
| | | | | | | | | | | | 52 | 51 | 50 | - | - | 47 | - | 45 | - | 43 | 42 | 41 | 40 | - | 38 | - | 36 | - | 34 | - | | | | - | - | - | - | - | - | - | - | - | - | - | - | | |
| | | | | | | | | | | | - | - | - | - | 32 | 31 | 30 | - | - | 27 | 26 | 25 | 24 | - | 22 | - | 20 | 19 | - | 17 | | | | - | - | - | - | - | - | - | - | - | - | - | - | - | - |

| ASSEMBLY DESCRIPTION | ASSEMBLY PART NUMBER | CONNECTOR HOUSING | GROMMET CAP | TPA | RIGHT SLIDE | LEFT SLIDE | MATE ASSIST LEVER | CPA | MAT SEAL | RING SEAL | BLOCKED TERMINALS | | | | | | | | | | | | | | | | | | | | STATUS | COMMENTS | INTEGRAL COMPONENTS SOLD SEPARATELY | | | | | | |
|--|----------------------|-------------------|-------------|--------|-------------|------------|-------------------|-----|----------|-----------|--|----|----|----|----|----|----|----|----|----|----|----|----|----|----|----|----|----|----|----------|----------|-----------|-------------------------------------|----|----|----|----|----|----|
| | | | | | | | | | | | CAVITY WITH A NUMBER INDICATES BLOCKED TERMINAL POSITION | | | | | | | | | | | | | | | | | | | | | | DRESS COVER | | | | | | |
| | | | | | | | | | | | CAVITY WITHOUT A NUMBER INDICATES OPEN TERMINAL POSITION | | | | | | | | | | | | | | | | | | | | | | | | | | | | |
| MX123 CONN ASSY 73 CKT BLK OPT0 KEY A/29 | 345669013 | C-HSG-A0 | G-CAP-0-P | TPA-A0 | RS | LS | MAL | CPA | MSEAL | RSEAL | 72 | 71 | 70 | - | - | 67 | 66 | - | - | - | - | - | - | 59 | 58 | 57 | 56 | 55 | 54 | 53 | SALEABLE | | 345650003 | | | | | | |
| | | | | | | | | | | | 52 | 51 | 50 | - | - | 47 | 46 | - | - | - | - | - | - | 39 | - | 37 | 36 | 35 | - | 33 | | | | | | | | | |
| | | | | | | | | | | | | | | | | | | | | | 32 | 31 | 30 | 29 | 28 | 27 | 26 | - | - | - | | | | 21 | - | - | 18 | 17 | |
| | | | | | | | | | | | | | | | | | | | | | 16 | 15 | 14 | 13 | 12 | 11 | 10 | - | 8 | 7 | | | | - | - | - | 3 | 2 | 1 |
| MX123 CONN ASSY 73 CKT GRY OPT0 KEY B/18 | 345669023 | C-HSG-B0 | G-CAP-0-P | TPA-B0 | RS | LS | MAL | CPA | MSEAL | RSEAL | 72 | 71 | 70 | 69 | 68 | 67 | 66 | 65 | 64 | 63 | - | 61 | 60 | - | 58 | 57 | 56 | 55 | 54 | 53 | SALEABLE | | 345650003 | | | | | | |
| | | | | | | | | | | | 52 | 51 | 50 | 49 | 48 | 47 | 46 | 45 | 44 | 43 | - | - | 40 | - | - | 37 | 36 | 35 | 34 | 33 | | | | | | | | | |
| | | | | | | | | | | | | | | | | | | | | | 32 | - | 30 | 29 | 28 | - | 26 | 25 | 24 | - | | | | - | 21 | - | 19 | - | - |
| | | | | | | | | | | | | | | | | | | | | | 16 | - | 14 | 13 | 12 | 11 | 10 | 9 | 8 | - | | | | 6 | 5 | - | - | 2 | 1 |
| MX123 CONN ASSY 73 CKT BLU OPT0 KEY C/43 | 345669033 | C-HSG-C0 | G-CAP-0-P | TPA-C0 | RS | LS | MAL | CPA | MSEAL | RSEAL | - | 71 | - | 69 | 68 | - | 66 | 65 | 64 | - | 62 | 61 | - | - | - | - | - | 54 | 53 | SALEABLE | | 345650003 | | | | | | | |
| | | | | | | | | | | | - | - | - | - | 48 | - | - | - | - | 43 | 42 | 41 | 40 | - | - | 37 | 36 | 35 | - | | | | 33 | | | | | | |
| | | | | | | | | | | | | | | | | | | | | | 32 | - | - | - | - | 27 | - | - | - | | | | - | - | 20 | 19 | 18 | - | |
| | | | | | | | | | | | | | | | | | | | | | - | - | - | - | - | 11 | 10 | - | - | | | | - | - | - | 4 | 3 | 2 | 1 |
| MX123 CONN ASSY 73 CKT BLU OPT0 KEY C/40 | 345669043 | C-HSG-C0 | G-CAP-0-P | TPA-C0 | RS | LS | MAL | CPA | MSEAL | RSEAL | - | - | - | - | 68 | - | - | - | - | 63 | 62 | 61 | 60 | 59 | 58 | 57 | 56 | 55 | - | 53 | SALEABLE | | 345650003 | | | | | | |
| | | | | | | | | | | | - | - | - | - | 48 | - | - | - | - | 43 | 42 | 41 | 40 | - | - | 37 | 36 | 35 | 34 | 33 | | | | | | | | | |
| | | | | | | | | | | | | | | | | | | | | | 32 | 31 | - | - | - | 27 | - | - | - | - | | | | - | 20 | 19 | 18 | - | |
| | | | | | | | | | | | | | | | | | | | | | - | - | - | - | - | 11 | 10 | - | - | - | | | | - | - | 4 | 3 | 2 | 1 |
| MX123 CONN ASSY 73 CKT BLU OPT0 KEY C/49 | 345669053 | C-HSG-C0 | G-CAP-0-P | TPA-C0 | RS | LS | MAL | CPA | MSEAL | RSEAL | - | - | - | - | 67 | - | - | - | - | 63 | 62 | - | - | 59 | 58 | - | - | 55 | - | - | SALEABLE | | 345650003 | | | | | | |
| | | | | | | | | | | | - | - | - | - | 47 | - | - | - | - | - | 41 | - | - | - | - | - | 35 | - | - | | | | | | | | | | |
| | | | | | | | | | | | | | | | | | | | | | 32 | - | - | - | - | 27 | 26 | 25 | 24 | - | | | | - | - | 19 | 18 | 17 | |
| | | | | | | | | | | | | | | | | | | | | | 16 | - | - | - | - | 11 | 10 | 9 | 8 | - | | | | - | - | - | 3 | - | 1 |
| MX123 CONN ASSY 73 CKT GRY OPT0 KEY B/26 | 345669063 | C-HSG-B0 | G-CAP-0-P | TPA-B0 | RS | LS | MAL | CPA | MSEAL | RSEAL | - | 71 | 70 | 69 | - | 67 | 66 | 65 | 64 | 63 | - | - | - | - | 58 | 57 | 56 | - | 54 | 53 | SALEABLE | | 345650003 | | | | | | |
| | | | | | | | | | | | - | 51 | 50 | 49 | 48 | 47 | - | 45 | - | - | 42 | - | - | 39 | 38 | 37 | 36 | 35 | 34 | 33 | | | | | | | | | |
| | | | | | | | | | | | | | | | | | | | | | 32 | 31 | 30 | 29 | 28 | 27 | 26 | 25 | 24 | 23 | | | | - | - | - | - | - | |
| | | | | | | | | | | | | | | | | | | | | | - | - | - | 13 | 12 | 11 | 10 | 9 | - | 7 | | | | - | 5 | - | 3 | 2 | 1 |
| MX123 CONN ASSY 73 CKT GRY OPT0 KEY B/64 | 345669073 | C-HSG-B0 | G-CAP-0-P | TPA-B0 | RS | LS | MAL | CPA | MSEAL | RSEAL | - | - | - | - | - | - | - | - | - | - | 62 | - | - | - | 58 | - | - | - | 54 | 53 | SALEABLE | | 345650003 | | | | | | |
| | | | | | | | | | | | - | - | - | - | - | - | - | - | - | - | 42 | - | - | - | - | - | - | - | - | - | | | | | | | | | |
| | | | | | | | | | | | | | | | | | | | | | - | - | - | - | - | 27 | - | 25 | - | - | | | | - | - | - | - | - | |
| | | | | | | | | | | | | | | | | | | | | | - | - | - | - | - | 11 | 10 | - | - | - | | | | - | - | - | - | - | |
| MX123 CONN ASSY 73 CKT BLK OPT0 KEY A/36 | 345669083 | C-HSG-A0 | G-CAP-0-P | TPA-A0 | RS | LS | MAL | CPA | MSEAL | RSEAL | - | 71 | - | 69 | 68 | - | 66 | 65 | 64 | - | 62 | 61 | - | - | - | - | - | 54 | 53 | SALEABLE | | 345650003 | | | | | | | |
| | | | | | | | | | | | - | - | 50 | 49 | - | - | - | 45 | 44 | - | - | 41 | - | - | - | - | - | - | 34 | | | | 33 | | | | | | |
| | | | | | | | | | | | | | | | | | | | | | 32 | 31 | 30 | 29 | - | - | 26 | 25 | 24 | | | | 23 | - | - | 20 | 19 | - | - |
| | | | | | | | | | | | | | | | | | | | | | 16 | 15 | 14 | 13 | - | - | 10 | - | 8 | | | | - | 6 | 5 | 4 | 3 | - | - |
| MX123 CONN ASSY 73 CKT BLK OPT0 KEY A/35 | 345669093 | C-HSG-A0 | G-CAP-0-P | TPA-A0 | RS | LS | MAL | CPA | MSEAL | RSEAL | - | 71 | - | 69 | 68 | - | 66 | 65 | 64 | - | 62 | 61 | - | - | - | - | - | 54 | 53 | SALEABLE | | 345650003 | | | | | | | |
| | | | | | | | | | | | - | - | 50 | 49 | - | - | - | 45 | 44 | - | - | 41 | - | - | - | - | - | - | 34 | | | | 33 | | | | | | |
| | | | | | | | | | | | | | | | | | | | | | 32 | 31 | 30 | 29 | - | - | 26 | 25 | 24 | | | | 23 | - | - | 20 | 19 | - | - |
| | | | | | | | | | | | | | | | | | | | | | 16 | 15 | 14 | 13 | - | - | 10 | - | 8 | | | | 7 | 6 | 5 | 4 | 3 | - | - |
| MX123 CONN ASSY 73 CKT BLK OPT0 KEY A/30 | 345669103 | C-HSG-A0 | G-CAP-0-P | TPA-A0 | RS | LS | MAL | CPA | MSEAL | RSEAL | 72 | 71 | 70 | 69 | - | 67 | 66 | - | 64 | - | 62 | - | 60 | - | - | 57 | - | 55 | 54 | - | SALEABLE | | 345650003 | | | | | | |
| | | | | | | | | | | | - | - | - | 49 | 48 | - | 46 | 45 | 44 | 43 | 42 | - | 40 | 39 | - | - | - | - | - | - | | | | | | | | | |
| | | | | | | | | | | | | | | | | | | | | | - | - | - | - | - | - | 26 | - | - | - | | | | - | - | - | - | - | |
| | | | | | | | | | | | | | | | | | | | | | - | - | - | - | - | - | - | - | 8 | 7 | | | | 6 | 5 | 4 | 3 | 2 | - |
| MX123 CONN ASSY 73 CKT BLK OPT0 KEY A/50 | 345669113 | C-HSG-A0 | G-CAP-0-P | TPA-A0 | RS | LS | MAL | CPA | MSEAL | RSEAL | - | - | - | - | - | 67 | - | - | - | 63 | 62 | - | - | 59 | 58 | - | - | 55 | - | - | SALEABLE | | 345650003 | | | | | | |
| | | | | | | | | | | | - | - | - | - | - | 47 | - | - | - | - | 41 | - | - | - | - | - | - | 35 | - | - | | | | | | | | | |
| | | | | | | | | | | | | | | | | | | | | | 32 | - | - | - | - | 27 | 26 | 25 | 24 | - | | | | - | - | 19 | 18 | 17 | |
| | | | | | | | | | | | | | | | | | | | | | 16 | - | - | - | - | 11 | - | 9 | 8 | - | | | | - | - | - | 3 | - | 1 |
| MX123 CONN ASSY 73 CKT NAT OPT9 KEY F/57 | 345669143 | C-HSG-F9 | G-CAP-9-P | TPA-F9 | RS | LS | MAL | CPA | MSEAL | RSEAL | - | - | - | 69 | 68 | - | - | - | - | - | - | - | - | - | 58 | 57 | - | - | - | SALEABLE | | 345650003 | | | | | | | |
| | | | | | | | | | | | - | - | - | - | - | - | - | - | - | 43 | 42 | - | - | - | - | - | - | - | - | | | | 33 | | | | | | |
| | | | | | | | | | | | | | | | | | | | | | - | - | 30 | - | - | - | - | - | - | | | | - | - | - | - | 19 | 18 | 17 |
| | | | | | | | | | | | | | | | | | | | | | - | - | - | - | - | - | - | - | - | | | | - | - | - | - | 3 | 2 | 1 |

| ASSEMBLY DESCRIPTION | ASSEMBLY PART NUMBER | CONNECTOR HOUSING | GROMMET CAP | TPA | RIGHT SLIDE | LEFT SLIDE | MATE ASSIST LEVER | CPA | MAT SEAL | RING SEAL | BLOCKED TERMINALS | | | | | | | | | | | | | | | | | | | | STATUS | COMMENTS | INTEGRAL COMPONENTS SOLD SEPARATELY | |
|--|----------------------|-------------------|-------------|--------|-------------|------------|-------------------|-----|----------|-----------|--|----|----|----|----|----|----|----|----|----|----|----|----|----|----|----|----|----|----------|----|-----------|----------|-------------------------------------|-----------|
| | | | | | | | | | | | CAVITY WITH A NUMBER INDICATES BLOCKED TERMINAL POSITION | | | | | | | | | | | | | | | | | | | | | | DRESS COVER | |
| | | | | | | | | | | | CAVITY WITHOUT A NUMBER INDICATES OPEN TERMINAL POSITION | | | | | | | | | | | | | | | | | | | | | | | |
| MX123 CONN ASSY 73 CKT GRY OPT9 KEY B/14 | 345669153 | C-HSG-B9 | G-CAP-9-P | TPA-B9 | RS | LS | MAL | CPA | MSEAL | RSEAL | 72 | 71 | 70 | 69 | 68 | 67 | - | 65 | 64 | 63 | - | 61 | 60 | 59 | - | 57 | 56 | 55 | 54 | 53 | SALEABLE | | 345650003 | |
| | | | | | | | | | | | 52 | 51 | 50 | 49 | 48 | 47 | 46 | 45 | 44 | 43 | 42 | - | 40 | 39 | - | - | 36 | 35 | 34 | 33 | | | | |
| | | | | | | | | | | | - | - | - | - | 32 | 31 | 30 | 29 | 28 | 27 | 26 | 25 | 24 | 23 | 22 | 21 | - | - | - | - | | | | |
| MX123 CONN ASSY 73 CKT GRY OPT9 KEY B/30 | 345669163 | C-HSG-B9 | G-CAP-9-P | TPA-B9 | RS | LS | MAL | CPA | MSEAL | RSEAL | 72 | 71 | 70 | 69 | - | - | - | - | 64 | 63 | - | 61 | - | - | 58 | 57 | 56 | 55 | - | - | SALEABLE | | 345650003 | |
| | | | | | | | | | | | 52 | 51 | 50 | 49 | - | - | - | - | - | 43 | - | - | - | 38 | 37 | 36 | - | - | 33 | | | | | |
| | | | | | | | | | | | - | - | - | - | 32 | - | 30 | 29 | 28 | - | 26 | 25 | 24 | 23 | 22 | 21 | 20 | - | - | - | | | | |
| MX123 CONN ASSY 73 CKT GRY OPT0 KEY B/12 | 345669173 | C-HSG-B0 | G-CAP-0-P | TPA-B0 | RS | LS | MAL | CPA | MSEAL | RSEAL | 72 | 71 | 70 | 69 | 68 | 67 | 66 | - | 64 | 63 | - | 61 | 60 | 59 | - | 57 | 56 | 55 | 54 | 53 | SALEABLE | | 345650003 | |
| | | | | | | | | | | | 52 | 51 | 50 | 49 | 48 | 47 | 46 | 45 | 44 | 43 | 42 | - | 40 | 39 | - | - | 36 | 35 | 34 | 33 | | | | |
| | | | | | | | | | | | - | - | - | - | 32 | 31 | 30 | 29 | 28 | 27 | 26 | 25 | 24 | 23 | 22 | 21 | 20 | - | - | - | | | | |
| MX123 CONN ASSY 73 CKT GRY OPT9 KEY B/62 | 345669183 | C-HSG-B9 | G-CAP-9-P | TPA-B9 | RS | LS | MAL | CPA | MSEAL | RSEAL | - | - | - | - | - | - | 66 | - | - | - | - | - | - | 58 | - | - | - | - | SALEABLE | | 345650003 | | | |
| | | | | | | | | | | | - | - | - | - | - | - | - | - | - | - | - | - | 41 | - | - | 38 | 37 | - | | | | - | - | |
| | | | | | | | | | | | - | - | - | - | - | - | - | - | - | - | - | - | - | - | - | - | 20 | - | | | | 18 | 17 | |
| MX123 CONN ASSY 73 CKT NAT OPT9 KEY F/18 | 345669193 | C-HSG-F9 | G-CAP-9-P | TPA-F9 | RS | LS | MAL | CPA | MSEAL | RSEAL | 72 | 71 | 70 | - | - | 67 | 66 | 65 | 64 | 63 | 62 | 61 | 60 | 59 | - | - | 56 | 55 | 54 | 53 | SALEABLE | | 345650003 | |
| | | | | | | | | | | | 52 | 51 | 50 | 49 | 48 | 47 | 46 | 45 | 44 | - | - | 41 | 40 | 39 | - | - | 36 | 35 | 34 | - | | | | |
| | | | | | | | | | | | - | - | - | - | 32 | 31 | - | 29 | 28 | 27 | 26 | 25 | 24 | 23 | 22 | 21 | 20 | - | - | - | | | | |
| MX123 CONN ASSY 73 CKT BLK OPT0 KEY A/24 | 345669203 | C-HSG-A0 | G-CAP-0-P | TPA-A0 | RS | LS | MAL | CPA | MSEAL | RSEAL | - | - | - | - | - | - | 65 | - | - | - | - | - | 61 | - | - | 58 | 57 | 56 | - | - | - | SALEABLE | | 345650003 |
| | | | | | | | | | | | - | 51 | 50 | - | - | 47 | 46 | 45 | - | - | - | 41 | - | - | - | 37 | 36 | - | - | - | | | | |
| | | | | | | | | | | | - | - | - | - | 32 | 31 | - | - | - | - | 26 | 25 | - | - | 22 | 21 | 20 | - | - | - | | | | |
| MX123 CONN ASSY 73 CKT GRY OPT0 KEY B/46 | 345669213 | C-HSG-B0 | G-CAP-0-P | TPA-B0 | RS | LS | MAL | CPA | MSEAL | RSEAL | 72 | 71 | 70 | 69 | - | - | - | - | - | 63 | 62 | 61 | 60 | - | - | - | 56 | - | - | - | SALEABLE | | 345650003 | |
| | | | | | | | | | | | 52 | - | - | - | - | 47 | - | - | 44 | - | - | - | - | - | - | 36 | - | 34 | - | | | | | |
| | | | | | | | | | | | - | - | - | - | - | - | - | 29 | 28 | 27 | - | 25 | - | - | - | 21 | - | 19 | 18 | 17 | | | | |
| MX123 CONN ASSY 73 CKT GRY OPT9 KEY B/30 | 345669223 | C-HSG-B9 | G-CAP-9-P | TPA-B9 | RS | LS | MAL | CPA | MSEAL | RSEAL | - | 71 | 70 | 69 | 68 | 67 | 66 | 65 | 64 | 63 | - | - | - | - | 58 | 57 | 56 | - | 54 | 53 | SALEABLE | | 345650003 | |
| | | | | | | | | | | | - | 51 | 50 | 49 | - | - | - | 45 | 44 | 43 | 42 | - | - | 39 | - | - | - | - | 34 | 33 | | | | |
| | | | | | | | | | | | - | - | - | - | 32 | 31 | - | 29 | 28 | 27 | 26 | 25 | 24 | 23 | - | - | - | - | - | 17 | | | | |
| MX123 CONN ASSY 73 CKT BLU OPT9 KEY C/40 | 345669233 | C-HSG-C9 | G-CAP-9-P | TPA-C9 | RS | LS | MAL | CPA | MSEAL | RSEAL | 72 | - | 70 | 69 | 68 | - | 66 | - | - | 63 | 62 | - | - | - | 58 | - | 56 | 55 | - | 53 | SALEABLE | | 345650003 | |
| | | | | | | | | | | | - | - | - | 49 | - | - | 46 | - | - | 43 | 42 | - | 40 | - | 38 | - | 36 | 35 | - | - | | | | |
| | | | | | | | | | | | - | - | - | - | - | 31 | 30 | 29 | - | - | 26 | - | 24 | - | 22 | 21 | 20 | 19 | - | 17 | | | | |
| MX123 CONN ASSY 73 CKT GRY OPT9 KEY B/44 | 345669243 | C-HSG-B9 | G-CAP-9-P | TPA-B9 | RS | LS | MAL | CPA | MSEAL | RSEAL | - | - | - | - | 68 | 67 | 66 | 65 | - | - | 62 | - | 60 | 59 | - | - | - | - | 54 | 53 | SALEABLE | | 345650003 | |
| | | | | | | | | | | | - | - | - | - | 48 | 47 | 46 | 45 | 44 | - | 42 | 41 | 40 | 39 | - | - | - | 35 | 34 | - | | | | |
| | | | | | | | | | | | - | - | - | - | - | 31 | - | - | - | 27 | - | - | - | - | - | - | - | 19 | 18 | 17 | | | | |
| MX123 CONN ASSY 73 CKT GRY OPT9 KEY B/61 | 345669253 | C-HSG-B9 | G-CAP-9-P | TPA-B9 | RS | LS | MAL | CPA | MSEAL | RSEAL | - | - | - | - | - | - | 66 | - | - | - | - | - | - | 58 | - | - | - | - | SALEABLE | | 345650003 | | | |
| | | | | | | | | | | | - | - | - | - | - | - | - | - | - | - | - | - | 41 | - | - | 38 | 37 | - | | | | - | - | |
| | | | | | | | | | | | - | - | - | - | - | - | - | - | - | - | - | - | - | - | - | - | 20 | 19 | | | | 18 | 17 | |
| MX123 CONN ASSY 73 CKT GRY OPT9 KEY B/22 | 345669263 | C-HSG-B9 | G-CAP-9-P | TPA-B9 | RS | LS | MAL | CPA | MSEAL | RSEAL | - | 71 | 70 | 69 | - | 67 | 66 | 65 | 64 | 63 | - | - | - | - | 58 | 57 | 56 | - | 54 | 53 | SALEABLE | | 345650003 | |
| | | | | | | | | | | | - | 51 | 50 | 49 | 48 | 47 | - | 45 | 44 | - | 42 | - | - | 39 | 38 | 37 | 36 | 35 | 34 | 33 | | | | |
| | | | | | | | | | | | - | - | - | - | 32 | 31 | 30 | 29 | 28 | 27 | 26 | 25 | 24 | 23 | - | - | - | 19 | 18 | 17 | | | | |

| ASSEMBLY DESCRIPTION | ASSEMBLY PART NUMBER | CONNECTOR HOUSING | GROMMET CAP | TPA | RIGHT SLIDE | LEFT SLIDE | MATE ASSIST LEVER | CPA | MAT SEAL | RING SEAL | BLOCKED TERMINALS | | | | | | | | | | | | | | | | | | STATUS | COMMENTS | INTEGRAL COMPONENTS SOLD SEPARATELY | | | | | | | | | | | | | | | |
|--|----------------------|-------------------|-------------|--------|-------------|------------|-------------------|-----|----------|-----------|--|----|----|----|----|----|----|----|----|----|----|----|----|----|----|----|----|----|--------|----------|-------------------------------------|----|----|----|----|----|----|----|----|----|----|----|----|----|---|---|
| | | | | | | | | | | | CAVITY WITH A NUMBER INDICATES BLOCKED TERMINAL POSITION | | | | | | | | | | | | | | | | | | | | DRESS COVER | | | | | | | | | | | | | | | |
| | | | | | | | | | | | CAVITY WITHOUT A NUMBER INDICATES OPEN TERMINAL POSITION | | | | | | | | | | | | | | | | | | | | | | | | | | | | | | | | | | | |
| MX123 CONN ASSY 73 CKT GRY OPT9 KEY B/57 | 345669273 | C-HSG-B9 | G-CAP-9-P | TPA-B9 | RS | LS | MAL | CPA | MSEAL | RSEAL | - | - | - | - | - | - | 66 | - | - | - | 62 | - | - | - | 58 | - | - | - | - | - | | | | | | | | | | | | | | | | |
| | | | | | | | | | | | 52 | 51 | - | - | - | - | - | - | 45 | - | - | - | 41 | - | - | 38 | 37 | - | - | - | - | - | - | - | - | - | - | - | - | - | - | | | | | |
| | | | | | | | | | | | | | | | | | | | | | | | | | | | | | - | 20 | 19 | 18 | 17 | | | | | | | | | | | | | |
| MX123 CONN ASSY 73 CKT BLK OPT0 KEY A/14 | 345669303 | C-HSG-A0 | G-CAP-0-P | TPA-A0 | RS | LS | MAL | CPA | MSEAL | RSEAL | - | - | 70 | - | - | - | - | 65 | - | - | - | 61 | 60 | - | - | - | - | - | - | - | | | | | | | | | | | | | | | | |
| | | | | | | | | | | | - | - | - | - | - | - | - | - | 45 | - | - | - | 41 | 40 | - | - | - | - | - | - | - | - | - | - | - | - | - | - | - | - | | | | | | |
| | | | | | | | | | | | | | | | | | | | | | | | | | | | | | - | 28 | 26 | 25 | - | - | - | - | - | 18 | - | - | - | - | - | - | - | |
| MX123 CONN ASSY 73 CKT BLK OPT9 KEY A/33 | 345669313 | C-HSG-A9 | G-CAP-9-P | TPA-A9 | RS | LS | MAL | CPA | MSEAL | RSEAL | - | 71 | 70 | 69 | 68 | 67 | 66 | 65 | - | 63 | - | - | 60 | 59 | - | - | - | - | - | - | - | | | | | | | | | | | | | | | |
| | | | | | | | | | | | - | - | 50 | 49 | - | 47 | - | - | 44 | - | 42 | - | - | 39 | 38 | - | 36 | 35 | 34 | 33 | - | - | - | - | - | - | - | - | - | - | | | | | | |
| | | | | | | | | | | | | | | | | | | | | | | | | | | | | | - | 31 | - | - | 28 | - | 26 | - | 24 | 23 | 22 | 21 | - | 19 | 18 | 17 | - | - |
| MX123 CONN ASSY 73 CKT BLK OPT9 KEY A/37 | 345669323 | C-HSG-A9 | G-CAP-9-P | TPA-A9 | RS | LS | MAL | CPA | MSEAL | RSEAL | - | 71 | 70 | 69 | 68 | 67 | 66 | 65 | - | 63 | - | - | 60 | - | - | - | - | - | - | - | - | | | | | | | | | | | | | | | |
| | | | | | | | | | | | - | - | 50 | 49 | - | 47 | - | - | 44 | - | 42 | - | - | 39 | 38 | - | 36 | - | - | 33 | - | - | - | - | - | - | - | - | - | - | | | | | | |
| | | | | | | | | | | | | | | | | | | | | | | | | | | | | | - | 31 | - | - | 28 | - | 26 | - | 24 | 23 | 22 | 21 | - | 19 | 18 | 17 | - | - |
| MX123 CONN ASSY 73 CKT BLK OPT9 KEY A/35 | 345669333 | C-HSG-A9 | G-CAP-9-P | TPA-A9 | RS | LS | MAL | CPA | MSEAL | RSEAL | - | 71 | 70 | 69 | 68 | 67 | 66 | 65 | - | 63 | - | - | 60 | - | - | - | - | - | - | - | - | - | 53 | | | | | | | | | | | | | |
| | | | | | | | | | | | - | - | 50 | 49 | - | 47 | - | - | 44 | - | 42 | - | - | 39 | 38 | - | 36 | - | - | 33 | - | - | - | - | - | - | - | - | - | - | - | | | | | |
| | | | | | | | | | | | | | | | | | | | | | | | | | | | | | - | 31 | - | - | 28 | - | 26 | - | 24 | 23 | 22 | 21 | - | 19 | 18 | 17 | - | - |
| MX123 CONN ASSY 73 CKT BLU OPT9 KEY C/34 | 345669343 | C-HSG-C9 | G-CAP-9-P | TPA-C9 | RS | LS | MAL | CPA | MSEAL | RSEAL | - | 71 | - | - | - | 67 | - | 65 | 64 | - | - | 61 | 60 | 59 | - | 57 | - | - | 54 | - | | | | | | | | | | | | | | | | |
| | | | | | | | | | | | 52 | 51 | 50 | - | 48 | 47 | - | 45 | 44 | - | - | 41 | - | 39 | - | 37 | - | - | 34 | 33 | - | - | - | - | - | - | - | - | - | - | | | | | | |
| | | | | | | | | | | | | | | | | | | | | | | | | | | | | | 32 | - | - | - | 28 | 27 | - | 25 | - | 23 | - | - | - | - | - | - | - | - |
| MX123 CONN ASSY 73 CKT BLK OPT9 KEY A/35 | 345669353 | C-HSG-A9 | G-CAP-9-P | TPA-A9 | RS | LS | MAL | CPA | MSEAL | RSEAL | - | 71 | 70 | 69 | 68 | 67 | 66 | 65 | - | 63 | - | - | 60 | 59 | - | - | - | - | - | - | - | | | | | | | | | | | | | | | |
| | | | | | | | | | | | - | - | 50 | 49 | - | 47 | - | - | 44 | - | 42 | - | - | 39 | 38 | - | 36 | - | - | 33 | - | - | - | - | - | - | - | - | - | - | | | | | | |
| | | | | | | | | | | | | | | | | | | | | | | | | | | | | | - | 31 | - | - | 28 | - | 26 | - | 24 | 23 | 22 | 21 | - | 19 | 18 | 17 | - | - |
| MX123 CONN ASSY 73 CKT BLK OPT9 KEY A/32 | 345669363 | C-HSG-A9 | G-CAP-9-P | TPA-A9 | RS | LS | MAL | CPA | MSEAL | RSEAL | - | 71 | 70 | 69 | 68 | 67 | 66 | 65 | - | 63 | - | - | 60 | 59 | 58 | - | - | - | - | - | - | | | | | | | | | | | | | | | |
| | | | | | | | | | | | - | - | 50 | 49 | 48 | 47 | - | - | 44 | - | 42 | 41 | - | 39 | 38 | - | 36 | - | - | 33 | - | - | - | - | - | - | - | - | - | - | - | | | | | |
| | | | | | | | | | | | | | | | | | | | | | | | | | | | | | - | 31 | - | - | 28 | - | 26 | - | 24 | 23 | 22 | 21 | - | 19 | 18 | 17 | - | - |
| MX123 CONN ASSY 73 CKT BLK OPT9 KEY A/59 | 345669383 | C-HSG-A9 | G-CAP-9-P | TPA-A9 | RS | LS | MAL | CPA | MSEAL | RSEAL | - | - | - | - | - | 67 | 66 | 65 | - | - | - | - | 60 | - | - | - | - | - | - | | | | | | | | | | | | | | | | | |
| | | | | | | | | | | | - | - | - | 49 | - | - | - | - | - | - | 42 | - | - | - | - | 36 | - | - | - | - | - | - | - | - | - | - | - | - | - | - | | | | | | |
| | | | | | | | | | | | | | | | | | | | | | | | | | | | | | - | 31 | - | - | 28 | - | - | - | - | 23 | 22 | 21 | - | - | - | - | - | - |
| MX123 CONN ASSY 73 CKT GRY OPT0 KEY B/62 | 345669393 | C-HSG-B0 | G-CAP-0-P | TPA-B0 | RS | LS | MAL | CPA | MSEAL | RSEAL | - | - | - | - | - | - | 66 | - | - | - | 62 | - | - | - | 58 | - | - | - | - | - | | | | | | | | | | | | | | | | |
| | | | | | | | | | | | - | - | - | - | - | - | - | - | - | - | - | - | - | - | - | - | - | - | 19 | 18 | 17 | - | - | - | - | - | - | - | - | - | | | | | | |
| | | | | | | | | | | | | | | | | | | | | | | | | | | | | | - | - | - | - | - | - | - | - | - | - | - | - | - | - | 5 | - | - | - |
| MX123 CONN ASSY 73 CKT GRY OPT0 KEY B/32 | 345669403 | C-HSG-B0 | G-CAP-0-P | TPA-B0 | RS | LS | MAL | CPA | MSEAL | RSEAL | 72 | 71 | 70 | 69 | - | - | - | - | 64 | 63 | 62 | 61 | 60 | - | - | - | 56 | 55 | - | - | - | | | | | | | | | | | | | | | |
| | | | | | | | | | | | 52 | - | - | - | - | 47 | - | - | 44 | - | - | - | - | - | - | 36 | - | 34 | - | - | - | - | - | - | - | - | - | - | - | - | | | | | | |
| | | | | | | | | | | | | | | | | | | | | | | | | | | | | | - | - | - | 29 | 28 | 27 | - | 25 | - | - | - | 21 | - | 19 | 18 | 17 | - | - |
| MX123 CONN ASSY 73 CKT BLK OPT0 KEY A/43 | 345669423 | C-HSG-A0 | G-CAP-0-P | TPA-A0 | RS | LS | MAL | CPA | MSEAL | RSEAL | - | - | - | 69 | 68 | - | - | 65 | 64 | 63 | 62 | 61 | 60 | 59 | - | - | - | - | - | - | | | | | | | | | | | | | | | | |
| | | | | | | | | | | | - | - | - | 49 | 48 | - | - | 45 | 44 | 43 | 42 | 41 | 40 | - | 38 | - | - | - | 34 | - | - | - | - | - | - | - | - | - | - | - | | | | | | |
| | | | | | | | | | | | | | | | | | | | | | | | | | | | | | - | - | - | - | - | - | - | - | 25 | 24 | 23 | 22 | 21 | 20 | 19 | - | - | - |

| ASSEMBLY DESCRIPTION | ASSEMBLY PART NUMBER | CONNECTOR HOUSING | GROMMET CAP | TPA | RIGHT SLIDE | LEFT SLIDE | MATE ASSIST LEVER | CPA | MAT SEAL | RING SEAL | BLOCKED TERMINALS | | | | | | | | | | | | | | | | | | | STATUS | COMMENTS | INTEGRAL COMPONENTS SOLD SEPARATELY | | | | | | | | | | | | | | | | |
|--|----------------------|-------------------|-------------|--------|-------------|------------|-------------------|-----|----------|-----------|--|----|----|----|----|----|----|----|----|----|----|----|----|----|----|----|----|----|----|----------|----------|-------------------------------------|-----------|----|----|----|----|----|----|----|----|----|----|----|----|----|----|----|
| | | | | | | | | | | | CAVITY WITH A NUMBER INDICATES BLOCKED TERMINAL POSITION | | | | | | | | | | | | | | | | | | | | | DRESS COVER | | | | | | | | | | | | | | | | |
| | | | | | | | | | | | CAVITY WITHOUT A NUMBER INDICATES OPEN TERMINAL POSITION | | | | | | | | | | | | | | | | | | | | | | | | | | | | | | | | | | | | | |
| MX123 CONN ASSY 73 CKT GRY OPT9 KEY B/40 | 345669623 | C-HSG-B9 | G-CAP-9-P | TPA-B9 | RS | LS | MAL | CPA | MSEAL | RSEAL | - | - | - | 69 | 68 | 67 | 66 | 65 | - | - | 62 | - | 60 | 59 | - | - | - | - | 54 | 53 | SALEABLE | | 345650003 | | | | | | | | | | | | | | | |
| | | | | | | | | | | | - | - | - | 49 | 48 | 47 | 46 | 45 | 44 | - | 42 | 41 | 40 | 39 | - | - | - | 35 | 34 | 33 | | | | | | | | | | | | | | | | | | |
| | | | | | | | | | | | - | | | | | | | | | | | | | | | | | | | 19 | | | | 18 | 17 | | | | | | | | | | | | | |
| | | | | | | | | | | | - | | | | | | | | | | | | | | | | | | | 3 | | | | 2 | 1 | | | | | | | | | | | | | |
| MX123 CONN ASSY 73 CKT GRY OPT9 KEY B/60 | 345669633 | C-HSG-B9 | G-CAP-9-P | TPA-B9 | RS | LS | MAL | CPA | MSEAL | RSEAL | - | - | - | - | - | - | 66 | - | - | - | 62 | - | - | - | 58 | - | - | - | - | - | SALEABLE | | 345650003 | | | | | | | | | | | | | | | |
| | | | | | | | | | | | - | - | - | - | - | - | - | - | - | - | - | 41 | - | - | 38 | 37 | - | - | - | - | | | | | | | | | | | | | | | | | | |
| | | | | | | | | | | | - | | | | | | | | | | | | | | | | | | | 19 | | | | 18 | 17 | | | | | | | | | | | | | |
| | | | | | | | | | | | - | | | | | | | | | | | | | | | | | | | 8 | | | | - | 5 | 4 | - | - | 1 | | | | | | | | | |
| MX123 CONN ASSY 73 CKT BLK OPT9 KEY A/20 | 345669643 | C-HSG-A9 | G-CAP-9-P | TPA-A9 | RS | LS | MAL | CPA | MSEAL | RSEAL | 72 | 71 | 70 | - | 68 | 67 | 66 | 65 | - | - | 62 | - | 60 | - | 58 | 57 | 56 | 55 | 54 | 53 | SALEABLE | | 345650003 | | | | | | | | | | | | | | | |
| | | | | | | | | | | | - | 51 | 50 | 49 | - | 47 | 46 | 45 | - | - | 42 | - | 40 | - | - | 37 | 36 | - | - | 33 | | | | | | | | | | | | | | | | | | |
| | | | | | | | | | | | - | | | | | | | | | | | | | | | | | | | 32 | | | | 31 | - | - | 28 | 27 | 26 | 25 | 24 | 23 | 22 | 21 | 20 | 19 | 18 | 17 |
| | | | | | | | | | | | - | | | | | | | | | | | | | | | | | | | 16 | | | | 15 | 14 | 13 | 12 | 11 | - | 9 | 8 | 7 | 6 | - | 4 | 3 | - | 1 |
| MX123 CONN ASSY 73 CKT GRY OPT0 KEY B/52 | 345669663 | C-HSG-B0 | G-CAP-0-P | TPA-B0 | RS | LS | MAL | CPA | MSEAL | RSEAL | - | - | - | - | - | - | - | - | - | - | 62 | - | 60 | 59 | - | - | - | - | - | SALEABLE | | 345650003 | | | | | | | | | | | | | | | | |
| | | | | | | | | | | | - | - | - | - | - | - | - | - | - | - | 43 | 42 | 41 | - | 39 | 38 | - | - | - | | | | - | | | | | | | | | | | | | | | |
| | | | | | | | | | | | - | | | | | | | | | | | | | | | | | | | | | | 31 | - | - | - | 27 | - | - | - | 23 | 22 | - | 20 | 19 | 18 | 17 | |
| | | | | | | | | | | | - | | | | | | | | | | | | | | | | | | | | | | 15 | - | - | - | 11 | - | - | - | 7 | - | - | 4 | 3 | - | - | |
| MX123 CONN ASSY 73 CKT BLU OPT0 KEY C/46 | 345669673 | C-HSG-C0 | G-CAP-0-P | TPA-C0 | RS | LS | MAL | CPA | MSEAL | RSEAL | - | - | - | - | 68 | - | - | - | - | 63 | 62 | 61 | - | 59 | 58 | 57 | - | 55 | - | 53 | SALEABLE | | 345650003 | | | | | | | | | | | | | | | |
| | | | | | | | | | | | - | - | - | - | 48 | - | - | - | - | 43 | 42 | 41 | - | - | - | 37 | 36 | 35 | - | 33 | | | | | | | | | | | | | | | | | | |
| | | | | | | | | | | | - | | | | | | | | | | | | | | | | | | | 32 | | | | - | - | 29 | - | 27 | - | - | - | - | - | - | 19 | 18 | - | |
| | | | | | | | | | | | - | | | | | | | | | | | | | | | | | | | - | | | | - | - | - | 11 | 10 | - | - | - | - | - | - | 3 | 2 | 1 | |
| MX123 CONN ASSY 73 CKT GRY OPT0 KEY B/60 | 345669683 | C-HSG-B0 | G-CAP-0-P | TPA-B0 | RS | LS | MAL | CPA | MSEAL | RSEAL | - | - | - | - | - | - | - | - | - | - | 62 | - | - | 59 | 58 | - | - | - | - | 53 | SALEABLE | | 345650003 | | | | | | | | | | | | | | | |
| | | | | | | | | | | | - | - | - | - | - | - | - | - | - | - | 42 | - | - | 39 | - | - | - | - | - | 34 | | | | - | | | | | | | | | | | | | | |
| | | | | | | | | | | | - | | | | | | | | | | | | | | | | | | | 27 | | | | - | 25 | - | - | - | - | - | - | - | - | - | - | 18 | - | |
| | | | | | | | | | | | - | | | | | | | | | | | | | | | | | | | 11 | | | | 10 | - | - | - | - | - | - | - | - | - | - | - | 2 | - | |
| MX123 CONN ASSY 73 CKT BLK OPT0 KEY A/32 | 345669693 | C-HSG-A0 | G-CAP-0-P | TPA-A0 | RS | LS | MAL | CPA | MSEAL | RSEAL | - | 71 | - | 69 | 68 | - | 66 | 65 | 64 | - | 62 | 61 | - | - | - | - | - | 54 | - | SALEABLE | | 345650003 | | | | | | | | | | | | | | | | |
| | | | | | | | | | | | - | - | 50 | 49 | - | - | 46 | 45 | 44 | - | - | 41 | - | - | - | - | - | - | - | | | | 34 | - | | | | | | | | | | | | | | |
| | | | | | | | | | | | - | | | | | | | | | | | | | | | | | | | | | | 32 | 31 | 30 | 29 | - | 27 | 26 | 25 | 24 | 23 | 22 | 21 | 20 | 19 | - | - |
| | | | | | | | | | | | - | | | | | | | | | | | | | | | | | | | | | | 16 | 15 | 14 | 13 | - | - | 10 | 9 | 8 | 7 | 6 | 5 | 4 | 3 | - | - |
| MX123 CONN ASSY 73 CKT BLK OPT0 KEY A/30 | 345669703 | C-HSG-A0 | G-CAP-0-P | TPA-A0 | RS | LS | MAL | CPA | MSEAL | RSEAL | - | - | - | - | - | 67 | 66 | - | - | - | 62 | - | 60 | - | 58 | - | - | 55 | 54 | 53 | SALEABLE | | 345650003 | | | | | | | | | | | | | | | |
| | | | | | | | | | | | - | - | - | - | 48 | - | 46 | 45 | 44 | 43 | 42 | - | 40 | 39 | - | - | - | 35 | - | - | | | | | | | | | | | | | | | | | | |
| | | | | | | | | | | | - | | | | | | | | | | | | | | | | | | | 26 | | | | 25 | - | - | 22 | 21 | - | - | - | 17 | | | | | | |
| | | | | | | | | | | | - | | | | | | | | | | | | | | | | | | | 15 | | | | 14 | - | - | - | - | - | 8 | 7 | 6 | 5 | 4 | - | - | - | |
| MX123 CONN ASSY 73 CKT GRY OPT0 KEY B/45 | 345669713 | C-HSG-B0 | G-CAP-0-P | TPA-B0 | RS | LS | MAL | CPA | MSEAL | RSEAL | 72 | 71 | 70 | 69 | - | - | - | - | - | 63 | 62 | 61 | 60 | - | - | - | 56 | - | - | - | SALEABLE | | 345650003 | | | | | | | | | | | | | | | |
| | | | | | | | | | | | 52 | - | - | - | - | 47 | - | - | 44 | - | - | 41 | - | - | - | - | 36 | - | 34 | - | | | | | | | | | | | | | | | | | | |
| | | | | | | | | | | | - | | | | | | | | | | | | | | | | | | | - | | | | - | - | 29 | 28 | 27 | - | 25 | - | - | - | 21 | - | 19 | 18 | 17 |
| | | | | | | | | | | | - | | | | | | | | | | | | | | | | | | | 15 | | | | 14 | - | 12 | 11 | - | - | - | - | - | - | - | - | - | - | 1 |
| MX123 CONN ASSY 73 CKT GRY OPT0 KEY B/47 | 345669723 | C-HSG-B0 | G-CAP-0-P | TPA-B0 | RS | LS | MAL | CPA | MSEAL | RSEAL | - | - | - | - | - | - | - | - | - | - | 62 | - | 60 | 59 | - | - | - | - | 54 | 53 | SALEABLE | | 345650003 | | | | | | | | | | | | | | | |
| | | | | | | | | | | | - | - | - | - | - | - | - | - | 44 | - | 42 | 41 | - | 39 | 38 | - | - | 35 | 34 | 33 | | | | | | | | | | | | | | | | | | |
| | | | | | | | | | | | - | | | | | | | | | | | | | | | | | | | 31 | | | | - | - | - | 27 | - | - | - | 23 | 22 | - | 20 | - | 18 | 17 | |
| | | | | | | | | | | | - | | | | | | | | | | | | | | | | | | | 15 | | | | - | - | - | - | - | - | - | 7 | - | - | 4 | 3 | 2 | 1 | |
| MX123 CONN ASSY 73 CKT BLK OPT0 KEY A/32 | 345669733 | C-HSG-A0 | G-CAP-0-P | TPA-A0 | RS | LS | MAL | CPA | MSEAL | RSEAL | - | - | - | 69 | 68 | - | - | 65 | 64 | 63 | 62 | 61 | 60 | - | 58 | 57 | 56 | 55 | 54 | - | SALEABLE | | 345650003 | | | | | | | | | | | | | | | |
| | | | | | | | | | | | - | - | - | 49 | 48 | - | - | 45 | 44 | 43 | 42 | 41 | 40 | - | 38 | - | 36 | - | 34 | - | | | | | | | | | | | | | | | | | | |
| | | | | | | | | | | | - | | | | | | | | | | | | | | | | | | | 32 | | | | 31 | - | - | - | - | 25 | 24 | 23 | 22 | - | 20 | 19 | 18 | - | |
| | | | | | | | | | | | - | | | | | | | | | | | | | | | | | | | 15 | | | | 14 | - | 12 | - | - | 9 | - | - | 6 | 5 | 4 | - | 2 | - | |
| MX123 CONN ASSY 73 CKT GRY OPT0 KEY B/57 | 345669743 | C-HSG-B0 | G-CAP-0-P | TPA-B0 | RS | LS | MAL | CPA | MSEAL | RSEAL | - | - | - | - | - | - | 66 | - | - | - | 62 | - | - | - | 58 | - | - | - | - | SALEABLE | | 345650003 | | | | | | | | | | | | | | | | |
| | | | | | | | | | | | 52 | 51 | - | - | - | - | - | 45 | - | - | - | 41 | - | - | 38 | 37 | - | - | - | | | | - | | | | | | | | | | | | | | | |
| | | | | | | | | | | | - | | | | | | | | | | | | | | | | | | | | | | - | - | - | - | - | - | - | - | - | - | - | 20 | 19 | 18 | 17 | |
| | | | | | | | | | | | - | | | | | | | | | | | | | | | | | | | | | | - | - | - | - | - | - | - | - | - | - | - | 5 | 4 | - | - | 1 |

| ASSEMBLY DESCRIPTION | ASSEMBLY PART NUMBER | CONNECTOR HOUSING | GROMMET CAP | TPA | RIGHT SLIDE | LEFT SLIDE | MATE ASSIST LEVER | CPA | MAT SEAL | RING SEAL | BLOCKED TERMINALS | | | | | | | | | | | | | | | | | | | | STATUS | COMMENTS | INTEGRAL COMPONENTS SOLD SEPARATELY |
|--|----------------------|-------------------|-------------|--------|-------------|------------|-------------------|-----|----------|-----------|--|----|----|----|----|----|----|----|----|----|----|----|----|----|----|----|----|----------|----------|-----------|-----------|-----------|-------------------------------------|
| | | | | | | | | | | | CAVITY WITH A NUMBER INDICATES BLOCKED TERMINAL POSITION | | | | | | | | | | | | | | | | | | | | | | DRESS COVER |
| | | | | | | | | | | | CAVITY WITHOUT A NUMBER INDICATES OPEN TERMINAL POSITION | | | | | | | | | | | | | | | | | | | | | | |
| MX123 CONN ASSY 73 CKT BLU OPT0 KEY C/45 | 345669753 | C-HSG-C0 | G-CAP-0-P | TPA-C0 | RS | LS | MAL | CPA | MSEAL | RSEAL | - | - | - | - | 68 | - | - | - | - | 63 | 62 | 61 | - | 59 | 58 | 57 | - | 55 | - | 53 | SALEABLE | | 345650003 |
| | | | | | | | | | | | - | - | - | - | 48 | - | - | - | - | 43 | - | - | - | - | 38 | 37 | 36 | 35 | 34 | 33 | | | |
| | | | | | | | | | | | - | - | - | - | 32 | - | - | 29 | - | 27 | - | - | - | - | - | - | - | 19 | 18 | 17 | | | |
| | | | | | | | | | | | - | - | - | - | - | - | - | - | 11 | 10 | - | - | - | - | - | - | - | 3 | 2 | 1 | | | |
| MX123 CONN ASSY 73 CKT BLK OPT0 KEY A/33 | 345669773 | C-HSG-A0 | G-CAP-0-P | TPA-A0 | RS | LS | MAL | CPA | MSEAL | RSEAL | - | - | - | 69 | 68 | - | - | 65 | 64 | 63 | 62 | 61 | 60 | - | 58 | 57 | 56 | 55 | 54 | - | SALEABLE | | 345650003 |
| | | | | | | | | | | | - | - | - | 49 | 48 | - | - | 45 | 44 | 43 | 42 | 41 | 40 | - | 38 | - | 36 | - | 34 | - | | | |
| | | | | | | | | | | | - | - | - | 32 | 31 | - | - | - | - | - | - | 25 | 24 | 23 | 22 | - | 20 | 19 | 18 | - | | | |
| | | | | | | | | | | | - | - | 15 | 14 | - | - | - | - | - | - | 9 | - | - | 6 | 5 | 4 | - | 2 | - | - | | | |
| MX123 CONN ASSY 73 CKT GRY OPT0 KEY B/58 | 345669783 | C-HSG-B0 | G-CAP-0-P | TPA-B0 | RS | LS | MAL | CPA | MSEAL | RSEAL | - | - | - | - | - | - | 66 | - | - | - | - | - | - | 58 | - | - | - | - | - | SALEABLE | | 345650003 | |
| | | | | | | | | | | | 52 | 51 | - | - | - | - | - | - | 45 | - | - | - | 41 | - | - | 38 | 37 | - | - | | | | - |
| | | | | | | | | | | | - | - | - | - | - | - | - | - | - | - | - | - | - | - | - | - | 20 | 19 | 18 | | | | 17 |
| | | | | | | | | | | | - | - | - | - | - | - | - | - | - | - | - | - | - | - | - | 5 | 4 | - | - | | | | 1 |
| MX123 CONN ASSY 73 CKT GRY OPT9 KEY B/47 | 345669793 | C-HSG-B9 | G-CAP-9-P | TPA-B9 | RS | LS | MAL | CPA | MSEAL | RSEAL | - | - | 70 | - | - | - | 66 | - | - | - | 62 | - | 60 | 59 | - | - | - | - | - | SALEABLE | | 345650003 | |
| | | | | | | | | | | | - | - | - | - | - | - | 46 | 45 | - | - | 42 | - | 40 | 39 | - | - | - | 35 | 34 | | | | 33 |
| | | | | | | | | | | | - | - | - | 32 | 31 | 30 | - | - | 27 | - | - | - | - | - | 21 | - | 19 | 18 | 17 | | | | |
| | | | | | | | | | | | - | - | 15 | - | - | - | 11 | - | - | - | - | - | - | - | - | - | 3 | 2 | 1 | | | | |
| MX123 CONN ASSY 73 CKT BLK OPT0 KEY A/32 | 345669803 | C-HSG-A0 | G-CAP-0-P | TPA-A0 | RS | LS | MAL | CPA | MSEAL | RSEAL | - | - | - | - | 67 | 66 | - | - | - | 62 | - | 60 | - | 58 | - | - | 55 | 54 | 53 | SALEABLE | | 345650003 | |
| | | | | | | | | | | | - | - | - | - | 48 | - | 46 | 45 | 44 | 43 | 42 | - | 40 | 39 | - | - | - | 35 | - | | | | - |
| | | | | | | | | | | | - | - | - | - | - | - | - | - | - | 26 | 25 | - | - | 22 | 21 | - | - | - | - | | | | 17 |
| | | | | | | | | | | | - | - | 15 | 14 | - | - | - | - | - | - | 8 | 7 | 6 | 5 | 4 | 3 | 2 | - | - | | | | - |
| MX123 CONN ASSY 73 CKT BLK OPT9 KEY A/42 | 345669813 | C-HSG-A9 | G-CAP-9-P | TPA-A9 | RS | LS | MAL | CPA | MSEAL | RSEAL | - | - | - | 69 | 68 | - | - | - | - | - | - | 60 | - | 58 | 57 | 56 | - | - | - | SALEABLE | | 345650003 | |
| | | | | | | | | | | | - | - | 50 | 49 | 48 | - | - | - | - | - | - | 40 | - | 38 | - | - | - | - | - | | | | |
| | | | | | | | | | | | - | - | - | 32 | 31 | - | - | 28 | 27 | 26 | - | 24 | 23 | 22 | 21 | 20 | 19 | - | - | | | | |
| | | | | | | | | | | | - | - | 16 | 15 | 14 | - | 12 | - | 10 | 9 | - | - | 6 | 5 | - | - | 2 | - | - | | | | |
| MX123 CONN ASSY 73 CKT BLK OPT0 KEY A/60 | 345669823 | C-HSG-A0 | G-CAP-0-P | TPA-A0 | RS | LS | MAL | CPA | MSEAL | RSEAL | - | - | - | - | - | - | 66 | - | - | - | 62 | - | - | - | 58 | - | - | - | - | SALEABLE | | 345650003 | |
| | | | | | | | | | | | - | - | - | - | - | - | - | - | - | - | 41 | - | - | 38 | 37 | - | - | - | - | | | | |
| | | | | | | | | | | | - | - | - | - | - | - | - | - | - | - | - | - | - | - | - | 20 | 19 | 18 | 17 | | | | |
| | | | | | | | | | | | - | - | - | - | - | - | - | - | - | - | - | - | - | - | 5 | 4 | - | - | 1 | | | | |
| MX123 CONN ASSY 73 CKT GRY OPT9 KEY B/51 | 345669833 | C-HSG-B9 | G-CAP-9-P | TPA-B9 | RS | LS | MAL | CPA | MSEAL | RSEAL | - | - | - | - | - | 66 | 65 | - | - | 62 | - | 60 | 59 | - | - | - | - | - | SALEABLE | | 345650003 | | |
| | | | | | | | | | | | - | - | - | - | - | - | 46 | 45 | - | - | 42 | - | 40 | 39 | - | - | - | 35 | | | | 34 | - |
| | | | | | | | | | | | - | - | - | 31 | - | - | - | 27 | - | - | - | - | - | - | - | - | 19 | 18 | | | | 17 | |
| | | | | | | | | | | | - | - | 15 | - | - | - | 11 | - | - | - | - | - | - | - | - | - | 3 | 2 | | | | 1 | |
| MX123 CONN ASSY 73 CKT BLK OPT9 KEY A/41 | 345669843 | C-HSG-A9 | G-CAP-9-P | TPA-A9 | RS | LS | MAL | CPA | MSEAL | RSEAL | - | - | - | 69 | 68 | - | - | - | - | - | - | 60 | - | 58 | 57 | 56 | - | - | - | SALEABLE | | 345650003 | |
| | | | | | | | | | | | - | - | - | 49 | 48 | - | - | - | - | - | - | - | 38 | - | - | - | - | - | | | | | |
| | | | | | | | | | | | - | - | - | 32 | 31 | - | - | 28 | 27 | 26 | 25 | 24 | 23 | 22 | 21 | 20 | 19 | - | - | | | | |
| | | | | | | | | | | | - | - | 16 | 15 | 14 | - | 12 | 11 | 10 | 9 | - | - | 6 | 5 | 4 | - | 2 | - | - | | | | |
| MX123 CONN ASSY 73 CKT GRY OPT9 KEY B/62 | 345669853 | C-HSG-B9 | G-CAP-9-P | TPA-B9 | RS | LS | MAL | CPA | MSEAL | RSEAL | - | - | - | - | - | - | 66 | - | - | - | - | - | - | - | - | - | - | SALEABLE | | 345650003 | | | |
| | | | | | | | | | | | - | - | - | - | - | - | - | - | - | - | 41 | - | - | 38 | 37 | - | - | | | | - | - | |
| | | | | | | | | | | | - | - | - | - | - | - | - | - | - | - | - | - | - | - | - | 19 | 18 | | | | 17 | | |
| | | | | | | | | | | | - | - | - | - | - | - | - | - | - | - | 8 | - | - | 5 | 4 | - | - | | | | 1 | | |
| MX123 CONN ASSY 73 CKT GRY OPT0 KEY B/61 | 345669863 | C-HSG-B0 | G-CAP-0-P | TPA-B0 | RS | LS | MAL | CPA | MSEAL | RSEAL | - | - | - | - | - | - | 66 | - | - | - | - | - | - | 58 | - | - | - | - | SALEABLE | | 345650003 | | |
| | | | | | | | | | | | - | - | - | - | - | - | - | - | - | - | 41 | - | - | 38 | 37 | - | - | - | | | | - | |
| | | | | | | | | | | | - | - | - | - | - | - | - | - | - | - | - | - | - | - | - | 20 | 19 | 18 | | | | 17 | |
| | | | | | | | | | | | - | - | - | - | - | - | - | - | - | - | - | - | - | - | 5 | 4 | - | - | | | | 1 | |
| MX123 CONN ASSY 73 CKT BLK OPT0 KEY A/33 | 345669903 | C-HSG-A0 | G-CAP-0-P | TPA-A0 | RS | LS | MAL | CPA | MSEAL | RSEAL | 72 | - | 70 | - | - | 67 | 66 | - | - | 62 | - | 60 | - | - | - | - | 55 | 54 | 53 | SALEABLE | | 345650003 | |
| | | | | | | | | | | | - | 51 | - | - | 48 | - | 46 | 45 | 44 | 43 | 42 | - | 40 | 39 | - | - | - | 35 | - | | | | - |
| | | | | | | | | | | | - | - | - | - | - | - | - | - | 26 | 25 | - | - | 22 | 21 | - | - | - | - | - | | | | |
| | | | | | | | | | | | - | - | 15 | 14 | - | - | - | - | - | - | 8 | 7 | 6 | 5 | 4 | 3 | 2 | - | - | | | | |

| ASSEMBLY DESCRIPTION | ASSEMBLY PART NUMBER | CONNECTOR HOUSING | GROMMET CAP | TPA | RIGHT SLIDE | LEFT SLIDE | MATE ASSIST LEVER | CPA | MAT SEAL | RING SEAL | BLOCKED TERMINALS | | | | | | | | | | | | | | | | | | | | STATUS | COMMENTS | INTEGRAL COMPONENTS SOLD SEPARATELY |
|--|----------------------|-------------------|-------------|--------|-------------|------------|-------------------|-----|----------|-----------|--|----|----|----|----|----|----|----|----|----|----|----|----|----|----|----|----|----|----|----|----------|----------|-------------------------------------|
| | | | | | | | | | | | CAVITY WITH A NUMBER INDICATES BLOCKED TERMINAL POSITION | | | | | | | | | | | | | | | | | | | | | | DRESS COVER |
| | | | | | | | | | | | CAVITY WITHOUT A NUMBER INDICATES OPEN TERMINAL POSITION | | | | | | | | | | | | | | | | | | | | | | |
| MX123 CONN ASSY 73 CKT BLK OPT0 KEY A/41 | 345669913 | C-HSG-A0 | G-CAP-0-P | TPA-A0 | RS | LS | MAL | CPA | MSEAL | RSEAL | - | - | 70 | 69 | - | - | - | - | - | 63 | 62 | 61 | 60 | - | 58 | 57 | 56 | 55 | 54 | 53 | SALEABLE | | 345650003 |
| | | | | | | | | | | | 52 | 51 | - | 49 | - | - | - | - | 44 | 43 | 42 | 41 | - | - | - | 37 | 36 | 35 | 34 | 33 | | | |
| | | | | | | | | | | | | | | | 32 | - | - | 29 | 28 | 27 | 26 | - | - | 23 | - | - | - | 19 | 18 | - | | | |
| | | | | | | | | | | | | | | | 16 | 15 | - | 13 | 12 | 11 | 10 | - | 8 | - | - | - | - | 3 | - | - | | | |
| MX123 CONN ASSY 73 CKT BLK OPT0 KEY A/41 | 345669923 | C-HSG-A0 | G-CAP-0-P | TPA-A0 | RS | LS | MAL | CPA | MSEAL | RSEAL | - | - | 70 | 69 | 68 | - | - | 65 | 64 | 63 | - | - | - | 59 | 58 | - | 56 | - | - | 53 | SALEABLE | | 345650003 |
| | | | | | | | | | | | 52 | - | 50 | 49 | - | 47 | - | - | - | - | - | 41 | 40 | - | 38 | 37 | 36 | - | 34 | - | | | |
| | | | | | | | | | | | | | | | 32 | 31 | 30 | 29 | 28 | 27 | - | - | - | 23 | 22 | 21 | 20 | 19 | 18 | 17 | | | |
| | | | | | | | | | | | | | | | 16 | - | - | 13 | 12 | 11 | 10 | 9 | - | - | - | - | - | - | - | - | | | |
| MX123 CONN ASSY 73 CKT GRY OPT0 KEY B/51 | 345669933 | C-HSG-B0 | G-CAP-0-P | TPA-B0 | RS | LS | MAL | CPA | MSEAL | RSEAL | 72 | 71 | 70 | - | 68 | 67 | 66 | - | - | - | 62 | 61 | 60 | 59 | 58 | 57 | 56 | 55 | 54 | 53 | SALEABLE | | 345650003 |
| | | | | | | | | | | | 52 | 51 | 50 | - | 48 | 47 | 46 | - | - | - | 42 | 41 | 40 | 39 | 38 | 37 | 36 | 35 | 34 | 33 | | | |
| | | | | | | | | | | | | | | | 32 | 31 | 30 | 29 | 28 | 27 | 26 | 25 | 24 | 23 | - | - | - | - | - | - | | | |
| | | | | | | | | | | | | | | | 16 | 15 | 14 | 13 | - | - | 10 | 9 | 8 | 7 | - | - | - | - | - | - | | | |
| MX123 CONN ASSY 73 CKT BLU OPT0 KEY C/38 | 345669943 | C-HSG-C0 | G-CAP-0-P | TPA-C0 | RS | LS | MAL | CPA | MSEAL | RSEAL | 72 | - | 70 | - | 68 | 67 | 66 | - | - | 63 | 62 | - | - | 59 | - | 57 | - | - | - | 53 | SALEABLE | | 345650003 |
| | | | | | | | | | | | 52 | 51 | - | - | 48 | 47 | 46 | - | 44 | - | 42 | - | 40 | 39 | 38 | - | - | - | 34 | 33 | | | |
| | | | | | | | | | | | | | | | 32 | - | 30 | - | - | 27 | 26 | 25 | - | - | 22 | 21 | 20 | - | - | - | | | |
| | | | | | | | | | | | | | | | - | 15 | 14 | - | - | - | 10 | 9 | - | - | 6 | 5 | 4 | - | - | - | | | |
| MX123 CONN ASSY 73 CKT BLK OPT0 KEY A/51 | 345669953 | C-HSG-A0 | G-CAP-0-P | TPA-A0 | RS | LS | MAL | CPA | MSEAL | RSEAL | 72 | 71 | 70 | 69 | 68 | - | 66 | 65 | 64 | 63 | - | 61 | - | 59 | 58 | - | 56 | - | 54 | 53 | SALEABLE | | 345650003 |
| | | | | | | | | | | | 52 | - | 50 | 49 | - | 47 | - | - | - | - | 42 | 41 | 40 | - | 38 | 37 | 36 | - | 34 | 33 | | | |
| | | | | | | | | | | | | | | | 32 | 31 | 30 | 29 | 28 | 27 | 26 | - | 24 | 23 | 22 | 21 | 20 | 19 | 18 | 17 | | | |
| | | | | | | | | | | | | | | | 16 | - | - | 13 | 12 | 11 | 10 | 9 | 8 | - | - | - | - | - | - | 1 | | | |
| MX123 CONN ASSY 73 CKT GRY OPT0 KEY B/24 | 345669963 | C-HSG-B0 | G-CAP-0-P | TPA-B0 | RS | LS | MAL | CPA | MSEAL | RSEAL | 72 | 71 | 70 | 69 | - | - | 66 | 65 | - | - | 62 | 61 | 60 | 59 | - | 57 | 56 | - | 54 | 53 | SALEABLE | | 345650003 |
| | | | | | | | | | | | 52 | 51 | 50 | 49 | 48 | 47 | - | - | 44 | - | 42 | 41 | 40 | 39 | - | 37 | 36 | - | 34 | 33 | | | |
| | | | | | | | | | | | | | | | - | 31 | - | - | - | - | 26 | 25 | 24 | 23 | - | 21 | 20 | - | 18 | - | | | |
| | | | | | | | | | | | | | | | 16 | - | 14 | - | 12 | 11 | - | 9 | 8 | 7 | 6 | 5 | 4 | 3 | 2 | - | | | |
| MX123 CONN ASSY 73 CKT GRY OPT0 KEY B/19 | 345669973 | C-HSG-B0 | G-CAP-0-P | TPA-B0 | RS | LS | MAL | CPA | MSEAL | RSEAL | 72 | 71 | 70 | 69 | - | - | 66 | 65 | - | - | 62 | 61 | 60 | 59 | - | 57 | 56 | 55 | 54 | 53 | SALEABLE | | 345650003 |
| | | | | | | | | | | | 52 | 51 | 50 | 49 | 48 | 47 | - | - | 44 | - | 42 | 41 | 40 | 39 | - | 37 | 36 | 35 | 34 | 33 | | | |
| | | | | | | | | | | | | | | | - | 31 | - | - | - | - | 26 | 25 | 24 | 23 | - | 21 | 20 | 19 | 18 | - | | | |
| | | | | | | | | | | | | | | | 16 | - | 14 | - | 12 | 11 | - | 9 | 8 | 7 | 6 | 5 | 4 | 3 | 2 | 1 | | | |

MX123 52/66/73/80-WAY RECEPTACLE ASSY SEALED PIN OUT SHEET

| UNCHECKED cavity number(s) are OPEN | | | | | | | | | | | | | | | | | | | | | | | | | | | | | | | | | | |
|-------------------------------------|-------------------------------------|-------------------------------------|-------------------------------------|-------------------------------------|-------------------------------------|-------------------------------------|--------------------------|--------------------------|-------------------------------------|-------------------------------------|-------------------------------------|-------------------------------------|-------------------------------------|-------------------------------------|-------------------------------------|-------------------------------------|-------------------------------------|-------------------------------------|-------------------------------------|-------------------------------------|-------------------------------------|-------------------------------------|-------------------------------------|-------------------------------------|-------------------------------------|-------------------------------------|-------------------------------------|-------------------------------------|-------------------------------------|-------------------------------------|-------------------------------------|-------------------------------------|-------------------------------------|--|
| 72 | 71 | 70 | 69 | 68 | 67 | 66 | 65 | 64 | 63 | 62 | 61 | 60 | 59 | 58 | 57 | 56 | 55 | 54 | 53 | | | | | | | | | | | | | | | |
| <input checked="" type="checkbox"/> | <input checked="" type="checkbox"/> | <input checked="" type="checkbox"/> | <input type="checkbox"/> | <input type="checkbox"/> | <input type="checkbox"/> | <input checked="" type="checkbox"/> | <input type="checkbox"/> | <input type="checkbox"/> | <input checked="" type="checkbox"/> | <input checked="" type="checkbox"/> | <input checked="" type="checkbox"/> | <input checked="" type="checkbox"/> | <input checked="" type="checkbox"/> | <input type="checkbox"/> | <input checked="" type="checkbox"/> | <input checked="" type="checkbox"/> | <input checked="" type="checkbox"/> | <input checked="" type="checkbox"/> | <input checked="" type="checkbox"/> | <input checked="" type="checkbox"/> | <input checked="" type="checkbox"/> | <input checked="" type="checkbox"/> | | | | | | | | | | | | |
| 52 | 51 | 50 | 49 | 48 | 47 | 46 | 45 | 44 | 43 | 42 | 41 | 40 | 39 | 38 | 37 | 36 | 35 | 34 | 33 | | | | | | | | | | | | | | | |
| <input checked="" type="checkbox"/> | <input checked="" type="checkbox"/> | <input checked="" type="checkbox"/> | <input checked="" type="checkbox"/> | <input checked="" type="checkbox"/> | <input checked="" type="checkbox"/> | <input checked="" type="checkbox"/> | <input type="checkbox"/> | <input type="checkbox"/> | <input checked="" type="checkbox"/> | <input checked="" type="checkbox"/> | <input checked="" type="checkbox"/> | <input checked="" type="checkbox"/> | <input checked="" type="checkbox"/> | <input checked="" type="checkbox"/> | <input checked="" type="checkbox"/> | <input checked="" type="checkbox"/> | <input checked="" type="checkbox"/> | <input checked="" type="checkbox"/> | <input checked="" type="checkbox"/> | <input checked="" type="checkbox"/> | <input checked="" type="checkbox"/> | <input checked="" type="checkbox"/> | | | | | | | | | | | | |
| | | | | | | | | | | | | 32 | 31 | 30 | 29 | 28 | 27 | 26 | 25 | 24 | 23 | 22 | 21 | 20 | 19 | 18 | 17 | | | | | | | |
| | | | | | | | | | | | | <input type="checkbox"/> | <input checked="" type="checkbox"/> | <input type="checkbox"/> | <input type="checkbox"/> | <input type="checkbox"/> | <input checked="" type="checkbox"/> | <input checked="" type="checkbox"/> | <input checked="" type="checkbox"/> | <input checked="" type="checkbox"/> | <input checked="" type="checkbox"/> | <input checked="" type="checkbox"/> | <input checked="" type="checkbox"/> | <input checked="" type="checkbox"/> | <input checked="" type="checkbox"/> | <input checked="" type="checkbox"/> | <input checked="" type="checkbox"/> | <input checked="" type="checkbox"/> | <input checked="" type="checkbox"/> | <input checked="" type="checkbox"/> | <input checked="" type="checkbox"/> | <input checked="" type="checkbox"/> | <input checked="" type="checkbox"/> | |
| | | | | | | | | | | | | <input checked="" type="checkbox"/> | 16 | 15 | 14 | 13 | 12 | 11 | 10 | 9 | 8 | 7 | 6 | 5 | 4 | 3 | 2 | 1 | | | | | | |
| | | | | | | | | | | | | <input checked="" type="checkbox"/> | <input type="checkbox"/> | <input checked="" type="checkbox"/> | <input type="checkbox"/> | <input checked="" type="checkbox"/> | <input checked="" type="checkbox"/> | <input type="checkbox"/> | <input checked="" type="checkbox"/> | <input checked="" type="checkbox"/> | <input checked="" type="checkbox"/> | <input checked="" type="checkbox"/> | <input checked="" type="checkbox"/> | <input checked="" type="checkbox"/> | <input checked="" type="checkbox"/> | <input checked="" type="checkbox"/> | <input checked="" type="checkbox"/> | <input checked="" type="checkbox"/> | <input checked="" type="checkbox"/> | <input checked="" type="checkbox"/> | <input checked="" type="checkbox"/> | <input checked="" type="checkbox"/> | <input checked="" type="checkbox"/> | |

FOR ADDITIONAL INFORMATION SEE SD-34566-001

| STATUS | GM PART # | HRNS CONN ASSY | | | TPA | GROMMET CAP | | | | | | | | | | | | | | | | | | | | | | | |
|----------------|-----------|----------------|-------------------|------------|--------------|---|----|----|----|----|----|----|----|----|----|----|----|----|----|----|----|----|----|----|----|--|--|--|--|
| | | MATERIAL/PART | WIRE DRESS OPTION | KEY OPTION | COLOR OPTION | NUMBERS INDICATE CAVITIES OPEN FOR CIRCUITS | | | | | | | | | | | | | | | | | | | | | | | |
| | | NUMBER | | | | | | | | | | | | | | | | | | | | | | | | | | | |
| SALEABLE | 12672860 | 34566-0103 | 0 | A | BLACK | | | | | | | | | | | | | | | | | | | | | | | | |
| SALEABLE | 12672862 | 34566-0203 | 0 | B | ST GRY | 72 | 71 | 70 | 69 | 68 | 67 | 66 | 65 | 64 | 63 | 62 | 61 | 60 | 59 | 58 | 57 | 56 | 55 | 54 | 53 | | | | |
| SALEABLE | 12672864 | 34566-0303 | 0 | C | BLUE | 52 | 51 | 50 | 49 | 48 | 47 | 46 | 45 | 44 | 43 | 42 | 41 | 40 | 39 | 38 | 37 | 36 | 35 | 34 | 33 | | | | |
| TOOL DES. REL. | 12615660 | 34566-0403 | 0 | D | BROWN | 73 | | | | 32 | 31 | 30 | 29 | 28 | 27 | 26 | 25 | 24 | 23 | 22 | 21 | 20 | 19 | 18 | 17 | | | | |
| TOOL DES. REL. | 12615661 | 34566-0503 | 0 | E | GREEN | 73 | | | | 16 | 15 | 14 | 13 | 12 | 11 | 10 | 9 | 8 | 7 | 6 | 5 | 4 | 3 | 2 | 1 | | | | |
| SALEABLE | 12672866 | 34566-0603 | 0 | F | NATURAL | | | | | | | | | | | | | | | | | | | | | | | | |
| SALEABLE | 12672872 | 34566-0703 | 0 | G | BLUE | | | | | | | | | | | | | | | | | | | | | | | | |
| SALEABLE | 12672870 | 34566-0803 | 0 | H | ST GRY | 80 | 79 | 78 | 77 | 76 | 75 | 74 | 73 | 72 | 71 | 70 | 69 | 68 | 67 | 66 | 65 | 64 | 63 | 62 | 61 | | | | |
| TOOL DES. REL. | 12672868 | 34566-0903 | 0 | J | BLACK | 60 | 61 | 62 | 63 | 64 | 65 | 66 | 67 | 68 | 69 | 70 | 71 | 72 | 73 | 74 | 75 | 76 | 77 | 78 | 79 | | | | |
| TOOL DES. REL. | TBD | 34566-1003 | 0 | K | BROWN | 40 | 39 | 38 | 37 | 36 | 35 | 34 | 33 | 32 | 31 | 30 | 29 | 28 | 27 | 26 | 25 | 24 | 23 | 22 | 21 | | | | |
| TOOL DES. REL. | TBD | 34566-1103 | 0 | L | GREEN | 20 | 19 | 18 | 17 | 16 | 15 | 14 | 13 | 12 | 11 | 10 | 9 | 8 | 7 | 6 | 5 | 4 | 3 | 2 | 1 | | | | |
| TOOL DES. REL. | TBD | 34566-1203 | 0 | M | NATURAL | | | | | | | | | | | | | | | | | | | | | | | | |
| SALEABLE | 12672861 | 34566-1303 | 9 | A | BLACK | | | | | | | | | | | | | | | | | | | | | | | | |
| SALEABLE | 12672863 | 34566-1403 | 9 | B | ST GRY | 72 | 71 | 70 | 69 | 68 | 67 | 66 | 65 | 64 | 63 | 62 | 61 | 60 | 59 | 58 | 57 | 56 | 55 | 54 | 53 | | | | |
| SALEABLE | 12672865 | 34566-1503 | 9 | C | BLUE | 52 | 51 | 50 | 49 | 48 | 47 | 46 | 45 | 44 | 43 | 42 | 41 | 40 | 39 | 38 | 37 | 36 | 35 | 34 | 33 | | | | |
| TOOL DES. REL. | 12615663 | 34566-1603 | 9 | D | BROWN | 73 | | | | 32 | 31 | 30 | 29 | 28 | 27 | 26 | 25 | 24 | 23 | 22 | 21 | 20 | 19 | 18 | 17 | | | | |
| TOOL DES. REL. | 12615664 | 34566-1703 | 9 | E | GREEN | 73 | | | | 16 | 15 | 14 | 13 | 12 | 11 | 10 | 9 | 8 | 7 | 6 | 5 | 4 | 3 | 2 | 1 | | | | |
| SALEABLE | 12672867 | 34566-1803 | 9 | F | NATURAL | | | | | | | | | | | | | | | | | | | | | | | | |
| SALEABLE | 12672873 | 34566-1903 | 9 | G | BLUE | | | | | | | | | | | | | | | | | | | | | | | | |
| SALEABLE | 12672871 | 34566-2003 | 9 | H | ST GRY | 80 | 79 | 78 | 77 | 76 | 75 | 74 | 73 | 72 | 71 | 70 | 69 | 68 | 67 | 66 | 65 | 64 | 63 | 62 | 61 | | | | |
| TOOL DES. REL. | 12672869 | 34566-2103 | 9 | J | BLACK | 60 | 61 | 62 | 63 | 64 | 65 | 66 | 67 | 68 | 69 | 70 | 71 | 72 | 73 | 74 | 75 | 76 | 77 | 78 | 79 | | | | |
| TOOL DES. REL. | TBD | 34566-2203 | 9 | K | BROWN | 40 | 39 | 38 | 37 | 36 | 35 | 34 | 33 | 32 | 31 | 30 | 29 | 28 | 27 | 26 | 25 | 24 | 23 | 22 | 21 | | | | |
| TOOL DES. REL. | TBD | 34566-2303 | 9 | L | GREEN | 20 | 19 | 18 | 17 | 16 | 15 | 14 | 13 | 12 | 11 | 10 | 9 | 8 | 7 | 6 | 5 | 4 | 3 | 2 | 1 | | | | |
| TOOL DES. REL. | TBD | 34566-2403 | 9 | M | NATURAL | | | | | | | | | | | | | | | | | | | | | | | | |
| SALEABLE | 12672856 | 34822-0013 | 0 | A | BLACK | 64 | 63 | 62 | 61 | 60 | 59 | 58 | 57 | 56 | 55 | 54 | 53 | 52 | 51 | 50 | 49 | 66 | | | | | | | |
| | | | | | | 48 | 47 | 46 | 45 | 44 | 43 | 42 | 41 | 40 | 39 | 38 | 37 | 36 | 35 | 34 | 33 | | | | | | | | |
| SALEABLE | 12672858 | 34822-0033 | 0 | C | BLUE | 65 | | | | 32 | 31 | 30 | 29 | 28 | 27 | 26 | 25 | 24 | 23 | 22 | 21 | 20 | 19 | 18 | 17 | | | | |
| | | | | | | 65 | | | | 16 | 15 | 14 | 13 | 12 | 11 | 10 | 9 | 8 | 7 | 6 | 5 | 4 | 3 | 2 | 1 | | | | |
| SALEABLE | 12672857 | 34822-0023 | 9 | A | BLACK | 64 | 63 | 62 | 61 | 60 | 59 | 58 | 57 | 56 | 55 | 54 | 53 | 52 | 51 | 50 | 49 | 66 | | | | | | | |
| | | | | | | 48 | 47 | 46 | 45 | 44 | 43 | 42 | 41 | 40 | 39 | 38 | 37 | 36 | 35 | 34 | 33 | | | | | | | | |
| SALEABLE | 12672859 | 34822-0043 | 9 | C | BLUE | 65 | | | | 32 | 31 | 30 | 29 | 28 | 27 | 26 | 25 | 24 | 23 | 22 | 21 | 20 | 19 | 18 | 17 | | | | |
| | | | | | | 65 | | | | 16 | 15 | 14 | 13 | 12 | 11 | 10 | 9 | 8 | 7 | 6 | 5 | 4 | 3 | 2 | 1 | | | | |

MX123 52/66/73/80-WAY RECEPTACLE ASSY SEALED PIN OUT SHEET

| STATUS | GM PART # | HRNS CONN ASSY | | | TPA | GROMMET CAP | | | | | | | | | | | | | | | | | | | | | | | | | | | | | | | | | | | | | | | | | | | | | | | | | | | | | | | | | | | | | | | | | | | | | | |
|----------------|----------------|----------------|-------------------|------------|---------|--|----|----|----|----|----|----|----|----|----|----|----|----|----|----|----|----|----|----|----|----|----|---|---|---|---|---|---|---|--|----|----|----|----|----|----|----|----|----|----|----|----|--|----|----|----|----|----|----|----|----|----|----|----|----|----|---|--|----|----|----|----|----|----|----|----|----|----|----|----|--|
| | | MATERIAL/PART | WIRE DRESS OPTION | KEY OPTION | COLOR | NUMBERS INDICATE CAVITIES OPEN FOR CIRCUITS | | | | | | | | | | | | | | | | | | | | | | | | | | | | | | | | | | | | | | | | | | | | | | | | | | | | | | | | | | | | | | | | | | | | | | |
| | | NUMBER | | OPTION | OPTION | | | | | | | | | | | | | | | | | | | | | | | | | | | | | | | | | | | | | | | | | | | | | | | | | | | | | | | | | | | | | | | | | | | | | | | |
| TOOL DES. REL. | 12672852 | 160094-0001 | 0 | A | BLACK | <table border="1"> <tr> <td>52</td> <td>14</td><td>13</td><td>12</td><td>11</td><td>10</td><td>9</td><td>8</td><td>7</td><td>6</td><td>5</td><td>4</td><td>3</td> <td>2</td> </tr> <tr> <td></td> <td>26</td><td>25</td><td>24</td><td>23</td><td>22</td><td>21</td><td>20</td><td>19</td><td>18</td><td>17</td><td>16</td><td>15</td> <td></td> </tr> <tr> <td>51</td> <td>38</td><td>37</td><td>36</td><td>35</td><td>34</td><td>33</td><td>32</td><td>31</td><td>30</td><td>29</td><td>28</td><td>27</td> <td>1</td> </tr> <tr> <td></td> <td>50</td><td>49</td><td>48</td><td>47</td><td>46</td><td>45</td><td>44</td><td>43</td><td>42</td><td>41</td><td>40</td><td>39</td> <td></td> </tr> </table> | | | | | | | | | | | | | | | 52 | 14 | 13 | 12 | 11 | 10 | 9 | 8 | 7 | 6 | 5 | 4 | 3 | 2 | | 26 | 25 | 24 | 23 | 22 | 21 | 20 | 19 | 18 | 17 | 16 | 15 | | 51 | 38 | 37 | 36 | 35 | 34 | 33 | 32 | 31 | 30 | 29 | 28 | 27 | 1 | | 50 | 49 | 48 | 47 | 46 | 45 | 44 | 43 | 42 | 41 | 40 | 39 | |
| 52 | 14 | 13 | 12 | 11 | 10 | | | | | | | | | | | | | | | | 9 | 8 | 7 | 6 | 5 | 4 | 3 | 2 | | | | | | | | | | | | | | | | | | | | | | | | | | | | | | | | | | | | | | | | | | | | | | | | |
| | 26 | 25 | 24 | 23 | 22 | | | | | | | | | | | | | | | | 21 | 20 | 19 | 18 | 17 | 16 | 15 | | | | | | | | | | | | | | | | | | | | | | | | | | | | | | | | | | | | | | | | | | | | | | | | | |
| 51 | 38 | 37 | 36 | 35 | 34 | | | | | | | | | | | | | | | | 33 | 32 | 31 | 30 | 29 | 28 | 27 | 1 | | | | | | | | | | | | | | | | | | | | | | | | | | | | | | | | | | | | | | | | | | | | | | | | |
| | 50 | 49 | 48 | 47 | 46 | | | | | | | | | | | | | | | | 45 | 44 | 43 | 42 | 41 | 40 | 39 | | | | | | | | | | | | | | | | | | | | | | | | | | | | | | | | | | | | | | | | | | | | | | | | | |
| TOOL DES. REL. | N/A | 160094-0002 | 0 | B | ST GRY | | | | | | | | | | | | | | | | | | | | | | | | | | | | | | | | | | | | | | | | | | | | | | | | | | | | | | | | | | | | | | | | | | | | | | | |
| TOOL DES. REL. | 12672854 | 160094-0003 | 0 | C | BLUE | | | | | | | | | | | | | | | | | | | | | | | | | | | | | | | | | | | | | | | | | | | | | | | | | | | | | | | | | | | | | | | | | | | | | | | |
| TOOL DES. REL. | N/A | 160094-0004 | 0 | D | BROWN | | | | | | | | | | | | | | | | | | | | | | | | | | | | | | | | | | | | | | | | | | | | | | | | | | | | | | | | | | | | | | | | | | | | | | | |
| TOOL DES. REL. | N/A | 160094-0005 | 0 | E | GREEN | | | | | | | | | | | | | | | | | | | | | | | | | | | | | | | | | | | | | | | | | | | | | | | | | | | | | | | | | | | | | | | | | | | | | | | |
| TOOL DES. REL. | N/A | 160094-0006 | 0 | F | NATURAL | | | | | | | | | | | | | | | | | | | | | | | | | | | | | | | | | | | | | | | | | | | | | | | | | | | | | | | | | | | | | | | | | | | | | | | |
| TOOL DES. REL. | 12672853 | 160094-0013 | 9 | A | BLACK | <table border="1"> <tr> <td>52</td> <td>14</td><td>13</td><td>12</td><td>11</td><td>10</td><td>9</td><td>8</td><td>7</td><td>6</td><td>5</td><td>4</td><td>3</td> <td>2</td> </tr> <tr> <td></td> <td>26</td><td>25</td><td>24</td><td>23</td><td>22</td><td>21</td><td>20</td><td>19</td><td>18</td><td>17</td><td>16</td><td>15</td> <td></td> </tr> <tr> <td>51</td> <td>38</td><td>37</td><td>36</td><td>35</td><td>34</td><td>33</td><td>32</td><td>31</td><td>30</td><td>29</td><td>28</td><td>27</td> <td>1</td> </tr> <tr> <td></td> <td>50</td><td>49</td><td>48</td><td>47</td><td>46</td><td>45</td><td>44</td><td>43</td><td>42</td><td>41</td><td>40</td><td>39</td> <td></td> </tr> </table> | | | | | | | | | | | | | | | 52 | 14 | 13 | 12 | 11 | 10 | 9 | 8 | 7 | 6 | 5 | 4 | 3 | 2 | | 26 | 25 | 24 | 23 | 22 | 21 | 20 | 19 | 18 | 17 | 16 | 15 | | 51 | 38 | 37 | 36 | 35 | 34 | 33 | 32 | 31 | 30 | 29 | 28 | 27 | 1 | | 50 | 49 | 48 | 47 | 46 | 45 | 44 | 43 | 42 | 41 | 40 | 39 | |
| 52 | 14 | 13 | 12 | 11 | 10 | | | | | | | | | | | | | | | | 9 | 8 | 7 | 6 | 5 | 4 | 3 | 2 | | | | | | | | | | | | | | | | | | | | | | | | | | | | | | | | | | | | | | | | | | | | | | | | |
| | 26 | 25 | 24 | 23 | 22 | | | | | | | | | | | | | | | | 21 | 20 | 19 | 18 | 17 | 16 | 15 | | | | | | | | | | | | | | | | | | | | | | | | | | | | | | | | | | | | | | | | | | | | | | | | | |
| 51 | 38 | 37 | 36 | 35 | 34 | | | | | | | | | | | | | | | | 33 | 32 | 31 | 30 | 29 | 28 | 27 | 1 | | | | | | | | | | | | | | | | | | | | | | | | | | | | | | | | | | | | | | | | | | | | | | | | |
| | 50 | 49 | 48 | 47 | 46 | | | | | | | | | | | | | | | | 45 | 44 | 43 | 42 | 41 | 40 | 39 | | | | | | | | | | | | | | | | | | | | | | | | | | | | | | | | | | | | | | | | | | | | | | | | | |
| TOOL DES. REL. | N/A | 160094-0014 | 9 | B | ST GRY | | | | | | | | | | | | | | | | | | | | | | | | | | | | | | | | | | | | | | | | | | | | | | | | | | | | | | | | | | | | | | | | | | | | | | | |
| TOOL DES. REL. | 12672855 | 160094-0015 | 9 | C | BLUE | | | | | | | | | | | | | | | | | | | | | | | | | | | | | | | | | | | | | | | | | | | | | | | | | | | | | | | | | | | | | | | | | | | | | | | |
| TOOL DES. REL. | N/A | 160094-0016 | 9 | D | BROWN | | | | | | | | | | | | | | | | | | | | | | | | | | | | | | | | | | | | | | | | | | | | | | | | | | | | | | | | | | | | | | | | | | | | | | | |
| TOOL DES. REL. | N/A | 160094-0017 | 9 | E | GREEN | | | | | | | | | | | | | | | | | | | | | | | | | | | | | | | | | | | | | | | | | | | | | | | | | | | | | | | | | | | | | | | | | | | | | | | |
| TOOL DES. REL. | N/A | 160094-0018 | 9 | F | NATURAL | | | | | | | | | | | | | | | | | | | | | | | | | | | | | | | | | | | | | | | | | | | | | | | | | | | | | | | | | | | | | | | | | | | | | | | |
| NA | NA | NA | NA | NA | NA | <table border="1"> <tr> <td colspan="15">73</td> </tr> </table> | | | | | | | | | | | | | | | 73 | | | | | | | | | | | | | | | | | | | | | | | | | | | | | | | | | | | | | | | | | | | | | | | | | | | | | | | |
| 73 | | | | | | | | | | | | | | | | | | | | | | | | | | | | | | | | | | | | | | | | | | | | | | | | | | | | | | | | | | | | | | | | | | | | | | | | | | | | |
| SALEABLE | NOT APPLICABLE | 34566-2503 | 0 | A | BLACK | 72 | 71 | | 69 | 68 | 67 | 66 | | 64 | 63 | 62 | | 59 | | | 56 | | | 53 | | | | | | | | | | | | | | | | | | | | | | | | | | | | | | | | | | | | | | | | | | | | | | | | | | | | |
| | | | | | | | | 50 | | 48 | | 46 | | 44 | 43 | 42 | | 39 | | 36 | 35 | | 33 | | | | | | | | | | | | | | | | | | | | | | | | | | | | | | | | | | | | | | | | | | | | | | | | | | | | | |
| | | | | | | 73 | | | | | | | | | | | | | | | | | | | | | | | | | | | | | | | | | | | | | | | | | | | | | | | | | | | | | | | | | | | | | | | | | | | | | | |
| | | | | | | | | | | 32 | | 30 | 29 | | 27 | | | 23 | | 20 | | | 17 | | | | | | | | | | | | | | | | | | | | | | | | | | | | | | | | | | | | | | | | | | | | | | | | | | | | | |
| | | | | | | | | | | | 14 | 13 | 12 | 11 | | 9 | 8 | | 5 | 4 | 3 | 2 | 1 | | | | | | | | | | | | | | | | | | | | | | | | | | | | | | | | | | | | | | | | | | | | | | | | | | | | | |
| SALEABLE | NOT APPLICABLE | 34566-2603 | 0 | B | ST GRY | | | | 49 | 48 | 47 | | 66 | 65 | | | | 59 | | 57 | | 55 | 53 | | | | | | | | | | | | | | | | | | | | | | | | | | | | | | | | | | | | | | | | | | | | | | | | | | | | | |
| | | | | | | | | | | | | | 44 | | | | | 39 | | 37 | | 35 | 33 | | | | | | | | | | | | | | | | | | | | | | | | | | | | | | | | | | | | | | | | | | | | | | | | | | | | | |
| | | | | | | 73 | | | | | | | | | | | | | | | | | | | | | | | | | | | | | | | | | | | | | | | | | | | | | | | | | | | | | | | | | | | | | | | | | | | | | | |
| | | | | | | | | | | | | 29 | 28 | | | | | 23 | | 21 | | | | | | | | | | | | | | | | | | | | | | | | | | | | | | | | | | | | | | | | | | | | | | | | | | | | | | | | |
| | | | | | | | | | | | | | | | | | | 7 | | | | | | | | | | | | | | | | | | | | | | | | | | | | | | | | | | | | | | | | | | | | | | | | | | | | | | | | | | |
| SALEABLE | NOT APPLICABLE | 34566-2703 | 0 | B | ST GRY | | | | 49 | 48 | 47 | | 65 | | | | | 59 | | 57 | | 55 | 53 | | | | | | | | | | | | | | | | | | | | | | | | | | | | | | | | | | | | | | | | | | | | | | | | | | | | | |
| | | | | | | | | | | | | | 44 | | | | | 39 | | 37 | | 35 | 33 | | | | | | | | | | | | | | | | | | | | | | | | | | | | | | | | | | | | | | | | | | | | | | | | | | | | | |
| | | | | | | 73 | | | | | | | | | | | | | | | | | | | | | | | | | | | | | | | | | | | | | | | | | | | | | | | | | | | | | | | | | | | | | | | | | | | | | | |
| | | | | | | | | | | | | | 29 | 28 | | | | 23 | | 21 | | | | | | | | | | | | | | | | | | | | | | | | | | | | | | | | | | | | | | | | | | | | | | | | | | | | | | | | |
| | | | | | | | | | | | | | | | | | | 7 | | | | | | | | | | | | | | | | | | | | | | | | | | | | | | | | | | | | | | | | | | | | | | | | | | | | | | | | | | |
| SALEABLE | TBD | 34566-2803 | 0 | H | ST GRY | | | | | | | | | | | | | | | | | | | | | | | | | | | | | | | | | | | | | | | | | | | | | | | | | | | | | | | | | | | | | | | | | | | | | | | |
| SALEABLE | NOT APPLICABLE | 34566-2903 | 0 | A | BLACK | 72 | 71 | 70 | 69 | 68 | 67 | 66 | | 64 | 63 | 62 | 61 | | 59 | | | 55 | 54 | 53 | | | | | | | | | | | | | | | | | | | | | | | | | | | | | | | | | | | | | | | | | | | | | | | | | | | | |
| | | | | | | 52 | 51 | | 49 | 48 | | | | 44 | 43 | 42 | 41 | | 39 | | | 35 | 34 | 33 | | | | | | | | | | | | | | | | | | | | | | | | | | | | | | | | | | | | | | | | | | | | | | | | | | | | |
| | | | | | | 73 | | | | | | | | | | | | | | | | | | | | | | | | | | | | | | | | | | | | | | | | | | | | | | | | | | | | | | | | | | | | | | | | | | | | | | |
| | | | | | | | | | | 32 | 31 | | 29 | | 27 | | 25 | | 23 | | | 19 | 18 | 17 | | | | | | | | | | | | | | | | | | | | | | | | | | | | | | | | | | | | | | | | | | | | | | | | | | | | |
| | | | | | | | | | | 16 | | | 13 | 12 | 11 | | 9 | 8 | 7 | 6 | 5 | 4 | 3 | 2 | 1 | | | | | | | | | | | | | | | | | | | | | | | | | | | | | | | | | | | | | | | | | | | | | | | | | | | |
| SALEABLE | NOT APPLICABLE | 34566-3003 | 0 | A | BLACK | 72 | 71 | 70 | 69 | 68 | 67 | 66 | | 64 | 63 | 62 | | 60 | 59 | 58 | 57 | 56 | 55 | 54 | 53 | | | | | | | | | | | | | | | | | | | | | | | | | | | | | | | | | | | | | | | | | | | | | | | | | | | |
| | | | | | | 52 | 51 | 50 | 49 | 48 | 47 | 46 | | 44 | 43 | 42 | 41 | 40 | 39 | 38 | 37 | 36 | 35 | 34 | 33 | | | | | | | | | | | | | | | | | | | | | | | | | | | | | | | | | | | | | | | | | | | | | | | | | | | |
| | | | | | | 73 | | | | | | | | | | | | | | | | | | | | | | | | | | | | | | | | | | | | | | | | | | | | | | | | | | | | | | | | | | | | | | | | | | | | | | |
| | | | | | | | | | | 32 | 31 | 30 | 29 | 28 | 27 | | 25 | 24 | 23 | 22 | 21 | 20 | 19 | 18 | 17 | | | | | | | | | | | | | | | | | | | | | | | | | | | | | | | | | | | | | | | | | | | | | | | | | | | |
| | | | | | | | | | | 16 | 15 | 14 | 13 | 12 | 11 | | 9 | 8 | 7 | 6 | 5 | 4 | 3 | 2 | 1 | | | | | | | | | | | | | | | | | | | | | | | | | | | | | | | | | | | | | | | | | | | | | | | | | | | |
| SALEABLE | NOT APPLICABLE | 34566-3103 | 0 | B | ST GRY | | | | 49 | 48 | | 46 | | | | 62 | | 59 | | 57 | | 55 | 53 | | | | | | | | | | | | | | | | | | | | | | | | | | | | | | | | | | | | | | | | | | | | | | | | | | | | | |
| | | | | | | | | | | | | | | | 42 | | 39 | | 37 | | 35 | | 33 | | | | | | | | | | | | | | | | | | | | | | | | | | | | | | | | | | | | | | | | | | | | | | | | | | | | | |
| | | | | | | 73 | | | | | | | | | | | | | | | | | | | | | | | | | | | | | | | | | | | | | | | | | | | | | | | | | | | | | | | | | | | | | | | | | | | | | | |
| | | | | | | | | | | | | | 29 | | | 26 | | 23 | | 21 | | | 18 | | | | | | | | | | | | | | | | | | | | | | | | | | | | | | | | | | | | | | | | | | | | | | | | | | | | | |
| | | | | | | | | | | | 15 | | | | | 9 | 8 | 7 | | 4 | 3 | | | | | | | | | | | | | | | | | | | | | | | | | | | | | | | | | | | | | | | | | | | | | | | | | | | | | | | |
| SALEABLE | NOT APPLICABLE | 34566-3203 | 0 | B | ST GRY | | | 50 | 49 | 48 | | 46 | | | | | 60 | 59 | 58 | 57 | 56 | 55 | | 53 | | | | | | | | | | | | | | | | | | | | | | | | | | | | | | | | | | | | | | | | | | | | | | | | | | | | |
| | | | | | | | | | | | | | | | | | | 39 | 38 | 37 | | 35 | 34 | 33 | | | | | | | | | | | | | | | | | | | | | | | | | | | | | | | | | | | | | | | | | | | | | | | | | | | | |
| | | | | | | 73 | | | | | | | | | | | | | | | | | | | | | | | | | | | | | | | | | | | | | | | | | | | | | | | | | | | | | | | | | | | | | | | | | | | | | | |
| | | | | | | | | | | 16 | 15 | 14 | | | | | | 23 | 22 | 21 | | | 18 | | | | | | | | | | | | | | | | | | | | | | | | | | | | | | | | | | | | | | | | | | | | | | | | | | | | | |
| | | | | | | | | | | | | | | | | | | 7 | 6 | 5 | 4 | 3 | | | | | | | | | | | | | | | | | | | | | | | | | | | | | | | | | | | | | | | | | | | | | | | | | | | | | | |
| SALEABLE | NOT APPLICABLE | 34566-3303 | 0 | B | ST GRY | | | 50 | 49 | 48 | | 46 | | | | | | 59 | 58 | 57 | 56 | 55 | | 53 | | | | | | | | | | | | | | | | | | | | | | | | | | | | | | | | | | | | | | | | | | | | | | | | | | | | |
| | | | | | | | | | | | | | | | | | | 39 | 38 | 37 | | 35 | 34 | 33 | | | | | | | | | | | | | | | | | | | | | | | | | | | | | | | | | | | | | | | | | | | | | | | | | | | | |
| | | | | | | 73 | | | | | | | | | | | | | | | | | | | | | | | | | | | | | | | | | | | | | | | | | | | | | | | | | | | | | | | | | | | | | | | | | | | | | | |
| | | | | | | | | | | | | | 29 | | | | | 23 | 22 | 21 | | | 18 | | | | | | | | | | | | | | | | | | | | | | | | | | | | | | | | | | | | | | | | | | | | | | | | | | | | | |
| | | | | | | | | | | | | | | | | | | 7 | 6 | 5 | 4 | 3 | | | | | | | | | | | | | | | | | | | | | | | | | | | | | | | | | | | | | | | | | | | | | | | | | | | | | | |
| SALEABLE | NOT APPLICABLE | 34566-3403 | | | | SEE 34566-3003 | | | | | | | | | | | | | | | | | | | | | | | | | | | | | | | | | | | | | | | | | | | | | | | | | | | | | | | | | | | | | | | | | | | | | | |
| SALEABLE | NOT APPLICABLE | 34566-3503 | 0 | A | BLACK | 72 | 71 | | 69 | 68 | 67 | 66 | | 64 | 63 | 62 | | 60 | 59 | | | | | | | | | | | | | | | | | | | | | | | | | | | | | | | | | | | | | | | | | | | | | | | | | | | | | | | | | |
| | | | | | | 52 | | | 49 | 48 | | 46 | | 44 | 43 | 42 | | 40 | 39 | | | | 35 | 33 | | | | | | | | | | | | | | | | | | | | | | | | | | | | | | | | | | | | | | | | | | | | | | | | | | | | |
| | | | | | | 73 | | | | | | | | | | | | | | | | | | | | | | | | | | | | | | | | | | | | | | | | | | | | | | | | | | | | | | | | | | | | | | | | | | | | | | |
| | | | | | | | | | | 32 | | | 29 | | 27 | | | 24 | 23 | | | | 17 | | | | | | | | | | | | | | | | | | | | | | | | | | | | | | | | | | | | | | | | | | | | | | | | | | | | | |
| | | | | | | | | | | | | 14 | 13 | 12 | 11 | | 9 | 8 | 7 | 6 | 5 | 4 | 3 | 2 | 1 | | | | | | | | | | | | | | | | | | | | | | | | | | | | | | | | | | | | | | | | | | | | | | | | | | | |

MX123 52/66/73/80-WAY RECEPTACLE ASSY SEALED PIN OUT SHEET

| STATUS | GM PART # | HRNS CONN ASSY | | | TPA | GROMMET CAP | | | | | | | | | | | | | | | | | | | | |
|----------|----------------|----------------|-------------------|------------------|--------------------|---|----|----|----|----|----|----|----|----|----|----|----|----|----|----|----|----|----|----|----|----|
| | | MATERIAL/PART | WIRE DRESS OPTION | KEY OPTION Fp | COLOR OPTION Fp | NUMBERS INDICATE CAVITIES OPEN FOR CIRCUITS | | | | | | | | | | | | | | | | | | | | |
| | | NUMBER | | | | Fp | | | | | | | | | | | | | | | | | | | | |
| SALEABLE | NOT APPLICABLE | 34566-3603 | 0 | B | ST GRAY | | | | | 68 | | | | 64 | | | | | 59 | | 57 | | 55 | | 53 | |
| | | | | | | | | 49 | 48 | | 46 | | | | | | | 39 | | 37 | | | | 35 | | 33 |
| | | | | | | 73 | | | | 32 | | | 29 | | | | | | 23 | | 21 | | | | | 18 |
| SALEABLE | NOT APPLICABLE | 34566-3703 | 0 | A | BLACK | | | | | 68 | 67 | 66 | 65 | | | | | 59 | | | | 55 | | 53 | | |
| | | | | | | | | 49 | 48 | 47 | | | 44 | | | | 39 | | | | | 35 | | 33 | | |
| | | | | | | 73 | | | | | | | 29 | 28 | | | | 23 | | | | | | | | |
| SALEABLE | NOT APPLICABLE | 34566-3803 | 0 | A | BLACK | 72 | 71 | | 69 | 68 | 67 | 66 | | 64 | 63 | 62 | | 59 | | | | 56 | | 53 | | |
| | | | | | | | | 50 | | 48 | | 46 | | 44 | 43 | 42 | | 39 | | | | 36 | 35 | | 33 | |
| | | | | | | 73 | | | | 32 | | | 30 | 29 | | | 27 | | 23 | | | | 20 | | | 17 |
| SALEABLE | NOT APPLICABLE | 34566-3903 | 0 | B | ST GRAY | | | | | | | | | 65 | | | | | 59 | | 57 | | 55 | | 53 | |
| | | | | | | | | 49 | 48 | | 46 | | 44 | | | | 39 | | 37 | | | 35 | | 33 | | |
| | | | | | | 73 | | | | | | | 29 | 28 | | | | 24 | 23 | | 21 | | | | | |
| SALEABLE | NOT APPLICABLE | 34566-4003 | 0 | B | ST GRAY | | | | | | 67 | 66 | | 64 | 63 | | | 59 | | 57 | | 55 | | 53 | | |
| | | | | | | | | 50 | 49 | 48 | | | | 43 | | | 39 | | 37 | | | 35 | | 33 | | |
| | | | | | | 73 | | | | 32 | | | 29 | | | 27 | | 24 | 23 | | 21 | | | | 18 | |
| SALEABLE | NOT APPLICABLE | 34566-4103 | 0 | A | BLACK | 72 | 71 | | 69 | 68 | 67 | 66 | | 64 | 63 | 62 | | 59 | | | | 55 | | 53 | | |
| | | | | | | 52 | | | 49 | 48 | | 46 | 45 | 44 | 43 | 42 | | 40 | 39 | | | | 35 | | 33 | |
| | | | | | | 73 | | | | 32 | | | 29 | | | 27 | 26 | | 24 | 23 | | | | | | 17 |
| SALEABLE | NOT APPLICABLE | 34566-4203 | 0 | B | ST GRAY | | | | | | | | | 64 | | | | 59 | | 57 | | 55 | | 53 | | |
| | | | | | | | | 50 | 49 | 48 | | 46 | | | | | 39 | | 37 | | | 35 | | 33 | | |
| | | | | | | 73 | | | | 32 | | | 29 | | | | | 24 | 23 | | 21 | | | | 18 | |
| SALEABLE | NOT APPLICABLE | 34566-4303 | 0 | A | BLACK | | | 70 | 69 | 68 | 67 | | 65 | 64 | 63 | | 61 | | 59 | 58 | 57 | 56 | | | | |
| | | | | | | | | 50 | 49 | 48 | 47 | | | | | 41 | | | 38 | 37 | 36 | | | 34 | 33 | |
| | | | | | | 73 | | | | 32 | 31 | 30 | 29 | 28 | 27 | | | 24 | 23 | | | 20 | 19 | 18 | | |
| SALEABLE | NOT APPLICABLE | 34566-4403 | 0 | A | BLACK | 72 | 71 | | 69 | 68 | 67 | 66 | | 65 | 64 | 63 | | 61 | | 59 | 58 | 57 | 56 | | | |
| | | | | | | | | 50 | 49 | 48 | 47 | | | | | 41 | | | 38 | 37 | 36 | | | 34 | 33 | |
| | | | | | | 73 | | | | 32 | 31 | 30 | 29 | 28 | 27 | | | 24 | 23 | | | 20 | 19 | 18 | | |
| SALEABLE | NOT APPLICABLE | 34566-4503 | 0 | H | ST GRAY | | 79 | 78 | 77 | 76 | 75 | 74 | 73 | 72 | 71 | 70 | 69 | 68 | | 66 | 65 | 64 | 63 | | 61 | |
| | | | | | | 60 | 59 | 58 | 57 | 56 | | | | 53 | | | 50 | | | | | | 44 | 43 | | 41 |
| | | | | | | 40 | 39 | 38 | 37 | | 35 | 34 | 33 | 32 | | | 30 | 29 | | 27 | 26 | | | 24 | 23 | 22 |
| SALEABLE | NOT APPLICABLE | 34566-4603 | 0 | H | ST GRAY | | 79 | 78 | 77 | 76 | 75 | 74 | 73 | 72 | 71 | 70 | 69 | 68 | | 66 | 65 | 64 | 63 | | 61 | |
| | | | | | | 60 | 59 | 58 | 57 | 56 | | | | 53 | | | 50 | | | | | | 44 | 43 | | 41 |
| | | | | | | 40 | 39 | 38 | 37 | | 35 | 34 | 33 | 32 | | | 30 | 29 | | 27 | 26 | | | | | 22 |
| SALEABLE | NOT APPLICABLE | 34566-4703 | 0 | B | ST GRAY | | | | | | 67 | 66 | 65 | 64 | | | | | 59 | 58 | 57 | | 55 | | 53 | |
| | | | | | | | | 49 | 48 | 47 | | | 44 | | | | | 39 | 38 | 37 | | | 35 | | 33 | |
| | | | | | | 73 | | | | | | | 29 | | | | | 23 | 22 | 21 | | | | | | |
| SALEABLE | NOT APPLICABLE | 34566-4803 | 0 | A | BLACK | 72 | 71 | | 69 | 68 | 67 | 66 | | 64 | 63 | 62 | 61 | | 59 | | | | | | 53 | |
| | | | | | | | | | | 48 | | | | 44 | | 42 | 41 | | 39 | | | | | 35 | | 33 |
| | | | | | | 73 | | | | 32 | | | 29 | | | 27 | | 25 | 23 | | | | | | | |
| SALEABLE | NOT APPLICABLE | 34566-4903 | 0 | A | BLACK | 72 | 71 | | 69 | 68 | | 66 | 65 | 64 | 63 | 62 | 61 | | 59 | 58 | 57 | 56 | 55 | | 53 | |
| | | | | | | 52 | 51 | 50 | 49 | | 47 | | | 44 | 43 | | 41 | | | 38 | 37 | 36 | 35 | 34 | | 33 |
| | | | | | | 73 | | | | 32 | 31 | 30 | 29 | 28 | 27 | | | 24 | 23 | | | | | 20 | 19 | 18 |
| SALEABLE | NOT APPLICABLE | 34566-5003 | 0 | H | ST GRAY | | 79 | 78 | 77 | 76 | 75 | 74 | 73 | 72 | 71 | 70 | 69 | 68 | | 66 | 65 | 64 | 63 | | 61 | |
| | | | | | | 60 | 59 | 58 | 57 | 56 | | | | 53 | 52 | | 50 | | | | | | 44 | 43 | | 41 |
| | | | | | | 40 | 39 | 38 | 37 | | 35 | 34 | 33 | 32 | | | 30 | 29 | | 27 | 26 | | | | | 22 |

MX123 52/66/73/80-WAY RECEPTACLE ASSY SEALED PIN OUT SHEET

| STATUS | GM PART # | HRNS CONN ASSY | | | TPA | GROMMET CAP | | | | | | | | | | | | | | | | | | | | | | | | | | | | |
|----------|----------------|----------------|-------------------|------------|--------|--------------|---|----|----|----|----|----|----|----|----|----|----|----|----|----|----|----|----|----|----|----|----|----|----|----|----|----|----|----|
| | | MATERIAL/PART | WIRE DRESS OPTION | KEY OPTION | | COLOR OPTION | NUMBERS INDICATE CAVITIES OPEN FOR CIRCUITS | | | | | | | | | | | | | | | | | | | | | | | | | | | |
| | | NUMBER | | ▽ Fp | ▽ Fp | ▽ Fp | | | | | | | | | | | | | | | | | | | | | | | | | | | | |
| SALEABLE | NOT APPLICABLE | 34566-5103 | 0 | B | ST GRY | | | | | | | | | | | | | | | | 59 | | 57 | | | | 55 | | | 53 | | | | |
| | | | | | | | | | 49 | 48 | 47 | 46 | | | 65 | | 64 | | | | | | | | | 39 | | 37 | | | 35 | | | 33 |
| | | | | | | | | | | | | | | | | | | 29 | | 28 | | | | | | | 23 | | 21 | | | | | |
| SALEABLE | NOT APPLICABLE | 34566-5203 | 0 | A | BLACK | 72 | 71 | | 69 | 68 | 67 | 66 | | 64 | 63 | 62 | | | | | | | 59 | 58 | 57 | 56 | | | 54 | 53 | | | | |
| | | | | | | 52 | 51 | 50 | 49 | 48 | 47 | 46 | | 44 | 43 | 42 | | | | | | | | | 39 | 38 | 37 | 36 | 35 | 34 | 33 | | | |
| | | | | | | | | | | | | | | | | | | 32 | 31 | 30 | 29 | | 27 | | | 24 | 23 | 22 | 21 | 20 | 19 | | 17 | |
| SALEABLE | NOT APPLICABLE | 34566-5303 | 0 | B | ST GRY | | | | | | | | | | | | | | | | | 59 | | 57 | | | | 55 | | | 53 | | | |
| | | | | | | | | | 50 | 49 | 48 | | 46 | | | | | | | | | | | | | 39 | | 37 | | | 35 | | | 33 |
| | | | | | | | | | | | | | | | | | | 32 | | | 29 | | | | | | 23 | | 21 | | | | | |
| SALEABLE | NOT APPLICABLE | 34566-5403 | 0 | B | ST GRY | | | | | | | | | | | | | | | | | 59 | 58 | 57 | 56 | | | 55 | | | 53 | | | |
| | | | | | | | | | 50 | 49 | 48 | | 46 | 45 | | | | | | | | | | | | 39 | 38 | 37 | | 35 | 34 | 33 | | |
| | | | | | | | | | | | | | | | | | | 32 | | | 29 | | | | | | 23 | 22 | 21 | | | | | 18 |
| SALEABLE | NOT APPLICABLE | 34566-5503 | 0 | A | BLACK | 72 | 71 | | 69 | 68 | 67 | 66 | | 64 | 63 | 62 | | | | | | | 59 | | | | | | | | | 53 | | |
| | | | | | | 52 | | | 49 | 48 | | 46 | | 44 | 43 | 42 | | | | | | | | | | 39 | | | | 35 | | | 33 | |
| | | | | | | | | | | | | | | | | | | 32 | | | 29 | | 27 | 26 | | 24 | 23 | | | | | | | 17 |
| SALEABLE | NOT APPLICABLE | 34566-5603 | SEE 34566-2503 | | | | | | | | | | | | | | | | | | | | | | | | | | | | | | | |
| SALEABLE | NOT APPLICABLE | 34566-5703 | 0 | B | ST GRY | | | | | 68 | | | | | | | | | | | | | 59 | | 57 | | | | 55 | | | 53 | | |
| | | | | | | | | | 49 | 48 | | 46 | | | | | | | | | | | | | | 39 | | 37 | | | 35 | | | 33 |
| | | | | | | | | | | | | | | | | | | 29 | | | | | | | | | 23 | | 21 | | | 18 | | 17 |
| SALEABLE | NOT APPLICABLE | 34566-5803 | 0 | B | ST GRY | | | | | | | | | | | | | | | | | 59 | | 57 | | | | 55 | | | 53 | | | |
| | | | | | | | | | 49 | 48 | 47 | | | | | | | | | | | | | | | 39 | | 37 | | | 35 | | | 33 |
| | | | | | | | | | | | | | | | | | | 29 | | | | | | | | | 23 | | 21 | | | | | 17 |
| SALEABLE | NOT APPLICABLE | 34566-5903 | 0 | A | BLACK | 72 | 71 | | 69 | 68 | 67 | 66 | | 64 | 63 | 62 | | | | | | | 59 | | | | | | | | | 53 | | |
| | | | | | | | | | | 48 | | | | 44 | 43 | 42 | | | | | | | | | | 39 | | | | 35 | | | 33 | |
| | | | | | | | | | | | | | | | | | | 32 | | | 29 | | 27 | | | 23 | | | | | | | | 17 |
| SALEABLE | NOT APPLICABLE | 34566-6003 | 0 | B | ST GRY | | | | | | | | | | | | | | | | | | 59 | | 57 | | | | 55 | | | 53 | | |
| | | | | | | | | | 49 | 48 | 47 | | | | | | | | | | | | | | | 39 | | 37 | | | 35 | | | 33 |
| | | | | | | | | | | | | | | | | | | 29 | | | | | | | | | 23 | | 21 | | | | | |
| SALEABLE | NOT APPLICABLE | 34566-6103 | 0 | B | ST GRY | | | | | | | | | | | | | | | | | | 59 | | 57 | | | | 55 | | | 53 | | |
| | | | | | | | | | 49 | 48 | 47 | | | | | | | | | | | | | | | 39 | | 37 | | | 35 | | | 33 |
| | | | | | | | | | | | | | | | | | | 29 | | | | | 26 | | | 23 | | 21 | | | | | | |
| SALEABLE | NOT APPLICABLE | 34566-6203 | 0 | A | BLACK | | 71 | 70 | 69 | 68 | | | | 65 | 64 | 63 | | 61 | | | | | | 59 | | 57 | 56 | | | | | 53 | | |
| | | | | | | 52 | 51 | 50 | 49 | | 47 | | | | | | 41 | | | | | | | | | 38 | 37 | 36 | | | 34 | 33 | | |
| | | | | | | | | | | | | | | | | | | 32 | 31 | 30 | 29 | 28 | 27 | | 24 | 23 | | | | 20 | 19 | 18 | | 1 |
| SALEABLE | NOT APPLICABLE | 34566-6303 | 0 | A | BLACK | | 71 | 70 | 69 | 68 | | | | 65 | 64 | 63 | | 61 | | | | | | 59 | | 57 | 56 | | | | | 53 | | |
| | | | | | | 52 | 51 | 50 | 49 | | 47 | | | | | | 41 | | | | | | | | | 38 | 37 | 36 | | | 34 | 33 | | |
| | | | | | | | | | | | | | | | | | | 32 | 31 | 30 | 29 | 28 | 27 | | 24 | 23 | | | | 20 | 19 | 18 | | 1 |
| SALEABLE | NOT APPLICABLE | 34566-6403 | 0 | A | BLACK | | 71 | | 69 | 68 | | | | 65 | 64 | 63 | | 61 | | | | | | 59 | 58 | | 56 | | | | | 53 | | |
| | | | | | | 52 | | 50 | 49 | | 47 | | | | | | 41 | | | | | | | | | 38 | 37 | 36 | | | 34 | 33 | | |
| | | | | | | | | | | | | | | | | | | 32 | 31 | 30 | 29 | 28 | 27 | | 24 | 23 | | | | 20 | 19 | 18 | | 1 |
| SALEABLE | NOT APPLICABLE | 34566-6503 | 0 | A | BLACK | | 71 | | 69 | 68 | | | | 65 | 64 | 63 | | 61 | | | | | | 59 | 58 | | 56 | | | | | 53 | | |
| | | | | | | 52 | | 50 | 49 | | 47 | | | | | | 41 | | | | | | | | | 38 | 37 | 36 | | | 34 | 33 | | |
| | | | | | | | | | | | | | | | | | | 32 | 31 | 30 | 29 | 28 | 27 | | 24 | 23 | | | | 20 | 19 | 18 | | 1 |

MX123 52/66/73/80-WAY RECEPTACLE ASSY SEALED PIN OUT SHEET

| STATUS | GM PART # | HRNS CONN ASSY | | | TPA | GROMMET CAP | | | | | | | | | | | | | | | | | | | | | | | | | | | |
|----------|----------------|----------------|-------------------|---------------------------|-----------------------------|---|----|----|----|----|----|----|----|----|----|--|--|--|--|--|--|--|--|--|--|--|--|--|--|--|--|--|--|
| | | MATERIAL/PART | WIRE DRESS OPTION | KEY OPTION ∇ Fp | COLOR OPTION ∇ Fp | NUMBERS INDICATE CAVITIES OPEN FOR CIRCUITS | | | | | | | | | | | | | | | | | | | | | | | | | | | |
| | | NUMBER | | | | ∇ Fp | | | | | | | | | | | | | | | | | | | | | | | | | | | |
| SALEABLE | NOT APPLICABLE | 34566-6603 | 0 | H | ST GRN | | | | | | | | | | | | | | | | | | | | | | | | | | | | |
| | | | | | | 60 | 59 | 58 | 57 | 56 | | | 53 | 52 | | | | | | | | | | | | | | | | | | | |
| | | | | | | 40 | 39 | 38 | 37 | | 35 | 34 | 33 | 32 | | | | | | | | | | | | | | | | | | | |
| | | | | | | 20 | 19 | 18 | 17 | 16 | | | | 13 | 12 | | | | | | | | | | | | | | | | | | |
| SALEABLE | NOT APPLICABLE | 34566-6703 | 0 | H | ST GRN | | | | | | | | | | | | | | | | | | | | | | | | | | | | |
| | | | | | | 60 | 59 | 58 | 57 | 56 | | | 53 | | | | | | | | | | | | | | | | | | | | |
| | | | | | | 40 | 39 | 38 | 37 | | 35 | 34 | 33 | 32 | | | | | | | | | | | | | | | | | | | |
| | | | | | | 20 | 19 | 18 | 17 | | | | 14 | 13 | 12 | | | | | | | | | | | | | | | | | | |
| SALEABLE | NOT APPLICABLE | 34566-6803 | 0 | B | ST GRN | | | | | | | | | | | | | | | | | | | | | | | | | | | | |
| | | | | | | | | | | | | | | | | | | | | | | | | | | | | | | | | | |
| | | | | | | | | | | | | | | | | | | | | | | | | | | | | | | | | | |
| | | | | | | | | | | | | | | | | | | | | | | | | | | | | | | | | | |
| SALEABLE | NOT APPLICABLE | 34566-6903 | 0 | B | ST GRN | | | | | | | | | | | | | | | | | | | | | | | | | | | | |
| | | | | | | | | | | | | | | | | | | | | | | | | | | | | | | | | | |
| | | | | | | | | | | | | | | | | | | | | | | | | | | | | | | | | | |
| | | | | | | | | | | | | | | | | | | | | | | | | | | | | | | | | | |
| SALEABLE | NOT APPLICABLE | 34566-7003 | 0 | B | ST GRN | | | | | | | | | | | | | | | | | | | | | | | | | | | | |
| | | | | | | | | | | | | | | | | | | | | | | | | | | | | | | | | | |
| | | | | | | | | | | | | | | | | | | | | | | | | | | | | | | | | | |
| | | | | | | | | | | | | | | | | | | | | | | | | | | | | | | | | | |
| SALEABLE | NOT APPLICABLE | 34566-7103 | 0 | A | BLACK | | | | | | | | | | | | | | | | | | | | | | | | | | | | |
| | | | | | | | | | | | | | | | | | | | | | | | | | | | | | | | | | |
| | | | | | | | | | | | | | | | | | | | | | | | | | | | | | | | | | |
| | | | | | | | | | | | | | | | | | | | | | | | | | | | | | | | | | |
| SALEABLE | NOT APPLICABLE | 34566-7203 | 0 | B | ST GRN | | | | | | | | | | | | | | | | | | | | | | | | | | | | |
| | | | | | | | | | | | | | | | | | | | | | | | | | | | | | | | | | |
| | | | | | | | | | | | | | | | | | | | | | | | | | | | | | | | | | |
| | | | | | | | | | | | | | | | | | | | | | | | | | | | | | | | | | |
| SALEABLE | NOT APPLICABLE | 34566-7303 | 0 | B | ST GRN | | | | | | | | | | | | | | | | | | | | | | | | | | | | |
| | | | | | | | | | | | | | | | | | | | | | | | | | | | | | | | | | |
| | | | | | | | | | | | | | | | | | | | | | | | | | | | | | | | | | |
| | | | | | | | | | | | | | | | | | | | | | | | | | | | | | | | | | |
| SALEABLE | NOT APPLICABLE | 34566-7403 | 0 | B | ST GRN | | | | | | | | | | | | | | | | | | | | | | | | | | | | |
| | | | | | | | | | | | | | | | | | | | | | | | | | | | | | | | | | |
| | | | | | | | | | | | | | | | | | | | | | | | | | | | | | | | | | |
| | | | | | | | | | | | | | | | | | | | | | | | | | | | | | | | | | |
| SALEABLE | NOT APPLICABLE | 34566-7503 | 0 | A | BLACK | | | | | | | | | | | | | | | | | | | | | | | | | | | | |
| | | | | | | | | | | | | | | | | | | | | | | | | | | | | | | | | | |
| | | | | | | | | | | | | | | | | | | | | | | | | | | | | | | | | | |
| | | | | | | | | | | | | | | | | | | | | | | | | | | | | | | | | | |
| SALEABLE | NOT APPLICABLE | 34566-7603 | 0 | B | ST GRN | | | | | | | | | | | | | | | | | | | | | | | | | | | | |
| | | | | | | | | | | | | | | | | | | | | | | | | | | | | | | | | | |
| | | | | | | | | | | | | | | | | | | | | | | | | | | | | | | | | | |
| | | | | | | | | | | | | | | | | | | | | | | | | | | | | | | | | | |
| SALEABLE | NOT APPLICABLE | 34566-7703 | 0 | A | BLACK | | | | | | | | | | | | | | | | | | | | | | | | | | | | |
| | | | | | | | | | | | | | | | | | | | | | | | | | | | | | | | | | |
| | | | | | | | | | | | | | | | | | | | | | | | | | | | | | | | | | |
| | | | | | | | | | | | | | | | | | | | | | | | | | | | | | | | | | |
| SALEABLE | NOT APPLICABLE | 34566-7803 | 0 | A | BLACK | | | | | | | | | | | | | | | | | | | | | | | | | | | | |
| | | | | | | | | | | | | | | | | | | | | | | | | | | | | | | | | | |
| | | | | | | | | | | | | | | | | | | | | | | | | | | | | | | | | | |
| | | | | | | | | | | | | | | | | | | | | | | | | | | | | | | | | | |
| SALEABLE | NOT APPLICABLE | 34566-7903 | 0 | B | ST GRN | | | | | | | | | | | | | | | | | | | | | | | | | | | | |
| | | | | | | | | | | | | | | | | | | | | | | | | | | | | | | | | | |
| | | | | | | | | | | | | | | | | | | | | | | | | | | | | | | | | | |
| | | | | | | | | | | | | | | | | | | | | | | | | | | | | | | | | | |
| SALEABLE | NOT APPLICABLE | 34566-8003 | 0 | A | BLACK | | | | | | | | | | | | | | | | | | | | | | | | | | | | |
| | | | | | | | | | | | | | | | | | | | | | | | | | | | | | | | | | |
| | | | | | | | | | | | | | | | | | | | | | | | | | | | | | | | | | |
| | | | | | | | | | | | | | | | | | | | | | | | | | | | | | | | | | |

| STATUS | GM PART # | HRNS CONN ASSY | | | TPA | GROMMET CAP | | | | | | | | | | | | | | | | | | | | | |
|----------|----------------|----------------|-------------------|------------------|--------------------|---|----|----|----|----|----|----|----|----|----|----|----|----|----|----|----|----|----|----|----|----|--|
| | | MATERIAL/PART | WIRE DRESS OPTION | KEY OPTION Fp | COLOR OPTION Fp | NUMBERS INDICATE CAVITIES OPEN FOR CIRCUITS | | | | | | | | | | | | | | | | | | | | | |
| | | NUMBER | | | | Fp | | | | | | | | | | | | | | | | | | | | | |
| SALEABLE | NOT APPLICABLE | 34566-8103 | 0 | H | ST GRY | 60 | 59 | 78 | 57 | 56 | | | 53 | 52 | 71 | 70 | 69 | 68 | | 66 | 65 | 64 | 63 | | 61 | | |
| | | | | | | 40 | | | 37 | | 35 | 34 | 33 | 32 | | 30 | 29 | | 27 | 26 | | 24 | | 22 | 21 | | |
| | | | | | | 20 | 19 | 18 | 17 | 16 | | | 13 | 12 | | | | 8 | | 6 | 5 | | 3 | 2 | | | |
| SALEABLE | NOT APPLICABLE | 34566-8203 | 0 | A | BLACK | | | 70 | | 67 | 66 | | | | | | | 58 | | 56 | 55 | 54 | | | | | |
| | | | | | | | | | | 47 | | 44 | 43 | 42 | 41 | | 39 | | 37 | 36 | | 34 | | | | | |
| | | | | | | 73 | | | 31 | 30 | | 27 | | 25 | 24 | | 21 | 20 | 19 | 18 | | | | | | | |
| SALEABLE | NOT APPLICABLE | 34566-8303 | 0 | A | BLACK | 72 | 71 | | 69 | 68 | 67 | 66 | | 64 | 63 | 62 | | 59 | 58 | 57 | 56 | | 54 | 53 | | | |
| | | | | | | 52 | 51 | 50 | 49 | 48 | 47 | 46 | | 44 | 43 | 42 | | 39 | 38 | 37 | 36 | 35 | 34 | 33 | | | |
| | | | | | | 73 | | | 32 | 31 | 30 | 29 | | 27 | | 24 | 23 | 22 | 21 | 20 | 19 | | 17 | | | | |
| SALEABLE | NOT APPLICABLE | 34566-8403 | 0 | B | ST GRY | | | | | | | 65 | 64 | | | | | 59 | | 57 | | 55 | 53 | | | | |
| | | | | | | | | 50 | 49 | 48 | | 46 | | | | | | 39 | | 37 | | 35 | | 33 | | | |
| | | | | | | 73 | | | 32 | | 29 | | | | 24 | 23 | | 21 | | | | | | | | | |
| SALEABLE | NOT APPLICABLE | 34566-8503 | 0 | B | ST GRY | 72 | 71 | 70 | 69 | 68 | 67 | 66 | 65 | 64 | 63 | 62 | | 60 | 59 | | | | 55 | 54 | 53 | | |
| | | | | | | 52 | | | 49 | 48 | | | | 44 | 43 | 42 | | | 39 | | | | 35 | 34 | 33 | | |
| | | | | | | 73 | | | 32 | | | 29 | | 27 | | 24 | 23 | | 19 | 18 | 17 | | | | | | |
| SALEABLE | NOT APPLICABLE | 34566-8603 | 0 | A | BLACK | | | | 69 | 68 | | 66 | | | | | | 59 | | 57 | | 55 | 53 | | | | |
| | | | | | | | | 49 | 48 | | 46 | | 44 | | | | | 39 | 38 | 37 | | 35 | | 33 | | | |
| | | | | | | 73 | | | | | 29 | 28 | | | | 23 | | 21 | | | | | | 18 | 17 | | |
| SALEABLE | NOT APPLICABLE | 34566-8703 | 0 | B | ST GRY | | | | 69 | 68 | | 66 | | 64 | | | | 59 | | 57 | | 55 | 53 | | | | |
| | | | | | | | | 50 | 49 | 48 | 47 | | 44 | | | | 39 | | 37 | | 35 | | 33 | | | | |
| | | | | | | 73 | | | | | 29 | 28 | | | | 23 | | 21 | | | | | | | 17 | | |
| SALEABLE | NOT APPLICABLE | 34566-8803 | 0 | B | ST GRY | | | | | 68 | 67 | 66 | 65 | | | | | 59 | 58 | 57 | | | 54 | 53 | | | |
| | | | | | | | 51 | 50 | 49 | 48 | | 46 | 45 | | 43 | 42 | | 40 | 39 | 38 | 37 | | | 33 | | | |
| | | | | | | 73 | | | 32 | 31 | 30 | | | 26 | | 24 | 23 | 22 | | 20 | | | | | | | |
| SALEABLE | NOT APPLICABLE | 34566-8903 | 0 | H | ST GRY | | | 78 | | | | | | | 71 | 70 | 69 | 68 | 67 | 66 | 65 | 64 | 63 | | 61 | | |
| | | | | | | | | 58 | 57 | 56 | | | 53 | 52 | 51 | 50 | | | | | | 44 | 43 | | 22 | 21 | |
| | | | | | | 40 | | | 37 | | 35 | 34 | 33 | 32 | | 30 | 29 | | 27 | 26 | | | | | | | |
| SALEABLE | NOT APPLICABLE | 34566-9003 | 0 | B | ST GRY | | | | 69 | 68 | | 66 | | | | | | 59 | | 57 | | 55 | 53 | | | | |
| | | | | | | | | 49 | 48 | | 46 | | 44 | | | | | 39 | | 37 | | 35 | | 33 | | | |
| | | | | | | 73 | | | | | 29 | 28 | | | | 23 | | 21 | | | | | | | 18 | | |
| SALEABLE | NOT APPLICABLE | 34566-9103 | 0 | A | BLACK | | | | | 68 | | 65 | | 63 | | 61 | | 59 | 58 | | 56 | | | 53 | | | |
| | | | | | | 52 | 51 | 50 | | | 47 | | | | | 41 | | | 38 | 37 | 36 | 35 | 34 | 33 | | | |
| | | | | | | 73 | | | 32 | 31 | 30 | 29 | 28 | 27 | | 25 | 24 | 23 | 22 | 21 | 20 | 19 | 18 | 17 | | | |
| SALEABLE | NOT APPLICABLE | 34566-9203 | 0 | A | BLACK | 72 | 71 | 70 | 69 | 68 | 67 | 66 | | 64 | 63 | 62 | | 60 | 59 | | | | 55 | 54 | 53 | | |
| | | | | | | 52 | | | 49 | 48 | | | | 44 | 43 | 42 | | 40 | 39 | 38 | | | 35 | 34 | 33 | | |
| | | | | | | 73 | | | | | 30 | 29 | 28 | 27 | | 24 | 23 | | 19 | 18 | 17 | | | | | | |
| SALEABLE | NOT APPLICABLE | 34566-9303 | 0 | A | BLACK | | | | | | | | | | | | | | | | | | | | | | |
| | | | | | | | | | 69 | 68 | 67 | 66 | | 64 | 63 | 62 | | 60 | 59 | | | | | | | | |
| | | | | | | 73 | | | | | 30 | 29 | 28 | 27 | | 24 | 23 | 22 | 21 | 20 | 19 | | 17 | | | | |
| SALEABLE | NOT APPLICABLE | 34566-9403 | 0 | B | ST GRY | | | | | 68 | 67 | 66 | 65 | | | | | 59 | 58 | 57 | | | 54 | 53 | | | |
| | | | | | | | 51 | 50 | 49 | 48 | | 46 | 45 | | 43 | 42 | 41 | 40 | 39 | 38 | 37 | | 35 | | | | |
| | | | | | | 73 | | | 32 | 31 | 30 | | | 26 | | 24 | 23 | 22 | | 20 | | | | | | | |
| SALEABLE | NOT APPLICABLE | 34566-9503 | 0 | A | BLACK | 72 | 71 | 70 | 69 | 68 | | | 65 | 64 | 63 | | 61 | | 59 | 58 | 57 | 56 | | | | | |
| | | | | | | 52 | 51 | | 49 | | 47 | | | | | | 41 | | | 38 | 37 | 36 | | 34 | 33 | | |
| | | | | | | 73 | | | 32 | 31 | 30 | 29 | 28 | 27 | | 24 | 23 | | 20 | 19 | 18 | 17 | | | | | |

MX123 52/66/73/80-WAY RECEPTACLE ASSY SEALED PIN OUT SHEET

| STATUS | GM PART # | HRNS CONN ASSY | | | TPA | GROMMET CAP | | | | | | | | | | | | | | | | | | | | | | |
|----------|----------------|----------------|-------------------|------------------|--------------------|---|----|----|----|----|----|----|----|----|----|----|----|----|----|----|----|----|----|----|----|----|----|----|
| | | MATERIAL/PART | WIRE DRESS OPTION | KEY OPTION Fp | COLOR OPTION Fp | NUMBERS INDICATE CAVITIES OPEN FOR CIRCUITS | | | | | | | | | | | | | | | | | | | | | | |
| | | NUMBER | | | | Fp | | | | | | | | | | | | | | | | | | | | | | |
| SALEABLE | NOT APPLICABLE | 34566-9603 | 0 | A | BLACK | 52 | 71 | 70 | 69 | 68 | | 66 | 65 | 64 | 63 | | 61 | | 59 | 58 | 57 | 56 | | | | | | |
| | | | | | | | | 50 | 49 | | 47 | | | | | | | 41 | | | 24 | 23 | | | 20 | 19 | 18 | 17 |
| | | | | | | 73 | | | 32 | 31 | 30 | 29 | 28 | 27 | | | | | | | | | | | | | | |
| SALEABLE | NOT APPLICABLE | 34566-9703 | 0 | A | BLACK | 72 | 71 | 70 | 69 | 68 | | | 65 | 64 | 63 | | 61 | | 59 | | 57 | 56 | | | | | | |
| | | | | | | 52 | 51 | 50 | 49 | | 47 | | | | | | | 41 | | | 38 | 37 | 36 | | | 34 | 33 | |
| | | | | | | 73 | | | 32 | 31 | 30 | 29 | 28 | 27 | | | | | | | 24 | 23 | | | 20 | 19 | 18 | |
| SALEABLE | NOT APPLICABLE | 34566-9803 | 0 | A | BLACK | 72 | 71 | 70 | 69 | 68 | | | 65 | 64 | 63 | | 61 | | 59 | | 57 | 56 | | | | | | |
| | | | | | | 52 | 51 | 50 | 49 | | 47 | | | | | | | 41 | | | 38 | 37 | 36 | | | 34 | 33 | |
| | | | | | | 73 | | | 32 | 31 | 30 | 29 | 28 | 27 | | | | | | | | | | | 20 | 19 | 18 | |
| SALEABLE | NOT APPLICABLE | 34566-9903 | 0 | A | BLACK | | 71 | | 69 | 68 | | | 65 | 64 | 63 | | 61 | | 59 | 58 | 57 | 56 | | | | | | |
| | | | | | | 52 | | 50 | 49 | | 47 | | | | | | | 41 | | | 38 | 37 | 36 | | | 34 | 33 | |
| | | | | | | 73 | | | 32 | 31 | 30 | 29 | 28 | 27 | | | | | | | 24 | 23 | | | 20 | 19 | 18 | 17 |
| SALEABLE | NOT APPLICABLE | 34566-1013 | 0 | A | BLACK | | 71 | | 69 | 68 | | | 65 | 64 | 63 | | 61 | | 59 | 58 | 57 | 56 | | | | | | |
| | | | | | | 52 | | 50 | 49 | | 47 | | | | | | | 41 | | | 38 | 37 | 36 | | | 34 | 33 | |
| | | | | | | 73 | | | 32 | 31 | 30 | 29 | 28 | 27 | | | | | | | | | | | 20 | 19 | 18 | 17 |
| SALEABLE | NOT APPLICABLE | 34566-1023 | 0 | A | BLACK | | | 70 | | 68 | | | 66 | 65 | | | | | 58 | 57 | | 55 | 54 | | | | | |
| | | | | | | | | 50 | 49 | | 47 | | | 44 | 43 | 42 | 41 | | 39 | | | 37 | | 35 | | | | |
| | | | | | | 73 | | | 32 | | 30 | | | 27 | | 25 | 24 | | | | | 21 | 20 | 19 | 18 | 17 | | |
| SALEABLE | NOT APPLICABLE | 34566-1033 | 0 | A | BLACK | 72 | | 70 | | 68 | | | 66 | 65 | | | | | 58 | 57 | | 55 | 54 | | | | | |
| | | | | | | | | 50 | 49 | | 47 | | | 44 | 43 | 42 | 41 | | 39 | | | 37 | | 35 | | | | |
| | | | | | | 73 | | | 32 | | 30 | | | 27 | | 26 | 25 | 24 | | | | 21 | 20 | 19 | 18 | 17 | | |
| SALEABLE | NOT APPLICABLE | 34566-1043 | 0 | B | ST GRAY | | 71 | 70 | | 68 | | | 66 | 65 | | | | | 59 | 58 | 57 | | | 54 | 53 | | | |
| | | | | | | | 51 | 50 | 49 | 48 | | 46 | 45 | | 43 | | 41 | 40 | 39 | 38 | 37 | 36 | 35 | | | | | |
| | | | | | | 73 | | | 32 | 31 | 30 | | | | | | | 24 | 23 | 22 | | 20 | | | | | | |
| SALEABLE | NOT APPLICABLE | 34566-1053 | 0 | H | ST GRAY | | 79 | 78 | 77 | 76 | 75 | 74 | 73 | 72 | 71 | 70 | 69 | 68 | | 66 | 65 | 64 | 63 | | | 61 | | |
| | | | | | | 60 | 59 | 58 | 57 | 56 | | | 53 | 52 | | 50 | | | | | | | 44 | 43 | | | 41 | |
| | | | | | | 40 | 39 | 38 | 37 | | 35 | 34 | 33 | 32 | | 30 | 29 | | 27 | 26 | | | | | | | 22 | 21 |
| SALEABLE | NOT APPLICABLE | 34566-1063 | 0 | B | ST GRAY | | | | | | | | 65 | | | | 60 | 59 | | 57 | 56 | 55 | | 53 | | | | |
| | | | | | | | | 49 | 48 | 47 | | | 44 | | | | 40 | 39 | | 37 | 36 | 35 | | | | | 33 | |
| | | | | | | 73 | | | | | | 29 | 28 | | | | | 24 | 23 | | 21 | | | | | | | 2 |
| SALEABLE | NOT APPLICABLE | 34566-1073 | 0 | A | BLACK | 72 | 71 | 70 | 69 | 68 | 67 | 66 | 65 | 64 | 63 | | 61 | | 59 | 58 | 57 | 56 | | | 54 | | | |
| | | | | | | | | 50 | 49 | 48 | 47 | | | | | | 42 | 41 | | | 38 | 37 | 36 | | | 34 | 33 | |
| | | | | | | 73 | | | 32 | 31 | 30 | 29 | 28 | 27 | 26 | | | 24 | 23 | | | | | 20 | 19 | 18 | | |
| SALEABLE | NOT APPLICABLE | 34566-1083 | 0 | B | ST GRAY | | | | | 68 | 67 | 66 | 65 | 64 | | | | 59 | 58 | 57 | | 55 | 54 | | 53 | | | |
| | | | | | | | 51 | 50 | 49 | 48 | | 46 | 45 | | 43 | 42 | 41 | 40 | 39 | 38 | 37 | | 35 | | | | 33 | |
| | | | | | | 73 | | | 32 | 31 | 30 | | | | 26 | | 24 | 23 | 22 | | 20 | | | | | | | |
| SALEABLE | NOT APPLICABLE | 34566-1093 | 0 | A | BLACK | | | 70 | | 68 | 67 | 66 | | | | | | 58 | | 56 | 55 | | 54 | | | | | |
| | | | | | | | | 49 | | 47 | | | 44 | 43 | 42 | 41 | | 39 | | 37 | 36 | | 34 | | | | | |
| | | | | | | 73 | | | | 31 | 30 | | | 27 | | 25 | 24 | | | | 21 | 20 | 19 | 18 | | | | |
| SALEABLE | NOT APPLICABLE | 34566-1123 | 0 | H | ST GRAY | | | 78 | | | | | 72 | 71 | 70 | 69 | 68 | 67 | 66 | 65 | 64 | 63 | | | 61 | | | |
| | | | | | | | | 58 | 57 | 56 | | | 53 | 52 | 51 | 50 | | | | | | | 44 | 43 | | | 41 | |
| | | | | | | 40 | | | 37 | | 35 | 34 | 33 | 32 | | 30 | 29 | | 27 | 26 | | | | | | | 22 | 21 |
| SALEABLE | NOT APPLICABLE | 34566-1133 | 0 | A | BLACK | | | 70 | | 68 | 67 | 66 | | | | 61 | | 58 | 57 | | 55 | 54 | | | | | | |
| | | | | | | | | 49 | | 47 | | 45 | 44 | 43 | 42 | 41 | | 39 | | 37 | | 34 | | | | | | |
| | | | | | | 73 | | | 32 | | 30 | | | 27 | | 25 | 24 | | | | 21 | 20 | 19 | 18 | | | | 1 |

MX123 52/66/73/80-WAY RECEPTACLE ASSY SEALED PIN OUT SHEET

| STATUS | GM PART # | HRNS CONN ASSY | | | TPA | GROMMET CAP | | | | | | | | | | | | | | | | | | | | | | |
|----------|----------------|----------------|-------------------|------------------|--------------------|--|----|----|----|----|----|----|----|----|----|----|----|----|----|----|----|----|----|----|----|----|----|----|
| | | MATERIAL/PART | WIRE DRESS OPTION | KEY OPTION Fp | COLOR OPTION Fp | NUMBERS INDICATE CAVITIES OPEN FOR CIRCUITS | | | | | | | | | | | | | | | | | | | | | | |
| | | NUMBER | | | | Fp | | | | | | | | | | | | | | | | | | | | | | |
| SALEABLE | NOT APPLICABLE | 34566-1143 | 0 | A | BLACK | 52 | | 50 | | 68 | | | 65 | | 63 | | 61 | | 59 | 58 | | 56 | | | 53 | | | |
| | | | | | | | | | | 32 | 31 | 30 | 29 | 28 | 27 | | 25 | 24 | 23 | 22 | 21 | 20 | 19 | 18 | 17 | | | |
| | | | | | | 73 | | | | 16 | 15 | 14 | 13 | 12 | 11 | 10 | 9 | | | | | | | | | | | 1 |
| SALEABLE | NOT APPLICABLE | 34566-1153 | 0 | A | BLACK | | | 70 | | | | 67 | 66 | 65 | | | | | 58 | 57 | | 55 | | | | | | |
| | | | | | | | | 49 | | | | 47 | | | 44 | 43 | 42 | 41 | | 39 | | 37 | | | | | | |
| | | | | | | 73 | | | | 32 | | 30 | | | 27 | | 25 | 24 | 23 | | 21 | 20 | 19 | 18 | | | | |
| SALEABLE | NOT APPLICABLE | 34566-1163 | 0 | H | ST GRAY | | | 78 | | | | | | 72 | 71 | 70 | 69 | 68 | | 66 | 65 | 64 | 63 | | 61 | | | |
| | | | | | | 60 | 59 | 58 | 57 | 56 | | | 53 | 52 | | 50 | | | | | | | | 44 | 43 | | 41 | |
| | | | | | | 40 | | | 37 | | 35 | 34 | | | 32 | | 30 | 29 | | 27 | 26 | | | | | | 22 | 21 |
| SALEABLE | NOT APPLICABLE | 34566-1173 | 0 | A | BLACK | 20 | 19 | 18 | 17 | 16 | | | 13 | 12 | | | | 8 | | 6 | 5 | | 3 | 2 | | | | |
| | | | | | | 72 | 71 | | 69 | 68 | | | 65 | 64 | 63 | 62 | 61 | 60 | 59 | 58 | | 56 | | 54 | | | | |
| | | | | | | 52 | | 50 | 49 | 48 | 47 | | 45 | | | 42 | 41 | | | 38 | 37 | 36 | | 34 | 33 | | | |
| SALEABLE | NOT APPLICABLE | 34566-1183 | 0 | B | ST GRAY | 73 | | | | 32 | 31 | 30 | 29 | 28 | 27 | 26 | | 24 | 23 | | 20 | 19 | 18 | 17 | | | | |
| | | | | | | | | | | 16 | | | 13 | 12 | 11 | 10 | 9 | | | | | | | | | | | |
| | | | | | | | | | | 66 | 65 | 64 | | 62 | | | 59 | | 57 | | 55 | | 53 | | | | | |
| SALEABLE | NOT APPLICABLE | 34566-1193 | 0 | A | BLACK | | | | 49 | 48 | 47 | | 44 | | 42 | | | 39 | | 37 | | 35 | | | 33 | | | |
| | | | | | | 73 | | | | | | | 29 | 28 | | | | 23 | | 21 | | | | | | | 17 | |
| | | | | | | 72 | 71 | | 69 | 68 | 67 | 66 | | 64 | 63 | 62 | | 60 | 59 | | | | | | | | 54 | 53 |
| SALEABLE | NOT APPLICABLE | 34566-1213 | 0 | A | BLACK | 52 | | | 49 | 48 | | 46 | | 44 | 43 | 42 | | | 39 | | | | | 34 | 33 | | | |
| | | | | | | 73 | | | | 32 | | | 29 | | 27 | | | 23 | | | | | | | | | 17 | |
| | | | | | | | | | | | | 14 | 13 | 12 | 11 | | 9 | 8 | 7 | 6 | 5 | 4 | 3 | 2 | 1 | | | |
| SALEABLE | NOT APPLICABLE | 34566-1223 | 0 | B | ST GRAY | 72 | 71 | | 69 | 68 | 67 | 66 | | 64 | 63 | 62 | | | 59 | | | | | | 54 | 53 | | |
| | | | | | | 52 | | | 49 | 48 | | 46 | | 44 | 43 | 42 | | | 39 | | | | | | | | 34 | 33 |
| | | | | | | 73 | | | | 32 | | | 29 | | 27 | | | 23 | | | | | | | | | | 17 |
| SALEABLE | NOT APPLICABLE | 34566-1233 | 0 | B | ST GRAY | | | | | | | | | | | | | | | | | | | | | | | |
| | | | | | | | | | | 48 | | 46 | | | 43 | 42 | | 39 | | 37 | | 35 | | | | | | |
| | | | | | | 73 | | | | | | | 29 | | 27 | 26 | | 23 | | 21 | | | | | | | | 17 |
| SALEABLE | NOT APPLICABLE | 34566-1243 | 0 | B | ST GRAY | | | | | | | | | | | | | | | | | | | | | | | |
| | | | | | | | | 50 | | 48 | | 46 | | | | | 39 | | 37 | | 35 | | | | | | | |
| | | | | | | 73 | | | | | | | 29 | | | | 23 | | 21 | | | | | | | | | 17 |
| SALEABLE | NOT APPLICABLE | 34566-1253 | 9 | B | ST GRAY | | | | | | | | | | | | | | | | | | | | | | | |
| | | | | | | | | | 49 | 48 | | 46 | | | | | 60 | 59 | | 57 | | 55 | | | | | 53 | |
| | | | | | | 73 | | | | | | | | | | | | 40 | 39 | | 37 | | 35 | | | | | 33 |
| SALEABLE | NOT APPLICABLE | 34566-1263 | 9 | A | BLACK | NUMBERS IN BOLD MUST USE SAE WIRE MEETING SAE J1128, WIRE SIZE (NO.20) OR (NO.18 MAX. O.D. OF 2.06 MM) PER G.M. DRAWING NUMBER 12582682. | | | | | | | | | | | | | | | | | | | | | | |
| | | | | | | 72 | 71 | | 69 | 68 | 67 | 66 | | 64 | 63 | 62 | | | 59 | | | | 56 | | | | 53 | |
| | | | | | | | | 50 | | 48 | | 46 | | 44 | 43 | 42 | | | 39 | | | | 36 | 35 | | | | 33 |
| SALEABLE | NOT APPLICABLE | 34566-1273 | 0 | A | BLACK | 73 | | | | 32 | | 30 | 29 | | 27 | | 24 | 23 | | 20 | | | | 17 | | | | |
| | | | | | | | | | | | | 14 | 13 | 12 | 11 | | 9 | 8 | | 5 | 4 | 3 | 2 | 1 | | | | |
| | | | | | | | | 70 | 69 | 68 | | | 65 | 64 | 63 | | 61 | | 59 | 58 | 57 | 56 | | | | | | |
| SALEABLE | NOT APPLICABLE | 34566-1283 | 0 | A | BLACK | 52 | | 50 | 49 | 48 | 47 | | | | | 41 | | | 38 | 37 | 36 | | 34 | 33 | | | | |
| | | | | | | 73 | | | | 32 | 31 | 30 | 29 | 28 | 27 | | 24 | 23 | | 20 | 19 | 18 | | | | | | |
| | | | | | | | | | | 16 | | | 13 | 12 | 11 | 10 | 9 | | | | | | | | | | | 1 |

MX123 52/66/73/80-WAY RECEPTACLE ASSY SEALED PIN OUT SHEET

| STATUS | GM PART # | HRNS CONN ASSY | | | TPA | GROMMET CAP | | | | | | | | | | | | | | | | | | | | | |
|----------|----------------|----------------|-------------------|------------------|--------------------|---|----|----|----|----|----|----|----|----|----|----|----|----|----|----|----|----|----|----|----|----|----|
| | | MATERIAL/PART | WIRE DRESS OPTION | KEY OPTION Fp | COLOR OPTION Fp | NUMBERS INDICATE CAVITIES OPEN FOR CIRCUITS | | | | | | | | | | | | | | | | | | | | | |
| | | NUMBER | | | | Fp | | | | | | | | | | | | | | | | | | | | | |
| SALEABLE | NOT APPLICABLE | 34566-1293 | 0 | A | BLACK | 52 | | 50 | | 68 | | | 65 | | 63 | | 61 | | 59 | 58 | | 56 | | | 34 | 33 | |
| | | | | | | 73 | | | | 32 | 31 | 30 | 29 | 28 | 27 | | | 24 | 23 | | | | | 20 | 19 | 18 | 17 |
| | | | | | | 73 | | | | 16 | | | | 13 | 12 | 11 | 10 | 9 | | | | | | | | | |
| SALEABLE | NOT APPLICABLE | 34566-1313 | 0 | H | ST GRAY | 80 | | 78 | | | | | | 72 | 71 | 70 | 69 | 68 | | 66 | 65 | 64 | 63 | | 61 | | |
| | | | | | | | | 58 | 57 | 56 | 55 | 54 | 53 | | | | | | | | | 46 | | 44 | 43 | 42 | |
| | | | | | | 40 | | | 37 | | 35 | | | | 32 | | 30 | 29 | | 27 | 26 | | | | | | |
| SALEABLE | NOT APPLICABLE | 34566-1323 | 0 | A | BLACK | 72 | 71 | 70 | 69 | 68 | 67 | 66 | 65 | 64 | 63 | 62 | | 60 | 59 | 58 | 57 | 56 | 55 | 54 | 53 | | |
| | | | | | | 52 | 51 | 50 | 49 | 48 | 47 | 46 | 45 | 44 | 43 | 42 | 41 | 40 | 39 | 38 | 37 | 36 | 35 | 34 | 33 | | |
| | | | | | | 73 | | | | 32 | 31 | 30 | 29 | 28 | 27 | | | 25 | 24 | 23 | 22 | 21 | 20 | 19 | 18 | 17 | |
| SALEABLE | NOT APPLICABLE | 34566-1333 | 0 | A | BLACK | | | 70 | 69 | 68 | | | 65 | 64 | | | | 59 | 58 | | 56 | | | | | | |
| | | | | | | 52 | | 50 | 49 | | 47 | | | | | 41 | | | | 38 | 37 | 36 | | | 34 | | |
| | | | | | | 73 | | | | 32 | 31 | 30 | 29 | 28 | 27 | | | | | 23 | | | | 20 | 19 | 18 | 17 |
| SALEABLE | NOT APPLICABLE | 34566-1343 | 0 | A | BLACK | | | | 69 | | | | 65 | 64 | 63 | | | | 59 | 58 | 57 | 56 | | | | | |
| | | | | | | | | 50 | 49 | 48 | 47 | | | | | | | 41 | | | 38 | 37 | 36 | | | 34 | |
| | | | | | | 73 | | | | 32 | 31 | 30 | 29 | 28 | 27 | | | | | 23 | | | | 20 | 19 | 18 | 17 |
| SALEABLE | NOT APPLICABLE | 34566-1353 | 0 | H | ST GRAY | | 79 | 78 | 77 | 76 | 75 | 74 | 73 | 72 | 71 | 70 | 69 | 68 | | 66 | 65 | 64 | 63 | | 61 | | |
| | | | | | | 60 | 59 | 58 | 57 | 56 | | | 53 | | | | 50 | | | | | | | 44 | 43 | | 41 |
| | | | | | | 40 | 39 | 38 | 37 | | 35 | 34 | | | 32 | | 30 | 29 | | 27 | 26 | | | | | | 22 |
| SALEABLE | NOT APPLICABLE | 34566-1363 | 0 | A | BLACK | 72 | 71 | | 69 | 68 | 67 | 66 | | 64 | 63 | 62 | | | 59 | | | | | | | 53 | |
| | | | | | | | | | | 48 | | 46 | | 44 | 43 | 42 | | | 39 | | | | | | | | 33 |
| | | | | | | 73 | | | | 32 | | | 29 | | 27 | | | 24 | 23 | | | | | | | | |
| SALEABLE | NOT APPLICABLE | 34566-1373 | 0 | B | ST GRAY | | | | | | | 66 | 65 | | | 62 | | 59 | | 57 | | 55 | | 53 | | | |
| | | | | | | | | | | 48 | | 46 | | | | 42 | | | 39 | | 37 | | 35 | | | 33 | |
| | | | | | | 73 | | | | | | | 29 | | | 26 | | | 23 | | 21 | | | | | | 17 |
| SALEABLE | NOT APPLICABLE | 34566-1383 | 0 | B | ST GRAY | | | | 49 | 48 | 47 | 46 | | | | | | 59 | 58 | 57 | | 55 | | 53 | | | |
| | | | | | | | | | | | | | | | | | | | 39 | 38 | 37 | | 35 | | | 33 | |
| | | | | | | 73 | | | | | | | 29 | | | | | | 23 | 22 | 21 | | | | | | 17 |
| SALEABLE | NOT APPLICABLE | 34566-1393 | 0 | A | BLACK | | | 70 | | | 67 | 66 | | | | 61 | | | 58 | 57 | | 55 | 54 | | | | |
| | | | | | | | | | | 47 | | 45 | 44 | 43 | 42 | 41 | | 39 | | 37 | | | | | 34 | | |
| | | | | | | 73 | | | | 32 | | 30 | | | 27 | | 25 | 24 | | | 21 | 20 | 19 | 18 | | | 1 |
| SALEABLE | NOT APPLICABLE | 34566-1423 | 0 | B | ST GRAY | | | | | 68 | 67 | 66 | 65 | | | 61 | 60 | 59 | 58 | 57 | | | 54 | 53 | | | |
| | | | | | | | 51 | 50 | 49 | 48 | 47 | 46 | 45 | | 43 | 42 | 41 | 40 | 39 | 38 | 37 | | 35 | 34 | 33 | | |
| | | | | | | 73 | | | | 32 | 31 | 30 | | | | 26 | | 24 | 23 | 22 | 21 | 20 | | | | | |
| SALEABLE | NOT APPLICABLE | 34566-1433 | 0 | B | ST GRAY | | | | | | | 66 | | 64 | | | | 59 | | 57 | | 55 | | 53 | | | |
| | | | | | | | | | 49 | 48 | | 46 | | | | | | 39 | | 37 | | 35 | | | | 33 | |
| | | | | | | 73 | | | | 32 | | | 29 | | | | | 23 | | 21 | | | | | 18 | 17 | |
| SALEABLE | NOT APPLICABLE | 34566-1443 | 0 | B | ST GRAY | | | | 69 | 68 | | 66 | | | | | | 59 | | 57 | | 55 | | 53 | | | |
| | | | | | | | | | 49 | 48 | | 46 | | | | | | 39 | | 37 | | 35 | | | | 33 | |
| | | | | | | 73 | | | | | | | 29 | | | | | 23 | | 21 | | | | | | | 17 |
| SALEABLE | NOT APPLICABLE | 34566-1453 | 0 | B | ST GRAY | | | | 49 | 48 | 47 | | | 66 | 65 | 64 | | 62 | | 59 | | 57 | | 55 | 53 | | |
| | | | | | | | | | | | | | 44 | | 42 | | | 39 | | 37 | | 35 | | | | 33 | |
| | | | | | | 73 | | | | | | | 29 | 28 | | 26 | | | 23 | | 21 | | | | | | 17 |
| SALEABLE | NOT APPLICABLE | 34566-1463 | 0 | A | BLACK | | | | 69 | 68 | | | 65 | 64 | 63 | 62 | 61 | 60 | 59 | 58 | | 56 | | | 34 | 33 | |
| | | | | | | 52 | | 50 | 49 | 48 | 47 | | 45 | | | | 41 | | | 38 | 37 | 36 | | | | | |
| | | | | | | 73 | | | | 32 | 31 | 30 | 29 | 28 | 27 | | | 24 | 23 | | | | | 20 | 19 | 18 | 17 |

MX123 52/66/73/80-WAY RECEPTACLE ASSY SEALED PIN OUT SHEET

| STATUS | GM PART # | HRNS CONN ASSY | | | TPA | GROMMET CAP | | | | | | | | | | | | | | | | | | | | | |
|----------------------|----------------|----------------|-------------------|------------------|--------------------|---|----|----|----|----|----|----|----|----|----|----|----|----|----|----|----|----|----|----|----|----|----|
| | | MATERIAL/PART | WIRE DRESS OPTION | KEY OPTION Fp | COLOR OPTION Fp | NUMBERS INDICATE CAVITIES OPEN FOR CIRCUITS | | | | | | | | | | | | | | | | | | | | | |
| | | NUMBER | | | | Fp | | | | | | | | | | | | | | | | | | | | | |
| SALEABLE | NOT APPLICABLE | 34566-1473 | 0 | A | BLACK | 72 | 71 | | 69 | 68 | 67 | 66 | | 64 | 63 | 62 | | | 59 | | | | | 54 | 53 | | |
| | | | | | | 52 | | | 49 | 48 | | 46 | | 44 | 43 | 42 | | | 39 | | | | | | | 34 | 33 |
| | | | | | | 73 | | | | | | 32 | | | 29 | | 27 | | | 24 | 23 | | | | | | |
| SALEABLE | NOT APPLICABLE | 34566-1483 | 0 | A | BLACK | 72 | 71 | | 69 | 68 | | | | 65 | 64 | 63 | | 61 | | 59 | 58 | | 56 | | | | |
| | | | | | | 52 | | 50 | 49 | | 47 | | | | | | 41 | | | 38 | 37 | 36 | | | 34 | 33 | |
| | | | | | | 73 | | | | 32 | 31 | 30 | 29 | 28 | 27 | | | 24 | 23 | | | 20 | 19 | 18 | 17 | | |
| SALEABLE | NOT APPLICABLE | 34566-1493 | 0 | B | ST GRAY | | | | | 68 | | | | | | | | 59 | 58 | 57 | | 55 | | 53 | | | |
| | | | | | | | | | 49 | 48 | | 46 | | | | | | | 39 | 38 | 37 | | 35 | | | 33 | |
| | | | | | | 73 | | | | | | | 29 | | | | | 23 | 22 | 21 | | | 18 | 17 | | | |
| SALEABLE | NOT APPLICABLE | 34566-1513 | 0 | B | ST GRAY | | | | | | | | 65 | | | | | 59 | | 57 | | 55 | | 53 | | | |
| | | | | | | | | | 49 | 48 | | 46 | | | | | | 39 | 37 | 36 | | 35 | | | | 33 | |
| | | | | | | 73 | | | | | | | 29 | | | | | 23 | 21 | | | | | 17 | | | |
| SALEABLE | NOT APPLICABLE | 34566-1523 | 0 | A | BLACK | | | 70 | 69 | 68 | | | 65 | 64 | | | | 59 | 58 | | 56 | | 54 | | | | |
| | | | | | | 52 | | 50 | 49 | | 47 | | | | | 42 | 41 | | | 38 | 37 | 36 | | 34 | | | |
| | | | | | | 73 | | | | 32 | 31 | 30 | 29 | 28 | 27 | 26 | | | 23 | | | 20 | 19 | 18 | 17 | | |
| SALEABLE | NOT APPLICABLE | 34566-1533 | 0 | A | BLACK | | 72 | 71 | 70 | 69 | 68 | | | | | | | 59 | 58 | 57 | 56 | | | | | | |
| | | | | | | 52 | 51 | 50 | 49 | | 47 | | | | | | | 41 | | | 38 | 37 | 36 | | 34 | 33 | |
| | | | | | | 73 | | | | 32 | 31 | 30 | 29 | 28 | 27 | | | 24 | 23 | | | 20 | 19 | 18 | 17 | | |
| SALEABLE | NOT APPLICABLE | 34566-1543 | 0 | B | ST GRAY | | | | | 69 | 68 | | 66 | | | | | 59 | | 57 | | 55 | | 53 | | | |
| | | | | | | | | | 49 | 48 | | 46 | | | | | | 39 | | 37 | | 35 | | | | 33 | |
| | | | | | | 73 | | | | | | | 29 | | | | | 23 | 21 | | | | | | | | |
| SALEABLE | 12582677 | 34566-1553 | 0 | A | BLACK | | | | | | | | | | | | | | | | | | | | | | |
| | | | | | | 73 | | | | | | | | | | | | | | | | | | | | | |
| | | | | | | | | | | | | | | | | | | | | | | | | | | | |
| TOOL DESIGN SALEABLE | NOT APPLICABLE | 34566-1563 | 9 | A | BLACK | | | | | | | | | | | | | | | | | | | | | | |
| 73 | | | | | | | | | | | | | | | | | | | | | | | | | | | |
| TOOL DESIGN SALEABLE | NOT APPLICABLE | 34566-1573 | 9 | H | ST GRAY | | | | | | | | | | | | | | | | | | | | | | |
| 73 | | | | | | | | | | | | | | | | | | | | | | | | | | | |
| SALEABLE | NOT APPLICABLE | 34566-1583 | 0 | A | BLACK | | | 70 | | | | 67 | 66 | 65 | | | | 61 | | 58 | 57 | | 55 | 54 | | | |
| | | | | | | | | | 49 | | 47 | | 45 | 44 | 43 | 42 | 41 | | 39 | | 37 | | | 34 | | | |
| | | | | | | 73 | | | | 32 | | 30 | | | 27 | | 25 | 24 | | | 21 | 20 | 19 | 18 | 17 | | |
| SALEABLE | NOT APPLICABLE | 34566-1593 | 0 | B | ST GRAY | | | | | 67 | | 65 | | | | 61 | 60 | 59 | 58 | 57 | | 54 | 53 | | | | |
| | | | | | | | 51 | 50 | 49 | 48 | 47 | 46 | 45 | | 43 | 42 | | 40 | 39 | | 37 | | | 34 | 33 | | |
| | | | | | | 73 | | | | 32 | 31 | 30 | | | | 26 | | 24 | 23 | 22 | 21 | 20 | | | | | |
| SALEABLE | NOT APPLICABLE | 34566-1613 | 0 | H | ST GRAY | | | | | | | | | | | | | | | | | | | | | | |
| | | | | | | | 79 | 78 | 77 | 76 | 75 | 74 | 73 | 72 | 71 | 70 | 69 | 68 | | 66 | 65 | 64 | 63 | | 61 | | |
| | | | | | | 60 | 59 | 58 | 57 | 56 | | | 53 | | | 50 | | | | | | 44 | 43 | | 41 | | |
| | | | | | | 40 | 39 | 38 | 37 | | 35 | 34 | 33 | 32 | | 30 | 29 | | 27 | 26 | | 24 | 23 | 22 | 21 | | 21 |
| SALEABLE | NOT APPLICABLE | 34566-1623 | 0 | B | ST GRAY | | | | | | | 66 | 65 | | | 62 | | 59 | | 57 | | 55 | 53 | | | | |
| | | | | | | | | | 48 | 47 | | | | | 42 | | 39 | | 37 | | 35 | | | | | 33 | |
| | | | | | | 73 | | | | | | | 29 | | | 26 | | 23 | | 21 | | | | | | | 17 |
| SALEABLE | NOT APPLICABLE | 34566-1633 | 0 | B | ST GRAY | | | | | 69 | 68 | | 66 | | | | | 59 | | 57 | | 55 | 53 | | | | |
| | | | | | | | | 50 | | 48 | 47 | | | | | | | 39 | | 37 | | 35 | | | | 33 | |
| | | | | | | 73 | | | | | | | 29 | | | 12 | 11 | 10 | | | 7 | 6 | 5 | 4 | 3 | | |

MX123 52/66/73/80-WAY RECEPTACLE ASSY SEALED PIN OUT SHEET

| STATUS | GM PART # | HRNS CONN ASSY | | | TPA | GROMMET CAP | | | | | | | | | | | | | | | | | | | | | | |
|----------|----------------|----------------|-------------------|------------------|--------------------|---|----|----|----|----|----|----|----|----|----|----|----|----|----|----|----|----|----|----|----|----|----|----|
| | | MATERIAL/PART | WIRE DRESS OPTION | KEY OPTION Fp | COLOR OPTION Fp | NUMBERS INDICATE CAVITIES OPEN FOR CIRCUITS | | | | | | | | | | | | | | | | | | | | | | |
| | | NUMBER | | | | Fp | | | | | | | | | | | | | | | | | | | | | | |
| SALEABLE | NOT APPLICABLE | 34566-1643 | 0 | B | ST GRY | | | | 69 | 68 | | 66 | | | | | | | 59 | | 57 | | 55 | | 53 | | | |
| | | | | | | | | 50 | | 48 | | 46 | | | | | | | 39 | | 37 | | 35 | | 33 | | | |
| | | | | | | 73 | | | | | | 29 | | | | | | 23 | | 21 | | | | | | | 17 | |
| SALEABLE | NOT APPLICABLE | 34566-1653 | 0 | B | ST GRY | | | | | | | 66 | | | | | | 59 | | 57 | | 55 | | 53 | | | | |
| | | | | | | | | 50 | | 48 | | 46 | | | | | | 39 | | 37 | | 35 | | 33 | | | | |
| | | | | | | 73 | | | | | | 29 | | | | | | 23 | | 21 | | | | | | | 17 | |
| SALEABLE | NOT APPLICABLE | 34566-1663 | 0 | B | ST GRY | | | | | | | 66 | | | | | | 59 | | 57 | | 55 | | 53 | | | | |
| | | | | | | | | 50 | | 48 | | 46 | | | | | | 39 | | 37 | | 35 | | 33 | | | | |
| | | | | | | 73 | | | | | | 29 | | | | | | 23 | | 21 | | | | | | | 17 | |
| SALEABLE | NOT APPLICABLE | 34566-1673 | 0 | A | BLACK | 72 | 71 | 70 | 69 | 68 | 67 | 66 | 65 | 64 | 63 | 62 | | 60 | 59 | | | | | 55 | 54 | 53 | | |
| | | | | | | 52 | | | 49 | 48 | | | 45 | 44 | 43 | 42 | 41 | 40 | 39 | | | | | | | 35 | 34 | 33 |
| | | | | | | 73 | | | | | | 29 | | | | 27 | | 25 | 24 | 23 | | | | | | | 19 | 18 |
| SALEABLE | NOT APPLICABLE | 34566-1683 | 0 | B | ST GRY | | | | | | | 67 | 66 | | | 63 | | | 59 | 58 | 57 | 56 | 55 | | 53 | | | |
| | | | | | | | | 50 | 49 | 48 | | | | | 43 | | | | 39 | 38 | 37 | 36 | 35 | | 33 | | | |
| | | | | | | 73 | | | | | | 29 | | | | 27 | | | 23 | 22 | 21 | | | | | | | 17 |
| SALEABLE | NOT APPLICABLE | 34566-1693 | 0 | B | ST GRY | | | | | | | 66 | | 64 | | | | 59 | | 57 | | 55 | | 53 | | | | |
| | | | | | | | | 49 | 48 | | 46 | | | | | | | 39 | | 37 | | 35 | | 33 | | | | |
| | | | | | | 73 | | | | | | 29 | | | | | | 23 | | 21 | | | | | | | 17 | |
| SALEABLE | NOT APPLICABLE | 34566-1713 | 0 | B | ST GRY | | 71 | 70 | | 68 | | 66 | 65 | 64 | 63 | | 60 | 59 | 58 | 57 | 56 | 55 | 54 | 53 | | | | |
| | | | | | | | 51 | 50 | 49 | 48 | | 46 | 45 | | 43 | | 41 | 40 | 39 | 38 | 37 | 36 | 35 | | 33 | | | |
| | | | | | | 73 | | | | | | 32 | 31 | 30 | | | | 24 | 23 | 22 | | 20 | 19 | | | | | |
| SALEABLE | NOT APPLICABLE | 34566-1723 | 0 | B | ST GRY | | | | | | | 67 | 66 | 65 | | | | 59 | 58 | 57 | | | | 54 | 53 | | | |
| | | | | | | | | 51 | 50 | 49 | 48 | | 46 | 45 | | 43 | | 41 | 40 | 39 | 38 | 37 | 36 | 35 | | 33 | | |
| | | | | | | 73 | | | | | | 32 | 31 | 30 | | | | 24 | 23 | 22 | | 20 | | | | | | |
| SALEABLE | NOT APPLICABLE | 34566-1733 | 0 | A | BLACK | | | 70 | | 68 | 67 | 66 | 65 | | | | | 58 | 57 | | | | 55 | | | | | |
| | | | | | | | | 49 | 48 | | 47 | | | 44 | 43 | 42 | 41 | | 39 | | 37 | | 35 | | | | | |
| | | | | | | 73 | | | | | | 32 | | 30 | | | | 27 | | 25 | 24 | | 21 | 20 | 19 | 18 | 17 | |
| SALEABLE | NOT APPLICABLE | 34566-1743 | 0 | A | BLACK | | | 70 | | 67 | 66 | 65 | | | | | 58 | 57 | | | | 55 | | | | | | |
| | | | | | | | | 49 | 48 | | 47 | | | 44 | 43 | 42 | 41 | | 39 | | 37 | | 35 | | | | | |
| | | | | | | 73 | | | | | | 32 | | 30 | | | | 27 | | 25 | 24 | | 21 | 20 | 19 | 18 | 17 | |
| SALEABLE | NOT APPLICABLE | 34566-1753 | 0 | A | BLACK | | | 70 | | 67 | 66 | 65 | | | | | 58 | 57 | | | | 55 | | | | | | |
| | | | | | | | | 49 | 48 | | 47 | | | 44 | 43 | 42 | 41 | | 39 | | 37 | | 35 | | | | | |
| | | | | | | 73 | | | | | | 32 | | | | | | 27 | | 25 | 24 | | 21 | 20 | 19 | 18 | 17 | |
| SALEABLE | NOT APPLICABLE | 34566-1763 | 0 | B | ST GRY | | | | | | | 67 | | 65 | | | 61 | 60 | 59 | 58 | 57 | | | 54 | 53 | | | |
| | | | | | | | | 51 | 50 | 49 | 48 | 47 | 46 | 45 | | 43 | | 40 | 39 | | 37 | | | | | 34 | 33 | |
| | | | | | | 73 | | | | | | 32 | 31 | 30 | | | | 26 | | 24 | 23 | 22 | 21 | 20 | | | | |
| SALEABLE | NOT APPLICABLE | 34566-1773 | 0 | C | BLUE | 72 | | 70 | | | | 67 | 66 | | | 63 | 62 | | | 59 | | 57 | | | 53 | | | |
| | | | | | | 52 | 51 | | | | | 46 | | 44 | | 42 | | 40 | 39 | | | | | | | 34 | 33 | |
| | | | | | | 73 | | | | | | | | 30 | | | | 27 | 26 | 25 | | | 22 | 21 | 20 | | | |
| SALEABLE | NOT APPLICABLE | 34566-1783 | 0 | C | BLUE | | | | | | | 67 | 66 | | | 63 | 62 | | | 59 | | 57 | | | 53 | | | |
| | | | | | | | | 51 | | | | 46 | | 44 | | 42 | | 40 | 39 | | | | | | | 34 | 33 | |
| | | | | | | 73 | | | | | | | | 30 | | | | 26 | 25 | | | 22 | 21 | 20 | | | | |
| SALEABLE | NOT APPLICABLE | 34566-1793 | 0 | A | BLACK | | | | 69 | | | | | | | 63 | 62 | 61 | | | 58 | 57 | 56 | 55 | 54 | 53 | | |
| | | | | | | | | 51 | | 49 | | | | 44 | 43 | 42 | 41 | | | | 37 | 36 | 35 | 34 | 33 | | | |
| | | | | | | 73 | | | | | | 32 | | | 29 | 28 | 27 | 26 | | | | | | | | | 19 | 18 |

MX123 52/66/73/80-WAY RECEPTACLE ASSY SEALED PIN OUT SHEET

| STATUS | GM PART # | HRNS CONN ASSY | | | TPA | GROMMET CAP | | | | | | | | | | | | | | | | | | | | | |
|----------|----------------|----------------|-------------------|------------------|--------------------|---|----|----|----|----|----|----|----|----|----|----|----|----|----|----|----|----|----|----|----|----|----|
| | | MATERIAL/PART | WIRE DRESS OPTION | KEY OPTION Fp | COLOR OPTION Fp | NUMBERS INDICATE CAVITIES OPEN FOR CIRCUITS | | | | | | | | | | | | | | | | | | | | | |
| | | NUMBER | | | | Fp | | | | | | | | | | | | | | | | | | | | | |
| SALEABLE | NOT APPLICABLE | 34566-1813 | 0 | B | ST GRAY | 72 | 71 | 70 | | 68 | 67 | 66 | | | | 62 | 61 | 60 | 59 | 58 | 57 | 56 | 55 | 54 | 53 | | |
| | | | | | | 52 | 51 | 50 | | 48 | 47 | 46 | | | | 42 | 41 | 40 | 39 | 38 | 37 | 36 | 35 | 34 | 33 | | |
| | | | | | | 73 | | | | 32 | 31 | 30 | 29 | 28 | 27 | 26 | 25 | 24 | 23 | | | | | | | | |
| SALEABLE | NOT APPLICABLE | 34566-1823 | 0 | A | BLACK | 72 | 71 | 70 | 69 | 68 | | 66 | 65 | 64 | | | 61 | | 59 | 58 | | 56 | | 54 | 53 | | |
| | | | | | | 52 | | 50 | 49 | | 47 | | | | | 42 | 41 | | | 38 | 37 | 36 | | 34 | 33 | | |
| | | | | | | 73 | | | | 32 | 31 | 30 | 29 | 28 | 27 | 26 | | 24 | 23 | 22 | 21 | 20 | 19 | 18 | 17 | | |
| SALEABLE | NOT APPLICABLE | 34566-1833 | 0 | A | BLACK | | | | | 68 | | 65 | | 63 | | 61 | | 59 | 58 | | 56 | | | | | | |
| | | | | | | 52 | | 50 | | | 47 | | | | | 41 | | | 38 | 37 | 36 | | 34 | 33 | | | |
| | | | | | | 73 | | | | 32 | 31 | 30 | 29 | 28 | 27 | | 25 | 24 | 23 | | | 20 | 19 | 18 | 17 | | |
| SALEABLE | NOT APPLICABLE | 34566-1843 | 0 | A | BLACK | | | | | 68 | | 65 | | 63 | | 61 | | 59 | 58 | | 56 | | | | | | |
| | | | | | | 52 | | 50 | | | 47 | | | | | 41 | | | 38 | 37 | 36 | | 34 | 33 | | | |
| | | | | | | 73 | | | | 32 | 31 | 30 | 29 | 28 | 27 | | 25 | 24 | 23 | | | 20 | 19 | 18 | 17 | | |
| SALEABLE | NOT APPLICABLE | 34566-1853 | 0 | A | BLACK | | | 70 | 69 | 68 | 67 | | 65 | | 63 | | 61 | 60 | | | 57 | 56 | 55 | 54 | 53 | | |
| | | | | | | 52 | | 50 | 49 | 48 | 47 | | | 44 | 43 | | 41 | 40 | | | 37 | 36 | 35 | 34 | 33 | | |
| | | | | | | 73 | | | | | | 30 | 29 | 28 | | | 25 | 24 | | | 21 | 20 | 19 | 18 | 17 | | |
| SALEABLE | NOT APPLICABLE | 34566-1863 | 0 | B | ST GRAY | | | | | 68 | 67 | | 66 | 65 | 64 | 63 | | | | | | | | | | | |
| | | | | | | | | | | | | 46 | 45 | | 43 | | | | | | | | | | | | |
| | | | | | | 73 | | | | 32 | | 30 | 29 | 28 | 27 | | | | | | | | | | | | |
| SALEABLE | NOT APPLICABLE | 34566-1873 | 0 | C | BLUE | 72 | | 70 | | | 67 | 66 | | | 63 | 62 | | | 59 | | 57 | | | | 53 | | |
| | | | | | | 52 | 51 | | | | | 46 | | 44 | | 42 | | 40 | 39 | | | | | | | 34 | 33 |
| | | | | | | 73 | | | | 32 | | 30 | | | 27 | 26 | 25 | | | 22 | 21 | 20 | | | | | |
| SALEABLE | NOT APPLICABLE | 34566-1883 | 0 | A | BLACK | | | 70 | | 68 | 67 | 66 | 65 | | | | | | 58 | 57 | | 55 | | | | | |
| | | | | | | | | | 49 | | 47 | | | 44 | 43 | 42 | 41 | 40 | 39 | | 37 | | 35 | | | | |
| | | | | | | 73 | | | | 32 | | 30 | | | 27 | | 25 | 24 | | | 21 | 20 | 19 | 18 | 17 | | |
| SALEABLE | NOT APPLICABLE | 34566-1893 | 0 | C | BLUE | | | 70 | | | | 66 | | | 63 | | | 59 | | 57 | | | | | 53 | | |
| | | | | | | 52 | 51 | | | | | 46 | | 44 | | 42 | | 40 | 39 | | | | | | | 34 | 33 |
| | | | | | | 73 | | | | 32 | | 30 | | | 27 | 26 | 25 | | | 22 | 21 | 20 | | | | | |
| SALEABLE | NOT APPLICABLE | 34566-1913 | 0 | B | ST GRAY | | | 70 | | 68 | | 66 | | | | | 60 | 59 | | | | 55 | 54 | 53 | | | |
| | | | | | | 52 | | 50 | | 48 | | 46 | | | | | 40 | 39 | | | | | 35 | 34 | 33 | | |
| | | | | | | 73 | | | | 32 | 31 | 30 | 29 | 28 | 27 | 26 | 25 | 24 | | | | | | | | | |
| SALEABLE | NOT APPLICABLE | 34566-1923 | 0 | A | BLACK | | | | 69 | | | | | | 63 | | | | 58 | | 56 | 55 | 54 | 53 | | | |
| | | | | | | 52 | 51 | | 49 | | | | | 44 | 43 | 42 | 41 | | | | | 36 | 35 | 34 | 33 | | |
| | | | | | | 73 | | | | 32 | | | | 28 | | 26 | | | | | | | 19 | 18 | | | |
| SALEABLE | NOT APPLICABLE | 34566-1933 | 0 | A | BLACK | | | 70 | | | 67 | 66 | 65 | | | | | 58 | 57 | | 55 | | | | | | |
| | | | | | | | | | 49 | | 47 | | | 44 | 43 | 42 | 41 | 40 | 39 | | 37 | | 35 | | | | |
| | | | | | | 73 | | | | 32 | | 30 | | | 27 | | 25 | 24 | | | 21 | 20 | 19 | 18 | 17 | | |
| SALEABLE | NOT APPLICABLE | 34566-1943 | 0 | A | BLACK | | | 70 | | | 67 | 66 | 65 | | | | | 58 | 57 | | 55 | | | | | | |
| | | | | | | | 51 | | 49 | | 47 | | | 44 | 43 | 42 | 41 | 40 | 39 | | 37 | | 35 | | | | |
| | | | | | | 73 | | | | 32 | | 30 | | | 27 | | 25 | 24 | | | 21 | 20 | 19 | 18 | 17 | | |
| SALEABLE | NOT APPLICABLE | 34566-1953 | 0 | C | BLUE | | | 70 | | | | 66 | | | 63 | | | 59 | | 57 | | | | | | | |
| | | | | | | 52 | 51 | | | 48 | 47 | 46 | | 44 | | 42 | | 40 | 39 | | | | | | | 34 | 33 |
| | | | | | | 73 | | | | | | 30 | | | | 26 | 25 | | | 22 | 21 | 20 | | | | | |
| SALEABLE | NOT APPLICABLE | 34566-1963 | 0 | C | BLUE | | | 70 | | | | 66 | | | 63 | | | 59 | | 57 | | | | | | | |
| | | | | | | 52 | 51 | | | | | 46 | | 44 | | 42 | | 40 | 39 | | | | | | | 34 | 33 |
| | | | | | | 73 | | | | | | 30 | | | | 26 | 25 | | | 22 | 21 | 20 | | | | | |

MX123 52/66/73/80-WAY RECEPTACLE ASSY SEALED PIN OUT SHEET

| STATUS | GM PART # | HRNS CONN ASSY | | | TPA | GROMMET CAP | | | | | | | | | | | | | | | | | | | | | | |
|----------|----------------|----------------|-------------------|------------------|--------------------|---|----|----|----|----|----|----|----|----|----|----|----|----|----|----|----|----|----|----|----|----|----|----|
| | | MATERIAL/PART | WIRE DRESS OPTION | KEY OPTION Fp | COLOR OPTION Fp | NUMBERS INDICATE CAVITIES OPEN FOR CIRCUITS | | | | | | | | | | | | | | | | | | | | | | |
| | | NUMBER | | | | Fp | | | | | | | | | | | | | | | | | | | | | | |
| SALEABLE | NOT APPLICABLE | 34566-1973 | 0 | A | BLACK | 52 | 51 | | 69 | | | | | | | | | | | | | | 56 | 55 | 54 | 53 | | |
| | | | | | | | | | 49 | | | | | | 44 | 63 | 42 | 41 | | | | | | | 36 | 35 | 34 | 33 |
| | | | | | | 73 | | | | 32 | | | | 28 | | 26 | | | 23 | | | | | 21 | | | 19 | 18 |
| SALEABLE | NOT APPLICABLE | 34566-1983 | 0 | B | ST GRAY | | | | | | | | | | | | | | | | | | | | | | | |
| | | | | | | 73 | | | | | | | | | | | | | | | | | | | | | | |
| | | | | | | | | | | | | | | | | | | | | | | | | | | | | |
| SALEABLE | NOT APPLICABLE | 34566-1993 | 0 | C | BLUE | | | | | | | | | | | | | | | | | | | | | | | |
| | | | | | | 73 | | | | | | | | | | | | | | | | | | | | | | |
| | | | | | | | | | | | | | | | | | | | | | | | | | | | | |
| SALEABLE | NOT APPLICABLE | 34566-2013 | 0 | A | BLACK | | 71 | 70 | | | | | 65 | | | | | 60 | 59 | 58 | 57 | | | | 54 | 53 | | |
| | | | | | | | 51 | 50 | 49 | 48 | | 46 | 45 | | 43 | | 41 | 40 | 39 | | 37 | 36 | 35 | | | | | 33 |
| | | | | | | 73 | | | | 32 | 31 | 30 | | | | | | 24 | 23 | 22 | | 20 | | | | | | |
| SALEABLE | NOT APPLICABLE | 34566-2023 | 0 | A | BLACK | | | 70 | | 68 | 67 | 66 | 65 | | | | | | | 58 | 57 | | | 55 | | | | |
| | | | | | | | | | 49 | | 47 | | | 44 | 43 | 42 | 41 | | 39 | | 37 | | 35 | | | | | |
| | | | | | | 73 | | | | 32 | | 30 | | | | 27 | | 25 | 24 | | | 21 | 20 | 19 | 18 | 17 | | |
| SALEABLE | NOT APPLICABLE | 34566-2033 | 0 | A | BLACK | | 71 | 70 | | | | | 65 | 64 | | | | 60 | 59 | 58 | 57 | | | 55 | 54 | 53 | | |
| | | | | | | | 51 | 50 | 49 | 48 | | 46 | 45 | | 43 | | 41 | 40 | 39 | | 37 | 36 | 35 | | | | | 33 |
| | | | | | | 73 | | | | 32 | 31 | 30 | | | | | | 24 | 23 | 22 | | 20 | | | | | | |
| SALEABLE | NOT APPLICABLE | 34566-2043 | 0 | A | BLACK | | | 70 | | | 67 | 66 | 65 | | | | | | 58 | 57 | | | 55 | | | | | |
| | | | | | | | | | 49 | | 47 | | | 44 | 43 | 42 | 41 | | 39 | | 37 | | 35 | | | | | |
| | | | | | | 73 | | | | 32 | | 30 | | | | 27 | | 25 | 24 | | | 21 | 20 | 19 | 18 | 17 | | |
| SALEABLE | NOT APPLICABLE | 34566-2053 | 0 | B | ST GRAY | | | 70 | | 68 | 67 | 66 | 65 | | | | | | 58 | 57 | | | 55 | | | | | |
| | | | | | | | | | 49 | | 47 | | | 44 | 43 | 42 | 41 | | 39 | | 37 | | 35 | | | | | |
| | | | | | | 73 | | | | 32 | | 30 | | | | 27 | | 25 | 24 | 23 | | 21 | 20 | 19 | 18 | | | |
| SALEABLE | NOT APPLICABLE | 34566-2063 | 0 | H | ST GRAY | | | 78 | | | | | | 72 | 71 | 70 | 69 | 68 | | 66 | 65 | 64 | 63 | | 61 | | | |
| | | | | | | | | 58 | 57 | 56 | | | 53 | 52 | | 50 | | | | | | | 44 | 43 | | | 41 | |
| | | | | | | 40 | | | 37 | | 35 | 34 | | | 32 | | 30 | 29 | | 27 | 26 | | | | | | 22 | 21 |
| SALEABLE | NOT APPLICABLE | 34566-2073 | 0 | H | ST GRAY | | | 78 | | | | | | 72 | 71 | 70 | 69 | 68 | | 66 | 65 | 64 | 63 | | 61 | | | |
| | | | | | | | | 58 | 57 | 56 | | | 53 | 52 | | 50 | | | | | | | 44 | 43 | | | 41 | |
| | | | | | | 40 | | | 37 | | 35 | 34 | | | 32 | | 30 | 29 | | 27 | 26 | | | | | | 22 | 21 |
| SALEABLE | NOT APPLICABLE | 34566-2083 | 0 | H | ST GRAY | | | 78 | | | | | | 72 | 71 | 70 | 69 | 68 | 67 | 66 | 65 | 64 | 63 | | 61 | | | |
| | | | | | | | | 58 | 57 | 56 | | | 53 | 52 | 51 | 50 | | | | | | | 44 | 43 | | | 41 | |
| | | | | | | 40 | | | 37 | | 35 | 34 | | | 32 | | 30 | 29 | | 27 | 26 | | | | | | 22 | 21 |
| SALEABLE | NOT APPLICABLE | 34566-2093 | 0 | A | BLACK | | | | | 68 | | | 65 | | 63 | | 61 | | 59 | 58 | | | 56 | | | | | |
| | | | | | | | | 50 | | | 47 | | | | | 41 | | | 38 | 37 | 36 | | | 34 | 33 | | | |
| | | | | | | 73 | | | | 32 | 31 | 30 | 29 | 28 | 27 | | 25 | 24 | 23 | | | 20 | 19 | 18 | 17 | | | |
| SALEABLE | NOT APPLICABLE | 34566-2113 | 0 | H | ST GRAY | | 79 | 78 | 77 | 76 | 75 | 74 | 73 | 72 | 71 | 70 | 69 | 68 | | 66 | 65 | 64 | 63 | | 61 | | | |
| | | | | | | | 60 | 59 | 58 | 57 | 56 | 55 | | 53 | 52 | | 50 | | | | | | 44 | 43 | 42 | 41 | | |
| | | | | | | 40 | 39 | 38 | 37 | | 35 | 34 | 33 | 32 | | 30 | 29 | | 27 | 26 | | | | | | | 22 | 21 |
| SALEABLE | NOT APPLICABLE | 34566-2123 | 0 | H | ST GRAY | | | 79 | 78 | 77 | 76 | 75 | 74 | 73 | 72 | 71 | 70 | 69 | 68 | | 66 | 65 | 64 | 63 | | 61 | | |
| | | | | | | | | 59 | 58 | 57 | 56 | 55 | | 53 | 52 | | 50 | | | | | | 44 | 43 | 42 | 41 | | |
| | | | | | | 40 | 39 | 38 | 37 | | 35 | 34 | 33 | 32 | | 30 | 29 | | 27 | 26 | | | | | | | 22 | 21 |
| SALEABLE | NOT APPLICABLE | 34566-2133 | 0 | B | ST GRAY | | 71 | 70 | | | | | 65 | 64 | | | | 60 | 59 | 58 | 57 | | | 55 | 54 | 53 | | |
| | | | | | | | 51 | 50 | 49 | 48 | | 46 | 45 | | 43 | | 41 | 40 | 39 | | 37 | 36 | 35 | | | | | 33 |
| | | | | | | 73 | | | | 32 | 31 | 30 | | | | | | 24 | 23 | 22 | | 20 | | | | | | |

MX123 52/66/73/80-WAY RECEPTACLE ASSY SEALED PIN OUT SHEET

| STATUS | GM PART # | HRNS CONN ASSY | | | TPA | GROMMET CAP | | | | | | | | | | | | | | | | | | | | |
|----------|----------------|----------------|-------------------|------------------|--------------------|---|----|----|----|----|----|----|----|----|----|----|----|----|----|----|----|----|----|----|----|----|
| | | MATERIAL/PART | WIRE DRESS OPTION | KEY OPTION Fp | COLOR OPTION Fp | NUMBERS INDICATE CAVITIES OPEN FOR CIRCUITS | | | | | | | | | | | | | | | | | | | | |
| | | NUMBER | | | | Fp | | | | | | | | | | | | | | | | | | | | |
| SALEABLE | NOT APPLICABLE | 34566-2143 | 0 | B | ST GRAY | 71 | 70 | | | | | 65 | | | | 60 | 59 | 58 | 57 | | | 54 | 53 | | | |
| | | | | | | 51 | 50 | 49 | 48 | | 46 | 45 | | 43 | | 41 | 40 | 39 | | 37 | 36 | 35 | | | 33 | |
| | | | | | | 73 | | | 32 | 31 | 30 | | | | | 24 | 23 | 22 | | 20 | | | | | | |
| SALEABLE | NOT APPLICABLE | 34566-2153 | 0 | A | BLACK | | | 70 | | 68 | 67 | 66 | 65 | | | | | 58 | 57 | | 55 | | | | | |
| | | | | | | | | 49 | | 47 | | | 44 | 43 | 42 | 41 | | 39 | | 37 | | | | | | |
| | | | | | | 73 | | | 32 | | 30 | | | 27 | | 25 | 24 | 23 | | 21 | 20 | 19 | 18 | | | |
| SALEABLE | NOT APPLICABLE | 34566-2163 | 0 | A | BLACK | | | 70 | | | 67 | 66 | | | | 61 | | 58 | | 55 | 54 | | | | | |
| | | | | | | | | 49 | | 47 | | 45 | 44 | 43 | 42 | 41 | | 39 | | 37 | | | 34 | | | |
| | | | | | | 73 | | | 32 | | | | | 27 | | 24 | | | 21 | 20 | 19 | 18 | 17 | | | |
| SALEABLE | NOT APPLICABLE | 34566-2173 | 0 | A | BLACK | | | 70 | | | 67 | 66 | 65 | | | 61 | | 58 | | 55 | 54 | | | | | |
| | | | | | | | | 49 | | 47 | | 45 | 44 | 43 | 42 | 41 | | 39 | | 37 | | | 34 | | | |
| | | | | | | 73 | | | 32 | | 30 | | | 27 | | 25 | 24 | | 21 | 20 | 19 | 18 | 17 | | | |
| SALEABLE | NOT APPLICABLE | 34566-2183 | 0 | A | BLACK | | | 70 | | | 67 | 66 | | | | | 58 | 57 | | 55 | | | | | | |
| | | | | | | | | 49 | | 47 | | | 44 | 43 | 42 | 41 | | 39 | | 37 | | | | | | |
| | | | | | | 73 | | | 32 | | | | | 27 | | 24 | | | 21 | 20 | 19 | 18 | 17 | | | |
| SALEABLE | NOT APPLICABLE | 34566-2193 | 0 | A | BLACK | | | 70 | | | 67 | 66 | 65 | | | | 58 | 57 | | 55 | | | | | | |
| | | | | | | | | 49 | | 47 | | | 44 | 43 | 42 | 41 | | 39 | | 37 | | | 34 | | | |
| | | | | | | 73 | | | 32 | | 30 | | | 27 | | 25 | 24 | | 21 | 20 | 19 | 18 | 17 | | | |
| SALEABLE | NOT APPLICABLE | 34566-2213 | 9 | H | ST GRAY | | 79 | 78 | 77 | 76 | 75 | 74 | 73 | 72 | 71 | 70 | 69 | 68 | | 66 | 65 | 64 | 63 | | 61 | |
| | | | | | | 60 | 59 | 58 | 57 | 56 | | | 53 | | | 50 | | | | | | | 44 | 43 | | 41 |
| | | | | | | 40 | 39 | 38 | 37 | | 35 | 34 | 33 | 32 | | 30 | 29 | | 27 | 26 | | | 24 | 23 | 22 | 21 |
| SALEABLE | NOT APPLICABLE | 34566-2223 | 0 | A | BLACK | | | | | | | | | | | | | | | | | | | | | |
| | | | | | | 20 | 19 | 18 | 17 | | | 14 | 13 | 12 | 11 | 10 | 9 | 8 | | 6 | 5 | | 3 | 2 | | |
| | | | | | | 73 | | | 32 | | | | | 27 | | 24 | 23 | | | | | | 19 | 18 | 17 | |
| SALEABLE | NOT APPLICABLE | 34566-2233 | 0 | A | BLACK | | | | 69 | | | | | | 63 | | | | 58 | | 56 | | 54 | | | |
| | | | | | | 52 | 51 | | 49 | | | | | 44 | 43 | 42 | 41 | | | | | 36 | 35 | 34 | 33 | |
| | | | | | | 73 | | | 32 | | | | 28 | | 26 | | | | | | | | 19 | 18 | | |
| SALEABLE | NOT APPLICABLE | 34566-2243 | 0 | H | ST GRAY | | 79 | 78 | 77 | 76 | 75 | 74 | 73 | 72 | 71 | 70 | 69 | 68 | | 66 | 65 | 64 | 63 | | 61 | |
| | | | | | | 60 | 59 | 58 | 57 | 56 | | | 53 | 52 | | 50 | | | | | | | 44 | 43 | | 41 |
| | | | | | | 40 | 39 | 38 | 37 | | 35 | 34 | 33 | 32 | | 30 | 29 | | 27 | 26 | | | 24 | 23 | 22 | 21 |
| SALEABLE | NOT APPLICABLE | 34566-2253 | 0 | A | BLACK | | | | | | | | | | | | | | | | | | | | | |
| | | | | | | 20 | 19 | 18 | 17 | 16 | | 14 | 13 | 12 | 11 | 10 | 9 | 8 | | 6 | 5 | | 3 | 2 | | |
| | | | | | | 73 | | | 32 | 31 | 30 | 29 | 28 | 27 | 26 | | 24 | 23 | 22 | 21 | 20 | 19 | 18 | 17 | | |
| SALEABLE | NOT APPLICABLE | 34566-2263 | 0 | A | BLACK | | | | 69 | | | | | | 63 | | | | 58 | | 56 | | 54 | | | |
| | | | | | | 52 | 51 | 50 | 49 | | | | | 44 | 43 | 42 | 41 | | | | | 36 | 35 | 34 | 33 | |
| | | | | | | 73 | | | 32 | | | | 28 | | 26 | | | | | | | | 19 | 18 | | |
| SALEABLE | NOT APPLICABLE | 34566-2273 | 0 | A | BLACK | | | | 69 | | | | | | 63 | 62 | 61 | | | 58 | 57 | 56 | 55 | 54 | 53 | |
| | | | | | | 52 | 51 | 50 | 49 | | | | | 44 | 43 | 42 | 41 | | | | | 37 | 36 | 35 | 34 | 33 |
| | | | | | | 73 | | | 32 | | | 29 | 28 | 27 | 26 | | | | | | | | 19 | 18 | | |
| SALEABLE | NOT APPLICABLE | 34566-2283 | 0 | B | ST GRAY | | | | | 68 | 67 | 66 | 65 | 64 | 63 | | | | | | | | | | | |
| | | | | | | | | | 49 | | 48 | | 46 | 45 | 44 | 43 | | | | | | | | | | |
| | | | | | | 73 | | | 32 | | 30 | 29 | 28 | 27 | | | | | | | | | | | | |
| SALEABLE | NOT APPLICABLE | 34566-2293 | 0 | C | BLUE | | | | 70 | | 68 | | 66 | | 63 | | | | 59 | | 57 | | | 53 | | |
| | | | | | | 52 | 51 | | | 48 | 47 | 46 | | 44 | | 42 | | 40 | 39 | | | | | | 34 | 33 |
| | | | | | | 73 | | | | | 30 | | | | 26 | 25 | | | 22 | 21 | | | | | | |

MX123 52/66/73/80-WAY RECEPTACLE ASSY SEALED PIN OUT SHEET

| STATUS | GM PART # | HRNS CONN ASSY | | | TPA | GROMMET CAP | | | | | | | | | | | | | | | | | | | | | |
|----------|----------------|----------------|-------------------|------------------|--------------------|---|----|----|----|----|----|----|----|----|----|----|----|----|----|----|----|----|----|----|----|----|----|
| | | MATERIAL/PART | WIRE DRESS OPTION | KEY OPTION Fp | COLOR OPTION Fp | NUMBERS INDICATE CAVITIES OPEN FOR CIRCUITS | | | | | | | | | | | | | | | | | | | | | |
| | | NUMBER | | | | | | | | | | | | | | | | | | | | | | | | | |
| SALEABLE | NOT APPLICABLE | 34566-2313 | 0 | C | BLUE | 72 | | 70 | | | | 66 | | | 63 | | | 59 | | 57 | | | | | 53 | | |
| | | | | | | 52 | 51 | | | | | 46 | | 44 | | 42 | | 40 | 39 | | | | | | | 34 | 33 |
| | | | | | | 73 | | | | | | 30 | | | | 26 | 25 | | | 22 | 21 | | | | | | |
| SALEABLE | NOT APPLICABLE | 34566-2323 | 0 | C | BLUE | 72 | | 70 | | 68 | | 66 | | | 63 | | | 59 | | 57 | | | | | 53 | | |
| | | | | | | 52 | 51 | | | 48 | 47 | 46 | | 44 | | 42 | | 40 | 39 | | | | | | | 34 | 33 |
| | | | | | | 73 | | | | | | 30 | | | | 26 | 25 | | | 22 | 21 | 20 | | | | | |
| SALEABLE | NOT APPLICABLE | 34566-2333 | 0 | A | BLACK | | 71 | | 69 | 68 | | | 65 | 64 | 63 | | | 59 | | 57 | 56 | | | | | | |
| | | | | | | 52 | | 50 | 49 | | | 47 | | | | 41 | | 39 | 38 | 37 | 36 | | | | 34 | 33 | |
| | | | | | | 73 | | | | 32 | 31 | 30 | 29 | 28 | 27 | | | 24 | 23 | 22 | | 20 | 19 | 18 | | | |
| SALEABLE | NOT APPLICABLE | 34566-2343 | 0 | A | BLACK | | | | 69 | 68 | 67 | 66 | 65 | | | | | 59 | 58 | 57 | | 55 | | | | | |
| | | | | | | 52 | | | 49 | | | 47 | | | 44 | 43 | 42 | 41 | | 39 | | 37 | 36 | | 34 | 33 | |
| | | | | | | 73 | | | | 32 | | 30 | | | 27 | | 25 | 24 | | | 21 | 20 | 19 | 18 | 17 | | |
| SALEABLE | NOT APPLICABLE | 34566-2353 | 0 | A | BLACK | | | | 69 | 68 | 67 | 66 | 65 | | | | | 59 | 58 | 57 | | 55 | | | | | |
| | | | | | | 52 | | | 49 | | | 47 | | | 44 | 43 | 42 | 41 | | 39 | | 37 | 36 | | 34 | 33 | |
| | | | | | | 73 | | | | 32 | | 30 | | | 27 | | 25 | 24 | | | 21 | 20 | 19 | 18 | 17 | | |
| SALEABLE | NOT APPLICABLE | 34566-2363 | 0 | C | BLUE | 72 | | 70 | | | | 66 | | | 63 | 62 | | 59 | | 57 | | | | | 53 | | |
| | | | | | | 52 | 51 | | | | | 46 | | 44 | | 42 | | 40 | 39 | 38 | | | | | 34 | 33 | |
| | | | | | | 73 | | | | 32 | | 30 | | | 27 | 26 | 25 | | | 22 | 21 | 20 | | | | | |
| SALEABLE | NOT APPLICABLE | 34566-2373 | 0 | B | ST GRV | | | | | 68 | 67 | 66 | 65 | 64 | | | 61 | 60 | 59 | 58 | 57 | | 55 | 54 | 53 | | |
| | | | | | | | 51 | 50 | 49 | 48 | 47 | 46 | 45 | | 43 | 42 | 41 | 40 | 39 | 38 | 37 | | 35 | 34 | 33 | | |
| | | | | | | 73 | | | | 32 | 31 | 30 | | | 26 | | 24 | 23 | 22 | 21 | 20 | | | | | | |
| SALEABLE | NOT APPLICABLE | 34566-2383 | 0 | B | ST GRV | | | | | | | | 65 | | | | | 59 | 57 | | 55 | | | | | | |
| | | | | | | | | 50 | 49 | 48 | | 46 | | | | | | 39 | | 37 | | 35 | | | | | |
| | | | | | | 73 | | | | | | | 29 | | | | 24 | 23 | | 21 | | | | | | | |
| SALEABLE | NOT APPLICABLE | 34566-2393 | 0 | B | ST GRV | | | | | | | | | | | | 59 | 57 | | 55 | | | | | | | |
| | | | | | | | | 50 | 49 | 48 | | 46 | | | | | | 39 | | 37 | | 35 | | | | | |
| | | | | | | 73 | | | | | | | 29 | | | | | 23 | | 21 | | | | | | | |
| SALEABLE | NOT APPLICABLE | 34566-2413 | 0 | A | BLACK | | | 70 | | | 67 | 66 | 65 | | | | | 59 | 57 | | 55 | | | | | | |
| | | | | | | | | 49 | | | 47 | | | 44 | 43 | 42 | 41 | | 39 | | 37 | 36 | | 34 | 33 | | |
| | | | | | | 73 | | | | 32 | | 30 | | | 27 | | 25 | 24 | | | 21 | 20 | 19 | 18 | 17 | | |
| SALEABLE | NOT APPLICABLE | 34566-2423 | 0 | A | BLACK | | | | | | | | | | 63 | | | | 58 | 57 | 56 | 55 | 54 | 53 | | | |
| | | | | | | 52 | 51 | | 49 | | | | | 44 | 43 | 42 | 41 | | | | | 36 | 35 | 34 | 33 | | |
| | | | | | | 73 | | | | 32 | | | | | 28 | | 26 | | | | | | 19 | 18 | | | |
| SALEABLE | NOT APPLICABLE | 34566-2433 | 0 | A | BLACK | | | | 69 | | | | | | 63 | | | | | 56 | 55 | 54 | 53 | | | | |
| | | | | | | 52 | 51 | | 49 | | | | | 44 | 43 | 42 | 41 | | | | | 36 | 35 | 34 | 33 | | |
| | | | | | | 73 | | | | 32 | | | | | 28 | | 26 | | | 23 | | | | | 19 | 18 | |
| SALEABLE | NOT APPLICABLE | 34566-2443 | 0 | C | BLUE | 72 | | 70 | | 68 | | 66 | | | 63 | | | 59 | | 57 | | | | | 53 | | |
| | | | | | | 52 | 51 | | | 48 | 47 | 46 | | 44 | | | 40 | 39 | | | | | | | 34 | 33 | |
| | | | | | | 73 | | | | 32 | | 30 | | | 26 | 25 | | | 22 | 21 | 20 | | | | | | |
| SALEABLE | NOT APPLICABLE | 34566-2453 | 0 | A | BLACK | | 71 | | 69 | | | | 65 | 64 | 63 | | | | 58 | 57 | 56 | 55 | 54 | 53 | | | |
| | | | | | | 52 | 51 | | 49 | | | | 45 | 44 | 43 | 42 | 41 | | | | 37 | 36 | 35 | 34 | 33 | | |
| | | | | | | 73 | | | | 32 | | 30 | | 28 | | 26 | | | 23 | | | | | | 19 | 18 | |
| SALEABLE | NOT APPLICABLE | 34566-2463 | 0 | A | BLACK | | 71 | | 69 | | | | 65 | 64 | 63 | | | | 57 | 56 | 55 | 54 | 53 | | | | |
| | | | | | | 52 | 51 | | 49 | | | | 45 | 44 | 43 | 42 | 41 | | | | 37 | 36 | 35 | 34 | 33 | | |
| | | | | | | 73 | | | | 32 | | 30 | 29 | 28 | | 26 | | | 23 | | | | | | 19 | 18 | |

MX123 52/66/73/80-WAY RECEPTACLE ASSY SEALED PIN OUT SHEET

| STATUS | GM PART # | HRNS CONN ASSY | | | TPA | GROMMET CAP | | | | | | | | | | | | | | | | | | | | | | | |
|----------|----------------|---|-------------------|------------------|--------------------|---|----|----|----|----|----|----|----|----|----|----|----|----|----|----|----|----|----|----|----|----|----|----|----|
| | | MATERIAL/PART | WIRE DRESS OPTION | KEY OPTION Fp | COLOR OPTION Fp | NUMBERS INDICATE CAVITIES OPEN FOR CIRCUITS | | | | | | | | | | | | | | | | | | | | | | | |
| | | NUMBER | | | | Fp | | | | | | | | | | | | | | | | | | | | | | | |
| SALEABLE | NOT APPLICABLE | 34566-2473 | 0 | A | BLACK | | | 70 | | 68 | 67 | 66 | 65 | | | | | | | 58 | 57 | | 55 | | | | | | |
| | | | | | | | | 49 | | | 47 | | 30 | | | 44 | 43 | 42 | 41 | | 39 | | | 21 | 20 | 19 | 18 | 17 | |
| | | | | | | 73 | | | | | | | | | | | | | | | | | | | | | | | |
| SALEABLE | NOT APPLICABLE | 34566-2483 | 0 | A | BLACK | | | | 69 | | | | | | | | 63 | 62 | 61 | | | 58 | 57 | 56 | 55 | 54 | 53 | | |
| | | | | | | 52 | 51 | | 49 | | | | | 44 | 43 | 42 | 41 | | | | | 37 | 36 | 35 | 34 | 33 | | | |
| | | | | | | 73 | | | | | | | | | | | | | | | | | | | | | | | |
| SALEABLE | NOT APPLICABLE | 34566-2493 SAME AS P/N 34566-3863 | 0 | B | ST GRN | 72 | 71 | 70 | | 68 | 67 | 66 | | | | | 62 | 61 | 60 | 59 | 58 | 57 | 56 | 55 | 54 | 53 | | | |
| | | | | | | 52 | 51 | 50 | | 48 | 47 | 46 | | | | | 42 | 41 | 40 | 39 | 38 | 37 | 36 | 35 | 34 | 33 | | | |
| | | | | | | 73 | | | | | | | | | | | | | | | | | | | | | | | |
| SALEABLE | NOT APPLICABLE | 34566-2513 | 0 | C | BLUE | 72 | | 70 | | 68 | 67 | 66 | | | | 63 | 62 | | | 59 | | 57 | | | | 53 | | | |
| | | | | | | 52 | 51 | | | 48 | 47 | 46 | | 44 | | 42 | | 40 | 39 | | | | | | | | 34 | 33 | |
| | | | | | | 73 | | | | | | | | | | | | | | | | | | | | | | | |
| SALEABLE | NOT APPLICABLE | 34566-2523 | 0 | A | BLACK | 72 | 71 | 70 | 69 | 68 | 67 | 66 | 65 | 64 | 63 | 62 | | 60 | 59 | | | | | | 55 | 54 | 53 | | |
| | | | | | | 52 | | | 49 | 48 | | | 45 | 44 | 43 | 42 | 41 | 40 | 39 | | | | | | | | 35 | 34 | 33 |
| | | | | | | 73 | | | | | | | | | | | | | | | | | | | | | | | |
| SALEABLE | NOT APPLICABLE | 34566-2533 | 0 | B | ST GRN | | | | | | 67 | 66 | 65 | | | 63 | | | | 59 | 58 | 57 | 56 | 55 | 54 | 53 | | | |
| | | | | | | | | 50 | 49 | 48 | | 46 | 45 | | 43 | | | | 39 | 38 | 37 | 36 | 35 | 34 | 33 | | | | |
| | | | | | | 73 | | | | | | | | | | | | | | | | | | | | | | | |
| SALEABLE | NOT APPLICABLE | 34566-2543 | 0 | C | BLUE | 72 | | 70 | | | | 66 | | | 63 | | | | 59 | | 57 | | | | | 53 | | | |
| | | | | | | 52 | 51 | | | | | 46 | | 44 | | 42 | | 40 | 39 | | | | | | | | 34 | 33 | |
| | | | | | | 73 | | | | | | | | | | | | | | | | | | | | | | | |
| SALEABLE | NOT APPLICABLE | 34566-2553 | 9 | B | ST GRN | 72 | 71 | 70 | | 68 | 67 | 66 | | | | 62 | 61 | 60 | 59 | 58 | 57 | 56 | 55 | 54 | 53 | | | | |
| | | | | | | 52 | 51 | 50 | | 48 | 47 | 46 | | | | 42 | 41 | 40 | 39 | 38 | 37 | 36 | 35 | 34 | 33 | | | | |
| | | | | | | 73 | | | | | | | | | | | | | | | | | | | | | | | |
| SALEABLE | NOT APPLICABLE | 34566-2563 | 9 | A | BLACK | | | | 69 | | | | | | | 63 | 62 | 61 | | | 58 | 57 | 56 | 55 | 54 | 53 | | | |
| | | | | | | 52 | 51 | 50 | 49 | | | | | 44 | 43 | 42 | 41 | | 39 | | | | 37 | 36 | 35 | 34 | 33 | | |
| | | | | | | 73 | | | | | | | | | | | | | | | | | | | | | | | |
| SALEABLE | NOT APPLICABLE | 34566-2573 | 9 | C | BLUE | 72 | | 70 | | | 67 | 66 | | | | 63 | 62 | | | 59 | | 57 | | | | 53 | | | |
| | | | | | | 52 | 51 | | | | | 46 | | 44 | | 42 | | 40 | 39 | | | | | | | | 34 | 33 | |
| | | | | | | 73 | | | | | | | | | | | | | | | | | | | | | | | |
| SALEABLE | NOT APPLICABLE | 34566-2583 | 0 | A | BLACK | | | | 69 | | | | | | | 63 | | | | | 58 | 57 | 56 | 55 | 54 | 53 | | | |
| | | | | | | 52 | 51 | 50 | 49 | | | | | 44 | 43 | 42 | 41 | | 39 | | | | | | | 36 | 35 | 34 | 33 |
| | | | | | | 73 | | | | | | | | | | | | | | | | | | | | | | | |
| SALEABLE | NOT APPLICABLE | 34566-2593 | 0 | C | BLUE | 72 | | 70 | | | | 66 | | | 63 | 62 | | | 59 | | 57 | | | | | 53 | | | |
| | | | | | | 52 | 51 | | | | | 46 | | 44 | | 42 | | 40 | 39 | | | | | | | | 34 | 33 | |
| | | | | | | 73 | | | | | | | | | | | | | | | | | | | | | | | |
| SALEABLE | NOT APPLICABLE | 34566-2613 | 9 | C | BLUE | 72 | | 70 | | | 67 | 66 | | | | 63 | 62 | | | 59 | | 57 | | | | 53 | | | |
| | | | | | | 52 | 51 | | | | | 46 | | 44 | | 42 | | 40 | 39 | | | | | | | | 34 | 33 | |
| | | | | | | 73 | | | | | | | | | | | | | | | | | | | | | | | |
| SALEABLE | NOT APPLICABLE | 34566-2623 | 0 | A | BLACK | | 71 | | 69 | 68 | 67 | | 65 | 64 | 63 | | 61 | | 59 | | 57 | 56 | | | | | | | |
| | | | | | | | | 50 | 49 | | 47 | | | | | 41 | | | | 38 | 37 | 36 | | | | | 34 | 33 | |
| | | | | | | 73 | | | | | | | | | | | | | | | | | | | | | | | |
| SALEABLE | NOT APPLICABLE | 34566-2633 | 0 | A | BLACK | | 71 | | 69 | 68 | 67 | | 65 | 64 | | | 61 | | 59 | | 57 | 56 | | | | | | | |
| | | | | | | | | 50 | 49 | | 47 | | | | | 41 | | | | 38 | 37 | 36 | | | | | 33 | | |
| | | | | | | 73 | | | | | | | | | | | | | | | | | | | | | | | |

MX123 52/66/73/80-WAY RECEPTACLE ASSY SEALED PIN OUT SHEET

| STATUS | GM PART # | HRNS CONN ASSY | | | TPA | GROMMET CAP | | | | | | | | | | | | | | | | | | | | | | | | | | |
|----------|----------------|----------------|-------------------|------------------|--------------------|---|----|----|----|----|----|----|----|----|----|----|----|----|----|----|----|----|----|----|----|----|----|----|----|----|----|----|
| | | MATERIAL/PART | WIRE DRESS OPTION | KEY OPTION Fp | COLOR OPTION Fp | NUMBERS INDICATE CAVITIES OPEN FOR CIRCUITS | | | | | | | | | | | | | | | | | | | | | | | | | | |
| | | NUMBER | | | | | | | | | | | | | | | | | | | | | | | | | | | | | | |
| SALEABLE | NOT APPLICABLE | 34566-2643 | 0 | A | BLACK | 71 | | 69 | 68 | 67 | | 65 | 64 | 63 | | 61 | | 59 | | 57 | 56 | | | | | | 34 | 33 | | | | |
| | | | | | | 50 | 49 | | | 32 | 31 | 30 | 29 | 28 | 27 | | 24 | 23 | 22 | | 20 | 19 | 18 | | | | | | | | | |
| | | | | | | 73 | | | | | 16 | | | | 13 | 12 | 11 | 10 | 9 | | 7 | | | | 4 | | | | | | | |
| SALEABLE | NOT APPLICABLE | 34566-2653 | 0 | A | BLACK | 71 | | 69 | 68 | 67 | | 65 | 64 | | | 61 | | 59 | | 57 | 56 | | | | | | | | 33 | | | |
| | | | | | | 50 | 49 | | | 32 | 31 | 30 | 29 | 28 | 27 | | 24 | 23 | 22 | | 20 | 19 | 18 | | | | | | | | | |
| | | | | | | 73 | | | | | 16 | | | | | | 11 | 10 | 9 | | 7 | | | | 4 | | | | | | | |
| SALEABLE | NOT APPLICABLE | 34566-2663 | 0 | H | ST GRAY | 79 | 78 | 77 | 76 | 75 | 74 | 73 | 72 | 71 | 70 | 69 | 68 | | 66 | 65 | 64 | 63 | | | | | | | 61 | | | |
| | | | | | | 60 | 59 | 58 | 57 | 56 | | | 53 | | | 50 | | | | | | | | 44 | 43 | | | | | 41 | | |
| | | | | | | 40 | 39 | 38 | 37 | | | 35 | 34 | | | 32 | | | 30 | 29 | | 27 | 26 | | | | | | | | 22 | 21 |
| | | | | | | 20 | 19 | 18 | 17 | | | | | | | 13 | 12 | | | | 8 | | 6 | 5 | | | 3 | 2 | | | | |
| SALEABLE | NOT APPLICABLE | 34566-2673 | 0 | H | ST GRAY | 79 | 78 | 77 | 76 | 75 | 74 | 73 | 72 | 71 | 70 | 69 | 68 | | 66 | 65 | 64 | 63 | | | | | | | 61 | | | |
| | | | | | | 60 | 59 | 58 | 57 | 56 | | | 53 | 52 | | 50 | | | | | | | | 44 | 43 | | | | | 41 | | |
| | | | | | | 40 | 39 | 38 | 37 | | | 35 | 34 | | | 32 | | | 30 | 29 | | 27 | 26 | | | | | | | | 22 | 21 |
| | | | | | | 20 | 19 | 18 | 17 | 16 | | | | 13 | 12 | | | | | | 8 | | 6 | 5 | | | 3 | 2 | | | | |
| SALEABLE | NOT APPLICABLE | 34566-2683 | 0 | H | ST GRAY | 78 | | | | | | 72 | 71 | 70 | 69 | 68 | 67 | 66 | 65 | 64 | 63 | | | | | | | | 61 | | | |
| | | | | | | 60 | 59 | 58 | 57 | 56 | | | 53 | 52 | 51 | 50 | | 48 | 47 | | | | | 44 | 43 | | | | | 41 | | |
| | | | | | | 40 | | | 37 | | 35 | 34 | | | 32 | | | 30 | 29 | | 27 | 26 | | | | | | | | | 22 | 21 |
| | | | | | | 20 | 19 | 18 | 17 | 16 | | | | 13 | 12 | | | | | | 8 | 7 | 6 | 5 | | | 4 | 3 | 2 | 1 | | |
| SALEABLE | NOT APPLICABLE | 34566-2693 | 0 | B | ST GRAY | 71 | 70 | | 68 | | 66 | 65 | | | 60 | 59 | 58 | 57 | | 55 | 54 | 53 | | | | | | | 53 | | | |
| | | | | | | 51 | 50 | 49 | 48 | | 46 | 45 | | 43 | 42 | 41 | 40 | 39 | 38 | 37 | 36 | 35 | | | | | | | | 33 | | |
| | | | | | | 73 | | | | | 32 | 31 | 30 | | | | | | 24 | 23 | 22 | | 20 | | | | | | | | | |
| | | | | | | 73 | | | | | 16 | 15 | | | 13 | 12 | 11 | 10 | 9 | 8 | 7 | 6 | 5 | 4 | | | | | | | | |
| SALEABLE | NOT APPLICABLE | 34566-2713 | 0 | A | BLACK | 69 | 68 | | | | | 65 | 64 | 63 | | 61 | 60 | 59 | 58 | | | | | | | | | | | | | |
| | | | | | | 52 | | 50 | 49 | | 47 | | | | 41 | | | | 38 | 37 | 36 | | | | | | | 34 | 33 | | | |
| | | | | | | 73 | | | | | 32 | 31 | 30 | 29 | 28 | 27 | | 25 | 24 | 23 | | 20 | 19 | 18 | 17 | | | | | | | |
| | | | | | | 73 | | | | | 16 | | | | 13 | 12 | 11 | 10 | 9 | | | | | | | | | | | | | 1 |
| SALEABLE | NOT APPLICABLE | 34566-2723 | 0 | B | ST GRAY | 71 | 70 | | 68 | | 66 | 65 | 64 | 63 | | 60 | 59 | 58 | 57 | 56 | 55 | 54 | 53 | | | | | | | | | |
| | | | | | | 51 | 50 | 49 | 48 | | 46 | 45 | | 43 | 42 | 41 | 40 | 39 | 38 | 37 | 36 | 35 | | | | | | | 33 | | | |
| | | | | | | 73 | | | | | 32 | 31 | 30 | | | | | | 24 | 23 | 22 | | 20 | 19 | | | | | | | | |
| | | | | | | 73 | | | | | 16 | 15 | | | 13 | 12 | 11 | 10 | 9 | 8 | 7 | 6 | 5 | 4 | 3 | 2 | | | | | | |
| SALEABLE | NOT APPLICABLE | 34566-2733 | 0 | A | BLACK | 70 | | | 68 | 67 | 66 | 65 | | | 63 | 62 | | 59 | 58 | 57 | 56 | 55 | | | | | | | | | | |
| | | | | | | 52 | | 50 | 49 | | 47 | | | 44 | 43 | 42 | 41 | | 39 | 38 | 37 | | | | | | | | | | | |
| | | | | | | 73 | | | | | 32 | | 30 | | | 27 | | 25 | 24 | 23 | | 21 | 20 | 19 | 18 | 17 | | | | | | |
| | | | | | | 73 | | | | | 16 | 15 | | 13 | | | 10 | 9 | 8 | | 6 | 5 | | 3 | 2 | 1 | | | | | | |
| SALEABLE | NOT APPLICABLE | 34566-2743 | 0 | C | BLUE | 72 | | 70 | | 67 | 66 | | | 63 | 62 | | 59 | | 57 | | | | | | | | | | | | | |
| | | | | | | 52 | 51 | | | | 46 | | 44 | | 42 | | 40 | 39 | | | | | | | | | | 34 | 33 | | | |
| | | | | | | 73 | | | | | 32 | | 30 | | | | 26 | 25 | | | 22 | 21 | 20 | | | | | | | | | |
| | | | | | | 73 | | | | | | | | | 15 | 14 | | | 10 | 9 | | 6 | 5 | 4 | | | | | | | | |
| SALEABLE | NOT APPLICABLE | 34566-2753 | 0 | A | BLACK | 52 | 51 | | 49 | | | | 44 | 43 | 42 | 41 | | | | | | | | | | | | | | | | |
| | | | | | | 73 | | | | | 32 | | | 29 | 28 | 27 | 26 | | | | | | | | | | | 19 | 18 | | | |
| | | | | | | 73 | | | | | 16 | 15 | | 13 | 12 | 11 | 10 | | | | | | | | | 3 | | | | | | |
| | | | | | | 73 | | | | | 16 | 15 | 14 | 13 | | | | 10 | 9 | 8 | | | | | | | | | | | | |
| SALEABLE | NOT APPLICABLE | 34566-2763 | 0 | B | ST GRAY | 72 | 71 | 70 | | 68 | 67 | 66 | | | 62 | 61 | 60 | 59 | 58 | 57 | 56 | 55 | 54 | 53 | | | | | | | | |
| | | | | | | 52 | 51 | 50 | | 48 | 47 | 46 | | | 42 | 41 | 40 | 39 | 38 | 37 | 36 | 35 | 34 | 33 | | | | | | | | |
| | | | | | | 73 | | | | | 32 | 31 | 30 | 29 | 28 | 27 | 26 | 25 | 24 | | | | | | | | | | | | | |
| | | | | | | 73 | | | | | 16 | 15 | 14 | 13 | | | | 10 | 9 | 8 | | | | | | | | | | | | |
| SALEABLE | NOT APPLICABLE | 34566-2773 | 0 | H | ST GRAY | | | | | | | 53 | | | | | | | | | | | | | | 61 | | | | | | |
| | | | | | | | | | | | | | | | | | | | | | | | | | | | | | | | | |
| | | | | | | 20 | | | | | | | | | | | 9 | | | | | | 5 | | | | | | | 1 | | |
| SALEABLE | NOT APPLICABLE | 34566-2783 | 9 | H | ST GRAY | | | | | | | 53 | | | | | | | | | | | | | | 61 | | | | | | |
| | | | | | | | | | | | | | | | | | | | | | | | | | | | | | | | | |
| | | | | | | 20 | | | | | | | | | | | 9 | | | | | | 5 | | | | | | | 1 | | |
| SALEABLE | NOT APPLICABLE | 34566-2793 | 9 | A | BLACK | | | | | 67 | 66 | | | | | | | | | | | | | | | | | | | | | |
| | | | | | | | | | | 48 | 47 | | | | 41 | | | | | | | | | | | | | | | | | |
| | | | | | | 73 | | | | | 32 | 31 | 30 | 29 | | 27 | | 25 | | | 22 | 21 | | 19 | 18 | 17 | | | | | | |
| 73 | | | | | 16 | 15 | 14 | 13 | | | | 11 | 10 | 9 | 8 | 7 | 6 | 5 | 4 | 3 | 2 | 1 | | | | | | | | | | |

MX123 52/66/73/80-WAY RECEPTACLE ASSY SEALED PIN OUT SHEET

| STATUS | GM PART # | HRNS CONN ASSY | | | TPA | GROMMET CAP | | | | | | | | | | | | | | | | | | | | | |
|----------|----------------|----------------|-------------------|------------------|--------------------|---|----|----|----|----|----|----|----|----|----|----|----|----|----|----|----|----|----|----|----|----|----|
| | | MATERIAL/PART | WIRE DRESS OPTION | KEY OPTION Fp | COLOR OPTION Fp | NUMBERS INDICATE CAVITIES OPEN FOR CIRCUITS | | | | | | | | | | | | | | | | | | | | | |
| | | NUMBER | | | | Fp | | | | | | | | | | | | | | | | | | | | | |
| SALEABLE | NOT APPLICABLE | 34566-2813 | 9 | B | ST GRAY | 72 | 71 | 70 | 69 | 68 | 67 | 66 | 65 | 64 | | 62 | 61 | 60 | 59 | 58 | 57 | 56 | 55 | 54 | | | |
| | | | | | | 52 | 51 | 50 | 49 | 48 | | 46 | | 44 | | | | 40 | | | | 37 | 36 | | | | |
| | | | | | | 73 | | | | 32 | 31 | 30 | 29 | 28 | 27 | | 25 | 24 | | | | | 21 | 20 | | | 18 |
| SALEABLE | NOT APPLICABLE | 34566-2823 | 0 | A | BLACK | | | | | | 67 | 66 | | | | | | | | | | | | | | | |
| | | | | | | | | | | | | | | | | | 41 | | | | | | | | | | |
| | | | | | | 73 | | | | 32 | 31 | 30 | 29 | | 27 | | 25 | | | | 22 | 21 | | | 19 | 18 | 17 |
| SALEABLE | NOT APPLICABLE | 34566-2833 | 0 | B | ST GRAY | 72 | 71 | 70 | 69 | 68 | 67 | 66 | 65 | | | 61 | 60 | | | | 57 | 56 | 55 | 54 | | | |
| | | | | | | 52 | 51 | 50 | 49 | 48 | | 46 | | 44 | | | | 40 | | | | 37 | 36 | | | | |
| | | | | | | 73 | | | | 32 | 31 | 30 | 29 | 28 | 27 | | | 24 | | | | 21 | 20 | 19 | 18 | 17 | |
| SALEABLE | NOT APPLICABLE | 34566-2843 | 0 | A | BLACK | | | | | | 67 | 66 | | | | | | | | | | | | | | | |
| | | | | | | | | | | | | | | | | | 41 | | | | | | | | | | |
| | | | | | | 73 | | | | 32 | 31 | 30 | 29 | | 27 | | 25 | | | 22 | 21 | | | 19 | 18 | 17 | |
| SALEABLE | NOT APPLICABLE | 34566-2853 | 0 | B | ST GRAY | 72 | 71 | 70 | 69 | 68 | 67 | 66 | 65 | 64 | 63 | | 61 | 60 | | | | 57 | 56 | 55 | 54 | | |
| | | | | | | 52 | 51 | 50 | 49 | 48 | | 46 | | 44 | | | | 40 | | | | 37 | 36 | | | | |
| | | | | | | 73 | | | | 32 | 31 | 30 | 29 | 28 | 27 | | | 24 | | | | 21 | 20 | 19 | 18 | 17 | |
| SALEABLE | NOT APPLICABLE | 34566-2863 | 0 | A | BLACK | | | | | | 67 | 66 | | | | | | | | | | | | | | | |
| | | | | | | | | | | | | | | | | | 41 | | | | | | | | | | |
| | | | | | | 73 | | | | 32 | 31 | 30 | 29 | 28 | 27 | | | 24 | 23 | | | | 19 | 18 | 17 | | |
| SALEABLE | NOT APPLICABLE | 34566-2873 | 0 | B | ST GRAY | 72 | 71 | 70 | 69 | 68 | 67 | 66 | | | | | | | 59 | 58 | 57 | 56 | 55 | 54 | 53 | | |
| | | | | | | 52 | 51 | 50 | 49 | 48 | 47 | | | | | | | | | 39 | 38 | 37 | 36 | 35 | | 33 | |
| | | | | | | 73 | | | | | 15 | | | | | 11 | 10 | | 8 | | | 6 | 5 | 4 | 3 | | |
| SALEABLE | NOT APPLICABLE | 34566-2883 | 0 | A | BLACK | | | 70 | 69 | | | | | | 63 | 62 | 61 | | | 58 | 57 | 56 | 55 | 54 | 53 | | |
| | | | | | | 52 | 51 | | 49 | | | | 44 | 43 | 42 | 41 | | | | | | 37 | 36 | | | 34 | |
| | | | | | | 73 | | | | 32 | | | 29 | 28 | 27 | 26 | | | | | | | | | 19 | 18 | |
| SALEABLE | NOT APPLICABLE | 34566-2893 | 0 | A | BLACK | | | | 69 | | 67 | 66 | 65 | | 63 | | | 60 | | | 57 | 56 | | | 53 | | |
| | | | | | | | | | 49 | | 47 | 46 | | 44 | 43 | | | 40 | | | | 37 | 36 | 35 | | 33 | |
| | | | | | | 73 | | | | | 31 | 30 | 29 | 28 | | | | 24 | | | | 21 | 20 | | | | |
| SALEABLE | NOT APPLICABLE | 34566-2913 | 0 | B | ST GRAY | | | | | 68 | 67 | | | 64 | | | | | 58 | | | | | | | | |
| | | | | | | | | | | | | 46 | 45 | | | | | | | | | | | | | | |
| | | | | | | 73 | | | | 32 | | 30 | 29 | 28 | 27 | | | | | | | | | | | | |
| SALEABLE | NOT APPLICABLE | 34566-2923 | 0 | B | ST GRAY | | | | | | 67 | | | 64 | | | | | | | | | | | | | |
| | | | | | | | | | | | | 46 | 45 | | | | | | | | | | | | | | |
| | | | | | | 73 | | | | 32 | | 30 | 29 | 28 | 27 | | | | | | | | | | | | |
| SALEABLE | NOT APPLICABLE | 34566-2933 | 0 | A | BLACK | 72 | | | 69 | | 67 | | 65 | | 63 | | | 60 | | | 57 | 56 | | | 53 | | |
| | | | | | | | | | 49 | | 47 | | 44 | 43 | | | 40 | | | | | 37 | 36 | 35 | | 33 | |
| | | | | | | 73 | | | | | 31 | 30 | 29 | 28 | | | | 24 | | | | 21 | 20 | | | 17 | |
| SALEABLE | NOT APPLICABLE | 34566-2943 | 0 | B | ST GRAY | | | | | 68 | 67 | | | 64 | 63 | | | | 59 | | 57 | | | | | | |
| | | | | | | | | | | | | 46 | 45 | | 43 | | | | | | | | | | | | |
| | | | | | | 73 | | | | 32 | | 30 | 29 | 28 | 27 | | | | | | | 21 | | | | | |
| SALEABLE | NOT APPLICABLE | 34566-2953 | 0 | B | ST GRAY | | | | | 68 | 67 | | | 64 | 63 | | | | 59 | | | | | | | | |
| | | | | | | | | | | | | 46 | 45 | | 43 | | | | | | | | | | | | |
| | | | | | | 73 | | | | 32 | | 30 | 29 | 28 | 27 | | | | | | | | | | | 34 | |
| SALEABLE | NOT APPLICABLE | 34566-2963 | 0 | H | ST GRAY | | 79 | | | | | | 74 | 73 | 72 | 71 | | 69 | 68 | 67 | | | 64 | | 62 | 61 | |
| | | | | | | | 59 | | | | | | 54 | 53 | 52 | | | 49 | 48 | 47 | | | | | | 42 | 41 |
| | | | | | | | | 38 | | | | | | 33 | | | | | 29 | 28 | 27 | | | 25 | | | |

MX123 52/66/73/80-WAY RECEPTACLE ASSY SEALED PIN OUT SHEET

| STATUS | GM PART # | HRNS CONN ASSY | | | TPA | GROMMET CAP | | | | | | | | | | | | | | | | | | | | | | |
|----------|----------------|----------------|-------------------|------------------|--------------------|---|----|----|----|----|----|----|----|----|----|----|----|----|----|----|----|----|----|----|----|----|----|----|
| | | MATERIAL/PART | WIRE DRESS OPTION | KEY OPTION Fp | COLOR OPTION Fp | NUMBERS INDICATE CAVITIES OPEN FOR CIRCUITS | | | | | | | | | | | | | | | | | | | | | | |
| | | NUMBER | | | | Fp | | | | | | | | | | | | | | | | | | | | | | |
| SALEABLE | NOT APPLICABLE | 34566-2973 | 0 | G | BLUE | 80 | | 78 | 77 | | 75 | 74 | 73 | 72 | | 70 | 69 | | 67 | | 65 | 64 | 63 | 62 | | | | |
| | | | | | | 60 | | 58 | 57 | | 55 | 54 | | 52 | 51 | 50 | 49 | | 47 | | 45 | | | | | | | |
| | | | | | | 40 | | 38 | 37 | | | | 33 | 32 | 31 | | | | 27 | 26 | 25 | 24 | | | | | | |
| | | | | | | 20 | | 18 | 17 | | | | | | | | 10 | 9 | 8 | | 6 | 5 | | | 3 | 2 | 1 | |
| SALEABLE | NOT APPLICABLE | 34566-9913 | 0 | A | BLACK | 72 | 71 | | | 68 | 67 | 66 | 65 | 64 | | | | | 59 | | | | | | | | | |
| | | | | | | | | 50 | | 48 | 47 | 46 | 45 | | | | | 40 | 39 | 38 | | | | | | | | |
| | | | | | | 73 | | | | | 31 | 30 | | | | | | 25 | 24 | | 22 | 21 | 20 | | | | 17 | |
| | | | | | | | | | | | | 14 | | | | | | 9 | 7 | 6 | 5 | 4 | | | 2 | 1 | | |
| SALEABLE | NOT APPLICABLE | 34566-9923 | 0 | A | BLACK | 72 | 71 | | | | 67 | 66 | | | | 62 | 61 | 60 | | | 57 | | | 55 | 54 | | | |
| | | | | | | | 51 | | | 48 | | 46 | 45 | 44 | 43 | 42 | | | 39 | | | | | | 35 | | 33 | |
| | | | | | | 73 | | | | | | | | | | | | 26 | 25 | 24 | | | | | | | | |
| | | | | | | | | | | | | 15 | 14 | | | | | | | 8 | 7 | 6 | 5 | 4 | 3 | 2 | | |
| SALEABLE | NOT APPLICABLE | 34566-9933 | 0 | B | ST GRAY | | | | 69 | | | | 65 | 64 | 63 | | | | | | | | | | | | | |
| | | | | | | | | | 49 | | | | 45 | 44 | 43 | | | | | | | | | | | | | |
| | | | | | | 73 | | | | | | | | | | | | | | | 22 | 21 | 20 | 19 | 18 | 17 | | |
| | | | | | | | | | | | | | | | | 12 | 11 | | | | 6 | 5 | 4 | 3 | 2 | 1 | | |
| SALEABLE | NOT APPLICABLE | 34566-9943 | 0 | C | BLUE | | 71 | | 69 | | | | 65 | 64 | | | 61 | 60 | | | 58 | | 56 | 55 | 54 | | | |
| | | | | | | | | 50 | 49 | | | | 45 | | 43 | | | 41 | | | | 37 | 36 | 35 | | | | |
| | | | | | | 73 | | | | | 31 | | 29 | 28 | | | | | 24 | 23 | | | | | 19 | 18 | 17 | |
| | | | | | | | | | | | | | | 13 | 12 | 11 | | | | 8 | 7 | | | | | 3 | 2 | 1 |
| SALEABLE | NOT APPLICABLE | 34566-9953 | 0 | A | BLACK | | | | | 67 | | | | | | 62 | | | | | 57 | | | | 55 | | | |
| | | | | | | | 51 | | | 48 | | 46 | 45 | 44 | 43 | | | | 39 | | | | | | | 35 | | |
| | | | | | | 73 | | | | | | | | | | | | | 25 | | | | | | | | | |
| | | | | | | | | | | | | 15 | 14 | | | | | | | | 7 | 6 | 5 | 4 | 3 | 2 | | |
| SALEABLE | NOT APPLICABLE | 34566-9963 | 0 | B | ST GRAY | | | | | 68 | 67 | | | 64 | 63 | | | | | 58 | | | | 55 | | | | |
| | | | | | | | | | | | | 46 | 45 | | 43 | | | | | 38 | | | | | 35 | | | |
| | | | | | | 73 | | | | | 32 | | 30 | 29 | 28 | 27 | | | | 22 | | | | | 19 | | 17 | |
| | | | | | | | | | | | | 15 | | 13 | | | | 10 | | | | | | | | | | 1 |
| SALEABLE | NOT APPLICABLE | 34566-9973 | 0 | B | ST GRAY | | | | | 68 | 67 | | | 64 | 63 | | | | | 58 | | | | | | | | |
| | | | | | | | | | | | | 46 | 45 | | 43 | | | | | 38 | | | | | | | | |
| | | | | | | 73 | | | | | 32 | | 30 | 29 | 28 | 27 | | | | 22 | | | | | | | 17 | |
| | | | | | | | | | | | | 15 | | 13 | | | | 10 | | | | | | | | | | |
| SALEABLE | NOT APPLICABLE | 34566-2983 | 9 | A | BLACK | | | 70 | 69 | | | | | | 63 | 62 | 61 | | | 58 | 57 | 56 | 55 | 54 | 53 | | | |
| | | | | | | 52 | 51 | | 49 | | | | | 44 | 43 | 42 | 41 | | | | | 37 | 36 | | | 34 | | |
| | | | | | | 73 | | | | | 32 | | | 29 | 28 | 27 | 26 | | | | | | | | 19 | 18 | 17 | |
| | | | | | | | | | | | 16 | 15 | | 13 | 12 | 11 | 10 | | | | | | | | 3 | 2 | 1 | |
| SALEABLE | NOT APPLICABLE | 34566-2993 | 9 | B | ST GRAY | 72 | 71 | 70 | | 68 | 67 | 66 | | | | 62 | 61 | 60 | 59 | 58 | 57 | 56 | 55 | 54 | 53 | | | |
| | | | | | | 52 | 51 | 50 | | 48 | 47 | 46 | | | | 42 | 41 | 40 | 39 | 38 | 37 | 36 | 35 | 34 | 33 | | | |
| | | | | | | 73 | | | | | 32 | 31 | 30 | 29 | 28 | 27 | 26 | 25 | 24 | | | | | | | | | |
| | | | | | | | | | | | 16 | 15 | 14 | 13 | | | | 10 | 9 | 8 | | | | | | | | |
| SALEABLE | NOT APPLICABLE | 34566-3013 | 9 | C | BLUE | 72 | 71 | 70 | 69 | 68 | 67 | 66 | | | 63 | 62 | | | 59 | | 57 | 56 | 55 | | 53 | | | |
| | | | | | | 52 | 51 | | | | | 46 | | 44 | | | 42 | | 40 | 39 | 38 | | | | | 34 | 33 | |
| | | | | | | 73 | | | | | 32 | | 30 | | | | 26 | 25 | | | 22 | 21 | | | 19 | 18 | | |
| | | | | | | | | | | | | 15 | 14 | | | | 10 | 9 | | | 6 | 5 | 4 | 3 | | | | |
| SALEABLE | NOT APPLICABLE | 34566-3023 | 0 | G | BLUE | | 79 | | | 76 | | | | | 71 | | | 68 | | 66 | | | | 61 | | | | |
| | | | | | | | 59 | | | 56 | | | | 53 | | | | | 30 | 29 | 28 | | | 44 | 43 | 42 | 41 | |
| | | | | | | | 39 | | | 36 | 35 | 34 | | | | | | | | | | | | | 23 | 22 | 21 | |
| | | | | | | | 19 | | | 16 | 15 | 14 | 13 | 12 | 11 | | | | | | 7 | | | | 4 | | | |
| SALEABLE | NOT APPLICABLE | 34566-3033 | 0 | H | ST GRAY | 80 | | 78 | 77 | 76 | 75 | | | | | 70 | | | | 66 | 65 | | 63 | | | | | |
| | | | | | | 60 | | 58 | 57 | 56 | 55 | | | | | 51 | 50 | | | | 46 | 45 | 44 | 43 | | | | |
| | | | | | | 40 | 39 | | 37 | 36 | 35 | 34 | | | 32 | 31 | 30 | | | 28 | | | 26 | | 24 | 23 | 22 | |
| | | | | | | 20 | 19 | 18 | 17 | 16 | | | | | 13 | 12 | | | | | | | 6 | 5 | 4 | 3 | 2 | 1 |
| SALEABLE | NOT APPLICABLE | 34566-3043 | 0 | C | BLUE | 72 | 71 | 70 | | 68 | | 66 | | | 63 | 62 | | | 59 | | 57 | | | | 53 | | | |
| | | | | | | 52 | 51 | | | 48 | 47 | 46 | | 44 | | | 42 | | 40 | 39 | | | | | | | 34 | 33 |
| | | | | | | 73 | | | | | 32 | | 30 | | | | 27 | 26 | 25 | | | 22 | 21 | 20 | | | | |
| | | | | | | | | | | | | 15 | 14 | 13 | | | | 10 | 9 | | | 6 | 5 | 4 | | | | |
| SALEABLE | NOT APPLICABLE | 34566-3053 | 0 | C | BLUE | 72 | | 70 | | 68 | | 66 | | | 63 | 62 | | | 59 | | 57 | | | | 53 | | | |
| | | | | | | 52 | 51 | | | 48 | 47 | 46 | | 44 | | | 42 | | 40 | 39 | 38 | | | | | | 34 | 33 |
| | | | | | | 73 | | | | | 32 | | 30 | | | | 27 | 26 | 25 | | | 22 | 21 | 20 | | | | |
| | | | | | | | | | | | | 15 | 14 | 13 | | | | 10 | 9 | | | 6 | 5 | 4 | | | | |

MX123 52/66/73/80-WAY RECEPTACLE ASSY SEALED PIN OUT SHEET

| STATUS | GM PART # | HRNS CONN ASSY | | | TPA | GROMMET CAP | | | | | | | | | | | | | | | | | | | | | | |
|----------|----------------|----------------|-------------------|------------------|--------------------|---|----|----|----|----|----|----|----|----|----|----|----|----|----|----|----|----|----|----|----|----|----|----|
| | | MATERIAL/PART | WIRE DRESS OPTION | KEY OPTION Fp | COLOR OPTION Fp | NUMBERS INDICATE CAVITIES OPEN FOR CIRCUITS | | | | | | | | | | | | | | | | | | | | | | |
| | | NUMBER | | | | Fp | | | | | | | | | | | | | | | | | | | | | | |
| SALEABLE | NOT APPLICABLE | 34566-3063 | 0 | A | BLACK | 52 | 71 | | 69 | | | | 65 | 64 | 63 | | | 60 | | 58 | 57 | 56 | 55 | 54 | 53 | | | |
| | | | | | | | 51 | | 49 | | | | 45 | 44 | 43 | 42 | 41 | | | | | | 37 | 36 | 35 | 34 | 33 | |
| | | | | | | 73 | | | 32 | | 30 | | | 28 | | 26 | | | | | | | | | | 19 | 18 | |
| SALEABLE | NOT APPLICABLE | 34566-3073 | 0 | A | BLACK | 52 | 71 | | 69 | | | | 65 | 64 | 63 | | | 60 | | | 57 | 56 | 55 | 54 | 53 | | | |
| | | | | | | | 51 | | 49 | | | | 45 | 44 | 43 | 42 | 41 | | | | | | 37 | 36 | 35 | 34 | 33 | |
| | | | | | | 73 | | | 32 | | 30 | | | 28 | | 26 | | | 23 | | | | | | | 19 | 18 | |
| SALEABLE | NOT APPLICABLE | 34566-3083 | 0 | A | BLACK | 52 | 71 | | 69 | | | | 65 | 64 | 63 | | | 60 | | 58 | 57 | 56 | 55 | 54 | 53 | | | |
| | | | | | | | 51 | | 49 | | | | 45 | 44 | 43 | 42 | 41 | | | | | | 37 | 36 | 35 | 34 | 33 | |
| | | | | | | 73 | | | 32 | | 30 | | | 28 | | 26 | | | | | | | | | | 19 | 18 | |
| SALEABLE | NOT APPLICABLE | 34566-3093 | 0 | A | BLACK | 52 | 71 | | 69 | | | | 65 | 64 | 63 | | | 60 | | | 57 | 56 | 55 | 54 | 53 | | | |
| | | | | | | | 51 | | 49 | | | | 45 | 44 | 43 | 42 | 41 | | | | | | 37 | 36 | 35 | 34 | 33 | |
| | | | | | | 73 | | | 32 | | 30 | | | 28 | | 26 | | | 23 | | | | | | | 19 | 18 | |
| SALEABLE | NOT APPLICABLE | 34566-3113 | 0 | A | BLACK | 52 | 71 | | 69 | | | | 65 | 64 | 63 | | | 60 | | | 57 | 56 | 55 | 54 | 53 | | | |
| | | | | | | | 51 | | 49 | | | | 45 | 44 | 43 | 42 | 41 | | | | | | 37 | 36 | 35 | 34 | 33 | |
| | | | | | | 73 | | | 32 | | 30 | | | 28 | | 26 | | | 23 | | | 21 | | | | 19 | 18 | |
| SALEABLE | NOT APPLICABLE | 34566-3123 | 0 | B | ST GRV | 72 | | 70 | | | | 66 | | | | | 60 | 59 | | | | | 55 | 54 | 53 | | | |
| | | | | | | 52 | | 50 | | | | 48 | 46 | | | | | 40 | 39 | | | | | | 35 | 34 | 33 | |
| | | | | | | 73 | | | 32 | 31 | 30 | 29 | 28 | 27 | 26 | 25 | 24 | | | | | | | | | | | |
| SALEABLE | NOT APPLICABLE | 34566-3133 | 0 | C | BLUE | 72 | | 70 | | 68 | 67 | 66 | | | 63 | 62 | | | 59 | | 57 | | | | 53 | | | |
| | | | | | | 52 | 51 | | | 48 | 47 | 46 | | 44 | | 42 | | 40 | 39 | | | | | | | 34 | 33 | |
| | | | | | | 73 | | | 32 | | 30 | | | | 26 | 25 | | | 22 | 21 | 20 | | | | | | | |
| SALEABLE | NOT APPLICABLE | 34566-3143 | 0 | C | BLUE | 72 | | 70 | | | | 66 | | | 63 | 62 | | | 59 | | 57 | | | | 53 | | | |
| | | | | | | 52 | 51 | | | | | 46 | | 44 | | 42 | | 40 | 39 | | | | | | | 34 | 33 | |
| | | | | | | 73 | | | 32 | | 30 | | | | 26 | 25 | | | 22 | 21 | | | | | | | | |
| SALEABLE | NOT APPLICABLE | 34566-3153 | 0 | A | BLACK | 52 | 71 | | 69 | | | | | | 63 | | | | 58 | | | 56 | | 54 | | | | |
| | | | | | | | 51 | | 49 | | | | 47 | | | 44 | 43 | 42 | 41 | | | | | 36 | | 34 | | |
| | | | | | | 73 | | | 32 | | | | | 28 | | 26 | | | | | | | | | | 19 | 18 | |
| SALEABLE | NOT APPLICABLE | 34566-3163 | 0 | C | BLUE | 72 | | 70 | | | | | | | 63 | 62 | | | 59 | | 57 | 56 | 55 | | 53 | | | |
| | | | | | | 52 | 51 | | | | | 46 | | 44 | | 42 | | 40 | 39 | | | | | | 37 | 36 | 34 | 33 |
| | | | | | | 73 | | | 32 | | 30 | | | | 26 | 25 | | | 22 | 21 | | | | | | 19 | 18 | |
| SALEABLE | NOT APPLICABLE | 34566-3173 | 0 | A | BLACK | 52 | 71 | | 69 | | | | | | 63 | | | | 58 | | | 56 | | 54 | | | | |
| | | | | | | | 51 | | 49 | | | | 47 | | | 44 | 43 | 42 | 41 | | | | | | 36 | | 34 | |
| | | | | | | 73 | | | 32 | | | | | 28 | | 26 | | | | | | | | | | 19 | 18 | 17 |
| SALEABLE | NOT APPLICABLE | 34566-3183 | 0 | C | BLUE | 72 | | 70 | | | | 66 | | | 63 | 62 | | | 59 | | 57 | 56 | 55 | | 53 | | | |
| | | | | | | 52 | 51 | | | | | 46 | | 44 | | 42 | | 40 | 39 | | | | | | | 34 | 33 | |
| | | | | | | 73 | | | 32 | | 30 | | | | 26 | 25 | | | 22 | 21 | | | | | | | | |
| SALEABLE | NOT APPLICABLE | 34566-3193 | 0 | A | BLACK | 52 | 71 | | 69 | | | | | | 63 | | | | 58 | | | 56 | 55 | 54 | 53 | | | |
| | | | | | | | 51 | | 49 | | | | 47 | | | 44 | 43 | 42 | 41 | | | | | | 36 | 35 | 34 | 33 |
| | | | | | | 73 | | | 32 | | | | | 28 | | 26 | | | | | | | | | | 19 | 18 | 17 |
| SALEABLE | NOT APPLICABLE | 34566-3213 | 0 | C | BLUE | 72 | | 70 | | | | 67 | 66 | | | 63 | 62 | | | 59 | | 57 | | | 53 | | | |
| | | | | | | 52 | 51 | | | | | 46 | | 44 | | 42 | | 40 | 39 | | | | | | | 34 | 33 | |
| | | | | | | 73 | | | 32 | | 30 | | | | 26 | 25 | | | 22 | 21 | | | | | | | | |
| SALEABLE | NOT APPLICABLE | 34566-3223 | 0 | C | BLUE | 72 | | 70 | | | | 67 | 66 | | | 63 | 62 | | | 59 | | 57 | | | 53 | | | |
| | | | | | | 52 | 51 | | | | | 46 | | 44 | | 42 | | 40 | 39 | | | | | | | 34 | 33 | |
| | | | | | | 73 | | | 32 | | 30 | | | | 27 | 26 | 25 | | 22 | 21 | | | | | | | | |

MX123 52/66/73/80-WAY RECEPTACLE ASSY SEALED PIN OUT SHEET

| STATUS | GM PART # | HRNS CONN ASSY | | | TPA | GROMMET CAP | | | | | | | | | | | | | | | | | | | | | | | | | |
|----------|----------------|----------------|-------------------|------------------|--------------------|---|----|----|----|----|----|----|----|----|----|----|----|----|----|----|----|----|----|----|----|----|----|----|----|----|----|
| | | MATERIAL/PART | WIRE DRESS OPTION | KEY OPTION Fp | COLOR OPTION Fp | NUMBERS INDICATE CAVITIES OPEN FOR CIRCUITS | | | | | | | | | | | | | | | | | | | | | | | | | |
| | | NUMBER | | | | Fp | | | | | | | | | | | | | | | | | | | | | | | | | |
| SALEABLE | NOT APPLICABLE | 34566-3233 | 0 | A | BLACK | 70 | 69 | | | | | | | | | 63 | 62 | 61 | | | | | 58 | 57 | 56 | 55 | 54 | 53 | | | |
| | | | | | | 52 | 51 | | 49 | | | | | 44 | 43 | 42 | 41 | | | | | | | | | | | 36 | | 19 | 18 |
| | | | | | | 73 | | | | 32 | | | | 29 | 28 | 27 | 26 | | | | | | | | | | | | | | 3 |
| SALEABLE | NOT APPLICABLE | 34566-3243 | 0 | C | BLUE | 72 | | 70 | | | | | | | 66 | | | 63 | 62 | | | | 59 | | 57 | | | 53 | | | |
| | | | | | | 52 | 51 | | | | | | 46 | | 44 | | 42 | | | 40 | 39 | | | | | | | | 34 | 33 | |
| | | | | | | 73 | | | | 32 | | 30 | | | | 26 | 25 | | | 22 | 21 | | | | | | | | | | |
| SALEABLE | NOT APPLICABLE | 34566-3253 | 0 | A | BLACK | 70 | 69 | | | | | | | | | 63 | | | | | | | 58 | | 56 | 55 | 54 | 53 | | | |
| | | | | | | 52 | 51 | | 49 | | | | | 44 | 43 | 42 | 41 | | | | | | | | | | | 36 | | 34 | |
| | | | | | | 73 | | | | 32 | | | | 28 | | 26 | | | | | | | | | | | | | | 19 | 18 |
| SALEABLE | NOT APPLICABLE | 34566-3263 | 0 | C | BLUE | 72 | | 70 | | | | | | | 66 | | | 63 | 62 | | | | 59 | | 57 | 56 | 55 | 54 | 53 | | |
| | | | | | | 52 | 51 | | | | | | 46 | | 44 | | 42 | | | 40 | 39 | | | | | | | | | 34 | 33 |
| | | | | | | 73 | | | | 32 | | 30 | | | | 26 | 25 | | | 22 | 21 | | | | | | | | | 19 | 18 |
| SALEABLE | NOT APPLICABLE | 34566-3273 | 0 | A | BLACK | 70 | 69 | | | | | | | | | 63 | | | | | | | 58 | | 56 | 55 | 54 | 53 | | | |
| | | | | | | 52 | 51 | | 49 | | | | | 44 | 43 | 42 | 41 | | | | | | | | | | | 36 | | 34 | |
| | | | | | | 73 | | | | 32 | | | | 28 | | 26 | | | | | | | | | | | | | | 19 | 18 |
| SALEABLE | NOT APPLICABLE | 34566-3283 | 0 | C | BLUE | 72 | | 70 | | | | | | | 66 | | | 63 | 62 | | | | 59 | | 57 | 56 | 55 | 54 | 53 | | |
| | | | | | | 52 | 51 | | | | | | 46 | | 44 | | 42 | | | 40 | 39 | | | | | | | | | 34 | 33 |
| | | | | | | 73 | | | | 32 | | 30 | | | | 26 | 25 | | | 22 | 21 | | | | | | | | | 19 | 18 |
| SALEABLE | NOT APPLICABLE | 34566-3293 | 0 | B | ST GRAY | 72 | 71 | 70 | | 68 | 67 | 66 | | | | | 62 | 61 | 60 | 59 | 58 | 57 | 56 | 55 | 54 | 53 | | | | | |
| | | | | | | 52 | 51 | 50 | | 48 | 47 | | | | | 42 | 41 | 40 | 39 | 38 | 37 | 36 | 35 | 34 | 33 | | | | | | |
| | | | | | | 73 | | | | 32 | 31 | 30 | 29 | 28 | 27 | 26 | 25 | 24 | 23 | | | | | | | | | | | | |
| SALEABLE | NOT APPLICABLE | 34566-3313 | 0 | C | BLUE | 72 | | 70 | | | | | | | | 63 | 62 | | | | | 59 | | 57 | | | | 53 | | | |
| | | | | | | 52 | 51 | | | | | | 46 | | 44 | | 42 | | | 40 | 39 | | | | | | | | 34 | 33 | |
| | | | | | | 73 | | | | 32 | | 30 | | | | 26 | 25 | | | 22 | 21 | | | | | | | | | | |
| SALEABLE | NOT APPLICABLE | 34566-3323 | 0 | B | ST GRAY | | | | 49 | 68 | 67 | 66 | 65 | 64 | 63 | | | | | | | | 58 | | | 55 | | | | | |
| | | | | | | | | | | 48 | | 46 | 45 | 44 | 43 | | | | | | | | | 38 | | | | | | | |
| | | | | | | 73 | | | | 32 | | 30 | 29 | 28 | 27 | | | | | | | | | | 22 | | | | | | 17 |
| SALEABLE | NOT APPLICABLE | 34566-3333 | 0 | A | BLACK | 72 | 71 | 70 | 69 | 68 | | | | 65 | 64 | 63 | | 61 | | 59 | 58 | 57 | 56 | | | 54 | | | | | |
| | | | | | | 52 | 51 | 50 | 49 | | 47 | | | | | 42 | 41 | | | 38 | 37 | 36 | | | 34 | 33 | | | | | |
| | | | | | | 73 | | | | 32 | 31 | 30 | 29 | 28 | 27 | 26 | | 24 | 23 | | | | | | 20 | 19 | 18 | 17 | | | |
| SALEABLE | NOT APPLICABLE | 34566-3343 | 0 | A | BLACK | 72 | | | 69 | 68 | 67 | 66 | 65 | 64 | 63 | | | | | | | | 57 | 56 | | | 54 | | | | |
| | | | | | | | | | 49 | | 47 | | | 44 | 43 | 42 | | 40 | | | | | | 37 | 36 | 35 | | 34 | 33 | | |
| | | | | | | 73 | | | | 32 | | 30 | 29 | 28 | | 26 | | 24 | | | | | | | 21 | 20 | | | 17 | | |
| SALEABLE | NOT APPLICABLE | 34566-3353 | 0 | B | ST GRAY | | | | | 68 | 67 | | | 64 | | | | | | | 59 | 58 | | | | 54 | | | | | |
| | | | | | | | | | | | | 46 | 45 | | | | | | | | | | | 39 | 38 | | | | | | |
| | | | | | | 73 | | | | 32 | | 30 | 29 | 28 | 27 | | | | | 23 | 22 | | | | | | | | | 17 | |
| SALEABLE | NOT APPLICABLE | 34566-3363 | 0 | A | BLACK | | 71 | | 69 | 68 | | | | 65 | 64 | 63 | | 61 | | 59 | | 57 | 56 | | | 54 | | | | | |
| | | | | | | 52 | | 50 | 49 | | 47 | | | | | 42 | 41 | 40 | 39 | 38 | 37 | 36 | | | 34 | 33 | | | | | |
| | | | | | | 73 | | | | 32 | 31 | 30 | 29 | 28 | 27 | 26 | | 24 | 23 | 22 | | | | | 20 | 19 | 18 | | | | |
| SALEABLE | NOT APPLICABLE | 34566-3373 | 9 | C | BLUE | 72 | | 70 | | 68 | 67 | 66 | | | | 63 | 62 | | | | 59 | | 57 | 56 | 55 | 54 | 53 | | | | |
| | | | | | | 52 | 51 | | | 48 | 47 | 46 | | 44 | | 42 | | | 40 | 39 | 38 | | | | | | | | 34 | 33 | |
| | | | | | | 73 | | | | 32 | | 30 | | | | 26 | 25 | | | 22 | 21 | | | | | | | | 19 | 18 | |
| SALEABLE | NOT APPLICABLE | 34566-3383 | 0 | A | BLACK | | | 70 | 69 | 68 | | | | 65 | 64 | 63 | | 61 | | 59 | 58 | 57 | 56 | | | 54 | | | | | |
| | | | | | | 52 | | 50 | 49 | 48 | 47 | | | | | 42 | 41 | | | 38 | 37 | 36 | | | 34 | 33 | | | | | |
| | | | | | | 73 | | | | 32 | 31 | 30 | 29 | 28 | 27 | 26 | | 24 | 23 | | | | | | 20 | 19 | 18 | | | | |

MX123 52/66/73/80-WAY RECEPTACLE ASSY SEALED PIN OUT SHEET

| STATUS | GM PART # | HRNS CONN ASSY | | | TPA | GROMMET CAP | | | | | | | | | | | | | | | | | | | | | | | | |
|----------|----------------|----------------|-------------------|------------------|--------------------|---|----|----|----|----|----|----|----|----|----|----|----|----|----|----|----|----|----|----|----|----|----|----|----|----|
| | | MATERIAL/PART | WIRE DRESS OPTION | KEY OPTION Fp | COLOR OPTION Fp | NUMBERS INDICATE CAVITIES OPEN FOR CIRCUITS | | | | | | | | | | | | | | | | | | | | | | | | |
| | | NUMBER | | | | Fp | | | | | | | | | | | | | | | | | | | | | | | | |
| SALEABLE | NOT APPLICABLE | 34566-3393 | 0 | C | BLUE | 72 | | 70 | | 68 | 67 | 66 | | | 63 | 62 | | | 59 | | 57 | | | | 53 | | | | | |
| | | | | | | 52 | 51 | | | 48 | 47 | 46 | | 44 | | | 42 | | 40 | 39 | | | | | | | 34 | 33 | | |
| | | | | | | 73 | | | | | 32 | | 30 | | | | 26 | 25 | | | 22 | 21 | | | | | | | | |
| SALEABLE | NOT APPLICABLE | 34566-3413 | 0 | A | BLACK | 72 | | 70 | | | 67 | 66 | 65 | | | | 61 | | | 58 | 57 | | | 55 | 54 | | | | | |
| | | | | | | | | 50 | 49 | | 47 | | 45 | 44 | 43 | 42 | 41 | | 39 | | 37 | | 35 | | | | | | | |
| | | | | | | 73 | | | | | 32 | | 30 | | | | 27 | 26 | 25 | 24 | | | 21 | 20 | 19 | 18 | 17 | | | |
| SALEABLE | NOT APPLICABLE | 34566-3423 | 9 | C | BLUE | | | | 69 | | | | | | 63 | | | | | 58 | | | 56 | 55 | 54 | 53 | | | | |
| | | | | | | 52 | 51 | | 49 | | | | 44 | 43 | 42 | 41 | | | | | | | | | 36 | 35 | 34 | 33 | | |
| | | | | | | 73 | | | | | 32 | | | | 28 | | 26 | | | | | | | | | | 19 | 18 | 17 | |
| SALEABLE | NOT APPLICABLE | 34566-3433 | 9 | C | BLUE | | | | | | | | | 66 | | 63 | 62 | | | 59 | | 57 | 56 | 55 | 54 | 53 | | | | |
| | | | | | | 52 | 51 | | | | | 46 | | 44 | | 42 | | 40 | 39 | | | | | | | | 34 | 33 | | |
| | | | | | | 73 | | | | | | | 30 | | | | 26 | 25 | | | 22 | 21 | | | | | | | | |
| SALEABLE | NOT APPLICABLE | 34566-3443 | 0 | A | BLACK | | 71 | | 69 | | | | 65 | 64 | 63 | | | | 60 | | | | 57 | 56 | 55 | 54 | 53 | | | |
| | | | | | | 52 | 51 | | 49 | | | | 45 | 44 | 43 | 42 | 41 | | | | | | | | 37 | 36 | 35 | 34 | 33 | |
| | | | | | | 73 | | | | | 32 | | 30 | | 28 | | 26 | | | 23 | | | | | | | | 19 | 18 | |
| SALEABLE | NOT APPLICABLE | 34566-3453 | 0 | A | BLACK | | | | | | | | | | | | 61 | | | | | | | | | | | | | |
| | | | | | | 73 | | | | | | | | | | | | | | | | | | | | | 20 | | | |
| | | | | | | | | | | | | | | | | | | 9 | | | | | 5 | | | | | | 1 | 61 |
| SALEABLE | NOT APPLICABLE | 34566-3463 | 9 | H | ST GRV | 20 | | | | | | | | | | | | 9 | | | | | | | 1 | | | | | |
| | | | | | | | | | | | | | | | | | | | | | | | | | | | | | | |
| | | | | | | | | | | | | | | | | | | | | | | | | | | | | | | |
| SALEABLE | NOT APPLICABLE | 34566-3473 | 9 | B | ST GRV | 72 | 71 | 70 | 69 | 68 | 67 | 66 | 65 | 64 | | 62 | 61 | 60 | 59 | 58 | 57 | 56 | 55 | 54 | | | | | | |
| | | | | | | 52 | 51 | 50 | 49 | | | 46 | | 44 | | | | 40 | | 38 | 37 | 36 | | | | | | | | |
| | | | | | | 73 | | | | | 32 | 31 | 30 | 29 | 28 | 27 | | 25 | 24 | | | 21 | 20 | | | | | 18 | 17 | |
| SALEABLE | NOT APPLICABLE | 34566-3483 | 0 | B | ST GRV | | | | | | | | | | | | | | | | | | | | | | | | | |
| | | | | | | 72 | 71 | 70 | 69 | 68 | 67 | 66 | 65 | | | | 61 | 60 | | | 57 | 56 | 55 | 54 | | | | | | |
| | | | | | | 52 | 51 | 50 | 49 | 48 | 47 | 46 | | 44 | | | | 40 | | 38 | 37 | 36 | | | | | | | | |
| SALEABLE | NOT APPLICABLE | 34566-3493 | 0 | A | BLACK | | | | | | | | | | | | | | | | | | | | | | | | | |
| | | | | | | 72 | | 70 | | | 67 | 66 | 65 | | | | 61 | | | 58 | 57 | | | 55 | 54 | | | | | |
| | | | | | | | | | 49 | | 47 | | 45 | 44 | 43 | 42 | 41 | | 39 | | 37 | | 35 | | | | | | | |
| SALEABLE | NOT APPLICABLE | 34566-3513 | 0 | A | BLACK | | | | 70 | 69 | | | | | 63 | 62 | 61 | 60 | | | | | | | | | | | | |
| | | | | | | 52 | 51 | | 49 | | | | | 44 | 43 | 42 | 41 | | | | | | | | | | | | | |
| | | | | | | 73 | | | | | 32 | | | 29 | 28 | 27 | 26 | | | | | | | | | | | 19 | 18 | |
| SALEABLE | NOT APPLICABLE | 34566-3523 | 0 | A | BLACK | | | | 70 | | | 66 | | | 63 | 62 | | | | | | | | | 54 | | | | | |
| | | | | | | 52 | | | 49 | | | | | 44 | 43 | 42 | | | | | | | | | | | 36 | 35 | 34 | |
| | | | | | | 73 | | | | | | | 31 | | 28 | | 26 | | | | | | | | | | 21 | 20 | 19 | 18 |
| SALEABLE | NOT APPLICABLE | 34566-3533 | 9 | A | BLACK | | | | | | | | | | | | | | | | | | | | | | | | | |
| | | | | | | | | | 69 | | | | | 63 | | | | | 58 | | | | | | | | 56 | 55 | 54 | 53 |
| | | | | | | 52 | 51 | | 49 | | | | | 44 | 43 | 42 | 41 | | | | | | | | | | | 36 | 35 | 34 |
| SALEABLE | NOT APPLICABLE | 34566-3543 | 9 | A | BLACK | | | | | | | | | | | | | | | | | | | | | | | | | |
| | | | | | | 73 | | | | | 32 | | | | 28 | | 26 | | | | | | | | | | | 19 | 18 | 17 |
| | | | | | | | | | 69 | | | | | | 63 | 62 | 61 | | | 59 | | 57 | 56 | 55 | 54 | 53 | | | | |
| SALEABLE | NOT APPLICABLE | 34566-3553 | 9 | C | BLUE | | 71 | 70 | 69 | 68 | 67 | 66 | 65 | | 63 | 62 | 61 | | 59 | 58 | 57 | 56 | 55 | 54 | 53 | | | | | |
| | | | | | | | 51 | 50 | 49 | 48 | | 46 | 45 | 44 | 43 | 42 | 41 | 40 | 39 | 38 | | 36 | 35 | 34 | 33 | | | | | |
| | | | | | | 73 | | | | | | | 31 | 30 | 29 | 28 | 27 | 26 | 25 | | | 22 | | 20 | 19 | 18 | 17 | | | |



MX123 52/66/73/80-WAY RECEPTACLE ASSY SEALED PIN OUT SHEET

| STATUS | GM PART # | HRNS CONN ASSY | | | TPA | GROMMET CAP | | | | | | | | | | | | | | | | | | | | | | |
|----------|----------------|----------------|-------------------|---------------|--------|-----------------|---|----|----|----|----|----|----|----|----|----|----|----|----|----|----|----|----|----|----|----|----|----|
| | | MATERIAL/PART | WIRE DRESS OPTION | KEY OPTION Fp | | COLOR OPTION Fp | NUMBERS INDICATE CAVITIES OPEN FOR CIRCUITS | | | | | | | | | | | | | | | | | | | | | |
| | | NUMBER | | | | | | | | | | | | | | | | | | | | | | | | | | |
| SALEABLE | NOT APPLICABLE | 34566-3563 | 9 | C | BLUE | 72 | | 70 | | 68 | 67 | 66 | | | 63 | 62 | | | 59 | | 57 | | | | 53 | | | |
| | | | | | | 52 | 51 | | | 48 | 47 | 46 | | | 44 | | 42 | | 40 | 39 | 38 | | | | | 34 | 33 | |
| | | | | | | 73 | | | 32 | | 30 | | | | 27 | 26 | 25 | | | 22 | 21 | | | | | | | |
| SALEABLE | NOT APPLICABLE | 34566-3573 | 9 | C | BLUE | | | 70 | 69 | 68 | | | | | 63 | 62 | 61 | | | 58 | 57 | 56 | 55 | 54 | 53 | | | |
| | | | | | | 52 | 51 | 50 | 49 | 48 | 47 | | | 44 | 43 | 42 | 41 | | | | 37 | 36 | | | 34 | | | |
| | | | | | | 73 | | | 32 | | | | 29 | 28 | 27 | 26 | | | | | | | | | | 19 | 18 | |
| SALEABLE | NOT APPLICABLE | 34566-3583 | 9 | A | BLACK | | | 70 | 69 | | | | | | 63 | 62 | 61 | | | 58 | 57 | 56 | 55 | 54 | 53 | | | |
| | | | | | | 52 | 51 | 50 | 49 | | | | | 44 | 43 | 42 | 41 | | | | | | 37 | 36 | | 34 | | |
| | | | | | | 73 | | | 32 | | | | 29 | 28 | 27 | 26 | | | | | | | | | | 19 | 18 | |
| SALEABLE | NOT APPLICABLE | 34566-3593 | 0 | A | BLACK | | 71 | | 69 | | | | | 64 | 63 | | | 60 | | | 58 | 57 | 56 | 55 | 54 | 53 | | |
| | | | | | | 52 | 51 | | 49 | | | | | 45 | 44 | 43 | 42 | 41 | | | | | | 37 | 36 | 35 | 34 | 33 |
| | | | | | | 73 | | | 32 | | 30 | | | 28 | | 26 | | | | | | | | | | | 19 | 18 |
| SALEABLE | NOT APPLICABLE | 34566-3613 | 0 | B | ST GRY | | | | | 68 | 67 | | | 64 | 63 | | | | | 59 | | | | | | | | |
| | | | | | | | | | | | | 46 | 45 | | 43 | | | | | | | | | | | | | |
| | | | | | | 73 | | | 32 | | 30 | 29 | 28 | 27 | | | | | | | | | | | | | | |
| SALEABLE | NOT APPLICABLE | 34566-3623 | 0 | A | BLACK | 72 | | 70 | 69 | | | | | | 63 | 62 | 61 | 60 | 59 | 58 | 57 | 56 | 55 | 54 | 53 | | | |
| | | | | | | 52 | 51 | | 49 | | | | | 44 | 43 | 42 | 41 | | | | | | | 37 | 36 | | 34 | |
| | | | | | | 73 | | | 32 | | | | 29 | 28 | 27 | 26 | | | | | | | | | | | 19 | 18 |
| SALEABLE | NOT APPLICABLE | 34566-3633 | 0 | C | BLUE | | | 70 | | 68 | 67 | 66 | | | 63 | 62 | | | 59 | | 57 | | | | 53 | | | |
| | | | | | | 52 | 51 | | | 48 | 47 | 46 | | 44 | | | | 40 | 39 | 38 | 37 | 36 | | | | 34 | 33 | |
| | | | | | | 73 | | | 32 | | 30 | | | | 26 | 25 | 24 | 23 | 22 | 21 | | | | | | | | |
| SALEABLE | NOT APPLICABLE | 34566-3643 | 0 | B | ST GRY | | 71 | 70 | | 68 | 67 | 66 | | 64 | 63 | | | | | 59 | | | | | | 53 | | |
| | | | | | | 52 | 51 | 50 | | 48 | 47 | 46 | | | | | | | | | | | | | | | 34 | 33 |
| | | | | | | 73 | | | 32 | 31 | 30 | 29 | 28 | 27 | 26 | 25 | 24 | | | | | | | | | | | 17 |
| SALEABLE | NOT APPLICABLE | 34566-3653 | 0 | B | ST GRY | | 71 | 70 | 69 | 68 | | 66 | 65 | 64 | 63 | | | | 59 | | | | | | | 53 | | |
| | | | | | | 52 | 51 | 50 | 49 | 48 | 47 | 46 | 45 | 44 | 43 | | | | 39 | | | | | | | | 34 | 33 |
| | | | | | | 73 | | | 32 | | 30 | 29 | 28 | 27 | 26 | 25 | 24 | | | | | | | | | | | 17 |
| SALEABLE | NOT APPLICABLE | 34566-3663 | 0 | A | BLACK | | | 70 | 69 | | | | | | 63 | 62 | 61 | 60 | 59 | 58 | 57 | 56 | 55 | 54 | 53 | | | |
| | | | | | | 52 | 51 | | 49 | | | | | 44 | 43 | 42 | 41 | | | | | | | 37 | 36 | | 34 | |
| | | | | | | 73 | | | 32 | | | | 29 | 28 | 27 | 26 | | | | | | | | | | | 19 | 18 |
| SALEABLE | NOT APPLICABLE | 34566-3673 | 9 | C | BLUE | | 71 | 70 | 69 | 68 | 67 | | 65 | | 63 | 62 | 61 | | | 59 | 58 | 57 | 56 | 55 | 54 | 53 | | |
| | | | | | | | 51 | 50 | 49 | 48 | | | | 45 | 44 | 43 | 42 | 41 | 40 | 39 | 38 | | | | 36 | 35 | 34 | 33 |
| | | | | | | 73 | | | | 31 | 30 | 29 | 28 | 27 | 26 | | | | | | 22 | | | 20 | 19 | 18 | 17 | |
| SALEABLE | NOT APPLICABLE | 34566-3683 | 9 | H | ST GRY | | | | | | | | | | | | | | | | | | | | | | | |
| | | | | | | | | | | | | | | | | | | | | | | | | | | | | |
| | | | | | | 20 | | | | | | | 15 | | | | | | | | 9 | | | | | | 5 | |
| SALEABLE | NOT APPLICABLE | 34566-3693 | 0 | C | BLUE | 72 | | 70 | | 68 | 67 | 66 | | | 63 | 62 | | | 59 | | 57 | | | | 53 | | | |
| | | | | | | 52 | 51 | | | 48 | 47 | 46 | | 44 | | 42 | | 40 | 39 | 38 | | | | | | 34 | 33 | |
| | | | | | | 73 | | | 32 | | 30 | | | | 27 | 26 | 25 | | | 22 | 21 | | | | | | | |
| SALEABLE | NOT APPLICABLE | 34566-3713 | 0 | C | BLUE | | | 70 | | 68 | 67 | 66 | | | 63 | 62 | 61 | | | 59 | | 57 | | | 53 | | | |
| | | | | | | 52 | 51 | | | 48 | 47 | 46 | | 44 | | 42 | | 40 | 39 | | | | | | | 34 | 33 | |
| | | | | | | 73 | | | 32 | | 30 | | | | 27 | 26 | 25 | | | | | | | 22 | 21 | | | |
| SALEABLE | NOT APPLICABLE | 34566-3723 | 0 | A | BLACK | | | 70 | 69 | | | | | | 63 | 62 | 61 | | | 58 | 57 | 56 | 55 | 54 | 53 | | | |
| | | | | | | 52 | 51 | 50 | 49 | | | | | 44 | 43 | 42 | 41 | | | | | | | | | | 34 | |
| | | | | | | 73 | | | 32 | | | | 29 | 28 | 27 | 26 | | | | | | | | | | | 19 | 18 |

MX123 52/66/73/80-WAY RECEPTACLE ASSY SEALED PIN OUT SHEET

| STATUS | GM PART # | HRNS CONN ASSY | | | TPA | GROMMET CAP | | | | | | | | | | | | | | | | | | | | | |
|----------|----------------|----------------|-------------------|------------------|--------------------|---|----|----|----|----|----|----|----|----|----|----|----|----|----|----|----|----|----|----|----|----|----|
| | | MATERIAL/PART | WIRE DRESS OPTION | KEY OPTION Fp | COLOR OPTION Fp | NUMBERS INDICATE CAVITIES OPEN FOR CIRCUITS | | | | | | | | | | | | | | | | | | | | | |
| | | NUMBER | | | | Fp | | | | | | | | | | | | | | | | | | | | | |
| SALEABLE | NOT APPLICABLE | 34566-3733 | 0 | B | ST GRAY | 72 | 71 | 70 | | 68 | 67 | 66 | | | | 62 | 61 | 60 | 59 | 58 | 57 | 56 | 55 | 54 | 53 | | |
| | | | | | | 52 | 51 | 50 | | 48 | 47 | 46 | | | | 42 | 41 | 40 | 39 | 38 | 37 | 36 | 35 | 34 | 33 | | |
| | | | | | | 73 | | | | 32 | 31 | 30 | 29 | 28 | 27 | 26 | 25 | 24 | 23 | | | | | | | | |
| SALEABLE | NOT APPLICABLE | 34566-3743 | 0 | C | BLUE | 72 | | 70 | | 68 | | 66 | | | 63 | 62 | | | 59 | | 57 | | | 53 | | | |
| | | | | | | 52 | 51 | | | 48 | 47 | 46 | | 44 | | 42 | | 40 | 39 | 38 | | | | | 34 | 33 | |
| | | | | | | 73 | | | | 32 | | 30 | | | 27 | 26 | 25 | | | 22 | 21 | | | | | | |
| SALEABLE | NOT APPLICABLE | 34566-3753 | 0 | C | BLUE | 72 | | 70 | | 68 | | 66 | | | 63 | 62 | | | 59 | | 57 | | | 53 | | | |
| | | | | | | 52 | 51 | | | 48 | 47 | 46 | | 44 | | 42 | | 40 | 39 | | | | | | 34 | 33 | |
| | | | | | | 73 | | | | 32 | | 30 | | | 27 | 26 | 25 | | | 22 | 21 | | | | | | |
| SALEABLE | NOT APPLICABLE | 34566-3763 | 0 | C | BLUE | 72 | | 70 | | 68 | | 66 | | | 63 | 62 | | | 59 | | 57 | 56 | 55 | 54 | 53 | | |
| | | | | | | 52 | 51 | | | 48 | 47 | 46 | | 44 | | 42 | | 40 | 39 | | | | | | 34 | 33 | |
| | | | | | | 73 | | | | 32 | | 30 | | | 27 | 26 | 25 | | | 22 | 21 | | | | | | |
| SALEABLE | NOT APPLICABLE | 34566-3773 | 0 | A | BLACK | | | 70 | 69 | | | | | | 63 | | | | 58 | | 56 | 55 | 54 | 53 | | | |
| | | | | | | 52 | 51 | 50 | 49 | | | | | 44 | 43 | 42 | 41 | | 39 | | | | | 36 | | 34 | |
| | | | | | | 73 | | | | 32 | | | | | 28 | | 26 | | | | | | | | 19 | 18 | |
| SALEABLE | NOT APPLICABLE | 34566-3783 | 0 | A | BLACK | | | 70 | 69 | | | | | | 63 | | | | 58 | | 56 | 55 | 54 | 53 | | | |
| | | | | | | 52 | 51 | 50 | 49 | | | | | 44 | 43 | 42 | 41 | | 39 | | | | | 36 | | 34 | |
| | | | | | | 73 | | | | 32 | | | | | 28 | | 26 | | | | | | | | 19 | 18 | 17 |
| SALEABLE | NOT APPLICABLE | 34566-3793 | 0 | A | BLACK | | 71 | 70 | | | | | | 64 | 63 | | | 60 | | 58 | 57 | 56 | 55 | 54 | 53 | | |
| | | | | | | 52 | 51 | | 49 | | | | 45 | 44 | 43 | 42 | 41 | | | | 37 | 36 | | | 34 | | |
| | | | | | | 73 | | | | 32 | | 30 | | | 28 | | 26 | | 23 | | 21 | | | | 19 | 18 | |
| SALEABLE | NOT APPLICABLE | 34566-3813 | 0 | C | BLUE | 72 | | 70 | | 68 | | 66 | | | 63 | 62 | | | 59 | | 57 | | | 53 | | | |
| | | | | | | 52 | 51 | | | 48 | 47 | 46 | | 44 | | 42 | | 40 | 39 | 38 | 37 | 36 | | | 34 | 33 | |
| | | | | | | 73 | | | | 32 | | 30 | | | | 26 | 25 | 24 | | | 22 | 21 | 20 | | | | |
| SALEABLE | NOT APPLICABLE | 34566-3823 | 0 | A | BLACK | | | 70 | 69 | | | | | | 63 | | 61 | | | 58 | 57 | 56 | 55 | 54 | 53 | | |
| | | | | | | 52 | 51 | | 49 | | | | | 44 | 43 | | 41 | | | | 37 | 36 | | | 34 | | |
| | | | | | | 73 | | | | 32 | | | | | 27 | 26 | | | | | | | | | 19 | 18 | |
| SALEABLE | NOT APPLICABLE | 34566-3833 | 0 | A | BLACK | | | 70 | 69 | | | | | | 63 | 62 | 61 | | | 57 | 56 | 55 | 54 | 53 | | | |
| | | | | | | 52 | 51 | | 49 | | | | | 44 | 43 | 42 | 41 | | | | 37 | 36 | | | 34 | | |
| | | | | | | 73 | | | | 32 | | | 29 | 28 | 27 | 26 | | | 23 | | | | | | 19 | 18 | |
| SALEABLE | NOT APPLICABLE | 34566-3843 | 0 | A | BLACK | 72 | 71 | 70 | 69 | 68 | 67 | 66 | | | 64 | 63 | 62 | | 60 | 59 | | | | 55 | 54 | 53 | |
| | | | | | | 52 | | | 49 | 48 | | | | 44 | 43 | 42 | 41 | 40 | 39 | | | | | | 35 | 34 | 33 |
| | | | | | | 73 | | | | 32 | | | 29 | 28 | 27 | | 25 | 24 | 23 | | | | | | | 19 | 18 |
| SALEABLE | NOT APPLICABLE | 34566-3853 | 0 | A | BLACK | 72 | 71 | 70 | 69 | 68 | 67 | 66 | 65 | 64 | 63 | 62 | | 60 | 59 | | | | | 55 | 54 | 53 | |
| | | | | | | 52 | | | 49 | 48 | | | 45 | 44 | 43 | 42 | 41 | 40 | 39 | | | | | | 35 | 34 | 33 |
| | | | | | | 73 | | | | 32 | | | 29 | 28 | 27 | | 25 | 24 | 23 | | | | | | | 19 | 18 |
| SALEABLE | NOT APPLICABLE | 34566-3863 | 0 | B | ST GRAY | 72 | 71 | 70 | | 68 | 67 | 66 | | | | 62 | 61 | 60 | 59 | 58 | 57 | 56 | 55 | 54 | 53 | | |
| | | | | | | 52 | 51 | 50 | | 48 | 47 | 46 | | | | 42 | 41 | 40 | 39 | 38 | 37 | 36 | 35 | 34 | 33 | | |
| | | | | | | 73 | | | | 32 | 31 | 30 | 29 | 28 | 27 | 26 | 25 | 24 | | | | | | | | | 2 |
| SALEABLE | NOT APPLICABLE | 34566-3873 | 0 | B | ST GRAY | | | | | | | | | | 63 | | | | 59 | 58 | 57 | 56 | 55 | | | | |
| | | | | | | | | 50 | 49 | 48 | | 46 | 45 | | 43 | | | | | 39 | 38 | 37 | 36 | 35 | 34 | | |
| | | | | | | 73 | | | | | | | 29 | 27 | | | | | | 23 | 22 | 21 | | | | 18 | |
| SALEABLE | NOT APPLICABLE | 34566-3883 | 0 | B | ST GRAY | | | | | | 67 | 66 | | | | | | 59 | 58 | 57 | 56 | 55 | | 53 | | | |
| | | | | | | | | 50 | 49 | 48 | | | 45 | | | | | | 39 | 38 | 37 | 36 | 35 | 34 | 33 | | |
| | | | | | | 73 | | | | | | | 29 | | | | | | 23 | 22 | 21 | | | | 18 | | |

MX123 52/66/73/80-WAY RECEPTACLE ASSY SEALED PIN OUT SHEET

| STATUS | GM PART # | HRNS CONN ASSY | | | TPA | GROMMET CAP | | | | | | | | | | | | | | | | | | | | | | | | | |
|----------|----------------|----------------|-------------------|------------------|--------------------|---|----|----|----|----|----|----|----|----|----|----|----|----|----|----|----|----|----|----|----|----|----|----|----|----|----|
| | | MATERIAL/PART | WIRE DRESS OPTION | KEY OPTION Fp | COLOR OPTION Fp | NUMBERS INDICATE CAVITIES OPEN FOR CIRCUITS | | | | | | | | | | | | | | | | | | | | | | | | | |
| | | NUMBER | | | | Fp | | | | | | | | | | | | | | | | | | | | | | | | | |
| SALEABLE | NOT APPLICABLE | 34566-4063 | 0 | B | ST GRY | | | | | 68 | 67 | | | 64 | | | | | 59 | 58 | | | | | 54 | | | | | | |
| | | | | | | | | | | | | | | | | | | | | | | | | | | | | | | | |
| | | | | | | | | | | | | | | | | | | | | | | | | | | | | | | | |
| SALEABLE | NOT APPLICABLE | 34566-4073 | 0 | A | BLACK | 72 | | | 70 | | | | | 66 | | | 63 | 62 | | | 59 | | 57 | 56 | 55 | | 53 | | | | |
| | | | | | | 52 | 51 | | | | | 46 | | 44 | | 42 | | 40 | 39 | | 37 | 36 | | | | | 34 | 33 | | | |
| | | | | | | | | | | | | | | | | | | | | | | | | | | | | | | | |
| SALEABLE | NOT APPLICABLE | 34566-4083 | 0 | C | BLUE | 72 | | | 70 | | | | | 68 | | | 63 | 62 | | | 59 | 58 | 57 | | | | 53 | | | | |
| | | | | | | 52 | 51 | | | | | 48 | 47 | | | 44 | | 42 | | 40 | 39 | 38 | 37 | 36 | | | 34 | 33 | | | |
| | | | | | | | | | | | | | | | | | | | | | | | | | | | | | | | |
| SALEABLE | NOT APPLICABLE | 34566-4093 | 0 | A | BLACK | | 71 | 70 | 69 | | | | | 67 | | | 64 | 63 | | | 60 | | | 57 | 56 | 55 | 54 | 53 | | | |
| | | | | | | 52 | 51 | | 49 | | | | 47 | | 45 | 44 | 43 | 42 | 41 | | | | | | | | 37 | 36 | | 34 | |
| | | | | | | | | | | | | | | | | | | | | | | | | | | | | | | | |
| SALEABLE | NOT APPLICABLE | 34566-4113 | 0 | B | ST GRY | | | | | | | | | 68 | 67 | | | 64 | | | | | | | | | | | | | |
| | | | | | | | | | | | | | | | | | | | | | | | | | | | | | | | |
| | | | | | | | | | | | | | | | | | | | | | | | | | | | | | | | |
| SALEABLE | NOT APPLICABLE | 34566-4123 | 9 | A | BLACK | 72 | | | | 69 | | | | 67 | | | 66 | 65 | | | 63 | | | 60 | | 57 | 56 | | 53 | | |
| | | | | | | | | | 49 | | | | 47 | 46 | | 44 | 43 | 42 | | 40 | | | | | | | 37 | 36 | 35 | | 33 |
| | | | | | | | | | | | | | | | | | | | | | | | | | | | | | | | |
| SALEABLE | NOT APPLICABLE | 34566-4133 | 9 | B | ST GRY | | | | | | | | | 68 | 67 | | | 64 | | | | | | 59 | 58 | | | | 54 | | |
| | | | | | | | | | | | | | | | | | | | | | | | | | | | | | | | |
| | | | | | | | | | | | | | | | | | | | | | | | | | | | | | | | |
| SALEABLE | NOT APPLICABLE | 34566-4143 | 0 | B | ST GRY | | | | | | | | | 68 | 67 | | | 64 | | | | | | | | | | | | | |
| | | | | | | | | | | | | | | | | | | | | | | | | | | | | | | | |
| | | | | | | | | | | | | | | | | | | | | | | | | | | | | | | | |
| SALEABLE | NOT APPLICABLE | 34566-4153 | 0 | B | ST GRY | 72 | | | 70 | | | | | 68 | | | 66 | | | | | 60 | 59 | | | | 55 | 54 | 53 | | |
| | | | | | | 52 | | 50 | | | | 48 | | 46 | | 44 | | | | 40 | 39 | | | | | | | 35 | 34 | 33 | |
| | | | | | | | | | | | | | | | | | | | | | | | | | | | | | | | |
| SALEABLE | NOT APPLICABLE | 34566-4163 | 0 | B | ST GRY | 72 | | | 70 | | | | | 68 | | | 66 | | | | | 60 | 59 | | | | 55 | 54 | 53 | | |
| | | | | | | 52 | | 50 | | | | 48 | | 46 | | | | | 40 | 39 | | | | | | | | 35 | 34 | 33 | |
| | | | | | | | | | | | | | | | | | | | | | | | | | | | | | | | |
| SALEABLE | NOT APPLICABLE | 34566-4173 | 0 | A | BLACK | 72 | 71 | 70 | 69 | | | | | | | 64 | 63 | | | | 60 | 59 | 58 | | | 56 | 55 | 54 | 53 | | |
| | | | | | | 52 | 51 | | 49 | | | | 47 | | 45 | 44 | 43 | 42 | 41 | | | | | | | 38 | | 36 | | 34 | |
| | | | | | | | | | | | | | | | | | | | | | | | | | | | | | | | |
| SALEABLE | NOT APPLICABLE | 34566-4183 | 0 | C | BLUE | 72 | | | 70 | | | | | 68 | | | 66 | | | 63 | 62 | | | 59 | 58 | 57 | | | 53 | | |
| | | | | | | 52 | 51 | | | | | 48 | 47 | 46 | | 44 | | 42 | | 40 | 39 | | | | | | | | | 34 | 33 |
| | | | | | | | | | | | | | | | | | | | | | | | | | | | | | | | |
| SALEABLE | NOT APPLICABLE | 34566-4193 | 0 | C | BLUE | | 71 | | 69 | | | | | | | 65 | 64 | | | 61 | 60 | | | 58 | | 56 | 55 | 54 | | | |
| | | | | | | | | 50 | 49 | | | | | | 45 | | 43 | | 41 | | | | | | | | 38 | 37 | 36 | 35 | |
| | | | | | | | | | | | | | | | | | | | | | | | | | | | | | | | |
| SALEABLE | NOT APPLICABLE | 34566-4213 | 0 | A | BLACK | 72 | 71 | | | | | | | 68 | 67 | 66 | 65 | 64 | | | | 60 | 59 | 58 | | | | | | | |
| | | | | | | | | 50 | | | | 48 | 47 | 46 | 45 | | | | | | | | 40 | 39 | 38 | | | | 35 | | |
| | | | | | | | | | | | | | | | | | | | | | | | | | | | | | | | |
| SALEABLE | NOT APPLICABLE | 34566-4223 | 0 | A | BLACK | 72 | 71 | | | | | | | 68 | 67 | 66 | 65 | 64 | | | | 60 | 59 | | | | | | | | |
| | | | | | | | | 50 | | | | 48 | 47 | 46 | 45 | | | | | | | | 40 | 39 | 38 | | | | 35 | | |
| | | | | | | | | | | | | | | | | | | | | | | | | | | | | | | | |

MX123 52/66/73/80-WAY RECEPTACLE ASSY SEALED PIN OUT SHEET

| STATUS | GM PART # | HRNS CONN ASSY | | | TPA | GROMMET CAP | | | | | | | | | | | | | | | | | | | | | | |
|----------|----------------|----------------|-------------------|------------------|--------------------|---|----|----|----|----|----|----|----|----|----|----|----|----|----|----|----|----|----|----|----|----|----|----|
| | | MATERIAL/PART | WIRE DRESS OPTION | KEY OPTION Fp | COLOR OPTION Fp | NUMBERS INDICATE CAVITIES OPEN FOR CIRCUITS | | | | | | | | | | | | | | | | | | | | | | |
| | | NUMBER | | | | Fp | | | | | | | | | | | | | | | | | | | | | | |
| SALEABLE | NOT APPLICABLE | 34566-4393 | 0 | G | BLUE | | | 78 | 77 | | 75 | 74 | | 72 | | 70 | 69 | | 67 | | 65 | 64 | 63 | 62 | | | | |
| | | | | | | 60 | | 58 | 57 | | 55 | 54 | | 52 | 51 | 50 | 49 | | 47 | | 45 | | | | | | | |
| | | | | | | 40 | | 38 | 37 | | | | | 33 | 32 | 31 | | | | 27 | 26 | 25 | 24 | | | | | |
| | | | | | | 20 | | 18 | 17 | | | | | | | | | 10 | 9 | 8 | | 6 | 5 | | | 3 | 2 | 1 |
| SALEABLE | NOT APPLICABLE | 34566-4413 | 0 | B | ST GRAY | | | | | | | | | 63 | | | 59 | 58 | 57 | 56 | 55 | | 53 | | | | | |
| | | | | | | | | 50 | 49 | 48 | | 46 | | 43 | | | 39 | 38 | 37 | 36 | 35 | 34 | 33 | | | | | |
| | | | | | | 73 | | | | | | 29 | | 27 | | | | 23 | 22 | 21 | | | | | | 18 | | |
| | | | | | | | | | | | 16 | 15 | 14 | | | | | | | 7 | 6 | 5 | 4 | 3 | | | | |
| SALEABLE | NOT APPLICABLE | 34566-4423 | 9 | C | BLUE | 72 | | 70 | | 68 | 67 | 66 | | 63 | 62 | | 59 | | 57 | | | | | 53 | | | | |
| | | | | | | 52 | 51 | | | 48 | 47 | 46 | | 44 | | 42 | | 40 | 39 | 38 | 37 | 36 | | | 34 | 33 | | |
| | | | | | | 73 | | | | | | 32 | | 30 | | | 27 | 26 | 25 | 24 | | 22 | 21 | | | | | |
| | | | | | | | | | | | | 15 | 14 | | | | | 10 | 9 | 8 | | 6 | 5 | 4 | | | 2 | |
| SALEABLE | NOT APPLICABLE | 34566-4433 | 9 | A | BLACK | | | 70 | 69 | | | | | 63 | 62 | 61 | 60 | | 58 | 57 | 56 | 55 | 54 | 53 | | | | |
| | | | | | | 52 | 51 | 50 | 49 | | | | 44 | 43 | 42 | 41 | 40 | | | 37 | 36 | | | | 34 | 33 | | |
| | | | | | | 73 | | | | | | 32 | | | 29 | 28 | 27 | 26 | | | | | | | | 19 | 18 | |
| | | | | | | | | | | | 16 | 15 | 14 | 13 | 12 | 11 | 10 | | | | | | | | | | 3 | |
| SALEABLE | NOT APPLICABLE | 34566-4443 | 9 | A | BLACK | | | | | | 67 | 66 | | | | | | | | | | | | | | | | |
| | | | | | | | | | | 48 | 47 | | | | | | 41 | | | | | | | | | | | |
| | | | | | | 73 | | | | | | 32 | 31 | 30 | 29 | | 27 | 26 | 25 | | | 22 | 21 | | | 19 | 18 | 17 |
| | | | | | | | | | | | | 16 | 15 | 14 | 13 | | | | | | | | | | | | | |
| SALEABLE | NOT APPLICABLE | 34566-4453 | 0 | A | BLACK | 72 | 71 | 70 | 69 | | | | | 63 | 62 | 61 | 60 | 59 | 58 | 57 | 56 | 55 | 54 | 53 | | | | |
| | | | | | | 52 | 51 | 50 | 49 | 48 | | 46 | 45 | 44 | 43 | 42 | | 40 | 39 | 38 | 37 | 36 | 35 | 34 | 33 | | | |
| | | | | | | 73 | | | | | | | | | 28 | | | | 24 | 23 | | | | | | 20 | | |
| | | | | | | | | | | | | | | | 12 | 11 | | | | | | | | | | | 2 | 1 |
| SALEABLE | NOT APPLICABLE | 34566-4463 | 9 | B | ST GRAY | | | | | | | | | 63 | | | | | | | | | | 53 | | | | |
| | | | | | | | | | | 48 | 47 | | 45 | | 43 | 42 | | 39 | | | | | | | 35 | 34 | 33 | |
| | | | | | | 73 | | | | | | | | | | | | 11 | | | | | | | | 19 | | |
| | | | | | | | | | | | | | | | | | | | | | | | | | | | | 1 |
| SALEABLE | NOT APPLICABLE | 34566-4473 | 0 | B | ST GRAY | | | | | | | | 64 | 63 | 62 | | 59 | 58 | | | | | | 53 | | | | |
| | | | | | | | | | | | | 47 | | 45 | | 43 | 42 | | 39 | | | | | | 35 | 34 | 33 | |
| | | | | | | 73 | | | | | | | | | | | | 26 | 25 | | 23 | 22 | | | | | | |
| | | | | | | | | | | | | | | | | | | | | | | | | | | | 3 | 1 |
| SALEABLE | NOT APPLICABLE | 34566-4483 | 9 | C | BLUE | 72 | | 70 | | 68 | 67 | 66 | | 63 | 62 | | 59 | 58 | 57 | 56 | 55 | | | 53 | | | | |
| | | | | | | 52 | 51 | | 49 | 48 | 47 | 46 | | 44 | | | 40 | 39 | 38 | 37 | 36 | | | | 34 | 33 | | |
| | | | | | | 73 | | | | | | 32 | | 30 | | | 27 | 26 | 25 | 24 | 23 | 22 | 21 | 20 | 19 | 18 | 17 | |
| | | | | | | | | | | | | | 15 | 14 | 13 | | | 10 | 9 | 8 | 7 | 6 | 5 | 4 | 3 | 2 | 1 | |
| SALEABLE | NOT APPLICABLE | 34566-4493 | 9 | A | BLACK | 72 | 71 | 70 | 69 | | | | 64 | 63 | 62 | 61 | 60 | 59 | 58 | 57 | 56 | 55 | 54 | 53 | | | | |
| | | | | | | 52 | 51 | 50 | 49 | 48 | 47 | | 45 | 44 | 43 | 42 | 41 | 40 | 39 | | 37 | 36 | | | 34 | | | |
| | | | | | | 73 | | | | | | 32 | | 30 | 29 | 28 | 27 | 26 | | 24 | 23 | | 21 | | | 19 | 18 | 17 |
| | | | | | | | | | | | | 16 | 15 | 14 | 13 | 12 | 11 | 10 | | | 8 | | 5 | | | 3 | 2 | 1 |
| SALEABLE | NOT APPLICABLE | 34566-4513 | 9 | B | ST GRAY | 72 | 71 | 70 | | 68 | 67 | 66 | | | | 62 | 61 | 60 | 59 | 58 | 57 | 56 | 55 | 54 | 53 | | | |
| | | | | | | 52 | 51 | 50 | | 48 | 47 | 46 | | | | 42 | 41 | 40 | 39 | 38 | 37 | 36 | 35 | 34 | 33 | | | |
| | | | | | | 73 | | | | | | 32 | 31 | 30 | 29 | 28 | 27 | 26 | 25 | 24 | 23 | | | | | 19 | 18 | 17 |
| | | | | | | | | | | | | 16 | 15 | 14 | 13 | | | 10 | | 8 | 7 | | | | | 3 | 2 | 1 |
| SALEABLE | NOT APPLICABLE | 34566-4523 | 0 | G | BLUE | | | 78 | 77 | | 75 | 74 | | 72 | | 70 | 69 | | 67 | | 65 | 64 | 63 | 62 | | | | |
| | | | | | | 60 | | 58 | 57 | | 55 | 54 | | 52 | 51 | 50 | 49 | | 47 | | 45 | | | | | | | |
| | | | | | | 40 | | 38 | 37 | | | | | | 33 | 32 | 31 | | | | 27 | 26 | 25 | 24 | | | | |
| | | | | | | 20 | | 18 | 17 | | | | | | | | | | 10 | 9 | 8 | | 6 | 5 | | | 3 | 2 |
| SALEABLE | NOT APPLICABLE | 34566-4533 | 0 | A | BLACK | 72 | | | 69 | | 67 | | 65 | | 63 | | 60 | | | 57 | 56 | | | | 53 | | | |
| | | | | | | | | | 49 | | 47 | | | 44 | 43 | | | 40 | | | 37 | 36 | 35 | | | | 33 | |
| | | | | | | 73 | | | | | | | | 31 | 30 | 29 | 28 | | | 24 | | | 21 | 20 | | | | 17 |
| | | | | | | | | | | | | 16 | 15 | 14 | 13 | | | 11 | 10 | | | | 5 | 4 | 3 | 2 | 1 | |
| SALEABLE | NOT APPLICABLE | 34566-4543 | 0 | B | ST GRAY | | | | | 68 | 67 | | | 64 | 63 | | | 58 | 57 | | 55 | | | 53 | | | | |
| | | | | | | | | | | | | 46 | 45 | | 43 | | | | | 38 | 37 | | | 35 | | | | |
| | | | | | | 73 | | | | | | 32 | | 30 | 29 | 28 | 27 | | | | 22 | 21 | | | | 19 | | 17 |
| | | | | | | | | | | | | | | | | 12 | | 10 | | | | | | | | | | 1 |
| SALEABLE | NOT APPLICABLE | 34566-4553 | 0 | B | ST GRAY | | | | | 68 | 67 | | | 64 | 63 | | | 58 | 57 | | | | | 53 | | | | |
| | | | | | | | | | | | | 46 | 45 | | 43 | | | | | 38 | 37 | | | | | | | |
| | | | | | | 73 | | | | | | 32 | | 30 | 29 | 28 | 27 | | | | 22 | 21 | | | | | | 17 |
| | | | | | | | | | | | | | | | | 12 | | 10 | | | | | | | | | | |

MX123 52/66/73/80-WAY RECEPTACLE ASSY SEALED PIN OUT SHEET

| STATUS | GM PART # | HRNS CONN ASSY | | | TPA | GROMMET CAP | | | | | | | | | | | | | | | | | | | | | | | | | | | | |
|----------|----------------|----------------|-------------------|------------------|--------------------|---|----|----|----|----|----|----|----|----|----|----|----|----|----|----|----|----|----|----|----|----|----|----|----|----|----|----|----|----|
| | | MATERIAL/PART | WIRE DRESS OPTION | KEY OPTION Fp | COLOR OPTION Fp | NUMBERS INDICATE CAVITIES OPEN FOR CIRCUITS | | | | | | | | | | | | | | | | | | | | | | | | | | | | |
| | | NUMBER | | | | Fp | | | | | | | | | | | | | | | | | | | | | | | | | | | | |
| SALEABLE | NOT APPLICABLE | 34566-4563 | 0 | B | ST GRY | | | | | | 68 | 67 | | | | 64 | 63 | | | | | 58 | | | | | 55 | | | | 53 | | | |
| | | | | | | | | | | | | | | | | | | | | | | | | | | | | | | | | | | |
| | | | | | | 73 | | | | | | | | | | 32 | | | 46 | 45 | | | 43 | | | | | | | | | | | |
| SALEABLE | NOT APPLICABLE | 34566-4573 | 0 | B | ST GRY | | | | | | 68 | 67 | | | | 64 | 63 | | | | | 58 | | | | | | | | | | | | |
| | | | | | | | | | | | | | | | | | | | | | | | | | | | | | | | | | | |
| | | | | | | 73 | | | | | | | | | | 32 | | | 46 | 45 | | | 43 | | | | | | | | | | | |
| SALEABLE | NOT APPLICABLE | 34566-4583 | 0 | B | ST GRY | | | | | | 68 | 67 | | | | 64 | | | | | 58 | | | | | | | | | | | | | |
| | | | | | | | | | | | | | | | | | | | | | | | | | | | | | | | | | | |
| | | | | | | 73 | | | | | | | | | | 32 | | | 46 | 45 | | | 43 | | | | | | | | | | | |
| SALEABLE | NOT APPLICABLE | 34566-4593 | 0 | B | ST GRY | | | | | | 68 | 67 | | | | 64 | | | | | 58 | | | | | | | | | | | | | |
| | | | | | | | | | | | | | | | | | | | | | | | | | | | | | | | | | | |
| | | | | | | 73 | | | | | | | | | | 32 | | | 46 | 45 | | | 43 | | | | | | | | | | | |
| SALEABLE | NOT APPLICABLE | 34566-4613 | 0 | A | BLACK | | 72 | | | 69 | | | 67 | 66 | 65 | | 63 | | | 60 | | | 57 | 56 | | | | | | | | | | |
| | | | | | | | | | 49 | | | 47 | | | 44 | 43 | 42 | | 40 | | | | | 37 | 36 | 35 | | | | | | | | |
| | | | | | | 73 | | | | | | | | | | | | | | | | | | | | | | | | | | | | |
| SALEABLE | NOT APPLICABLE | 34566-4623 | 0 | B | ST GRY | | 72 | | 70 | | | 68 | | 66 | | | | | 60 | 59 | | | | | | | | | 55 | 54 | 53 | | | |
| | | | | | | | 52 | | 50 | | | 48 | | 46 | | | | | 40 | 39 | | | | | | | | | | | 35 | 34 | 33 | |
| | | | | | | 73 | | | | | | | | | | | | | | | | | | | | | | | | | | | | |
| SALEABLE | NOT APPLICABLE | 34566-4633 | 0 | A | BLACK | | | 71 | 70 | 69 | | | | | | 64 | 63 | | | 60 | 59 | 58 | | | | | | 56 | 55 | 54 | 53 | | | |
| | | | | | | | 52 | 51 | | 49 | | | 47 | | 45 | 44 | 43 | 42 | 41 | | | | | | | | | | | | | 36 | 34 | |
| | | | | | | 73 | | | | | | | | | | | | | | | | | | | | | | | | | | | | |
| SALEABLE | NOT APPLICABLE | 34566-4643 | 0 | B | ST GRY | | | 71 | 70 | 69 | | | | | | 64 | 63 | | | 60 | 59 | 58 | | | | | | | | | | | | |
| | | | | | | | 52 | 51 | | 49 | | | 47 | | 45 | 44 | 43 | 42 | 41 | | | | | | | | | | | | | | 36 | 34 |
| | | | | | | 73 | | | | | | | | | | | | | | | | | | | | | | | | | | | | |
| SALEABLE | NOT APPLICABLE | 34566-4653 | 0 | A | BLACK | | | 71 | 70 | 69 | | | | | | 64 | 63 | | | 60 | 59 | 58 | | | | | | | | | | | | |
| | | | | | | | 52 | 51 | | 49 | | | 47 | | 45 | 44 | 43 | 42 | 41 | | | | | | | | | | | | | | 36 | 34 |
| | | | | | | 73 | | | | | | | | | | | | | | | | | | | | | | | | | | | | |
| SALEABLE | NOT APPLICABLE | 34566-4663 | 0 | A | BLACK | | | 71 | 70 | 69 | | | | | | 64 | 63 | | | 60 | 59 | 58 | | | | | | | | | | | | |
| | | | | | | | 52 | 51 | | 49 | | | 47 | | 45 | 44 | 43 | 42 | 41 | | | | | | | | | | | | | | 36 | 34 |
| | | | | | | 73 | | | | | | | | | | | | | | | | | | | | | | | | | | | | |
| SALEABLE | NOT APPLICABLE | 34566-4673 | 0 | A | BLACK | | | | | | | | 67 | 66 | | | | | | | | | | | | | | | | | | | | |
| | | | | | | | | | | | | | | | | | | | | | | | | | | | | | | | | | | |
| | | | | | | 73 | | | | | | | | | | | | | | | | | | | | | | | | | | | | |
| SALEABLE | NOT APPLICABLE | 34566-4683 | 9 | B | ST GRY | | 72 | 71 | 70 | 69 | 68 | 67 | 66 | 65 | 64 | | 62 | 61 | 60 | 59 | 58 | 57 | 56 | 55 | 54 | | | | | | | | | |
| | | | | | | | 52 | 51 | 50 | 49 | | | 46 | | 44 | | | | 41 | 40 | | | 38 | 37 | 36 | | | | | | | | | |
| | | | | | | 73 | | | | | | | | | | | | | | | | | | | | | | | | | | | | |
| SALEABLE | NOT APPLICABLE | 34566-4693 | 0 | B | ST GRY | | 72 | 71 | 70 | 69 | 68 | 67 | 66 | 65 | | | | | 61 | 60 | | | 57 | 56 | 55 | 54 | | | | | | | | |
| | | | | | | | 52 | 51 | 50 | 49 | 48 | | 46 | | 44 | | | | 41 | 40 | | | 38 | 37 | 36 | | | | | | | | | |
| | | | | | | 73 | | | | | | | | | | | | | | | | | | | | | | | | | | | | |
| SALEABLE | NOT APPLICABLE | 34566-4713 | 0 | A | BLACK | | | 71 | 70 | 69 | | | | | | 64 | 63 | | | 60 | 59 | 58 | | | | | | | | | | | | |
| | | | | | | | 52 | 51 | | 49 | | | 47 | | 45 | 44 | 43 | 42 | 41 | | | | | | | | | | | | | | 36 | 34 |
| | | | | | | 73 | | | | | | | | | | | | | | | | | | | | | | | | | | | | |
| SALEABLE | NOT APPLICABLE | 34566-4723 | 0 | A | BLACK | | | 71 | 70 | 69 | | | | | | 64 | 63 | | | 60 | 59 | 58 | | | | | | | | | | | | |
| | | | | | | | 52 | 51 | | 49 | | | 47 | | 45 | 44 | 43 | 42 | 41 | | | | | | | | | | | | | | 36 | 34 |
| | | | | | | 73 | | | | | | | | | | | | | | | | | | | | | | | | | | | | |

MX123 52/66/73/80-WAY RECEPTACLE ASSY SEALED PIN OUT SHEET

| STATUS | GM PART # | HRNS CONN ASSY | | | TPA | GROMMET CAP | | | | | | | | | | | | | | | | | | | | | | |
|----------|----------------|----------------|-------------------|------------------|--------------------|---|----|----|----|----|----|----|----|----|----|----|----|----|----|----|----|----|----|----|----|----|----|----|
| | | MATERIAL/PART | WIRE DRESS OPTION | KEY OPTION Fp | COLOR OPTION Fp | NUMBERS INDICATE CAVITIES OPEN FOR CIRCUITS | | | | | | | | | | | | | | | | | | | | | | |
| | | NUMBER | | | | Fp | | | | | | | | | | | | | | | | | | | | | | |
| SALEABLE | NOT APPLICABLE | 34566-4733 | 0 | A | BLACK | 72 | 71 | 70 | 69 | | | | | 64 | 63 | | | 60 | 59 | 58 | | 56 | 55 | 54 | 53 | | | |
| | | | | | | 52 | 51 | | 49 | | 47 | | 45 | 44 | 43 | 42 | 41 | | | | | | 21 | | 36 | | 19 | 18 |
| | | | | | | 73 | | | | 32 | | 30 | | 28 | | 26 | | | | | | | 8 | | 5 | | 3 | |
| SALEABLE | NOT APPLICABLE | 34566-4743 | 9 | A | BLACK | 72 | 71 | 70 | 69 | | 67 | | 65 | 64 | 63 | 62 | 61 | 60 | 59 | 58 | 57 | 56 | 55 | 54 | 53 | | | |
| | | | | | | 52 | 51 | 50 | 49 | 48 | 47 | | 45 | 44 | 43 | 42 | 41 | 40 | 39 | | 37 | 36 | | | | 34 | | |
| | | | | | | 73 | | | | 32 | | 30 | 29 | 28 | 27 | 26 | | 24 | 23 | | 21 | | | | 19 | 18 | 17 | |
| SALEABLE | NOT APPLICABLE | 34566-4753 | 0 | B | ST GRY | | | | | 68 | 67 | | | 64 | | | | | | 58 | | | | | | | | |
| | | | | | | | | | | | 46 | 45 | | | | | | | | | | 38 | | | | | | |
| | | | | | | 73 | | | | 32 | | 30 | 29 | 28 | 27 | | | | | | 22 | | | | | | | 17 |
| SALEABLE | NOT APPLICABLE | 34566-4763 | 0 | B | ST GRY | | | | | 68 | 67 | | | 64 | | | | | | | | | | | | | | |
| | | | | | | | | | | | 46 | 45 | | | | | | | | | | | | | | | | |
| | | | | | | 73 | | | | 32 | | 30 | 29 | 28 | 27 | | | | | | | | | | | | | 17 |
| SALEABLE | NOT APPLICABLE | 34566-4773 | 0 | B | ST GRY | | | | | 68 | 67 | | | 64 | | | | | 59 | 58 | | | | | 54 | | | |
| | | | | | | | | | | | 46 | 45 | | | | | | | | 39 | 38 | | | | | | | |
| | | | | | | 73 | | | | 32 | | 30 | 29 | 28 | 27 | | | | | 23 | 22 | | | | | | | 17 |
| SALEABLE | NOT APPLICABLE | 34566-4783 | 0 | B | ST GRY | | | | | 68 | 67 | | | 64 | 63 | | | | | | | 55 | | | | | | |
| | | | | | | | | | | | 46 | 45 | | | 43 | | | | | | | 38 | | | | 35 | | |
| | | | | | | 73 | | | | 32 | | 30 | 29 | 28 | 27 | | | | | | | 22 | | | | 19 | | 17 |
| SALEABLE | NOT APPLICABLE | 34566-4793 | 0 | B | ST GRY | | | | | 68 | 67 | | | 64 | 63 | | | | | | | | | | | | | |
| | | | | | | | | | | | 46 | 45 | | | 43 | | | | | | | 38 | | | | | | |
| | | | | | | 73 | | | | 32 | | 30 | 29 | 28 | 27 | | | | | | | 22 | | | | | | 17 |
| SALEABLE | NOT APPLICABLE | 34566-4813 | 9 | B | ST GRY | | | | | 68 | 67 | | | 64 | | | | | 59 | 58 | | | | | 54 | | | |
| | | | | | | | | | | | 46 | 45 | | | | | | | | 39 | 38 | | | | | | | |
| | | | | | | 73 | | | | 32 | | 30 | 29 | 28 | 27 | | | | | 23 | 22 | | | | | | | 17 |
| SALEABLE | NOT APPLICABLE | 34566-4823 | 0 | C | BLUE | | | | | 68 | 67 | 66 | 65 | 64 | | | | | 59 | 58 | 57 | | 55 | 54 | 53 | | | |
| | | | | | | | 51 | 50 | 49 | 48 | | 46 | 45 | | 43 | 42 | 41 | 40 | 39 | 38 | 37 | | | 35 | | | 33 | |
| | | | | | | 73 | | | | 32 | 31 | 30 | | | | 26 | | 24 | 23 | 22 | | | | 20 | | | | |
| SALEABLE | NOT APPLICABLE | 34566-4833 | 0 | C | BLUE | 72 | | | 70 | | 68 | 67 | 66 | | | 63 | 62 | | | 59 | | 57 | | | 53 | | | |
| | | | | | | 52 | 51 | | | 48 | 47 | 46 | | 44 | | 42 | | 40 | 39 | | 37 | 36 | | | | 34 | 33 | |
| | | | | | | 73 | | | | 32 | | 30 | | | 27 | 26 | 25 | 24 | | 22 | 21 | | | | | | | |
| SALEABLE | NOT APPLICABLE | 34566-4843 | 0 | C | BLUE | 72 | | | 70 | | 68 | 67 | 66 | | | 63 | 62 | | | 59 | | 57 | | | 53 | | | |
| | | | | | | 52 | 51 | | | 48 | 47 | 46 | | 44 | | 42 | | 40 | 39 | 38 | 37 | 36 | | | | 34 | 33 | |
| | | | | | | 73 | | | | 32 | | 30 | | | 27 | 26 | 25 | 24 | | 22 | 21 | | | | | | | |
| SALEABLE | NOT APPLICABLE | 34566-4853 | 0 | C | BLUE | 72 | | | 70 | | 68 | | 66 | | | 63 | 62 | | | 59 | | 57 | 56 | 55 | | 53 | | |
| | | | | | | 52 | 51 | | | 48 | 47 | 46 | | 44 | | 42 | | 40 | 39 | | 37 | 36 | | | | 34 | 33 | |
| | | | | | | 73 | | | | 32 | | 30 | | | 27 | 26 | 25 | 24 | | 22 | 21 | | | 19 | 18 | | | |
| SALEABLE | NOT APPLICABLE | 34566-4863 | 0 | C | BLUE | 72 | | | 70 | | 68 | | 66 | | | 63 | 62 | | | 59 | | 57 | | | 53 | | | |
| | | | | | | 52 | 51 | | | 48 | 47 | 46 | | 44 | | 42 | | 40 | 39 | 38 | 37 | 36 | | | | 34 | 33 | |
| | | | | | | 73 | | | | 32 | | 30 | | | 27 | 26 | 25 | 24 | | 22 | 21 | | | | | | | |
| SALEABLE | NOT APPLICABLE | 34566-4873 | 0 | C | BLUE | 72 | | | 70 | | 68 | | 66 | | | 63 | 62 | | | 59 | | 57 | | | 53 | | | |
| | | | | | | 52 | 51 | | | 48 | 47 | 46 | | 44 | | 42 | | 40 | 39 | | 37 | 36 | | | | 34 | 33 | |
| | | | | | | 73 | | | | 32 | | 30 | | | 27 | 26 | 25 | 24 | | 22 | 21 | | | | | | | |
| SALEABLE | NOT APPLICABLE | 34566-4883 | 9 | A | BLACK | 72 | | | | 69 | | 67 | | 65 | | 63 | | | 60 | | | 57 | 56 | | | 53 | | |
| | | | | | | | | | 49 | | 47 | 46 | | 44 | 43 | | | 40 | | | | 37 | 36 | 35 | | | | 33 |
| | | | | | | 73 | | | | 32 | | 30 | 29 | 28 | | | | 24 | | | | 21 | 20 | | | | | 17 |
| | | | | | | 16 | 15 | 14 | 13 | | | | | 11 | 10 | | | | | 5 | 4 | 3 | 2 | 1 | | | | |

MX123 52/66/73/80-WAY RECEPTACLE ASSY SEALED PIN OUT SHEET

| STATUS | GM PART # | HRNS CONN ASSY | | | TPA | GROMMET CAP | | | | | | | | | | | | | | | | | | | | | | | | | |
|----------|----------------|----------------|-------------------|------------------|---------|--------------------|---|----|----|----|----|----|----|----|----|----|----|----|----|----|----|----|----|----|----|----|----|----|----|----|----|
| | | MATERIAL/PART | WIRE DRESS OPTION | KEY OPTION Fp | | COLOR OPTION Fp | NUMBERS INDICATE CAVITIES OPEN FOR CIRCUITS | | | | | | | | | | | | | | | | | | | | | | | | |
| | | NUMBER | | | | | Fp | | | | | | | | | | | | | | | | | | | | | | | | |
| SALEABLE | NOT APPLICABLE | 34566-4893 | 9 | B | ST GRAY | | | | | 68 | 67 | | | 64 | 63 | | | | | 58 | | | 55 | | | | | | | | |
| | | | | | | | | | | | | | | | | | | | | | | | | | | | | | | | |
| | | | | | | | | | | | | | | | | | | | | | | | | | | | | | | | |
| SALEABLE | NOT APPLICABLE | 34566-4913 | 9 | B | ST GRAY | | | | | 68 | 67 | | | 64 | 63 | | | | | 58 | 57 | | 55 | | 53 | | | | | | |
| | | | | | | | | | | | | | | | | | | | | | | | | | | | | | | | |
| | | | | | | | | | | | | | | | | | | | | | | | | | | | | | | | |
| SALEABLE | NOT APPLICABLE | 34566-4923 | 9 | A | BLACK | 72 | | | 69 | | 67 | | 65 | | 63 | | 60 | | 57 | 56 | | | | | 53 | | | | | | |
| | | | | | | | | | 49 | | 47 | | 44 | 43 | | 40 | | 37 | 36 | 35 | | | | | | | | 33 | | | |
| | | | | | | | | | | | | | | | | | | | | | | | | | | | | | | | |
| SALEABLE | NOT APPLICABLE | 34566-4933 | 0 | C | BLUE | 72 | | 70 | | 68 | 67 | 66 | | | 63 | 62 | | 59 | 57 | | | | | | 53 | | | | | | |
| | | | | | | 52 | 51 | | | 48 | 47 | 46 | | 44 | | 40 | 39 | | 37 | 36 | 35 | 34 | 33 | | | | | | | | |
| | | | | | | | | | | | | | | | | | | | | | | | | | | | | | | | |
| SALEABLE | NOT APPLICABLE | 34566-4943 | 0 | A | BLACK | | | 70 | 69 | 68 | 67 | | | | 63 | 62 | 61 | 60 | 59 | 58 | 57 | 56 | 55 | 54 | 53 | | | | | | |
| | | | | | | 52 | 51 | 50 | 49 | | | | 44 | 43 | 42 | 41 | | 39 | 38 | 37 | 36 | | | | | | | | | | |
| | | | | | | | | | | | | | | | | | | | | | | | | | | | | | | | |
| SALEABLE | NOT APPLICABLE | 34566-4953 | 0 | B | ST GRAY | 72 | 71 | 70 | 69 | 68 | 67 | 66 | 65 | 64 | 63 | | | | 59 | | | | | | | 53 | | | | | |
| | | | | | | 52 | 51 | 50 | 49 | 48 | 47 | 46 | 45 | 44 | 43 | | | | 39 | | | | | | | | | 34 | 33 | | |
| | | | | | | | | | | | | | | | | | | | | | | | | | | | | | | | |
| SALEABLE | NOT APPLICABLE | 34566-4963 | 9 | A | BLACK | 72 | | | 69 | | 67 | 66 | 65 | | 63 | | 60 | | 57 | 56 | | | | | 53 | | | | | | |
| | | | | | | | | | 49 | | 47 | 46 | | 44 | 43 | 42 | 40 | | 37 | 36 | 35 | | | | | | | 33 | | | |
| | | | | | | | | | | | | | | | | | | | | | | | | | | | | | | | |
| SALEABLE | NOT APPLICABLE | 34566-4973 | 9 | B | ST GRAY | | | | | 68 | 67 | | | 64 | | | | | 59 | 58 | | | | | 54 | | | | | | |
| | | | | | | | | | | | | | | | | | | | | | | | | | | | | | | | |
| | | | | | | | | | | | | | | | | | | | | | | | | | | | | | | | |
| SALEABLE | NOT APPLICABLE | 34566-4983 | 0 | B | ST GRAY | 72 | | 70 | | 68 | | 66 | | | | | 60 | 59 | | | | | | | 55 | 54 | 53 | | | | |
| | | | | | | 52 | | 50 | | 48 | | 46 | | 44 | | 40 | 39 | | | | | | | | | | | | 35 | 34 | 33 |
| | | | | | | | | | | | | | | | | | | | | | | | | | | | | | | | |
| SALEABLE | NOT APPLICABLE | 34566-4993 | 0 | A | BLACK | 72 | 71 | 70 | 69 | | 67 | | | 64 | 63 | | 60 | 59 | | | | | | | | 56 | 55 | 54 | 53 | | |
| | | | | | | 52 | 51 | | 49 | | 47 | | 45 | 44 | 43 | 42 | 41 | | | | | | | | | | | | | | |
| | | | | | | | | | | | | | | | | | | | | | | | | | | | | | | | |
| SALEABLE | NOT APPLICABLE | 34566-5013 | 9 | B | ST GRAY | | | | | 68 | 67 | | | 64 | 63 | | | 59 | 58 | | | | | | 55 | 54 | | | | | |
| | | | | | | | | | | | | | | | | | | | | | | | | | | | | | | | |
| | | | | | | | | | | | | | | | | | | | | | | | | | | | | | | | |
| SALEABLE | NOT APPLICABLE | 34566-5023 | 0 | C | BLUE | 72 | | 70 | | 68 | 67 | | | 63 | 62 | | 59 | 57 | | | | | | | | 53 | | | | | |
| | | | | | | 52 | 51 | | | 48 | 47 | 46 | | 44 | | 40 | 39 | | 37 | 36 | | | | | | | | | 34 | 33 | |
| | | | | | | | | | | | | | | | | | | | | | | | | | | | | | | | |
| SALEABLE | NOT APPLICABLE | 34566-5033 | 0 | A | BLACK | | | 70 | 69 | | | | | 63 | 62 | 61 | 60 | | 58 | 57 | 56 | 55 | 54 | 53 | | | | | | | |
| | | | | | | 52 | 51 | | 49 | | | | 44 | 43 | 42 | 41 | | | | | | | | | | | | | | | |
| | | | | | | | | | | | | | | | | | | | | | | | | | | | | | | | |
| SALEABLE | NOT APPLICABLE | 34566-5043 | 0 | A | BLACK | | | | | | | | | | | | | | | | | | | | | | | | | | |
| | | | | | | | | | | | | | | | | | | | | | | | | | | | | | | | |
| | | | | | | | | | | | | | | | | | | | | | | | | | | | | | | | |
| SALEABLE | NOT APPLICABLE | 34566-5053 | 0 | B | ST GRAY | | | | | | | | | | | | | | | | | | | | | | | | | | |
| | | | | | | | | | | | | | | | | | | | | | | | | | | | | | | | |
| | | | | | | | | | | | | | | | | | | | | | | | | | | | | | | | |

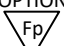
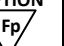

MX123 52/66/73/80-WAY RECEPTACLE ASSY SEALED PIN OUT SHEET

| STATUS | GM PART # | HRNS CONN ASSY | | | TPA | GROMMET CAP | | | | | | | | | | | | | | | | | | | | | | |
|----------|----------------|----------------|-------------------|------------------|--------------------|---|----|----|----|----|----|----|----|----|----|----|----|----|----|----|----|----|----|----|----|----|----|----|
| | | MATERIAL/PART | WIRE DRESS OPTION | KEY OPTION Fp | COLOR OPTION Fp | NUMBERS INDICATE CAVITIES OPEN FOR CIRCUITS | | | | | | | | | | | | | | | | | | | | | | |
| | | NUMBER | | | | Fp | | | | | | | | | | | | | | | | | | | | | | |
| SALEABLE | NOT APPLICABLE | 34566-5063 | 9 | H | ST GRAY | 80 | 79 | 78 | 77 | 76 | 75 | 74 | 73 | 72 | 71 | 70 | 69 | 68 | 67 | 66 | 65 | 64 | 63 | 62 | 61 | | | |
| | | | | | | 60 | 59 | 58 | 57 | 56 | 55 | 54 | 53 | 52 | 51 | 50 | 49 | 48 | 47 | 46 | 45 | 44 | 43 | 42 | 41 | 40 | | |
| | | | | | | 40 | 39 | 38 | 37 | | 35 | 34 | 33 | 32 | | 30 | 29 | | 27 | 26 | | 24 | 23 | 22 | 21 | | | |
| | | | | | | 20 | 19 | 18 | 17 | | | 14 | 13 | 12 | 11 | 10 | 9 | 8 | | 6 | 5 | | | 3 | 2 | | | |
| SALEABLE | NOT APPLICABLE | 34566-5073 | 9 | A | BLACK | 72 | 71 | 70 | 69 | 68 | 67 | 66 | 65 | 64 | 63 | 62 | 61 | 60 | 59 | 58 | 57 | 56 | 55 | 54 | 53 | | | |
| | | | | | | 52 | 51 | 50 | 49 | 48 | 47 | 46 | 45 | 44 | 43 | 42 | 41 | 40 | 39 | 38 | 37 | 36 | | 34 | 33 | | | |
| | | | | | | 73 | | | | 32 | 31 | 30 | 29 | 28 | 27 | 26 | | 24 | 23 | 22 | 21 | 20 | 19 | 18 | | | | |
| | | | | | | 73 | | | | 16 | | | | 13 | 12 | 11 | 10 | 9 | 8 | | | | | | | | | 1 |
| SALEABLE | NOT APPLICABLE | 34566-5083 | 9 | A | BLACK | | | 70 | 69 | | | | | | 63 | 62 | 61 | 60 | | 58 | 57 | 56 | 55 | 54 | 53 | | | |
| | | | | | | 52 | 51 | | 49 | | | | 44 | 43 | 42 | 41 | | | 38 | 37 | | | | | 34 | | | |
| | | | | | | 73 | | | | 32 | | | | 29 | 28 | 27 | 26 | | | 23 | | | | | | 19 | 18 | |
| | | | | | | 73 | | | | 16 | 15 | | | 13 | 12 | 11 | 10 | | 8 | | | | | | | 3 | | |
| SALEABLE | NOT APPLICABLE | 34566-5093 | 0 | B | ST GRAY | 72 | 71 | 70 | 69 | 68 | 67 | 66 | 65 | 64 | 63 | 62 | 61 | 60 | 59 | 58 | 57 | 56 | 55 | 54 | 53 | | | |
| | | | | | | 52 | 51 | 50 | 49 | 48 | 47 | 46 | 45 | 44 | 43 | 42 | 41 | 40 | 39 | 38 | 37 | 36 | 35 | 34 | 33 | | | |
| | | | | | | 73 | | | | | | | | 29 | | 27 | | | | 23 | 22 | 21 | | | | | 18 | |
| | | | | | | 73 | | | | 16 | 15 | 14 | 13 | | | | | | 8 | 7 | 6 | 5 | 4 | 3 | | | | |
| SALEABLE | NOT APPLICABLE | 34566-5113 | 0 | A | BLACK | 72 | 71 | 70 | 69 | 68 | 67 | 66 | | 64 | 63 | 62 | | 60 | 59 | | | | 55 | 54 | 53 | | | |
| | | | | | | 52 | | | 49 | 48 | | | | 44 | 43 | 42 | 41 | 40 | 39 | | | | | 35 | 34 | 33 | | |
| | | | | | | 73 | | | | 32 | | | | 29 | | 27 | | 25 | 24 | 23 | | | | | 19 | 18 | 17 | |
| | | | | | | 73 | | | | 16 | | | | 13 | 12 | 11 | 10 | | 9 | 8 | 7 | 6 | 5 | 4 | 3 | 2 | 1 | |
| SALEABLE | NOT APPLICABLE | 34566-5123 | 9 | C | BLUE | 72 | | 70 | | 68 | 67 | 66 | | | 63 | 62 | | 59 | | 57 | | | | 53 | | | | |
| | | | | | | 52 | 51 | | | 48 | 47 | 46 | 45 | 44 | | | | 40 | 39 | 38 | 37 | 36 | | | 34 | 33 | | |
| | | | | | | 73 | | | | 32 | | 30 | | | | 27 | 26 | 25 | 24 | | 22 | 21 | 20 | | | | | |
| | | | | | | 73 | | | | | 15 | 14 | | | | | 10 | 9 | 8 | | 6 | 5 | 4 | | | 2 | | |
| SALEABLE | NOT APPLICABLE | 34566-5133 | 9 | B | ST GRAY | 72 | 71 | 70 | | 68 | 67 | 66 | | | | 62 | 61 | 60 | 59 | 58 | 57 | 56 | 55 | 54 | 53 | | | |
| | | | | | | 52 | 51 | 50 | | 48 | 47 | 46 | | | | 42 | 41 | 40 | 39 | 38 | 37 | 36 | 35 | 34 | 33 | | | |
| | | | | | | 73 | | | | 32 | 31 | 30 | 29 | 28 | 27 | 26 | 25 | 24 | 23 | | | | | | | | | |
| | | | | | | 73 | | | | 16 | 15 | 14 | 13 | | | | | 10 | 9 | 8 | | | | | | | | |
| SALEABLE | NOT APPLICABLE | 34566-5143 | 0 | C | BLUE | 72 | | 70 | | 68 | 67 | 66 | | | 63 | 62 | | 59 | | 57 | | | | 53 | | | | |
| | | | | | | 52 | 51 | | | 48 | 47 | 46 | | 44 | | 42 | | 40 | 39 | | 37 | 36 | | | 34 | 33 | | |
| | | | | | | 73 | | | | 32 | | 30 | | | | 26 | 25 | 24 | | 22 | 21 | 20 | | | | | | |
| | | | | | | 73 | | | | | 15 | 14 | | | | | 10 | 9 | 8 | | 6 | 5 | 4 | | | 2 | | |
| SALEABLE | NOT APPLICABLE | 34566-5153 | 0 | A | BLACK | | | 70 | 69 | | | | | | 63 | 62 | 61 | 60 | | 58 | 57 | 56 | 55 | 54 | 53 | | | |
| | | | | | | 52 | 51 | | 49 | | 47 | | | 44 | 43 | 42 | 41 | | | 37 | 36 | 35 | 34 | 33 | | | | |
| | | | | | | 73 | | | | 32 | | | | 29 | 28 | 27 | 26 | 25 | | | | | | | 19 | 18 | | |
| | | | | | | 73 | | | | 16 | 15 | | | 13 | 12 | 11 | 10 | | | | | | | | | 3 | | |
| SALEABLE | NOT APPLICABLE | 34566-5163 | 9 | A | BLACK | 72 | | | 69 | | 67 | | 65 | | 63 | | | 60 | | | 57 | 56 | | | 53 | | | |
| | | | | | | | | | 49 | | 47 | | | 44 | 43 | | | 40 | | | 37 | 36 | 35 | | | 33 | | |
| | | | | | | 73 | | | | | 31 | 30 | 29 | 28 | | | | 24 | | | 21 | 20 | | | | | 17 | |
| | | | | | | 73 | | | | 16 | 15 | 14 | | | | 11 | 10 | | | | 5 | 4 | 3 | 2 | 1 | | | |
| SALEABLE | NOT APPLICABLE | 34566-5173 | 9 | B | ST GRAY | | | | | 68 | 67 | | | 64 | 63 | | | 59 | | 57 | | | | | | | | |
| | | | | | | | | | | | | 46 | 45 | | 43 | | | 39 | | 37 | | | | | | | | |
| | | | | | | 73 | | | | 32 | | 30 | 29 | 28 | 27 | | | | | 21 | | | | | | | | |
| | | | | | | 73 | | | | | | | | | | | 10 | | | | 6 | 5 | 4 | 3 | | | | |
| SALEABLE | NOT APPLICABLE | 34566-5183 | 0 | B | ST GRAY | | | | | 68 | 67 | | | 64 | | | | 59 | 58 | | | | | 54 | | | | |
| | | | | | | | | | | | | 46 | 45 | 44 | | | | 39 | 38 | | | | | | | | | |
| | | | | | | 73 | | | | 32 | | 30 | 29 | 28 | 27 | | | | | 23 | 22 | | | | | | | 17 |
| | | | | | | 73 | | | | | | | | | 12 | | 10 | | 8 | | | | | | | | | |
| SALEABLE | NOT APPLICABLE | 34566-5193 | 0 | A | BLACK | | | 70 | 69 | | | | | | 63 | 62 | 61 | 60 | | 58 | 57 | 56 | 55 | 54 | 53 | | | |
| | | | | | | 52 | 51 | | 49 | | | | | 44 | 43 | 42 | 41 | | | | 37 | 36 | | | 34 | | | |
| | | | | | | 73 | | | | 32 | | | | 29 | 28 | 27 | 26 | | | | | | | | 19 | 18 | 17 | |
| | | | | | | 73 | | | | 16 | 15 | | | 13 | 12 | 11 | 10 | | | | | | | | 3 | 2 | 1 | |
| SALEABLE | NOT APPLICABLE | 34566-5213 | 0 | A | BLACK | 72 | 71 | 70 | 69 | 68 | 67 | 66 | 65 | 64 | 63 | 62 | 61 | 60 | 59 | | | | 55 | 54 | 53 | | | |
| | | | | | | 52 | | | 49 | 48 | | | | 44 | 43 | 42 | 41 | 40 | 39 | | | | | 35 | 34 | 33 | | |
| | | | | | | 73 | | | | 32 | | | | 29 | | 27 | | 25 | 24 | 23 | | | | | 19 | 18 | 17 | |
| | | | | | | 73 | | | | 16 | | | | 13 | 12 | 11 | | 9 | 8 | 7 | 6 | 5 | 4 | 3 | 2 | 1 | | |
| SALEABLE | NOT APPLICABLE | 34566-5223 | 0 | C | BLUE | 72 | | 70 | | | 67 | 66 | | | 63 | 62 | | | 59 | | 57 | | | | 53 | | | |
| | | | | | | 52 | 51 | | | 48 | | 46 | | 44 | | 42 | | 40 | 39 | | | | | | 34 | 33 | | |
| | | | | | | 73 | | | | 32 | | 30 | | | | 27 | 26 | 25 | | | 22 | 21 | | | | | | |
| | | | | | | 73 | | | | | 15 | 14 | | | | | 10 | 9 | | | 6 | 5 | 4 | | | | | |

MX123 52/66/73/80-WAY RECEPTACLE ASSY SEALED PIN OUT SHEET

| STATUS | GM PART # | HRNS CONN ASSY | | | TPA | GROMMET CAP | | | | | | | | | | | | | | | | | | | | | | |
|----------|----------------|----------------|-------------------|------------------|--------------------|---|----|----|----|----|----|----|----|----|----|----|----|----|----|----|----|----|----|----|----|----|----|----|
| | | MATERIAL/PART | WIRE DRESS OPTION | KEY OPTION Fp | COLOR OPTION Fp | NUMBERS INDICATE CAVITIES OPEN FOR CIRCUITS | | | | | | | | | | | | | | | | | | | | | | |
| | | NUMBER | | | | Fp | | | | | | | | | | | | | | | | | | | | | | |
| SALEABLE | NOT APPLICABLE | 34566-5233 | 0 | C | BLUE | 72 | | 70 | | 68 | 67 | 66 | | | 63 | 62 | | | 59 | | 57 | 56 | 55 | | 53 | | | |
| | | | | | | 52 | 51 | | | 48 | 47 | 46 | | 44 | | 42 | | 40 | 39 | 38 | | 22 | 21 | | 19 | 18 | 34 | 33 |
| | | | | | | 73 | | | | | | 32 | | 30 | | | | 26 | 25 | | | 6 | 5 | 4 | 3 | | | |
| SALEABLE | NOT APPLICABLE | 34566-5243 | 0 | C | BLUE | 72 | 71 | 70 | 69 | 68 | 67 | 66 | 65 | | 63 | 62 | 61 | | 59 | 58 | 57 | 56 | 55 | 54 | 53 | | | |
| | | | | | | | 51 | 50 | 49 | 48 | | 46 | 45 | 44 | 43 | 42 | 41 | 40 | 39 | 38 | | 36 | 35 | 34 | 33 | | | |
| | | | | | | 73 | | | | | | 31 | 30 | 29 | 28 | 27 | 26 | 25 | | 22 | 21 | 20 | 19 | 18 | 17 | | | |
| SALEABLE | NOT APPLICABLE | 34566-5253 | 0 | B | ST GRAY | | | | | | 67 | 66 | | | 63 | | | 59 | 58 | 57 | 56 | 55 | | 53 | | | | |
| | | | | | | | | 50 | 49 | 48 | | 46 | 45 | | 43 | | | 39 | 38 | 37 | 36 | 35 | 34 | 33 | | | | |
| | | | | | | 73 | | | | | | | | 29 | 27 | | | | 23 | 22 | 21 | | | 18 | | | | |
| SALEABLE | NOT APPLICABLE | 34566-5263 | 0 | B | ST GRAY | | | | | | | 66 | | | 63 | | | 59 | 58 | 57 | 56 | 55 | | 53 | | | | |
| | | | | | | | | | | | | 46 | 45 | | 43 | | | 39 | 38 | 37 | 36 | 35 | 34 | 33 | | | | |
| | | | | | | 73 | | | | | | 16 | 15 | 14 | 13 | | | | 8 | 7 | 6 | 5 | 4 | 3 | | | | |
| SALEABLE | NOT APPLICABLE | 34566-5273 | 0 | A | BLACK | | | 70 | 69 | | | | | | 63 | 62 | 61 | 60 | | 58 | 57 | 56 | 55 | 54 | 53 | | | |
| | | | | | | 52 | 51 | | 49 | | | | | 44 | 43 | 42 | 41 | | | | 37 | 36 | | 34 | | | | |
| | | | | | | 73 | | | | | | 32 | | | 29 | 28 | 27 | 26 | | 23 | | | | 19 | 18 | | | |
| SALEABLE | NOT APPLICABLE | 34566-5283 | 0 | C | BLUE | | | 70 | | 68 | 67 | 66 | | | 63 | 62 | | | 59 | | 57 | 56 | 55 | 54 | 53 | | | |
| | | | | | | 52 | 51 | | | 48 | 47 | 46 | | 44 | | 42 | | 40 | 39 | | | | | | 34 | 33 | | |
| | | | | | | 73 | | | | | | 32 | | 30 | | | | 26 | 25 | | | 22 | 21 | | 19 | 18 | | |
| SALEABLE | NOT APPLICABLE | 34566-5293 | 0 | A | BLACK | | | 70 | 69 | | | | | | 63 | 62 | 61 | 60 | | 58 | 57 | 56 | 55 | 54 | 53 | | | |
| | | | | | | 52 | 51 | | 49 | | | | | 44 | 43 | 42 | 41 | 40 | | | 37 | 36 | | 34 | | | | |
| | | | | | | 73 | | | | | | 32 | | | 29 | 28 | 27 | 26 | | | | | 19 | 18 | 17 | | | |
| SALEABLE | NOT APPLICABLE | 34566-5313 | 0 | C | BLUE | | | 70 | | 68 | 67 | 66 | | | 63 | 62 | | | 59 | | 57 | 56 | 55 | | 53 | | | |
| | | | | | | 52 | 51 | | | 48 | 47 | 46 | | 44 | | 42 | | 40 | 39 | 38 | 37 | 36 | | 34 | 33 | | | |
| | | | | | | 73 | | | | | | 32 | | 30 | | | 27 | 26 | 25 | 24 | | 22 | 21 | | 19 | 18 | | |
| SALEABLE | NOT APPLICABLE | 34566-5323 | 0 | G | BLUE | 80 | | 78 | 77 | | 75 | 74 | 73 | 72 | | 70 | 69 | | 67 | | 65 | 64 | 63 | 62 | | | | |
| | | | | | | 60 | | 58 | 57 | | 55 | 54 | | 52 | 51 | 50 | 49 | | 47 | | 45 | | | | | | | |
| | | | | | | 40 | | 38 | 37 | | | | | 33 | 32 | 31 | | | 27 | 26 | 25 | 24 | | | | | | |
| SALEABLE | NOT APPLICABLE | 34566-5333 | 0 | A | BLACK | | | 70 | 69 | | | | | | 63 | 62 | 61 | 60 | | 58 | 57 | 56 | 55 | 54 | 53 | | | |
| | | | | | | 52 | 51 | | 49 | | | | | 44 | 43 | 42 | 41 | 40 | | | 37 | 36 | | 34 | | | | |
| | | | | | | 73 | | | | | | 32 | | | 29 | 28 | 27 | 26 | | | | | 19 | 18 | 17 | | | |
| SALEABLE | NOT APPLICABLE | 34566-5343 | 0 | B | ST GRAY | | | | | 68 | 67 | | | 64 | | | 59 | 58 | | | | | | 54 | | | | |
| | | | | | | | | | | | | 46 | 45 | | | | | 39 | 38 | | | | | | | | | |
| | | | | | | 73 | | | | | | 32 | | 30 | 29 | 28 | 27 | | | 23 | 22 | | | | | | 17 | |
| SALEABLE | NOT APPLICABLE | 34566-5353 | 9 | B | ST GRAY | | | | | 68 | 67 | | | 64 | 63 | | | 59 | 58 | | | 55 | 54 | | | | | |
| | | | | | | | | | | | | 46 | 45 | 44 | 43 | | | 39 | 38 | | | 35 | 34 | | | | | |
| | | | | | | 73 | | | | | | 32 | | 30 | 29 | 28 | 27 | | | 23 | 22 | | | 19 | | | 17 | |
| SALEABLE | NOT APPLICABLE | 34566-5363 | 0 | C | BLUE | | | 70 | | 68 | | 66 | | | 63 | 62 | | | 59 | | 57 | | | 53 | | | | |
| | | | | | | 52 | 51 | | | 48 | 47 | 46 | | 44 | | 42 | | 40 | 39 | 38 | | | | | 34 | 33 | | |
| | | | | | | 73 | | | | | | 32 | | 30 | | | | 26 | 25 | | | 22 | 21 | | | | | |
| SALEABLE | NOT APPLICABLE | 34566-5373 | 0 | C | BLUE | | | 70 | | 68 | | 66 | | | 63 | 62 | | | 59 | | 57 | | | 53 | | | | |
| | | | | | | 52 | 51 | | | 48 | 47 | 46 | | 44 | | 42 | | 40 | 39 | | | | | | 34 | 33 | | |
| | | | | | | 73 | | | | | | 32 | | 30 | | | | 26 | 25 | | | 22 | 21 | | | | | |
| SALEABLE | NOT APPLICABLE | 34566-5383 | 0 | C | BLUE | | | 70 | | 68 | | 66 | | | 63 | 62 | | | 59 | | 57 | | | 53 | | | | |
| | | | | | | 52 | 51 | | | 48 | 47 | 46 | | 44 | | 42 | | 40 | 39 | | | 37 | 36 | | 34 | 33 | | |
| | | | | | | 73 | | | | | | 32 | | 30 | | | | 26 | 25 | 24 | | 22 | 21 | | | | | |

MX123 52/66/73/80-WAY RECEPTACLE ASSY SEALED PIN OUT SHEET

| STATUS | GM PART # | HRNS CONN ASSY | | | TPA | GROMMET CAP | | | | | | | | | | | | | | | | | | | | | | | | | | | | | | | | |
|----------|----------------|----------------|-------------------|---|---|---|----|----|----|----|--|--|--|--|----|----|----|----|--|--|--|--|--|--|--|--|--|--|----|----|----|----|----|--|--|--|--|--|
| | | MATERIAL/PART | WIRE DRESS OPTION | KEY OPTION | COLOR | NUMBERS INDICATE CAVITIES OPEN FOR CIRCUITS | | | | | | | | | | | | | | | | | | | | | | | | | | | | | | | | |
| | | NUMBER | |  |  |  | | | | | | | | | | | | | | | | | | | | | | | | | | | | | | | | |
| SALEABLE | NOT APPLICABLE | 34566-5393 | 0 | A | BLACK | | | 70 | 69 | | | | | | | | 63 | | | | | | | | | | | | 56 | 55 | 54 | 53 | | | | | | |
| | | | | | | 52 | 51 | | 49 | | | | | | 44 | 43 | 42 | 41 | | | | | | | | | | | | | 36 | | | | | | | |
| | | | | | | 73 | | | | | | | | | | | | | | | | | | | | | | | | | | | | | | | | |
| SALEABLE | NOT APPLICABLE | 34566-5413 | 0 | A | BLACK | | | 70 | 69 | | | | | | | | 63 | | | | | | | | | | | | | 56 | 55 | 54 | 53 | | | | | |
| | | | | | | 52 | 51 | | 49 | | | | | | 44 | 43 | 42 | 41 | | | | | | | | | | | | | | 36 | | | | | | |
| | | | | | | 73 | | | | | | | | | | | | | | | | | | | | | | | | | | | | | | | | |
| SALEABLE | NOT APPLICABLE | 34566-5423 | 0 | A | BLACK | | | 70 | 69 | | | | | | | | 63 | | | | | | | | | | | | | 56 | 55 | 54 | 53 | | | | | |
| | | | | | | 52 | 51 | | 49 | | | | | | 44 | 43 | 42 | 41 | | | | | | | | | | | | | | 36 | | | | | | |
| | | | | | | 73 | | | | | | | | | | | | | | | | | | | | | | | | | | | | | | | | |
| SALEABLE | NOT APPLICABLE | 34566-5433 | 9 | B | ST GRY | | | | | | | | | | | | | | | | | | | | | | | | | | | | | | | | | |
| | | | | | | | | | | | | | | | | | | | | | | | | | | | | | | | | | | | | | | |
| | | | | | | 73 | | | | | | | | | | | | | | | | | | | | | | | | | | | | | | | | |
| SALEABLE | NOT APPLICABLE | 34566-5443 | 9 | B | ST GRY | | | | | | | | | | | | | | | | | | | | | | | | | | | | | | | | | |
| | | | | | | | | | | | | | | | | | | | | | | | | | | | | | | | | | | | | | | |
| | | | | | | 73 | | | | | | | | | | | | | | | | | | | | | | | | | | | | | | | | |
| SALEABLE | NOT APPLICABLE | 34566-5453 | 0 | B | ST GRY | | | | | | | | | | | | | | | | | | | | | | | | | | | | | | | | | |
| | | | | | | | | | | | | | | | | | | | | | | | | | | | | | | | | | | | | | | |
| | | | | | | 73 | | | | | | | | | | | | | | | | | | | | | | | | | | | | | | | | |
| SALEABLE | NOT APPLICABLE | 34566-5463 | 0 | A | BLACK | 72 | | | 70 | | | | | | | | | | | | | | | | | | | | | | | | | | | | | |
| | | | | | | 52 | | | 49 | | | | | | | | | | | | | | | | | | | | | | | | | | | | | |
| | | | | | | 73 | | | | | | | | | | | | | | | | | | | | | | | | | | | | | | | | |
| SALEABLE | NOT APPLICABLE | 34566-5473 | 0 | A | BLACK | 72 | 71 | 70 | | | | | | | | | | | | | | | | | | | | | | | | | | | | | | |
| | | | | | | 52 | 51 | | | | | | | | | | | | | | | | | | | | | | | | | | | | | | | |
| | | | | | | 73 | | | | | | | | | | | | | | | | | | | | | | | | | | | | | | | | |
| SALEABLE | NOT APPLICABLE | 34566-5483 | 0 | B | ST GRY | 72 | | | 70 | | | | | | | | | | | | | | | | | | | | | | | | | | | | | |
| | | | | | | 52 | | | 50 | | | | | | | | | | | | | | | | | | | | | | | | | | | | | |
| | | | | | | 73 | | | | | | | | | | | | | | | | | | | | | | | | | | | | | | | | |
| SALEABLE | NOT APPLICABLE | 34566-5493 | 0 | A | BLACK | 72 | | | 70 | 69 | | | | | | | | | | | | | | | | | | | | | | | | | | | | |
| | | | | | | 52 | 51 | | 49 | | | | | | | | | | | | | | | | | | | | | | | | | | | | | |
| | | | | | | 73 | | | | | | | | | | | | | | | | | | | | | | | | | | | | | | | | |
| SALEABLE | NOT APPLICABLE | 34566-5513 | 9 | B | ST GRY | | | | | | | | | | | | | | | | | | | | | | | | | | | | | | | | | |
| | | | | | | | | | | | | | | | | | | | | | | | | | | | | | | | | | | | | | | |
| | | | | | | 73 | | | | | | | | | | | | | | | | | | | | | | | | | | | | | | | | |
| SALEABLE | NOT APPLICABLE | 34566-5523 | 9 | A | BLACK | 72 | | | | 69 | | | | | | | | | | | | | | | | | | | | | | | | | | | | |
| | | | | | | | | | 49 | | | | | | | | | | | | | | | | | | | | | | | | | | | | | |
| | | | | | | 73 | | | | | | | | | | | | | | | | | | | | | | | | | | | | | | | | |
| SALEABLE | NOT APPLICABLE | 34566-5533 | 9 | B | ST GRY | | | | | | | | | | | | | | | | | | | | | | | | | | | | | | | | | |
| | | | | | | | | | | | | | | | | | | | | | | | | | | | | | | | | | | | | | | |
| | | | | | | 73 | | | | | | | | | | | | | | | | | | | | | | | | | | | | | | | | |
| SALEABLE | NOT APPLICABLE | 34566-5543 | 9 | A | BLACK | | | | | | | | | | | | | | | | | | | | | | | | | | | | | | | | | |
| | | | | | | | | | | | | | | | | | | | | | | | | | | | | | | | | | | | | | | |
| | | | | | | 73 | | | | | | | | | | | | | | | | | | | | | | | | | | | | | | | | |
| SALEABLE | NOT APPLICABLE | 34566-5553 | 9 | B | ST GRY | | | | | | | | | | | | | | | | | | | | | | | | | | | | | | | | | |
| | | | | | | | | | | | | | | | | | | | | | | | | | | | | | | | | | | | | | | |
| | | | | | | 73 | | | | | | | | | | | | | | | | | | | | | | | | | | | | | | | | |

MX123 52/66/73/80-WAY RECEPTACLE ASSY SEALED PIN OUT SHEET

| STATUS | GM PART # | HRNS CONN ASSY | | | TPA | GROMMET CAP | | | | | | | | | | | | | | | | | | | | | | |
|----------|----------------|----------------|-------------------|------------------|--------------------|---|----|----|----|----|----|----|----|----|----|----|----|----|----|----|----|----|----|----|----|----|----|----|
| | | MATERIAL/PART | WIRE DRESS OPTION | KEY OPTION Fp | COLOR OPTION Fp | NUMBERS INDICATE CAVITIES OPEN FOR CIRCUITS | | | | | | | | | | | | | | | | | | | | | | |
| | | NUMBER | | | | Fp | | | | | | | | | | | | | | | | | | | | | | |
| SALEABLE | NOT APPLICABLE | 34566-5563 | 0 | A | BLACK | 72 | 71 | 70 | 69 | | | | | 64 | 63 | | | 60 | 59 | 58 | 57 | 56 | 55 | 54 | 53 | | | |
| | | | | | | 52 | 51 | | 49 | 48 | 47 | | 45 | 44 | 43 | 42 | 41 | | | | | | | 37 | 36 | | 34 | 33 |
| | | | | | | 73 | | | | 32 | | 30 | | 28 | | 26 | | | | | | | | | | 19 | 18 | 17 |
| SALEABLE | NOT APPLICABLE | 34566-5573 | 0 | C | BLUE | 72 | | 70 | | 68 | | 66 | | | 63 | 62 | | | 59 | 58 | 57 | 56 | 55 | | 53 | | | |
| | | | | | | 52 | 51 | | 49 | 48 | 47 | 46 | | 44 | | 42 | | 40 | 39 | 38 | 37 | 36 | | | 34 | 33 | | |
| | | | | | | 73 | | | | 32 | | 30 | | | | 26 | 25 | 24 | 23 | 22 | 21 | 20 | 19 | 18 | 17 | | | |
| SALEABLE | NOT APPLICABLE | 34566-5583 | 0 | B | ST GRAY | 72 | | 70 | | 68 | | 66 | | 64 | 63 | | | 60 | 59 | | | | | 55 | 54 | 53 | | |
| | | | | | | 52 | | 50 | | 48 | | 46 | | | | | 40 | 39 | | | | | | | 35 | 34 | 33 | |
| | | | | | | 73 | | | | 32 | 31 | 30 | 29 | 28 | 27 | 26 | 25 | 24 | 23 | | | 20 | | | | | | 17 |
| SALEABLE | NOT APPLICABLE | 34566-5593 | 0 | C | BLUE | 72 | | 70 | | 68 | | 66 | | | 63 | 62 | | | 59 | 58 | 57 | | | 55 | | 53 | | |
| | | | | | | 52 | 51 | | | 48 | 47 | 46 | | 44 | | 42 | | 40 | 39 | | | | | | | 34 | 33 | |
| | | | | | | 73 | | | | 32 | | 30 | | | | 26 | 25 | | 23 | 22 | 21 | | | | | | | |
| SALEABLE | NOT APPLICABLE | 34566-5613 | 0 | C | BLUE | 72 | | 70 | | 68 | | 66 | | | 63 | 62 | | | 59 | 58 | 57 | | | 55 | | 53 | | |
| | | | | | | 52 | 51 | | | 48 | 47 | | | 44 | | 42 | | 40 | 39 | | | | | | | 34 | 33 | |
| | | | | | | 73 | | | | 32 | | 30 | | | | 27 | 26 | 25 | 24 | 23 | 22 | 21 | 20 | | | | | 17 |
| SALEABLE | NOT APPLICABLE | 34566-5623 | 0 | C | BLUE | 72 | | 70 | | 68 | | 66 | | | 63 | 62 | | | 59 | 58 | 57 | | | 55 | | 53 | | |
| | | | | | | 52 | 51 | | | 48 | 47 | | | 44 | | 42 | | 40 | 39 | | | | | | | 34 | 33 | |
| | | | | | | 73 | | | | 32 | | 30 | | | | 27 | 26 | 25 | 24 | 23 | 22 | 21 | 20 | | | | | 17 |
| SALEABLE | NOT APPLICABLE | 34566-5633 | 0 | B | ST GRAY | 72 | | | | | | | | | | 62 | 61 | | | | | | | | | | | |
| | | | | | | 52 | | | | 48 | | 46 | | 44 | 43 | | 41 | 40 | | | | | | | | 20 | 19 | 18 |
| | | | | | | 73 | | | | 16 | 15 | 14 | | | | | | | | | | | | | | 4 | | |
| SALEABLE | NOT APPLICABLE | 34566-5643 | 0 | B | ST GRAY | 72 | | | | | | | | | | 62 | 61 | | | | | | | | | | | |
| | | | | | | 52 | | | | 48 | | 46 | | | 43 | | 41 | 40 | | | | | | | | 20 | 19 | 18 |
| | | | | | | 73 | | | | 16 | 15 | 14 | | | | | | | | | | | | | | 4 | | |
| SALEABLE | NOT APPLICABLE | 34566-5653 | 0 | A | BLACK | 72 | 71 | 70 | 69 | 68 | | 66 | 65 | 64 | 63 | | 61 | 60 | | | 57 | 56 | | | 54 | 53 | | |
| | | | | | | 52 | 51 | 50 | 49 | 48 | | 46 | 45 | 44 | 43 | | | 40 | 39 | 38 | 37 | 36 | | | | 34 | 33 | |
| | | | | | | 73 | | | | 32 | 31 | 30 | 29 | 28 | | | 26 | 25 | | 23 | 22 | 21 | | | | | | 17 |
| SALEABLE | NOT APPLICABLE | 34566-5663 | 0 | C | BLUE | | | | 69 | | 67 | 66 | 64 | | 62 | | 60 | | | 57 | | | 55 | 54 | | | | |
| | | | | | | 52 | 51 | 50 | | 48 | | 46 | 45 | 44 | | 42 | | | | | | | | | 37 | 35 | 34 | 33 |
| | | | | | | 73 | | | | 32 | 31 | | | 28 | 27 | 26 | | | | | | | | | | | 19 | 18 |
| SALEABLE | NOT APPLICABLE | 34566-5673 | 0 | C | BLUE | | | | 69 | | 67 | 66 | 64 | | 62 | | 60 | | | 57 | | | 55 | 54 | | | | |
| | | | | | | 52 | 51 | 50 | 49 | 48 | | 46 | 45 | 44 | | 42 | | | | | | | | | 37 | 35 | 34 | 33 |
| | | | | | | 73 | | | | 32 | 31 | | | 28 | 27 | 25 | | | | | | | | | | | | 18 |
| SALEABLE | NOT APPLICABLE | 34566-5683 | 0 | B | ST GRAY | 72 | | | | | | | | | | 62 | 61 | | | | | | | | | | | |
| | | | | | | 52 | | | | 48 | | 46 | | 44 | 43 | | 41 | 40 | | | | | | | | 20 | 19 | 18 |
| | | | | | | 73 | | | | 16 | | 14 | | | | | | | | | | | | | | 4 | | |
| SALEABLE | NOT APPLICABLE | 34566-5693 | 0 | A | BLACK | 72 | 71 | 70 | 69 | 68 | | 66 | 65 | 64 | 63 | | 61 | 60 | | | 57 | 56 | | | 54 | 53 | | |
| | | | | | | 52 | 51 | 50 | 49 | 48 | | 46 | 45 | 44 | 43 | | | 40 | 39 | 38 | 37 | 36 | | | | 34 | 33 | |
| | | | | | | 73 | | | | 32 | 31 | 30 | 29 | 28 | | | 26 | 25 | | 23 | 22 | 21 | 20 | | | | | 17 |
| SALEABLE | NOT APPLICABLE | 34566-5713 | 0 | C | BLUE | | | | 69 | | 67 | 66 | 64 | | 62 | | 60 | | | 57 | | | 55 | 54 | | | | |
| | | | | | | 52 | 51 | 50 | | 48 | | 46 | 45 | 44 | | 42 | | | | | | | | | 37 | 35 | 34 | 33 |
| | | | | | | 73 | | | | 32 | 31 | | | 28 | 27 | 26 | | | | | | | | | | | 19 | 18 |
| SALEABLE | NOT APPLICABLE | 34566-5723 | 0 | C | BLUE | | | | 69 | | 67 | 66 | 64 | | 62 | | 60 | | | 57 | | | 55 | 54 | | | | |
| | | | | | | 52 | 51 | 50 | 49 | 48 | | 46 | 45 | 44 | | 42 | | | | | | | | | 37 | 35 | 34 | 33 |
| | | | | | | 73 | | | | 32 | 31 | | | 28 | 27 | 25 | | | | | | | | | | | | 18 |

MX123 52/66/73/80-WAY RECEPTACLE ASSY SEALED PIN OUT SHEET

| STATUS | GM PART # | HRNS CONN ASSY | | | TPA | GROMMET CAP | | | | | | | | | | | | | | | | | | | | | | | | |
|----------|----------------|---|-------------------|------------------|--------------------|---|----|----|----|----|----|----|----|----|----|----|----|----|----|----|----|----|----|----|----|----|----|----|----|----|
| | | MATERIAL/PART | WIRE DRESS OPTION | KEY OPTION Fp | COLOR OPTION Fp | NUMBERS INDICATE CAVITIES OPEN FOR CIRCUITS | | | | | | | | | | | | | | | | | | | | | | | | |
| | | NUMBER | | | | Fp | | | | | | | | | | | | | | | | | | | | | | | | |
| SALEABLE | NOT APPLICABLE | 34566-5733 | 0 | A | BLACK | 52 | 71 | 70 | 69 | | | | | 64 | 63 | | | 60 | 59 | 58 | 57 | 56 | 55 | 54 | 53 | | | | | |
| | | | | | | | 51 | | 49 | | | | 45 | 44 | 43 | 42 | 41 | | | | | | | | 36 | | | | | |
| | | | | | | 73 | | | | 32 | | 30 | | 28 | | 26 | | | | | | | | | | | 19 | 18 | | |
| SALEABLE | NOT APPLICABLE | 34566-5743 | 0 | A | BLACK | 52 | 71 | 70 | 69 | | 67 | | | 64 | 63 | | | 60 | 59 | | 57 | 56 | 55 | 54 | 53 | | | | | |
| | | | | | | | 51 | | 49 | | | | 45 | 44 | 43 | 42 | 41 | | | | | | | | 37 | 36 | | 34 | | |
| | | | | | | 73 | | | | 32 | | 30 | | 28 | | 26 | | | | | | | | | | | | 19 | 18 | |
| SALEABLE | NOT APPLICABLE | 34566-5753 | 0 | A | BLACK | 52 | 71 | 70 | 69 | | | | | 64 | 63 | | | 60 | 59 | | 57 | 56 | 55 | 54 | 53 | | | | | |
| | | | | | | | 51 | | 49 | | | | 45 | 44 | 43 | 42 | 41 | | | | | | | | | 37 | 36 | | 34 | |
| | | | | | | 73 | | | | 32 | | 30 | | 28 | | 26 | | | | 23 | | 21 | | | | | | 19 | 18 | |
| SALEABLE | NOT APPLICABLE | 34566-5763 | 0 | C | BLUE | 72 | | 70 | | 68 | | 66 | | | 63 | 62 | | | 59 | 58 | 57 | | | | | 53 | | | | |
| | | | | | | 52 | 51 | | | 48 | 47 | 46 | | 44 | | 42 | | 40 | 39 | | | | | | | 37 | 36 | | 34 | |
| | | | | | | 73 | | | | 32 | | 30 | | | 27 | 26 | 25 | 24 | | | 22 | 21 | 20 | | | | | | | 2 |
| SALEABLE | NOT APPLICABLE | 34566-5773 | 0 | C | BLUE | 72 | | 70 | | 68 | | 66 | | | 63 | 62 | | | 59 | 58 | 57 | | | | | 53 | | | | |
| | | | | | | 52 | 51 | | | 48 | 47 | | | 44 | | 42 | | 40 | 39 | | | | | | | | 37 | 36 | | 34 |
| | | | | | | 73 | | | | 32 | | 30 | | | 27 | 26 | 25 | 24 | | | 22 | 21 | 20 | | | | | | | 17 |
| SALEABLE | NOT APPLICABLE | 34566-5783 | 0 | C | BLUE | 72 | | 70 | | 68 | | 66 | | | 63 | 62 | | | 59 | 58 | 57 | | | | | 53 | | | | |
| | | | | | | 52 | 51 | | | 48 | 47 | | | 44 | | 42 | | 40 | 39 | | | | | | | | 37 | 36 | | 34 |
| | | | | | | 73 | | | | 32 | | 30 | | | 27 | 26 | 25 | 24 | | | 22 | 21 | 20 | | | | | | | 2 |
| SALEABLE | NOT APPLICABLE | 34566-5793 SAME AS P/N 34566-4013 | 0 | B | ST GRN | 72 | | 70 | | 68 | | 66 | | | | | 60 | 59 | | | | | | | 55 | 54 | 53 | | | |
| | | | | | | 52 | | 50 | | 48 | | 46 | | | | | 40 | 39 | | | | | | | | | 35 | 34 | 33 | |
| | | | | | | 73 | | | | 32 | 31 | 30 | 29 | 28 | 27 | 26 | 25 | 24 | | | | | | | | | | | | 17 |
| SALEABLE | NOT APPLICABLE | 34566-5813 | 0 | B | ST GRN | 72 | | 70 | | 68 | | 66 | | | | | 60 | 59 | | | | | | | 55 | 54 | 53 | | | |
| | | | | | | 52 | | 50 | | 48 | | 46 | | | | | 40 | 39 | | | | | | | | | 35 | 34 | 33 | |
| | | | | | | 73 | | | | 32 | 31 | 30 | 29 | 28 | 27 | 26 | 25 | 24 | 23 | | | | | | | | | | 19 | 18 |
| SALEABLE | NOT APPLICABLE | 34566-5823 | 0 | A | BLACK | 72 | | 70 | | | | | | | 63 | | | | | | | | | | | | | | | |
| | | | | | | 52 | | | 49 | | | | | 43 | | 41 | | | | | | | | | | | | | | |
| | | | | | | 73 | | | | | 31 | 30 | | 28 | 27 | 26 | | | 23 | | | | | | | | 20 | 19 | | |
| SALEABLE | NOT APPLICABLE | 34566-5833 | 0 | A | BLACK | 72 | | 70 | | | | | | | 63 | | | | | | | | | | | | | | | |
| | | | | | | 52 | | | 49 | | | | | 43 | | 41 | | | | | | | | | | | | | | |
| | | | | | | 73 | | | | | 31 | 30 | | 28 | 27 | 26 | | | 23 | | | | | | | | 20 | 19 | | |
| SALEABLE | NOT APPLICABLE | 34566-5843 | 0 | H | ST GRN | | 79 | | | | | | | | | | | | | | | | | | | | | | | |
| | | | | | | | 59 | | 57 | | | 74 | 73 | 72 | 71 | | | 68 | 67 | | | 65 | 64 | 63 | 62 | 61 | | | | |
| | | | | | | | | 38 | | | | 34 | 33 | | | | | 29 | 27 | | | 25 | | | | | | | | |
| SALEABLE | NOT APPLICABLE | 34566-5853 | 0 | H | ST GRN | | 79 | | | | | | | | | | | | | | | | | | | | | | | |
| | | | | | | | 59 | | 57 | | | 74 | 73 | 72 | 71 | | | 68 | 67 | | | 65 | 64 | 63 | 62 | 61 | | | | |
| | | | | | | | | 38 | | | | 34 | 33 | | | | | 29 | 27 | | | 25 | | | | | | | | |
| SALEABLE | NOT APPLICABLE | 34566-5863 | 0 | C | BLUE | 72 | | 70 | | | | 66 | | | 63 | 62 | | | 59 | | 57 | 56 | 55 | | | 53 | | | | |
| | | | | | | 52 | 51 | | | | | 46 | 44 | | 42 | | 40 | 39 | | | 37 | 36 | | | | | 34 | 33 | | |
| | | | | | | 73 | | | | 32 | | 30 | | | | 26 | 25 | | | 22 | 21 | | | | | | | 19 | 18 | |
| SALEABLE | NOT APPLICABLE | 34566-5873 | 0 | B | ST GRN | | | | | | | | | | | | | | | | | | | | | | | | | |
| | | | | | | | | | | 48 | 47 | 46 | | 44 | 43 | | 41 | 40 | | | | | | | | | 20 | 19 | 18 | |
| | | | | | | 73 | | | | 16 | 15 | 14 | | | | | | | | | | | | | | | | 4 | | |
| SALEABLE | NOT APPLICABLE | 34566-5883 | 0 | B | ST GRN | 72 | | | | | | | | | | 62 | 61 | | | | | | | | | | | | | |
| | | | | | | 52 | | | | 48 | 47 | 46 | | 43 | | 41 | 40 | | | | | | | | | | | | | |
| | | | | | | 73 | | | | | | 30 | | | | | | | | | | | | | | | | 20 | 19 | 18 |

MX123 52/66/73/80-WAY RECEPTACLE ASSY SEALED PIN OUT SHEET

| STATUS | GM PART # | HRNS CONN ASSY | | | TPA | GROMMET CAP | | | | | | | | | | | | | | | | | | | | | |
|----------|----------------|----------------|-------------------|------------------|--------------------|---|----|----|----|----|----|----|----|----|----|----|----|----|----|----|----|----|----|----|----|--|----|
| | | MATERIAL/PART | WIRE DRESS OPTION | KEY OPTION Fp | COLOR OPTION Fp | NUMBERS INDICATE CAVITIES OPEN FOR CIRCUITS | | | | | | | | | | | | | | | | | | | | | |
| | | NUMBER | | | | Fp | | | | | | | | | | | | | | | | | | | | | |
| SALEABLE | NOT APPLICABLE | 34566-5893 | 0 | C | BLUE | 52 | 51 | 50 | 69 | 48 | 67 | 66 | 45 | 44 | 62 | 60 | 57 | 55 | 54 | 33 | 34 | 35 | 19 | 18 | | | |
| | | | | | | 73 | | | 32 | 28 | 27 | 26 | 11 | 10 | 9 | | | | | | | | | | | | |
| | | | | | | | | | | 16 | 15 | 14 | 13 | 12 | 11 | 10 | 9 | | | | | | | | | | |
| SALEABLE | NOT APPLICABLE | 34566-5913 | 0 | C | BLUE | 52 | 51 | 50 | 49 | 68 | 67 | 66 | 64 | 63 | 62 | 61 | 60 | 57 | 54 | 33 | 34 | 35 | 19 | 18 | | | |
| | | | | | | 73 | | | 32 | 28 | 27 | 26 | 25 | 24 | 23 | 22 | 21 | | | | | | | | | | |
| | | | | | | | | | | 16 | 15 | 14 | 13 | 12 | 11 | 10 | 9 | | | | | | | | | | |
| SALEABLE | NOT APPLICABLE | 34566-5933 | 0 | C | BLUE | 72 | | 70 | | 68 | | 66 | | | 63 | 62 | | 59 | 57 | 56 | 55 | | | 34 | 33 | | |
| | | | | | | 52 | 51 | | | 48 | 47 | 46 | | 44 | | 42 | | 40 | 39 | | | | | | | | |
| | | | | | | 73 | | | 32 | | 30 | | | | 26 | 25 | | 23 | 22 | 21 | | | | | | | |
| SALEABLE | NOT APPLICABLE | 34566-5943 | 0 | C | BLUE | 72 | | 70 | | 68 | 67 | 66 | | | 63 | 62 | | 59 | 57 | 56 | 55 | | | 34 | 33 | | |
| | | | | | | 52 | 51 | | 49 | 48 | 47 | 46 | | 44 | | 42 | | 40 | 39 | | | | | | | | |
| | | | | | | 73 | | | 32 | | 30 | | | 27 | 26 | 25 | | 22 | 21 | 20 | | | | | | | |
| SALEABLE | NOT APPLICABLE | 34566-5953 | 0 | A | BLACK | | 71 | 70 | 69 | | | | 65 | 64 | 63 | 62 | 61 | 60 | | 58 | 57 | 56 | 55 | 54 | 53 | | |
| | | | | | | 52 | 51 | | 49 | 48 | 47 | | 45 | 44 | 43 | 42 | 41 | | | | 37 | 36 | | | | | 34 |
| | | | | | | 73 | | | 32 | | 30 | 29 | 28 | 27 | 26 | | 24 | | | | | | | | | | |
| SALEABLE | NOT APPLICABLE | 34566-5963 | 0 | B | ST GRAY | 72 | 71 | 70 | | 68 | 67 | 66 | | | 62 | 61 | 60 | 59 | 58 | 57 | 56 | 55 | 54 | 53 | | | |
| | | | | | | 52 | 51 | 50 | | 48 | 47 | 46 | | | 42 | 41 | 40 | 39 | 38 | 37 | 36 | 35 | 34 | 33 | | | |
| | | | | | | 73 | | | 32 | 31 | 30 | 29 | 28 | 27 | 26 | 25 | 24 | | | | | | | | | | |
| SALEABLE | NOT APPLICABLE | 34566-5973 | 0 | C | BLUE | 72 | | 70 | | 68 | 67 | 66 | | | 63 | 62 | | 59 | 57 | 56 | 55 | | | 34 | 33 | | |
| | | | | | | 52 | 51 | | | 48 | 47 | 46 | | 44 | | 42 | | 40 | 39 | | | | | | | | |
| | | | | | | 73 | | | 32 | | 30 | | | 27 | 26 | 25 | | 22 | 21 | | | | | | | | |
| SALEABLE | NOT APPLICABLE | 34566-5983 | 0 | C | BLUE | | | | 69 | | 67 | 66 | | 64 | | 62 | | 60 | | 57 | 55 | 54 | | | | | |
| | | | | | | 52 | 51 | 50 | | 48 | | 46 | 45 | 44 | | 42 | | | | | 37 | | | | | | 35 |
| | | | | | | 73 | | | 32 | | | | 28 | 27 | 26 | | | | | | | | | | | | |
| SALEABLE | NOT APPLICABLE | 34566-5993 | 0 | A | BLACK | | 71 | 70 | 69 | | 67 | 66 | 65 | | 63 | 62 | 61 | 60 | | 58 | 57 | 56 | 55 | 54 | 53 | | |
| | | | | | | 52 | 51 | 50 | 49 | 48 | 47 | | 45 | 44 | 43 | 42 | 41 | 40 | 39 | | 37 | 36 | 35 | 34 | | | |
| | | | | | | 73 | | | 32 | 31 | 30 | 29 | 28 | 27 | 26 | 25 | 24 | 23 | | 21 | 20 | 19 | 18 | 17 | | | |
| SALEABLE | NOT APPLICABLE | 34566-6013 | 0 | B | ST GRAY | | | | 69 | | 67 | | 65 | | | 61 | 60 | 59 | 58 | 57 | | | | | 54 | | |
| | | | | | | | 51 | 50 | 49 | 48 | 47 | 46 | 45 | | 43 | | 40 | 39 | | 37 | | | | | | | 34 |
| | | | | | | 73 | | | 32 | 31 | 30 | 29 | | | 26 | | 24 | 23 | 22 | 21 | 20 | | | | | | |
| SALEABLE | NOT APPLICABLE | 34566-6023 | 0 | A | BLACK | 72 | 71 | 70 | 69 | 68 | 67 | | | | | | 60 | 59 | 58 | 57 | 56 | | | 54 | 53 | | |
| | | | | | | 52 | 51 | 50 | 49 | 48 | 47 | | 45 | 44 | 43 | | 40 | 39 | 38 | 37 | 36 | 35 | 34 | 33 | | | |
| | | | | | | 73 | | | 32 | 31 | 30 | 29 | 28 | | | | 24 | 23 | 22 | 21 | 20 | 19 | | | | | |
| SALEABLE | NOT APPLICABLE | 34566-6033 | 0 | A | BLACK | | | 70 | 69 | | | | | 63 | 62 | 61 | | | 58 | 57 | 56 | 55 | 54 | 53 | | | |
| | | | | | | 52 | 51 | | 49 | | | | 44 | 43 | 42 | 41 | | | | 37 | 36 | | | | | | 34 |
| | | | | | | 73 | | | 32 | | | 29 | 28 | 27 | 26 | | 8 | | | 5 | | | | | | | |
| SALEABLE | NOT APPLICABLE | 34566-6043 | 0 | B | ST GRAY | | | | | 68 | 67 | 66 | 65 | 64 | | | | | 58 | | | | | | 55 | | |
| | | | | | | | | | | | | 46 | 45 | | | | | | | 38 | | | | | | | 35 |
| | | | | | | 73 | | | 32 | | 30 | 29 | 28 | 27 | | | | | 22 | | | | | | | | |
| SALEABLE | NOT APPLICABLE | 34566-6053 | 0 | B | ST GRAY | | | | | 68 | 67 | 66 | 65 | 64 | | | | | | | | | | | 54 | | |
| | | | | | | 52 | | | | 48 | 47 | 46 | | | 43 | | 41 | 40 | | | | | | | | | 34 |
| | | | | | | 73 | | | | | 30 | | | | | | | | | | | | | | | | |
| SALEABLE | NOT APPLICABLE | 34566-6063 | 0 | C | BLUE | | | | 69 | | 67 | 66 | | 64 | | 62 | | 60 | | 57 | 55 | 54 | | | | | |
| | | | | | | 52 | 51 | 50 | | 48 | | 46 | 45 | 44 | | 42 | | | | 37 | | | | | | | 35 |
| | | | | | | 73 | | | 32 | | | | 28 | 27 | 26 | | | | | | | | | | | | |

MX123 52/66/73/80-WAY RECEPTACLE ASSY SEALED PIN OUT SHEET

| STATUS | GM PART # | HRNS CONN ASSY | | | TPA | GROMMET CAP | | | | | | | | | | | | | | | | | | | | | |
|----------|----------------|----------------|-------------------|------------|---------|---|----|----|----|----|----|----|----|----|----|----|----|----|----|----|----|----|----|----|----|----|----|
| | | MATERIAL/PART | WIRE DRESS OPTION | KEY OPTION | COLOR | NUMBERS INDICATE CAVITIES OPEN FOR CIRCUITS | | | | | | | | | | | | | | | | | | | | | |
| | | NUMBER | | Fp | Fp | Fp | | | | | | | | | | | | | | | | | | | | | |
| SALEABLE | NOT APPLICABLE | 34566-6073 | 0 | C | BLUE | | | | 69 | | 67 | 66 | | 64 | | | 61 | 60 | | | 57 | | | 54 | | | |
| | | | | | | 52 | 51 | 50 | 49 | 48 | | 46 | 45 | 44 | | | 41 | | | | | | 37 | | | 34 | 33 |
| | | | | | | 73 | | | | 32 | | | | 28 | 27 | | 25 | | | | | | | | | | 18 |
| SALEABLE | NOT APPLICABLE | 34566-6083 | 0 | C | BLUE | 72 | | 70 | | 68 | 67 | 66 | | | 63 | 62 | | | 59 | | 57 | | | | 53 | | |
| | | | | | | 52 | 51 | | | 48 | 47 | 46 | | 44 | | 42 | | 40 | 39 | | | 37 | 36 | | 34 | 33 | |
| | | | | | | 73 | | | | 32 | | 30 | | | | 26 | 25 | | | 22 | 21 | | | | | | |
| SALEABLE | NOT APPLICABLE | 34566-6093 | 0 | B | ST GRAY | 72 | | 70 | | | 67 | | | | 63 | 62 | 61 | 60 | 59 | | | | | | | | |
| | | | | | | 52 | | | | | | 46 | | | 43 | | 41 | 40 | | | | | | | | | |
| | | | | | | 73 | | | | | | | | | 27 | | | | | | | | 20 | 19 | 18 | | |
| SALEABLE | NOT APPLICABLE | 34566-6113 | 0 | A | BLACK | 72 | 71 | 70 | 69 | 68 | | 66 | 65 | 64 | 63 | 62 | 61 | 60 | | 58 | 57 | 56 | 55 | 54 | 53 | | |
| | | | | | | 52 | 51 | 50 | 49 | 48 | | 46 | 45 | 44 | 43 | 42 | 41 | 40 | 39 | 38 | 37 | 36 | | 34 | 33 | | |
| | | | | | | 73 | | | | 32 | 31 | 30 | 29 | 28 | 27 | 26 | 25 | | 23 | 22 | 21 | 20 | 19 | 18 | | | |
| SALEABLE | NOT APPLICABLE | 34566-6123 | 0 | C | BLUE | | | | 69 | | 67 | 66 | | 64 | | | 62 | | 60 | | | 57 | | | 54 | | |
| | | | | | | 52 | 51 | 50 | | 48 | | 46 | 45 | 44 | | 42 | | | | | | 37 | | | 34 | 33 | |
| | | | | | | 73 | | | | | | | | 28 | 27 | 26 | | | | | | | | | | | |
| SALEABLE | NOT APPLICABLE | 34566-6133 | 9 | C | BLUE | 72 | | 70 | | 68 | 67 | | | | 63 | 62 | | | 59 | | 57 | | | | 53 | | |
| | | | | | | 52 | 51 | | | 48 | 47 | | | 44 | | 42 | | 40 | 39 | 38 | 37 | 36 | | 34 | 33 | | |
| | | | | | | 73 | | | | 32 | | 30 | | | | 26 | 25 | 24 | | 22 | 21 | | | | | | |
| SALEABLE | NOT APPLICABLE | 34566-6173 | 9 | B | ST GRAY | | | | | 67 | 66 | | | | | | | | | | | | | | | | |
| | | | | | | | | | | 48 | 47 | | | | | 41 | | | | | | | | | | | |
| | | | | | | 73 | | | | 32 | 31 | 30 | 29 | | 27 | 26 | 25 | 24 | | 22 | 21 | | 19 | 18 | 17 | | |
| SALEABLE | NOT APPLICABLE | 34566-6183 | 9 | A | BLACK | | | | | | 66 | | | | | | | | | | | | | | | | |
| | | | | | | | | | | 48 | 47 | | | | | 41 | | | | | | | | | | | |
| | | | | | | 73 | | | | 32 | 31 | 30 | 29 | | 27 | 26 | 25 | 24 | | 22 | 21 | | 19 | 18 | 17 | | |
| SALEABLE | NOT APPLICABLE | 34566-6193 | 9 | B | ST GRAY | 72 | 71 | 70 | 69 | 68 | 67 | 66 | 65 | 64 | | 62 | 61 | 60 | 59 | 58 | 57 | 56 | 55 | 54 | | | |
| | | | | | | 52 | 51 | 50 | 49 | | | 46 | | 44 | | | 41 | 40 | | 38 | 37 | 36 | | | | | |
| | | | | | | 73 | | | | 32 | 31 | 30 | 29 | 28 | 27 | 26 | 25 | 24 | | 21 | 20 | | 18 | 17 | | | |
| SALEABLE | NOT APPLICABLE | 34566-6213 | 9 | A | BLACK | | | | | | 67 | 66 | | | | | | | | | | | | | | | |
| | | | | | | | | | | 48 | 47 | | | | | 41 | | | | | | | | | | | |
| | | | | | | 73 | | | | 32 | 31 | 30 | 29 | | 27 | 26 | 25 | 24 | | 22 | 21 | | 19 | 18 | 17 | | |
| SALEABLE | NOT APPLICABLE | 34566-6223 | 9 | C | BLUE | 72 | | 70 | | 68 | | 66 | | | | 63 | 62 | | | 59 | | 57 | | | 53 | | |
| | | | | | | 52 | 51 | | | 48 | 47 | 46 | | 44 | | | | 40 | 39 | | | | | | 34 | 33 | |
| | | | | | | 73 | | | | 32 | | 30 | | | 27 | 26 | 25 | | | 22 | 21 | 20 | | | | | |
| SALEABLE | NOT APPLICABLE | 34566-6233 | 9 | B | ST GRAY | | | | | | 67 | 66 | | | | | | | | | | | | | | | |
| | | | | | | | | | | 48 | | 46 | | | | | 40 | 39 | | | | | 35 | 34 | 33 | | |
| | | | | | | 73 | | | | 32 | 31 | 30 | 29 | 28 | 27 | 26 | 25 | 24 | | 21 | 20 | | 18 | 17 | | | |
| SALEABLE | NOT APPLICABLE | 34566-6243 | 9 | A | BLACK | | 71 | 70 | 69 | | | | | 64 | 63 | | | 60 | 59 | 58 | 57 | 56 | 55 | 54 | 53 | | |
| | | | | | | 52 | 51 | 50 | 49 | | | | 45 | 44 | 43 | 42 | 41 | | 39 | | 37 | 36 | | 34 | | | |
| | | | | | | 73 | | | | 32 | | 30 | | 28 | | 26 | | | | | | | | 19 | 18 | | |
| SALEABLE | NOT APPLICABLE | 34566-6253 | 9 | C | BLUE | | | 70 | | 68 | 67 | 66 | | | 63 | 62 | | | 59 | | 57 | | | | 53 | | |
| | | | | | | 52 | 51 | | 49 | 48 | 47 | 46 | | 44 | | | | 40 | 39 | | | 37 | 36 | | 34 | 33 | |
| | | | | | | 73 | | | | 32 | | 30 | | | 27 | 26 | 25 | 24 | | 22 | 21 | 20 | | | | | |
| SALEABLE | NOT APPLICABLE | 34566-6263 | 9 | B | ST GRAY | | 71 | 70 | | 68 | 67 | 66 | | | | 62 | 61 | 60 | 59 | 58 | 57 | 56 | 55 | 54 | 53 | | |
| | | | | | | 52 | 51 | 50 | | 48 | 47 | 46 | | | | 42 | 41 | 40 | 39 | 38 | 37 | 36 | 35 | 34 | 33 | | |
| | | | | | | 73 | | | | 32 | 31 | 30 | 29 | 28 | 27 | 26 | 25 | 24 | | | | | | | 18 | 17 | |

MX123 52/66/73/80-WAY RECEPTACLE ASSY SEALED PIN OUT SHEET

| STATUS | GM PART # | HRNS CONN ASSY | | | TPA | GROMMET CAP | | | | | | | | | | | | | | | | | | | |
|----------|----------------|----------------|-------------------|------------------|--------------------|---|----|----|----|----|----|----|----|----|----|----|----|----|----|----|----|----|----|----|----|
| | | MATERIAL/PART | WIRE DRESS OPTION | KEY OPTION Fp | COLOR OPTION Fp | NUMBERS INDICATE CAVITIES OPEN FOR CIRCUITS | | | | | | | | | | | | | | | | | | | |
| | | NUMBER | | | | Fp | | | | | | | | | | | | | | | | | | | |
| SALEABLE | NOT APPLICABLE | 34566-6273 | 9 | B | ST GRAY | 71 | 70 | 69 | 65 | 64 | 63 | 62 | 61 | 60 | 58 | 57 | 56 | 55 | 54 | 53 | | | | | |
| | | | | | | 52 | 51 | 50 | 49 | 48 | 47 | 45 | 44 | 43 | 42 | 41 | 40 | 39 | 37 | 36 | 34 | 33 | | | |
| | | | | | | 73 | | | 32 | 30 | 29 | 28 | 27 | 26 | 24 | 19 | 18 | 3 | | | | | | | |
| SALEABLE | NOT APPLICABLE | 34566-6283 | 9 | C | BLUE | 72 | 71 | 70 | 68 | 67 | 66 | 63 | 62 | 59 | 57 | | | | | | | | | | |
| | | | | | | 52 | 51 | | 48 | 47 | 46 | 44 | | 40 | 39 | | | | | | 34 | 33 | | | |
| | | | | | | 73 | | | 32 | 30 | | | 27 | 26 | 25 | 22 | 21 | | | | | | | | |
| SALEABLE | NOT APPLICABLE | 34566-6293 | 9 | B | ST GRAY | 72 | 71 | 70 | 68 | 67 | 66 | 62 | 61 | 60 | 59 | 58 | 57 | 56 | 55 | 54 | 53 | | | | |
| | | | | | | 52 | 51 | 50 | 48 | 47 | 46 | | 42 | 41 | 40 | 39 | 38 | 37 | 36 | 35 | 34 | 33 | | | |
| | | | | | | 73 | | | 32 | 31 | 30 | 29 | 28 | 27 | 26 | 25 | 24 | | | | | | 17 | | |
| SALEABLE | NOT APPLICABLE | 34566-6313 | 9 | B | ST GRAY | 71 | 70 | 69 | | | | 63 | 62 | 61 | 60 | 58 | 57 | 56 | 55 | 54 | 53 | | | | |
| | | | | | | 52 | 51 | 50 | 49 | | | 44 | 43 | 42 | 41 | 39 | 37 | 36 | 34 | 33 | | | | | |
| | | | | | | 73 | | | 32 | | 29 | 28 | 27 | 26 | | | | | | | 19 | 18 | | | |
| SALEABLE | NOT APPLICABLE | 34566-6323 | 9 | B | ST GRAY | 71 | 70 | 69 | | | | 64 | 63 | | 60 | 59 | 58 | 57 | 56 | 55 | 54 | 53 | | | |
| | | | | | | 52 | 51 | 50 | 49 | | | 45 | 44 | 43 | 42 | 41 | 39 | 37 | 36 | | | 34 | | | |
| | | | | | | 73 | | | 32 | | 30 | | 28 | | 26 | | | | | | 19 | 18 | | | |
| SALEABLE | NOT APPLICABLE | 34566-6333 | 9 | C | BLUE | 72 | 71 | 70 | 68 | 67 | 66 | 63 | 62 | 59 | 57 | 56 | 55 | 54 | 53 | | | | | | |
| | | | | | | 52 | 51 | | 48 | 47 | 46 | 44 | | 40 | 39 | | | | | | 34 | 33 | | | |
| | | | | | | 73 | | | 32 | | 30 | | 27 | 26 | 25 | 22 | 21 | | | 19 | 18 | | | | |
| SALEABLE | NOT APPLICABLE | 34566-6343 | 9 | A | BLACK | 71 | 70 | 69 | | | | 64 | 63 | 61 | 60 | 58 | 57 | 56 | 55 | 54 | 53 | | | | |
| | | | | | | 52 | 51 | 50 | 49 | | | 44 | 43 | 42 | 41 | 40 | 39 | 37 | 36 | | | 34 | | | |
| | | | | | | 73 | | | 32 | | 29 | 28 | 27 | 26 | | | | | | 19 | 18 | 17 | | | |
| SALEABLE | NOT APPLICABLE | 34566-6353 | 9 | C | BLUE | 72 | 71 | 70 | 68 | 67 | 66 | 63 | 62 | 59 | 58 | 57 | 56 | 55 | 54 | 53 | | | | | |
| | | | | | | 52 | 51 | | 48 | 47 | 46 | 44 | | 40 | 39 | | | | | | 34 | 33 | | | |
| | | | | | | 73 | | | 32 | | 30 | | 27 | 26 | 25 | 23 | 22 | 21 | 20 | | | 17 | | | |
| SALEABLE | NOT APPLICABLE | 34566-6363 | 9 | B | ST GRAY | 72 | 71 | 70 | 68 | 67 | 66 | | | 60 | 59 | | | 55 | 54 | 53 | | | | | |
| | | | | | | 52 | 51 | 50 | 48 | 47 | 46 | | | 40 | 39 | | | | | 35 | 34 | 33 | | | |
| | | | | | | 73 | | | 32 | 31 | 30 | 29 | 28 | 27 | 26 | 25 | 24 | 23 | | | 19 | 18 | 17 | | |
| SALEABLE | NOT APPLICABLE | 34566-6373 | 9 | A | BLACK | 72 | 71 | 70 | 69 | 67 | | 64 | 63 | 61 | 60 | 59 | 58 | 57 | 56 | 55 | 54 | 53 | | | |
| | | | | | | 52 | 51 | 50 | 49 | 47 | | 45 | 44 | 43 | 42 | 41 | 40 | 39 | 37 | 36 | | | 34 | | |
| | | | | | | 73 | | | 32 | | 30 | | 28 | | 26 | | | 23 | | 21 | 19 | 18 | 17 | | |
| SALEABLE | NOT APPLICABLE | 34566-6383 | 9 | A | BLACK | 72 | 71 | 70 | 69 | 68 | 66 | 65 | 64 | 63 | 61 | 60 | 57 | 56 | 54 | 53 | | | | | |
| | | | | | | 52 | 51 | 50 | 49 | 48 | 46 | 45 | 44 | 43 | 42 | 41 | 40 | 39 | 38 | 37 | 36 | | | 34 | 33 |
| | | | | | | 73 | | | 32 | 31 | 30 | 29 | 28 | | | | 23 | 22 | 21 | | | | | 2 | 1 |
| SALEABLE | NOT APPLICABLE | 34566-6393 | 9 | C | BLUE | 71 | 70 | 69 | 67 | 66 | 65 | 64 | 62 | 61 | 60 | 58 | 57 | 55 | 54 | | | | | | |
| | | | | | | 52 | 51 | 50 | 49 | 48 | 47 | 46 | 45 | 44 | 42 | 41 | | 38 | 37 | | 35 | 34 | 33 | | |
| | | | | | | 73 | | | 32 | | 28 | 27 | 26 | 25 | | | | | | | 19 | 18 | 17 | | |
| SALEABLE | NOT APPLICABLE | 34566-6413 | 9 | B | ST GRAY | 72 | 71 | 70 | 68 | 67 | | 63 | 62 | 61 | 60 | 59 | | | 55 | | | | | | |
| | | | | | | 52 | 51 | | 48 | 47 | 46 | 44 | 43 | 41 | 40 | | | 38 | 37 | 36 | 35 | | | | |
| | | | | | | 73 | | | 32 | | 30 | | 27 | | | | | | | 20 | 19 | 18 | 17 | | |
| SALEABLE | NOT APPLICABLE | 34566-6423 | 9 | C | BLUE | 72 | 71 | 70 | 69 | 67 | 66 | 65 | 64 | | | | | 56 | 54 | | | | | | |
| | | | | | | 52 | 51 | 50 | 49 | 48 | 47 | 46 | 45 | 44 | | | 39 | 38 | | | | | 34 | | |
| | | | | | | 73 | | | 32 | 31 | 30 | 29 | 28 | | 26 | 25 | | 23 | 22 | 21 | | | | 17 | |
| SALEABLE | NOT APPLICABLE | 34566-6433 | 9 | A | BLACK | 72 | 71 | 70 | 67 | 66 | | 63 | 62 | 61 | 60 | 59 | 58 | 57 | 56 | 55 | | | | | |
| | | | | | | 52 | 51 | | 48 | 47 | 46 | | 43 | 42 | 40 | 39 | 38 | 37 | 36 | 35 | | | 18 | 17 | |
| | | | | | | 73 | | | 32 | | | | 28 | 27 | | 9 | 7 | 6 | 5 | | | | 2 | 1 | |




MX123 52/66/73/80-WAY RECEPTACLE ASSY SEALED PIN OUT SHEET

| STATUS | GM PART # | HRNS CONN ASSY | | | TPA | GROMMET CAP | | | | | | | | | | | | | | | | | | | | | |
|----------|----------------|----------------|-------------------|------------------|--------------------|---|----|----|----|----|----|----|----|----|----|----|----|----|----|----|----|----|----|----|----|----|----|
| | | MATERIAL/PART | WIRE DRESS OPTION | KEY OPTION Fp | COLOR OPTION Fp | NUMBERS INDICATE CAVITIES OPEN FOR CIRCUITS | | | | | | | | | | | | | | | | | | | | | |
| | | NUMBER | | | | Fp | | | | | | | | | | | | | | | | | | | | | |
| SALEABLE | NOT APPLICABLE | 34566-6443 | 9 | B | ST GRAY | 72 | 71 | 70 | 69 | 68 | 67 | 66 | 65 | 64 | 63 | | 61 | 60 | | | 57 | 56 | 55 | | | | |
| | | | | | | 52 | 51 | 50 | 49 | 48 | 47 | 46 | 45 | 44 | 43 | | 26 | 25 | 24 | 23 | 22 | 21 | 20 | 19 | 18 | 17 | |
| | | | | | | 73 | | | | 32 | 31 | 30 | 29 | 28 | | 11 | | 9 | 8 | 7 | 6 | 5 | 4 | 3 | 2 | 1 | |
| SALEABLE | NOT APPLICABLE | 34566-6453 | 0 | C | BLUE | | 71 | 70 | 69 | | 67 | | 65 | 64 | | 62 | 61 | 60 | | | 57 | | | 54 | | | |
| | | | | | | 52 | 51 | 50 | 49 | 48 | 47 | 46 | 45 | 44 | | 42 | 41 | | | | 37 | | | | 34 | 33 | |
| | | | | | | 73 | | | | 32 | | | | 28 | 27 | 26 | 25 | | | | | | | | | 18 | 17 |
| SALEABLE | NOT APPLICABLE | 34566-6463 | 0 | B | ST GRAY | 72 | | | | 68 | 67 | | | | | 62 | 61 | | | | | | | 55 | | | |
| | | | | | | 52 | | | | 48 | 47 | 46 | | | 43 | | | | | | | | | | | | |
| | | | | | | 73 | | | | | | 30 | | | | | | | | | | | 20 | 19 | 18 | | |
| SALEABLE | NOT APPLICABLE | 34566-6473 | 9 | C | BLUE | | | 70 | 69 | | 67 | 66 | | 64 | | 62 | | 60 | | | 57 | | 55 | 54 | | | |
| | | | | | | 52 | 51 | 50 | | 48 | | 46 | 45 | 44 | | 42 | | | | | 37 | | | 35 | 34 | 33 | |
| | | | | | | 73 | | | | 32 | | | | 28 | 27 | 26 | | | | | | | | | 19 | 18 | 17 |
| SALEABLE | NOT APPLICABLE | 34566-6483 | 9 | A | BLACK | 72 | 71 | 70 | 69 | 68 | | 66 | 65 | 64 | 63 | | 61 | 60 | | | 57 | 56 | | 54 | 53 | | |
| | | | | | | 52 | 51 | 50 | 49 | 48 | | 46 | 45 | 44 | 43 | | | 40 | 39 | 38 | 37 | 36 | | | 34 | 33 | |
| | | | | | | 73 | | | | 32 | 31 | 30 | 29 | 28 | | 26 | 25 | | 23 | 22 | 21 | 20 | | | | | 2 |
| SALEABLE | NOT APPLICABLE | 34566-6493 | 9 | B | ST GRAY | 72 | | | 70 | | | | | | | 62 | 61 | | | | | | | 55 | | | |
| | | | | | | 52 | | | | 48 | 47 | 46 | | | 43 | | | 41 | 40 | | | | | | | | |
| | | | | | | 73 | | | | | | 30 | | | | | | | | | | | | 20 | 19 | 18 | |
| SALEABLE | NOT APPLICABLE | 34566-6513 | 0 | B | ST GRAY | | | | | 68 | 67 | | | | | 62 | 61 | | | | | | 55 | 54 | | | |
| | | | | | | 52 | | | | | | 46 | | | 43 | | | 40 | | | | | | | | | |
| | | | | | | 73 | | | | 16 | 15 | 14 | | | | | | | 8 | | | | | 4 | 3 | 2 | 1 |
| SALEABLE | NOT APPLICABLE | 34566-6523 | 0 | B | ST GRAY | | | | | 68 | 67 | | | 64 | | | | | 59 | 58 | | | | 54 | | | |
| | | | | | | | | | | | | 46 | 45 | | | | | | 39 | 38 | | | | | | | |
| | | | | | | 73 | | | | 32 | | 30 | 29 | 28 | 27 | | | | 23 | 22 | | | | | | | 17 |
| SALEABLE | NOT APPLICABLE | 34566-6533 | 9 | B | ST GRAY | | | | | 68 | 67 | | | 64 | | | | | | | | | | | | | |
| | | | | | | | | | | | | 46 | 45 | | | | | | | | | | | | | | |
| | | | | | | 73 | | | | 32 | | 30 | 29 | 28 | 27 | | | | | | | | | | | | 17 |
| SALEABLE | NOT APPLICABLE | 34566-6543 | 9 | A | BLACK | | | | | 68 | 67 | | | 64 | | | | | | | | | | | | | |
| | | | | | | | | | | | | 46 | 45 | | | | | | | | | | | | | | |
| | | | | | | 73 | | | | 32 | 31 | 30 | 29 | 28 | | 26 | 25 | | 23 | 22 | 21 | 20 | | | | 2 | |
| SALEABLE | NOT APPLICABLE | 34566-6553 | 9 | A | BLACK | 72 | 71 | 70 | 69 | | 67 | | 64 | 63 | | 61 | 60 | | | 57 | 56 | | 54 | 53 | | | |
| | | | | | | 52 | 51 | 50 | 49 | | 47 | | 45 | 44 | 43 | 42 | 41 | 40 | 39 | 38 | 37 | 36 | | | 34 | | |
| | | | | | | 73 | | | | 32 | | 30 | | 28 | | 26 | | | | | | | | 19 | 18 | 17 | |
| SALEABLE | NOT APPLICABLE | 34566-6563 | 9 | C | BLUE | | | | 70 | | 68 | | 66 | | 63 | 62 | | | 59 | 58 | 57 | | | 53 | | | |
| | | | | | | 52 | 51 | | | 48 | 47 | 46 | | 44 | | | | 40 | 39 | | | | | | | 34 | 33 |
| | | | | | | 73 | | | | 32 | | 30 | | | 27 | 26 | 25 | | 23 | 22 | 21 | 20 | | | | | 17 |
| SALEABLE | NOT APPLICABLE | 34566-6573 | 9 | A | BLACK | | | | | 68 | 67 | | | 64 | 63 | | | 60 | 59 | 58 | 57 | 56 | 55 | 54 | 53 | | |
| | | | | | | 52 | 51 | 50 | 49 | | 47 | | 45 | 44 | 43 | 42 | 41 | 40 | 39 | | 37 | 36 | | | 34 | | |
| | | | | | | 73 | | | | 32 | | 30 | | 28 | | 26 | | | 23 | | 21 | | | 19 | 18 | | |
| SALEABLE | NOT APPLICABLE | 34566-6583 | 9 | A | BLACK | | | | 70 | 69 | | | | | 63 | 62 | 61 | 60 | | 58 | 57 | 56 | 55 | 54 | 53 | | |
| | | | | | | 52 | 51 | 50 | 49 | | | | | 44 | 43 | 42 | 41 | 40 | 39 | | 37 | 36 | | | 34 | | |
| | | | | | | 73 | | | | 32 | | | 29 | 28 | 27 | 26 | | | | | | | | | | 19 | 18 |
| SALEABLE | NOT APPLICABLE | 34566-6593 | 0 | C | BLUE | | | | 69 | | 67 | | | 64 | | 62 | | 60 | | | 57 | | 55 | 54 | | | |
| | | | | | | 52 | 51 | 50 | | 48 | | 46 | 45 | 44 | | 42 | | | | | 37 | | | 35 | 34 | 33 | |
| | | | | | | 73 | | | | 32 | | | | 28 | 27 | 26 | | | | | | | | 20 | 19 | 18 | 17 |

MX123 52/66/73/80-WAY RECEPTACLE ASSY SEALED PIN OUT SHEET

| STATUS | GM PART # | HRNS CONN ASSY | | | TPA | GROMMET CAP | | | | | | | | | | | | | | | | | | | | | | |
|----------|----------------|----------------|-------------------|------------------|--------------------|---|----|----|----|----|----|----|----|----|----|----|----|----|----|----|----|----|----|----|----|----|----|----|
| | | MATERIAL/PART | WIRE DRESS OPTION | KEY OPTION Fp | COLOR OPTION Fp | NUMBERS INDICATE CAVITIES OPEN FOR CIRCUITS | | | | | | | | | | | | | | | | | | | | | | |
| | | NUMBER | | | | Fp | | | | | | | | | | | | | | | | | | | | | | |
| SALEABLE | NOT APPLICABLE | 34566-6613 | 0 | A | BLACK | 72 | 71 | 70 | 69 | | | 66 | | 64 | 63 | | 61 | 60 | | | 57 | 56 | | 54 | 53 | | | |
| | | | | | | 52 | 51 | 50 | 49 | | | 46 | 45 | 44 | 43 | | 26 | 25 | | 23 | 22 | 21 | | | | 34 | 33 | |
| | | | | | | 73 | | | | 32 | 31 | 30 | 29 | 28 | | | 9 | | 7 | 6 | 5 | | | | | | 2 | 1 |
| SALEABLE | NOT APPLICABLE | 34566-6623 | 9 | B | ST GRAY | | | | | 68 | 67 | | 64 | | | | | 59 | 58 | | | | 54 | | | | | |
| | | | | | | | | | | | 46 | 45 | | | | | 39 | 38 | | | | | | | | | | |
| | | | | | | 73 | | | | 32 | | 30 | 29 | 28 | 27 | | | 23 | 22 | | | | | | | | | 17 |
| SALEABLE | NOT APPLICABLE | 34566-6633 | 9 | C | BLUE | | | | 69 | | 67 | 66 | | 64 | | 62 | | 60 | | | 57 | | | 54 | | | | |
| | | | | | | 52 | 51 | 50 | | 48 | | 46 | 45 | 44 | | 42 | | | | | 37 | | | | | 34 | 33 | |
| | | | | | | 73 | | | | | | | | 28 | 27 | 26 | | | | | | | | | | | | |
| SALEABLE | NOT APPLICABLE | 34566-6643 | 9 | C | BLUE | | 71 | | | 68 | 67 | | 65 | 64 | 63 | | 61 | 60 | | 58 | 57 | | | 54 | | | | |
| | | | | | | 52 | 51 | 50 | | 48 | | | 45 | | 43 | | 41 | | | 38 | 37 | | | | | 34 | 33 | |
| | | | | | | 73 | | | | | | | | 28 | 27 | | 25 | | | | | | | | | | | 18 |
| SALEABLE | NOT APPLICABLE | 34566-6653 | 9 | B | ST GRAY | 72 | | | | 68 | | | | | | 62 | 61 | 60 | 59 | | | | | 55 | | | | |
| | | | | | | 52 | | | | 48 | 47 | 46 | | 44 | 43 | | 41 | 40 | | 38 | 37 | 36 | 35 | | | | | |
| | | | | | | 73 | | | | | | 30 | | | | | | | | | | 20 | 19 | 18 | | | | |
| SALEABLE | NOT APPLICABLE | 34566-6663 | 9 | A | BLACK | | | | | 68 | | 66 | 65 | 64 | 63 | | 60 | | | 57 | 56 | | | 54 | | | | |
| | | | | | | 52 | 51 | 50 | 49 | 48 | | 46 | 45 | 44 | 43 | 42 | | 40 | 39 | 38 | 37 | 36 | | | | 34 | | |
| | | | | | | 73 | | | | 32 | 31 | 30 | 29 | 28 | | 26 | 25 | | 23 | 22 | 21 | 20 | | | | | | 2 |
| SALEABLE | NOT APPLICABLE | 34566-6673 | 9 | B | ST GRAY | 72 | 71 | 70 | 69 | 68 | 67 | 66 | 65 | 64 | 63 | | 61 | 60 | 59 | | 57 | 56 | 55 | | | | | |
| | | | | | | 52 | 51 | 50 | 49 | 48 | 47 | 46 | 45 | 44 | 43 | | 41 | 40 | 39 | 38 | 37 | 36 | 35 | 34 | 33 | | | |
| | | | | | | 73 | | | | 32 | 31 | 30 | 29 | 28 | | 26 | | 24 | 23 | 22 | 21 | 20 | 19 | 18 | 17 | | | |
| SALEABLE | NOT APPLICABLE | 34566-6683 | 9 | A | BLACK | | | 70 | | | 67 | | | | | 63 | | 60 | 59 | 58 | 57 | | | | | | | |
| | | | | | | 52 | | | | 48 | 47 | 46 | | | 43 | 42 | | 40 | 39 | 38 | 37 | | | | | | | |
| | | | | | | 73 | | | | 32 | 31 | 30 | 29 | 28 | 27 | | | | | 22 | 21 | | | | | | | 2 |
| SALEABLE | NOT APPLICABLE | 34566-6693 | 9 | C | BLUE | 72 | 71 | 70 | 69 | | 67 | 66 | 65 | 64 | | | | | | 56 | | | | 54 | | | | |
| | | | | | | 52 | 51 | 50 | 49 | | 47 | 46 | 45 | 44 | | | | | 39 | 38 | | | | | | 34 | | |
| | | | | | | 73 | | | | | | 31 | 30 | 29 | 28 | | 26 | 25 | 24 | 23 | 22 | 21 | | | | | | 17 |
| SALEABLE | TBD | 34822-0063 | 9 | A | BLACK | | 63 | 62 | 61 | 60 | 59 | | | | | 54 | 53 | | 51 | | 49 | | 66 | | | | | |
| | | | | | | | 47 | | | | | | | | | 38 | 37 | | 35 | | 33 | | | | | | | |
| | | | | | | 65 | | | | | | | | 28 | | | 25 | | | 22 | 21 | 20 | 19 | 18 | 17 | | | |
| SALEABLE | NOT APPLICABLE | 34566-6713 | 9 | A | BLACK | 72 | 71 | 70 | 69 | 68 | | 66 | 65 | 64 | 63 | | 61 | 60 | | 57 | 56 | | | 54 | 53 | | | |
| | | | | | | 52 | 51 | 50 | 49 | 48 | | 46 | 45 | 44 | 43 | 42 | 41 | 40 | 39 | 38 | 37 | 36 | | | | 34 | 33 | |
| | | | | | | 73 | | | | 32 | 31 | 30 | 29 | 28 | | 26 | 25 | | 23 | 22 | 21 | | | | | | 2 | 1 |
| SALEABLE | NOT APPLICABLE | 34566-6723 | 0 | H | ST GRAY | | 79 | | | | | 74 | 73 | | | | | 67 | | 65 | 64 | 63 | 62 | 61 | | | | |
| | | | | | | | 59 | | | | | | 53 | 52 | | | | | | | 25 | | 44 | 43 | 42 | 41 | | |
| | | | | | | | | 38 | | | | | 33 | | | | | | | 27 | | | | | | | | |
| SALEABLE | NOT APPLICABLE | 34566-6733 | 0 | G | BLUE | | | 78 | 77 | | 75 | 74 | | 72 | | 70 | | | | 64 | 63 | | | | | | | |
| | | | | | | 60 | | 58 | 57 | | 55 | 54 | | 52 | 51 | 50 | 49 | | 47 | | 45 | | | | | | | |
| | | | | | | 40 | 39 | 38 | 37 | | | | 33 | 32 | 31 | | | | 27 | 26 | | | | | | | | |
| SALEABLE | NOT APPLICABLE | 34566-6743 | 9 | C | BLUE | | 71 | | 69 | 68 | 67 | | 65 | 64 | 63 | | 61 | 60 | | 57 | | | | 34 | 33 | | | |
| | | | | | | 52 | 51 | 50 | | 48 | | 46 | 45 | | 43 | | 41 | | | 37 | | | | | | | | |
| | | | | | | 73 | | | | 16 | 15 | 14 | 13 | 12 | 11 | 10 | 9 | 8 | 7 | | | | | | | | | |
| SALEABLE | NOT APPLICABLE | 34566-6753 | 9 | A | BLACK | 72 | 71 | 70 | 69 | 68 | | 66 | 65 | 64 | | 61 | 60 | | 57 | 56 | | | 54 | 53 | | | | |
| | | | | | | 52 | 51 | 50 | 49 | 48 | | 46 | 45 | 44 | 43 | 42 | | 40 | 39 | 38 | 37 | 36 | | | | 34 | 33 | |
| | | | | | | 73 | | | | | | 31 | 30 | 29 | 28 | | | | 23 | 22 | 21 | 20 | | | | | | 2 |

MX123 52/66/73/80-WAY RECEPTACLE ASSY SEALED PIN OUT SHEET

| STATUS | GM PART # | HRNS CONN ASSY | | | TPA | GROMMET CAP | | | | | | | | | | | | | | | | | | | | | | | | | | | | | | | | | | | | | | |
|----------|----------------|----------------|-------------------|--|---------|--|---|----|----|----|----|----|----|----|----|----|----|----|----|----|----|--|--|----|----|--|--|--|--|--|--|----|--|--|--|--|--|---|----|----|----|----|----|----|
| | | MATERIAL/PART | WIRE DRESS OPTION | KEY OPTION  | | COLOR OPTION  | NUMBERS INDICATE CAVITIES OPEN FOR CIRCUITS  | | | | | | | | | | | | | | | | | | | | | | | | | | | | | | | | | | | | | |
| | | NUMBER | | | | | | | | | | | | | | | | | | | | | | | | | | | | | | | | | | | | | | | | | | |
| SALEABLE | NOT APPLICABLE | 34566-6763 | 9 | B | ST GR Y | 72 | | | | 68 | | | | | | | | 62 | 61 | | | | | | | | | | | | | 55 | | | | | | | | | | | | |
| | | | | | | 52 | | | 50 | 49 | | | | | | 46 | 45 | | | | | | | | | | | | | | | | | | | | | | 34 | | | | | |
| | | | | | | 73 | | | | 16 | | | | | | | | | | | | | | 8 | | | | | | | | | | | | | | 6 | 5 | 4 | | | | |
| SALEABLE | NOT APPLICABLE | 34566-6773 | 0 | C | BLUE | 72 | | | 70 | | 68 | | | | | | | 63 | 62 | | | | | | | | | | | | | | | | | | | | | 53 | | | | |
| | | | | | | 52 | 51 | | | 49 | 48 | 47 | 46 | | | | 44 | | | | | | | | | | | | | | | | | | | | | | | 34 | 33 | | | |
| | | | | | | 73 | | | | 32 | | | 30 | | | | | | | | | | | 26 | 25 | | | | | | | | | | | | | | 22 | 21 | 20 | 19 | 18 | 17 |
| SALEABLE | NOT APPLICABLE | 34566-6783 | 0 | B | ST GR Y | 72 | | | 70 | | 68 | | | | | | | | | | | | | | | | | | | | | | | | | | | | | 55 | 54 | 53 | | |
| | | | | | | 52 | | | 50 | | 48 | | 46 | | | | | 43 | | | | | | | | | | | | | | | | | | | | | | | 35 | 34 | 33 | |
| | | | | | | 73 | | | | 32 | 31 | 30 | 29 | 28 | 27 | 26 | 25 | 24 | 23 | | | | | | | | | | | | | | | | | | | | | | | | 17 | |
| SALEABLE | NOT APPLICABLE | 34566-6793 | 0 | B | ST GR Y | 72 | | | 70 | | 68 | | | | | | | | | | | | | | | | | | | | | | | | | | | | | 55 | 54 | 53 | | |
| | | | | | | 52 | | | 50 | | 48 | | 46 | | | | | 43 | | | | | | | | | | | | | | | | | | | | | | | 35 | 34 | 33 | |
| | | | | | | 73 | | | | 32 | 31 | 30 | 29 | 28 | 27 | 26 | 25 | 24 | 23 | | | | | | | | | | | | | | | | | | | | | | | | 17 | |
| SALEABLE | NOT APPLICABLE | 34566-6813 | 9 | A | BLACK | | 71 | 70 | 69 | 68 | 67 | | | | | | | | | | | | | | | | | | | | | | | | | | | | | | 55 | 54 | 53 | |
| | | | | | | 52 | 51 | 50 | 49 | 48 | 47 | | | | | | | | | | | | | | | | | | | | | | | | | | | | | | | | 34 | |
| | | | | | | 73 | | | | 32 | | | 30 | 29 | 28 | 27 | 26 | 25 | 24 | | | | | | | | | | | | | | | | | | | | | | | | | 18 |
| SALEABLE | NOT APPLICABLE | 34566-6823 | 9 | C | BLUE | 72 | | | 70 | | 68 | 67 | | | | | | | | | | | | | | | | | | | | | | | | | | | | | 53 | | | |
| | | | | | | 52 | 51 | | | 49 | 48 | 47 | 46 | | | | | | | | | | | | | | | | | | | | | | | | | | | | | | 33 | |
| | | | | | | 73 | | | | 32 | | | 30 | | | | | | | | | | | | | | | | | | | | | | | | | | | | | | | |
| SALEABLE | NOT APPLICABLE | 34566-6833 | 0 | A | BLACK | | | 70 | 69 | | | | | | | | | | | | | | | | | | | | | | | | | | | | | | | | 53 | | | |
| | | | | | | 52 | 51 | | | 49 | 48 | 47 | | | | | | | | | | | | | | | | | | | | | | | | | | | | | | | 33 | |
| | | | | | | 73 | | | | 32 | | | | | | | | | | | | | | | | | | | | | | | | | | | | | | | | | | 18 |
| SALEABLE | NOT APPLICABLE | 34566-6843 | 0 | A | BLACK | 72 | 71 | 70 | 69 | 68 | | | | | | | | | | | | | | | | | | | | | | | | | | | | | | | 53 | | | |
| | | | | | | 52 | 51 | 50 | 49 | 48 | | | | | | | | | | | | | | | | | | | | | | | | | | | | | | | | | 33 | |
| | | | | | | 73 | | | | 32 | 31 | 30 | 29 | 28 | | | | | | | | | | | | | | | | | | | | | | | | | | | | | | |
| SALEABLE | NOT APPLICABLE | 34566-6853 | 0 | C | BLUE | | | | | 69 | | | | | | | | | | | | | | | | | | | | | | | | | | | | | | | 53 | | | |
| | | | | | | 52 | 51 | 50 | 49 | 48 | | | | | | | | | | | | | | | | | | | | | | | | | | | | | | | | | 33 | |
| | | | | | | 73 | | | | 32 | | | | | | | | | | | | | | | | | | | | | | | | | | | | | | | | | | 17 |
| SALEABLE | NOT APPLICABLE | 34566-6863 | 0 | A | BLACK | 72 | 71 | 70 | 69 | 68 | | | | | | | | | | | | | | | | | | | | | | | | | | | | | | | 53 | | | |
| | | | | | | 52 | 51 | 50 | 49 | 48 | | | | | | | | | | | | | | | | | | | | | | | | | | | | | | | | | 33 | |
| | | | | | | 73 | | | | 32 | 31 | 30 | 29 | 28 | | | | | | | | | | | | | | | | | | | | | | | | | | | | | | |
| SALEABLE | NOT APPLICABLE | 34566-6873 | 9 | B | ST GR Y | 72 | | | | | 68 | 67 | | | | | | | | | | | | | | | | | | | | | | | | | | | | | 53 | | | |
| | | | | | | 52 | | | | | 48 | 47 | 46 | | | | | 44 | | | | | | | | | | | | | | | | | | | | | | | | | 35 | |
| | | | | | | 73 | | | | | | | 30 | | | | | | | | | | | | | | | | | | | | | | | | | | | | | | | 17 |
| SALEABLE | NOT APPLICABLE | 34566-6883 | 9 | A | BLACK | 72 | | | 70 | | | | | | | | | | | | | | | | | | | | | | | | | | | | | | | | 53 | | | |
| | | | | | | 52 | 51 | | | | 48 | 47 | 46 | | | | | | | | | | | | | | | | | | | | | | | | | | | | | | 33 | |
| | | | | | | 73 | | | | | | | | | | | | | | | | | | | | | | | | | | | | | | | | | | | | | | 17 |
| SALEABLE | NOT APPLICABLE | 34566-6893 | 0 | B | ST GR Y | 72 | 71 | 70 | 69 | 68 | 67 | 66 | 65 | 64 | 63 | 62 | 61 | 60 | 59 | | | | | | | | | | | | | | | | | | | | | | | 53 | | |
| | | | | | | 52 | 51 | 50 | 49 | 48 | 47 | 46 | 45 | 44 | 43 | | | | | | | | | | | | | | | | | | | | | | | | | | | | | 33 |
| | | | | | | 73 | | | | 32 | 31 | 30 | 29 | 28 | | | | | | | | | | | | | | | | | | | | | | | | | | | | | | |
| SALEABLE | NOT APPLICABLE | 34566-6913 | 9 | A | BLACK | 72 | 71 | 70 | 69 | 68 | 67 | 66 | 65 | 64 | 63 | | | | | | | | | | | | | | | | | | | | | | | | | | | 53 | | |
| | | | | | | 52 | 51 | 50 | 49 | 48 | 47 | 46 | 45 | 44 | 43 | 42 | | | | | | | | | | | | | | | | | | | | | | | | | | | | 33 |
| | | | | | | 73 | | | | 32 | 31 | 30 | 29 | 28 | 27 | 26 | 25 | | | | | | | | | | | | | | | | | | | | | | | | | | | |
| SALEABLE | NOT APPLICABLE | 34566-6923 | 9 | C | BLUE | 72 | 71 | 70 | 69 | | | | | | | | | | | | | | | | | | | | | | | | | | | | | | | | | 53 | | |
| | | | | | | 52 | 51 | 50 | 49 | 48 | 47 | 46 | 45 | 44 | | | | | | | | | | | | | | | | | | | | | | | | | | | | | | 33 |
| | | | | | | 73 | | | | 32 | 31 | 30 | 29 | 28 | 27 | 26 | 25 | 24 | 23 | 22 | 21 | | | | | | | | | | | | | | | | | | | | | | | |

MX123 52/66/73/80-WAY RECEPTACLE ASSY SEALED PIN OUT SHEET

| STATUS | GM PART # | HRNS CONN ASSY | | | TPA | GROMMET CAP | | | | | | | | | | | | | | | | | | | | | | | |
|----------|----------------|----------------|-------------------|------------------|--------------------|---|----|----|----|----|----|----|----|----|----|----|----|----|----|----|----|----|----|----|----|----|----|----|----|
| | | MATERIAL/PART | WIRE DRESS OPTION | KEY OPTION Fp | COLOR OPTION Fp | NUMBERS INDICATE CAVITIES OPEN FOR CIRCUITS | | | | | | | | | | | | | | | | | | | | | | | |
| | | NUMBER | | | | Fp | | | | | | | | | | | | | | | | | | | | | | | |
| SALEABLE | NOT APPLICABLE | 34566-6933 | 9 | B | ST GRAY | 72 | | | | 68 | 67 | | | | 63 | 62 | 61 | 60 | 59 | | | | 55 | | 53 | | | | |
| | | | | | | 52 | | | | 48 | 47 | 46 | | 44 | 43 | | 41 | 40 | | | | 38 | 37 | 36 | 35 | | | | |
| | | | | | | 73 | | | | | | 30 | | | 27 | | | | | | | 22 | 21 | 20 | 19 | 18 | 17 | | |
| SALEABLE | NOT APPLICABLE | 34566-6943 | 9 | A | BLACK | 72 | 71 | 70 | 69 | 68 | | 66 | 65 | 64 | 63 | | 61 | 60 | | | | 57 | 56 | | 54 | 53 | | | |
| | | | | | | 52 | 51 | 50 | 49 | 48 | | 46 | 45 | 44 | 43 | 42 | 41 | 40 | 39 | 38 | 37 | 36 | | | | 34 | 33 | | |
| | | | | | | 73 | | | | 32 | 31 | 30 | 29 | 28 | | | | | | | 23 | 22 | 21 | | | | | | |
| SALEABLE | NOT APPLICABLE | 34566-6953 | 0 | A | BLACK | 72 | 71 | 70 | 69 | | | 66 | 65 | 64 | 63 | | 61 | 60 | | | | 57 | 56 | | 54 | 53 | | | |
| | | | | | | 52 | 51 | 50 | 49 | | | 46 | 45 | 44 | 43 | | | 40 | 39 | 38 | 37 | 36 | | | | 34 | 33 | | |
| | | | | | | 73 | | | | 32 | 31 | 30 | 29 | 28 | | | 26 | 25 | | 23 | 22 | 21 | 20 | | | | | 2 | 1 |
| SALEABLE | NOT APPLICABLE | 34566-6963 | 0 | B | ST GRAY | 72 | | 70 | | 68 | 67 | | | | | 62 | 61 | | | | | | | 55 | | | | | |
| | | | | | | 52 | | | | 48 | 47 | 46 | | | 43 | | | 40 | | | | | | | | 20 | 19 | 18 | |
| | | | | | | 73 | | | | | | 30 | | | | | | | | | | | | | | | 4 | | 2 |
| SALEABLE | NOT APPLICABLE | 34566-6973 | 0 | C | BLUE | | 71 | 70 | 69 | | | 67 | | 65 | 64 | | 62 | 61 | 60 | | | | 57 | | 55 | 54 | | | |
| | | | | | | 52 | 51 | 50 | 49 | 48 | 47 | 46 | 45 | 44 | | 42 | 41 | | | | | | | | 37 | | 35 | 34 | 33 |
| | | | | | | 73 | | | | 32 | | | | 28 | 27 | 26 | 25 | | | | | | | | | | | 19 | 18 |
| SALEABLE | NOT APPLICABLE | 34566-6983 | 0 | C | BLUE | | 71 | | 69 | | | 67 | | 65 | 64 | | 62 | 61 | 60 | | | | 57 | | 55 | 54 | | | |
| | | | | | | 52 | 51 | 50 | | 48 | 47 | 46 | 45 | 44 | | 42 | | | | | | | | | 37 | | 35 | 34 | 33 |
| | | | | | | 73 | | | | | | | | 28 | 27 | 26 | | | | | | | | | | | | | 18 |
| SALEABLE | NOT APPLICABLE | 34566-6993 | 0 | G | BLUE | | | 78 | 77 | 76 | | | | | | | | | | 67 | 66 | 65 | | | | | | | |
| | | | | | | 40 | 39 | 38 | 37 | 36 | 35 | 34 | 33 | 32 | | | | 29 | 28 | | | | | | 25 | | | 21 | |
| | | | | | | 20 | 19 | 18 | 17 | 16 | 15 | 14 | 13 | 12 | | | | | | | | | | | | | | 3 | 1 |
| SALEABLE | NOT APPLICABLE | 34566-7013 | 9 | A | BLACK | | 71 | 70 | 69 | | | | | 64 | 63 | 62 | 61 | 60 | 59 | 58 | 57 | 56 | 55 | 54 | 53 | | | | |
| | | | | | | 52 | 51 | 50 | 49 | | | | 45 | 44 | 43 | 42 | 41 | | 39 | | | | | | | 37 | 36 | 34 | |
| | | | | | | 73 | | | | 32 | | | 29 | 28 | 27 | 26 | | | | | | | | | | | | 19 | 18 |
| SALEABLE | NOT APPLICABLE | 34566-7023 | 0 | A | BLACK | 72 | 71 | 70 | 69 | 68 | | 66 | 65 | 64 | | | 61 | 60 | | | | | 57 | 56 | | 54 | 53 | | |
| | | | | | | 52 | 51 | 50 | 49 | 48 | | 46 | 45 | 44 | 43 | | | 40 | 39 | 38 | 37 | 36 | | | | | 34 | 33 | |
| | | | | | | 73 | | | | | | 31 | 30 | 29 | 28 | | | 26 | 25 | | 23 | 22 | 21 | 20 | | | | | 2 |
| SALEABLE | NOT APPLICABLE | 34566-7033 | 0 | A | BLACK | | | 70 | 69 | | | | | 65 | | 63 | 62 | 61 | 60 | | | | 58 | 57 | 56 | 55 | 54 | 53 | |
| | | | | | | 52 | 51 | | 49 | | | | | 44 | 43 | 42 | 41 | | | | | | | | 37 | 36 | | 34 | |
| | | | | | | 73 | | | | 32 | | | 29 | 28 | 27 | 26 | | | | | | | | | | 21 | | 19 | 18 |
| SALEABLE | NOT APPLICABLE | 34566-7043 | 0 | B | ST GRAY | 72 | | | | 68 | 67 | | | | 63 | 62 | 61 | 60 | 59 | | | | | | 55 | | | | |
| | | | | | | 52 | | | | | | 46 | | | 43 | | 41 | 40 | | | | | | | | | | | |
| | | | | | | 73 | | | | | | 16 | | 14 | | | 11 | | | 8 | | | | | | | 20 | 19 | 18 |
| SALEABLE | NOT APPLICABLE | 34566-7053 | 0 | C | BLUE | | 71 | | 69 | | | 67 | | 65 | 64 | | 62 | 61 | 60 | | | | 57 | | 54 | | | | |
| | | | | | | 52 | 51 | 50 | 49 | 48 | 47 | 46 | 45 | 44 | | 42 | 41 | | | | | | | | 37 | | 34 | 33 | |
| | | | | | | 73 | | | | 16 | 15 | 14 | 13 | 12 | 11 | 10 | 9 | 8 | 7 | | | | | | | | | | |
| SALEABLE | NOT APPLICABLE | 34566-7063 | 0 | C | BLUE | 72 | | 70 | | 68 | 67 | 66 | | | 63 | 62 | | | 59 | | | | 57 | | | 53 | | | |
| | | | | | | 52 | 51 | | | 48 | 47 | 46 | | 44 | | | | 40 | 39 | | | | | | | | 34 | 33 | |
| | | | | | | 73 | | | | 32 | | 30 | | | | 26 | 25 | | | | | 22 | 21 | | | | | | |
| SALEABLE | NOT APPLICABLE | 34566-7073 | 9 | F | NATURAL | | | | 69 | 68 | | | | | | | | | | | | 58 | 57 | | | 33 | | | |
| | | | | | | 73 | | | | | | 30 | | | | | | | | | | | | | | | 19 | 18 | 17 |
| | | | | | | | | | | | | | | | | | | | | | | | | | | | | 3 | 2 |
| SALEABLE | NOT APPLICABLE | 34566-7083 | 9 | B | ST GRAY | | | | | | | | | | | | | | | | | | | | | | | | |
| | | | | | | 73 | | | | 16 | 15 | 14 | 13 | 12 | 11 | 10 | | | 8 | 7 | | | | | | | 3 | 2 | 1 |

MX123 52/66/73/80-WAY RECEPTACLE ASSY SEALED PIN OUT SHEET

| STATUS | GM PART # | HRNS CONN ASSY | | | TPA | GROMMET CAP | | | | | | | | | | | | | | | | | | | | | | | | | | | |
|----------|----------------|----------------|-------------------|------------------|--------------------|---|----|----|----|----|----|----|----|----|----|----|----|----|----|----|----|----|----|----|----|----|----|----|----|----|----|----|----|
| | | MATERIAL/PART | WIRE DRESS OPTION | KEY OPTION Fp | COLOR OPTION Fp | NUMBERS INDICATE CAVITIES OPEN FOR CIRCUITS | | | | | | | | | | | | | | | | | | | | | | | | | | | |
| | | NUMBER | | | | Fp | | | | | | | | | | | | | | | | | | | | | | | | | | | |
| SALEABLE | NOT APPLICABLE | 34566-7093 | 9 | B | ST GRAY | 72 | 71 | 70 | 69 | 68 | 67 | 66 | 65 | 64 | 63 | | | | | 59 | | | | | | | | | | 53 | | | |
| | | | | | | 52 | 51 | 50 | 49 | 48 | 47 | 46 | 45 | 44 | 43 | | | | | | 39 | | | | | | | | | | | 34 | 33 |
| | | | | | | 73 | | | | | | | 32 | 31 | 30 | 29 | 28 | 27 | 26 | 25 | 24 | 23 | | | | | | | | | | 3 | 2 |
| SALEABLE | NOT APPLICABLE | 34566-7113 | 9 | G | BLUE | 80 | 79 | 78 | | 76 | | | | | 71 | | | | 67 | | | | | | | | | | | | | | |
| | | | | | | 60 | 59 | 58 | 57 | | | 54 | | | 51 | 50 | 49 | 48 | 47 | | | | | | | | | | 44 | | | 41 | |
| | | | | | | 40 | 39 | | 37 | | | | 33 | 32 | | 30 | 29 | 28 | 27 | | | 25 | 24 | | | | | | | | | | |
| SALEABLE | NOT APPLICABLE | 34566-7123 | 9 | G | BLUE | 20 | 19 | 18 | | | | | | | 12 | 11 | | | 9 | 8 | | | 5 | | | | | 3 | 2 | | | | |
| | | | | | | 80 | 79 | 78 | | | | | | | 71 | | | | | 67 | | | | | | | | | | | | | |
| | | | | | | 60 | 59 | 58 | 57 | | | 54 | | | 51 | 50 | 49 | 48 | 47 | | | 44 | | | | | | | | | | | 41 |
| SALEABLE | NOT APPLICABLE | 34566-7123 | 9 | G | BLUE | 40 | 39 | | | | | | 33 | 32 | | 30 | 29 | 28 | 27 | | | 25 | 24 | | | | | | | | | | |
| | | | | | | 20 | 19 | 18 | | | | | | 12 | 11 | | 9 | 8 | | | | 5 | | | | | | | 3 | 2 | | | |
| | | | | | | | | | | | | | | | | | | | | | | | | | | 58 | | | | | | 54 | 53 |
| SALEABLE | NOT APPLICABLE | 34566-7133 | 9 | B | ST GRAY | | | | | | 42 | | | | | | | | | | | | | | | | | | | | | | |
| | | | | | | 73 | | | | | | | | | | 27 | | 25 | | | | | | | | | | | | | | | |
| | | | | | | | | | | | | | | | | | | | | 10 | | | | | | | | | | | | | |
| SALEABLE | NOT APPLICABLE | 34566-7143 | 0 | A | BLACK | 70 | 69 | | | | | | | | 63 | | | 60 | 59 | 58 | 57 | 56 | 55 | 54 | 53 | | | | | | | | |
| | | | | | | 52 | 51 | | 49 | 48 | 47 | | | | 44 | 43 | 42 | 41 | | | | | | | | | | | 37 | 36 | | 34 | 33 |
| | | | | | | 73 | | | | | 32 | | | | | 28 | | | | 26 | | | | | | | | | | | | 19 | 18 |
| SALEABLE | NOT APPLICABLE | 34566-7153 | 0 | C | BLUE | 72 | | 70 | | | | | | | 63 | 62 | | | 59 | 58 | 57 | | | | | | | | | 53 | | | |
| | | | | | | 52 | 51 | | 49 | 48 | 47 | 46 | | 44 | | | 42 | | 40 | 39 | | | 37 | 36 | | | | | | | 34 | 33 | |
| | | | | | | 73 | | | | | 32 | | 30 | | | | 26 | 25 | 24 | | | 22 | 21 | | | | | 19 | 18 | | | 17 | |
| SALEABLE | NOT APPLICABLE | 34566-7163 | 0 | A | BLACK | 72 | | 70 | 69 | 68 | 67 | | | | | | 61 | 60 | | | | | 56 | 55 | 54 | 53 | | | | | | | |
| | | | | | | 52 | | 50 | 49 | 48 | 47 | | | 45 | 44 | 43 | | 41 | 40 | | | | | | | | | | | 35 | 34 | 33 | |
| | | | | | | 73 | | | | | 16 | 15 | | | | | | | | 11 | | | | | | | | | | 20 | 19 | 18 | 17 |
| SALEABLE | NOT APPLICABLE | 34566-7173 | 0 | B | ST GRAY | | | | | | 68 | 67 | 66 | 65 | 64 | 63 | | | | | | | | | | | | | | | | | |
| | | | | | | 73 | | | | | 32 | | 30 | 29 | 28 | 27 | | | | | | | | | | | | 22 | | | | 17 | |
| | | | | | | | | | | | 16 | | | | | | | | | 10 | | | | | | | | | | | | | |
| SALEABLE | NOT APPLICABLE | 34566-7183 | 0 | B | ST GRAY | 72 | 71 | 70 | 69 | 68 | 67 | 66 | 65 | 64 | 63 | 62 | 61 | 60 | 59 | 58 | 57 | 56 | 55 | 54 | 53 | | | | | | | | |
| | | | | | | 52 | 51 | 50 | 49 | 48 | 47 | 46 | 45 | 44 | 43 | 42 | 41 | 40 | 39 | 38 | 37 | 36 | 35 | 34 | 33 | | | | | | | | |
| | | | | | | 73 | | | | | 32 | 31 | 30 | 29 | 28 | 27 | 26 | 25 | 24 | | | 22 | 21 | 20 | 19 | 18 | 17 | | | | | | |
| SALEABLE | NOT APPLICABLE | 34566-7193 | 0 | A | BLACK | 72 | | 70 | 69 | | | | | | 63 | 62 | 61 | 60 | | | | | 58 | 57 | 56 | 55 | 54 | 53 | | | | | |
| | | | | | | 52 | 51 | | 49 | | | | | 44 | 43 | 42 | 41 | | | | | | | | | | | | | 37 | 36 | | 34 |
| | | | | | | 73 | | | | | 32 | | | | 29 | 28 | 27 | 26 | | | | | | | | | | | | | 19 | 18 | 17 |
| SALEABLE | NOT APPLICABLE | 34566-7213 | 0 | A | BLACK | 70 | 69 | | | | | | | | 63 | | | | | | | 58 | | | | | | | | | | | |
| | | | | | | 52 | 51 | | 49 | | 47 | | | | 44 | 43 | 42 | 41 | | | 39 | | | | | | | | | | 36 | 34 | |
| | | | | | | 73 | | | | | 32 | | | | 28 | | 26 | | | | | | | | | | | | | | | 19 | 18 |
| SALEABLE | NOT APPLICABLE | 34566-7223 | 0 | C | BLUE | 72 | | 70 | | | 68 | | 66 | | | 63 | 62 | | | 59 | | 57 | | | | | | | | 53 | | | |
| | | | | | | 52 | 51 | | | 48 | 47 | 46 | | 44 | | | 42 | | 40 | 39 | | | 37 | 36 | | | | | | | 34 | 33 | |
| | | | | | | 73 | | | | | 32 | | 30 | | | | 26 | 25 | 24 | | | 22 | 21 | 20 | | | | | | | | | |
| SALEABLE | NOT APPLICABLE | 34566-7233 | 9 | A | BLACK | 72 | | | | | | | | | | 62 | 61 | | | | | 57 | 56 | 55 | 54 | | | | | | | | |
| | | | | | | 52 | 51 | | | | | 46 | 45 | | | 43 | | | 40 | | | | | 37 | | | | | | | 35 | 34 | |
| | | | | | | 73 | | | | | 32 | | 30 | 29 | | | | 25 | | | | | | | | | | | | | | | |
| SALEABLE | NOT APPLICABLE | 34566-7243 | 9 | A | BLACK | 72 | | | | | | | | | | 62 | 61 | | | | | 58 | 57 | 56 | 55 | 54 | | | | | | | |
| | | | | | | 52 | 51 | | | 48 | | 46 | 45 | | | 43 | | | 41 | 40 | | | | | | | | | | | | 35 | 34 |
| | | | | | | 73 | | | | | 32 | | 30 | 29 | | | | 25 | | | | | | | | | | | | | | | |
| SALEABLE | TBD | 34822-0073 | 0 | A | BLACK | 63 | 62 | 61 | 60 | 59 | | | | | | 54 | 53 | | 51 | | 49 | | | | | | | | | | | | |
| | | | | | | | 47 | | | | | | | | | 38 | 37 | | 35 | | 33 | | | | | | | | | | | 66 | |
| | | | | | | 65 | | | | | | | | | | | | 28 | | | 25 | | | | | 22 | 21 | 20 | 19 | 18 | 17 | | |
| | | | | | | | | 15 | 14 | 13 | | | | | | | | | | | | | | | | | | 3 | 2 | 1 | | | |

MX123 52/66/73/80-WAY RECEPTACLE ASSY SEALED PIN OUT SHEET

| STATUS | GM PART # | HRNS CONN ASSY | | | TPA | GROMMET CAP | | | | | | | | | | | | | | | | | | | | | | | |
|----------|----------------|----------------|-------------------|------------------|---------|--------------------|---|----|----|----|----|----|----|----|----|----|----|----|----|----|----|----|----|----|----|----|----|----|----|
| | | MATERIAL/PART | WIRE DRESS OPTION | KEY OPTION Fp | | COLOR OPTION Fp | NUMBERS INDICATE CAVITIES OPEN FOR CIRCUITS | | | | | | | | | | | | | | | | | | | | | | |
| | | NUMBER | | | | | Fp | | | | | | | | | | | | | | | | | | | | | | |
| SALEABLE | TBD | 34822-0083 | 9 | A | BLACK | 63 | 62 | 61 | 60 | 59 | | | | | 54 | 53 | | 51 | | 49 | 66 | | | | | | | | |
| | | | | | | 47 | | | | | | | | 39 | 38 | 37 | | 35 | | | | | | | | | | | |
| | | | | | | 65 | | | | | | | 28 | | | 25 | | | 22 | 21 | 20 | 19 | 18 | 17 | | | | | |
| SALEABLE | NOT APPLICABLE | 34566-7253 | 0 | B | ST GRAY | 72 | | | | | | | | | 62 | 61 | | | | | | | | | | | | | |
| | | | | | | 52 | | | | 48 | 47 | 46 | | 44 | 43 | | 41 | 40 | | | | | | | | | | | |
| | | | | | | 73 | | | | | | | 30 | | | | | | | | 20 | 19 | 18 | | | | | | |
| SALEABLE | NOT APPLICABLE | 34566-7263 | 0 | C | BLUE | | | | 69 | | 67 | 66 | | 64 | | 62 | | 60 | | | 57 | | 54 | | | | | | |
| | | | | | | 52 | 51 | 50 | | 48 | | 46 | 45 | 44 | | 42 | | | | | | 37 | | | 34 | 33 | | | |
| | | | | | | 73 | | | | | | | 28 | 27 | 26 | | | | | | | | | | | | 18 | | |
| SALEABLE | NOT APPLICABLE | 34566-7273 | 0 | C | BLUE | | | | 69 | | 67 | 66 | | 64 | | 62 | | 60 | | | 57 | | 55 | 54 | | | | | |
| | | | | | | 52 | 51 | 50 | | 48 | | 46 | 45 | 44 | | 42 | | | | | | 37 | | | 35 | 34 | 33 | | |
| | | | | | | 73 | | | | | | | 32 | | | 28 | 27 | 26 | | | | | | | | | 19 | 18 | 17 |
| SALEABLE | NOT APPLICABLE | 34566-7283 | 0 | C | BLUE | | | | 69 | | 67 | 66 | | 64 | | 62 | | 60 | | | 57 | | 55 | 54 | | | | | |
| | | | | | | 52 | 51 | 50 | | 48 | | 46 | 45 | 44 | | 42 | | | | | | 37 | | | 35 | 34 | 33 | | |
| | | | | | | 73 | | | | | | | 16 | 15 | 14 | 13 | 12 | 11 | 10 | 9 | 8 | 7 | | | | | | | |
| SALEABLE | NOT APPLICABLE | 34566-7293 | 9 | A | BLACK | | | | 69 | | 67 | 66 | | 64 | | 62 | | 60 | | | 57 | | 55 | 54 | | | | | |
| | | | | | | 52 | 51 | 50 | 49 | 48 | | 46 | 45 | 44 | 43 | | | | | | | 39 | | | | 34 | 33 | | |
| | | | | | | 73 | | | | | | | 32 | 31 | 30 | 29 | 28 | 27 | 26 | 25 | 24 | 23 | | | | | | | 17 |
| SALEABLE | NOT APPLICABLE | 34566-7313 | 0 | B | ST GRAY | | | | 69 | | 67 | 66 | | 64 | | 62 | | 60 | | | 57 | | 55 | 54 | | | | | |
| | | | | | | 52 | | | | 48 | 47 | 46 | | | 43 | | | 40 | | | | | | | | | | | |
| | | | | | | 73 | | | | | | | 16 | 15 | 14 | 13 | 12 | 11 | 10 | 9 | 8 | 7 | | | | | | | |
| SALEABLE | NOT APPLICABLE | 34566-7333 | 9 | B | ST GRAY | 72 | 71 | 70 | 69 | 68 | 67 | 66 | 65 | 64 | 63 | 62 | 61 | 60 | 59 | | | 57 | 56 | 55 | | | 53 | | |
| | | | | | | 52 | 51 | 50 | 49 | 48 | 47 | 46 | 45 | 44 | 43 | | | | | | | | 39 | 38 | 37 | 36 | 35 | 34 | 33 |
| | | | | | | 73 | | | | | | | 32 | 31 | 30 | 29 | 28 | | 26 | | 24 | 23 | 22 | 21 | 20 | 19 | 18 | 17 | |
| SALEABLE | NOT APPLICABLE | 34566-7343 | 9 | B | ST GRAY | | | | 69 | | 67 | 66 | | 64 | | 62 | | 60 | | | 57 | | 55 | 54 | | | | | |
| | | | | | | 52 | | | | 48 | | 46 | 45 | 44 | 43 | | | | | | | 39 | 38 | | | 35 | | | |
| | | | | | | 73 | | | | | | | 32 | | 30 | 29 | 28 | 27 | | | | 23 | 22 | | | | 19 | | 17 |
| SALEABLE | NOT APPLICABLE | 34566-7353 | 9 | C | BLUE | | | | 69 | | 67 | 66 | | 64 | | 62 | | 60 | | | 57 | | 55 | 54 | | | | | |
| | | | | | | 52 | 51 | 50 | | 48 | 47 | 46 | 45 | 44 | | 42 | | | | | | | 37 | | | 35 | 34 | 33 | |
| | | | | | | 73 | | | | | | | 16 | 15 | 14 | 13 | 12 | 11 | 10 | 9 | 8 | 7 | | | | | 19 | 18 | 17 |
| SALEABLE | NOT APPLICABLE | 34566-7363 | 0 | B | ST GRAY | | | 70 | | | 67 | 66 | | 64 | | 62 | | 60 | | | 57 | | 55 | 54 | | | | | |
| | | | | | | 52 | | | | | | 46 | | 44 | 43 | | | | | | | | | | | | | | |
| | | | | | | 73 | | | | | | | 16 | 15 | 14 | | | | | | 8 | | | | | | 20 | 19 | 18 |
| SALEABLE | NOT APPLICABLE | 34566-7373 | 0 | A | BLACK | 72 | 71 | 70 | 69 | 68 | | 66 | 65 | 64 | | | 61 | 60 | | | 57 | 56 | | | 54 | 53 | | | |
| | | | | | | 52 | 51 | 50 | 49 | 48 | | 46 | 45 | 44 | 43 | 42 | | 40 | 39 | 38 | 37 | 36 | | | | 34 | 33 | | |
| | | | | | | 73 | | | | | | | 31 | 30 | 29 | 28 | | 26 | 25 | | 23 | 22 | 21 | 20 | | | | | |
| SALEABLE | NOT APPLICABLE | 34566-7383 | 0 | C | BLUE | | 71 | 70 | | | 67 | 66 | 65 | 64 | | | 61 | 60 | | | 57 | | | 54 | | | | | |
| | | | | | | 52 | 51 | 50 | 49 | 48 | 47 | | 45 | 44 | | | 41 | | | | | 37 | | | | 34 | 33 | | |
| | | | | | | 73 | | | | | | | 32 | | | 28 | 27 | | 25 | | | | | | | | | | 17 |
| SALEABLE | NOT APPLICABLE | 34566-7393 | 0 | B | ST GRAY | | | | | | 67 | 66 | | 64 | | 62 | | 60 | | | 57 | | 55 | 54 | | | | | |
| | | | | | | 52 | | | | 48 | 47 | 46 | | 44 | 43 | | | | | | | | | | | | | | |
| | | | | | | 73 | | | | | | | 16 | 15 | 14 | | | | | | | | | | | | 20 | 19 | 18 |
| SALEABLE | NOT APPLICABLE | 34566-7413 | 0 | A | BLACK | 72 | 71 | 70 | 69 | 68 | | 66 | 65 | 64 | 63 | | 61 | 60 | | | 57 | 56 | | | 54 | 53 | | | |
| | | | | | | | 51 | 50 | 49 | 48 | | 46 | 45 | 44 | 43 | 42 | | 40 | 39 | 38 | 37 | 36 | | | | 34 | 33 | | |
| | | | | | | 73 | | | | | | | 32 | 31 | 30 | 29 | 28 | | 26 | 25 | | 23 | 22 | 21 | 20 | | | | |

MX123 52/66/73/80-WAY RECEPTACLE ASSY SEALED PIN OUT SHEET

| STATUS | GM PART # | HRNS CONN ASSY | | | TPA | GROMMET CAP | | | | | | | | | | | | | | | | | | | | |
|----------|----------------|---|-------------------|------------------|--------------------|---|----|----|----|----|----|----|----|----|----|----|----|----|----|----|----|----|----|----|----|----|
| | | MATERIAL/PART | WIRE DRESS OPTION | KEY OPTION Fp | COLOR OPTION Fp | NUMBERS INDICATE CAVITIES OPEN FOR CIRCUITS | | | | | | | | | | | | | | | | | | | | |
| | | NUMBER | | | | Fp | | | | | | | | | | | | | | | | | | | | |
| SALEABLE | NOT APPLICABLE | 34566-7423 | 0 | C | BLUE | 52 | 51 | 70 | 69 | 48 | 67 | 46 | 45 | 64 | 61 | 60 | 57 | 54 | 34 | 33 | | | | | | |
| | | | | | | 73 | | | 32 | 28 | 27 | 25 | 37 | 18 | 17 | | | | | | | | | | | |
| | | | | | | 16 | 15 | 14 | 13 | 12 | 11 | 10 | 9 | 8 | 7 | | | | | | | | | | | |
| SALEABLE | NOT APPLICABLE | 34566-7433 | 0 | B | ST GRAY | 72 | | | | 68 | | | | | 62 | 61 | 60 | 59 | 55 | | | | | | | |
| | | | | | | 52 | | | | 48 | 47 | 46 | | 44 | 43 | | 41 | 40 | | 38 | 37 | 36 | 35 | | | |
| | | | | | | 73 | | | 16 | 15 | 14 | | | | | | | 8 | | | | 20 | 19 | 18 | 17 | |
| SALEABLE | NOT APPLICABLE | 34566-7443 | 0 | A | BLACK | 72 | 71 | 70 | 69 | 68 | | 66 | 65 | 64 | 63 | | 60 | | 57 | 56 | 54 | | | | | |
| | | | | | | 52 | 51 | 50 | 49 | 48 | | 46 | 45 | 44 | 43 | 42 | | 40 | 39 | 38 | 37 | 36 | 34 | | | |
| | | | | | | 73 | | | | 31 | 30 | 29 | 28 | | 26 | 25 | | 23 | 22 | 21 | 20 | | | | | |
| SALEABLE | NOT APPLICABLE | 34566-7453 | 0 | C | BLUE | | 71 | 70 | | | 67 | 66 | 65 | 64 | | 61 | 60 | | 58 | 57 | 54 | | | | | |
| | | | | | | 52 | 51 | 50 | 49 | 48 | 47 | | 45 | 44 | | 41 | | | 38 | 37 | | | 34 | 33 | | |
| | | | | | | 73 | | | 32 | | | 28 | 27 | | 25 | | | | | | | | | 18 | 17 | |
| SALEABLE | NOT APPLICABLE | 34566-7463 | 0 | B | ST GRAY | | | | | 68 | | | | | 62 | 61 | | | | 55 | | | | | | |
| | | | | | | 52 | | | | 48 | 47 | 46 | | 43 | | | 40 | | | | | | | | | |
| | | | | | | 73 | | | | | 30 | | | | | | | | 8 | | 6 | 4 | 22 | 21 | 20 | 19 |
| SALEABLE | NOT APPLICABLE | 34566-7473 | 0 | B | ST GRAY | | | | | 68 | 67 | | | | 63 | 62 | 61 | | | 55 | | | | | | |
| | | | | | | 52 | | | | 48 | 47 | 46 | | 43 | | | 40 | | | | | | | | | |
| | | | | | | 73 | | | | | 30 | | | 27 | | | | | | 22 | 21 | 20 | 19 | 18 | | |
| SALEABLE | NOT APPLICABLE | 34566-7483 | 0 | B | ST GRAY | | | | | 68 | | | | | 62 | 61 | | | | 55 | | | | | | |
| | | | | | | 52 | | | | 48 | 47 | 46 | | 43 | | | 40 | | | | | | | | | |
| | | | | | | 73 | | | 16 | 15 | 14 | | | | | | | 8 | | 6 | 4 | 22 | 21 | 20 | 19 | 18 |
| SALEABLE | NOT APPLICABLE | 34566-7493 | 0 | C | BLUE | | | | 69 | | 67 | | | 64 | | 62 | | 60 | | 57 | 55 | 54 | | | | |
| | | | | | | 52 | 51 | 50 | | 48 | 47 | 46 | 45 | 44 | | 42 | | | | | | 37 | | 35 | 34 | 33 |
| | | | | | | 73 | | | 32 | | | 28 | 27 | 26 | | | | | | | | | | | 19 | 18 |
| SALEABLE | NOT APPLICABLE | 34566-7513 | 9 | A | BLACK | 72 | 71 | 70 | 69 | 68 | | 66 | 65 | 64 | 63 | | 61 | 60 | | 57 | 56 | 54 | 53 | | | |
| | | | | | | 52 | 51 | 50 | 49 | 48 | | 46 | 45 | 44 | 43 | | 40 | 39 | 38 | 37 | 36 | | 34 | 33 | | |
| | | | | | | 73 | | | 32 | 31 | 30 | 29 | 28 | | | | | | 23 | 22 | 21 | 20 | | | | |
| SALEABLE | NOT APPLICABLE | 34566-7523 | 0 | A | BLACK | 72 | | | | | | | | 64 | | 62 | 61 | | 59 | 58 | 57 | 56 | 55 | 54 | | |
| | | | | | | 52 | 51 | | | 48 | 47 | 46 | 45 | | 43 | | 41 | 40 | | | | 37 | | | | 33 |
| | | | | | | 73 | | | 32 | | 30 | 29 | | 27 | 26 | 25 | 24 | | | | | | | 20 | | |
| SALEABLE | NOT APPLICABLE | 34566-7533 | 0 | G | BLUE | 80 | 79 | 78 | | | | | | | 71 | 70 | | 67 | | | | | | | | |
| | | | | | | 60 | 59 | 58 | 57 | | | 54 | | | 51 | 50 | 49 | 48 | 47 | | 45 | 44 | | 42 | 41 | |
| | | | | | | 40 | 39 | | 37 | 36 | | 34 | 33 | 32 | | 30 | 29 | 28 | 27 | | 25 | 24 | 23 | 22 | 21 | |
| SALEABLE | NOT APPLICABLE | 34566-7563 SAME AS P/N 34566-1993 | 0 | C | BLUE | 20 | 19 | 18 | | | | | 13 | 12 | 11 | | 9 | 8 | | 5 | | 3 | 2 | 1 | | |
| | | | | | | 73 | | | | | | | | | | | | | | | | | | | | |
| | | | | | | | | | | | | | | | | | | | | | | | | | | |
| SALEABLE | NOT APPLICABLE | 34566-7543 SAME AS P/N 34566-1553 | 0 | A | BLACK | | | | | | | | | | | | | | | | | | | | | |
| SALEABLE | NOT APPLICABLE | 34566-7553 SAME AS P/N 34566-1983 | 0 | B | ST GRAY | | | | | | | | | | | | | | | | | | | | | |
| SALEABLE | NOT APPLICABLE | 34566-7563 SAME AS P/N 34566-1993 | 0 | C | BLUE | | | | | | | | | | | | | | | | | | | | | |
| SALEABLE | NOT APPLICABLE | 34566-7573 | 0 | B | ST GRAY | 72 | | 70 | | 68 | | | | | 62 | 61 | | | | 55 | | | | | | |
| | | | | | | 52 | | | | 48 | 47 | 46 | | 43 | | | 40 | | | | | | | | | |
| | | | | | | 73 | | | | | 30 | | | | | | | | | 22 | 21 | 20 | 19 | 18 | 17 | |

MX123 52/66/73/80-WAY RECEPTACLE ASSY SEALED PIN OUT SHEET

| STATUS | GM PART # | HRNS CONN ASSY | | | TPA | GROMMET CAP | | | | | | | | | | | | | | | | | | | | | |
|----------|----------------|----------------|-------------------|------------------|--------------------|---|----|----|----|----|----|----|----|----|----|----|----|----|----|----|----|----|----|----|----|----|---|
| | | MATERIAL/PART | WIRE DRESS OPTION | KEY OPTION Fp | COLOR OPTION Fp | NUMBERS INDICATE CAVITIES OPEN FOR CIRCUITS | | | | | | | | | | | | | | | | | | | | | |
| | | NUMBER | | | | Fp | | | | | | | | | | | | | | | | | | | | | |
| SALEABLE | NOT APPLICABLE | 34566-7683 | 9 | B | ST GRY | 72 | 71 | 70 | 69 | 68 | 67 | 66 | 65 | 64 | 63 | 62 | 61 | 60 | 59 | | 57 | 56 | 55 | | | | |
| | | | | | | 52 | 51 | 50 | 49 | 48 | 47 | 46 | 45 | 44 | 43 | | 26 | 25 | 24 | 23 | 22 | 21 | 20 | 19 | 18 | 17 | |
| | | | | | | 73 | | | | 32 | 31 | 30 | 29 | 28 | | 11 | | 9 | 8 | 7 | 6 | 5 | 4 | 3 | 2 | 1 | |
| SALEABLE | NOT APPLICABLE | 34566-7693 | 9 | A | BLACK | 72 | | | | | | | 64 | | 62 | 61 | | | 57 | 56 | 55 | 54 | | | | | |
| | | | | | | 52 | 51 | | | | | 46 | 45 | | 43 | | 40 | | | 37 | | 35 | 34 | | | | |
| | | | | | | 73 | | | | 32 | 31 | 30 | 29 | 27 | | 25 | | | | | 20 | | | | | | |
| SALEABLE | NOT APPLICABLE | 34566-7713 | 9 | A | BLACK | 72 | | | | | | | 64 | | 62 | 61 | | | 58 | 57 | 56 | 55 | 54 | | | | |
| | | | | | | 52 | 51 | | | 48 | | 46 | 45 | | 43 | | 41 | 40 | | 37 | | 35 | 34 | | | | |
| | | | | | | 73 | | | | 32 | | 30 | 29 | 27 | | 25 | | | | 20 | | | | | | | |
| SALEABLE | NOT APPLICABLE | 34566-7723 | 9 | A | BLACK | 72 | | | | | | | 64 | | 62 | 61 | | | 57 | 56 | 55 | 54 | 53 | | | | |
| | | | | | | 52 | 51 | | | 48 | | 46 | 45 | | 43 | | 41 | 40 | | 37 | | 35 | 34 | | | | |
| | | | | | | 73 | | | | 32 | | 30 | 29 | 27 | | 25 | | | | 20 | | | | | | | |
| SALEABLE | NOT APPLICABLE | 34566-7733 | 9 | A | BLACK | 72 | | | | | | | 64 | | 62 | 61 | | | 57 | 56 | 55 | 54 | 53 | | | | |
| | | | | | | 52 | 51 | | | 48 | | 46 | 45 | | 43 | | 41 | 40 | | 37 | | 35 | 34 | | | | |
| | | | | | | 73 | | | | 32 | | 30 | 29 | 27 | | 25 | | | | 20 | | | | | | | |
| SALEABLE | NOT APPLICABLE | 34566-7743 | 0 | C | BLUE | 72 | | 70 | | 68 | 67 | 66 | | 64 | 63 | 62 | 61 | 60 | 59 | 57 | | | | | | | |
| | | | | | | 52 | 51 | | 49 | 48 | 47 | 46 | | 44 | | 41 | 40 | 39 | | 37 | 36 | 35 | 34 | 33 | | | |
| | | | | | | 73 | | | | 32 | | 30 | | 27 | 26 | 25 | 24 | | 22 | 21 | 20 | | | | | | |
| SALEABLE | NOT APPLICABLE | 34566-7753 | 0 | A | BLACK | | 71 | 70 | 69 | 68 | 67 | | 64 | 63 | 62 | 61 | 60 | 59 | 58 | 57 | 56 | 55 | 54 | 53 | | | |
| | | | | | | 52 | 51 | 50 | 49 | | | 45 | 44 | 43 | 42 | 41 | | 39 | 38 | 37 | 36 | | 34 | | | | |
| | | | | | | 73 | | | | 32 | 31 | | 29 | 28 | 27 | 26 | 25 | | | | 19 | 18 | | | | | |
| SALEABLE | NOT APPLICABLE | 34566-7763 | 0 | F | NATURAL | | | | | | | | | | | | | | | | | | | | | | |
| | | | | | | 73 | | | | | | | | | | | | | | | | | | | | | |
| | | | | | | | | | | | | | | | | | | | | | | | | | | | |
| SALEABLE | NOT APPLICABLE | 34566-7773 | 0 | B | ST GRY | 72 | | 70 | | | | | | 63 | 62 | 61 | 60 | 59 | | | | | | | | | |
| | | | | | | 52 | | | | | | 46 | | | 43 | | 41 | 40 | | | | | | | | | |
| | | | | | | 73 | | | | 16 | | 14 | | | 11 | | | | 6 | 5 | 4 | | | | | | |
| SALEABLE | TBD | 34822-0153 | 9 | A | BLACK | | 63 | 62 | 61 | 60 | 59 | | | | 54 | 53 | | 51 | | 49 | 66 | | | | | | |
| | | | | | | | 47 | | | | | | | | 38 | 37 | | 35 | | 33 | | | | | | | |
| | | | | | | 65 | | | | | | 15 | 14 | 13 | | | 28 | | 25 | | 22 | 21 | 20 | 19 | 18 | 17 | |
| SALEABLE | NOT APPLICABLE | 34566-7783 | 0 | A | BLACK | 72 | 71 | 70 | 69 | 68 | | 66 | 65 | 64 | 63 | | | 60 | 59 | | 57 | 56 | | 54 | | | |
| | | | | | | 52 | 51 | 50 | 49 | 48 | | 46 | 45 | 44 | 43 | 42 | 41 | 40 | 39 | 38 | 37 | 36 | | 34 | | | |
| | | | | | | 73 | | | | 32 | 31 | 30 | 29 | 28 | | 26 | 25 | | 23 | 22 | 21 | | | | | 2 | 1 |
| SALEABLE | NOT APPLICABLE | 34566-7793 | 0 | A | BLACK | 72 | | 70 | | | 67 | 66 | 65 | | 63 | | | 60 | 59 | 58 | 57 | 56 | 55 | | | | |
| | | | | | | 52 | 51 | | 49 | 48 | 47 | 46 | 45 | | 43 | 42 | | 40 | 39 | 38 | 37 | 36 | 35 | | | | |
| | | | | | | 73 | | | | | | | | 28 | 27 | | | 23 | 22 | 21 | | | | | 18 | 17 | |
| SALEABLE | NOT APPLICABLE | 34566-7813 | 0 | A | BLACK | | | 70 | 69 | 68 | 67 | | | | 63 | 62 | 61 | 60 | 59 | 58 | 57 | 56 | 55 | 54 | 53 | | |
| | | | | | | 52 | 51 | 50 | 49 | | | | | 44 | 43 | 42 | 41 | 40 | 39 | 38 | 37 | 36 | | 34 | | | |
| | | | | | | 73 | | | | 32 | | | 29 | 28 | 27 | 26 | 25 | | | 21 | | 19 | 18 | | | | |
| SALEABLE | NOT APPLICABLE | 34566-7823 | 0 | B | ST GRY | | | | | 68 | 67 | | | | 63 | 62 | 61 | 60 | 59 | | | | | | | | |
| | | | | | | 52 | | | | 48 | 47 | 46 | | 44 | 43 | | 41 | 40 | | 38 | 37 | 36 | 35 | | | | |
| | | | | | | 73 | | | | 16 | | 14 | | | 11 | | | 8 | | | 4 | | | | | | 1 |
| SALEABLE | NOT APPLICABLE | 34566-7833 | 0 | B | ST GRY | 72 | 71 | 70 | 69 | 68 | 67 | 66 | 65 | 64 | 63 | | 61 | 60 | 59 | | 57 | 56 | 55 | | | | |
| | | | | | | 52 | 51 | 50 | 49 | 48 | 47 | 46 | 45 | 44 | 43 | | 41 | 40 | 39 | 38 | 37 | 36 | 35 | 34 | 33 | | |
| | | | | | | 73 | | | | 32 | 31 | 30 | 29 | 28 | | 26 | 25 | 24 | 23 | 22 | 21 | 20 | 19 | 18 | 17 | | |

MX123 52/66/73/80-WAY RECEPTACLE ASSY SEALED PIN OUT SHEET

| STATUS | GM PART # | HRNS CONN ASSY | | | TPA | GROMMET CAP | | | | | | | | | | | | | | | | | | | |
|----------|----------------|----------------|-------------------|------------------|--------------------|---|----|----|----|----|----|----|----|----|----|----|----|----|----|----|----|----|----|----|----|
| | | MATERIAL/PART | WIRE DRESS OPTION | KEY OPTION Fp | COLOR OPTION Fp | NUMBERS INDICATE CAVITIES OPEN FOR CIRCUITS | | | | | | | | | | | | | | | | | | | |
| | | NUMBER | | | | Fp | | | | | | | | | | | | | | | | | | | |
| SALEABLE | NOT APPLICABLE | 34566-7843 | 9 | C | BLUE | 52 | 71 | 50 | 49 | 48 | 67 | 47 | 65 | 64 | 45 | 44 | 62 | 61 | 60 | 58 | 57 | 54 | 33 | | |
| | | | | | | 73 | | | | 16 | 15 | 14 | 13 | 12 | 11 | 10 | 9 | 38 | 37 | 34 | 33 | | | | |
| | | | | | | 72 | 71 | 70 | 69 | 68 | 67 | 66 | 65 | 64 | 63 | 62 | 61 | 60 | 59 | 58 | 57 | 56 | 55 | 54 | 53 |
| SALEABLE | NOT APPLICABLE | 34566-7853 | 9 | C | BLUE | 52 | 51 | 50 | 49 | 48 | 47 | 46 | 45 | 44 | 43 | 42 | 41 | 40 | 39 | 38 | 37 | 36 | 35 | | |
| | | | | | | 73 | | | | 16 | 15 | 14 | 13 | 12 | 11 | 10 | 9 | 8 | 7 | 6 | 5 | 4 | 3 | 2 | 1 |
| | | | | | | 72 | 71 | 70 | 69 | 68 | 67 | 66 | 65 | 64 | 63 | 62 | 61 | 60 | 59 | 58 | 57 | 56 | 55 | 54 | 53 |
| SALEABLE | NOT APPLICABLE | 34566-7863 | 9 | C | BLUE | 52 | 51 | 50 | 49 | 48 | 47 | 46 | 45 | 44 | 43 | 42 | 41 | 40 | 39 | 38 | 37 | 36 | 35 | | |
| | | | | | | 73 | | | | 16 | 15 | 14 | 13 | 12 | 11 | 10 | 9 | 8 | 7 | 6 | 5 | 4 | 3 | 2 | 1 |
| | | | | | | 72 | 71 | 70 | 69 | 68 | 67 | 66 | 65 | 64 | 63 | 62 | 61 | 60 | 59 | 58 | 57 | 56 | 55 | 54 | 53 |
| SALEABLE | NOT APPLICABLE | 34566-7873 | 9 | A | BLACK | 52 | 51 | 50 | 49 | 48 | 47 | 46 | 45 | 44 | 43 | 42 | 41 | 40 | 39 | 38 | 37 | 36 | 35 | | |
| | | | | | | 73 | | | | 16 | 15 | 14 | 13 | 12 | 11 | 10 | 9 | 8 | 7 | 6 | 5 | 4 | 3 | 2 | 1 |
| | | | | | | 72 | 71 | 70 | 69 | 68 | 67 | 66 | 65 | 64 | 63 | 62 | 61 | 60 | 59 | 58 | 57 | 56 | 55 | 54 | 53 |
| SALEABLE | NOT APPLICABLE | 34566-7883 | 9 | A | BLACK | 52 | 51 | 50 | 49 | 48 | 47 | 46 | 45 | 44 | 43 | 42 | 41 | 40 | 39 | 38 | 37 | 36 | 35 | | |
| | | | | | | 73 | | | | 16 | 15 | 14 | 13 | 12 | 11 | 10 | 9 | 8 | 7 | 6 | 5 | 4 | 3 | 2 | 1 |
| | | | | | | 72 | 71 | 70 | 69 | 68 | 67 | 66 | 65 | 64 | 63 | 62 | 61 | 60 | 59 | 58 | 57 | 56 | 55 | 54 | 53 |
| SALEABLE | NOT APPLICABLE | 34566-7893 | 9 | A | BLACK | 52 | 51 | 50 | 49 | 48 | 47 | 46 | 45 | 44 | 43 | 42 | 41 | 40 | 39 | 38 | 37 | 36 | 35 | | |
| | | | | | | 73 | | | | 16 | 15 | 14 | 13 | 12 | 11 | 10 | 9 | 8 | 7 | 6 | 5 | 4 | 3 | 2 | 1 |
| | | | | | | 72 | 71 | 70 | 69 | 68 | 67 | 66 | 65 | 64 | 63 | 62 | 61 | 60 | 59 | 58 | 57 | 56 | 55 | 54 | 53 |
| SALEABLE | TBD | 34822-0163 | 0 | A | BLACK | 52 | 51 | 50 | 49 | 48 | 47 | 46 | 45 | 44 | 43 | 42 | 41 | 40 | 39 | 38 | 37 | 36 | 35 | | |
| | | | | | | 73 | | | | 16 | 15 | 14 | 13 | 12 | 11 | 10 | 9 | 8 | 7 | 6 | 5 | 4 | 3 | 2 | 1 |
| | | | | | | 72 | 71 | 70 | 69 | 68 | 67 | 66 | 65 | 64 | 63 | 62 | 61 | 60 | 59 | 58 | 57 | 56 | 55 | 54 | 53 |
| SALEABLE | NOT APPLICABLE | 34566-7913 | 9 | G | BLUE | 52 | 51 | 50 | 49 | 48 | 47 | 46 | 45 | 44 | 43 | 42 | 41 | 40 | 39 | 38 | 37 | 36 | 35 | | |
| | | | | | | 73 | | | | 16 | 15 | 14 | 13 | 12 | 11 | 10 | 9 | 8 | 7 | 6 | 5 | 4 | 3 | 2 | 1 |
| | | | | | | 72 | 71 | 70 | 69 | 68 | 67 | 66 | 65 | 64 | 63 | 62 | 61 | 60 | 59 | 58 | 57 | 56 | 55 | 54 | 53 |
| SALEABLE | NOT APPLICABLE | 34566-7923 | 0 | C | BLUE | 52 | 51 | 50 | 49 | 48 | 47 | 46 | 45 | 44 | 43 | 42 | 41 | 40 | 39 | 38 | 37 | 36 | 35 | | |
| | | | | | | 73 | | | | 16 | 15 | 14 | 13 | 12 | 11 | 10 | 9 | 8 | 7 | 6 | 5 | 4 | 3 | 2 | 1 |
| | | | | | | 72 | 71 | 70 | 69 | 68 | 67 | 66 | 65 | 64 | 63 | 62 | 61 | 60 | 59 | 58 | 57 | 56 | 55 | 54 | 53 |
| SALEABLE | NOT APPLICABLE | 34566-7933 | 0 | A | BLACK | 52 | 51 | 50 | 49 | 48 | 47 | 46 | 45 | 44 | 43 | 42 | 41 | 40 | 39 | 38 | 37 | 36 | 35 | | |
| | | | | | | 73 | | | | 16 | 15 | 14 | 13 | 12 | 11 | 10 | 9 | 8 | 7 | 6 | 5 | 4 | 3 | 2 | 1 |
| | | | | | | 72 | 71 | 70 | 69 | 68 | 67 | 66 | 65 | 64 | 63 | 62 | 61 | 60 | 59 | 58 | 57 | 56 | 55 | 54 | 53 |
| SALEABLE | NOT APPLICABLE | 34566-7943 | 0 | B | ST GRAY | 52 | 51 | 50 | 49 | 48 | 47 | 46 | 45 | 44 | 43 | 42 | 41 | 40 | 39 | 38 | 37 | 36 | 35 | | |
| | | | | | | 73 | | | | 16 | 15 | 14 | 13 | 12 | 11 | 10 | 9 | 8 | 7 | 6 | 5 | 4 | 3 | 2 | 1 |
| | | | | | | 72 | 71 | 70 | 69 | 68 | 67 | 66 | 65 | 64 | 63 | 62 | 61 | 60 | 59 | 58 | 57 | 56 | 55 | 54 | 53 |
| SALEABLE | NOT APPLICABLE | 34566-7953 | 0 | B | ST GRAY | 52 | 51 | 50 | 49 | 48 | 47 | 46 | 45 | 44 | 43 | 42 | 41 | 40 | 39 | 38 | 37 | 36 | 35 | | |
| | | | | | | 73 | | | | 16 | 15 | 14 | 13 | 12 | 11 | 10 | 9 | 8 | 7 | 6 | 5 | 4 | 3 | 2 | 1 |
| | | | | | | 72 | 71 | 70 | 69 | 68 | 67 | 66 | 65 | 64 | 63 | 62 | 61 | 60 | 59 | 58 | 57 | 56 | 55 | 54 | 53 |
| SALEABLE | NOT APPLICABLE | 34566-7963 | 9 | A | BLACK | 52 | 51 | 50 | 49 | 48 | 47 | 46 | 45 | 44 | 43 | 42 | 41 | 40 | 39 | 38 | 37 | 36 | 35 | | |
| | | | | | | 73 | | | | 16 | 15 | 14 | 13 | 12 | 11 | 10 | 9 | 8 | 7 | 6 | 5 | 4 | 3 | 2 | 1 |
| | | | | | | 72 | 71 | 70 | 69 | 68 | 67 | 66 | 65 | 64 | 63 | 62 | 61 | 60 | 59 | 58 | 57 | 56 | 55 | 54 | 53 |
| SALEABLE | NOT APPLICABLE | 34566-7973 | 9 | B | ST GRAY | 52 | 51 | 50 | 49 | 48 | 47 | 46 | 45 | 44 | 43 | 42 | 41 | 40 | 39 | 38 | 37 | 36 | 35 | | |
| | | | | | | 73 | | | | 16 | 15 | 14 | 13 | 12 | 11 | 10 | 9 | 8 | 7 | 6 | 5 | 4 | 3 | 2 | 1 |
| | | | | | | 72 | 71 | 70 | 69 | 68 | 67 | 66 | 65 | 64 | 63 | 62 | 61 | 60 | 59 | 58 | 57 | 56 | 55 | 54 | 53 |
| SALEABLE | NOT APPLICABLE | 34566-7983 | 9 | B | ST GRAY | 52 | 51 | 50 | 49 | 48 | 47 | 46 | 45 | 44 | 43 | 42 | 41 | 40 | 39 | 38 | 37 | 36 | 35 | | |
| | | | | | | 73 | | | | 16 | 15 | 14 | 13 | 12 | 11 | 10 | 9 | 8 | 7 | 6 | 5 | 4 | 3 | 2 | 1 |
| | | | | | | 72 | 71 | 70 | 69 | 68 | 67 | 66 | 65 | 64 | 63 | 62 | 61 | 60 | 59 | 58 | 57 | 56 | 55 | 54 | 53 |

MX123 52/66/73/80-WAY RECEPTACLE ASSY SEALED PIN OUT SHEET

| STATUS | GM PART # | HRNS CONN ASSY | | | TPA | GROMMET CAP | | | | | | | | | | | | | | | | | | | | | |
|----------|----------------|----------------|-------------------|------------------|--------------------|---|----|----|----|----|----|----|----|----|----|----|----|----|----|----|----|----|----|----|----|----|----|
| | | MATERIAL/PART | WIRE DRESS OPTION | KEY OPTION Fp | COLOR OPTION Fp | NUMBERS INDICATE CAVITIES OPEN FOR CIRCUITS | | | | | | | | | | | | | | | | | | | | | |
| | | NUMBER | | | | Fp | | | | | | | | | | | | | | | | | | | | | |
| SALEABLE | NOT APPLICABLE | 34566-7993 | 9 | C | BLUE | 52 | 51 | 70 | 69 | 48 | 47 | 46 | 45 | 44 | | | 61 | 60 | | | 57 | | | 54 | 33 | | |
| | | | | | | 73 | | | | 32 | | | 28 | 27 | | 25 | | | | | | | | | | 18 | 17 |
| | | | | | | | | | | 16 | 15 | 14 | 13 | 12 | 11 | 10 | 9 | 8 | 7 | | | | | | | | |
| SALEABLE | NOT APPLICABLE | 34566-8013 | 9 | C | BLUE | 71 | | | | 67 | | 65 | 64 | | | 61 | 60 | 59 | | 57 | | | 54 | | | | |
| | | | | | | 52 | 51 | 50 | | 48 | 47 | | 45 | 44 | | | 41 | | 39 | | 37 | | | 34 | 33 | | |
| | | | | | | 73 | | | | 32 | | | 28 | 27 | | 25 | | 23 | | | | | | | | 18 | |
| SALEABLE | TBD | 34822-0173 | 9 | A | BLACK | 64 | | | | | | 58 | 57 | 56 | 55 | 54 | | 52 | | 50 | | | 66 | | | | |
| | | | | | | 48 | | 46 | 45 | 44 | 43 | 42 | 41 | 40 | | | | 36 | | 34 | | | | | | | |
| | | | | | | 65 | | | | 32 | 31 | 30 | 29 | | 27 | 26 | | 24 | 23 | | | | | | | | |
| SALEABLE | NOT APPLICABLE | 34566-8023 | 9 | C | BLUE | 72 | | | 69 | 68 | | | | | 63 | 62 | | | 59 | | 56 | 55 | | 53 | | | |
| | | | | | | 73 | | | | | | | 46 | | | 43 | 42 | | 40 | 39 | | | 36 | 35 | | | |
| | | | | | | | | | | | 31 | 30 | 29 | | | 26 | | 24 | 23 | 22 | 21 | 20 | 19 | | | | |
| SALEABLE | NOT APPLICABLE | 34566-8033 | 9 | B | ST GRAY | 71 | 70 | 69 | | | | 67 | 66 | 65 | 64 | 63 | | | | 58 | 57 | 56 | | 54 | | | |
| | | | | | | | 51 | 50 | 49 | | | | 45 | | | 42 | | | 39 | | | | | | 34 | 33 | |
| | | | | | | 73 | | | | 32 | 31 | | 29 | 28 | 27 | 26 | 25 | 24 | 23 | | | | | | | | 3 |
| SALEABLE | NOT APPLICABLE | 34566-8043 | 9 | A | BLACK | | | | | 67 | | | | | | 62 | 61 | | 59 | 58 | | | 55 | 53 | | | |
| | | | | | | | | | | 47 | | | | | | 42 | | | | | | | | | 35 | 33 | |
| | | | | | | 73 | | | | | | | | | 27 | 26 | 25 | 24 | | | | | 20 | 19 | 18 | 17 | |
| SALEABLE | NOT APPLICABLE | 34566-8053 | 9 | A | BLACK | 72 | | | | 68 | 67 | 66 | | | | | | 59 | | | | | | | | | |
| | | | | | | | | | | | | 46 | | | | | | 40 | | 38 | | | 35 | | 33 | | |
| | | | | | | 73 | | | | | 31 | | | | | | 25 | 23 | 22 | 21 | 20 | 19 | | | 17 | | |
| SALEABLE | NOT APPLICABLE | 34566-8063 | 9 | C | BLUE | 71 | | 69 | | | | | 65 | 64 | | | 61 | 60 | | 58 | | 56 | 55 | 54 | | | |
| | | | | | | | 50 | | | | | 45 | | 43 | 42 | | | | 38 | | | | 35 | | | | |
| | | | | | | 73 | | | | | 31 | | 29 | 28 | | | | | 23 | | | | 19 | 18 | 17 | | |
| SALEABLE | NOT APPLICABLE | 34566-8073 | 9 | B | ST GRAY | | | 69 | | | | | 65 | 64 | 63 | | | | | | | | | | | | |
| | | | | | | | | 49 | | | | 45 | 44 | 43 | | | | | | | | | | | | | |
| | | | | | | 73 | | | | | | | | | 12 | 11 | | 9 | | 7 | 6 | 5 | 4 | | | | |
| SALEABLE | NOT APPLICABLE | 34566-8083 | 9 | B | ST GRAY | | | | | | | | | | | 62 | | 59 | 58 | | | | 54 | 53 | | | |
| | | | | | | | | | | | | | | | 42 | | | 39 | | | | | | | | | |
| | | | | | | 73 | | | | | | | | | | 27 | | | | | | | | | | | |
| SALEABLE | NOT APPLICABLE | 34566-8093 | 9 | A | BLACK | 71 | | 69 | 68 | | | 66 | 65 | 64 | | | 62 | 61 | | | | | | 54 | 53 | | |
| | | | | | | | 50 | 49 | | | | 45 | 44 | | | | 41 | | | | | | | | 34 | 33 | |
| | | | | | | 73 | | | | 32 | 31 | 30 | 29 | | | 26 | 25 | 24 | 23 | | | | 20 | 19 | | | |
| SALEABLE | NOT APPLICABLE | 34566-8113 | 9 | C | BLUE | | | | 68 | | | | | | 63 | 62 | 61 | 60 | 59 | 58 | 57 | | 55 | 53 | | | |
| | | | | | | | | | | 48 | | | | | 43 | 42 | 41 | 40 | | | 37 | 36 | 35 | | 33 | | |
| | | | | | | 73 | | | | 32 | | | | | 27 | | 24 | | | | | 20 | 19 | 18 | | | |
| SALEABLE | NOT APPLICABLE | 34566-8123 | 0 | G | BLUE | 80 | 79 | | | | | | 73 | 72 | | 70 | 69 | 68 | 67 | 66 | 65 | 64 | | 62 | 61 | | |
| | | | | | | | 59 | | | | | | 53 | 52 | | | | | | | 46 | | 44 | | 42 | 41 | |
| | | | | | | | | | | 36 | 35 | 34 | | | | | | | | | | 25 | 24 | 23 | 22 | 21 | |
| SALEABLE | NOT APPLICABLE | 34566-8133 | 0 | G | BLUE | | 19 | | | 16 | 15 | 14 | | | | | | | | | | | | | | | |
| | | | | | | 80 | 79 | 78 | 77 | | | | 75 | | 72 | 71 | 70 | 69 | 68 | | 66 | | | | | | |
| | | | | | | 60 | 59 | 58 | 57 | 56 | 55 | | 53 | | 51 | 50 | 49 | 48 | 47 | 46 | 45 | 44 | | | | | |
| SALEABLE | NOT APPLICABLE | 34566-8143 | 0 | G | BLUE | 40 | 39 | | 37 | 36 | 35 | 34 | | 32 | 31 | 30 | 29 | 28 | | 26 | | 24 | 23 | 22 | 21 | | |
| | | | | | | | 19 | 18 | 17 | | | | | | 11 | | | | | | | | 4 | 3 | | 1 | |
| | | | | | | 80 | 79 | 78 | 77 | 76 | 75 | 74 | 73 | 72 | | 70 | 69 | 68 | 67 | 66 | 65 | 64 | 63 | 62 | 61 | | |
| SALEABLE | NOT APPLICABLE | 34566-8143 | 0 | G | BLUE | 60 | 59 | 58 | 57 | 56 | 55 | 54 | 53 | 52 | 51 | 50 | | 48 | 47 | 46 | 45 | 44 | 43 | 42 | 41 | | |
| | | | | | | 40 | 39 | 38 | 37 | 36 | 35 | 34 | 33 | 32 | 31 | 30 | 29 | 28 | 27 | 26 | 25 | 24 | 23 | 22 | 21 | | |
| | | | | | | 20 | 19 | 18 | 17 | 16 | 15 | 14 | 13 | 12 | 11 | 10 | 9 | 8 | 7 | 6 | 5 | 4 | 3 | 2 | 1 | | |

MX123 52/66/73/80-WAY RECEPTACLE ASSY SEALED PIN OUT SHEET

| STATUS | GM PART # | HRNS CONN ASSY | | | TPA | GROMMET CAP | | | | | | | | | | | | | | | | | | | | | |
|----------|----------------|----------------|-------------------|------------------|--------------------|---|----|----|----|----|----|----|----|----|----|----|----|----|----|----|----|----|----|----|----|----|----|
| | | MATERIAL/PART | WIRE DRESS OPTION | KEY OPTION Fp | COLOR OPTION Fp | NUMBERS INDICATE CAVITIES OPEN FOR CIRCUITS | | | | | | | | | | | | | | | | | | | | | |
| | | NUMBER | | | | Fp | | | | | | | | | | | | | | | | | | | | | |
| SALEABLE | NOT APPLICABLE | 34566-8153 | 0 | C | BLUE | 72 | 71 | 70 | 69 | 68 | 67 | 66 | 65 | 64 | 63 | 62 | 61 | 60 | 59 | 58 | 57 | 56 | 55 | 34 | 33 | | |
| | | | | | | 52 | 51 | 50 | | | | | | | 42 | 41 | | | | | | | | | | 35 | 18 |
| | | | | | | 73 | | | | | | | | 28 | 27 | | | | | | | | | | | | 3 |
| SALEABLE | NOT APPLICABLE | 34566-8163 | 9 | B | ST GRAY | | | | | 68 | 67 | | | 64 | 63 | | | 59 | 58 | | | 55 | 54 | | | | |
| | | | | | | | | | | | | 47 | 46 | 45 | 44 | 43 | | | 39 | 38 | | | 35 | | | | |
| | | | | | | 73 | | | | | | | | 32 | 31 | 30 | 29 | 28 | 27 | | | 23 | 22 | | | 19 | 17 |
| SALEABLE | NOT APPLICABLE | 34566-8173 | 0 | B | ST GRAY | 72 | | 70 | | 68 | 67 | | | | 63 | 62 | 61 | 60 | 59 | | | | | | | | |
| | | | | | | 52 | | | | | | 46 | | | 43 | | 41 | 40 | | | | | | | | | |
| | | | | | | 73 | | | | | | | | | | | | | | | 22 | 21 | 20 | 19 | 18 | | |
| SALEABLE | NOT APPLICABLE | 34566-8183 | 9 | H | ST GRAY | | | | | | | | | | | | | | | | | | | | | | |
| | | | | | | | | | | | | | | | | | | | | | | | | | | | |
| | | | | | | 73 | | | | | | | | | | | | | | | | | | | | | |
| SALEABLE | NOT APPLICABLE | 34566-8193 | 0 | G | BLUE | | 79 | 78 | 77 | 76 | 75 | 74 | | | 71 | | | | 67 | | 65 | | 63 | | | | |
| | | | | | | 60 | 59 | 58 | 57 | 56 | 55 | 54 | | 52 | | | | | 47 | | 45 | | 43 | | | | |
| | | | | | | 40 | | 38 | 37 | | | | | 33 | 32 | 31 | 30 | 29 | | 27 | 26 | | | | | | |
| SALEABLE | NOT APPLICABLE | 34566-8213 | 0 | H | ST GRAY | 20 | | 18 | 17 | | | | | | 11 | 10 | 9 | 8 | 7 | 6 | 5 | 4 | 3 | 2 | 1 | | |
| | | | | | | | | | | | | | | | | | | | | | | | | | | | |
| | | | | | | 73 | | | | | | | | | | | | | | | | | | | | | |
| SALEABLE | NOT APPLICABLE | 34566-8223 | 9 | A | BLACK | | | | | | | | | | | | | | | | | | | | | | |
| | | | | | | | | | | | | | | | | | | | | | | | | | | | |
| | | | | | | 73 | | | | | | | | | | | | | | | | | | | | | |
| SALEABLE | NOT APPLICABLE | 34566-8233 | 9 | G | BLUE | | | | 77 | 76 | 75 | 74 | 73 | 72 | | 70 | 69 | 68 | | 66 | 65 | 64 | 63 | 62 | 61 | | |
| | | | | | | | | | | 56 | 55 | | 53 | 52 | | | | | | 46 | 45 | | 43 | 42 | | | |
| | | | | | | | | 38 | 37 | 36 | 35 | 34 | | | 31 | | | | | 26 | | | 23 | 22 | 21 | | |
| SALEABLE | NOT APPLICABLE | 34566-8243 | 9 | G | BLUE | 20 | 19 | | 17 | 16 | 15 | 14 | 13 | | 10 | | | 7 | 6 | | 4 | | | 1 | | | |
| | | | | | | | | | | | | | | | | | | | | | | | | | | | |
| | | | | | | 73 | | | | | | | | | | | | | | | | | | | | | |
| SALEABLE | NOT APPLICABLE | 34566-8253 | 9 | G | BLUE | | | | 77 | 76 | 75 | 74 | 73 | 72 | | 70 | 69 | 68 | | 66 | 65 | 64 | 63 | 62 | 61 | | |
| | | | | | | | | | | 56 | 55 | | 53 | 52 | | | | | | 46 | 45 | | 43 | 42 | | | |
| | | | | | | | | 38 | 37 | 36 | 35 | 34 | | | 31 | | | | | 26 | | | 23 | 22 | 21 | | |
| SALEABLE | NOT APPLICABLE | 34566-8263 | 9 | G | BLUE | 20 | 19 | | 17 | 16 | 15 | 14 | 13 | | 10 | | | 7 | 6 | | 4 | | | 1 | | | |
| | | | | | | | | | | | | | | | | | | | | | | | | | | | |
| | | | | | | 73 | | | | | | | | | | | | | | | | | | | | | |
| SALEABLE | NOT APPLICABLE | 34566-8273 | 9 | G | BLUE | 80 | 79 | 78 | | | | | | | 71 | | | | 67 | | | | | | | | |
| | | | | | | 60 | 59 | 58 | 57 | | | 54 | | | 51 | 50 | 49 | 48 | 47 | | | | 44 | | | 41 | |
| | | | | | | 40 | 39 | | | | | | | 33 | 32 | | 30 | 29 | 28 | 27 | | | 25 | 24 | | | |
| SALEABLE | NOT APPLICABLE | 34566-8283 | 9 | G | BLUE | | | 18 | | | | | | 12 | 11 | | 9 | 8 | | | 5 | | 3 | 2 | | | |
| | | | | | | | | | | | | | | | | | | | | | | | | | | | |
| | | | | | | 73 | | | | | | | | | | | | | | | | | | | | | |
| SALEABLE | NOT APPLICABLE | 34566-8293 | 9 | A | BLACK | 71 | 70 | 69 | 68 | 67 | 66 | 65 | | 63 | | | 60 | 59 | 58 | | | | 36 | 35 | 34 | 33 | |
| | | | | | | | | 50 | 49 | 48 | 47 | | | 44 | | 42 | | | 39 | 38 | | | | | | | |
| | | | | | | 73 | | | | | | | | 31 | | | 28 | | 26 | | 24 | 23 | 22 | 21 | | 19 | 18 |
| SALEABLE | NOT APPLICABLE | 34566-8313 | 9 | A | BLACK | | 71 | 70 | 69 | | 67 | 66 | 65 | | 63 | | | 60 | 59 | 58 | | | | | | | |
| | | | | | | | | 50 | 49 | 48 | 47 | | | 44 | | 42 | 41 | | 39 | 38 | | | | 36 | 35 | 34 | 33 |
| | | | | | | 73 | | | | | | | | 31 | | | 28 | | 26 | | 24 | 23 | 22 | 21 | | 19 | 18 |

MX123 52/66/73/80-WAY RECEPTACLE ASSY SEALED PIN OUT SHEET

| STATUS | GM PART # | HRNS CONN ASSY | | | TPA | GROMMET CAP | | | | | | | | | | | | | | | | | | | | | | |
|----------|----------------|----------------|-------------------|------------------|--------------------|---|----|----|----|----|----|----|----|----|----|----|----|----|----|----|----|----|----|----|----|----|----|---|
| | | MATERIAL/PART | WIRE DRESS OPTION | KEY OPTION Fp | COLOR OPTION Fp | NUMBERS INDICATE CAVITIES OPEN FOR CIRCUITS | | | | | | | | | | | | | | | | | | | | | | |
| | | NUMBER | | | | Fp | | | | | | | | | | | | | | | | | | | | | | |
| SALEABLE | NOT APPLICABLE | 34566-8323 | 9 | A | BLACK | 71 | 70 | 69 | 68 | 67 | 66 | 65 | | 63 | | 60 | | | | | | | 53 | | | | | |
| | | | | | | | | 50 | 49 | | 47 | | | 44 | | 42 | | | 39 | 38 | | | 36 | | | 33 | | |
| | | | | | | 73 | | | | | | 31 | | | 28 | | 26 | | 24 | 23 | 22 | 21 | | 19 | 18 | 17 | | |
| SALEABLE | NOT APPLICABLE | 34566-8333 | 9 | A | BLACK | 71 | 70 | 69 | 68 | 67 | 66 | 65 | | 63 | | 60 | | | | | | | 53 | | | | | |
| | | | | | | | | 50 | 49 | 48 | 47 | | | 44 | | 42 | 41 | | 39 | 38 | | | 36 | | | 33 | | |
| | | | | | | 73 | | | | | | 31 | | | 28 | | 26 | | 24 | 23 | 22 | 21 | | 19 | 18 | 17 | | |
| SALEABLE | NOT APPLICABLE | 34566-8343 | 9 | A | BLACK | 71 | 70 | 69 | 68 | 67 | 66 | 65 | | 63 | | 60 | | | | | | | 53 | | | | | |
| | | | | | | | | 50 | 49 | | 47 | | | 44 | | 42 | | | 39 | 38 | | | 36 | 35 | 34 | 33 | | |
| | | | | | | 73 | | | | | | 31 | | | 28 | | 26 | | 24 | 23 | 22 | 21 | | 19 | 18 | 17 | | |
| SALEABLE | NOT APPLICABLE | 34566-8353 | 9 | A | BLACK | 72 | | | | | | | | 64 | | 62 | 61 | | | | | 57 | 56 | 55 | 54 | 53 | | |
| | | | | | | 52 | 51 | | | | | | 46 | 45 | | 43 | | 41 | 40 | | | | 37 | | | | | |
| | | | | | | 73 | | | | | | 32 | | 30 | 29 | | 27 | | 25 | | | | | 20 | | | | |
| SALEABLE | NOT APPLICABLE | 34566-8363 | 9 | A | BLACK | 72 | | | | | | | | 64 | | 62 | 61 | | | | | 57 | 56 | 55 | 54 | 53 | | |
| | | | | | | 52 | 51 | | | | | | 46 | 45 | | 43 | | 41 | 40 | | | | 37 | | | | | |
| | | | | | | 73 | | | | | | 32 | | 30 | 29 | | 27 | | 25 | | | | | 20 | | | | |
| SALEABLE | NOT APPLICABLE | 34566-8373 | 9 | A | BLACK | 72 | | | | | | | | 64 | | 62 | 61 | | | | | 57 | 56 | 55 | 54 | 53 | | |
| | | | | | | 52 | 51 | | | | | | 46 | 45 | | 43 | | 41 | 40 | | | | 37 | | | | | |
| | | | | | | 73 | | | | | | 32 | | 30 | 29 | | 27 | | 25 | | | | | 20 | | | | |
| SALEABLE | NOT APPLICABLE | 34566-8383 | 9 | A | BLACK | 72 | | | | | | | | 64 | | 62 | 61 | | | | | 57 | 56 | 55 | 54 | 53 | | |
| | | | | | | 52 | 51 | | | | | | 46 | 45 | | 43 | | 41 | 40 | | | | 37 | | | | | |
| | | | | | | 73 | | | | | | 32 | | 30 | 29 | | 27 | | 25 | | | | | 20 | | | | |
| SALEABLE | NOT APPLICABLE | 34566-8393 | 0 | A | BLACK | 72 | | 70 | | | | | | 64 | | 62 | 61 | | | | | 57 | 56 | 55 | 54 | 53 | | |
| | | | | | | 52 | 51 | | 49 | 48 | | | | | 43 | | | | | | | | 36 | 35 | 34 | 33 | | |
| | | | | | | 73 | | | | | | 31 | 30 | 29 | 28 | 27 | | | 24 | 23 | 22 | 21 | 20 | 19 | 18 | 17 | | |
| SALEABLE | NOT APPLICABLE | 34566-8413 | 0 | A | BLACK | 72 | | 70 | | | | | | 64 | | 62 | 61 | | | | | 57 | 56 | 55 | 54 | 53 | | |
| | | | | | | 52 | 51 | | 49 | 48 | | | | | 43 | | | | | | | | 36 | 35 | 34 | 33 | | |
| | | | | | | 73 | | | | | | 31 | 30 | 29 | 28 | 27 | | | 24 | 23 | 22 | 21 | 20 | 19 | 18 | 17 | | |
| SALEABLE | NOT APPLICABLE | 34566-8423 | 0 | C | BLUE | | | | 69 | | | | | 64 | | 62 | 61 | 60 | | | | 57 | | | 54 | | | |
| | | | | | | 52 | 51 | 50 | 49 | 48 | | 46 | 45 | 44 | | 42 | 41 | | | | | 37 | | | 34 | 33 | | |
| | | | | | | 73 | | | | | | 16 | 15 | 14 | 13 | 12 | 11 | 10 | 9 | 8 | 7 | | | | | | | |
| SALEABLE | NOT APPLICABLE | 34566-8433 | 0 | H | ST GRAY | | 79 | 78 | 77 | | | | | | | | | | | | | | | | 61 | | | |
| | | | | | | | | | | | | | | | | | | | | | | | | | | | | |
| | | | | | | 20 | | | | | | | | | | | | | 9 | | | | 5 | | | | | 1 |
| SALEABLE | NOT APPLICABLE | 34566-8443 | 0 | C | BLUE | | 71 | 70 | | | | | | | | | 61 | 60 | 59 | 58 | 57 | | | 54 | | | | |
| | | | | | | 52 | 51 | 50 | | 48 | 47 | | 45 | 44 | | | 41 | | 39 | 38 | 37 | | | | 34 | 33 | | |
| | | | | | | 73 | | | | | | 32 | | | 28 | 27 | | 25 | | 23 | | | | | | 18 | 17 | |
| SALEABLE | NOT APPLICABLE | 34566-8453 | 0 | A | BLACK | 72 | 71 | 70 | 69 | 68 | | 66 | 65 | 64 | 63 | | 60 | | | | 57 | 56 | | 54 | | | | |
| | | | | | | 52 | 51 | 50 | 49 | 48 | | 46 | 45 | 44 | 43 | 42 | | 40 | 39 | 38 | 37 | 36 | | | 34 | | | |
| | | | | | | 73 | | | | | | 32 | 31 | 30 | 29 | 28 | | | | 23 | 22 | 21 | 20 | | | | | |
| SALEABLE | NOT APPLICABLE | 34566-8463 | 0 | B | ST GRAY | 72 | | 70 | | | | | | | | 62 | 61 | 60 | 59 | | | | 55 | | | | | |
| | | | | | | 52 | | | | 48 | 47 | 46 | | 44 | 43 | | | 41 | 40 | | | 38 | 37 | 36 | 35 | | | |
| | | | | | | 73 | | | | | | 16 | 15 | 14 | | | | | 8 | | 6 | | 4 | | | | | 1 |
| SALEABLE | NOT APPLICABLE | 34566-8473 | 0 | C | BLUE | | 71 | 70 | | | | | | | | 62 | 61 | 60 | | | 58 | 57 | | 54 | | | | |
| | | | | | | 52 | 51 | 50 | 49 | 48 | 47 | | 45 | 44 | | | 42 | 41 | | | 38 | 37 | | 35 | 34 | 33 | | |
| | | | | | | 73 | | | | | | 32 | | | 28 | 27 | 26 | 25 | | | | | | 19 | 18 | 17 | | |

MX123 52/66/73/80-WAY RECEPTACLE ASSY SEALED PIN OUT SHEET

| STATUS | GM PART # | HRNS CONN ASSY | | | TPA | GROMMET CAP | | | | | | | | | | | | | | | | | | | | | |
|----------|----------------|----------------|-------------------|------------------|--------------------|---|----|----|----|----|----|----|----|----|----|----|----|----|----|----|----|----|----|----|----|----|----|
| | | MATERIAL/PART | WIRE DRESS OPTION | KEY OPTION Fp | COLOR OPTION Fp | NUMBERS INDICATE CAVITIES OPEN FOR CIRCUITS | | | | | | | | | | | | | | | | | | | | | |
| | | NUMBER | | | | Fp | | | | | | | | | | | | | | | | | | | | | |
| SALEABLE | NOT APPLICABLE | 34566-8483 | 0 | A | BLACK | 72 | 71 | 70 | 69 | 68 | | 66 | 65 | 64 | 63 | | 61 | 60 | | | 57 | 56 | | 54 | 53 | | |
| | | | | | | 52 | 51 | 50 | 49 | 48 | | 46 | 45 | 44 | 43 | 42 | | | 40 | 39 | 38 | 37 | 36 | | 34 | 33 | |
| | | | | | | 73 | | | | 32 | 31 | 30 | 29 | 28 | | | | | | 23 | 22 | 21 | 20 | | | | 2 |
| SALEABLE | NOT APPLICABLE | 34566-8493 | 0 | B | ST GRAY | 72 | | 70 | | 68 | 67 | | | | | 62 | 61 | 60 | 59 | | | | 55 | | | | |
| | | | | | | 52 | | | | 48 | 47 | 46 | | 44 | 43 | | | 40 | | | | | | | | | 33 |
| | | | | | | 73 | | | | | | 30 | | | | | | | | 22 | 21 | 20 | 19 | 18 | 17 | | |
| SALEABLE | NOT APPLICABLE | 34566-8513 | 9 | A | BLACK | 72 | 71 | 70 | 69 | 68 | | 66 | 65 | 64 | 63 | | 61 | 60 | | | 57 | 56 | | 54 | 53 | | |
| | | | | | | 52 | 51 | 50 | 49 | 48 | | 46 | 45 | 44 | 43 | | | 40 | 39 | 38 | 37 | 36 | | 34 | 33 | | |
| | | | | | | 73 | | | | 32 | 31 | 30 | 29 | 28 | | | | | 24 | 23 | 22 | | | | | | |
| SALEABLE | NOT APPLICABLE | 34566-8523 | 9 | B | ST GRAY | 72 | | 70 | | 68 | | | | | | 62 | 61 | | | | | | 55 | | | | |
| | | | | | | 52 | | | | 48 | 47 | 46 | | | 43 | | | 40 | | | | | | | | | |
| | | | | | | 73 | | | | | | 30 | | | | | | | | 22 | 21 | 20 | 19 | 18 | 17 | | |
| SALEABLE | NOT APPLICABLE | 34566-8533 | 9 | C | BLUE | | | 70 | | 67 | 66 | 65 | 64 | | | 61 | 60 | | | 57 | | | 54 | | | | |
| | | | | | | 52 | 51 | 50 | 49 | 48 | 47 | | 45 | 44 | | | 41 | | | | 37 | | | 34 | 33 | | |
| | | | | | | 73 | | | | 32 | | | | 28 | 27 | | | 25 | | | | | | | | 18 | 17 |
| SALEABLE | NOT APPLICABLE | 34566-8543 | 9 | C | BLUE | | 71 | | 69 | | 67 | 66 | 65 | 64 | | | 61 | 60 | | | 57 | | 54 | | | | |
| | | | | | | 52 | 51 | 50 | 49 | 48 | 47 | 46 | 45 | 44 | | | | | | | 37 | | | 34 | 33 | | |
| | | | | | | 73 | | | | 32 | | | | 28 | 27 | | | | | | | | | | | | |
| SALEABLE | NOT APPLICABLE | 34566-8553 | 0 | B | ST GRAY | | | | | 67 | 66 | 65 | 64 | | | 61 | 60 | | | 57 | | | 54 | | | | |
| | | | | | | 52 | 51 | 50 | 49 | 48 | 47 | | 45 | 44 | | | 41 | | | | 37 | | | 34 | 33 | | |
| | | | | | | 73 | | | | 32 | | | | 28 | 27 | | | 25 | | | | | | | | 18 | 17 |
| SALEABLE | NOT APPLICABLE | 34566-8563 | 0 | A | BLACK | | | | | 67 | | | | | | 61 | 60 | | | 57 | | | 54 | | | | |
| | | | | | | 52 | 51 | | | 48 | 47 | 46 | | | 43 | 42 | | 40 | 39 | 38 | 37 | 36 | 35 | | | | |
| | | | | | | 73 | | | | | | | | 28 | | | | | | 22 | 21 | | | | 18 | 17 | |
| SALEABLE | NOT APPLICABLE | 34566-8573 | 0 | B | ST GRAY | 72 | 71 | 70 | 69 | 68 | 67 | 66 | 65 | 64 | 63 | | 61 | 60 | 59 | | 57 | 56 | 55 | | | | |
| | | | | | | 52 | 51 | 50 | 49 | 48 | 47 | 46 | 45 | 44 | 43 | | 41 | 40 | 39 | 38 | 37 | 36 | 35 | | | 33 | |
| | | | | | | 73 | | | | 32 | 31 | 30 | 29 | 28 | | | | 26 | | 24 | 23 | 22 | 21 | 20 | 19 | | |
| SALEABLE | NOT APPLICABLE | 34566-8583 | 0 | C | BLUE | 72 | 71 | 70 | 69 | | 67 | 66 | 65 | 64 | | | 60 | | | | 56 | | | 54 | | | |
| | | | | | | 52 | 51 | 50 | 49 | | 47 | 46 | 45 | 44 | | | 40 | 39 | 38 | | | | | 34 | | | |
| | | | | | | 73 | | | | | 31 | 30 | | 28 | | 26 | 25 | 24 | 23 | 22 | 21 | | | | | 17 | |
| SALEABLE | NOT APPLICABLE | 34566-8593 | 0 | B | ST GRAY | 72 | | | | 68 | | | | | | 62 | 61 | 60 | 59 | | | | 55 | | | | |
| | | | | | | 52 | | | | 48 | 47 | 46 | | | 43 | | 41 | 40 | | | 38 | 37 | 36 | 35 | | | |
| | | | | | | 73 | | | | | | 30 | | | | | | | | 22 | 21 | 20 | 19 | 18 | | | |
| SALEABLE | TBD | 34822-0183 | 0 | A | BLACK | 64 | 63 | 62 | 61 | 60 | 59 | | | | | 54 | 53 | | 51 | | 49 | 66 | | | | | |
| | | | | | | | | | | | | | | | | 38 | 37 | | 35 | | 33 | | | | | | |
| | | | | | | 65 | | | | | 15 | 14 | 13 | | | | | | 8 | 7 | | | 4 | 3 | 2 | 1 | |
| SALEABLE | TBD | 34822-0193 | 0 | A | BLACK | 64 | 63 | | | | | | | | 54 | 53 | | 51 | | 49 | 66 | | | | | | |
| | | | | | | | | | | | | | | | 38 | 37 | | 35 | | 33 | | | | | | | |
| | | | | | | 65 | | | | | | | | 28 | | | | 24 | 23 | | 21 | 20 | 19 | 18 | 17 | | |
| SALEABLE | TBD | 34822-0203 | 0 | A | BLACK | | | | | 15 | 14 | 13 | | | | | 8 | 7 | | | 4 | 3 | 2 | 1 | | | |
| | | | | | | 64 | 63 | 62 | 61 | 60 | 59 | | | | | 54 | 53 | | 51 | | 49 | 66 | | | | | |
| | | | | | | | | | | | | | | | | 38 | 37 | | 35 | | 33 | | | | | | |
| SALEABLE | TBD | 34822-0213 | 0 | A | BLACK | | | | | 31 | | | 28 | | | | 24 | 23 | 22 | 21 | 20 | 19 | 18 | 17 | | | |
| | | | | | | | | | | | | | | | | | | 8 | 7 | | | 4 | | 2 | 1 | | |
| | | | | | | 65 | | | | | 31 | | | | | | | 24 | 23 | 22 | 21 | 20 | 19 | 18 | 17 | | |


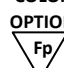

MX123 52/66/73/80-WAY RECEPTACLE ASSY SEALED PIN OUT SHEET

| STATUS | GM PART # | HRNS CONN ASSY | | | TPA | GROMMET CAP | | | | | | | | | | | | | | | | | | | | | |
|----------|----------------|----------------|-------------------|------------------|--------------------|---|----|----|----|----|----|----|----|----|----|----|----|----|----|----|----|----|----|----|----|----|----|
| | | MATERIAL/PART | WIRE DRESS OPTION | KEY OPTION Fp | COLOR OPTION Fp | NUMBERS INDICATE CAVITIES OPEN FOR CIRCUITS | | | | | | | | | | | | | | | | | | | | | |
| | | NUMBER | | | | Fp | | | | | | | | | | | | | | | | | | | | | |
| SALEABLE | NOT APPLICABLE | 34566-8613 | 0 | C | BLUE | 52 | 71 | 70 | | | 67 | 66 | 65 | 64 | | | 61 | 60 | 59 | 58 | 57 | | | 54 | | | |
| | | | | | | | | | | 48 | 47 | | | 45 | 44 | | | 41 | 40 | 39 | 38 | 37 | | | | 34 | 33 |
| | | | | | | 73 | | | | 32 | | | | 28 | 27 | | | 25 | | 23 | | | | | | | 18 |
| SALEABLE | NOT APPLICABLE | 34566-8623 | 9 | C | BLUE | | | | | 68 | | | 65 | | 63 | 62 | 61 | | 59 | 58 | 57 | 56 | 55 | | 53 | | |
| | | | | | | | | | | 48 | | | 45 | | 43 | 42 | 41 | | | | | 37 | 36 | 35 | 34 | 33 | |
| | | | | | | 73 | | | | 32 | 31 | | | | | | | | | | | | 20 | 19 | 18 | | |
| SALEABLE | NOT APPLICABLE | 34566-8633 | 0 | B | ST GRAY | 72 | | | | | | | | | | 62 | 61 | | | | | | | | | | |
| | | | | | | 52 | | | | 48 | 47 | 46 | | | 43 | | | 40 | | | | | | | | | |
| | | | | | | 73 | | | | | | | 30 | | | | | | | | 22 | 21 | 20 | 19 | 18 | 17 | |
| SALEABLE | NOT APPLICABLE | 34566-8643 | 0 | C | BLUE | | 71 | 70 | | | 67 | 66 | | 64 | | | 61 | 60 | | | 57 | | | 54 | | | |
| | | | | | | 52 | 51 | 50 | 49 | 48 | | | 45 | 44 | | | 41 | | | 37 | | | | | | 34 | 33 |
| | | | | | | 73 | | | | 32 | | | | 28 | 27 | | | 25 | | | | | | | | | 18 |
| SALEABLE | NOT APPLICABLE | 34566-8653 | 9 | C | BLUE | | 71 | | | 69 | | | 67 | 66 | 65 | 64 | 63 | | 61 | 60 | | | 57 | | | | |
| | | | | | | 52 | 51 | 50 | | 48 | 47 | 46 | 45 | | 43 | | | 41 | | | 37 | | | | | 34 | 33 |
| | | | | | | 73 | | | | | | | | 28 | 27 | | | 25 | | | | | | | | | |
| SALEABLE | NOT APPLICABLE | 34566-8663 | 0 | B | ST GRAY | 72 | 71 | 70 | 69 | | | | | | 64 | 63 | | 61 | 60 | | 58 | 57 | 56 | 55 | | | |
| | | | | | | 52 | 51 | 50 | 49 | | | | | | 43 | | | | | | | 38 | 37 | 36 | | | 33 |
| | | | | | | 73 | | | | 32 | | | 30 | 29 | 28 | | 26 | 25 | 24 | 23 | 22 | 21 | 20 | | | | |
| SALEABLE | NOT APPLICABLE | 34822-0223 | 0 | A | BLACK | 64 | 63 | 62 | 61 | 60 | 59 | | | | | 54 | 53 | | 51 | | 49 | 66 | | | | | |
| | | | | | | | | | | | | | | | 38 | 37 | | 35 | | 33 | | | | | | | |
| | | | | | | 65 | | | | | 31 | | | 28 | | | | 24 | 23 | 22 | 21 | 20 | 19 | 18 | 17 | | |
| SALEABLE | NOT APPLICABLE | 34566-8673 | 0 | F | NATURAL | 72 | | 70 | | 68 | 67 | 66 | | | 63 | 62 | | | 59 | | 57 | | | | 53 | | |
| | | | | | | 52 | 51 | | 49 | 48 | 47 | 46 | | 44 | | | 41 | 40 | 39 | | 37 | 36 | 35 | 34 | 33 | | |
| | | | | | | 73 | | | | | | 30 | | | 27 | 26 | 25 | 24 | | 22 | 21 | 20 | | | | | |
| SALEABLE | NOT APPLICABLE | 34566-8683 | 0 | B | ST GRAY | 72 | | 70 | | 68 | 67 | 66 | | | 63 | 62 | | | 59 | | 57 | | | | 53 | | |
| | | | | | | 52 | 51 | | 49 | 48 | 47 | 46 | | 44 | | | 41 | 40 | 39 | | 37 | 36 | 35 | 34 | 33 | | |
| | | | | | | 73 | | | | 32 | | 30 | | | 27 | 26 | 25 | 24 | | 22 | 21 | 20 | | | | | |
| SALEABLE | NOT APPLICABLE | 34566-8693 | 0 | A | BLACK | | | | | 68 | 67 | 66 | | | 63 | 62 | | | 59 | | 57 | | | | 53 | | |
| | | | | | | 52 | 51 | | 49 | 48 | 47 | 46 | | 44 | | | 41 | 40 | 39 | | 37 | 36 | 35 | 34 | 33 | | |
| | | | | | | 73 | | | | 32 | | 30 | | | 27 | 26 | 25 | 24 | | 22 | 21 | 20 | | | | | |
| SALEABLE | NOT APPLICABLE | 34566-8713 | 9 | B | ST GRAY | 72 | 71 | 70 | 69 | | | | | 64 | 63 | | | 61 | 60 | | 58 | 57 | 56 | 55 | | | |
| | | | | | | 52 | 51 | 50 | 49 | | | | | 43 | | | | | | | | 38 | 37 | 36 | | | 33 |
| | | | | | | 73 | | | | 32 | | 30 | 29 | 28 | | 26 | 25 | 24 | 23 | 22 | 21 | 20 | | | | | |
| SALEABLE | NOT APPLICABLE | 34566-8723 | 0 | C | BLUE | | 71 | 70 | | | | 66 | | 64 | | | 61 | 60 | | | 57 | | | 54 | | | |
| | | | | | | 52 | 51 | 50 | 49 | 48 | | | 45 | 44 | | | 41 | | | 37 | | | | | | 34 | 33 |
| | | | | | | 73 | | | | 32 | | | | 28 | 27 | | | 25 | | | | | | | | | 18 |
| SALEABLE | NOT APPLICABLE | 34566-8733 | 0 | A | BLACK | 72 | 71 | 70 | 69 | 68 | | 66 | 65 | 64 | 63 | | | 60 | | | 57 | 56 | | | 54 | | |
| | | | | | | 52 | 51 | 50 | 49 | 48 | | 46 | 45 | 44 | 43 | 42 | | 40 | 39 | 38 | 37 | 36 | | | | 34 | |
| | | | | | | 73 | | | | 32 | 31 | 30 | 29 | 28 | | | | | 23 | 22 | 21 | 20 | | | | | |
| SALEABLE | NOT APPLICABLE | 34566-8743 | 0 | C | BLUE | | | | | 67 | 66 | | 64 | | | | | | | | | | | 54 | | | |
| | | | | | | 52 | 51 | 50 | 49 | | 47 | 46 | | 44 | | | | | 39 | 38 | | | | | | | |
| | | | | | | 73 | | | | | | 30 | 29 | 28 | 27 | 26 | 25 | 24 | 23 | 22 | 21 | | | | | | |
| SALEABLE | NOT APPLICABLE | 34566-8753 | 0 | B | ST GRAY | 72 | 71 | 70 | 69 | 68 | 67 | 66 | 65 | 64 | 63 | | 61 | 60 | | 58 | 57 | 56 | 55 | 54 | 53 | | |
| | | | | | | 52 | 51 | 50 | 49 | 48 | 47 | 46 | 45 | 44 | 43 | | 40 | | | 37 | 36 | 35 | 34 | 33 | | | |
| | | | | | | 73 | | | | 32 | | 30 | 29 | 28 | | 26 | 25 | 24 | | 21 | | 19 | | | | | |

MX123 52/66/73/80-WAY RECEPTACLE ASSY SEALED PIN OUT SHEET

| STATUS | GM PART # | HRNS CONN ASSY | | | TPA | GROMMET CAP | | | | | | | | | | | | | | | | | | | | | |
|----------|----------------|----------------|-------------------|------------------|--------------------|---|----|----|----|----|----|----|----|----|----|----|----|----|----|----|----|----|----|----|----|----|----|
| | | MATERIAL/PART | WIRE DRESS OPTION | KEY OPTION Fp | COLOR OPTION Fp | NUMBERS INDICATE CAVITIES OPEN FOR CIRCUITS | | | | | | | | | | | | | | | | | | | | | |
| | | NUMBER | | | | Fp | | | | | | | | | | | | | | | | | | | | | |
| SALEABLE | NOT APPLICABLE | 34566-8763 | 0 | A | BLACK | 72 | 71 | 70 | | | | 67 | 66 | | | | | | 59 | 58 | 57 | 56 | 55 | 54 | 53 | | |
| | | | | | | 52 | 51 | 50 | | | | 47 | 46 | | | | | | | 39 | | 37 | 36 | 35 | | 18 | 17 |
| | | | | | | 73 | | | | 32 | 31 | 30 | 29 | 28 | 27 | 26 | | | | | 21 | | | | | 3 | 2 |
| SALEABLE | 12672857 | 34822-0243 | 9 | A | BLACK | 64 | 63 | 62 | 61 | 60 | 59 | | | | | 54 | 53 | | 51 | | 49 | 66 | | | | | |
| | | | | | | | 47 | | | | | | | | | 38 | 37 | | 35 | | 33 | | | | | | |
| | | | | | | 65 | | | | | | | | 28 | | | | 25 | 24 | | 22 | 21 | 20 | 19 | 18 | 17 | |
| SALEABLE | NOT APPLICABLE | 34822-0253 | 0 | A | BLACK | | 63 | 62 | 61 | 60 | 59 | | | | | 54 | 53 | | 49 | 66 | | | | | | | |
| | | | | | | | | | | | | | | | 38 | 37 | | 35 | | 33 | | | | | | | |
| | | | | | | 65 | | | | | | | | 28 | | | | 24 | 23 | 22 | 21 | 20 | 19 | 18 | 17 | | |
| SALEABLE | NOT APPLICABLE | 34822-0263 | 9 | C | BLUE | 64 | 63 | 62 | | 60 | 59 | | | | 54 | 53 | | 51 | | 49 | 66 | | | | | | |
| | | | | | | 48 | 47 | 46 | 45 | | | | | | 39 | 37 | | 35 | | 33 | | | | | | | |
| | | | | | | 65 | | | | 32 | 30 | 29 | 28 | 27 | 26 | 25 | 24 | 23 | 22 | 21 | | | 19 | 18 | 17 | | |
| SALEABLE | NOT APPLICABLE | 34822-0273 | 9 | A | BLACK | 64 | 63 | | | | | | | | 54 | 53 | | 51 | | 49 | 66 | | | | | | |
| | | | | | | | 47 | | | | | | | | 38 | 37 | | 35 | | 33 | | | | | | | |
| | | | | | | 65 | | | | | | | | 28 | | | | | | 22 | | 20 | 19 | 18 | 17 | | |
| SALEABLE | NOT APPLICABLE | 34822-0283 | 0 | A | BLACK | | | | 61 | 60 | 59 | | | 58 | | 56 | 55 | | 51 | | 49 | 66 | | | | | |
| | | | | | | | | | | | | | | | | | | | | | | | | | | | |
| | | | | | | 65 | | | | 32 | | | | | | | | | | | | | | | | | 17 |
| SALEABLE | NOT APPLICABLE | 34822-0293 | 0 | A | BLACK | 64 | 63 | | | | | | | | 54 | 53 | | 51 | | 49 | 66 | | | | | | |
| | | | | | | | 47 | | | | | | | | 38 | 37 | | 35 | | 33 | | | | | | | |
| | | | | | | 65 | | | | | | | | 28 | | | | | | 22 | | 20 | 19 | 18 | 17 | | |
| SALEABLE | NOT APPLICABLE | 34566-8773 | 9 | B | ST GRAY | 72 | | 70 | | 68 | | | | | 62 | 61 | 60 | 59 | | | | | 55 | | | | |
| | | | | | | 52 | | | | 48 | 47 | 46 | | | 43 | | | 40 | | | | | | | | | |
| | | | | | | 73 | | | | | | 30 | | | | | | | | 22 | 21 | 20 | 19 | 18 | 17 | | |
| SALEABLE | NOT APPLICABLE | 34566-8783 | 9 | A | BLACK | 72 | 71 | 70 | 69 | 68 | | | 66 | 65 | 64 | 63 | | 61 | 60 | | 57 | 56 | | 54 | 53 | | |
| | | | | | | 52 | 51 | 50 | 49 | 48 | | | 46 | 45 | 44 | 43 | | 40 | 39 | 38 | 37 | 36 | | 34 | 33 | | |
| | | | | | | 73 | | | | 32 | 31 | 30 | 29 | 28 | | | | | | 23 | 22 | 21 | | | | | 2 |
| SALEABLE | NOT APPLICABLE | 34566-8793 | 9 | C | BLUE | | 71 | 70 | | | 67 | 66 | 65 | | | 61 | 60 | | 57 | | | | | 54 | | | |
| | | | | | | 52 | 51 | 50 | 49 | 48 | 47 | | 45 | 44 | | | 41 | | | 37 | | | | | 34 | 33 | |
| | | | | | | 73 | | | | 32 | | | | 28 | 27 | | 25 | | | | | | | | | 18 | 17 |
| SALEABLE | NOT APPLICABLE | 34566-8813 | 9 | B | ST GRAY | 72 | 71 | 70 | 69 | 68 | 67 | | | 65 | 64 | 63 | | 61 | 60 | 59 | | 57 | 56 | 55 | 54 | 53 | |
| | | | | | | 52 | 51 | 50 | 49 | 48 | 47 | 46 | 45 | 44 | 43 | 42 | | 40 | 39 | | | 36 | 35 | 34 | 33 | | |
| | | | | | | 73 | | | | 32 | 31 | 30 | 29 | 28 | 27 | 26 | 25 | 24 | 23 | 22 | 21 | | | | | | |
| SALEABLE | NOT APPLICABLE | 34566-8823 | 9 | C | BLUE | | 71 | 70 | 69 | | 67 | 66 | | 64 | | | 60 | | | | | | | | 54 | | |
| | | | | | | 52 | 51 | 50 | 49 | | 47 | 46 | | 44 | | | 40 | 39 | | | | | | | | | |
| | | | | | | 73 | | | | | | 30 | 29 | 28 | 27 | 26 | 25 | 24 | 23 | 22 | 21 | | | | | | |
| SALEABLE | NOT APPLICABLE | 34566-8833 | 9 | C | BLUE | 72 | | 70 | | 68 | 67 | 66 | | | 63 | 62 | | 59 | | 57 | | | | | 54 | 53 | |
| | | | | | | 52 | 51 | | 49 | 48 | 47 | 46 | | 44 | | | 41 | 40 | 39 | | 37 | 36 | 35 | 34 | 33 | | |
| | | | | | | 73 | | | | 32 | | 30 | | | 27 | 26 | 25 | 24 | | 22 | 21 | 20 | | | | | 2 |
| SALEABLE | NOT APPLICABLE | 34566-8843 | 0 | C | BLUE | | | 70 | 69 | | 67 | 66 | | 64 | | | | | | | | | | | 54 | | |
| | | | | | | 52 | 51 | 50 | 49 | | 47 | 46 | | 44 | | | 41 | | 39 | 38 | | | | | | | |
| | | | | | | 73 | | | | | | 30 | 29 | 28 | 27 | 26 | 25 | 24 | 23 | 22 | 21 | | | | | | |
| SALEABLE | NOT APPLICABLE | 34566-8853 | 0 | B | ST GRAY | 72 | | | | 68 | 67 | | | | 63 | 62 | 61 | 60 | 59 | | | | | 55 | | | |
| | | | | | | 52 | | | | 48 | 47 | 46 | | 44 | 43 | | 41 | 40 | | 38 | 37 | 36 | 35 | | | | |
| | | | | | | 73 | | | | | | 30 | | | 27 | | | | | 22 | 21 | 20 | 19 | 18 | | | 1 |

MX123 52/66/73/80-WAY RECEPTACLE ASSY SEALED PIN OUT SHEET

| STATUS | GM PART # | HRNS CONN ASSY | | | TPA | GROMMET CAP | | | | | | | | | | | | | | | | | | | | | | | | | | | | | | | | | | | | | | | | | | | | | | | | | | | | | | | | | | | | | | | | | | | | | | | | | | | | | | | | | | | | | | | | | | | | | | | | | | | | | | | | | | | | | | | | | | | | | | | | | | | | | | | | | | | | | | | | | | | | | | | | | | | | | | | | | | | | | | | | | | | | | | | | | | | | | | | | | | | | | | | | | | | | | | | | | | | | | | | | | | | | | | | | | | | | | | | | | | | | | | | | | | | | | | | | | | | | | | | | | | | | | | | | | | | | | | | | | | | | | | | | | | | | | | | | | | | | | | | | | | | | | | | | | | | | | | | | | | | | | | | | | | | | | | | | | | | | | | | | | | | | | | | | | | | | | | | | | | | | | | | | | | | | | | | | | | | | | | | | | | | | | | | | | | | | | | | | | | | | | | | | | | | | | | | | | | | | | | | | | | | | | | | | | | | | | | | | | | | | | | | | | | | | | | | | | | | | | | | | | | | | | | | | | | | | | | | | | | | | | | | | | | | | | | | | | | | | | | | | | | | | | | | | | | | | | | | | | | | | | | | | | | | | | | | | | | | | | | | | | | | | | | | | | | | | | | | | | | | | | | | | | | | | | | | | | | | | | | | | | | | | | | | | | | | | | | | | | | | | | | | | | | | | | | | | | | | | | | | | | | | | | | | | | | | | | | | | | | | | | | | | | | | | | | | | | | | | | | | | | | | | | | | | | | | | | | | | | | | | | | | | | | | | | | | | | | | | | | | | | | | | | | | | | | | | | | | | | | | | | | | | | | | | | | | | | | | | | | | | | | | | | | | | | | | | | | | | | | | | | | | | | | | | | | | | | | | | | | | | | | | | | | | | | | | | | | | | | | | | | | | | | | | | | | | | | | | | | | | | | | | | | | | | | | | | | | | | | | | | | | | | | | | | | | | | | | | | | | | | | | | | | | | | | | | | | | | | | | | | | | | | | | | | | | | | | | | | | | | | | | | | | | | | | | | | | | | | | | | | | | | | | | | | | | | | | | | | | | | | | | | | | | | | | | | | | | | | | | | | | | | | | | | | | | | | | | | | | | | | | | | | | | | | | | | | | | | | | | | | | | | | | | | | | | | | | | | | | | | | | | | | | | | | | | | | | | | | | | | | | | | | | | | | | | | | | | | | | | | | | | | | | | | | | | | | | | | | | | | | | | | | | | | | | | | | | | | | | | | | | | | | | | | | | | | | | | | | | | | | | | | | | | | | | | | | | | | | | | | | | | | | | | | | | | | | | | | | | | | | | | | | | | | | | | | | | | | | | | | | | | | | | | | | | | | | | | | | | | | | | | | | | | | | | | | | | | | | | | | | | | | | | | | | | | | | | | | | | | | | | | | | | | | | | | | | | | | | | | | | | | | | | | | | | | | | | | | | | | | | | | | | | | | | | | | | | | | | | | | | | | | | | | | | | | | | | | | | | | | | | | | | | | | | | | | | | | | | | | | | | | | | | | | | | | | | | | | | | | | | | | | | | | | |
|----------|----------------|----------------|-------------------|--|--|---|----|----|----|----|----|----|----|----|----|----|----|----|----|----|----|----|----|----|----|----|----|----|--|----|----|----|----|----|----|----|----|----|----|----|----|----|----|----|----|----|----|----|----|----|----|----|--|--|--|--|--|----|----|----|----|----|----|----|----|----|----|----|----|----|----|----|----|----|----|----|----|----|----|----|----|----|--|--|--|----------|----------------|------------|----------------|----------------|------------|---|--------|--------|----|----|----|----|----|----|----|----|----|----|----|----|----|----|----|----|----|----|----|----|--|----|----|--|----|----|----|----|----|----|----|----|----|----|----|----|----|----|----|----|----|----|----|----|----|----|----|--|--|--|----|----|----|----|----|----|----|----|----|----|----|----|----|----|----|----|----|----|----|----|----|----|----|----|----|----|----|----------|----------------|------------|----------|----------------|----------------|----------------|----------------|------------|--------|-------|--------|----|----|----|----|----|----|----|----|----|----|----|----|----|----|----|----|----|----|----|--|--|----|----|--|----|----|----|----|----|----|----|----|----|----|----|----|----|----|----|----|----|----|----|----|----|----|----|----|--|--|--|--|----|----|----|----|----|----|----|----|----|----|----|----|----|----|----|----|----|----|----|----|----|----|----|----|----|----------|----------------|------------|----------|----------------|----------------|----------------|----------------|------------|-------|-------|--------|----|----|----|----|----|----|----|----|----|----|----|----|----|----|----|----|----|----|----|--|--|----|----|----|----|----|----|----|----|----|----|----|----|----|----|----|----|----|----|----|----|----|----|----|----|----|----|----|--|--|--|----|----|----|----|----|----|----|----|----|----|----|----|----|----|----|----|----|----|----|----|----|----|----|----|----|----|----------|----------------|------------|----------|----------------|----------------|----------------|----------------|------------|-------|--------|--------|----|----|----|----|----|----|----|----|----|----|----|----|----|----|----|----|----|----|--|--|--|----|----|----|----|----|----|----|----|----|----|----|----|----|----|----|----|----|----|----|----|----|----|----|----|----|----|----|--|--|----|----|----|----|----|----|----|----|----|----|----|----|----|----|----|----|----|----|----|----|----|----|----|----|----|----|----|----------|----------------|------------|----------|----------------|----------------|----------------|----------------|------------|------|--------|--------|----|----|----|----|----|----|----|----|----|----|----|----|----|----|----|----|----|--|--|--|--|----|----|----|----|----|----|----|----|----|----|----|----|----|----|----|----|----|----|----|----|----|----|----|----|----|----|----|--|--|--|----|----|----|----|----|----|----|----|----|----|----|----|----|----|----|----|----|----|----|----|----|----|----|----|----|----|----------|----------------|------------|----------|----------------|----------------|----------------|----------------|------------|--------|--------|-------|----|----|----|----|----|----|----|----|----|----|----|----|----|--|----|----|----|--|--|--|--|----|----|----|----|----|----|----|----|----|----|----|----|----|----|----|----|----|----|----|----|----|----|----|----|----|--|----|--|--|--|----|----|----|----|----|----|----|----|----|----|----|----|----|----|----|----|----|----|----|----|----|----|----|----|----|--|----------|----------------|------------|----------|----------------|----------------|----------------|----------------|------------|------|--------|-------|----|----|----|----|----|----|----|----|----|----|----|----|----|--|----|----|--|--|--|--|--|----|----|----|----|----|----|----|----|----|----|----|----|----|----|----|----|----|----|----|----|----|----|----|----|----|--|----|--|--|--|----|----|----|----|----|----|----|----|----|----|----|----|----|----|----|----|----|----|----|----|----|----|----|----|----|--|----------|----------------|------------|----------|----------------|----------------|----------------|----------------|------------|--------|-------|-------|----|----|----|----|----|----|----|----|----|----|----|----|--|--|----|----|--|--|--|--|--|----|----|----|----|----|----|----|----|----|----|----|----|----|----|----|----|----|----|----|----|----|----|----|----|--|--|----|--|--|--|----|----|----|----|----|----|----|----|----|----|----|----|----|----|----|----|--|--|----|----|----|----|----|----|----|--|----------|----------------|------------|----------|----------------|----------------|----------------|------------|--------|-------|-------|----|----|----|----|----|----|----|----|----|----|----|----|----|--|----|----|---|--|--|--|--|--|----|----|----|----|----|----|----|----|----|----|----|----|----|----|----|----|----|----|----|----|----|----|----|--|--|--|----|--|--|--|----|----|----|----|----|----|----|----|----|----|----|----|----|----|--|--|--|----|----|----|----|----|----|--|----|--|----------|----------------|------------|----------------|----------------|----------------|----------------|------------|-------|------|-------|----|----|----|--|----|----|----|----|----|--|----|----|--|----|----|--|---|--|--|--|--|----|----|----|----|----|----|----|----|----|----|----|----|----|----|----|----|----|----|----|----|----|----|--|--|--|--|--|----|--|--|----|----|----|----|----|----|----|----|----|----|----|----|---|----|----|--|--|----|----|----|--|--|--|--|--|----|----------|----------------|------------|----------|----------------|----------------|----------------|------------|-------|------|-------|----|----|--|--|----|----|--|----|----|--|----|----|--|--|----|--|--|---|--|--|--|--|----|----|----|----|----|----|----|----|----|----|----|----|--|----|----|----|----|----|----|----|----|----|--|--|--|--|----|--|--|--|----|----|----|----|----|----|--|--|--|----|----|--|----|----|--|--|--|----|--|--|--|--|--|--|----|--|----------|----------------|------------|----------------|------------|----------------|------------|-------|---|-------|--|--|----|--|--|--|----|--|--|----|--|--|--|--|--|--|--|---|--|--|--|--|----|----|----|----|--|--|----|--|--|----|--|----|--|--|----|----|----|----|----|----|----|----|--|--|--|--|--|----|--|--|--|----|----|----|----|----|--|--|--|--|--|--|----|----|--|--|--|----|--|--|--|--|--|--|--|----|----------|----------------|------------|----------------|------------|--------|---|-------|--|--|--|--|----|--|--|--|----|--|--|----|--|--|--|--|--|--|--|--|---|--|--|--|----|----|--|--|--|--|----|--|--|----|--|----|--|--|----|----|----|----|----|----|----|----|--|--|--|--|--|----|--|--|--|--|----|----|----|----|--|--|--|--|--|--|---|---|--|--|--|--|--|--|--|--|--|--|--|----|----------|----------------|------------|---|---|--------|--|--|--|--|--|--|----|--|--|--|----|--|--|----|--|--|--|--|--|--|--|--|---|--|--|--|--|--|--|--|--|--|--|--|--|--|--|----|--|--|----|----|--|--|--|--|--|--|--|--|--|--|--|----|--|--|--|--|--|--|--|--|--|--|--|--|--|--|--|--|--|--|--|--|--|--|--|--|--|--|--|----|--|--|--|--|--|--|--|--|--|--|--|--|--|--|--|--|--|--|--|--|--|--|--|--|--|--|--|--|---|
| | | MATERIAL/PART | WIRE DRESS OPTION | KEY OPTION  | COLOR OPTION  | NUMBERS INDICATE CAVITIES OPEN FOR CIRCUITS  | | | | | | | | | | | | | | | | | | | | | | | | | | | | | | | | | | | | | | | | | | | | | | | | | | | | | | | | | | | | | | | | | | | | | | | | | | | | | | | | | | | | | | | | | | | | | | | | | | | | | | | | | | | | | | | | | | | | | | | | | | | | | | | | | | | | | | | | | | | | | | | | | | | | | | | | | | | | | | | | | | | | | | | | | | | | | | | | | | | | | | | | | | | | | | | | | | | | | | | | | | | | | | | | | | | | | | | | | | | | | | | | | | | | | | | | | | | | | | | | | | | | | | | | | | | | | | | | | | | | | | | | | | | | | | | | | | | | | | | | | | | | | | | | | | | | | | | | | | | | | | | | | | | | | | | | | | | | | | | | | | | | | | | | | | | | | | | | | | | | | | | | | | | | | | | | | | | | | | | | | | | | | | | | | | | | | | | | | | | | | | | | | | | | | | | | | | | | | | | | | | | | | | | | | | | | | | | | | | | | | | | | | | | | | | | | | | | | | | | | | | | | | | | | | | | | | | | | | | | | | | | | | | | | | | | | | | | | | | | | | | | | | | | | | | | | | | | | | | | | | | | | | | | | | | | | | | | | | | | | | | | | | | | | | | | | | | | | | | | | | | | | | | | | | | | | | | | | | | | | | | | | | | | | | | | | | | | | | | | | | | | | | | | | | | | | | | | | | | | | | | | | | | | | | | | | | | | | | | | | | | | | | | | | | | | | | | | | | | | | | | | | | | | | | | | | | | | | | | | | | | | | | | | | | | | | | | | | | | | | | | | | | | | | | | | | | | | | | | | | | | | | | | | | | | | | | | | | | | | | | | | | | | | | | | | | | | | | | | | | | | | | | | | | | | | | | | | | | | | | | | | | | | | | | | | | | | | | | | | | | | | | | | | | | | | | | | | | | | | | | | | | | | | | | | | | | | | | | | | | | | | | | | | | | | | | | | | | | | | | | | | | | | | | | | | | | | | | | | | | | | | | | | | | | | | | | | | | | | | | | | | | | | | | | | | | | | | | | | | | | | | | | | | | | | | | | | | | | | | | | | | | | | | | | | | | | | | | | | | | | | | | | | | | | | | | | | | | | | | | | | | | | | | | | | | | | | | | | | | | | | | | | | | | | | | | | | | | | | | | | | | | | | | | | | | | | | | | | | | | | | | | | | | | | | | | | | | | | | | | | | | | | | | | | | | | | | | | | | | | | | | | | | | | | | | | | | | | | | | | | | | | | | | | | | | | | | | | | | | | | | | | | | | | | | | | | | | | | | | | | | | | | | | | | | | | | | | | | | | | | | | | | | | | | | | | | | | | | | | | | | | | | | | | | | | | | | | | | | | | | | | | | | | | | | | | | | | | | | | | | | | | | | | | | | | | | | | | | | | | | | | | | | | | | | | | | | | | | | | | | | | | | | | | | | | | | | | | | | | | | | | | | | | | | | | | | | | | | | | | | | | | | | | | | | | | | | | | | | | | | | | | | | | | | | | | | | | | | | | | | | | | | | | | | | | | | | | | | | | | | | | | | | | |
| | | NUMBER | | | | | | | | | | | | | | | | | | | | | | | | | | | | | | | | | | | | | | | | | | | | | | | | | | | | | | | | | | | | | | | | | | | | | | | | | | | | | | | | | | | | | | | | | | | | | | | | | | | | | | | | | | | | | | | | | | | | | | | | | | | | | | | | | | | | | | | | | | | | | | | | | | | | | | | | | | | | | | | | | | | | | | | | | | | | | | | | | | | | | | | | | | | | | | | | | | | | | | | | | | | | | | | | | | | | | | | | | | | | | | | | | | | | | | | | | | | | | | | | | | | | | | | | | | | | | | | | | | | | | | | | | | | | | | | | | | | | | | | | | | | | | | | | | | | | | | | | | | | | | | | | | | | | | | | | | | | | | | | | | | | | | | | | | | | | | | | | | | | | | | | | | | | | | | | | | | | | | | | | | | | | | | | | | | | | | | | | | | | | | | | | | | | | | | | | | | | | | | | | | | | | | | | | | | | | | | | | | | | | | | | | | | | | | | | | | | | | | | | | | | | | | | | | | | | | | | | | | | | | | | | | | | | | | | | | | | | | | | | | | | | | | | | | | | | | | | | | | | | | | | | | | | | | | | | | | | | | | | | | | | | | | | | | | | | | | | | | | | | | | | | | | | | | | | | | | | | | | | | | | | | | | | | | | | | | | | | | | | | | | | | | | | | | | | | | | | | | | | | | | | | | | | | | | | | | | | | | | | | | | | | | | | | | | | | | | | | | | | | | | | | | | | | | | | | | | | | | | | | | | | | | | | | | | | | | | | | | | | | | | | | | | | | | | | | | | | | | | | | | | | | | | | | | | | | | | | | | | | | | | | | | | | | | | | | | | | | | | | | | | | | | | | | | | | | | | | | | | | | | | | | | | | | | | | | | | | | | | | | | | | | | | | | | | | | | | | | | | | | | | | | | | | | | | | | | | | | | | | | | | | | | | | | | | | | | | | | | | | | | | | | | | | | | | | | | | | | | | | | | | | | | | | | | | | | | | | | | | | | | | | | | | | | | | | | | | | | | | | | | | | | | | | | | | | | | | | | | | | | | | | | | | | | | | | | | | | | | | | | | | | | | | | | | | | | | | | | | | | | | | | | | | | | | | | | | | | | | | | | | | | | | | | | | | | | | | | | | | | | | | | | | | | | | | | | | | | | | | | | | | | | | | | | | | | | | | | | | | | | | | | | | | | | | | | | | | | | | | | | | | | | | | | | | | | | | | | | | | | | | | | | | | | | | | | | | | | | | | | | | | | | | | | | | | | | | | | | | | | | | | | | | | | | | | | | | | | | | | | | | | | | | | | | | | | | | | | | | | | | | | | | | | | | | | | | | | | | | | | | | | | | | | | | | | | | | | | | | | | | | | | | | | | | | | | | | | | | | | | | | | | | | | | | | | | | | | | | | | | | | | | | | | | | | | | | | | | | | | | | | | | | | | | | | | | | | | | | | | | | | | | | | | | | | | | | | | | | | | | | | | | | | | | | | | | | | | | | | | | | | | | | | | | | | | | | | | | | | | | | | | | | | | | | | | | | |
| SALEABLE | NOT APPLICABLE | 34566-8863 | 0 | B | ST GRN | 72 | 71 | 70 | 69 | | | | | | 64 | 63 | | 61 | | | 58 | 57 | 56 | 55 | | | | | | | 52 | 51 | 50 | 49 | | | | | | | 43 | | | | | | | 38 | 37 | 36 | | | | | | | | 33 | 73 | | | | 32 | | 30 | 29 | 28 | | 26 | 25 | 24 | 23 | 22 | 21 | 20 | | | | | | | | | | | | | SALEABLE | NOT APPLICABLE | 34566-8873 | 0 | B | ST GRN | 72 | 71 | 70 | 69 | | | | | | 64 | 63 | | 61 | | | 58 | 57 | 56 | 55 | | | | | | | 52 | 51 | 50 | 49 | | | | | | | 43 | | | | | | | 38 | 37 | 36 | | | | | | | | 33 | 73 | | | | 32 | 31 | 30 | 29 | 28 | | 26 | 25 | 24 | 23 | 22 | 21 | 20 | | | | | | | | | | | | | SALEABLE | NOT APPLICABLE | 34566-8883 | 0 | B | ST GRN | 72 | 71 | 70 | 69 | 68 | 67 | 66 | 65 | 64 | 63 | | 61 | 60 | 59 | 58 | 57 | 56 | 55 | | | | | | | | | 52 | 51 | 50 | 49 | 48 | 47 | 46 | 45 | 44 | 43 | | 41 | 40 | 39 | 38 | 37 | 36 | 35 | 34 | 33 | | | | | | | | | 73 | | | | 32 | 31 | 30 | 29 | 28 | 27 | 26 | 25 | 24 | 23 | 22 | 21 | 20 | 19 | 18 | 17 | | | | | | | | | | SALEABLE | NOT APPLICABLE | 34566-8893 | 0 | A | BLACK | 72 | | 70 | | | 67 | 66 | 65 | | 63 | | | 60 | 59 | 58 | 57 | 56 | 55 | | | | | | | | | 52 | 51 | | 49 | 48 | 47 | 46 | 45 | | 43 | 42 | | 40 | 39 | 38 | 37 | 36 | 35 | | | | | | | | | | | 73 | | | | | | | | | 28 | 27 | | | | 23 | 22 | 21 | | | | | | | | | | 18 | 17 | SALEABLE | NOT APPLICABLE | 34566-8913 | 0 | A | BLACK | 72 | 71 | 70 | 69 | 68 | | 66 | 65 | 64 | 63 | | | 60 | | | 57 | 56 | | | | | | | | | 54 | 52 | 51 | 50 | 49 | 48 | | 46 | 45 | 44 | 43 | 42 | 41 | 40 | 39 | 38 | 37 | 36 | | | | | | | | | | | 34 | 73 | | | | 32 | 31 | 30 | 29 | 28 | | | | | | | | 23 | 22 | 21 | | | | | | | | | | | SALEABLE | NOT APPLICABLE | 34566-8923 | 0 | A | BLACK | | 71 | 70 | 69 | 68 | 67 | | | 64 | 63 | 62 | 61 | 60 | 59 | 58 | 57 | 56 | 55 | 54 | 53 | | | | | | | 52 | 51 | 50 | 49 | | | 46 | 45 | 44 | 43 | 42 | 41 | 40 | 39 | 38 | 37 | 36 | | | | | | | | | | | | 73 | | | | 32 | | | 29 | 28 | 27 | 26 | 25 | | | | | 21 | | | | | | | | | | | | | SALEABLE | NOT APPLICABLE | 34566-8933 | 0 | C | BLUE | 72 | 71 | | 69 | 68 | | 66 | 65 | | 63 | | | | 59 | 58 | | | 56 | | | | | | | | 53 | | | | | | | | | | 43 | | | | | 39 | 38 | | | 36 | | | | | | | | | | 73 | | | | | 31 | 30 | 29 | | | | | | | 24 | 23 | 22 | 21 | 20 | | | | | | | | | | | SALEABLE | NOT APPLICABLE | 34566-8943 | 0 | B | ST GRN | 72 | | | | 68 | | | | | | 62 | 61 | | | | | | | | | | | | | | 55 | 52 | | | | | | 46 | | | 43 | | | 40 | | | | | | | | | | | | | | | | 73 | | | | | | | | | | | | | | | | 22 | 21 | 20 | 19 | 18 | 17 | | | | | | | | SALEABLE | NOT APPLICABLE | 34566-8953 | 9 | C | BLUE | 72 | 71 | 70 | 69 | | 67 | 66 | | 64 | | | 60 | | | | | | | | | | | | | | 54 | 52 | 51 | 50 | 49 | | 47 | 46 | | 44 | | | | 40 | 39 | 38 | | | | | | | | | | | | | | 73 | | | | | | 30 | 29 | 28 | 27 | 26 | 25 | 24 | 23 | 22 | 21 | | | | | | | | | | | | | 17 | SALEABLE | NOT APPLICABLE | 34566-8963 | 0 | B | ST GRN | 72 | | | | 48 | 47 | 46 | | | | 62 | 61 | 60 | 59 | | | | | | | | | | | | 55 | 52 | | | | 48 | 47 | 46 | | | 43 | | 41 | 40 | | | | | 38 | 37 | 36 | 35 | | | | | | | | 73 | | | | | | 30 | | | | | | | | | | | 22 | 21 | 20 | 19 | 18 | 17 | | | | | | | SALEABLE | NOT APPLICABLE | 34566-8973 | 0 | A | BLACK | 72 | 71 | 70 | 69 | 68 | | 66 | 65 | 64 | 63 | | | 60 | | | 57 | 56 | | | | | | | | | 54 | 52 | 51 | 50 | 49 | 48 | | 46 | 45 | 44 | 43 | 42 | | 40 | 39 | 38 | 37 | 36 | | | | | | | | | | | 34 | 73 | | | | 32 | 31 | 30 | 29 | 28 | | | | | | | | 23 | 22 | 21 | | | | | | | | | | 17 | SALEABLE | NOT APPLICABLE | 34566-8983 | 0 | C | BLUE | | 71 | 70 | | | 67 | 66 | | 64 | | | 61 | 60 | | | 57 | | | | | | | | | | 54 | 52 | 51 | 50 | 49 | 48 | 47 | | 45 | 44 | | | 41 | | | | 37 | | | | | | | | | | | | 34 | 73 | | | | 32 | | | | 28 | 27 | | 25 | | | | | | | | | | | | | | | | | 18 | SALEABLE | NOT APPLICABLE | 34822-0303 | 0 | A | BLACK | | | | | | | | | | | | | | | | | | | | | | | | | 66 | 65 | | | | | | | | | | | | | | | | | | | | | | | | | | | | 63 | 62 | 61 | 60 | 59 | | | | | | | 54 | 53 | | | | 49 | | | | | | | | | | | SALEABLE | NOT APPLICABLE | 34822-0313 | 0 | A | BLACK | | | | | | | | | | | | | | | | | | | | | | | | | 66 | 65 | | | | | 31 | | | 28 | | | | | 24 | 23 | 22 | 21 | 20 | 19 | 18 | 17 | | | | | | | | | | | 16 | 15 | 14 | 13 | | | | | | | 8 | 7 | | | | | | | | | | | | | SALEABLE | NOT APPLICABLE | 34566-8993 | 0 | B | ST GRN | | | | | | | 66 | | | | 62 | | | 58 | | | | | | | | | | | | | | | | | | | | | | | | 41 | | | 38 | 37 | | | | | | | | | | | | 73 | | | | | | | | | | | | | | | | | | | | | | | | | | | | 19 | | | | | | | | | | | | | | | | | | | | | | | | | | | | | 1 |
| | | | | | | 52 | 51 | 50 | 49 | | | | | | | 43 | | | | | | | 38 | 37 | 36 | | | | | | | | 33 | | | | | | | | | | | | | | | | | | | | | | | | | | | | | | | | | | | | | | | | | | | | | | | | | | | | | | | | | | | | | | | | | | | | | | | | | | | | | | | | | | | | | | | | | | | | | | | | | | | | | | | | | | | | | | | | | | | | | | | | | | | | | | | | | | | | | | | | | | | | | | | | | | | | | | | | | | | | | | | | | | | | | | | | | | | | | | | | | | | | | | | | | | | | | | | | | | | | | | | | | | | | | | | | | | | | | | | | | | | | | | | | | | | | | | | | | | | | | | | | | | | | | | | | | | | | | | | | | | | | | | | | | | | | | | | | | | | | | | | | | | | | | | | | | | | | | | | | | | | | | | | | | | | | | | | | | | | | | | | | | | | | | | | | | | | | | | | | | | | | | | | | | | | | | | | | | | | | | | | | | | | | | | | | | | | | | | | | | | | | | | | | | | | | | | | | | | | | | | | | | | | | | | | | | | | | | | | | | | | | | | | | | | | | | | | | | | | | | | | | | | | | | | | | | | | | | | | | | | | | | | | | | | | | | | | | | | | | | | | | | | | | | | | | | | | | | | | | | | | | | | | | | | | | | | | | | | | | | | | | | | | | | | | | | | | | | | | | | | | | | | | | | | | | | | | | | | | | | | | | | | | | | | | | | | | | | | | | | | | | | | | | | | | | | | | | | | | | | | | | | | | | | | | | | | | | | | | | | | | | | | | | | | | | | | | | | | | | | | | | | | | | | | | | | | | | | | | | | | | | | | | | | | | | | | | | | | | | | | | | | | | | | | | | | | | | | | | | | | | | | | | | | | | | | | | | | | | | | | | | | | | | | | | | | | | | | | | | | | | | | | | | | | | | | | | | | | | | | | | | | | | | | | | | | | | | | | | | | | | | | | | | | | | | | | | | | | | | | | | | | | | | | | | | | | | | | | | | | | | | | | | | | | | | | | | | | | | | | | | | | | | | | | | | | | | | | | | | | | | | | | | | | | | | | | | | | | | | | | | | | | | | | | | | | | | | | | | | | | | | | | | | | | | | | | | | | | | | | | | | | | | | | | | | | | | | | | | | | | | | | | | | | | | | | | | | | | | | | | | | | | | | | | | | | | | | | | | | | | | | | | | | | | | | | | | | | | | | | | | | | | | | | | | | | | | | | | | | | | | | | | | | | | | | | | | | | | | | | | | | | | | | | | | | | | | | | | | | | | | | | | | | | | | | | | | | | | | | | | | | | | | | | | | | | | | | | | | | | | | | | | | | | | | | | | | | | | | | | | | | | | | | | | | | | | | | | | | | | | | | | | | | | | | | | | | | | | | | | | | | | | | | | | | | | | | | | | | | | | | | | | | | | | | | | | | | | | | | | | | | | | | | | | | | | | | | | | | | | | | | | | | | | | | | | | | | | | | | | | | | | | | | | | | | | | | | | | | | | | | | | | | | | | | | | | | | | | | | | | | | | | | | | | | | | | | | | | | | | | | | | | | | | | | | | | | | | | | | | | | | |
| | | | | | | 73 | | | | 32 | | 30 | 29 | 28 | | 26 | 25 | 24 | 23 | 22 | 21 | 20 | | | | | | | | | | | | | | | | | | | | | | | | | | | | | | | | | | | | | | | | | | | | | | | | | | | | | | | | | | | | | | | | | | | | | | | | | | | | | | | | | | | | | | | | | | | | | | | | | | | | | | | | | | | | | | | | | | | | | | | | | | | | | | | | | | | | | | | | | | | | | | | | | | | | | | | | | | | | | | | | | | | | | | | | | | | | | | | | | | | | | | | | | | | | | | | | | | | | | | | | | | | | | | | | | | | | | | | | | | | | | | | | | | | | | | | | | | | | | | | | | | | | | | | | | | | | | | | | | | | | | | | | | | | | | | | | | | | | | | | | | | | | | | | | | | | | | | | | | | | | | | | | | | | | | | | | | | | | | | | | | | | | | | | | | | | | | | | | | | | | | | | | | | | | | | | | | | | | | | | | | | | | | | | | | | | | | | | | | | | | | | | | | | | | | | | | | | | | | | | | | | | | | | | | | | | | | | | | | | | | | | | | | | | | | | | | | | | | | | | | | | | | | | | | | | | | | | | | | | | | | | | | | | | | | | | | | | | | | | | | | | | | | | | | | | | | | | | | | | | | | | | | | | | | | | | | | | | | | | | | | | | | | | | | | | | | | | | | | | | | | | | | | | | | | | | | | | | | | | | | | | | | | | | | | | | | | | | | | | | | | | | | | | | | | | | | | | | | | | | | | | | | | | | | | | | | | | | | | | | | | | | | | | | | | | | | | | | | | | | | | | | | | | | | | | | | | | | | | | | | | | | | | | | | | | | | | | | | | | | | | | | | | | | | | | | | | | | | | | | | | | | | | | | | | | | | | | | | | | | | | | | | | | | | | | | | | | | | | | | | | | | | | | | | | | | | | | | | | | | | | | | | | | | | | | | | | | | | | | | | | | | | | | | | | | | | | | | | | | | | | | | | | | | | | | | | | | | | | | | | | | | | | | | | | | | | | | | | | | | | | | | | | | | | | | | | | | | | | | | | | | | | | | | | | | | | | | | | | | | | | | | | | | | | | | | | | | | | | | | | | | | | | | | | | | | | | | | | | | | | | | | | | | | | | | | | | | | | | | | | | | | | | | | | | | | | | | | | | | | | | | | | | | | | | | | | | | | | | | | | | | | | | | | | | | | | | | | | | | | | | | | | | | | | | | | | | | | | | | | | | | | | | | | | | | | | | | | | | | | | | | | | | | | | | | | | | | | | | | | | | | | | | | | | | | | | | | | | | | | | | | | | | | | | | | | | | | | | | | | | | | | | | | | | | | | | | | | | | | | | | | | | | | | | | | | | | | | | | | | | | | | | | | | | | | | | | | | | | | | | | | | | | | | | | | | | | | | | | | | | | | | | | | | | | | | | | | | | | | | | | | | | | | | | | | | | | | | | | | | | | | | | | | | | | | | | | | | | | | | | | | | | | | | | | | | | | | | | | | | | | | | | | | | | | | | | | | | | | | | | | | | | | | | | | | | | | | | | | | | | | | | | | | | | | | | | | | | | | | | | | | | | | | | | | | | |
| SALEABLE | NOT APPLICABLE | 34566-8873 | 0 | B | ST GRN | 72 | 71 | 70 | 69 | | | | | | 64 | 63 | | 61 | | | 58 | 57 | 56 | 55 | | | | | | | 52 | 51 | 50 | 49 | | | | | | | 43 | | | | | | | 38 | 37 | 36 | | | | | | | | 33 | 73 | | | | 32 | 31 | 30 | 29 | 28 | | 26 | 25 | 24 | 23 | 22 | 21 | 20 | | | | | | | | | | | | | SALEABLE | NOT APPLICABLE | 34566-8883 | 0 | B | ST GRN | 72 | 71 | 70 | 69 | 68 | 67 | 66 | 65 | 64 | 63 | | 61 | 60 | 59 | 58 | 57 | 56 | 55 | | | | | | | | | 52 | 51 | 50 | 49 | 48 | 47 | 46 | 45 | 44 | 43 | | 41 | 40 | 39 | 38 | 37 | 36 | 35 | 34 | 33 | | | | | | | | | 73 | | | | 32 | 31 | 30 | 29 | 28 | 27 | 26 | 25 | 24 | 23 | 22 | 21 | 20 | 19 | 18 | 17 | | | | | | | | | | SALEABLE | NOT APPLICABLE | 34566-8893 | 0 | A | BLACK | 72 | | 70 | | | 67 | 66 | 65 | | 63 | | | 60 | 59 | 58 | 57 | 56 | 55 | | | | | | | | | 52 | 51 | | 49 | 48 | 47 | 46 | 45 | | 43 | 42 | | 40 | 39 | 38 | 37 | 36 | 35 | | | | | | | | | | | 73 | | | | | | | | | 28 | 27 | | | | 23 | 22 | 21 | | | | | | | | | | 18 | 17 | SALEABLE | NOT APPLICABLE | 34566-8913 | 0 | A | BLACK | 72 | 71 | 70 | 69 | 68 | | 66 | 65 | 64 | 63 | | | 60 | | | 57 | 56 | | | | | | | | | 54 | 52 | 51 | 50 | 49 | 48 | | 46 | 45 | 44 | 43 | 42 | 41 | 40 | 39 | 38 | 37 | 36 | | | | | | | | | | | 34 | 73 | | | | 32 | 31 | 30 | 29 | 28 | | | | | | | | 23 | 22 | 21 | | | | | | | | | | | SALEABLE | NOT APPLICABLE | 34566-8923 | 0 | A | BLACK | | 71 | 70 | 69 | 68 | 67 | | | 64 | 63 | 62 | 61 | 60 | 59 | 58 | 57 | 56 | 55 | 54 | 53 | | | | | | | 52 | 51 | 50 | 49 | | | 46 | 45 | 44 | 43 | 42 | 41 | 40 | 39 | 38 | 37 | 36 | | | | | | | | | | | | 73 | | | | 32 | | | 29 | 28 | 27 | 26 | 25 | | | | | 21 | | | | | | | | | | | | | SALEABLE | NOT APPLICABLE | 34566-8933 | 0 | C | BLUE | 72 | 71 | | 69 | 68 | | 66 | 65 | | 63 | | | | 59 | 58 | | | 56 | | | | | | | | 53 | | | | | | | | | | 43 | | | | | 39 | 38 | | | 36 | | | | | | | | | | 73 | | | | | 31 | 30 | 29 | | | | | | | 24 | 23 | 22 | 21 | 20 | | | | | | | | | | | SALEABLE | NOT APPLICABLE | 34566-8943 | 0 | B | ST GRN | 72 | | | | 68 | | | | | | 62 | 61 | | | | | | | | | | | | | | 55 | 52 | | | | | | 46 | | | 43 | | | 40 | | | | | | | | | | | | | | | | 73 | | | | | | | | | | | | | | | | 22 | 21 | 20 | 19 | 18 | 17 | | | | | | | | SALEABLE | NOT APPLICABLE | 34566-8953 | 9 | C | BLUE | 72 | 71 | 70 | 69 | | 67 | 66 | | 64 | | | 60 | | | | | | | | | | | | | | 54 | 52 | 51 | 50 | 49 | | 47 | 46 | | 44 | | | | 40 | 39 | 38 | | | | | | | | | | | | | | 73 | | | | | | 30 | 29 | 28 | 27 | 26 | 25 | 24 | 23 | 22 | 21 | | | | | | | | | | | | | 17 | SALEABLE | NOT APPLICABLE | 34566-8963 | 0 | B | ST GRN | 72 | | | | 48 | 47 | 46 | | | | 62 | 61 | 60 | 59 | | | | | | | | | | | | 55 | 52 | | | | 48 | 47 | 46 | | | 43 | | 41 | 40 | | | | | 38 | 37 | 36 | 35 | | | | | | | | 73 | | | | | | 30 | | | | | | | | | | | 22 | 21 | 20 | 19 | 18 | 17 | | | | | | | SALEABLE | NOT APPLICABLE | 34566-8973 | 0 | A | BLACK | 72 | 71 | 70 | 69 | 68 | | 66 | 65 | 64 | 63 | | | 60 | | | 57 | 56 | | | | | | | | | 54 | 52 | 51 | 50 | 49 | 48 | | 46 | 45 | 44 | 43 | 42 | | 40 | 39 | 38 | 37 | 36 | | | | | | | | | | | 34 | 73 | | | | 32 | 31 | 30 | 29 | 28 | | | | | | | | 23 | 22 | 21 | | | | | | | | | | 17 | SALEABLE | NOT APPLICABLE | 34566-8983 | 0 | C | BLUE | | 71 | 70 | | | 67 | 66 | | 64 | | | 61 | 60 | | | 57 | | | | | | | | | | 54 | 52 | 51 | 50 | 49 | 48 | 47 | | 45 | 44 | | | 41 | | | | 37 | | | | | | | | | | | | 34 | 73 | | | | 32 | | | | 28 | 27 | | 25 | | | | | | | | | | | | | | | | | 18 | SALEABLE | NOT APPLICABLE | 34822-0303 | 0 | A | BLACK | | | | | | | | | | | | | | | | | | | | | | | | | 66 | 65 | | | | | | | | | | | | | | | | | | | | | | | | | | | | 63 | 62 | 61 | 60 | 59 | | | | | | | 54 | 53 | | | | 49 | | | | | | | | | | | SALEABLE | NOT APPLICABLE | 34822-0313 | 0 | A | BLACK | | | | | | | | | | | | | | | | | | | | | | | | | 66 | 65 | | | | | 31 | | | 28 | | | | | 24 | 23 | 22 | 21 | 20 | 19 | 18 | 17 | | | | | | | | | | | 16 | 15 | 14 | 13 | | | | | | | 8 | 7 | | | | | | | | | | | | | SALEABLE | NOT APPLICABLE | 34566-8993 | 0 | B | ST GRN | | | | | | | 66 | | | | 62 | | | 58 | | | | | | | | | | | | | | | | | | | | | | | | 41 | | | 38 | 37 | | | | | | | | | | | | 73 | | | | | | | | | | | | | | | | | | | | | | | | | | | | 19 | | | | | | | | | | | | | | | | | | | | | | | | | | | | | 1 | | | | | | | | | | | | | | | | | | | | | | | | | | | | | | | | | | | | | | | | | | | | | | | | | | | | | | | | | | | | | | | | | | | | | | | | | | | | | | | | | | | | | | | | |
| | | | | | | 52 | 51 | 50 | 49 | | | | | | | 43 | | | | | | | 38 | 37 | 36 | | | | | | | | 33 | | | | | | | | | | | | | | | | | | | | | | | | | | | | | | | | | | | | | | | | | | | | | | | | | | | | | | | | | | | | | | | | | | | | | | | | | | | | | | | | | | | | | | | | | | | | | | | | | | | | | | | | | | | | | | | | | | | | | | | | | | | | | | | | | | | | | | | | | | | | | | | | | | | | | | | | | | | | | | | | | | | | | | | | | | | | | | | | | | | | | | | | | | | | | | | | | | | | | | | | | | | | | | | | | | | | | | | | | | | | | | | | | | | | | | | | | | | | | | | | | | | | | | | | | | | | | | | | | | | | | | | | | | | | | | | | | | | | | | | | | | | | | | | | | | | | | | | | | | | | | | | | | | | | | | | | | | | | | | | | | | | | | | | | | | | | | | | | | | | | | | | | | | | | | | | | | | | | | | | | | | | | | | | | | | | | | | | | | | | | | | | | | | | | | | | | | | | | | | | | | | | | | | | | | | | | | | | | | | | | | | | | | | | | | | | | | | | | | | | | | | | | | | | | | | | | | | | | | | | | | | | | | | | | | | | | | | | | | | | | | | | | | | | | | | | | | | | | | | | | | | | | | | | | | | | | | | | | | | | | | | | | | | | | | | | | | | | | | | | | | | | | | | | | | | | | | | | | | | | | | | | | | | | | | | | | | | | | | | | | | | | | | | | | | | | | | | | | | | | | | | | | | | | | | | | | | | | | | | | | | | | | | | | | | | | | | | | | | | | | | | | | | | | | | | | | | | | | | | | | | | | | | | | | | | | | | | | | | | | | | | | | | | | | | | | | | | | | | | | | | | | | | | | | | | | | | | | | | | | | | | | | | | | | | | | | | | | | | | | | | | | | | | | | | | | | | | | | | | | | | | | | | | | | | | | | | | | | | | | | | | | | | | | | | | | | | | | | | | | | | | | | | | | | | | | | | | | | | | | | | | | | | | | | | | | | | | | | | | | | | | | | | | | | | | | | | | | | | | | | | | | | | | | | | | | | | | | | | | | | | | | | | | | | | | | | | | | | | | | | | | | | | | | | | | | | | | | | | | | | | | | | | | | | | | | | | | | | | | | | | | | | | | | | | | | | | | | | | | | | | | | | | | | | | | | | | | | | | | | | | | | | | | | | | | | | | | | | | | | | | | | | | | | | | | | | | | | | | | | | | | | | | | | | | | | | | | | | | | | | | | | | | | | | | | | | | | | | | | | | | | | | | | | | | | | | | | | | | | | | | | | | | | | | | | | | | | | | | | | | | | | | | | | | | | | | | | | | | | | | | | | | | | | | | | | | | | | | | | | | | | | | | | | | | | | | | | | | | | | | | | | | | | | | | | | | | | | | | | | | | | | | | | | | | | | | | | | | | | | | | | | | | | | | | | | | | | | | | | | | | | | | | | | | | | | | | | | | | | | | | | | | | | | | | | | | | | | | | | | | | | | | | | | | | | | | | | | | | | | | | | | | | | | | | | | | | | | | | | | | | | | | | | | | | | | | | | | | | | | | |
| | | | | | | 73 | | | | 32 | 31 | 30 | 29 | 28 | | 26 | 25 | 24 | 23 | 22 | 21 | 20 | | | | | | | | | | | | | | | | | | | | | | | | | | | | | | | | | | | | | | | | | | | | | | | | | | | | | | | | | | | | | | | | | | | | | | | | | | | | | | | | | | | | | | | | | | | | | | | | | | | | | | | | | | | | | | | | | | | | | | | | | | | | | | | | | | | | | | | | | | | | | | | | | | | | | | | | | | | | | | | | | | | | | | | | | | | | | | | | | | | | | | | | | | | | | | | | | | | | | | | | | | | | | | | | | | | | | | | | | | | | | | | | | | | | | | | | | | | | | | | | | | | | | | | | | | | | | | | | | | | | | | | | | | | | | | | | | | | | | | | | | | | | | | | | | | | | | | | | | | | | | | | | | | | | | | | | | | | | | | | | | | | | | | | | | | | | | | | | | | | | | | | | | | | | | | | | | | | | | | | | | | | | | | | | | | | | | | | | | | | | | | | | | | | | | | | | | | | | | | | | | | | | | | | | | | | | | | | | | | | | | | | | | | | | | | | | | | | | | | | | | | | | | | | | | | | | | | | | | | | | | | | | | | | | | | | | | | | | | | | | | | | | | | | | | | | | | | | | | | | | | | | | | | | | | | | | | | | | | | | | | | | | | | | | | | | | | | | | | | | | | | | | | | | | | | | | | | | | | | | | | | | | | | | | | | | | | | | | | | | | | | | | | | | | | | | | | | | | | | | | | | | | | | | | | | | | | | | | | | | | | | | | | | | | | | | | | | | | | | | | | | | | | | | | | | | | | | | | | | | | | | | | | | | | | | | | | | | | | | | | | | | | | | | | | | | | | | | | | | | | | | | | | | | | | | | | | | | | | | | | | | | | | | | | | | | | | | | | | | | | | | | | | | | | | | | | | | | | | | | | | | | | | | | | | | | | | | | | | | | | | | | | | | | | | | | | | | | | | | | | | | | | | | | | | | | | | | | | | | | | | | | | | | | | | | | | | | | | | | | | | | | | | | | | | | | | | | | | | | | | | | | | | | | | | | | | | | | | | | | | | | | | | | | | | | | | | | | | | | | | | | | | | | | | | | | | | | | | | | | | | | | | | | | | | | | | | | | | | | | | | | | | | | | | | | | | | | | | | | | | | | | | | | | | | | | | | | | | | | | | | | | | | | | | | | | | | | | | | | | | | | | | | | | | | | | | | | | | | | | | | | | | | | | | | | | | | | | | | | | | | | | | | | | | | | | | | | | | | | | | | | | | | | | | | | | | | | | | | | | | | | | | | | | | | | | | | | | | | | | | | | | | | | | | | | | | | | | | | | | | | | | | | | | | | | | | | | | | | | | | | | | | | | | | | | | | | | | | | | | | | | | | | | | | | | | | | | | | | | | | | | | | | | | | | | | | | | | | | | | | | | | | | | | | | | | | | | | | | | | | | | | | | | | | | | | | | | | | | | | | | | | | | | | | | | | | | | | | | | | | | | | | | | | | | | | | | | | | | | | | | | | | | | | | | | | | | | | | | | | | | | | | | | | | | | | | | | | | | | | | | | | | | | | | | | | |
| SALEABLE | NOT APPLICABLE | 34566-8883 | 0 | B | ST GRN | 72 | 71 | 70 | 69 | 68 | 67 | 66 | 65 | 64 | 63 | | 61 | 60 | 59 | 58 | 57 | 56 | 55 | | | | | | | | | 52 | 51 | 50 | 49 | 48 | 47 | 46 | 45 | 44 | 43 | | 41 | 40 | 39 | 38 | 37 | 36 | 35 | 34 | 33 | | | | | | | | | 73 | | | | 32 | 31 | 30 | 29 | 28 | 27 | 26 | 25 | 24 | 23 | 22 | 21 | 20 | 19 | 18 | 17 | | | | | | | | | | SALEABLE | NOT APPLICABLE | 34566-8893 | 0 | A | BLACK | 72 | | 70 | | | 67 | 66 | 65 | | 63 | | | 60 | 59 | 58 | 57 | 56 | 55 | | | | | | | | | 52 | 51 | | 49 | 48 | 47 | 46 | 45 | | 43 | 42 | | 40 | 39 | 38 | 37 | 36 | 35 | | | | | | | | | | | 73 | | | | | | | | | 28 | 27 | | | | 23 | 22 | 21 | | | | | | | | | | 18 | 17 | SALEABLE | NOT APPLICABLE | 34566-8913 | 0 | A | BLACK | 72 | 71 | 70 | 69 | 68 | | 66 | 65 | 64 | 63 | | | 60 | | | 57 | 56 | | | | | | | | | 54 | 52 | 51 | 50 | 49 | 48 | | 46 | 45 | 44 | 43 | 42 | 41 | 40 | 39 | 38 | 37 | 36 | | | | | | | | | | | 34 | 73 | | | | 32 | 31 | 30 | 29 | 28 | | | | | | | | 23 | 22 | 21 | | | | | | | | | | | SALEABLE | NOT APPLICABLE | 34566-8923 | 0 | A | BLACK | | 71 | 70 | 69 | 68 | 67 | | | 64 | 63 | 62 | 61 | 60 | 59 | 58 | 57 | 56 | 55 | 54 | 53 | | | | | | | 52 | 51 | 50 | 49 | | | 46 | 45 | 44 | 43 | 42 | 41 | 40 | 39 | 38 | 37 | 36 | | | | | | | | | | | | 73 | | | | 32 | | | 29 | 28 | 27 | 26 | 25 | | | | | 21 | | | | | | | | | | | | | SALEABLE | NOT APPLICABLE | 34566-8933 | 0 | C | BLUE | 72 | 71 | | 69 | 68 | | 66 | 65 | | 63 | | | | 59 | 58 | | | 56 | | | | | | | | 53 | | | | | | | | | | 43 | | | | | 39 | 38 | | | 36 | | | | | | | | | | 73 | | | | | 31 | 30 | 29 | | | | | | | 24 | 23 | 22 | 21 | 20 | | | | | | | | | | | SALEABLE | NOT APPLICABLE | 34566-8943 | 0 | B | ST GRN | 72 | | | | 68 | | | | | | 62 | 61 | | | | | | | | | | | | | | 55 | 52 | | | | | | 46 | | | 43 | | | 40 | | | | | | | | | | | | | | | | 73 | | | | | | | | | | | | | | | | 22 | 21 | 20 | 19 | 18 | 17 | | | | | | | | SALEABLE | NOT APPLICABLE | 34566-8953 | 9 | C | BLUE | 72 | 71 | 70 | 69 | | 67 | 66 | | 64 | | | 60 | | | | | | | | | | | | | | 54 | 52 | 51 | 50 | 49 | | 47 | 46 | | 44 | | | | 40 | 39 | 38 | | | | | | | | | | | | | | 73 | | | | | | 30 | 29 | 28 | 27 | 26 | 25 | 24 | 23 | 22 | 21 | | | | | | | | | | | | | 17 | SALEABLE | NOT APPLICABLE | 34566-8963 | 0 | B | ST GRN | 72 | | | | 48 | 47 | 46 | | | | 62 | 61 | 60 | 59 | | | | | | | | | | | | 55 | 52 | | | | 48 | 47 | 46 | | | 43 | | 41 | 40 | | | | | 38 | 37 | 36 | 35 | | | | | | | | 73 | | | | | | 30 | | | | | | | | | | | 22 | 21 | 20 | 19 | 18 | 17 | | | | | | | SALEABLE | NOT APPLICABLE | 34566-8973 | 0 | A | BLACK | 72 | 71 | 70 | 69 | 68 | | 66 | 65 | 64 | 63 | | | 60 | | | 57 | 56 | | | | | | | | | 54 | 52 | 51 | 50 | 49 | 48 | | 46 | 45 | 44 | 43 | 42 | | 40 | 39 | 38 | 37 | 36 | | | | | | | | | | | 34 | 73 | | | | 32 | 31 | 30 | 29 | 28 | | | | | | | | 23 | 22 | 21 | | | | | | | | | | 17 | SALEABLE | NOT APPLICABLE | 34566-8983 | 0 | C | BLUE | | 71 | 70 | | | 67 | 66 | | 64 | | | 61 | 60 | | | 57 | | | | | | | | | | 54 | 52 | 51 | 50 | 49 | 48 | 47 | | 45 | 44 | | | 41 | | | | 37 | | | | | | | | | | | | 34 | 73 | | | | 32 | | | | 28 | 27 | | 25 | | | | | | | | | | | | | | | | | 18 | SALEABLE | NOT APPLICABLE | 34822-0303 | 0 | A | BLACK | | | | | | | | | | | | | | | | | | | | | | | | | 66 | 65 | | | | | | | | | | | | | | | | | | | | | | | | | | | | 63 | 62 | 61 | 60 | 59 | | | | | | | 54 | 53 | | | | 49 | | | | | | | | | | | SALEABLE | NOT APPLICABLE | 34822-0313 | 0 | A | BLACK | | | | | | | | | | | | | | | | | | | | | | | | | 66 | 65 | | | | | 31 | | | 28 | | | | | 24 | 23 | 22 | 21 | 20 | 19 | 18 | 17 | | | | | | | | | | | 16 | 15 | 14 | 13 | | | | | | | 8 | 7 | | | | | | | | | | | | | SALEABLE | NOT APPLICABLE | 34566-8993 | 0 | B | ST GRN | | | | | | | 66 | | | | 62 | | | 58 | | | | | | | | | | | | | | | | | | | | | | | | 41 | | | 38 | 37 | | | | | | | | | | | | 73 | | | | | | | | | | | | | | | | | | | | | | | | | | | | 19 | | | | | | | | | | | | | | | | | | | | | | | | | | | | | 1 | | | | | | | | | | | | | | | | | | | | | | | | | | | | | | | | | | | | | | | | | | | | | | | | | | | | | | | | | | | | | | | | | | | | | | | | | | | | | | | | | | | | | | | | | | | | | | | | | | | | | | | | | | | | | | | | | | | | | | | | | | | | | | | | | | | | | | | | | | | | | | | | | | | | | | | | | | | | | | | | | | | | | | | | | | | | | | | | |
| | | | | | | 52 | 51 | 50 | 49 | 48 | 47 | 46 | 45 | 44 | 43 | | 41 | 40 | 39 | 38 | 37 | 36 | 35 | 34 | 33 | | | | | | | | | | | | | | | | | | | | | | | | | | | | | | | | | | | | | | | | | | | | | | | | | | | | | | | | | | | | | | | | | | | | | | | | | | | | | | | | | | | | | | | | | | | | | | | | | | | | | | | | | | | | | | | | | | | | | | | | | | | | | | | | | | | | | | | | | | | | | | | | | | | | | | | | | | | | | | | | | | | | | | | | | | | | | | | | | | | | | | | | | | | | | | | | | | | | | | | | | | | | | | | | | | | | | | | | | | | | | | | | | | | | | | | | | | | | | | | | | | | | | | | | | | | | | | | | | | | | | | | | | | | | | | | | | | | | | | | | | | | | | | | | | | | | | | | | | | | | | | | | | | | | | | | | | | | | | | | | | | | | | | | | | | | | | | | | | | | | | | | | | | | | | | | | | | | | | | | | | | | | | | | | | | | | | | | | | | | | | | | | | | | | | | | | | | | | | | | | | | | | | | | | | | | | | | | | | | | | | | | | | | | | | | | | | | | | | | | | | | | | | | | | | | | | | | | | | | | | | | | | | | | | | | | | | | | | | | | | | | | | | | | | | | | | | | | | | | | | | | | | | | | | | | | | | | | | | | | | | | | | | | | | | | | | | | | | | | | | | | | | | | | | | | | | | | | | | | | | | | | | | | | | | | | | | | | | | | | | | | | | | | | | | | | | | | | | | | | | | | | | | | | | | | | | | | | | | | | | | | | | | | | | | | | | | | | | | | | | | | | | | | | | | | | | | | | | | | | | | | | | | | | | | | | | | | | | | | | | | | | | | | | | | | | | | | | | | | | | | | | | | | | | | | | | | | | | | | | | | | | | | | | | | | | | | | | | | | | | | | | | | | | | | | | | | | | | | | | | | | | | | | | | | | | | | | | | | | | | | | | | | | | | | | | | | | | | | | | | | | | | | | | | | | | | | | | | | | | | | | | | | | | | | | | | | | | | | | | | | | | | | | | | | | | | | | | | | | | | | | | | | | | | | | | | | | | | | | | | | | | | | | | | | | | | | | | | | | | | | | | | | | | | | | | | | | | | | | | | | | | | | | | | | | | | | | | | | | | | | | | | | | | | | | | | | | | | | | | | | | | | | | | | | | | | | | | | | | | | | | | | | | | | | | | | | | | | | | | | | | | | | | | | | | | | | | | | | | | | | | | | | | | | | | | | | | | | | | | | | | | | | | | | | | | | | | | | | | | | | | | | | | | | | | | | | | | | | | | | | | | | | | | | | | | | | | | | | | | | | | | | | | | | | | | | | | | | | | | | | | | | | | | | | | | | | | | | | | | | | | | | | | | | | | | | | | | | | | | | | | | | | | | | | | | | | | | | | | | | | | | | | | | | | | | | | | | | | | | | | | | | | | | | | | | | | | | | | | | | | | | | | | | | | | | | | | | | | | | | | | | | | | | | | | | | | | | | | | | | | | | | | | | | | | | | | | | | | | | | | | | | | | | | | | | | | | | | | | | | | | | | | | | | | | | | | | | | | | | | | | | | | | | | |
| | | | | | | 73 | | | | 32 | 31 | 30 | 29 | 28 | 27 | 26 | 25 | 24 | 23 | 22 | 21 | 20 | 19 | 18 | 17 | | | | | | | | | | | | | | | | | | | | | | | | | | | | | | | | | | | | | | | | | | | | | | | | | | | | | | | | | | | | | | | | | | | | | | | | | | | | | | | | | | | | | | | | | | | | | | | | | | | | | | | | | | | | | | | | | | | | | | | | | | | | | | | | | | | | | | | | | | | | | | | | | | | | | | | | | | | | | | | | | | | | | | | | | | | | | | | | | | | | | | | | | | | | | | | | | | | | | | | | | | | | | | | | | | | | | | | | | | | | | | | | | | | | | | | | | | | | | | | | | | | | | | | | | | | | | | | | | | | | | | | | | | | | | | | | | | | | | | | | | | | | | | | | | | | | | | | | | | | | | | | | | | | | | | | | | | | | | | | | | | | | | | | | | | | | | | | | | | | | | | | | | | | | | | | | | | | | | | | | | | | | | | | | | | | | | | | | | | | | | | | | | | | | | | | | | | | | | | | | | | | | | | | | | | | | | | | | | | | | | | | | | | | | | | | | | | | | | | | | | | | | | | | | | | | | | | | | | | | | | | | | | | | | | | | | | | | | | | | | | | | | | | | | | | | | | | | | | | | | | | | | | | | | | | | | | | | | | | | | | | | | | | | | | | | | | | | | | | | | | | | | | | | | | | | | | | | | | | | | | | | | | | | | | | | | | | | | | | | | | | | | | | | | | | | | | | | | | | | | | | | | | | | | | | | | | | | | | | | | | | | | | | | | | | | | | | | | | | | | | | | | | | | | | | | | | | | | | | | | | | | | | | | | | | | | | | | | | | | | | | | | | | | | | | | | | | | | | | | | | | | | | | | | | | | | | | | | | | | | | | | | | | | | | | | | | | | | | | | | | | | | | | | | | | | | | | | | | | | | | | | | | | | | | | | | | | | | | | | | | | | | | | | | | | | | | | | | | | | | | | | | | | | | | | | | | | | | | | | | | | | | | | | | | | | | | | | | | | | | | | | | | | | | | | | | | | | | | | | | | | | | | | | | | | | | | | | | | | | | | | | | | | | | | | | | | | | | | | | | | | | | | | | | | | | | | | | | | | | | | | | | | | | | | | | | | | | | | | | | | | | | | | | | | | | | | | | | | | | | | | | | | | | | | | | | | | | | | | | | | | | | | | | | | | | | | | | | | | | | | | | | | | | | | | | | | | | | | | | | | | | | | | | | | | | | | | | | | | | | | | | | | | | | | | | | | | | | | | | | | | | | | | | | | | | | | | | | | | | | | | | | | | | | | | | | | | | | | | | | | | | | | | | | | | | | | | | | | | | | | | | | | | | | | | | | | | | | | | | | | | | | | | | | | | | | | | | | | | | | | | | | | | | | | | | | | | | | | | | | | | | | | | | | | | | | | | | | | | | | | | | | | | | | | | | | | | | | | | | | | | | | | | | | | | | | | | | | | | | | | | | | | | | | | | | | | | | | | | | | | | | | | | | | | | | | | | | | | | | | | | | | | | | | | | | | | | | | | | | | | | | | | | | | | | | | | | | | | | | | | | | | | | | | |
| SALEABLE | NOT APPLICABLE | 34566-8893 | 0 | A | BLACK | 72 | | 70 | | | 67 | 66 | 65 | | 63 | | | 60 | 59 | 58 | 57 | 56 | 55 | | | | | | | | | 52 | 51 | | 49 | 48 | 47 | 46 | 45 | | 43 | 42 | | 40 | 39 | 38 | 37 | 36 | 35 | | | | | | | | | | | 73 | | | | | | | | | 28 | 27 | | | | 23 | 22 | 21 | | | | | | | | | | 18 | 17 | SALEABLE | NOT APPLICABLE | 34566-8913 | 0 | A | BLACK | 72 | 71 | 70 | 69 | 68 | | 66 | 65 | 64 | 63 | | | 60 | | | 57 | 56 | | | | | | | | | 54 | 52 | 51 | 50 | 49 | 48 | | 46 | 45 | 44 | 43 | 42 | 41 | 40 | 39 | 38 | 37 | 36 | | | | | | | | | | | 34 | 73 | | | | 32 | 31 | 30 | 29 | 28 | | | | | | | | 23 | 22 | 21 | | | | | | | | | | | SALEABLE | NOT APPLICABLE | 34566-8923 | 0 | A | BLACK | | 71 | 70 | 69 | 68 | 67 | | | 64 | 63 | 62 | 61 | 60 | 59 | 58 | 57 | 56 | 55 | 54 | 53 | | | | | | | 52 | 51 | 50 | 49 | | | 46 | 45 | 44 | 43 | 42 | 41 | 40 | 39 | 38 | 37 | 36 | | | | | | | | | | | | 73 | | | | 32 | | | 29 | 28 | 27 | 26 | 25 | | | | | 21 | | | | | | | | | | | | | SALEABLE | NOT APPLICABLE | 34566-8933 | 0 | C | BLUE | 72 | 71 | | 69 | 68 | | 66 | 65 | | 63 | | | | 59 | 58 | | | 56 | | | | | | | | 53 | | | | | | | | | | 43 | | | | | 39 | 38 | | | 36 | | | | | | | | | | 73 | | | | | 31 | 30 | 29 | | | | | | | 24 | 23 | 22 | 21 | 20 | | | | | | | | | | | SALEABLE | NOT APPLICABLE | 34566-8943 | 0 | B | ST GRN | 72 | | | | 68 | | | | | | 62 | 61 | | | | | | | | | | | | | | 55 | 52 | | | | | | 46 | | | 43 | | | 40 | | | | | | | | | | | | | | | | 73 | | | | | | | | | | | | | | | | 22 | 21 | 20 | 19 | 18 | 17 | | | | | | | | SALEABLE | NOT APPLICABLE | 34566-8953 | 9 | C | BLUE | 72 | 71 | 70 | 69 | | 67 | 66 | | 64 | | | 60 | | | | | | | | | | | | | | 54 | 52 | 51 | 50 | 49 | | 47 | 46 | | 44 | | | | 40 | 39 | 38 | | | | | | | | | | | | | | 73 | | | | | | 30 | 29 | 28 | 27 | 26 | 25 | 24 | 23 | 22 | 21 | | | | | | | | | | | | | 17 | SALEABLE | NOT APPLICABLE | 34566-8963 | 0 | B | ST GRN | 72 | | | | 48 | 47 | 46 | | | | 62 | 61 | 60 | 59 | | | | | | | | | | | | 55 | 52 | | | | 48 | 47 | 46 | | | 43 | | 41 | 40 | | | | | 38 | 37 | 36 | 35 | | | | | | | | 73 | | | | | | 30 | | | | | | | | | | | 22 | 21 | 20 | 19 | 18 | 17 | | | | | | | SALEABLE | NOT APPLICABLE | 34566-8973 | 0 | A | BLACK | 72 | 71 | 70 | 69 | 68 | | 66 | 65 | 64 | 63 | | | 60 | | | 57 | 56 | | | | | | | | | 54 | 52 | 51 | 50 | 49 | 48 | | 46 | 45 | 44 | 43 | 42 | | 40 | 39 | 38 | 37 | 36 | | | | | | | | | | | 34 | 73 | | | | 32 | 31 | 30 | 29 | 28 | | | | | | | | 23 | 22 | 21 | | | | | | | | | | 17 | SALEABLE | NOT APPLICABLE | 34566-8983 | 0 | C | BLUE | | 71 | 70 | | | 67 | 66 | | 64 | | | 61 | 60 | | | 57 | | | | | | | | | | 54 | 52 | 51 | 50 | 49 | 48 | 47 | | 45 | 44 | | | 41 | | | | 37 | | | | | | | | | | | | 34 | 73 | | | | 32 | | | | 28 | 27 | | 25 | | | | | | | | | | | | | | | | | 18 | SALEABLE | NOT APPLICABLE | 34822-0303 | 0 | A | BLACK | | | | | | | | | | | | | | | | | | | | | | | | | 66 | 65 | | | | | | | | | | | | | | | | | | | | | | | | | | | | 63 | 62 | 61 | 60 | 59 | | | | | | | 54 | 53 | | | | 49 | | | | | | | | | | | SALEABLE | NOT APPLICABLE | 34822-0313 | 0 | A | BLACK | | | | | | | | | | | | | | | | | | | | | | | | | 66 | 65 | | | | | 31 | | | 28 | | | | | 24 | 23 | 22 | 21 | 20 | 19 | 18 | 17 | | | | | | | | | | | 16 | 15 | 14 | 13 | | | | | | | 8 | 7 | | | | | | | | | | | | | SALEABLE | NOT APPLICABLE | 34566-8993 | 0 | B | ST GRN | | | | | | | 66 | | | | 62 | | | 58 | | | | | | | | | | | | | | | | | | | | | | | | 41 | | | 38 | 37 | | | | | | | | | | | | 73 | | | | | | | | | | | | | | | | | | | | | | | | | | | | 19 | | | | | | | | | | | | | | | | | | | | | | | | | | | | | 1 | | | | | | | | | | | | | | | | | | | | | | | | | | | | | | | | | | | | | | | | | | | | | | | | | | | | | | | | | | | | | | | | | | | | | | | | | | | | | | | | | | | | | | | | | | | | | | | | | | | | | | | | | | | | | | | | | | | | | | | | | | | | | | | | | | | | | | | | | | | | | | | | | | | | | | | | | | | | | | | | | | | | | | | | | | | | | | | | | | | | | | | | | | | | | | | | | | | | | | | | | | | | | | | | | | | | | | | | | | | | | | | | | | | | | | | | | | | | | | | | | | | | | | | | | | | | | | | | | | | | | | | | | |
| | | | | | | 52 | 51 | | 49 | 48 | 47 | 46 | 45 | | 43 | 42 | | 40 | 39 | 38 | 37 | 36 | 35 | | | | | | | | | | | | | | | | | | | | | | | | | | | | | | | | | | | | | | | | | | | | | | | | | | | | | | | | | | | | | | | | | | | | | | | | | | | | | | | | | | | | | | | | | | | | | | | | | | | | | | | | | | | | | | | | | | | | | | | | | | | | | | | | | | | | | | | | | | | | | | | | | | | | | | | | | | | | | | | | | | | | | | | | | | | | | | | | | | | | | | | | | | | | | | | | | | | | | | | | | | | | | | | | | | | | | | | | | | | | | | | | | | | | | | | | | | | | | | | | | | | | | | | | | | | | | | | | | | | | | | | | | | | | | | | | | | | | | | | | | | | | | | | | | | | | | | | | | | | | | | | | | | | | | | | | | | | | | | | | | | | | | | | | | | | | | | | | | | | | | | | | | | | | | | | | | | | | | | | | | | | | | | | | | | | | | | | | | | | | | | | | | | | | | | | | | | | | | | | | | | | | | | | | | | | | | | | | | | | | | | | | | | | | | | | | | | | | | | | | | | | | | | | | | | | | | | | | | | | | | | | | | | | | | | | | | | | | | | | | | | | | | | | | | | | | | | | | | | | | | | | | | | | | | | | | | | | | | | | | | | | | | | | | | | | | | | | | | | | | | | | | | | | | | | | | | | | | | | | | | | | | | | | | | | | | | | | | | | | | | | | | | | | | | | | | | | | | | | | | | | | | | | | | | | | | | | | | | | | | | | | | | | | | | | | | | | | | | | | | | | | | | | | | | | | | | | | | | | | | | | | | | | | | | | | | | | | | | | | | | | | | | | | | | | | | | | | | | | | | | | | | | | | | | | | | | | | | | | | | | | | | | | | | | | | | | | | | | | | | | | | | | | | | | | | | | | | | | | | | | | | | | | | | | | | | | | | | | | | | | | | | | | | | | | | | | | | | | | | | | | | | | | | | | | | | | | | | | | | | | | | | | | | | | | | | | | | | | | | | | | | | | | | | | | | | | | | | | | | | | | | | | | | | | | | | | | | | | | | | | | | | | | | | | | | | | | | | | | | | | | | | | | | | | | | | | | | | | | | | | | | | | | | | | | | | | | | | | | | | | | | | | | | | | | | | | | | | | | | | | | | | | | | | | | | | | | | | | | | | | | | | | | | | | | | | | | | | | | | | | | | | | | | | | | | | | | | | | | | | | | | | | | | | | | | | | | | | | | | | | | | | | | | | | | | | | | | | | | | | | | | | | | | | | | | | | | | | | | | | | | | | | | | | | | | | | | | | | | | | | | | | | | | | | | | | | | | | | | | | | | | | | | | | | | | | | | | | | | | | | | | | | | | | | | | | | | | | | | | | | | | | | | | | | | | | | | | | | | | | | | | | | | | | | | | | | | | | | | | | | | | | | | | | | | | | | | | | | | | | | | | | | | | | | | | | | | | | | | | | | | | | | | | | | | | | | | | | | | | | | | | | | | | | | | | | | | | | | | | | | | | | | | | | | | | | | | | | | | | | | | | | | | | | | | | | | | | | | | | | | | | | | | | | | | |
| | | | | | | 73 | | | | | | | | | 28 | 27 | | | | 23 | 22 | 21 | | | | | | | | | | 18 | 17 | | | | | | | | | | | | | | | | | | | | | | | | | | | | | | | | | | | | | | | | | | | | | | | | | | | | | | | | | | | | | | | | | | | | | | | | | | | | | | | | | | | | | | | | | | | | | | | | | | | | | | | | | | | | | | | | | | | | | | | | | | | | | | | | | | | | | | | | | | | | | | | | | | | | | | | | | | | | | | | | | | | | | | | | | | | | | | | | | | | | | | | | | | | | | | | | | | | | | | | | | | | | | | | | | | | | | | | | | | | | | | | | | | | | | | | | | | | | | | | | | | | | | | | | | | | | | | | | | | | | | | | | | | | | | | | | | | | | | | | | | | | | | | | | | | | | | | | | | | | | | | | | | | | | | | | | | | | | | | | | | | | | | | | | | | | | | | | | | | | | | | | | | | | | | | | | | | | | | | | | | | | | | | | | | | | | | | | | | | | | | | | | | | | | | | | | | | | | | | | | | | | | | | | | | | | | | | | | | | | | | | | | | | | | | | | | | | | | | | | | | | | | | | | | | | | | | | | | | | | | | | | | | | | | | | | | | | | | | | | | | | | | | | | | | | | | | | | | | | | | | | | | | | | | | | | | | | | | | | | | | | | | | | | | | | | | | | | | | | | | | | | | | | | | | | | | | | | | | | | | | | | | | | | | | | | | | | | | | | | | | | | | | | | | | | | | | | | | | | | | | | | | | | | | | | | | | | | | | | | | | | | | | | | | | | | | | | | | | | | | | | | | | | | | | | | | | | | | | | | | | | | | | | | | | | | | | | | | | | | | | | | | | | | | | | | | | | | | | | | | | | | | | | | | | | | | | | | | | | | | | | | | | | | | | | | | | | | | | | | | | | | | | | | | | | | | | | | | | | | | | | | | | | | | | | | | | | | | | | | | | | | | | | | | | | | | | | | | | | | | | | | | | | | | | | | | | | | | | | | | | | | | | | | | | | | | | | | | | | | | | | | | | | | | | | | | | | | | | | | | | | | | | | | | | | | | | | | | | | | | | | | | | | | | | | | | | | | | | | | | | | | | | | | | | | | | | | | | | | | | | | | | | | | | | | | | | | | | | | | | | | | | | | | | | | | | | | | | | | | | | | | | | | | | | | | | | | | | | | | | | | | | | | | | | | | | | | | | | | | | | | | | | | | | | | | | | | | | | | | | | | | | | | | | | | | | | | | | | | | | | | | | | | | | | | | | | | | | | | | | | | | | | | | | | | | | | | | | | | | | | | | | | | | | | | | | | | | | | | | | | | | | | | | | | | | | | | | | | | | | | | | | | | | | | | | | | | | | | | | | | | | | | | | | | | | | | | | | | | | | | | | | | | | | | | | | | | | | | | | | | | | | | | | | | | | | | | | | | | | | | | | | | | | | | | | | | | | | | | | | | | | | | | | | | | | | | | | | | | | | | | | | | | | | | | | | | | | | | | | | | | | | | | | | | | | | | | | | | | | | | | | | | | | | | | | | | | | | | | | | | | | | | | | | | | | | | | | | | | | | |
| SALEABLE | NOT APPLICABLE | 34566-8913 | 0 | A | BLACK | 72 | 71 | 70 | 69 | 68 | | 66 | 65 | 64 | 63 | | | 60 | | | 57 | 56 | | | | | | | | | 54 | 52 | 51 | 50 | 49 | 48 | | 46 | 45 | 44 | 43 | 42 | 41 | 40 | 39 | 38 | 37 | 36 | | | | | | | | | | | 34 | 73 | | | | 32 | 31 | 30 | 29 | 28 | | | | | | | | 23 | 22 | 21 | | | | | | | | | | | SALEABLE | NOT APPLICABLE | 34566-8923 | 0 | A | BLACK | | 71 | 70 | 69 | 68 | 67 | | | 64 | 63 | 62 | 61 | 60 | 59 | 58 | 57 | 56 | 55 | 54 | 53 | | | | | | | 52 | 51 | 50 | 49 | | | 46 | 45 | 44 | 43 | 42 | 41 | 40 | 39 | 38 | 37 | 36 | | | | | | | | | | | | 73 | | | | 32 | | | 29 | 28 | 27 | 26 | 25 | | | | | 21 | | | | | | | | | | | | | SALEABLE | NOT APPLICABLE | 34566-8933 | 0 | C | BLUE | 72 | 71 | | 69 | 68 | | 66 | 65 | | 63 | | | | 59 | 58 | | | 56 | | | | | | | | 53 | | | | | | | | | | 43 | | | | | 39 | 38 | | | 36 | | | | | | | | | | 73 | | | | | 31 | 30 | 29 | | | | | | | 24 | 23 | 22 | 21 | 20 | | | | | | | | | | | SALEABLE | NOT APPLICABLE | 34566-8943 | 0 | B | ST GRN | 72 | | | | 68 | | | | | | 62 | 61 | | | | | | | | | | | | | | 55 | 52 | | | | | | 46 | | | 43 | | | 40 | | | | | | | | | | | | | | | | 73 | | | | | | | | | | | | | | | | 22 | 21 | 20 | 19 | 18 | 17 | | | | | | | | SALEABLE | NOT APPLICABLE | 34566-8953 | 9 | C | BLUE | 72 | 71 | 70 | 69 | | 67 | 66 | | 64 | | | 60 | | | | | | | | | | | | | | 54 | 52 | 51 | 50 | 49 | | 47 | 46 | | 44 | | | | 40 | 39 | 38 | | | | | | | | | | | | | | 73 | | | | | | 30 | 29 | 28 | 27 | 26 | 25 | 24 | 23 | 22 | 21 | | | | | | | | | | | | | 17 | SALEABLE | NOT APPLICABLE | 34566-8963 | 0 | B | ST GRN | 72 | | | | 48 | 47 | 46 | | | | 62 | 61 | 60 | 59 | | | | | | | | | | | | 55 | 52 | | | | 48 | 47 | 46 | | | 43 | | 41 | 40 | | | | | 38 | 37 | 36 | 35 | | | | | | | | 73 | | | | | | 30 | | | | | | | | | | | 22 | 21 | 20 | 19 | 18 | 17 | | | | | | | SALEABLE | NOT APPLICABLE | 34566-8973 | 0 | A | BLACK | 72 | 71 | 70 | 69 | 68 | | 66 | 65 | 64 | 63 | | | 60 | | | 57 | 56 | | | | | | | | | 54 | 52 | 51 | 50 | 49 | 48 | | 46 | 45 | 44 | 43 | 42 | | 40 | 39 | 38 | 37 | 36 | | | | | | | | | | | 34 | 73 | | | | 32 | 31 | 30 | 29 | 28 | | | | | | | | 23 | 22 | 21 | | | | | | | | | | 17 | SALEABLE | NOT APPLICABLE | 34566-8983 | 0 | C | BLUE | | 71 | 70 | | | 67 | 66 | | 64 | | | 61 | 60 | | | 57 | | | | | | | | | | 54 | 52 | 51 | 50 | 49 | 48 | 47 | | 45 | 44 | | | 41 | | | | 37 | | | | | | | | | | | | 34 | 73 | | | | 32 | | | | 28 | 27 | | 25 | | | | | | | | | | | | | | | | | 18 | SALEABLE | NOT APPLICABLE | 34822-0303 | 0 | A | BLACK | | | | | | | | | | | | | | | | | | | | | | | | | 66 | 65 | | | | | | | | | | | | | | | | | | | | | | | | | | | | 63 | 62 | 61 | 60 | 59 | | | | | | | 54 | 53 | | | | 49 | | | | | | | | | | | SALEABLE | NOT APPLICABLE | 34822-0313 | 0 | A | BLACK | | | | | | | | | | | | | | | | | | | | | | | | | 66 | 65 | | | | | 31 | | | 28 | | | | | 24 | 23 | 22 | 21 | 20 | 19 | 18 | 17 | | | | | | | | | | | 16 | 15 | 14 | 13 | | | | | | | 8 | 7 | | | | | | | | | | | | | SALEABLE | NOT APPLICABLE | 34566-8993 | 0 | B | ST GRN | | | | | | | 66 | | | | 62 | | | 58 | | | | | | | | | | | | | | | | | | | | | | | | 41 | | | 38 | 37 | | | | | | | | | | | | 73 | | | | | | | | | | | | | | | | | | | | | | | | | | | | 19 | | | | | | | | | | | | | | | | | | | | | | | | | | | | | 1 | | | | | | | | | | | | | | | | | | | | | | | | | | | | | | | | | | | | | | | | | | | | | | | | | | | | | | | | | | | | | | | | | | | | | | | | | | | | | | | | | | | | | | | | | | | | | | | | | | | | | | | | | | | | | | | | | | | | | | | | | | | | | | | | | | | | | | | | | | | | | | | | | | | | | | | | | | | | | | | | | | | | | | | | | | | | | | | | | | | | | | | | | | | | | | | | | | | | | | | | | | | | | | | | | | | | | | | | | | | | | | | | | | | | | | | | | | | | | | | | | | | | | | | | | | | | | | | | | | | | | | | | | | | | | | | | | | | | | | | | | | | | | | | | | | | | | | | | | | | | | | | | | | | | | | | | | | | | | | | | | | | | | | | | | | | | | | | | | | | | | | | | | | | | | | | | | |
| | | | | | | 52 | 51 | 50 | 49 | 48 | | 46 | 45 | 44 | 43 | 42 | 41 | 40 | 39 | 38 | 37 | 36 | | | | | | | | | | | 34 | | | | | | | | | | | | | | | | | | | | | | | | | | | | | | | | | | | | | | | | | | | | | | | | | | | | | | | | | | | | | | | | | | | | | | | | | | | | | | | | | | | | | | | | | | | | | | | | | | | | | | | | | | | | | | | | | | | | | | | | | | | | | | | | | | | | | | | | | | | | | | | | | | | | | | | | | | | | | | | | | | | | | | | | | | | | | | | | | | | | | | | | | | | | | | | | | | | | | | | | | | | | | | | | | | | | | | | | | | | | | | | | | | | | | | | | | | | | | | | | | | | | | | | | | | | | | | | | | | | | | | | | | | | | | | | | | | | | | | | | | | | | | | | | | | | | | | | | | | | | | | | | | | | | | | | | | | | | | | | | | | | | | | | | | | | | | | | | | | | | | | | | | | | | | | | | | | | | | | | | | | | | | | | | | | | | | | | | | | | | | | | | | | | | | | | | | | | | | | | | | | | | | | | | | | | | | | | | | | | | | | | | | | | | | | | | | | | | | | | | | | | | | | | | | | | | | | | | | | | | | | | | | | | | | | | | | | | | | | | | | | | | | | | | | | | | | | | | | | | | | | | | | | | | | | | | | | | | | | | | | | | | | | | | | | | | | | | | | | | | | | | | | | | | | | | | | | | | | | | | | | | | | | | | | | | | | | | | | | | | | | | | | | | | | | | | | | | | | | | | | | | | | | | | | | | | | | | | | | | | | | | | | | | | | | | | | | | | | | | | | | | | | | | | | | | | | | | | | | | | | | | | | | | | | | | | | | | | | | | | | | | | | | | | | | | | | | | | | | | | | | | | | | | | | | | | | | | | | | | | | | | | | | | | | | | | | | | | | | | | | | | | | | | | | | | | | | | | | | | | | | | | | | | | | | | | | | | | | | | | | | | | | | | | | | | | | | | | | | | | | | | | | | | | | | | | | | | | | | | | | | | | | | | | | | | | | | | | | | | | | | | | | | | | | | | | | | | | | | | | | | | | | | | | | | | | | | | | | | | | | | | | | | | | | | | | | | | | | | | | | | | | | | | | | | | | | | | | | | | | | | | | | | | | | | | | | | | | | | | | | | | | | | | | | | | | | | | | | | | | | | | | | | | | | | | | | | | | | | | | | | | | | | | | | | | | | | | | | | | | | | | | | | | | | | | | | | | | | | | | | | | | | | | | | | | | | | | | | | | | | | | | | | | | | | | | | | | | | | | | | | | | | | | | | | | | | | | | | | | | | | | | | | | | | | | | | | | | | | | | | | | | | | | | | | | | | | | | | | | | | | | | | | | | | | | | | | | | | | | | | | | | | | | | | | | | | | | | | | | | | | | | | | | | | | | | | | | | | | | | | | | | | | | | | | | | | | | | | | | | | | | | | | | | | | | | | | | | | | | | | | | | | | | | | | | | | | | | | | | | | | | | | | | | | | | | | | | | | | | | | | | | | | | | | | | | | | | | | | | | | | | | | | | | | | | | | | | | | | | | | | | | | | | | | | | | | | | | | | | | |
| | | | | | | 73 | | | | 32 | 31 | 30 | 29 | 28 | | | | | | | | 23 | 22 | 21 | | | | | | | | | | | | | | | | | | | | | | | | | | | | | | | | | | | | | | | | | | | | | | | | | | | | | | | | | | | | | | | | | | | | | | | | | | | | | | | | | | | | | | | | | | | | | | | | | | | | | | | | | | | | | | | | | | | | | | | | | | | | | | | | | | | | | | | | | | | | | | | | | | | | | | | | | | | | | | | | | | | | | | | | | | | | | | | | | | | | | | | | | | | | | | | | | | | | | | | | | | | | | | | | | | | | | | | | | | | | | | | | | | | | | | | | | | | | | | | | | | | | | | | | | | | | | | | | | | | | | | | | | | | | | | | | | | | | | | | | | | | | | | | | | | | | | | | | | | | | | | | | | | | | | | | | | | | | | | | | | | | | | | | | | | | | | | | | | | | | | | | | | | | | | | | | | | | | | | | | | | | | | | | | | | | | | | | | | | | | | | | | | | | | | | | | | | | | | | | | | | | | | | | | | | | | | | | | | | | | | | | | | | | | | | | | | | | | | | | | | | | | | | | | | | | | | | | | | | | | | | | | | | | | | | | | | | | | | | | | | | | | | | | | | | | | | | | | | | | | | | | | | | | | | | | | | | | | | | | | | | | | | | | | | | | | | | | | | | | | | | | | | | | | | | | | | | | | | | | | | | | | | | | | | | | | | | | | | | | | | | | | | | | | | | | | | | | | | | | | | | | | | | | | | | | | | | | | | | | | | | | | | | | | | | | | | | | | | | | | | | | | | | | | | | | | | | | | | | | | | | | | | | | | | | | | | | | | | | | | | | | | | | | | | | | | | | | | | | | | | | | | | | | | | | | | | | | | | | | | | | | | | | | | | | | | | | | | | | | | | | | | | | | | | | | | | | | | | | | | | | | | | | | | | | | | | | | | | | | | | | | | | | | | | | | | | | | | | | | | | | | | | | | | | | | | | | | | | | | | | | | | | | | | | | | | | | | | | | | | | | | | | | | | | | | | | | | | | | | | | | | | | | | | | | | | | | | | | | | | | | | | | | | | | | | | | | | | | | | | | | | | | | | | | | | | | | | | | | | | | | | | | | | | | | | | | | | | | | | | | | | | | | | | | | | | | | | | | | | | | | | | | | | | | | | | | | | | | | | | | | | | | | | | | | | | | | | | | | | | | | | | | | | | | | | | | | | | | | | | | | | | | | | | | | | | | | | | | | | | | | | | | | | | | | | | | | | | | | | | | | | | | | | | | | | | | | | | | | | | | | | | | | | | | | | | | | | | | | | | | | | | | | | | | | | | | | | | | | | | | | | | | | | | | | | | | | | | | | | | | | | | | | | | | | | | | | | | | | | | | | | | | | | | | | | | | | | | | | | | | | | | | | | | | | | | | | | | | | | | | | | | | | | | | | | | | | | | | | | | | | | | | | | | | | | | | | | | | | | | | | | | | | | | | | | | | | | | | | | | | | | | | | | | | | | | | | | | | | | | | | | | | | | | | | | | | | | | | | | | | | | | | | | | | | | | | | | | | | | | | | | | | | | | | |
| SALEABLE | NOT APPLICABLE | 34566-8923 | 0 | A | BLACK | | 71 | 70 | 69 | 68 | 67 | | | 64 | 63 | 62 | 61 | 60 | 59 | 58 | 57 | 56 | 55 | 54 | 53 | | | | | | | 52 | 51 | 50 | 49 | | | 46 | 45 | 44 | 43 | 42 | 41 | 40 | 39 | 38 | 37 | 36 | | | | | | | | | | | | 73 | | | | 32 | | | 29 | 28 | 27 | 26 | 25 | | | | | 21 | | | | | | | | | | | | | SALEABLE | NOT APPLICABLE | 34566-8933 | 0 | C | BLUE | 72 | 71 | | 69 | 68 | | 66 | 65 | | 63 | | | | 59 | 58 | | | 56 | | | | | | | | 53 | | | | | | | | | | 43 | | | | | 39 | 38 | | | 36 | | | | | | | | | | 73 | | | | | 31 | 30 | 29 | | | | | | | 24 | 23 | 22 | 21 | 20 | | | | | | | | | | | SALEABLE | NOT APPLICABLE | 34566-8943 | 0 | B | ST GRN | 72 | | | | 68 | | | | | | 62 | 61 | | | | | | | | | | | | | | 55 | 52 | | | | | | 46 | | | 43 | | | 40 | | | | | | | | | | | | | | | | 73 | | | | | | | | | | | | | | | | 22 | 21 | 20 | 19 | 18 | 17 | | | | | | | | SALEABLE | NOT APPLICABLE | 34566-8953 | 9 | C | BLUE | 72 | 71 | 70 | 69 | | 67 | 66 | | 64 | | | 60 | | | | | | | | | | | | | | 54 | 52 | 51 | 50 | 49 | | 47 | 46 | | 44 | | | | 40 | 39 | 38 | | | | | | | | | | | | | | 73 | | | | | | 30 | 29 | 28 | 27 | 26 | 25 | 24 | 23 | 22 | 21 | | | | | | | | | | | | | 17 | SALEABLE | NOT APPLICABLE | 34566-8963 | 0 | B | ST GRN | 72 | | | | 48 | 47 | 46 | | | | 62 | 61 | 60 | 59 | | | | | | | | | | | | 55 | 52 | | | | 48 | 47 | 46 | | | 43 | | 41 | 40 | | | | | 38 | 37 | 36 | 35 | | | | | | | | 73 | | | | | | 30 | | | | | | | | | | | 22 | 21 | 20 | 19 | 18 | 17 | | | | | | | SALEABLE | NOT APPLICABLE | 34566-8973 | 0 | A | BLACK | 72 | 71 | 70 | 69 | 68 | | 66 | 65 | 64 | 63 | | | 60 | | | 57 | 56 | | | | | | | | | 54 | 52 | 51 | 50 | 49 | 48 | | 46 | 45 | 44 | 43 | 42 | | 40 | 39 | 38 | 37 | 36 | | | | | | | | | | | 34 | 73 | | | | 32 | 31 | 30 | 29 | 28 | | | | | | | | 23 | 22 | 21 | | | | | | | | | | 17 | SALEABLE | NOT APPLICABLE | 34566-8983 | 0 | C | BLUE | | 71 | 70 | | | 67 | 66 | | 64 | | | 61 | 60 | | | 57 | | | | | | | | | | 54 | 52 | 51 | 50 | 49 | 48 | 47 | | 45 | 44 | | | 41 | | | | 37 | | | | | | | | | | | | 34 | 73 | | | | 32 | | | | 28 | 27 | | 25 | | | | | | | | | | | | | | | | | 18 | SALEABLE | NOT APPLICABLE | 34822-0303 | 0 | A | BLACK | | | | | | | | | | | | | | | | | | | | | | | | | 66 | 65 | | | | | | | | | | | | | | | | | | | | | | | | | | | | 63 | 62 | 61 | 60 | 59 | | | | | | | 54 | 53 | | | | 49 | | | | | | | | | | | SALEABLE | NOT APPLICABLE | 34822-0313 | 0 | A | BLACK | | | | | | | | | | | | | | | | | | | | | | | | | 66 | 65 | | | | | 31 | | | 28 | | | | | 24 | 23 | 22 | 21 | 20 | 19 | 18 | 17 | | | | | | | | | | | 16 | 15 | 14 | 13 | | | | | | | 8 | 7 | | | | | | | | | | | | | SALEABLE | NOT APPLICABLE | 34566-8993 | 0 | B | ST GRN | | | | | | | 66 | | | | 62 | | | 58 | | | | | | | | | | | | | | | | | | | | | | | | 41 | | | 38 | 37 | | | | | | | | | | | | 73 | | | | | | | | | | | | | | | | | | | | | | | | | | | | 19 | | | | | | | | | | | | | | | | | | | | | | | | | | | | | 1 | | | | | | | | | | | | | | | | | | | | | | | | | | | | | | | | | | | | | | | | | | | | | | | | | | | | | | | | | | | | | | | | | | | | | | | | | | | | | | | | | | | | | | | | | | | | | | | | | | | | | | | | | | | | | | | | | | | | | | | | | | | | | | | | | | | | | | | | | | | | | | | | | | | | | | | | | | | | | | | | | | | | | | | | | | | | | | | | | | | | | | | | | | | | | | | | | | | | | | | | | | | | | | | | | | | | | | | | | | | | | | | | | | | | | | | | | | | | | | | | | | | | | | | | | | | | | | | | | | | | | | | | | | | | | | | | | | | | | | | | | | | | | | | | | | | | | | | | | | | | | | | | | | | | | | | | | | | | | | | | | | | | | | | | | | | | | | | | | | | | | | | | | | | | | | | | | | | | | | | | | | | | | | | | | | | | | | | | | | | | | | | | | | | | | | | | | | | | | | | | | | | | | | | | | | | | | | | | | | | | | | | | | | | | | | | | | | | | | | | | | | |
| | | | | | | 52 | 51 | 50 | 49 | | | 46 | 45 | 44 | 43 | 42 | 41 | 40 | 39 | 38 | 37 | 36 | | | | | | | | | | | | | | | | | | | | | | | | | | | | | | | | | | | | | | | | | | | | | | | | | | | | | | | | | | | | | | | | | | | | | | | | | | | | | | | | | | | | | | | | | | | | | | | | | | | | | | | | | | | | | | | | | | | | | | | | | | | | | | | | | | | | | | | | | | | | | | | | | | | | | | | | | | | | | | | | | | | | | | | | | | | | | | | | | | | | | | | | | | | | | | | | | | | | | | | | | | | | | | | | | | | | | | | | | | | | | | | | | | | | | | | | | | | | | | | | | | | | | | | | | | | | | | | | | | | | | | | | | | | | | | | | | | | | | | | | | | | | | | | | | | | | | | | | | | | | | | | | | | | | | | | | | | | | | | | | | | | | | | | | | | | | | | | | | | | | | | | | | | | | | | | | | | | | | | | | | | | | | | | | | | | | | | | | | | | | | | | | | | | | | | | | | | | | | | | | | | | | | | | | | | | | | | | | | | | | | | | | | | | | | | | | | | | | | | | | | | | | | | | | | | | | | | | | | | | | | | | | | | | | | | | | | | | | | | | | | | | | | | | | | | | | | | | | | | | | | | | | | | | | | | | | | | | | | | | | | | | | | | | | | | | | | | | | | | | | | | | | | | | | | | | | | | | | | | | | | | | | | | | | | | | | | | | | | | | | | | | | | | | | | | | | | | | | | | | | | | | | | | | | | | | | | | | | | | | | | | | | | | | | | | | | | | | | | | | | | | | | | | | | | | | | | | | | | | | | | | | | | | | | | | | | | | | | | | | | | | | | | | | | | | | | | | | | | | | | | | | | | | | | | | | | | | | | | | | | | | | | | | | | | | | | | | | | | | | | | | | | | | | | | | | | | | | | | | | | | | | | | | | | | | | | | | | | | | | | | | | | | | | | | | | | | | | | | | | | | | | | | | | | | | | | | | | | | | | | | | | | | | | | | | | | | | | | | | | | | | | | | | | | | | | | | | | | | | | | | | | | | | | | | | | | | | | | | | | | | | | | | | | | | | | | | | | | | | | | | | | | | | | | | | | | | | | | | | | | | | | | | | | | | | | | | | | | | | | | | | | | | | | | | | | | | | | | | | | | | | | | | | | | | | | | | | | | | | | | | | | | | | | | | | | | | | | | | | | | | | | | | | | | | | | | | | | | | | | | | | | | | | | | | | | | | | | | | | | | | | | | | | | | | | | | | | | | | | | | | | | | | | | | | | | | | | | | | | | | | | | | | | | | | | | | | | | | | | | | | | | | | | | | | | | | | | | | | | | | | | | | | | | | | | | | | | | | | | | | | | | | | | | | | | | | | | | | | | | | | | | | | | | | | | | | | | | | | | | | | | | | | | | | | | | | | | | | | | | | | | | | | | | | | | | | | | | | | | | | | | | | | | | | | | | | | | | | | | | | | | | | | | | | | | | | | | | | | | | | | | | | | | | | | | | | | | | | | | | | | | | | | | | | | | | | | | | | | | | | | | | | | | | | | | | | | | | | | | | | | | | | | | | | | | | |
| | | | | | | 73 | | | | 32 | | | 29 | 28 | 27 | 26 | 25 | | | | | 21 | | | | | | | | | | | | | | | | | | | | | | | | | | | | | | | | | | | | | | | | | | | | | | | | | | | | | | | | | | | | | | | | | | | | | | | | | | | | | | | | | | | | | | | | | | | | | | | | | | | | | | | | | | | | | | | | | | | | | | | | | | | | | | | | | | | | | | | | | | | | | | | | | | | | | | | | | | | | | | | | | | | | | | | | | | | | | | | | | | | | | | | | | | | | | | | | | | | | | | | | | | | | | | | | | | | | | | | | | | | | | | | | | | | | | | | | | | | | | | | | | | | | | | | | | | | | | | | | | | | | | | | | | | | | | | | | | | | | | | | | | | | | | | | | | | | | | | | | | | | | | | | | | | | | | | | | | | | | | | | | | | | | | | | | | | | | | | | | | | | | | | | | | | | | | | | | | | | | | | | | | | | | | | | | | | | | | | | | | | | | | | | | | | | | | | | | | | | | | | | | | | | | | | | | | | | | | | | | | | | | | | | | | | | | | | | | | | | | | | | | | | | | | | | | | | | | | | | | | | | | | | | | | | | | | | | | | | | | | | | | | | | | | | | | | | | | | | | | | | | | | | | | | | | | | | | | | | | | | | | | | | | | | | | | | | | | | | | | | | | | | | | | | | | | | | | | | | | | | | | | | | | | | | | | | | | | | | | | | | | | | | | | | | | | | | | | | | | | | | | | | | | | | | | | | | | | | | | | | | | | | | | | | | | | | | | | | | | | | | | | | | | | | | | | | | | | | | | | | | | | | | | | | | | | | | | | | | | | | | | | | | | | | | | | | | | | | | | | | | | | | | | | | | | | | | | | | | | | | | | | | | | | | | | | | | | | | | | | | | | | | | | | | | | | | | | | | | | | | | | | | | | | | | | | | | | | | | | | | | | | | | | | | | | | | | | | | | | | | | | | | | | | | | | | | | | | | | | | | | | | | | | | | | | | | | | | | | | | | | | | | | | | | | | | | | | | | | | | | | | | | | | | | | | | | | | | | | | | | | | | | | | | | | | | | | | | | | | | | | | | | | | | | | | | | | | | | | | | | | | | | | | | | | | | | | | | | | | | | | | | | | | | | | | | | | | | | | | | | | | | | | | | | | | | | | | | | | | | | | | | | | | | | | | | | | | | | | | | | | | | | | | | | | | | | | | | | | | | | | | | | | | | | | | | | | | | | | | | | | | | | | | | | | | | | | | | | | | | | | | | | | | | | | | | | | | | | | | | | | | | | | | | | | | | | | | | | | | | | | | | | | | | | | | | | | | | | | | | | | | | | | | | | | | | | | | | | | | | | | | | | | | | | | | | | | | | | | | | | | | | | | | | | | | | | | | | | | | | | | | | | | | | | | | | | | | | | | | | | | | | | | | | | | | | | | | | | | | | | | | | | | | | | | | | | | | | | | | | | | | | | | | | | | | | | | | | | | | | | | | | | | | | | | | | | | | | | | | | | | | | | | | | | | | | | | | | | | | | | | | | | | | | | | | | | | | | | | | | | | | | | | | | | | | | | | | |
| SALEABLE | NOT APPLICABLE | 34566-8933 | 0 | C | BLUE | 72 | 71 | | 69 | 68 | | 66 | 65 | | 63 | | | | 59 | 58 | | | 56 | | | | | | | | 53 | | | | | | | | | | 43 | | | | | 39 | 38 | | | 36 | | | | | | | | | | 73 | | | | | 31 | 30 | 29 | | | | | | | 24 | 23 | 22 | 21 | 20 | | | | | | | | | | | SALEABLE | NOT APPLICABLE | 34566-8943 | 0 | B | ST GRN | 72 | | | | 68 | | | | | | 62 | 61 | | | | | | | | | | | | | | 55 | 52 | | | | | | 46 | | | 43 | | | 40 | | | | | | | | | | | | | | | | 73 | | | | | | | | | | | | | | | | 22 | 21 | 20 | 19 | 18 | 17 | | | | | | | | SALEABLE | NOT APPLICABLE | 34566-8953 | 9 | C | BLUE | 72 | 71 | 70 | 69 | | 67 | 66 | | 64 | | | 60 | | | | | | | | | | | | | | 54 | 52 | 51 | 50 | 49 | | 47 | 46 | | 44 | | | | 40 | 39 | 38 | | | | | | | | | | | | | | 73 | | | | | | 30 | 29 | 28 | 27 | 26 | 25 | 24 | 23 | 22 | 21 | | | | | | | | | | | | | 17 | SALEABLE | NOT APPLICABLE | 34566-8963 | 0 | B | ST GRN | 72 | | | | 48 | 47 | 46 | | | | 62 | 61 | 60 | 59 | | | | | | | | | | | | 55 | 52 | | | | 48 | 47 | 46 | | | 43 | | 41 | 40 | | | | | 38 | 37 | 36 | 35 | | | | | | | | 73 | | | | | | 30 | | | | | | | | | | | 22 | 21 | 20 | 19 | 18 | 17 | | | | | | | SALEABLE | NOT APPLICABLE | 34566-8973 | 0 | A | BLACK | 72 | 71 | 70 | 69 | 68 | | 66 | 65 | 64 | 63 | | | 60 | | | 57 | 56 | | | | | | | | | 54 | 52 | 51 | 50 | 49 | 48 | | 46 | 45 | 44 | 43 | 42 | | 40 | 39 | 38 | 37 | 36 | | | | | | | | | | | 34 | 73 | | | | 32 | 31 | 30 | 29 | 28 | | | | | | | | 23 | 22 | 21 | | | | | | | | | | 17 | SALEABLE | NOT APPLICABLE | 34566-8983 | 0 | C | BLUE | | 71 | 70 | | | 67 | 66 | | 64 | | | 61 | 60 | | | 57 | | | | | | | | | | 54 | 52 | 51 | 50 | 49 | 48 | 47 | | 45 | 44 | | | 41 | | | | 37 | | | | | | | | | | | | 34 | 73 | | | | 32 | | | | 28 | 27 | | 25 | | | | | | | | | | | | | | | | | 18 | SALEABLE | NOT APPLICABLE | 34822-0303 | 0 | A | BLACK | | | | | | | | | | | | | | | | | | | | | | | | | 66 | 65 | | | | | | | | | | | | | | | | | | | | | | | | | | | | 63 | 62 | 61 | 60 | 59 | | | | | | | 54 | 53 | | | | 49 | | | | | | | | | | | SALEABLE | NOT APPLICABLE | 34822-0313 | 0 | A | BLACK | | | | | | | | | | | | | | | | | | | | | | | | | 66 | 65 | | | | | 31 | | | 28 | | | | | 24 | 23 | 22 | 21 | 20 | 19 | 18 | 17 | | | | | | | | | | | 16 | 15 | 14 | 13 | | | | | | | 8 | 7 | | | | | | | | | | | | | SALEABLE | NOT APPLICABLE | 34566-8993 | 0 | B | ST GRN | | | | | | | 66 | | | | 62 | | | 58 | | | | | | | | | | | | | | | | | | | | | | | | 41 | | | 38 | 37 | | | | | | | | | | | | 73 | | | | | | | | | | | | | | | | | | | | | | | | | | | | 19 | | | | | | | | | | | | | | | | | | | | | | | | | | | | | 1 | | | | | | | | | | | | | | | | | | | | | | | | | | | | | | | | | | | | | | | | | | | | | | | | | | | | | | | | | | | | | | | | | | | | | | | | | | | | | | | | | | | | | | | | | | | | | | | | | | | | | | | | | | | | | | | | | | | | | | | | | | | | | | | | | | | | | | | | | | | | | | | | | | | | | | | | | | | | | | | | | | | | | | | | | | | | | | | | | | | | | | | | | | | | | | | | | | | | | | | | | | | | | | | | | | | | | | | | | | | | | | | | | | | | | | | | | | | | | | | | | | | | | | | | | | | | | | | | | | | | | | | | | | | | | | | | | | | | | | | | | | | | | | | | | | | | | | | | | | | | | | | | | | | | | | | | | | | | | | | | | | | | | | | | | | | | | | | | | | | | | | | | | | | | | | | | | | | | | | | | | | | | | | | | | | | | | | | | | | | | | | | | | | | | | | | | | | | | | | | | | | | | | | | | | | | | | | | | | | | | | | | | | | | | | | | | | | | | | | | | | | | | | | | | | | | | | | | | | | | | | | | | | | | | | | | | | | | | | | | | | | | | | | | | | | | | | | | | | | | | | | | | | | | | | | | | | | | | | | | | | | | | | | | | | | | |
| | | | | | | | | | | | | | | | 43 | | | | | 39 | 38 | | | 36 | | | | | | | | | | | | | | | | | | | | | | | | | | | | | | | | | | | | | | | | | | | | | | | | | | | | | | | | | | | | | | | | | | | | | | | | | | | | | | | | | | | | | | | | | | | | | | | | | | | | | | | | | | | | | | | | | | | | | | | | | | | | | | | | | | | | | | | | | | | | | | | | | | | | | | | | | | | | | | | | | | | | | | | | | | | | | | | | | | | | | | | | | | | | | | | | | | | | | | | | | | | | | | | | | | | | | | | | | | | | | | | | | | | | | | | | | | | | | | | | | | | | | | | | | | | | | | | | | | | | | | | | | | | | | | | | | | | | | | | | | | | | | | | | | | | | | | | | | | | | | | | | | | | | | | | | | | | | | | | | | | | | | | | | | | | | | | | | | | | | | | | | | | | | | | | | | | | | | | | | | | | | | | | | | | | | | | | | | | | | | | | | | | | | | | | | | | | | | | | | | | | | | | | | | | | | | | | | | | | | | | | | | | | | | | | | | | | | | | | | | | | | | | | | | | | | | | | | | | | | | | | | | | | | | | | | | | | | | | | | | | | | | | | | | | | | | | | | | | | | | | | | | | | | | | | | | | | | | | | | | | | | | | | | | | | | | | | | | | | | | | | | | | | | | | | | | | | | | | | | | | | | | | | | | | | | | | | | | | | | | | | | | | | | | | | | | | | | | | | | | | | | | | | | | | | | | | | | | | | | | | | | | | | | | | | | | | | | | | | | | | | | | | | | | | | | | | | | | | | | | | | | | | | | | | | | | | | | | | | | | | | | | | | | | | | | | | | | | | | | | | | | | | | | | | | | | | | | | | | | | | | | | | | | | | | | | | | | | | | | | | | | | | | | | | | | | | | | | | | | | | | | | | | | | | | | | | | | | | | | | | | | | | | | | | | | | | | | | | | | | | | | | | | | | | | | | | | | | | | | | | | | | | | | | | | | | | | | | | | | | | | | | | | | | | | | | | | | | | | | | | | | | | | | | | | | | | | | | | | | | | | | | | | | | | | | | | | | | | | | | | | | | | | | | | | | | | | | | | | | | | | | | | | | | | | | | | | | | | | | | | | | | | | | | | | | | | | | | | | | | | | | | | | | | | | | | | | | | | | | | | | | | | | | | | | | | | | | | | | | | | | | | | | | | | | | | | | | | | | | | | | | | | | | | | | | | | | | | | | | | | | | | | | | | | | | | | | | | | | | | | | | | | | | | | | | | | | | | | | | | | | | | | | | | | | | | | | | | | | | | | | | | | | | | | | | | | | | | | | | | | | | | | | | | | | | | | | | | | | | | | | | | | | | | | | | | | | | | | | | | | | | | | | | | | | | | | | | | | | | | | | | | | | | | | | | | | | | | | | | | | | | | | | | | | | | | | | | | | | | | | | | | | | | | | | | | | | | | | | | | | | | | | | | | | | | | | | | | | | | | | | | | | | | | | | | | | | | | | | | | | | | | | | | | | | | | | | | | | | | | | | | | | | | | | | | | | | | | | | | | | | | | | | | | |
| | | | | | | 73 | | | | | 31 | 30 | 29 | | | | | | | 24 | 23 | 22 | 21 | 20 | | | | | | | | | | | | | | | | | | | | | | | | | | | | | | | | | | | | | | | | | | | | | | | | | | | | | | | | | | | | | | | | | | | | | | | | | | | | | | | | | | | | | | | | | | | | | | | | | | | | | | | | | | | | | | | | | | | | | | | | | | | | | | | | | | | | | | | | | | | | | | | | | | | | | | | | | | | | | | | | | | | | | | | | | | | | | | | | | | | | | | | | | | | | | | | | | | | | | | | | | | | | | | | | | | | | | | | | | | | | | | | | | | | | | | | | | | | | | | | | | | | | | | | | | | | | | | | | | | | | | | | | | | | | | | | | | | | | | | | | | | | | | | | | | | | | | | | | | | | | | | | | | | | | | | | | | | | | | | | | | | | | | | | | | | | | | | | | | | | | | | | | | | | | | | | | | | | | | | | | | | | | | | | | | | | | | | | | | | | | | | | | | | | | | | | | | | | | | | | | | | | | | | | | | | | | | | | | | | | | | | | | | | | | | | | | | | | | | | | | | | | | | | | | | | | | | | | | | | | | | | | | | | | | | | | | | | | | | | | | | | | | | | | | | | | | | | | | | | | | | | | | | | | | | | | | | | | | | | | | | | | | | | | | | | | | | | | | | | | | | | | | | | | | | | | | | | | | | | | | | | | | | | | | | | | | | | | | | | | | | | | | | | | | | | | | | | | | | | | | | | | | | | | | | | | | | | | | | | | | | | | | | | | | | | | | | | | | | | | | | | | | | | | | | | | | | | | | | | | | | | | | | | | | | | | | | | | | | | | | | | | | | | | | | | | | | | | | | | | | | | | | | | | | | | | | | | | | | | | | | | | | | | | | | | | | | | | | | | | | | | | | | | | | | | | | | | | | | | | | | | | | | | | | | | | | | | | | | | | | | | | | | | | | | | | | | | | | | | | | | | | | | | | | | | | | | | | | | | | | | | | | | | | | | | | | | | | | | | | | | | | | | | | | | | | | | | | | | | | | | | | | | | | | | | | | | | | | | | | | | | | | | | | | | | | | | | | | | | | | | | | | | | | | | | | | | | | | | | | | | | | | | | | | | | | | | | | | | | | | | | | | | | | | | | | | | | | | | | | | | | | | | | | | | | | | | | | | | | | | | | | | | | | | | | | | | | | | | | | | | | | | | | | | | | | | | | | | | | | | | | | | | | | | | | | | | | | | | | | | | | | | | | | | | | | | | | | | | | | | | | | | | | | | | | | | | | | | | | | | | | | | | | | | | | | | | | | | | | | | | | | | | | | | | | | | | | | | | | | | | | | | | | | | | | | | | | | | | | | | | | | | | | | | | | | | | | | | | | | | | | | | | | | | | | | | | | | | | | | | | | | | | | | | | | | | | | | | | | | | | | | | | | | | | | | | | | | | | | | | | | | | | | | | | | | | | | | | | | | | | | | | | | | | | | | | | | | | | | | | | | | | | | | | | | | | | | | | | | | | | | | | | | | | | | | | | | | | | | | | | | | | | | | | | | | | | | | | | | | | | | | | | | | | | |
| SALEABLE | NOT APPLICABLE | 34566-8943 | 0 | B | ST GRN | 72 | | | | 68 | | | | | | 62 | 61 | | | | | | | | | | | | | | 55 | 52 | | | | | | 46 | | | 43 | | | 40 | | | | | | | | | | | | | | | | 73 | | | | | | | | | | | | | | | | 22 | 21 | 20 | 19 | 18 | 17 | | | | | | | | SALEABLE | NOT APPLICABLE | 34566-8953 | 9 | C | BLUE | 72 | 71 | 70 | 69 | | 67 | 66 | | 64 | | | 60 | | | | | | | | | | | | | | 54 | 52 | 51 | 50 | 49 | | 47 | 46 | | 44 | | | | 40 | 39 | 38 | | | | | | | | | | | | | | 73 | | | | | | 30 | 29 | 28 | 27 | 26 | 25 | 24 | 23 | 22 | 21 | | | | | | | | | | | | | 17 | SALEABLE | NOT APPLICABLE | 34566-8963 | 0 | B | ST GRN | 72 | | | | 48 | 47 | 46 | | | | 62 | 61 | 60 | 59 | | | | | | | | | | | | 55 | 52 | | | | 48 | 47 | 46 | | | 43 | | 41 | 40 | | | | | 38 | 37 | 36 | 35 | | | | | | | | 73 | | | | | | 30 | | | | | | | | | | | 22 | 21 | 20 | 19 | 18 | 17 | | | | | | | SALEABLE | NOT APPLICABLE | 34566-8973 | 0 | A | BLACK | 72 | 71 | 70 | 69 | 68 | | 66 | 65 | 64 | 63 | | | 60 | | | 57 | 56 | | | | | | | | | 54 | 52 | 51 | 50 | 49 | 48 | | 46 | 45 | 44 | 43 | 42 | | 40 | 39 | 38 | 37 | 36 | | | | | | | | | | | 34 | 73 | | | | 32 | 31 | 30 | 29 | 28 | | | | | | | | 23 | 22 | 21 | | | | | | | | | | 17 | SALEABLE | NOT APPLICABLE | 34566-8983 | 0 | C | BLUE | | 71 | 70 | | | 67 | 66 | | 64 | | | 61 | 60 | | | 57 | | | | | | | | | | 54 | 52 | 51 | 50 | 49 | 48 | 47 | | 45 | 44 | | | 41 | | | | 37 | | | | | | | | | | | | 34 | 73 | | | | 32 | | | | 28 | 27 | | 25 | | | | | | | | | | | | | | | | | 18 | SALEABLE | NOT APPLICABLE | 34822-0303 | 0 | A | BLACK | | | | | | | | | | | | | | | | | | | | | | | | | 66 | 65 | | | | | | | | | | | | | | | | | | | | | | | | | | | | 63 | 62 | 61 | 60 | 59 | | | | | | | 54 | 53 | | | | 49 | | | | | | | | | | | SALEABLE | NOT APPLICABLE | 34822-0313 | 0 | A | BLACK | | | | | | | | | | | | | | | | | | | | | | | | | 66 | 65 | | | | | 31 | | | 28 | | | | | 24 | 23 | 22 | 21 | 20 | 19 | 18 | 17 | | | | | | | | | | | 16 | 15 | 14 | 13 | | | | | | | 8 | 7 | | | | | | | | | | | | | SALEABLE | NOT APPLICABLE | 34566-8993 | 0 | B | ST GRN | | | | | | | 66 | | | | 62 | | | 58 | | | | | | | | | | | | | | | | | | | | | | | | 41 | | | 38 | 37 | | | | | | | | | | | | 73 | | | | | | | | | | | | | | | | | | | | | | | | | | | | 19 | | | | | | | | | | | | | | | | | | | | | | | | | | | | | 1 | | | | | | | | | | | | | | | | | | | | | | | | | | | | | | | | | | | | | | | | | | | | | | | | | | | | | | | | | | | | | | | | | | | | | | | | | | | | | | | | | | | | | | | | | | | | | | | | | | | | | | | | | | | | | | | | | | | | | | | | | | | | | | | | | | | | | | | | | | | | | | | | | | | | | | | | | | | | | | | | | | | | | | | | | | | | | | | | | | | | | | | | | | | | | | | | | | | | | | | | | | | | | | | | | | | | | | | | | | | | | | | | | | | | | | | | | | | | | | | | | | | | | | | | | | | | | | | | | | | | | | | | | | | | | | | | | | | | | | | | | | | | | | | | | | | | | | | | | | | | | | | | | | | | | | | | | | | | | | | | | | | | | | | | | | | | | | | | | | | | | | | | | | | | | | | | | | | | | | | | | | | | | | | | | | | | | | | | | | | | | | | | | | | | | | | | | | | | | | | | | | | | | | | | | | | | | | | | | | | | | | | | | | | | | | | | | | | | | | | | | | | | | | | | | | | | | | | | | | | | | | | | | | | | | | | | | | | | | | | | | | | | | | | | | | | | | | | | | | | | | | | | | | | | | | | | | | | | | | | | | | | | | | | | | | | | | | | | | | | | | | | | | | | | | | | | | | | | | | | | | | | | | | | | | | | | | | | | | | | | | | | | | | | | | | | | | | | | | | | | | | | | | | | | | | | | | | | | | | | | |
| | | | | | | 52 | | | | | | 46 | | | 43 | | | 40 | | | | | | | | | | | | | | | | | | | | | | | | | | | | | | | | | | | | | | | | | | | | | | | | | | | | | | | | | | | | | | | | | | | | | | | | | | | | | | | | | | | | | | | | | | | | | | | | | | | | | | | | | | | | | | | | | | | | | | | | | | | | | | | | | | | | | | | | | | | | | | | | | | | | | | | | | | | | | | | | | | | | | | | | | | | | | | | | | | | | | | | | | | | | | | | | | | | | | | | | | | | | | | | | | | | | | | | | | | | | | | | | | | | | | | | | | | | | | | | | | | | | | | | | | | | | | | | | | | | | | | | | | | | | | | | | | | | | | | | | | | | | | | | | | | | | | | | | | | | | | | | | | | | | | | | | | | | | | | | | | | | | | | | | | | | | | | | | | | | | | | | | | | | | | | | | | | | | | | | | | | | | | | | | | | | | | | | | | | | | | | | | | | | | | | | | | | | | | | | | | | | | | | | | | | | | | | | | | | | | | | | | | | | | | | | | | | | | | | | | | | | | | | | | | | | | | | | | | | | | | | | | | | | | | | | | | | | | | | | | | | | | | | | | | | | | | | | | | | | | | | | | | | | | | | | | | | | | | | | | | | | | | | | | | | | | | | | | | | | | | | | | | | | | | | | | | | | | | | | | | | | | | | | | | | | | | | | | | | | | | | | | | | | | | | | | | | | | | | | | | | | | | | | | | | | | | | | | | | | | | | | | | | | | | | | | | | | | | | | | | | | | | | | | | | | | | | | | | | | | | | | | | | | | | | | | | | | | | | | | | | | | | | | | | | | | | | | | | | | | | | | | | | | | | | | | | | | | | | | | | | | | | | | | | | | | | | | | | | | | | | | | | | | | | | | | | | | | | | | | | | | | | | | | | | | | | | | | | | | | | | | | | | | | | | | | | | | | | | | | | | | | | | | | | | | | | | | | | | | | | | | | | | | | | | | | | | | | | | | | | | | | | | | | | | | | | | | | | | | | | | | | | | | | | | | | | | | | | | | | | | | | | | | | | | | | | | | | | | | | | | | | | | | | | | | | | | | | | | | | | | | | | | | | | | | | | | | | | | | | | | | | | | | | | | | | | | | | | | | | | | | | | | | | | | | | | | | | | | | | | | | | | | | | | | | | | | | | | | | | | | | | | | | | | | | | | | | | | | | | | | | | | | | | | | | | | | | | | | | | | | | | | | | | | | | | | | | | | | | | | | | | | | | | | | | | | | | | | | | | | | | | | | | | | | | | | | | | | | | | | | | | | | | | | | | | | | | | | | | | | | | | | | | | | | | | | | | | | | | | | | | | | | | | | | | | | | | | | | | | | | | | | | | | | | | | | | | | | | | | | | | | | | | | | | | | | | | | | | | | | | | | | | | | | | | | | | | | | | | | | | | | | | | | | | | | | | | | | | | | | | | | | | | | | | | | | | | | | | | | | | | | | | | | | | | | | | | | | | | | | | | | | | | | | | | | | | | | | | | | | | | | | | | | | | | | | | | | | | | | | | | | | | | | | | | | | | | |
| | | | | | | 73 | | | | | | | | | | | | | | | | 22 | 21 | 20 | 19 | 18 | 17 | | | | | | | | | | | | | | | | | | | | | | | | | | | | | | | | | | | | | | | | | | | | | | | | | | | | | | | | | | | | | | | | | | | | | | | | | | | | | | | | | | | | | | | | | | | | | | | | | | | | | | | | | | | | | | | | | | | | | | | | | | | | | | | | | | | | | | | | | | | | | | | | | | | | | | | | | | | | | | | | | | | | | | | | | | | | | | | | | | | | | | | | | | | | | | | | | | | | | | | | | | | | | | | | | | | | | | | | | | | | | | | | | | | | | | | | | | | | | | | | | | | | | | | | | | | | | | | | | | | | | | | | | | | | | | | | | | | | | | | | | | | | | | | | | | | | | | | | | | | | | | | | | | | | | | | | | | | | | | | | | | | | | | | | | | | | | | | | | | | | | | | | | | | | | | | | | | | | | | | | | | | | | | | | | | | | | | | | | | | | | | | | | | | | | | | | | | | | | | | | | | | | | | | | | | | | | | | | | | | | | | | | | | | | | | | | | | | | | | | | | | | | | | | | | | | | | | | | | | | | | | | | | | | | | | | | | | | | | | | | | | | | | | | | | | | | | | | | | | | | | | | | | | | | | | | | | | | | | | | | | | | | | | | | | | | | | | | | | | | | | | | | | | | | | | | | | | | | | | | | | | | | | | | | | | | | | | | | | | | | | | | | | | | | | | | | | | | | | | | | | | | | | | | | | | | | | | | | | | | | | | | | | | | | | | | | | | | | | | | | | | | | | | | | | | | | | | | | | | | | | | | | | | | | | | | | | | | | | | | | | | | | | | | | | | | | | | | | | | | | | | | | | | | | | | | | | | | | | | | | | | | | | | | | | | | | | | | | | | | | | | | | | | | | | | | | | | | | | | | | | | | | | | | | | | | | | | | | | | | | | | | | | | | | | | | | | | | | | | | | | | | | | | | | | | | | | | | | | | | | | | | | | | | | | | | | | | | | | | | | | | | | | | | | | | | | | | | | | | | | | | | | | | | | | | | | | | | | | | | | | | | | | | | | | | | | | | | | | | | | | | | | | | | | | | | | | | | | | | | | | | | | | | | | | | | | | | | | | | | | | | | | | | | | | | | | | | | | | | | | | | | | | | | | | | | | | | | | | | | | | | | | | | | | | | | | | | | | | | | | | | | | | | | | | | | | | | | | | | | | | | | | | | | | | | | | | | | | | | | | | | | | | | | | | | | | | | | | | | | | | | | | | | | | | | | | | | | | | | | | | | | | | | | | | | | | | | | | | | | | | | | | | | | | | | | | | | | | | | | | | | | | | | | | | | | | | | | | | | | | | | | | | | | | | | | | | | | | | | | | | | | | | | | | | | | | | | | | | | | | | | | | | | | | | | | | | | | | | | | | | | | | | | | | | | | | | | | | | | | | | | | | | | | | | | | | | | | | | | | | | | | | | | | | | | | | | | | | | | | | | | | | | | | | | | | | | | | | | | | | | | | | | | | | | | | | | | | | | | | | | | | | | | | | | | | | | | | | | | | | | | | | | | |
| SALEABLE | NOT APPLICABLE | 34566-8953 | 9 | C | BLUE | 72 | 71 | 70 | 69 | | 67 | 66 | | 64 | | | 60 | | | | | | | | | | | | | | 54 | 52 | 51 | 50 | 49 | | 47 | 46 | | 44 | | | | 40 | 39 | 38 | | | | | | | | | | | | | | 73 | | | | | | 30 | 29 | 28 | 27 | 26 | 25 | 24 | 23 | 22 | 21 | | | | | | | | | | | | | 17 | SALEABLE | NOT APPLICABLE | 34566-8963 | 0 | B | ST GRN | 72 | | | | 48 | 47 | 46 | | | | 62 | 61 | 60 | 59 | | | | | | | | | | | | 55 | 52 | | | | 48 | 47 | 46 | | | 43 | | 41 | 40 | | | | | 38 | 37 | 36 | 35 | | | | | | | | 73 | | | | | | 30 | | | | | | | | | | | 22 | 21 | 20 | 19 | 18 | 17 | | | | | | | SALEABLE | NOT APPLICABLE | 34566-8973 | 0 | A | BLACK | 72 | 71 | 70 | 69 | 68 | | 66 | 65 | 64 | 63 | | | 60 | | | 57 | 56 | | | | | | | | | 54 | 52 | 51 | 50 | 49 | 48 | | 46 | 45 | 44 | 43 | 42 | | 40 | 39 | 38 | 37 | 36 | | | | | | | | | | | 34 | 73 | | | | 32 | 31 | 30 | 29 | 28 | | | | | | | | 23 | 22 | 21 | | | | | | | | | | 17 | SALEABLE | NOT APPLICABLE | 34566-8983 | 0 | C | BLUE | | 71 | 70 | | | 67 | 66 | | 64 | | | 61 | 60 | | | 57 | | | | | | | | | | 54 | 52 | 51 | 50 | 49 | 48 | 47 | | 45 | 44 | | | 41 | | | | 37 | | | | | | | | | | | | 34 | 73 | | | | 32 | | | | 28 | 27 | | 25 | | | | | | | | | | | | | | | | | 18 | SALEABLE | NOT APPLICABLE | 34822-0303 | 0 | A | BLACK | | | | | | | | | | | | | | | | | | | | | | | | | 66 | 65 | | | | | | | | | | | | | | | | | | | | | | | | | | | | 63 | 62 | 61 | 60 | 59 | | | | | | | 54 | 53 | | | | 49 | | | | | | | | | | | SALEABLE | NOT APPLICABLE | 34822-0313 | 0 | A | BLACK | | | | | | | | | | | | | | | | | | | | | | | | | 66 | 65 | | | | | 31 | | | 28 | | | | | 24 | 23 | 22 | 21 | 20 | 19 | 18 | 17 | | | | | | | | | | | 16 | 15 | 14 | 13 | | | | | | | 8 | 7 | | | | | | | | | | | | | SALEABLE | NOT APPLICABLE | 34566-8993 | 0 | B | ST GRN | | | | | | | 66 | | | | 62 | | | 58 | | | | | | | | | | | | | | | | | | | | | | | | 41 | | | 38 | 37 | | | | | | | | | | | | 73 | | | | | | | | | | | | | | | | | | | | | | | | | | | | 19 | | | | | | | | | | | | | | | | | | | | | | | | | | | | | 1 | | | | | | | | | | | | | | | | | | | | | | | | | | | | | | | | | | | | | | | | | | | | | | | | | | | | | | | | | | | | | | | | | | | | | | | | | | | | | | | | | | | | | | | | | | | | | | | | | | | | | | | | | | | | | | | | | | | | | | | | | | | | | | | | | | | | | | | | | | | | | | | | | | | | | | | | | | | | | | | | | | | | | | | | | | | | | | | | | | | | | | | | | | | | | | | | | | | | | | | | | | | | | | | | | | | | | | | | | | | | | | | | | | | | | | | | | | | | | | | | | | | | | | | | | | | | | | | | | | | | | | | | | | | | | | | | | | | | | | | | | | | | | | | | | | | | | | | | | | | | | | | | | | | | | | | | | | | | | | | | | | | | | | | | | | | | | | | | | | | | | | | | | | | | | | | | | | | | | | | | | | | | | | | | | | | | | | | | | | | | | | | | | | | | | | | | | | | | | | | | | | | | | | | | | | | | | | | | | | | | | | | | | | | | | | | | | | | | | | | | | | | | | | | | | | | | | | | | | | | | | | | | | | | | | | | | | | | | | | | | | | | | | | | | | | | | | | | | | | | | | | | | | | | | | | | | | | | | | | | | | | | | | | | | | | | | | | | | | | | | | | | | | | | | | | | | | | | | | | | | | | | | | | | | | | | | | | | | | | | | | | | | | | | | | | | | | | | | | | | | | | | | | | | | | | | | | | | | | | | | | | | | | | | | | | | | | | | | | | | | | | | | | | | | | | | | | | | | | | | | | | | | | | | | | | | | | | | | | | | | | | | | | | | | | | | | | | | | | | | | | | | | | | | | | |
| | | | | | | 52 | 51 | 50 | 49 | | 47 | 46 | | 44 | | | | 40 | 39 | 38 | | | | | | | | | | | | | | | | | | | | | | | | | | | | | | | | | | | | | | | | | | | | | | | | | | | | | | | | | | | | | | | | | | | | | | | | | | | | | | | | | | | | | | | | | | | | | | | | | | | | | | | | | | | | | | | | | | | | | | | | | | | | | | | | | | | | | | | | | | | | | | | | | | | | | | | | | | | | | | | | | | | | | | | | | | | | | | | | | | | | | | | | | | | | | | | | | | | | | | | | | | | | | | | | | | | | | | | | | | | | | | | | | | | | | | | | | | | | | | | | | | | | | | | | | | | | | | | | | | | | | | | | | | | | | | | | | | | | | | | | | | | | | | | | | | | | | | | | | | | | | | | | | | | | | | | | | | | | | | | | | | | | | | | | | | | | | | | | | | | | | | | | | | | | | | | | | | | | | | | | | | | | | | | | | | | | | | | | | | | | | | | | | | | | | | | | | | | | | | | | | | | | | | | | | | | | | | | | | | | | | | | | | | | | | | | | | | | | | | | | | | | | | | | | | | | | | | | | | | | | | | | | | | | | | | | | | | | | | | | | | | | | | | | | | | | | | | | | | | | | | | | | | | | | | | | | | | | | | | | | | | | | | | | | | | | | | | | | | | | | | | | | | | | | | | | | | | | | | | | | | | | | | | | | | | | | | | | | | | | | | | | | | | | | | | | | | | | | | | | | | | | | | | | | | | | | | | | | | | | | | | | | | | | | | | | | | | | | | | | | | | | | | | | | | | | | | | | | | | | | | | | | | | | | | | | | | | | | | | | | | | | | | | | | | | | | | | | | | | | | | | | | | | | | | | | | | | | | | | | | | | | | | | | | | | | | | | | | | | | | | | | | | | | | | | | | | | | | | | | | | | | | | | | | | | | | | | | | | | | | | | | | | | | | | | | | | | | | | | | | | | | | | | | | | | | | | | | | | | | | | | | | | | | | | | | | | | | | | | | | | | | | | | | | | | | | | | | | | | | | | | | | | | | | | | | | | | | | | | | | | | | | | | | | | | | | | | | | | | | | | | | | | | | | | | | | | | | | | | | | | | | | | | | | | | | | | | | | | | | | | | | | | | | | | | | | | | | | | | | | | | | | | | | | | | | | | | | | | | | | | | | | | | | | | | | | | | | | | | | | | | | | | | | | | | | | | | | | | | | | | | | | | | | | | | | | | | | | | | | | | | | | | | | | | | | | | | | | | | | | | | | | | | | | | | | | | | | | | | | | | | | | | | | | | | | | | | | | | | | | | | | | | | | | | | | | | | | | | | | | | | | | | | | | | | | | | | | | | | | | | | | | | | | | | | | | | | | | | | | | | | | | | | | | | | | | | | | | | | | | | | | | | | | | | | | | | | | | | | | | | | | | | | | | | | | | | | | | | | | | | | | | | | | | | | | | | | | | | | | | | | | | | | | | | | | | | | | | | | | | | | | | | | | | | | | | | | | | | | | | | | | | | | | | | | | | | | | | | | | | | | | | | | | | | | | | | | | | | | | | | | | | | | | | | | | | | |
| | | | | | | 73 | | | | | | 30 | 29 | 28 | 27 | 26 | 25 | 24 | 23 | 22 | 21 | | | | | | | | | | | | | 17 | | | | | | | | | | | | | | | | | | | | | | | | | | | | | | | | | | | | | | | | | | | | | | | | | | | | | | | | | | | | | | | | | | | | | | | | | | | | | | | | | | | | | | | | | | | | | | | | | | | | | | | | | | | | | | | | | | | | | | | | | | | | | | | | | | | | | | | | | | | | | | | | | | | | | | | | | | | | | | | | | | | | | | | | | | | | | | | | | | | | | | | | | | | | | | | | | | | | | | | | | | | | | | | | | | | | | | | | | | | | | | | | | | | | | | | | | | | | | | | | | | | | | | | | | | | | | | | | | | | | | | | | | | | | | | | | | | | | | | | | | | | | | | | | | | | | | | | | | | | | | | | | | | | | | | | | | | | | | | | | | | | | | | | | | | | | | | | | | | | | | | | | | | | | | | | | | | | | | | | | | | | | | | | | | | | | | | | | | | | | | | | | | | | | | | | | | | | | | | | | | | | | | | | | | | | | | | | | | | | | | | | | | | | | | | | | | | | | | | | | | | | | | | | | | | | | | | | | | | | | | | | | | | | | | | | | | | | | | | | | | | | | | | | | | | | | | | | | | | | | | | | | | | | | | | | | | | | | | | | | | | | | | | | | | | | | | | | | | | | | | | | | | | | | | | | | | | | | | | | | | | | | | | | | | | | | | | | | | | | | | | | | | | | | | | | | | | | | | | | | | | | | | | | | | | | | | | | | | | | | | | | | | | | | | | | | | | | | | | | | | | | | | | | | | | | | | | | | | | | | | | | | | | | | | | | | | | | | | | | | | | | | | | | | | | | | | | | | | | | | | | | | | | | | | | | | | | | | | | | | | | | | | | | | | | | | | | | | | | | | | | | | | | | | | | | | | | | | | | | | | | | | | | | | | | | | | | | | | | | | | | | | | | | | | | | | | | | | | | | | | | | | | | | | | | | | | | | | | | | | | | | | | | | | | | | | | | | | | | | | | | | | | | | | | | | | | | | | | | | | | | | | | | | | | | | | | | | | | | | | | | | | | | | | | | | | | | | | | | | | | | | | | | | | | | | | | | | | | | | | | | | | | | | | | | | | | | | | | | | | | | | | | | | | | | | | | | | | | | | | | | | | | | | | | | | | | | | | | | | | | | | | | | | | | | | | | | | | | | | | | | | | | | | | | | | | | | | | | | | | | | | | | | | | | | | | | | | | | | | | | | | | | | | | | | | | | | | | | | | | | | | | | | | | | | | | | | | | | | | | | | | | | | | | | | | | | | | | | | | | | | | | | | | | | | | | | | | | | | | | | | | | | | | | | | | | | | | | | | | | | | | | | | | | | | | | | | | | | | | | | | | | | | | | | | | | | | | | | | | | | | | | | | | | | | | | | | | | | | | | | | | | | | | | | | | | | | | | | | | | | | | | | | | | | | | | | | | | | | | | | | | | | | | | | | | | | | | | | | | | | | | | | | | | | | | | | | | | | | | | | | | | | | | | | | | | | | | | | | | | | | | | | | | | | | | | | | | | | | | |
| SALEABLE | NOT APPLICABLE | 34566-8963 | 0 | B | ST GRN | 72 | | | | 48 | 47 | 46 | | | | 62 | 61 | 60 | 59 | | | | | | | | | | | | 55 | 52 | | | | 48 | 47 | 46 | | | 43 | | 41 | 40 | | | | | 38 | 37 | 36 | 35 | | | | | | | | 73 | | | | | | 30 | | | | | | | | | | | 22 | 21 | 20 | 19 | 18 | 17 | | | | | | | SALEABLE | NOT APPLICABLE | 34566-8973 | 0 | A | BLACK | 72 | 71 | 70 | 69 | 68 | | 66 | 65 | 64 | 63 | | | 60 | | | 57 | 56 | | | | | | | | | 54 | 52 | 51 | 50 | 49 | 48 | | 46 | 45 | 44 | 43 | 42 | | 40 | 39 | 38 | 37 | 36 | | | | | | | | | | | 34 | 73 | | | | 32 | 31 | 30 | 29 | 28 | | | | | | | | 23 | 22 | 21 | | | | | | | | | | 17 | SALEABLE | NOT APPLICABLE | 34566-8983 | 0 | C | BLUE | | 71 | 70 | | | 67 | 66 | | 64 | | | 61 | 60 | | | 57 | | | | | | | | | | 54 | 52 | 51 | 50 | 49 | 48 | 47 | | 45 | 44 | | | 41 | | | | 37 | | | | | | | | | | | | 34 | 73 | | | | 32 | | | | 28 | 27 | | 25 | | | | | | | | | | | | | | | | | 18 | SALEABLE | NOT APPLICABLE | 34822-0303 | 0 | A | BLACK | | | | | | | | | | | | | | | | | | | | | | | | | 66 | 65 | | | | | | | | | | | | | | | | | | | | | | | | | | | | 63 | 62 | 61 | 60 | 59 | | | | | | | 54 | 53 | | | | 49 | | | | | | | | | | | SALEABLE | NOT APPLICABLE | 34822-0313 | 0 | A | BLACK | | | | | | | | | | | | | | | | | | | | | | | | | 66 | 65 | | | | | 31 | | | 28 | | | | | 24 | 23 | 22 | 21 | 20 | 19 | 18 | 17 | | | | | | | | | | | 16 | 15 | 14 | 13 | | | | | | | 8 | 7 | | | | | | | | | | | | | SALEABLE | NOT APPLICABLE | 34566-8993 | 0 | B | ST GRN | | | | | | | 66 | | | | 62 | | | 58 | | | | | | | | | | | | | | | | | | | | | | | | 41 | | | 38 | 37 | | | | | | | | | | | | 73 | | | | | | | | | | | | | | | | | | | | | | | | | | | | 19 | | | | | | | | | | | | | | | | | | | | | | | | | | | | | 1 | | | | | | | | | | | | | | | | | | | | | | | | | | | | | | | | | | | | | | | | | | | | | | | | | | | | | | | | | | | | | | | | | | | | | | | | | | | | | | | | | | | | | | | | | | | | | | | | | | | | | | | | | | | | | | | | | | | | | | | | | | | | | | | | | | | | | | | | | | | | | | | | | | | | | | | | | | | | | | | | | | | | | | | | | | | | | | | | | | | | | | | | | | | | | | | | | | | | | | | | | | | | | | | | | | | | | | | | | | | | | | | | | | | | | | | | | | | | | | | | | | | | | | | | | | | | | | | | | | | | | | | | | | | | | | | | | | | | | | | | | | | | | | | | | | | | | | | | | | | | | | | | | | | | | | | | | | | | | | | | | | | | | | | | | | | | | | | | | | | | | | | | | | | | | | | | | | | | | | | | | | | | | | | | | | | | | | | | | | | | | | | | | | | | | | | | | | | | | | | | | | | | | | | | | | | | | | | | | | | | | | | | | | | | | | | | | | | | | | | | | | | | | | | | | | | | | | | | | | | | | | | | | | | | | | | | | | | | | | | | | | | | | | | | | | | | | | | | | | | | | | | | | | | | | | | | | | | | | | | | | | | | | | | | | | | | | | | | | | | | | | | | | | | | | | | | | | | | | | | | | | | | | | | | | | | | | | | | | | | | | | | | | | | | | | | | | | | | | | | | | | | | | | | | | | | | | | | | | | | | | | | | | | | | | | | | | | | | | | | | | | | | | | | | | | | | | | | | | | | | | | | | | | | | | | | | | | | | | | | | | | | | | | | | | | | | | | | | | | | | | | | | | | | | | | | | | | | | | | | | | | | | | | | | | | | | | | | | | | | | | | | | | | | | | | | | | | | | | | | | | | | | | | | | | | | | | | | | | | | | | | | | | | | | | | | | | | | | | | |
| | | | | | | 52 | | | | 48 | 47 | 46 | | | 43 | | 41 | 40 | | | | | 38 | 37 | 36 | 35 | | | | | | | | | | | | | | | | | | | | | | | | | | | | | | | | | | | | | | | | | | | | | | | | | | | | | | | | | | | | | | | | | | | | | | | | | | | | | | | | | | | | | | | | | | | | | | | | | | | | | | | | | | | | | | | | | | | | | | | | | | | | | | | | | | | | | | | | | | | | | | | | | | | | | | | | | | | | | | | | | | | | | | | | | | | | | | | | | | | | | | | | | | | | | | | | | | | | | | | | | | | | | | | | | | | | | | | | | | | | | | | | | | | | | | | | | | | | | | | | | | | | | | | | | | | | | | | | | | | | | | | | | | | | | | | | | | | | | | | | | | | | | | | | | | | | | | | | | | | | | | | | | | | | | | | | | | | | | | | | | | | | | | | | | | | | | | | | | | | | | | | | | | | | | | | | | | | | | | | | | | | | | | | | | | | | | | | | | | | | | | | | | | | | | | | | | | | | | | | | | | | | | | | | | | | | | | | | | | | | | | | | | | | | | | | | | | | | | | | | | | | | | | | | | | | | | | | | | | | | | | | | | | | | | | | | | | | | | | | | | | | | | | | | | | | | | | | | | | | | | | | | | | | | | | | | | | | | | | | | | | | | | | | | | | | | | | | | | | | | | | | | | | | | | | | | | | | | | | | | | | | | | | | | | | | | | | | | | | | | | | | | | | | | | | | | | | | | | | | | | | | | | | | | | | | | | | | | | | | | | | | | | | | | | | | | | | | | | | | | | | | | | | | | | | | | | | | | | | | | | | | | | | | | | | | | | | | | | | | | | | | | | | | | | | | | | | | | | | | | | | | | | | | | | | | | | | | | | | | | | | | | | | | | | | | | | | | | | | | | | | | | | | | | | | | | | | | | | | | | | | | | | | | | | | | | | | | | | | | | | | | | | | | | | | | | | | | | | | | | | | | | | | | | | | | | | | | | | | | | | | | | | | | | | | | | | | | | | | | | | | | | | | | | | | | | | | | | | | | | | | | | | | | | | | | | | | | | | | | | | | | | | | | | | | | | | | | | | | | | | | | | | | | | | | | | | | | | | | | | | | | | | | | | | | | | | | | | | | | | | | | | | | | | | | | | | | | | | | | | | | | | | | | | | | | | | | | | | | | | | | | | | | | | | | | | | | | | | | | | | | | | | | | | | | | | | | | | | | | | | | | | | | | | | | | | | | | | | | | | | | | | | | | | | | | | | | | | | | | | | | | | | | | | | | | | | | | | | | | | | | | | | | | | | | | | | | | | | | | | | | | | | | | | | | | | | | | | | | | | | | | | | | | | | | | | | | | | | | | | | | | | | | | | | | | | | | | | | | | | | | | | | | | | | | | | | | | | | | | | | | | | | | | | | | | | | | | | | | | | | | | | | | | | | | | | | | | | | | | | | | | | | | | | | | | | | | | | | | | | | | | | | | | | | | | | | | | | | | | | | | | | | | | | | | | | | | | | | | | | | | | | | | | | | | | | | | | | | | | | | | | | | | | | | | | | | | | | | | | | | | | | | | | |
| | | | | | | 73 | | | | | | 30 | | | | | | | | | | | 22 | 21 | 20 | 19 | 18 | 17 | | | | | | | | | | | | | | | | | | | | | | | | | | | | | | | | | | | | | | | | | | | | | | | | | | | | | | | | | | | | | | | | | | | | | | | | | | | | | | | | | | | | | | | | | | | | | | | | | | | | | | | | | | | | | | | | | | | | | | | | | | | | | | | | | | | | | | | | | | | | | | | | | | | | | | | | | | | | | | | | | | | | | | | | | | | | | | | | | | | | | | | | | | | | | | | | | | | | | | | | | | | | | | | | | | | | | | | | | | | | | | | | | | | | | | | | | | | | | | | | | | | | | | | | | | | | | | | | | | | | | | | | | | | | | | | | | | | | | | | | | | | | | | | | | | | | | | | | | | | | | | | | | | | | | | | | | | | | | | | | | | | | | | | | | | | | | | | | | | | | | | | | | | | | | | | | | | | | | | | | | | | | | | | | | | | | | | | | | | | | | | | | | | | | | | | | | | | | | | | | | | | | | | | | | | | | | | | | | | | | | | | | | | | | | | | | | | | | | | | | | | | | | | | | | | | | | | | | | | | | | | | | | | | | | | | | | | | | | | | | | | | | | | | | | | | | | | | | | | | | | | | | | | | | | | | | | | | | | | | | | | | | | | | | | | | | | | | | | | | | | | | | | | | | | | | | | | | | | | | | | | | | | | | | | | | | | | | | | | | | | | | | | | | | | | | | | | | | | | | | | | | | | | | | | | | | | | | | | | | | | | | | | | | | | | | | | | | | | | | | | | | | | | | | | | | | | | | | | | | | | | | | | | | | | | | | | | | | | | | | | | | | | | | | | | | | | | | | | | | | | | | | | | | | | | | | | | | | | | | | | | | | | | | | | | | | | | | | | | | | | | | | | | | | | | | | | | | | | | | | | | | | | | | | | | | | | | | | | | | | | | | | | | | | | | | | | | | | | | | | | | | | | | | | | | | | | | | | | | | | | | | | | | | | | | | | | | | | | | | | | | | | | | | | | | | | | | | | | | | | | | | | | | | | | | | | | | | | | | | | | | | | | | | | | | | | | | | | | | | | | | | | | | | | | | | | | | | | | | | | | | | | | | | | | | | | | | | | | | | | | | | | | | | | | | | | | | | | | | | | | | | | | | | | | | | | | | | | | | | | | | | | | | | | | | | | | | | | | | | | | | | | | | | | | | | | | | | | | | | | | | | | | | | | | | | | | | | | | | | | | | | | | | | | | | | | | | | | | | | | | | | | | | | | | | | | | | | | | | | | | | | | | | | | | | | | | | | | | | | | | | | | | | | | | | | | | | | | | | | | | | | | | | | | | | | | | | | | | | | | | | | | | | | | | | | | | | | | | | | | | | | | | | | | | | | | | | | | | | | | | | | | | | | | | | | | | | | | | | | | | | | | | | | | | | | | | | | | | | | | | | | | | | | | | | | | | | | | | | | | | | | | | | | | | | | | | | | | | | | | | | | | | | | | | | | | | | | | | | | | | | | | | | | | | | | | | | | | | | | | | | | | | | | | | | | | | | | | | | | | | | | | | |
| SALEABLE | NOT APPLICABLE | 34566-8973 | 0 | A | BLACK | 72 | 71 | 70 | 69 | 68 | | 66 | 65 | 64 | 63 | | | 60 | | | 57 | 56 | | | | | | | | | 54 | 52 | 51 | 50 | 49 | 48 | | 46 | 45 | 44 | 43 | 42 | | 40 | 39 | 38 | 37 | 36 | | | | | | | | | | | 34 | 73 | | | | 32 | 31 | 30 | 29 | 28 | | | | | | | | 23 | 22 | 21 | | | | | | | | | | 17 | SALEABLE | NOT APPLICABLE | 34566-8983 | 0 | C | BLUE | | 71 | 70 | | | 67 | 66 | | 64 | | | 61 | 60 | | | 57 | | | | | | | | | | 54 | 52 | 51 | 50 | 49 | 48 | 47 | | 45 | 44 | | | 41 | | | | 37 | | | | | | | | | | | | 34 | 73 | | | | 32 | | | | 28 | 27 | | 25 | | | | | | | | | | | | | | | | | 18 | SALEABLE | NOT APPLICABLE | 34822-0303 | 0 | A | BLACK | | | | | | | | | | | | | | | | | | | | | | | | | 66 | 65 | | | | | | | | | | | | | | | | | | | | | | | | | | | | 63 | 62 | 61 | 60 | 59 | | | | | | | 54 | 53 | | | | 49 | | | | | | | | | | | SALEABLE | NOT APPLICABLE | 34822-0313 | 0 | A | BLACK | | | | | | | | | | | | | | | | | | | | | | | | | 66 | 65 | | | | | 31 | | | 28 | | | | | 24 | 23 | 22 | 21 | 20 | 19 | 18 | 17 | | | | | | | | | | | 16 | 15 | 14 | 13 | | | | | | | 8 | 7 | | | | | | | | | | | | | SALEABLE | NOT APPLICABLE | 34566-8993 | 0 | B | ST GRN | | | | | | | 66 | | | | 62 | | | 58 | | | | | | | | | | | | | | | | | | | | | | | | 41 | | | 38 | 37 | | | | | | | | | | | | 73 | | | | | | | | | | | | | | | | | | | | | | | | | | | | 19 | | | | | | | | | | | | | | | | | | | | | | | | | | | | | 1 | | | | | | | | | | | | | | | | | | | | | | | | | | | | | | | | | | | | | | | | | | | | | | | | | | | | | | | | | | | | | | | | | | | | | | | | | | | | | | | | | | | | | | | | | | | | | | | | | | | | | | | | | | | | | | | | | | | | | | | | | | | | | | | | | | | | | | | | | | | | | | | | | | | | | | | | | | | | | | | | | | | | | | | | | | | | | | | | | | | | | | | | | | | | | | | | | | | | | | | | | | | | | | | | | | | | | | | | | | | | | | | | | | | | | | | | | | | | | | | | | | | | | | | | | | | | | | | | | | | | | | | | | | | | | | | | | | | | | | | | | | | | | | | | | | | | | | | | | | | | | | | | | | | | | | | | | | | | | | | | | | | | | | | | | | | | | | | | | | | | | | | | | | | | | | | | | | | | | | | | | | | | | | | | | | | | | | | | | | | | | | | | | | | | | | | | | | | | | | | | | | | | | | | | | | | | | | | | | | | | | | | | | | | | | | | | | | | | | | | | | | | | | | | | | | | | | | | | | | | | | | | | | | | | | | | | | | | | | | | | | | | | | | | | | | | | | | | | | | | | | | | | | | | | | | | | | | | | | | | | | | | | | | | | | | | | | | | | | | | | | | | | | | | | | | | | | | | | | | | | | | | | | | | | | | | | | | | | | | | | | | | | | | | | | | | | | | | | | | | | | | | | | | | | | | | | | | | | | | | | | | | | | | | | | | | | | | | | | | | | | | | | | | | | | | | | | | | | | | | | | | | | | | | | | | | | | | | | | | | | | | | | | | | | | | | | | | | | | | | | | | | | | | | | | | | | | | | | | | | | | | | | | | | | | | | | | | | | | | | | | | | | | | | | | | | | | | | | | | | | | | | | | | | | | | | | | | | | | | | | | | | | | | | | | | | | | | | | | | | | | | | | | | | | | | | | | | | | | | | | | | | | | | | | | | | | | | | | | | | | | | | | | | | | | | | | | | | | | | | | | | | | | | | | | | | | | | | | | | | | | | | | | | | |
| | | | | | | 52 | 51 | 50 | 49 | 48 | | 46 | 45 | 44 | 43 | 42 | | 40 | 39 | 38 | 37 | 36 | | | | | | | | | | | 34 | | | | | | | | | | | | | | | | | | | | | | | | | | | | | | | | | | | | | | | | | | | | | | | | | | | | | | | | | | | | | | | | | | | | | | | | | | | | | | | | | | | | | | | | | | | | | | | | | | | | | | | | | | | | | | | | | | | | | | | | | | | | | | | | | | | | | | | | | | | | | | | | | | | | | | | | | | | | | | | | | | | | | | | | | | | | | | | | | | | | | | | | | | | | | | | | | | | | | | | | | | | | | | | | | | | | | | | | | | | | | | | | | | | | | | | | | | | | | | | | | | | | | | | | | | | | | | | | | | | | | | | | | | | | | | | | | | | | | | | | | | | | | | | | | | | | | | | | | | | | | | | | | | | | | | | | | | | | | | | | | | | | | | | | | | | | | | | | | | | | | | | | | | | | | | | | | | | | | | | | | | | | | | | | | | | | | | | | | | | | | | | | | | | | | | | | | | | | | | | | | | | | | | | | | | | | | | | | | | | | | | | | | | | | | | | | | | | | | | | | | | | | | | | | | | | | | | | | | | | | | | | | | | | | | | | | | | | | | | | | | | | | | | | | | | | | | | | | | | | | | | | | | | | | | | | | | | | | | | | | | | | | | | | | | | | | | | | | | | | | | | | | | | | | | | | | | | | | | | | | | | | | | | | | | | | | | | | | | | | | | | | | | | | | | | | | | | | | | | | | | | | | | | | | | | | | | | | | | | | | | | | | | | | | | | | | | | | | | | | | | | | | | | | | | | | | | | | | | | | | | | | | | | | | | | | | | | | | | | | | | | | | | | | | | | | | | | | | | | | | | | | | | | | | | | | | | | | | | | | | | | | | | | | | | | | | | | | | | | | | | | | | | | | | | | | | | | | | | | | | | | | | | | | | | | | | | | | | | | | | | | | | | | | | | | | | | | | | | | | | | | | | | | | | | | | | | | | | | | | | | | | | | | | | | | | | | | | | | | | | | | | | | | | | | | | | | | | | | | | | | | | | | | | | | | | | | | | | | | | | | | | | | | | | | | | | | | | | | | | | | | | | | | | | | | | | | | | | | | | | | | | | | | | | | | | | | | | | | | | | | | | | | | | | | | | | | | | | | | | | | | | | | | | | | | | | | | | | | | | | | | | | | | | | | | | | | | | | | | | | | | | | | | | | | | | | | | | | | | | | | | | | | | | | | | | | | | | | | | | | | | | | | | | | | | | | | | | | | | | | | | | | | | | | | | | | | | | | | | | | | | | | | | | | | | | | | | | | | | | | | | | | | | | | | | | | | | | | | | | | | | | | | | | | | | | | | | | | | | | | | | | | | | | | | | | | | | | | | | | | | | | | | | | | | | | | | | | | | | | | | | | | | | | | | | | | | | | | | | | | | | | | | | | | | | | | | | | | | | | | | | | | | | | | | | | | | | | | | | | | | | | | | | | | | | | | | | | | | | | | | | | | | | | | | | | | | | | | | | | | | | | | | | | | | | | | | | | | | | | | | | | | | | | | | | | | | | | | | | | | |
| | | | | | | 73 | | | | 32 | 31 | 30 | 29 | 28 | | | | | | | | 23 | 22 | 21 | | | | | | | | | | 17 | | | | | | | | | | | | | | | | | | | | | | | | | | | | | | | | | | | | | | | | | | | | | | | | | | | | | | | | | | | | | | | | | | | | | | | | | | | | | | | | | | | | | | | | | | | | | | | | | | | | | | | | | | | | | | | | | | | | | | | | | | | | | | | | | | | | | | | | | | | | | | | | | | | | | | | | | | | | | | | | | | | | | | | | | | | | | | | | | | | | | | | | | | | | | | | | | | | | | | | | | | | | | | | | | | | | | | | | | | | | | | | | | | | | | | | | | | | | | | | | | | | | | | | | | | | | | | | | | | | | | | | | | | | | | | | | | | | | | | | | | | | | | | | | | | | | | | | | | | | | | | | | | | | | | | | | | | | | | | | | | | | | | | | | | | | | | | | | | | | | | | | | | | | | | | | | | | | | | | | | | | | | | | | | | | | | | | | | | | | | | | | | | | | | | | | | | | | | | | | | | | | | | | | | | | | | | | | | | | | | | | | | | | | | | | | | | | | | | | | | | | | | | | | | | | | | | | | | | | | | | | | | | | | | | | | | | | | | | | | | | | | | | | | | | | | | | | | | | | | | | | | | | | | | | | | | | | | | | | | | | | | | | | | | | | | | | | | | | | | | | | | | | | | | | | | | | | | | | | | | | | | | | | | | | | | | | | | | | | | | | | | | | | | | | | | | | | | | | | | | | | | | | | | | | | | | | | | | | | | | | | | | | | | | | | | | | | | | | | | | | | | | | | | | | | | | | | | | | | | | | | | | | | | | | | | | | | | | | | | | | | | | | | | | | | | | | | | | | | | | | | | | | | | | | | | | | | | | | | | | | | | | | | | | | | | | | | | | | | | | | | | | | | | | | | | | | | | | | | | | | | | | | | | | | | | | | | | | | | | | | | | | | | | | | | | | | | | | | | | | | | | | | | | | | | | | | | | | | | | | | | | | | | | | | | | | | | | | | | | | | | | | | | | | | | | | | | | | | | | | | | | | | | | | | | | | | | | | | | | | | | | | | | | | | | | | | | | | | | | | | | | | | | | | | | | | | | | | | | | | | | | | | | | | | | | | | | | | | | | | | | | | | | | | | | | | | | | | | | | | | | | | | | | | | | | | | | | | | | | | | | | | | | | | | | | | | | | | | | | | | | | | | | | | | | | | | | | | | | | | | | | | | | | | | | | | | | | | | | | | | | | | | | | | | | | | | | | | | | | | | | | | | | | | | | | | | | | | | | | | | | | | | | | | | | | | | | | | | | | | | | | | | | | | | | | | | | | | | | | | | | | | | | | | | | | | | | | | | | | | | | | | | | | | | | | | | | | | | | | | | | | | | | | | | | | | | | | | | | | | | | | | | | | | | | | | | | | | | | | | | | | | | | | | | | | | | | | | | | | | | | | | | | | | | | | | | | | | | | | | | | | | | | | | | | | | | | | | | | | | | | | | | | | | | | | | | | | | | | | | | | | | | | | | | | | | | | | | | | | | | | | | | | | | | | | | | | | | | | | |
| SALEABLE | NOT APPLICABLE | 34566-8983 | 0 | C | BLUE | | 71 | 70 | | | 67 | 66 | | 64 | | | 61 | 60 | | | 57 | | | | | | | | | | 54 | 52 | 51 | 50 | 49 | 48 | 47 | | 45 | 44 | | | 41 | | | | 37 | | | | | | | | | | | | 34 | 73 | | | | 32 | | | | 28 | 27 | | 25 | | | | | | | | | | | | | | | | | 18 | SALEABLE | NOT APPLICABLE | 34822-0303 | 0 | A | BLACK | | | | | | | | | | | | | | | | | | | | | | | | | 66 | 65 | | | | | | | | | | | | | | | | | | | | | | | | | | | | 63 | 62 | 61 | 60 | 59 | | | | | | | 54 | 53 | | | | 49 | | | | | | | | | | | SALEABLE | NOT APPLICABLE | 34822-0313 | 0 | A | BLACK | | | | | | | | | | | | | | | | | | | | | | | | | 66 | 65 | | | | | 31 | | | 28 | | | | | 24 | 23 | 22 | 21 | 20 | 19 | 18 | 17 | | | | | | | | | | | 16 | 15 | 14 | 13 | | | | | | | 8 | 7 | | | | | | | | | | | | | SALEABLE | NOT APPLICABLE | 34566-8993 | 0 | B | ST GRN | | | | | | | 66 | | | | 62 | | | 58 | | | | | | | | | | | | | | | | | | | | | | | | 41 | | | 38 | 37 | | | | | | | | | | | | 73 | | | | | | | | | | | | | | | | | | | | | | | | | | | | 19 | | | | | | | | | | | | | | | | | | | | | | | | | | | | | 1 | | | | | | | | | | | | | | | | | | | | | | | | | | | | | | | | | | | | | | | | | | | | | | | | | | | | | | | | | | | | | | | | | | | | | | | | | | | | | | | | | | | | | | | | | | | | | | | | | | | | | | | | | | | | | | | | | | | | | | | | | | | | | | | | | | | | | | | | | | | | | | | | | | | | | | | | | | | | | | | | | | | | | | | | | | | | | | | | | | | | | | | | | | | | | | | | | | | | | | | | | | | | | | | | | | | | | | | | | | | | | | | | | | | | | | | | | | | | | | | | | | | | | | | | | | | | | | | | | | | | | | | | | | | | | | | | | | | | | | | | | | | | | | | | | | | | | | | | | | | | | | | | | | | | | | | | | | | | | | | | | | | | | | | | | | | | | | | | | | | | | | | | | | | | | | | | | | | | | | | | | | | | | | | | | | | | | | | | | | | | | | | | | | | | | | | | | | | | | | | | | | | | | | | | | | | | | | | | | | | | | | | | | | | | | | | | | | | | | | | | | | | | | | | | | | | | | | | | | | | | | | | | | | | | | | | | | | | | | | | | | | | | | | | | | | | | | | | | | | | | | | | | | | | | | | | | | | | | | | | | | | | | | | | | | | | | | | | | | | | | | | | | | | | | | | | | | | | | | | | | | | | | | | | | | | | | | | | | | | | | | | | | | | | | | | | | | | | | | | | | | | | | | | | | | | | | | | | | | | | | | | | | | | | | | | | | | | | | | | | | | | | | | | | | | | | | | | | | | | | | | | | | | | | | | | | | | | | | | | | | | | | | | | | | | | | | | | | | | | | | | | | | | | | | | | | | | | | | | | | | | | | | | | | | | | | | | | | | | | | | | | | | | | | | | | | | | | | | | | | | | | | | | | | | | | | | | | | | | | | | | | | | | | | | | | | | | | | | | | | | | | | | | | | | | | | | | | | | | | | | | | | | | | | | | | | | | | | | | | | | | | | | | | | | | | | | | | | | | | | | | | | | | | | | | | | | | | | | | | | | | | | | | | | | | | | | | | | | | | | | | | | | | | | | | | | | | | | | | | | | | | | | | | | | | | | | | | | | | | | | | | | | | | | | | | | | | | | | | | | | | | | | | | | | | | | | | | | | |
| | | | | | | 52 | 51 | 50 | 49 | 48 | 47 | | 45 | 44 | | | 41 | | | | 37 | | | | | | | | | | | | 34 | | | | | | | | | | | | | | | | | | | | | | | | | | | | | | | | | | | | | | | | | | | | | | | | | | | | | | | | | | | | | | | | | | | | | | | | | | | | | | | | | | | | | | | | | | | | | | | | | | | | | | | | | | | | | | | | | | | | | | | | | | | | | | | | | | | | | | | | | | | | | | | | | | | | | | | | | | | | | | | | | | | | | | | | | | | | | | | | | | | | | | | | | | | | | | | | | | | | | | | | | | | | | | | | | | | | | | | | | | | | | | | | | | | | | | | | | | | | | | | | | | | | | | | | | | | | | | | | | | | | | | | | | | | | | | | | | | | | | | | | | | | | | | | | | | | | | | | | | | | | | | | | | | | | | | | | | | | | | | | | | | | | | | | | | | | | | | | | | | | | | | | | | | | | | | | | | | | | | | | | | | | | | | | | | | | | | | | | | | | | | | | | | | | | | | | | | | | | | | | | | | | | | | | | | | | | | | | | | | | | | | | | | | | | | | | | | | | | | | | | | | | | | | | | | | | | | | | | | | | | | | | | | | | | | | | | | | | | | | | | | | | | | | | | | | | | | | | | | | | | | | | | | | | | | | | | | | | | | | | | | | | | | | | | | | | | | | | | | | | | | | | | | | | | | | | | | | | | | | | | | | | | | | | | | | | | | | | | | | | | | | | | | | | | | | | | | | | | | | | | | | | | | | | | | | | | | | | | | | | | | | | | | | | | | | | | | | | | | | | | | | | | | | | | | | | | | | | | | | | | | | | | | | | | | | | | | | | | | | | | | | | | | | | | | | | | | | | | | | | | | | | | | | | | | | | | | | | | | | | | | | | | | | | | | | | | | | | | | | | | | | | | | | | | | | | | | | | | | | | | | | | | | | | | | | | | | | | | | | | | | | | | | | | | | | | | | | | | | | | | | | | | | | | | | | | | | | | | | | | | | | | | | | | | | | | | | | | | | | | | | | | | | | | | | | | | | | | | | | | | | | | | | | | | | | | | | | | | | | | | | | | | | | | | | | | | | | | | | | | | | | | | | | | | | | | | | | | | | | | | | | | | | | | | | | | | | | | | | | | | | | | | | | | | | | | | | | | | | | | | | | | | | | | | | | | | | | | | | | | | | | | | | | | | | | | | | | | | | | | | | | | | | | | | | | | | | | | | | | | | | | | | | | | | | | | | | | | | | | | | | | | | | | | | | | | | | | | | | | | | | | | | | | | | | | | | | | | | | | | | | | | | | | | | | | | | | | | | | | | | | | | | | | | | | | | | | | | | | | | | | | | | | | | | | | | | | | | | | | | | | | | | | | | | | | | | | | | | | | | | | | | | | | | | | | | | | | | | | | | | | | | | | | | | | | | | | | | | | | | | | | | | | | | | | | | | | | | | | | | | | | | | | | | | | | | | | | | | | | | | | | | | | | | | | | | | | | | | | | | | | | | | | | | | | | | | | | | | | | | | | | | | | | | | | | | | | | | | | | | | | | | | | | | | | | | | | | | | | | | | |
| | | | | | | 73 | | | | 32 | | | | 28 | 27 | | 25 | | | | | | | | | | | | | | | | | 18 | | | | | | | | | | | | | | | | | | | | | | | | | | | | | | | | | | | | | | | | | | | | | | | | | | | | | | | | | | | | | | | | | | | | | | | | | | | | | | | | | | | | | | | | | | | | | | | | | | | | | | | | | | | | | | | | | | | | | | | | | | | | | | | | | | | | | | | | | | | | | | | | | | | | | | | | | | | | | | | | | | | | | | | | | | | | | | | | | | | | | | | | | | | | | | | | | | | | | | | | | | | | | | | | | | | | | | | | | | | | | | | | | | | | | | | | | | | | | | | | | | | | | | | | | | | | | | | | | | | | | | | | | | | | | | | | | | | | | | | | | | | | | | | | | | | | | | | | | | | | | | | | | | | | | | | | | | | | | | | | | | | | | | | | | | | | | | | | | | | | | | | | | | | | | | | | | | | | | | | | | | | | | | | | | | | | | | | | | | | | | | | | | | | | | | | | | | | | | | | | | | | | | | | | | | | | | | | | | | | | | | | | | | | | | | | | | | | | | | | | | | | | | | | | | | | | | | | | | | | | | | | | | | | | | | | | | | | | | | | | | | | | | | | | | | | | | | | | | | | | | | | | | | | | | | | | | | | | | | | | | | | | | | | | | | | | | | | | | | | | | | | | | | | | | | | | | | | | | | | | | | | | | | | | | | | | | | | | | | | | | | | | | | | | | | | | | | | | | | | | | | | | | | | | | | | | | | | | | | | | | | | | | | | | | | | | | | | | | | | | | | | | | | | | | | | | | | | | | | | | | | | | | | | | | | | | | | | | | | | | | | | | | | | | | | | | | | | | | | | | | | | | | | | | | | | | | | | | | | | | | | | | | | | | | | | | | | | | | | | | | | | | | | | | | | | | | | | | | | | | | | | | | | | | | | | | | | | | | | | | | | | | | | | | | | | | | | | | | | | | | | | | | | | | | | | | | | | | | | | | | | | | | | | | | | | | | | | | | | | | | | | | | | | | | | | | | | | | | | | | | | | | | | | | | | | | | | | | | | | | | | | | | | | | | | | | | | | | | | | | | | | | | | | | | | | | | | | | | | | | | | | | | | | | | | | | | | | | | | | | | | | | | | | | | | | | | | | | | | | | | | | | | | | | | | | | | | | | | | | | | | | | | | | | | | | | | | | | | | | | | | | | | | | | | | | | | | | | | | | | | | | | | | | | | | | | | | | | | | | | | | | | | | | | | | | | | | | | | | | | | | | | | | | | | | | | | | | | | | | | | | | | | | | | | | | | | | | | | | | | | | | | | | | | | | | | | | | | | | | | | | | | | | | | | | | | | | | | | | | | | | | | | | | | | | | | | | | | | | | | | | | | | | | | | | | | | | | | | | | | | | | | | | | | | | | | | | | | | | | | | | | | | | | | | | | | | | | | | | | | | | | | | | | | | | | | | | | | | | | | | | | | | | | | | | | | | | | | | | | | | | | | | | | | | | | | | | | | | | | | | | | | | | | | | | | | | | | | | | | | | | | | | | | | | | | | | | | | | | | |
| SALEABLE | NOT APPLICABLE | 34822-0303 | 0 | A | BLACK | | | | | | | | | | | | | | | | | | | | | | | | | 66 | 65 | | | | | | | | | | | | | | | | | | | | | | | | | | | | 63 | 62 | 61 | 60 | 59 | | | | | | | 54 | 53 | | | | 49 | | | | | | | | | | | SALEABLE | NOT APPLICABLE | 34822-0313 | 0 | A | BLACK | | | | | | | | | | | | | | | | | | | | | | | | | 66 | 65 | | | | | 31 | | | 28 | | | | | 24 | 23 | 22 | 21 | 20 | 19 | 18 | 17 | | | | | | | | | | | 16 | 15 | 14 | 13 | | | | | | | 8 | 7 | | | | | | | | | | | | | SALEABLE | NOT APPLICABLE | 34566-8993 | 0 | B | ST GRN | | | | | | | 66 | | | | 62 | | | 58 | | | | | | | | | | | | | | | | | | | | | | | | 41 | | | 38 | 37 | | | | | | | | | | | | 73 | | | | | | | | | | | | | | | | | | | | | | | | | | | | 19 | | | | | | | | | | | | | | | | | | | | | | | | | | | | | 1 | | | | | | | | | | | | | | | | | | | | | | | | | | | | | | | | | | | | | | | | | | | | | | | | | | | | | | | | | | | | | | | | | | | | | | | | | | | | | | | | | | | | | | | | | | | | | | | | | | | | | | | | | | | | | | | | | | | | | | | | | | | | | | | | | | | | | | | | | | | | | | | | | | | | | | | | | | | | | | | | | | | | | | | | | | | | | | | | | | | | | | | | | | | | | | | | | | | | | | | | | | | | | | | | | | | | | | | | | | | | | | | | | | | | | | | | | | | | | | | | | | | | | | | | | | | | | | | | | | | | | | | | | | | | | | | | | | | | | | | | | | | | | | | | | | | | | | | | | | | | | | | | | | | | | | | | | | | | | | | | | | | | | | | | | | | | | | | | | | | | | | | | | | | | | | | | | | | | | | | | | | | | | | | | | | | | | | | | | | | | | | | | | | | | | | | | | | | | | | | | | | | | | | | | | | | | | | | | | | | | | | | | | | | | | | | | | | | | | | | | | | | | | | | | | | | | | | | | | | | | | | | | | | | | | | | | | | | | | | | | | | | | | | | | | | | | | | | | | | | | | | | | | | | | | | | | | | | | | | | | | | | | | | | | | | | | | | | | | | | | | | | | | | | | | | | | | | | | | | | | | | | | | | | | | | | | | | | | | | | | | | | | | | | | | | | | | | | | | | | | | | | | | | | | | | | | | | | | | | | | | | | | | | | | | | | | | | | | | | | | | | | | | | | | | | | | | | | | | | | | | | | | | | | | | | | | | | | | | | | | | | | | | | | | | | | | | | | | | | | | | | | | | | | | | | | | | | | | | | | | | | | | | | | | | | | | | | | | | | | | | | | | | | | | | | | | | | | | | | | | | | | | | | | | | | | | | | | | | | | | | | | | | | | | | | | | | | | | | | | | | | | | | | | | | | | | | | | | | | | | | | | | | | | | | | | | | | | | | | | | | | | | | | | | | | | | | | | | | | | | | | | | | | | | | | | | | | | | | | | | | | | | | | | | | | | | | | | | | | | | | | | | | | | | | | | | | | | | | | | | | | | | | | | | | | | | | | | | | | | | | | | | | | | | | | | | | | | | | | | | | | | | | | | | | | | | | | | | | | | | | | | | | | | | | | | | | | | | | | | | | | | | | | | | | | | | | | | | | | | | | | | | | | | | | | | | | | | | | | | | | | | | | | | | | | | | | | | | | | | | | | | | | |
| | | | | | | 65 | | | | | | | | | | | | | | | | | | | | | | | | | | | | | | | | | | | | | | | | | | | | | | | | | | | | | | | | | | | | | | | | | | | | | | | | | | | | | | | | | | | | | | | | | | | | | | | | | | | | | | | | | | | | | | | | | | | | | | | | | | | | | | | | | | | | | | | | | | | | | | | | | | | | | | | | | | | | | | | | | | | | | | | | | | | | | | | | | | | | | | | | | | | | | | | | | | | | | | | | | | | | | | | | | | | | | | | | | | | | | | | | | | | | | | | | | | | | | | | | | | | | | | | | | | | | | | | | | | | | | | | | | | | | | | | | | | | | | | | | | | | | | | | | | | | | | | | | | | | | | | | | | | | | | | | | | | | | | | | | | | | | | | | | | | | | | | | | | | | | | | | | | | | | | | | | | | | | | | | | | | | | | | | | | | | | | | | | | | | | | | | | | | | | | | | | | | | | | | | | | | | | | | | | | | | | | | | | | | | | | | | | | | | | | | | | | | | | | | | | | | | | | | | | | | | | | | | | | | | | | | | | | | | | | | | | | | | | | | | | | | | | | | | | | | | | | | | | | | | | | | | | | | | | | | | | | | | | | | | | | | | | | | | | | | | | | | | | | | | | | | | | | | | | | | | | | | | | | | | | | | | | | | | | | | | | | | | | | | | | | | | | | | | | | | | | | | | | | | | | | | | | | | | | | | | | | | | | | | | | | | | | | | | | | | | | | | | | | | | | | | | | | | | | | | | | | | | | | | | | | | | | | | | | | | | | | | | | | | | | | | | | | | | | | | | | | | | | | | | | | | | | | | | | | | | | | | | | | | | | | | | | | | | | | | | | | | | | | | | | | | | | | | | | | | | | | | | | | | | | | | | | | | | | | | | | | | | | | | | | | | | | | | | | | | | | | | | | | | | | | | | | | | | | | | | | | | | | | | | | | | | | | | | | | | | | | | | | | | | | | | | | | | | | | | | | | | | | | | | | | | | | | | | | | | | | | | | | | | | | | | | | | | | | | | | | | | | | | | | | | | | | | | | | | | | | | | | | | | | | | | | | | | | | | | | | | | | | | | | | | | | | | | | | | | | | | | | | | | | | | | | | | | | | | | | | | | | | | | | | | | | | | | | | | | | | | | | | | | | | | | | | | | | | | | | | | | | | | | | | | | | | | | | | | | | | | | | | | | | | | | | | | | | | | | | | | | | | | | | | | | | | | | | | | | | | | | | | | | | | | | | | | | | | | | | | | | | | | | | | | | | | | | | | | | | | | | | | | | | | | | | | | | | | | | | | | | | | | | | | | | | | | | | | | | | | | | | | | | | | | | | | | | | | | | | | | | | | | | | | | | | | | | | | | | | | | | | | | | | | | | | | | | | | | | | | | | | | | | | | | | | | | | | | | | | | | | | | | | | | | | | | | | | | | | | | | | | | | | | | | | | | | | | | | | | | | | | | | | | | | | | | | | | | | | | | | | | | | | | | | | | | | | | | | | | | | | | | | | | | | | | | | | | | | | | | | | | | | | | | | | | | | | | |
| | | | | | | | 63 | 62 | 61 | 60 | 59 | | | | | | | 54 | 53 | | | | 49 | | | | | | | | | | | | | | | | | | | | | | | | | | | | | | | | | | | | | | | | | | | | | | | | | | | | | | | | | | | | | | | | | | | | | | | | | | | | | | | | | | | | | | | | | | | | | | | | | | | | | | | | | | | | | | | | | | | | | | | | | | | | | | | | | | | | | | | | | | | | | | | | | | | | | | | | | | | | | | | | | | | | | | | | | | | | | | | | | | | | | | | | | | | | | | | | | | | | | | | | | | | | | | | | | | | | | | | | | | | | | | | | | | | | | | | | | | | | | | | | | | | | | | | | | | | | | | | | | | | | | | | | | | | | | | | | | | | | | | | | | | | | | | | | | | | | | | | | | | | | | | | | | | | | | | | | | | | | | | | | | | | | | | | | | | | | | | | | | | | | | | | | | | | | | | | | | | | | | | | | | | | | | | | | | | | | | | | | | | | | | | | | | | | | | | | | | | | | | | | | | | | | | | | | | | | | | | | | | | | | | | | | | | | | | | | | | | | | | | | | | | | | | | | | | | | | | | | | | | | | | | | | | | | | | | | | | | | | | | | | | | | | | | | | | | | | | | | | | | | | | | | | | | | | | | | | | | | | | | | | | | | | | | | | | | | | | | | | | | | | | | | | | | | | | | | | | | | | | | | | | | | | | | | | | | | | | | | | | | | | | | | | | | | | | | | | | | | | | | | | | | | | | | | | | | | | | | | | | | | | | | | | | | | | | | | | | | | | | | | | | | | | | | | | | | | | | | | | | | | | | | | | | | | | | | | | | | | | | | | | | | | | | | | | | | | | | | | | | | | | | | | | | | | | | | | | | | | | | | | | | | | | | | | | | | | | | | | | | | | | | | | | | | | | | | | | | | | | | | | | | | | | | | | | | | | | | | | | | | | | | | | | | | | | | | | | | | | | | | | | | | | | | | | | | | | | | | | | | | | | | | | | | | | | | | | | | | | | | | | | | | | | | | | | | | | | | | | | | | | | | | | | | | | | | | | | | | | | | | | | | | | | | | | | | | | | | | | | | | | | | | | | | | | | | | | | | | | | | | | | | | | | | | | | | | | | | | | | | | | | | | | | | | | | | | | | | | | | | | | | | | | | | | | | | | | | | | | | | | | | | | | | | | | | | | | | | | | | | | | | | | | | | | | | | | | | | | | | | | | | | | | | | | | | | | | | | | | | | | | | | | | | | | | | | | | | | | | | | | | | | | | | | | | | | | | | | | | | | | | | | | | | | | | | | | | | | | | | | | | | | | | | | | | | | | | | | | | | | | | | | | | | | | | | | | | | | | | | | | | | | | | | | | | | | | | | | | | | | | | | | | | | | | | | | | | | | | | | | | | | | | | | | | | | | | | | | | | | | | | | | | | | | | | | | | | | | | | | | | | | | | | | | | | | | | | | | | | | | | | | | | | | | | | | | | | | | | | | | | | | | | | | | | | | | | | | | | | | | | | | | | | | | | | | | | | | | | | | | | | | | | | | | | | | | | | | | | | | | | | | | | | | | | | | | | |
| SALEABLE | NOT APPLICABLE | 34822-0313 | 0 | A | BLACK | | | | | | | | | | | | | | | | | | | | | | | | | 66 | 65 | | | | | 31 | | | 28 | | | | | 24 | 23 | 22 | 21 | 20 | 19 | 18 | 17 | | | | | | | | | | | 16 | 15 | 14 | 13 | | | | | | | 8 | 7 | | | | | | | | | | | | | SALEABLE | NOT APPLICABLE | 34566-8993 | 0 | B | ST GRN | | | | | | | 66 | | | | 62 | | | 58 | | | | | | | | | | | | | | | | | | | | | | | | 41 | | | 38 | 37 | | | | | | | | | | | | 73 | | | | | | | | | | | | | | | | | | | | | | | | | | | | 19 | | | | | | | | | | | | | | | | | | | | | | | | | | | | | 1 | | | | | | | | | | | | | | | | | | | | | | | | | | | | | | | | | | | | | | | | | | | | | | | | | | | | | | | | | | | | | | | | | | | | | | | | | | | | | | | | | | | | | | | | | | | | | | | | | | | | | | | | | | | | | | | | | | | | | | | | | | | | | | | | | | | | | | | | | | | | | | | | | | | | | | | | | | | | | | | | | | | | | | | | | | | | | | | | | | | | | | | | | | | | | | | | | | | | | | | | | | | | | | | | | | | | | | | | | | | | | | | | | | | | | | | | | | | | | | | | | | | | | | | | | | | | | | | | | | | | | | | | | | | | | | | | | | | | | | | | | | | | | | | | | | | | | | | | | | | | | | | | | | | | | | | | | | | | | | | | | | | | | | | | | | | | | | | | | | | | | | | | | | | | | | | | | | | | | | | | | | | | | | | | | | | | | | | | | | | | | | | | | | | | | | | | | | | | | | | | | | | | | | | | | | | | | | | | | | | | | | | | | | | | | | | | | | | | | | | | | | | | | | | | | | | | | | | | | | | | | | | | | | | | | | | | | | | | | | | | | | | | | | | | | | | | | | | | | | | | | | | | | | | | | | | | | | | | | | | | | | | | | | | | | | | | | | | | | | | | | | | | | | | | | | | | | | | | | | | | | | | | | | | | | | | | | | | | | | | | | | | | | | | | | | | | | | | | | | | | | | | | | | | | | | | | | | | | | | | | | | | | | | | | | | | | | | | | | | | | | | | | | | | | | | | | | | | | | | | | | | | | | | | | | | | | | | | | | | | | | | | | | | | | | | | | | | | | | | | | | | | | | | | | | | | | | | | | | | | | | | | | | | | | | | | | | | | | | | | | | | | | | | | | | | | | | | | | | | | | | | | | | | | | | | | | | | | | | | | | | | | | | | | | | | | | | | | | | | | | | | | | | | | | | | | | | | | | | | | | | | | | | | | | | | | | | | | | | | | | | | | | | | | | | | | | | | | | | | | | | | | | | | | | | | | | | | | | | | | | | | | | | | | | | | | | | | | | | | | | | | | | | | | | | | | | | | | | | | | | | | | | | | | | | | | | | | | | | | | | | | | | | | | | | | | | | | | | | | | | | | | | | | | | | | | | | | | | | | | | | | | | | | | | | | | | | | | | | | | | | | | | | | | | | | | | | | | | | | | | | | | | | | | | | | | | | | | | | | | | | | | | | | | | | | | | | | | | | | | | | | | | | | | | | | | | | | | | | | | | | | | | | | | | | | | | | | | | | | | | | | | | | | | | | | | | | | | | | | | | | | | | | | | | | | | | | | | | | | | | | | | | | | | | | | | |
| | | | | | | 65 | | | | | 31 | | | 28 | | | | | 24 | 23 | 22 | 21 | 20 | 19 | 18 | 17 | | | | | | | | | | | | | | | | | | | | | | | | | | | | | | | | | | | | | | | | | | | | | | | | | | | | | | | | | | | | | | | | | | | | | | | | | | | | | | | | | | | | | | | | | | | | | | | | | | | | | | | | | | | | | | | | | | | | | | | | | | | | | | | | | | | | | | | | | | | | | | | | | | | | | | | | | | | | | | | | | | | | | | | | | | | | | | | | | | | | | | | | | | | | | | | | | | | | | | | | | | | | | | | | | | | | | | | | | | | | | | | | | | | | | | | | | | | | | | | | | | | | | | | | | | | | | | | | | | | | | | | | | | | | | | | | | | | | | | | | | | | | | | | | | | | | | | | | | | | | | | | | | | | | | | | | | | | | | | | | | | | | | | | | | | | | | | | | | | | | | | | | | | | | | | | | | | | | | | | | | | | | | | | | | | | | | | | | | | | | | | | | | | | | | | | | | | | | | | | | | | | | | | | | | | | | | | | | | | | | | | | | | | | | | | | | | | | | | | | | | | | | | | | | | | | | | | | | | | | | | | | | | | | | | | | | | | | | | | | | | | | | | | | | | | | | | | | | | | | | | | | | | | | | | | | | | | | | | | | | | | | | | | | | | | | | | | | | | | | | | | | | | | | | | | | | | | | | | | | | | | | | | | | | | | | | | | | | | | | | | | | | | | | | | | | | | | | | | | | | | | | | | | | | | | | | | | | | | | | | | | | | | | | | | | | | | | | | | | | | | | | | | | | | | | | | | | | | | | | | | | | | | | | | | | | | | | | | | | | | | | | | | | | | | | | | | | | | | | | | | | | | | | | | | | | | | | | | | | | | | | | | | | | | | | | | | | | | | | | | | | | | | | | | | | | | | | | | | | | | | | | | | | | | | | | | | | | | | | | | | | | | | | | | | | | | | | | | | | | | | | | | | | | | | | | | | | | | | | | | | | | | | | | | | | | | | | | | | | | | | | | | | | | | | | | | | | | | | | | | | | | | | | | | | | | | | | | | | | | | | | | | | | | | | | | | | | | | | | | | | | | | | | | | | | | | | | | | | | | | | | | | | | | | | | | | | | | | | | | | | | | | | | | | | | | | | | | | | | | | | | | | | | | | | | | | | | | | | | | | | | | | | | | | | | | | | | | | | | | | | | | | | | | | | | | | | | | | | | | | | | | | | | | | | | | | | | | | | | | | | | | | | | | | | | | | | | | | | | | | | | | | | | | | | | | | | | | | | | | | | | | | | | | | | | | | | | | | | | | | | | | | | | | | | | | | | | | | | | | | | | | | | | | | | | | | | | | | | | | | | | | | | | | | | | | | | | | | | | | | | | | | | | | | | | | | | | | | | | | | | | | | | | | | | | | | | | | | | | | | | | | | | | | | | | | | | | | | | | | | | | | | | | | | | | | | | | | | | | | | | | | | | | | | | | | | | | | | | | | | | | | | | | | | | | | | | | | | | | | | | | | | | | | | | | | | | | | | | | | | | | | | | | | | | | | | | | | | | | | | | | | | | | | |
| | | | | | | | | | | 16 | 15 | 14 | 13 | | | | | | | 8 | 7 | | | | | | | | | | | | | | | | | | | | | | | | | | | | | | | | | | | | | | | | | | | | | | | | | | | | | | | | | | | | | | | | | | | | | | | | | | | | | | | | | | | | | | | | | | | | | | | | | | | | | | | | | | | | | | | | | | | | | | | | | | | | | | | | | | | | | | | | | | | | | | | | | | | | | | | | | | | | | | | | | | | | | | | | | | | | | | | | | | | | | | | | | | | | | | | | | | | | | | | | | | | | | | | | | | | | | | | | | | | | | | | | | | | | | | | | | | | | | | | | | | | | | | | | | | | | | | | | | | | | | | | | | | | | | | | | | | | | | | | | | | | | | | | | | | | | | | | | | | | | | | | | | | | | | | | | | | | | | | | | | | | | | | | | | | | | | | | | | | | | | | | | | | | | | | | | | | | | | | | | | | | | | | | | | | | | | | | | | | | | | | | | | | | | | | | | | | | | | | | | | | | | | | | | | | | | | | | | | | | | | | | | | | | | | | | | | | | | | | | | | | | | | | | | | | | | | | | | | | | | | | | | | | | | | | | | | | | | | | | | | | | | | | | | | | | | | | | | | | | | | | | | | | | | | | | | | | | | | | | | | | | | | | | | | | | | | | | | | | | | | | | | | | | | | | | | | | | | | | | | | | | | | | | | | | | | | | | | | | | | | | | | | | | | | | | | | | | | | | | | | | | | | | | | | | | | | | | | | | | | | | | | | | | | | | | | | | | | | | | | | | | | | | | | | | | | | | | | | | | | | | | | | | | | | | | | | | | | | | | | | | | | | | | | | | | | | | | | | | | | | | | | | | | | | | | | | | | | | | | | | | | | | | | | | | | | | | | | | | | | | | | | | | | | | | | | | | | | | | | | | | | | | | | | | | | | | | | | | | | | | | | | | | | | | | | | | | | | | | | | | | | | | | | | | | | | | | | | | | | | | | | | | | | | | | | | | | | | | | | | | | | | | | | | | | | | | | | | | | | | | | | | | | | | | | | | | | | | | | | | | | | | | | | | | | | | | | | | | | | | | | | | | | | | | | | | | | | | | | | | | | | | | | | | | | | | | | | | | | | | | | | | | | | | | | | | | | | | | | | | | | | | | | | | | | | | | | | | | | | | | | | | | | | | | | | | | | | | | | | | | | | | | | | | | | | | | | | | | | | | | | | | | | | | | | | | | | | | | | | | | | | | | | | | | | | | | | | | | | | | | | | | | | | | | | | | | | | | | | | | | | | | | | | | | | | | | | | | | | | | | | | | | | | | | | | | | | | | | | | | | | | | | | | | | | | | | | | | | | | | | | | | | | | | | | | | | | | | | | | | | | | | | | | | | | | | | | | | | | | | | | | | | | | | | | | | | | | | | | | | | | | | | | | | | | | | | | | | | | | | | | | | | | | | | | | | | | | | | | | | | | | | | | | | | | | | | | | | | | | | | | | | | | | | | | | | | | | | | | | | | | | | | | | | | | | | | | | | | | | | | | | | | | | | | | | | | | | | | | | | | | | | | | | | | | | | |
| SALEABLE | NOT APPLICABLE | 34566-8993 | 0 | B | ST GRN | | | | | | | 66 | | | | 62 | | | 58 | | | | | | | | | | | | | | | | | | | | | | | | 41 | | | 38 | 37 | | | | | | | | | | | | 73 | | | | | | | | | | | | | | | | | | | | | | | | | | | | 19 | | | | | | | | | | | | | | | | | | | | | | | | | | | | | 1 | | | | | | | | | | | | | | | | | | | | | | | | | | | | | | | | | | | | | | | | | | | | | | | | | | | | | | | | | | | | | | | | | | | | | | | | | | | | | | | | | | | | | | | | | | | | | | | | | | | | | | | | | | | | | | | | | | | | | | | | | | | | | | | | | | | | | | | | | | | | | | | | | | | | | | | | | | | | | | | | | | | | | | | | | | | | | | | | | | | | | | | | | | | | | | | | | | | | | | | | | | | | | | | | | | | | | | | | | | | | | | | | | | | | | | | | | | | | | | | | | | | | | | | | | | | | | | | | | | | | | | | | | | | | | | | | | | | | | | | | | | | | | | | | | | | | | | | | | | | | | | | | | | | | | | | | | | | | | | | | | | | | | | | | | | | | | | | | | | | | | | | | | | | | | | | | | | | | | | | | | | | | | | | | | | | | | | | | | | | | | | | | | | | | | | | | | | | | | | | | | | | | | | | | | | | | | | | | | | | | | | | | | | | | | | | | | | | | | | | | | | | | | | | | | | | | | | | | | | | | | | | | | | | | | | | | | | | | | | | | | | | | | | | | | | | | | | | | | | | | | | | | | | | | | | | | | | | | | | | | | | | | | | | | | | | | | | | | | | | | | | | | | | | | | | | | | | | | | | | | | | | | | | | | | | | | | | | | | | | | | | | | | | | | | | | | | | | | | | | | | | | | | | | | | | | | | | | | | | | | | | | | | | | | | | | | | | | | | | | | | | | | | | | | | | | | | | | | | | | | | | | | | | | | | | | | | | | | | | | | | | | | | | | | | | | | | | | | | | | | | | | | | | | | | | | | | | | | | | | | | | | | | | | | | | | | | | | | | | | | | | | | | | | | | | | | | | | | | | | | | | | | | | | | | | | | | | | | | | | | | | | | | | | | | | | | | | | | | | | | | | | | | | | | | | | | | | | | | | | | | | | | | | | | | | | | | | | | | | | | | | | | | | | | | | | | | | | | | | | | | | | | | | | | | | | | | | | | | | | | | | | | | | | | | | | | | | | | | | | | | | | | | | | | | | | | | | | | | | | | | | | | | | | | | | | | | | | | | | | | | | | | | | | | | | | | | | | | | | | | | | | | | | | | | | | | | | | | | | | | | | | | | | | | | | | | | | | | | | | | | | | | | | | | | | | | | | | | | | | | | | | | | | | | | | | | | | | | | | | | | | | | | | | | | | | | | | | | | | | | | | | | | | | | | | | | | | | | | | | | | | | | | | | | | | | | | | | | | | | | | | | | | | | | | | | | | | | | | | | | | | | | | | | | | | | | | | | | | | | | | | | | | | | | | | | | | | | | | | | | | | | | | | | | | | | | | | | | | | | | | | | | | | | | | | | | | | | | | | | | | | | | | | | | | | | | | | | | | | | | | | | | | | | | | | | | | | | | | |
| | | | | | | | | | | | | | | | | | | 41 | | | 38 | 37 | | | | | | | | | | | | | | | | | | | | | | | | | | | | | | | | | | | | | | | | | | | | | | | | | | | | | | | | | | | | | | | | | | | | | | | | | | | | | | | | | | | | | | | | | | | | | | | | | | | | | | | | | | | | | | | | | | | | | | | | | | | | | | | | | | | | | | | | | | | | | | | | | | | | | | | | | | | | | | | | | | | | | | | | | | | | | | | | | | | | | | | | | | | | | | | | | | | | | | | | | | | | | | | | | | | | | | | | | | | | | | | | | | | | | | | | | | | | | | | | | | | | | | | | | | | | | | | | | | | | | | | | | | | | | | | | | | | | | | | | | | | | | | | | | | | | | | | | | | | | | | | | | | | | | | | | | | | | | | | | | | | | | | | | | | | | | | | | | | | | | | | | | | | | | | | | | | | | | | | | | | | | | | | | | | | | | | | | | | | | | | | | | | | | | | | | | | | | | | | | | | | | | | | | | | | | | | | | | | | | | | | | | | | | | | | | | | | | | | | | | | | | | | | | | | | | | | | | | | | | | | | | | | | | | | | | | | | | | | | | | | | | | | | | | | | | | | | | | | | | | | | | | | | | | | | | | | | | | | | | | | | | | | | | | | | | | | | | | | | | | | | | | | | | | | | | | | | | | | | | | | | | | | | | | | | | | | | | | | | | | | | | | | | | | | | | | | | | | | | | | | | | | | | | | | | | | | | | | | | | | | | | | | | | | | | | | | | | | | | | | | | | | | | | | | | | | | | | | | | | | | | | | | | | | | | | | | | | | | | | | | | | | | | | | | | | | | | | | | | | | | | | | | | | | | | | | | | | | | | | | | | | | | | | | | | | | | | | | | | | | | | | | | | | | | | | | | | | | | | | | | | | | | | | | | | | | | | | | | | | | | | | | | | | | | | | | | | | | | | | | | | | | | | | | | | | | | | | | | | | | | | | | | | | | | | | | | | | | | | | | | | | | | | | | | | | | | | | | | | | | | | | | | | | | | | | | | | | | | | | | | | | | | | | | | | | | | | | | | | | | | | | | | | | | | | | | | | | | | | | | | | | | | | | | | | | | | | | | | | | | | | | | | | | | | | | | | | | | | | | | | | | | | | | | | | | | | | | | | | | | | | | | | | | | | | | | | | | | | | | | | | | | | | | | | | | | | | | | | | | | | | | | | | | | | | | | | | | | | | | | | | | | | | | | | | | | | | | | | | | | | | | | | | | | | | | | | | | | | | | | | | | | | | | | | | | | | | | | | | | | | | | | | | | | | | | | | | | | | | | | | | | | | | | | | | | | | | | | | | | | | | | | | | | | | | | | | | | | | | | | | | | | | | | | | | | | | | | | | | | | | | | | | | | | | | | | | | | | | | | | | | | | | | | | | | | | | | | | | | | | | | | | | | | | | | | | | | | | | | | | | | | | | | | | | | | | | | | | | | | | | | | | | | | | | | | | | | | | | | | | | | | | | | | | | | | | | | | | | | | | | | | | | | | | | | | | | | | | | | | | | | | | | | | | | | |
| | | | | | | 73 | | | | | | | | | | | | | | | | | | | | | | | | | | | | 19 | | | | | | | | | | | | | | | | | | | | | | | | | | | | | | | | | | | | | | | | | | | | | | | | | | | | | | | | | | | | | | | | | | | | | | | | | | | | | | | | | | | | | | | | | | | | | | | | | | | | | | | | | | | | | | | | | | | | | | | | | | | | | | | | | | | | | | | | | | | | | | | | | | | | | | | | | | | | | | | | | | | | | | | | | | | | | | | | | | | | | | | | | | | | | | | | | | | | | | | | | | | | | | | | | | | | | | | | | | | | | | | | | | | | | | | | | | | | | | | | | | | | | | | | | | | | | | | | | | | | | | | | | | | | | | | | | | | | | | | | | | | | | | | | | | | | | | | | | | | | | | | | | | | | | | | | | | | | | | | | | | | | | | | | | | | | | | | | | | | | | | | | | | | | | | | | | | | | | | | | | | | | | | | | | | | | | | | | | | | | | | | | | | | | | | | | | | | | | | | | | | | | | | | | | | | | | | | | | | | | | | | | | | | | | | | | | | | | | | | | | | | | | | | | | | | | | | | | | | | | | | | | | | | | | | | | | | | | | | | | | | | | | | | | | | | | | | | | | | | | | | | | | | | | | | | | | | | | | | | | | | | | | | | | | | | | | | | | | | | | | | | | | | | | | | | | | | | | | | | | | | | | | | | | | | | | | | | | | | | | | | | | | | | | | | | | | | | | | | | | | | | | | | | | | | | | | | | | | | | | | | | | | | | | | | | | | | | | | | | | | | | | | | | | | | | | | | | | | | | | | | | | | | | | | | | | | | | | | | | | | | | | | | | | | | | | | | | | | | | | | | | | | | | | | | | | | | | | | | | | | | | | | | | | | | | | | | | | | | | | | | | | | | | | | | | | | | | | | | | | | | | | | | | | | | | | | | | | | | | | | | | | | | | | | | | | | | | | | | | | | | | | | | | | | | | | | | | | | | | | | | | | | | | | | | | | | | | | | | | | | | | | | | | | | | | | | | | | | | | | | | | | | | | | | | | | | | | | | | | | | | | | | | | | | | | | | | | | | | | | | | | | | | | | | | | | | | | | | | | | | | | | | | | | | | | | | | | | | | | | | | | | | | | | | | | | | | | | | | | | | | | | | | | | | | | | | | | | | | | | | | | | | | | | | | | | | | | | | | | | | | | | | | | | | | | | | | | | | | | | | | | | | | | | | | | | | | | | | | | | | | | | | | | | | | | | | | | | | | | | | | | | | | | | | | | | | | | | | | | | | | | | | | | | | | | | | | | | | | | | | | | | | | | | | | | | | | | | | | | | | | | | | | | | | | | | | | | | | | | | | | | | | | | | | | | | | | | | | | | | | | | | | | | | | | | | | | | | | | | | | | | | | | | | | | | | | | | | | | | | | | | | | | | | | | | | | | | | | | | | | | | | | | | | | | | | | | | | | | | | | | | | | | | | | | | | | | | | | | | | | | | | | | | | | | | | | | | | | | | | | | | | | | | | | | | | | | | | | | | | | | | | | | | | | | | | | | | | | | | |
| | | | | | | | | | | | | | | | | | | | | | | | | | | | | 1 | | | | | | | | | | | | | | | | | | | | | | | | | | | | | | | | | | | | | | | | | | | | | | | | | | | | | | | | | | | | | | | | | | | | | | | | | | | | | | | | | | | | | | | | | | | | | | | | | | | | | | | | | | | | | | | | | | | | | | | | | | | | | | | | | | | | | | | | | | | | | | | | | | | | | | | | | | | | | | | | | | | | | | | | | | | | | | | | | | | | | | | | | | | | | | | | | | | | | | | | | | | | | | | | | | | | | | | | | | | | | | | | | | | | | | | | | | | | | | | | | | | | | | | | | | | | | | | | | | | | | | | | | | | | | | | | | | | | | | | | | | | | | | | | | | | | | | | | | | | | | | | | | | | | | | | | | | | | | | | | | | | | | | | | | | | | | | | | | | | | | | | | | | | | | | | | | | | | | | | | | | | | | | | | | | | | | | | | | | | | | | | | | | | | | | | | | | | | | | | | | | | | | | | | | | | | | | | | | | | | | | | | | | | | | | | | | | | | | | | | | | | | | | | | | | | | | | | | | | | | | | | | | | | | | | | | | | | | | | | | | | | | | | | | | | | | | | | | | | | | | | | | | | | | | | | | | | | | | | | | | | | | | | | | | | | | | | | | | | | | | | | | | | | | | | | | | | | | | | | | | | | | | | | | | | | | | | | | | | | | | | | | | | | | | | | | | | | | | | | | | | | | | | | | | | | | | | | | | | | | | | | | | | | | | | | | | | | | | | | | | | | | | | | | | | | | | | | | | | | | | | | | | | | | | | | | | | | | | | | | | | | | | | | | | | | | | | | | | | | | | | | | | | | | | | | | | | | | | | | | | | | | | | | | | | | | | | | | | | | | | | | | | | | | | | | | | | | | | | | | | | | | | | | | | | | | | | | | | | | | | | | | | | | | | | | | | | | | | | | | | | | | | | | | | | | | | | | | | | | | | | | | | | | | | | | | | | | | | | | | | | | | | | | | | | | | | | | | | | | | | | | | | | | | | | | | | | | | | | | | | | | | | | | | | | | | | | | | | | | | | | | | | | | | | | | | | | | | | | | | | | | | | | | | | | | | | | | | | | | | | | | | | | | | | | | | | | | | | | | | | | | | | | | | | | | | | | | | | | | | | | | | | | | | | | | | | | | | | | | | | | | | | | | | | | | | | | | | | | | | | | | | | | | | | | | | | | | | | | | | | | | | | | | | | | | | | | | | | | | | | | | | | | | | | | | | | | | | | | | | | | | | | | | | | | | | | | | | | | | | | | | | | | | | | | | | | | | | | | | | | | | | | | | | | | | | | | | | | | | | | | | | | | | | | | | | | | | | | | | | | | | | | | | | | | | | | | | | | | | | | | | | | | | | | | | | | | | | | | | | | | | | | | | | | | | | | | | | | | | | | | | | | | | | | | | | | | | | | | | | | | | | | | | | | | | | | | | | | | | | | | | | | | | | | | | | | | | | | | | | | | | | | | | | | | | | | | | | | | | | | | | | | | | | | | | | | | | | | | | | | | | | | |

MX123 52/66/73/80-WAY RECEPTACLE ASSY SEALED PIN OUT SHEET

| STATUS | GM PART # | HRNS CONN ASSY | | | TPA | GROMMET CAP | | | | | | | | | | | | | | | | | | | | | | | | | | | | | | | | |
|----------|----------------|----------------|-------------------|-----------------------|-------------------------|--|--|----|----|----|----|----|----|----|----|----|----|----|--|----|----|----|----|----|----|----|----|--|--|--|--|----|----|----|----|----|----|--|
| | | MATERIAL/PART | WIRE DRESS OPTION | KEY OPTION ▽ Fp | COLOR OPTION ▽ Fp | NUMBERS INDICATE CAVITIES OPEN FOR CIRCUITS ▽ Fp | | | | | | | | | | | | | | | | | | | | | | | | | | | | | | | | |
| | | NUMBER | | | | | | | | | | | | | | | | | | | | | | | | | | | | | | | | | | | | |
| SALEABLE | NOT APPLICABLE | 34566-9013 | 0 | A | BLACK | | | | 69 | 68 | | | 65 | 64 | 63 | 62 | 61 | 60 | | | | | | | | | 38 | | | | | | 34 | | | | | |
| | | | | | | | | | 49 | 48 | | | 45 | 44 | 43 | 42 | 41 | 40 | | | | | 25 | 24 | 23 | 22 | | | | | | | 20 | 19 | | | | |
| | | | | | | 73 | | | | | | | | | | | | | | | | 9 | | 6 | 5 | 4 | | | | | | | | | | | | |
| SALEABLE | NOT APPLICABLE | 34566-9023 | 0 | B | ST GRY | | | | | | | | | | | | 62 | | | | 59 | | | | | | | | | | | | | | | | | |
| | | | | | | | | | | | | | | | | 42 | 41 | | | 39 | 38 | | | | | | | | | | | 20 | | 18 | 17 | | | |
| | | | | | | 73 | | | | | | | | 31 | | | | | | | | | 27 | | | 23 | 22 | | | | | | | 20 | | 18 | 17 | |
| SALEABLE | NOT APPLICABLE | 34822-0323 | 9 | A | BLACK | | | | | | | | | | | | | | | | | | | | | | | | | | | | | | | | | |
| | | | | | | | | | | | | | | | | | | | | | | | | | | | | | | | | | | | | | | |
| | | | | | | | | 62 | 61 | 60 | 59 | 58 | 57 | 56 | 55 | | | | | | | 52 | | | | | | | | | | | | | | | | |
| SALEABLE | NOT APPLICABLE | 34566-9033 | 0 | C | BLUE | | | | | | | | | | | | | | | | | | | | | | | | | | | | | | | | | |
| | | | | | | | | | | | | | | | | | | | | | | | | | | | | | | | | | | | | | | |
| | | | | | | | | | | | | | | | | | | | | | | | | | | | | | | | | | | | | | | |
| SALEABLE | NOT APPLICABLE | 34566-9043 | 0 | C | BLUE | | | | | | | | | | | | | | | | | | | | | | | | | | | | | | | | | |
| | | | | | | | | | | | | | | | | | | | | | | | | | | | | | | | | | | | | | | |
| | | | | | | | | 62 | 61 | 60 | 59 | 58 | 57 | 56 | 55 | | | | | | | 52 | | | | | | | | | | | | | | | | |
| SALEABLE | NOT APPLICABLE | 34566-9053 | 0 | C | BLUE | | | | | | | | | | | | | | | | | | | | | | | | | | | | | | | | | |
| | | | | | | | | | | | | | | | | | | | | | | | | | | | | | | | | | | | | | | |
| | | | | | | | | | | | | | | | | | | | | | | | | | | | | | | | | | | | | | | |
| SALEABLE | NOT APPLICABLE | 34566-9063 | 0 | B | ST GRY | | | | | | | | | | | | | | | | | | | | | | | | | | | | | | | | | |
| | | | | | | | | | | | | | | | | | | | | | | | | | | | | | | | | | | | | | | |
| | | | | | | | | | | | | | | | | | | | | | | | | | | | | | | | | | | | | | | |
| SALEABLE | NOT APPLICABLE | 34566-9073 | 0 | B | ST GRY | | | | | | | | | | | | | | | | | | | | | | | | | | | | | | | | | |
| | | | | | | | | | | | | | | | | | | | | | | | | | | | | | | | | | | | | | | |
| | | | | | | | | | | | | | | | | | | | | | | | | | | | | | | | | | | | | | | |
| SALEABLE | NOT APPLICABLE | 34566-9083 | 0 | A | BLACK | | | | | | | | | | | | | | | | | | | | | | | | | | | | | | | | | |
| | | | | | | | | | | | | | | | | | | | | | | | | | | | | | | | | | | | | | | |
| | | | | | | | | | | | | | | | | | | | | | | | | | | | | | | | | | | | | | | |
| SALEABLE | NOT APPLICABLE | 34566-9093 | 0 | A | BLACK | | | | | | | | | | | | | | | | | | | | | | | | | | | | | | | | | |
| | | | | | | | | | | | | | | | | | | | | | | | | | | | | | | | | | | | | | | |
| | | | | | | | | | | | | | | | | | | | | | | | | | | | | | | | | | | | | | | |
| SALEABLE | NOT APPLICABLE | 34566-9113 | 0 | A | BLACK | | | | | | | | | | | | | | | | | | | | | | | | | | | | | | | | | |
| | | | | | | | | | | | | | | | | | | | | | | | | | | | | | | | | | | | | | | |
| | | | | | | | | | | | | | | | | | | | | | | | | | | | | | | | | | | | | | | |
| SALEABLE | NOT APPLICABLE | 34566-9123 | 0 | G | BLUE | | | | | | | | | | | | | | | | | | | | | | | | | | | | | | | | | |
| | | | | | | | | | | | | | | | | | | | | | | | | | | | | | | | | | | | | | | |
| | | | | | | | | 78 | 77 | 76 | 75 | 74 | | | | | | | | | | | | | | | | | | | | | | | | | | |
| SALEABLE | NOT APPLICABLE | 34822-0333 | 0 | A | BLACK | | | | | | | | | | | | | | | | | | | | | | | | | | | | | | | | | |
| | | | | | | | | | | | | | | | | | | | | | | | | | | | | | | | | | | | | | | |
| | | | | | | | | | | | | | | | | | | | | | | | | | | | | | | | | | | | | | | |
| SALEABLE | NOT APPLICABLE | 34822-0343 | 0 | A | BLACK | | | | | | | | | | | | | | | | | | | | | | | | | | | | | | | | | |
| | | | | | | | | | | | | | | | | | | | | | | | | | | | | | | | | | | | | | | |
| | | | | | | | | | | | | | | | | | | | | | | | | | | | | | | | | | | | | | | |
| SALEABLE | NOT APPLICABLE | 34822-0353 | 0 | A | BLACK | | | | | | | | | | | | | | | | | | | | | | | | | | | | | | | | | |
| | | | | | | | | | | | | | | | | | | | | | | | | | | | | | | | | | | | | | | |
| | | | | | | | | | | | | | | | | | | | | | | | | | | | | | | | | | | | | | | |

MX123 52/66/73/80-WAY RECEPTACLE ASSY SEALED PIN OUT SHEET

| STATUS | GM PART # | HRNS CONN ASSY | | | TPA | GROMMET CAP | | | | | | | | | | | | | | | | | | | | | | | |
|----------|----------------|----------------|-------------------|------------------|--------------------|---|----|----|----|----|----|----|----|----|----|----|----|----|----|----|----|----|----|----|----|----|----|----|----|
| | | MATERIAL/PART | WIRE DRESS OPTION | KEY OPTION Fp | COLOR OPTION Fp | NUMBERS INDICATE CAVITIES OPEN FOR CIRCUITS | | | | | | | | | | | | | | | | | | | | | | | |
| | | NUMBER | | | | Fp | | | | | | | | | | | | | | | | | | | | | | | |
| SALEABLE | NOT APPLICABLE | 34566-9143 | 9 | F | NATURAL | 72 | 71 | 70 | | | 67 | 66 | 65 | 64 | 63 | 62 | 61 | 60 | 59 | | | 56 | 55 | 54 | 53 | | | | |
| | | | | | | 52 | 51 | 50 | 49 | 48 | 47 | 46 | 45 | 44 | | | | | | | | | | 36 | 35 | 34 | | | |
| | | | | | | 73 | | | | 32 | 31 | | 29 | 28 | 27 | 26 | 25 | 24 | 23 | 22 | 21 | 20 | | | | | | | |
| SALEABLE | NOT APPLICABLE | 34566-9153 | 9 | B | ST GRY | | | | | | 66 | | | | | | | | | | | | | | | | | | |
| | | | | | | | | | | | | | | | | 41 | | | | | | | 38 | 37 | | | | | |
| | | | | | | 73 | | | | | | | | | | | | | | | | | | 20 | 19 | 18 | 17 | | |
| SALEABLE | NOT APPLICABLE | 34566-9163 | 9 | B | ST GRY | | | | | 68 | 67 | 66 | 65 | | | 62 | | 60 | 59 | | | | | 54 | 53 | | | | |
| | | | | | | | | | | 48 | 47 | 46 | 45 | 44 | | 42 | 41 | 40 | 39 | | | | | | 35 | 34 | | | |
| | | | | | | 73 | | | | | 31 | | | | 27 | | | | | | | | | | | 19 | 18 | 17 | |
| SALEABLE | NOT APPLICABLE | 34566-9173 | 0 | B | ST GRY | | | | | | | | 65 | | | 62 | | | | 58 | | | | | | | | | |
| | | | | | | | | | | | | | | | | 41 | | | | | | | 38 | 37 | | | | | |
| | | | | | | 73 | | | | | | | | | | | | | | | | | | | 5 | | 19 | 18 | 17 |
| SALEABLE | NOT APPLICABLE | 34822-0363 | 9 | C | BLUE | | | | 61 | | | 58 | | | | | | | | | | | | | | | | | |
| | | | | | | | | | | 44 | 43 | | 41 | 40 | | 38 | | | | | | | | | | | | | |
| | | | | | | 65 | | | | | 31 | | | | | | | | | | | | | | | 20 | | | |
| SALEABLE | NOT APPLICABLE | 34822-0373 | 9 | A | BLACK | 64 | 63 | 62 | 61 | 60 | | | | | | 55 | | | 52 | 51 | | | 49 | | | | | | |
| | | | | | | 48 | 47 | 46 | 45 | | | | | | | 38 | | | | | | | | | | | | | |
| | | | | | | 65 | | | | 32 | | 30 | 29 | | 27 | | | | | | | | | | | | 20 | 19 | 18 |
| SALEABLE | NOT APPLICABLE | 34822-0383 | 9 | A | BLACK | 64 | 63 | 62 | 61 | 60 | | | 57 | | | | | 52 | 51 | | | 49 | | | | | | | |
| | | | | | | 48 | 47 | 46 | 45 | | | | | 40 | | | | | | | | | | | | | | | |
| | | | | | | 65 | | | | 32 | | 30 | 29 | | 27 | | | | | | | | | | | | 20 | 19 | 18 |
| SALEABLE | NOT APPLICABLE | 34822-0393 | 0 | A | BLACK | 64 | 63 | 62 | 61 | 60 | | | 57 | | | | | 52 | 51 | | | 49 | | | | | | | |
| | | | | | | 48 | 47 | 46 | 45 | | | | | | | 38 | | | | | | | | | | | | | |
| | | | | | | 65 | | | | 32 | | 30 | 29 | | 27 | | | | | | | | | | | | 20 | 19 | 18 |
| SALEABLE | NOT APPLICABLE | 34822-0403 | 9 | A | BLACK | 64 | 63 | | | | | | | | | 54 | 53 | | 51 | | | 49 | | | | | | | |
| | | | | | | | | | | | | | | | | 38 | 37 | | 35 | | | | | 33 | | | | | |
| | | | | | | 65 | | | | | 31 | | | 28 | | | | | | | | | | | | | 20 | 19 | 18 |
| SALEABLE | NOT APPLICABLE | 34822-0413 | 0 | A | BLACK | | | | | | | | | | | | | | | | | | | | | | | | |
| | | | | | | | | | | | | | | | | | | | | | | | | | | | | | |
| | | | | | | 65 | | | | | 15 | 14 | 13 | 12 | 11 | | | | | | | | | | | | 4 | 3 | 2 |
| SALEABLE | NOT APPLICABLE | 34822-0423 | 9 | A | BLACK | 64 | 63 | | | | | | | | | 54 | 53 | | 51 | | | 49 | | | | | | | |
| | | | | | | | | | | | | | | | | 38 | 37 | | 35 | | | | | 33 | | | | | |
| | | | | | | 65 | | | | | 15 | 14 | 13 | 12 | 11 | | | | | | | | | | | | 4 | 3 | 2 |
| SALEABLE | NOT APPLICABLE | 34566-9183 | 9 | B | ST GRY | 72 | 71 | 70 | 69 | 68 | 67 | | 65 | 64 | 63 | 62 | 61 | 60 | 59 | | | 57 | 56 | 55 | 54 | 53 | | | |
| | | | | | | 52 | 51 | 50 | 49 | 48 | 47 | 46 | 45 | 44 | 43 | 42 | | 40 | 39 | | | | | | 36 | 35 | 34 | 33 | |
| | | | | | | 73 | | | | 32 | 31 | 30 | 29 | 28 | 27 | 26 | 25 | 24 | 23 | 22 | 21 | | | | | | | 4 | 3 |
| SALEABLE | NOT APPLICABLE | 34566-9193 | 9 | F | NATURAL | | | | 69 | 68 | | | | | | | | | | | | 58 | 57 | | | | | | |
| | | | | | | | | | | | | | | | | | | | | | | | | | | | | | |
| | | | | | | 73 | | | | | | 30 | | | | | | | | | | | | | | | 19 | 18 | 17 |
| SALEABLE | NOT APPLICABLE | 34822-0433 | 0 | A | BLACK | 64 | 63 | 62 | | 60 | 59 | | 57 | 56 | 55 | 54 | 53 | 52 | 51 | 50 | 49 | | | | | | | | |
| | | | | | | 48 | 47 | 46 | 45 | | | | 42 | | | 39 | | 37 | 36 | 35 | 34 | 33 | | | | | | | |
| | | | | | | 65 | | | | 32 | | 30 | 29 | 28 | 27 | 26 | 25 | 24 | 23 | 22 | 21 | | | | | | 20 | 19 | 18 |
| SALEABLE | NOT APPLICABLE | 34822-0443 | 0 | A | BLACK | 64 | 63 | 62 | | 60 | 59 | | 57 | 56 | 55 | 54 | 53 | 52 | 51 | 50 | 49 | | | | | | | | |
| | | | | | | 48 | 47 | 46 | 45 | | | | 42 | | | 39 | | 37 | 36 | 35 | 34 | 33 | | | | | | | |
| | | | | | | 65 | | | | 32 | 31 | 30 | 29 | 28 | 27 | 26 | 25 | 24 | 23 | 22 | 21 | | | | | | 20 | 19 | 18 |

MX123 52/66/73/80-WAY RECEPTACLE ASSY SEALED PIN OUT SHEET

| STATUS | GM PART # | HRNS CONN ASSY | | | TPA | GROMMET CAP | | | | | | | | | | | | | | | | | | | | | | | |
|----------|----------------|----------------|-------------------|------------------|---------|--------------------|---|--|--|----|----|----|----|----|----|----|----|--|--|----|--|----|--|--|--|--|--|--|--|
| | | MATERIAL/PART | WIRE DRESS OPTION | KEY OPTION Fp | | COLOR OPTION Fp | NUMBERS INDICATE CAVITIES OPEN FOR CIRCUITS | | | | | | | | | | | | | | | | | | | | | | |
| | | NUMBER | | | | | Fp | | | | | | | | | | | | | | | | | | | | | | |
| SALEABLE | NOT APPLICABLE | 34822-0453 | 0 | A | BLACK | | | | | | 59 | 58 | 57 | 56 | | 54 | 53 | | | 50 | | 66 | | | | | | | |
| | | | | | | | | | | 44 | 43 | 42 | 41 | 40 | 39 | | | | | | | | | | | | | | |
| | | | | | | 65 | | | | | | | | | | | | | | | | | | | | | | | |
| SALEABLE | NOT APPLICABLE | 34566-9213 | 0 | B | ST GRAY | | | | | | | | | | | | | | | | | | | | | | | | |
| | | | | | | | | | | | | | | | | | | | | | | | | | | | | | |
| | | | | | | 73 | | | | | | | | | | | | | | | | | | | | | | | |
| SALEABLE | NOT APPLICABLE | 34566-9223 | 9 | B | ST GRAY | | | | | | | | | | | | | | | | | | | | | | | | |
| | | | | | | | | | | | | | | | | | | | | | | | | | | | | | |
| | | | | | | 73 | | | | | | | | | | | | | | | | | | | | | | | |
| SALEABLE | NOT APPLICABLE | 34566-9233 | 9 | C | BLUE | | | | | | | | | | | | | | | | | | | | | | | | |
| | | | | | | | | | | | | | | | | | | | | | | | | | | | | | |
| | | | | | | 73 | | | | | | | | | | | | | | | | | | | | | | | |
| SALEABLE | NOT APPLICABLE | 34566-9243 | 9 | B | ST GRAY | | | | | | | | | | | | | | | | | | | | | | | | |
| | | | | | | | | | | | | | | | | | | | | | | | | | | | | | |
| | | | | | | 73 | | | | | | | | | | | | | | | | | | | | | | | |
| SALEABLE | NOT APPLICABLE | 34566-9253 | 9 | B | ST GRAY | | | | | | | | | | | | | | | | | | | | | | | | |
| | | | | | | | | | | | | | | | | | | | | | | | | | | | | | |
| | | | | | | 73 | | | | | | | | | | | | | | | | | | | | | | | |
| SALEABLE | NOT APPLICABLE | 34566-9263 | 9 | B | ST GRAY | | | | | | | | | | | | | | | | | | | | | | | | |
| | | | | | | | | | | | | | | | | | | | | | | | | | | | | | |
| | | | | | | 73 | | | | | | | | | | | | | | | | | | | | | | | |
| SALEABLE | NOT APPLICABLE | 34822-0463 | 0 | A | BLACK | | | | | | | | | | | | | | | | | | | | | | | | |
| | | | | | | | | | | | | | | | | | | | | | | | | | | | | | |
| | | | | | | 65 | | | | | | | | | | | | | | | | | | | | | | | |
| SALEABLE | NOT APPLICABLE | 34822-0473 | 9 | C | BLUE | | | | | | | | | | | | | | | | | | | | | | | | |
| | | | | | | | | | | | | | | | | | | | | | | | | | | | | | |
| | | | | | | 65 | | | | | | | | | | | | | | | | | | | | | | | |
| SALEABLE | NOT APPLICABLE | 34822-0483 | 9 | A | BLACK | | | | | | | | | | | | | | | | | | | | | | | | |
| | | | | | | | | | | | | | | | | | | | | | | | | | | | | | |
| | | | | | | 65 | | | | | | | | | | | | | | | | | | | | | | | |
| SALEABLE | NOT APPLICABLE | 34566-9273 | 9 | B | ST GRAY | | | | | | | | | | | | | | | | | | | | | | | | |
| | | | | | | | | | | | | | | | | | | | | | | | | | | | | | |
| | | | | | | 73 | | | | | | | | | | | | | | | | | | | | | | | |
| SALEABLE | NOT APPLICABLE | 34822-0493 | 0 | C | BLUE | | | | | | | | | | | | | | | | | | | | | | | | |
| | | | | | | | | | | | | | | | | | | | | | | | | | | | | | |
| | | | | | | 65 | | | | | | | | | | | | | | | | | | | | | | | |
| SALEABLE | NOT APPLICABLE | 34566-9283 | 9 | G | BLUE | | | | | | | | | | | | | | | | | | | | | | | | |
| | | | | | | | | | | | | | | | | | | | | | | | | | | | | | |
| | | | | | | 73 | | | | | | | | | | | | | | | | | | | | | | | |
| SALEABLE | NOT APPLICABLE | 34566-9293 | 9 | G | BLUE | | | | | | | | | | | | | | | | | | | | | | | | |
| | | | | | | | | | | | | | | | | | | | | | | | | | | | | | |
| | | | | | | 73 | | | | | | | | | | | | | | | | | | | | | | | |
| SALEABLE | NOT APPLICABLE | 34566-9313 | 9 | A | BLACK | | | | | | | | | | | | | | | | | | | | | | | | |
| | | | | | | | | | | | | | | | | | | | | | | | | | | | | | |
| | | | | | | 73 | | | | | | | | | | | | | | | | | | | | | | | |

MX123 52/66/73/80-WAY RECEPTACLE ASSY SEALED PIN OUT SHEET

| STATUS | GM PART # | HRNS CONN ASSY | | | TPA | GROMMET CAP | | | | | | | | | | | | | | | | | | | | | | | |
|----------|----------------|----------------|-------------------|------------------|--------------------|---|----|----|----|----|----|----|----|----|----|----|----|----|----|----|----|----|----|----|----|----|----|----|----|
| | | MATERIAL/PART | WIRE DRESS OPTION | KEY OPTION Fp | COLOR OPTION Fp | NUMBERS INDICATE CAVITIES OPEN FOR CIRCUITS | | | | | | | | | | | | | | | | | | | | | | | |
| | | NUMBER | | | | Fp | | | | | | | | | | | | | | | | | | | | | | | |
| SALEABLE | NOT APPLICABLE | 34566-9323 | 9 | A | BLACK | 72 | | | | | | | | | 64 | | 62 | 61 | | 59 | 58 | 57 | 56 | 55 | 54 | 53 | | | |
| | | | | | | 52 | 51 | | | 48 | | 46 | 45 | | 43 | | 41 | 40 | | | | | | | | 20 | | | |
| | | | | | | 73 | | | 32 | | 30 | 29 | | 27 | | 25 | | | | | | | | | | | 4 | 3 | |
| SALEABLE | NOT APPLICABLE | 34566-9333 | 9 | A | BLACK | 72 | | | | | | | | | 64 | | 62 | 61 | | 59 | 58 | 57 | 56 | 55 | 54 | 53 | | | |
| | | | | | | 52 | 51 | | | 48 | | 46 | 45 | | 43 | | 41 | 40 | | | | | | | | 20 | | | |
| | | | | | | 73 | | | 32 | | 30 | 29 | | 27 | | 25 | | | | | | | | | | | 4 | 3 | |
| SALEABLE | NOT APPLICABLE | 34566-9343 | 9 | C | BLUE | 72 | | 70 | 69 | 68 | | 66 | | | | 63 | 62 | | | | 58 | | | 56 | 55 | | 53 | | |
| | | | | | | | | | 49 | | | 46 | | | 43 | 42 | | 40 | | | | 38 | | | 36 | 35 | | | |
| | | | | | | 73 | | | | | 31 | 30 | 29 | | | 26 | | 24 | | | | 22 | 21 | | | 20 | 19 | | 17 |
| SALEABLE | NOT APPLICABLE | 34822-0503 | 0 | A | BLACK | 64 | | 62 | 61 | 60 | 59 | 58 | | | | 54 | 53 | | 51 | | | | | | | | | | |
| | | | | | | 48 | 47 | | | | | | | | 38 | 37 | 36 | | 34 | | | | | | | | | | |
| | | | | | | 65 | | | | | 15 | | 13 | | | | | 9 | | 7 | | | | | | 4 | 3 | 2 | 1 |
| SALEABLE | NOT APPLICABLE | 34822-0513 | 9 | A | BLACK | | 63 | 62 | 61 | | 59 | | | | | 54 | 53 | | | | | 49 | | | | | | | |
| | | | | | | | | | | | | | | | 38 | 37 | | 35 | | | | | | 33 | | | | | |
| | | | | | | 65 | | | | | 31 | | 28 | | | | 24 | | 22 | 21 | | | | | 20 | 19 | 18 | 17 | |
| SALEABLE | NOT APPLICABLE | 34566-9353 | 9 | A | BLACK | 72 | | | | | | | | | 64 | | 62 | 61 | | | 58 | 57 | 56 | 55 | 54 | 53 | | | |
| | | | | | | 52 | 51 | | | 48 | | 46 | 45 | | 43 | | 41 | 40 | | | | | | | 20 | | | | |
| | | | | | | 73 | | | 32 | | 30 | 29 | | 27 | | 25 | | | | | | | | | | 4 | | | |
| SALEABLE | NOT APPLICABLE | 34566-9363 | 9 | A | BLACK | 72 | | | | | | | | | 64 | | 62 | 61 | | | | 57 | 56 | 55 | 54 | 53 | | | |
| | | | | | | 52 | 51 | | | | | 46 | 45 | | 43 | | | 40 | | | | | | 37 | | 35 | 34 | | |
| | | | | | | 73 | | | 32 | | 30 | 29 | | 27 | | 25 | | | | | | | | | | 4 | | | |
| SALEABLE | NOT APPLICABLE | 34566-9373 | 9 | G | BLUE | 80 | | | | | | | | | | | | | | 66 | | | 64 | | | | | | |
| | | | | | | | 59 | | 57 | | | | | | | | 49 | | | | | | | | | | | | |
| | | | | | | | 39 | | | | | | | | | 30 | | | | | | | | | | | | | |
| SALEABLE | NOT APPLICABLE | 34566-9383 | 9 | A | BLACK | 72 | 71 | 70 | 69 | 68 | | | | | 64 | 63 | 62 | 61 | | 59 | 58 | 57 | 56 | 55 | 54 | 53 | | | |
| | | | | | | 52 | 51 | 50 | | 48 | 47 | 46 | 45 | 44 | 43 | | 41 | 40 | 39 | 38 | 37 | | | | 20 | 19 | 18 | 17 | |
| | | | | | | 73 | | | 32 | | 30 | 29 | | 27 | 26 | 25 | 24 | | | | | | | | | 4 | 3 | 2 | 1 |
| SALEABLE | NOT APPLICABLE | 34566-9393 | 0 | B | ST GRAY | 72 | 71 | 70 | 69 | 68 | 67 | | 65 | 64 | 63 | | 61 | 60 | 59 | | | 57 | 56 | 55 | 54 | 53 | | | |
| | | | | | | 52 | 51 | 50 | 49 | 48 | 47 | 46 | 45 | 44 | 43 | 42 | | 40 | 39 | | | | | 36 | 35 | 34 | 33 | | |
| | | | | | | 73 | | | 32 | 31 | 30 | 29 | 28 | 27 | 26 | 25 | 24 | 23 | 22 | 21 | 20 | | | | | 4 | 3 | 2 | |
| SALEABLE | NOT APPLICABLE | 34566-9413 | 9 | H | ST GRAY | | | | | | | | | | | | | | | | | | | | | | | | |
| | | | | | | | | | | | | | | | | | | | | | | | | | | | | | |
| | | | | | | | | | | | | | | | | | | | | | | | | | | | | | |
| SALEABLE | NOT APPLICABLE | 34566-9423 | 0 | A | BLACK | 72 | 71 | 70 | | | 67 | 66 | | | | | | | | | 58 | 57 | 56 | 55 | 54 | 53 | | | |
| | | | | | | 52 | 51 | 50 | | | 47 | 46 | | | | | | | | | | 39 | | 37 | 36 | 35 | | 33 | |
| | | | | | | 73 | | | 32 | 31 | 30 | 29 | 28 | 27 | 26 | | | | | | | | | | | | 3 | 2 | 1 |
| SALEABLE | NOT APPLICABLE | 34566-9433 | 0 | B | ST GRAY | 72 | 71 | 70 | 69 | 68 | 67 | 66 | 65 | 64 | 63 | | 61 | | | | 58 | 57 | 56 | 55 | 54 | 53 | | | |
| | | | | | | 52 | 51 | 50 | 49 | 48 | 47 | 46 | 45 | 44 | | | | 40 | 39 | | | | | 37 | 36 | 35 | 34 | 33 | |
| | | | | | | 73 | | | | | 30 | 29 | 28 | 27 | 26 | 25 | 24 | | | | 21 | | | | | | | | |
| SALEABLE | NOT APPLICABLE | 34566-9443 | 9 | B | ST GRAY | | | | | | | | | | | | | | | | | | | | | | | | |
| | | | | | | | | 50 | 49 | 48 | 47 | 46 | | 65 | 64 | 63 | 62 | 61 | 60 | 59 | | 57 | 56 | 55 | 54 | 53 | | | |
| | | | | | | 73 | | | 32 | 31 | 30 | 29 | 28 | 27 | 26 | 25 | 24 | 23 | 22 | 21 | | | | | | 4 | 3 | 2 | |
| SALEABLE | NOT APPLICABLE | 34566-9453 | 0 | A | BLACK | 72 | 71 | 70 | 69 | | 67 | | | 64 | | | 61 | 60 | 59 | | | 57 | 56 | 55 | 54 | 53 | | | |
| | | | | | | 52 | 51 | | | 48 | | | 45 | 44 | | | 41 | 40 | 39 | 38 | 37 | 36 | 35 | 34 | | | | | |
| | | | | | | 73 | | | | | 31 | 30 | 29 | | 27 | 26 | 25 | | | 22 | | | | | | 19 | 18 | | |

MX123 52/66/73/80-WAY RECEPTACLE ASSY SEALED PIN OUT SHEET

| STATUS | GM PART # | HRNS CONN ASSY | | | TPA | GROMMET CAP | | | | | | | | | | | | | | | | | | | | | | | | | | | | | | | | |
|----------|----------------|----------------|-------------------------|--------------------------|---------|----------------------------|---|----|----|----|----|----|----|----|----|----|----|----|----|----|----|----|----|----|----|----|----|----|----|----|----|----|----|----|----|----|----|----|
| | | MATERIAL/PART | WIRE DRESS OPTION | KEY OPTION ▽ Fp | | COLOR OPTION ▽ Fp | NUMBERS INDICATE CAVITIES OPEN FOR CIRCUITS | | | | | | | | | | | | | | | | | | | | | | | | | | | | | | | |
| | | NUMBER | | | | | ▽ Fp | | | | | | | | | | | | | | | | | | | | | | | | | | | | | | | |
| SALEABLE | NOT APPLICABLE | 34566-9463 | 0 | G | BLUE | 80 | 79 | 78 | | | | 75 | | | | | | | | 66 | 65 | 64 | | | | | | | 43 | 42 | 41 | | | | | | | |
| | | | | | | | 59 | | | | | | | | | | | 30 | | | | 26 | 25 | 24 | | | | | | | | | 22 | 21 | | | | |
| | | | | | | | | 39 | 38 | 37 | | | 35 | | | | | | | | | | | | | | | | | 8 | 7 | 6 | 5 | | 3 | 2 | 1 | |
| | | | | | | 20 | | | 18 | 17 | 16 | | | | | | | 12 | | | | | | | | | | | | | | | | | | | | |
| SALEABLE | NOT APPLICABLE | 34566-9473 | 0 | G | BLUE | 80 | 79 | 78 | | | | 75 | | | | | | | | | 66 | 65 | 64 | | | | | | | | | 62 | | | | | | |
| | | | | | | | 59 | | | | | | | 53 | | | | | | | | 46 | | | | | | | | | | 43 | 42 | 41 | | | | |
| | | | | | | | | 39 | 38 | 37 | | | 35 | | | | | | | | | | | | | | | | | | | 26 | 25 | 24 | | 22 | 21 | |
| | | | | | | 20 | | | 18 | 17 | 16 | | | | | | | 12 | | | | | | | | | | | | 8 | 7 | 6 | 5 | | 3 | 2 | 1 | |
| SALEABLE | NOT APPLICABLE | 34566-9483 | 0 | G | BLUE | 80 | 79 | 78 | | | | 75 | | | | | | | | 66 | 65 | 64 | | | | | | | | | | 42 | 41 | | | | | |
| | | | | | | | 59 | | | | | | | | | | | | | | | 46 | | | | | | | | | | | 43 | 42 | 41 | | | |
| | | | | | | | | 39 | 38 | 37 | | | 35 | | | | | | | | | | | | | | | | | | | | 26 | 25 | 24 | | 22 | 21 |
| | | | | | | 20 | | | 18 | 17 | 16 | | | | | | | 12 | | | | | | | | | | | | | | | | | | | | |
| SALEABLE | NOT APPLICABLE | 34566-9493 | 0 | G | BLUE | 80 | 79 | 78 | | | | 75 | | | | | | | | 66 | 65 | | | | | | | | | | | | 42 | 41 | | | | |
| | | | | | | | 59 | | | | | | | | | | | | | | | 46 | | | | | | | | | | | 43 | 42 | 41 | | | |
| | | | | | | | | 39 | 38 | 37 | | | 35 | | | | | | | | | | | | | | | | | | | | 26 | 25 | 24 | | 22 | 21 |
| | | | | | | 20 | | | 18 | 17 | 16 | | | | | | | 12 | | | | | | | | | | | | | | | | | | | | |
| SALEABLE | NOT APPLICABLE | 34566-9513 | 0 | G | BLUE | 80 | 79 | 78 | 77 | 76 | 75 | 74 | 73 | 72 | 71 | 70 | 69 | 68 | 67 | 66 | 65 | 64 | 63 | 62 | 61 | | | | | | | | | | | | | |
| | | | | | | 60 | 59 | 58 | 57 | 56 | 55 | 54 | 53 | 52 | 51 | 50 | 49 | 48 | | 46 | | | | | | 43 | 42 | 41 | | | | | | | | | | |
| | | | | | | | | 39 | 38 | 37 | | | 35 | | | | | | | | | | | | | | | | | | | | 26 | 25 | 24 | | 22 | 21 |
| | | | | | | 20 | | | 18 | 17 | 16 | | | | | | | | | | | | | | | | | | | | 8 | 7 | 6 | 5 | | 3 | 2 | 1 |
| SALEABLE | NOT APPLICABLE | 34566-9523 | 0 | G | BLUE | 80 | 79 | 78 | | | | 75 | | | | | | | 66 | 65 | 64 | | | | | | | | | | | | 62 | | | | | |
| | | | | | | | 59 | | | 57 | | | | 53 | | | | | | | 46 | | | | | | | | | | | | 43 | 42 | 41 | | | |
| | | | | | | | | 39 | 38 | 37 | | | 35 | | 33 | | | | | | | | | | | | | | | | | | 26 | 25 | 24 | | 22 | 21 |
| | | | | | | 20 | | | 18 | 17 | 16 | | | | | | | | | | | | | | | | | | | | | | | | | | | |
| SALEABLE | NOT APPLICABLE | 34822-0523 | 0 | C | BLUE | 64 | 63 | 62 | | 60 | 59 | | 57 | 56 | 55 | 54 | 53 | 52 | 51 | 50 | 49 | 66 | | | | | | | | | | | 19 | 18 | 17 | | | |
| | | | | | | 48 | 47 | 46 | 45 | | | 42 | | | 39 | | 37 | 36 | 35 | 34 | 33 | | | | | | | | | | | | | | | | | |
| | | | | | | 65 | | | | | | | | | 32 | | 30 | 29 | 28 | 27 | 26 | 25 | 24 | 23 | 22 | | | | | | | | | | | | | |
| | | | | | | | | | | 16 | 15 | 14 | 13 | 12 | 11 | 10 | 9 | 8 | 7 | 6 | | | | | | | | | | | | | | | | | | |
| SALEABLE | NOT APPLICABLE | 34566-9543 | 0 | A | BLACK | | | | | | | | | | | | | | | | | | | | | | | | | | | | | | | | | |
| | | | | | | | | | 49 | 48 | 47 | 46 | 45 | 44 | 43 | | | 40 | | | | 38 | 37 | 36 | | | | | | | | | | | | | | |
| | | | | | | 73 | | | | | | | | | 32 | 31 | | 29 | 28 | 27 | | 25 | 24 | 23 | 22 | | | | | | | | | | | | | |
| | | | | | | | | | | 16 | 15 | | | | | 12 | | | | 10 | 9 | | | | | | | | | | | | 6 | 5 | | | 2 | 1 |
| SALEABLE | NOT APPLICABLE | 34566-9553 | 0 | C | BLUE | | | | | | | | | | | 66 | 65 | 64 | 63 | 62 | | 60 | 59 | | | | | | 57 | 56 | 55 | 54 | 53 | | | | | |
| | | | | | | 52 | 51 | 50 | 49 | 48 | 47 | 46 | 45 | | | | | | 42 | | | | | | | 39 | | | | | | | 37 | 36 | 35 | 34 | 33 | |
| | | | | | | 73 | | | | | | | | | 32 | | 30 | 29 | 28 | 27 | 26 | 25 | 24 | 23 | 22 | | | | | | | | | | | | | |
| | | | | | | | | | | 16 | 15 | 14 | 13 | 12 | 11 | 10 | 9 | 8 | 7 | 6 | | | | | | | | | | | | | | | | | | |
| SALEABLE | NOT APPLICABLE | 34566-9563 | 0 | C | BLUE | 72 | 71 | 70 | 69 | | | | | 67 | 66 | 65 | 64 | | | | | | | | | | | | | 56 | | | 54 | | | | | |
| | | | | | | 52 | 51 | 50 | 49 | 48 | 47 | 46 | 45 | 44 | | | | | | | 40 | 39 | 38 | | | | | | | | | | | | | | | |
| | | | | | | 73 | | | | | | | | | | | | | 31 | 30 | | | 28 | | | 26 | 25 | 24 | 23 | 22 | 21 | 20 | | | | 17 | | |
| | | | | | | | | | | 16 | 15 | 14 | 13 | 12 | | | | | | | | 9 | 8 | 7 | 6 | 5 | 4 | | | | | | | | | | | |
| SALEABLE | NOT APPLICABLE | 34566-9573 | 0 | B | ST GRAY | 72 | 71 | 70 | 69 | 68 | 67 | | | 65 | 64 | 63 | | | | 61 | 60 | 59 | | | | | | | 57 | 56 | 55 | 54 | 53 | | | | | |
| | | | | | | 52 | 51 | 50 | 49 | 48 | 47 | 46 | 45 | 44 | 43 | 42 | | | 40 | 39 | | | | | | | | | | | | 36 | 35 | 34 | 33 | | | |
| | | | | | | 73 | | | | | | | | | 32 | 31 | 30 | 29 | 28 | 27 | 26 | 25 | 24 | 23 | 22 | 21 | | | | | | | | | | | | |
| | | | | | | | | | | 16 | 15 | 14 | 13 | 12 | 11 | 10 | 9 | 8 | 7 | 6 | | | | | | | | | | | | | 4 | 3 | 2 | | | |
| SALEABLE | NOT APPLICABLE | 34566-9583 | 0 | B | ST GRAY | 72 | 71 | 70 | 69 | 68 | 67 | 66 | 65 | 64 | 63 | | | | 61 | 60 | 59 | | | | | | | | 57 | 56 | 55 | 54 | | | | | | |
| | | | | | | 52 | 51 | 50 | 49 | 48 | 47 | 46 | 45 | 44 | 43 | | | | 41 | 40 | 39 | 38 | 37 | 36 | 35 | 34 | 33 | | | | | | | | | | | |
| | | | | | | 73 | | | | | | | | | 32 | 31 | 30 | 29 | 28 | | | 26 | 25 | 24 | 23 | 22 | 21 | 20 | 19 | 18 | 17 | | | | | | | |
| | | | | | | | | | | 16 | 15 | 14 | 13 | 12 | | | | | | | 9 | 8 | 7 | 6 | 5 | 4 | 3 | 2 | 1 | | | | | | | | | |
| SALEABLE | NOT APPLICABLE | 34566-9593 | 0 | A | BLACK | 72 | | 70 | | | | | | 67 | | | | | | | | | | | | | | | | | | | | | | | | |
| | | | | | | 52 | 51 | | | 48 | 47 | | | | | | | | 43 | 42 | | 40 | 39 | 38 | 37 | 36 | 35 | | | | | | | | | | | |
| | | | | | | 73 | | | | | | | | | | | | | | | | | | | | 28 | 27 | | | | | | | | | 18 | 17 | |
| | | | | | | | | | | | | | | | | | | | | | | | | | | | | | | | | | | | | | | |
| SALEABLE | NOT APPLICABLE | 34566-9613 | 0 | C | BLUE | | | 71 | 70 | 69 | | | | 67 | 66 | 65 | 64 | | | | | | | | | | | | 56 | | | | | | | | | |
| | | | | | | 52 | 51 | 50 | 49 | | | | | 47 | 46 | 45 | 44 | | | | | | | | 40 | 39 | | | | | | | | | | | | |
| | | | | | | 73 | | | | | | | | | 31 | 30 | | | 28 | | | 26 | 25 | 24 | 23 | 22 | 21 | 20 | 19 | 18 | 17 | | | | | | | |
| | | | | | | | | | | 16 | 15 | 14 | 13 | 12 | | | | | | | | 9 | 8 | 7 | 6 | 5 | 4 | | | | | | | | | | | |
| SALEABLE | NOT APPLICABLE | 34566-9623 | 9 | B | ST GRAY | 72 | 71 | 70 | | | | | | | | 64 | 63 | | | 61 | | | | | | | | 58 | 57 | 56 | 55 | | | | | | | |
| | | | | | | 52 | 51 | 50 | | | | | | | | | | | | 43 | | | | | | | | | | | | 38 | 37 | 36 | | | | |
| | | | | | | 73 | | | | | | | | | 32 | | | | | | | 26 | 25 | 24 | 23 | 22 | 21 | 20 | | | | | | | | | | |
| | | | | | | | | | | 16 | | | 14 | 13 | | | | | | | | 11 | 10 | 9 | 8 | 7 | 6 | 5 | 4 | | | | | | | | | |

MX123 52/66/73/80-WAY RECEPTACLE ASSY SEALED PIN OUT SHEET

| STATUS | GM PART # | HRNS CONN ASSY | | | TPA | GROMMET CAP | | | | | | | | | | | | | | | | | | | | | |
|----------|----------------|----------------|-------------------|------------------|--------------------|---|----|----|----|----|----|----|----|----|----|----|----|----|----|----|----|----|----|----|----|----|----|
| | | MATERIAL/PART | WIRE DRESS OPTION | KEY OPTION Fp | COLOR OPTION Fp | NUMBERS INDICATE CAVITIES OPEN FOR CIRCUITS | | | | | | | | | | | | | | | | | | | | | |
| | | NUMBER | | | | Fp | | | | | | | | | | | | | | | | | | | | | |
| SALEABLE | NOT APPLICABLE | 34566-9633 | 9 | B | ST GRAY | 72 | 71 | 70 | 69 | 68 | 67 | | 65 | 64 | 63 | | 61 | 60 | 59 | | 57 | 56 | 55 | 54 | 53 | | |
| | | | | | | 52 | 51 | 50 | 49 | 48 | 47 | 46 | 45 | 44 | 43 | 42 | | 40 | 39 | | | | 36 | 35 | 34 | 33 | |
| | | | | | | 73 | | | | 32 | 31 | 30 | 29 | 28 | 27 | 26 | 25 | 24 | 23 | 22 | 21 | 20 | | | | 3 | 2 |
| SALEABLE | NOT APPLICABLE | 34566-9643 | 9 | A | BLACK | | | | 69 | | | | | 64 | 63 | | 61 | | 59 | | | | | | | | |
| | | | | | | 52 | | | | 48 | | | | 44 | 43 | | 41 | | 39 | 38 | | | | 35 | 34 | | |
| | | | | | | 73 | | | | | | 30 | 29 | | | | | | | 10 | | | | | | 5 | |
| SALEABLE | NOT APPLICABLE | 34566-9653 | 9 | G | BLUE | 80 | | | | | | | | | | | | | 66 | 65 | | | | | | | |
| | | | | | | | 59 | | 57 | | | | | | | | | | | | | | | | | | |
| | | | | | | | 39 | | | | | | | | | 30 | | | | | | | | | | | |
| SALEABLE | NOT APPLICABLE | 34566-9663 | 0 | B | ST GRAY | 72 | 71 | 70 | 69 | 68 | 67 | 66 | 65 | 64 | 63 | | 61 | | | 58 | 57 | 56 | 55 | 54 | 53 | | |
| | | | | | | 52 | 51 | 50 | 49 | 48 | 47 | 46 | 45 | 44 | | | 40 | | | | 37 | 36 | 35 | 34 | 33 | | |
| | | | | | | 73 | | | | 32 | | 30 | 29 | 28 | | 26 | 25 | 24 | | | 21 | | | | | | 2 |
| SALEABLE | NOT APPLICABLE | 34822-0533 | 9 | C | BLUE | 64 | 63 | | | 60 | 59 | | 57 | 56 | 55 | | 53 | 52 | 51 | 50 | 49 | 66 | | | | | |
| | | | | | | 48 | 47 | 46 | 45 | | | 42 | | | 39 | 38 | | 36 | 35 | 34 | 33 | | | | | | |
| | | | | | | 65 | | | | 32 | | 30 | 29 | 28 | 27 | 26 | 25 | 24 | 23 | 22 | | | 20 | | | 18 | 17 |
| SALEABLE | NOT APPLICABLE | 34822-0543 | 0 | A | BLACK | 64 | 63 | 62 | 61 | 60 | 59 | | | | | 54 | 53 | | 51 | | 49 | 66 | | | | | |
| | | | | | | | 47 | | | | | | | | 38 | 37 | | 35 | | | 33 | | | | | | |
| | | | | | | 65 | | | | | | | | 28 | | | 25 | 24 | | 22 | 21 | 20 | 19 | 18 | 17 | | |
| SALEABLE | NOT APPLICABLE | 34822-0553 | 0 | A | BLACK | 64 | 63 | | | | | | | | 54 | 53 | | 51 | | 49 | 66 | | | | | | |
| | | | | | | | | | | | | | | 38 | 37 | | 35 | | | 33 | | | | | | | |
| | | | | | | 65 | | | | | 31 | | | 28 | | | | 24 | 23 | | 21 | 20 | 19 | 18 | 17 | | |
| SALEABLE | NOT APPLICABLE | 34822-0563 | 0 | C | BLUE | 64 | 63 | 62 | | 60 | 59 | | 57 | 56 | 55 | 54 | 53 | 52 | 51 | 50 | 49 | 66 | | | | | |
| | | | | | | 48 | 47 | 46 | 45 | | | 42 | | | 39 | | 37 | 36 | 35 | 34 | 33 | | | | | | |
| | | | | | | 65 | | | | 32 | | 30 | 29 | 28 | 27 | 26 | | 24 | 23 | 22 | | | | 19 | 18 | 17 | |
| SALEABLE | NOT APPLICABLE | 34566-9673 | 0 | C | BLUE | 72 | 71 | 70 | 69 | | 67 | 66 | 65 | 64 | | | | 60 | | | 56 | | | 54 | | | |
| | | | | | | 52 | 51 | 50 | 49 | | 47 | 46 | 45 | 44 | | | | 40 | 39 | 38 | | | | | 34 | | |
| | | | | | | 73 | | | | | 31 | 30 | | 28 | | 26 | 25 | 24 | 23 | 22 | 21 | 20 | | | | | 17 |
| SALEABLE | NOT APPLICABLE | 34566-9683 | 0 | B | ST GRAY | 72 | 71 | 70 | 69 | 68 | 67 | 66 | 65 | 64 | 63 | | 61 | 60 | | 57 | 56 | 55 | 54 | | | | |
| | | | | | | 52 | 51 | 50 | 49 | 48 | 47 | 46 | 45 | 44 | 43 | | 41 | 40 | | 38 | 37 | 36 | 35 | | | 33 | |
| | | | | | | 73 | | | | 32 | 31 | 30 | 29 | 28 | | 26 | | 24 | 23 | 22 | 21 | 20 | 19 | | | | 17 |
| SALEABLE | NOT APPLICABLE | 34566-9693 | 0 | A | BLACK | 72 | | 70 | | | 67 | | | | | 63 | | | 60 | 59 | 58 | 57 | 56 | 55 | 53 | | |
| | | | | | | 52 | 51 | | | 48 | 47 | | | | 43 | 42 | | 40 | 39 | 38 | 37 | 36 | 35 | | | 33 | |
| | | | | | | 73 | | | | | | | | 28 | | | | | | | | | | | | 18 | 17 |
| SALEABLE | NOT APPLICABLE | 34566-9713 | 0 | B | ST GRAY | | | | | 68 | 67 | 66 | 65 | 64 | | | | | 59 | 58 | 57 | | 55 | 54 | 53 | | |
| | | | | | | | 51 | 50 | 49 | 48 | | 46 | 45 | | 43 | 42 | | 40 | 39 | 38 | 37 | | | 35 | | 33 | |
| | | | | | | 73 | | | | 32 | 31 | 30 | | | | 26 | | 24 | 23 | 22 | | 20 | | | | | |
| SALEABLE | NOT APPLICABLE | 34566-9723 | 0 | B | ST GRAY | | | | | | | | | | | | | | | | | | | | | | |
| | | | | | | | 51 | 50 | 49 | 48 | 47 | 46 | 45 | | 43 | | | 40 | | | 37 | 36 | | | | | |
| | | | | | | 73 | | | | 32 | | 30 | 29 | 28 | | 26 | 25 | 24 | | | 21 | | | 19 | | | |
| SALEABLE | NOT APPLICABLE | 34566-9733 | 0 | A | BLACK | 72 | 71 | 70 | | | 67 | 66 | | | | | | 59 | | | | | | 53 | | | |
| | | | | | | 52 | 51 | 50 | | | 47 | 46 | | | | | | 39 | | | 37 | | | 35 | | 33 | |
| | | | | | | 73 | | | | | | 30 | 29 | 28 | 27 | 26 | | | | 21 | | | | | | 3 | |
| SALEABLE | NOT APPLICABLE | 34822-0573 | 0 | A | BLACK | 64 | 63 | | | | | | | | | 54 | 53 | | 51 | | 49 | 66 | | | | | |
| | | | | | | | | | | | | | | | 38 | 37 | | 35 | | | 33 | | | | | | |
| | | | | | | 65 | | | | | | | | 28 | | | | 24 | | 22 | | | 20 | 19 | 18 | 17 | |

MX123 52/66/73/80-WAY RECEPTACLE ASSY SEALED PIN OUT SHEET

| STATUS | GM PART # | HRNS CONN ASSY | | | TPA | GROMMET CAP | | | | | | | | | | | | | | | | | | | | | |
|----------|----------------|----------------|-------------------|------------------|--------------------|---|----|----|----|----|----|----|----|----|----|----|----|----|----|----|----|----|----|----|----|----|----|
| | | MATERIAL/PART | WIRE DRESS OPTION | KEY OPTION Fp | COLOR OPTION Fp | NUMBERS INDICATE CAVITIES OPEN FOR CIRCUITS | | | | | | | | | | | | | | | | | | | | | |
| | | NUMBER | | | | Fp | | | | | | | | | | | | | | | | | | | | | |
| SALEABLE | NOT APPLICABLE | 34822-0653 | 0 | A | BLACK | 64 | 63 | 62 | 61 | | 59 | | | | | 54 | 53 | | | 49 | 66 | | | | | | |
| | | | | | | | | | | | 31 | | | 28 | | | | 24 | | 22 | 21 | 20 | 19 | 18 | 17 | | |
| | | | | | | 65 | | | | | 15 | 14 | 13 | 12 | | | | 8 | 7 | | | | 4 | 3 | 2 | 1 | |
| SALEABLE | NOT APPLICABLE | 34566-9833 | 9 | B | ST GRAY | 72 | 71 | 70 | 69 | 68 | 67 | | | 64 | 63 | | 61 | | | 58 | 57 | 56 | 55 | 54 | 53 | | |
| | | | | | | 52 | 51 | 50 | 49 | 48 | 47 | | | 44 | 43 | | 41 | | | 38 | 37 | 36 | | | | 33 | |
| | | | | | | 73 | | | | | 32 | | 30 | 29 | 28 | | 26 | 25 | 24 | 23 | 22 | 21 | 20 | | | | |
| SALEABLE | NOT APPLICABLE | 34566-9843 | 9 | A | BLACK | 72 | 71 | 70 | | | 67 | 66 | 65 | 64 | 63 | 62 | 61 | | 59 | | | | | 55 | 54 | 53 | |
| | | | | | | 52 | 51 | 50 | | | 47 | 46 | 45 | 44 | 43 | 42 | 41 | 40 | 39 | | | 37 | 36 | 35 | 34 | 33 | |
| | | | | | | 73 | | | | | | | 30 | 29 | | | | | | | | | | | | 18 | 17 |
| SALEABLE | NOT APPLICABLE | 34566-9853 | 9 | B | ST GRAY | 72 | 71 | 70 | 69 | 68 | 67 | | | 65 | 64 | 63 | 62 | 61 | 60 | 59 | 58 | 57 | 56 | 55 | 54 | 53 | |
| | | | | | | 52 | 51 | 50 | 49 | 48 | 47 | 46 | 45 | 44 | 43 | 42 | | 40 | 39 | | | 36 | 35 | 34 | 33 | | |
| | | | | | | 73 | | | | | 32 | 31 | 30 | 29 | 28 | 27 | 26 | 25 | 24 | 23 | 22 | 21 | 20 | | | | |
| SALEABLE | NOT APPLICABLE | 34566-9863 | 0 | B | ST GRAY | 72 | 71 | 70 | 69 | 68 | 67 | | | 65 | 64 | 63 | 62 | 61 | 60 | 59 | | 57 | 56 | 55 | 54 | 53 | |
| | | | | | | 52 | 51 | 50 | 49 | 48 | 47 | 46 | 45 | 44 | 43 | 42 | | 40 | 39 | | | 36 | 35 | 34 | 33 | | |
| | | | | | | 73 | | | | | 32 | 31 | 30 | 29 | 28 | 27 | 26 | 25 | 24 | 23 | 22 | 21 | | | | | |
| SALEABLE | NOT APPLICABLE | 34566-0004 | 0 | A | BLACK | 72 | 71 | 70 | 69 | | 67 | | | 64 | 63 | | 61 | 60 | 59 | | 57 | 56 | 55 | 54 | 53 | | |
| | | | | | | 52 | 51 | | | 48 | | | 45 | 44 | 43 | | 41 | 40 | 39 | 38 | 37 | 36 | 35 | 34 | 33 | | |
| | | | | | | 73 | | | | | 31 | 30 | 29 | | 27 | 26 | 25 | | 22 | | | | 19 | 18 | | | |
| SALEABLE | NOT APPLICABLE | 34566-0014 | 0 | G | BLUE | 80 | 79 | 78 | 77 | | 75 | | | | | | | | 66 | 65 | 64 | | 62 | | | | |
| | | | | | | | 59 | | 57 | | | | | | | | | | | 46 | | | 43 | 42 | 41 | | |
| | | | | | | | 39 | 38 | 37 | | 35 | | 33 | 32 | | 30 | | | | 26 | 25 | 24 | | 22 | 21 | | |
| SALEABLE | NOT APPLICABLE | 34566-0024 | 0 | G | BLUE | 20 | | 18 | 17 | 16 | 15 | | | 12 | | | | 8 | 7 | 6 | 5 | | 3 | 2 | 1 | | |
| | | | | | | | | | | | | | | | | | | | | | | | | | | | |
| | | | | | | | | | | | | | | | | | | | | | | | | | | | |
| SALEABLE | NOT APPLICABLE | 34566-0034 | 0 | G | BLUE | 80 | 79 | 78 | | | 75 | | | | | | | 66 | 65 | 64 | | 62 | | | | | |
| | | | | | | | 59 | | 57 | | | | 53 | | | | | | 46 | | | 43 | 42 | 41 | | | |
| | | | | | | | 39 | 38 | 37 | | 35 | | 33 | 32 | | 30 | | | | 26 | 25 | 24 | | 22 | 21 | | |
| SALEABLE | NOT APPLICABLE | 34566-0044 | 0 | A | BLACK | 72 | 71 | 70 | 69 | | 67 | | | 64 | | | 61 | 60 | 59 | | 57 | 56 | 55 | 54 | 53 | | |
| | | | | | | 52 | 51 | | | 48 | | | 45 | 44 | | | 41 | 40 | 39 | 38 | 37 | 36 | 35 | 34 | 33 | | |
| | | | | | | 73 | | | | | 31 | 30 | 29 | | 27 | 26 | 25 | | 22 | | | | 19 | 18 | | | |
| SALEABLE | NOT APPLICABLE | 34566-0054 | 0 | G | BLUE | 80 | 79 | 78 | 77 | | 75 | | | | | | | 66 | 65 | 64 | | 62 | | | | | |
| | | | | | | | 59 | | 57 | | | | | | | | | | 46 | | | 43 | 42 | 41 | | | |
| | | | | | | | 39 | 38 | 37 | | 35 | | 33 | | | 30 | | | | 26 | 25 | 24 | | 22 | 21 | | |
| SALEABLE | NOT APPLICABLE | 34566-0064 | 0 | A | BLACK | 72 | 71 | 70 | 69 | | 67 | | | 64 | 63 | | 61 | 60 | 59 | | 57 | 56 | 55 | 54 | 53 | | |
| | | | | | | 52 | 51 | | | 48 | | | 45 | 44 | 43 | | 41 | 40 | 39 | 38 | 37 | 36 | 35 | 34 | | | |
| | | | | | | 73 | | | | | 31 | 30 | 29 | | 27 | 26 | 25 | | 22 | | | | 19 | 18 | | | |
| SALEABLE | NOT APPLICABLE | 34566-0084 | 0 | A | BLACK | | | 70 | 69 | | 67 | | | 64 | | | 61 | 60 | 59 | | 57 | 56 | 55 | 54 | 53 | | |
| | | | | | | 52 | 51 | | | 48 | | | 45 | 44 | | | 41 | 40 | 39 | 38 | 37 | 36 | 35 | 34 | 33 | | |
| | | | | | | 73 | | | | | 31 | 30 | 29 | | 27 | 26 | 25 | | 22 | | | | 19 | | | | |
| SALEABLE | NOT APPLICABLE | 34566-0094 | 0 | B | ST GRAY | 72 | 71 | 70 | 69 | 68 | 67 | | | 65 | 64 | 63 | 62 | 61 | 60 | 59 | | 57 | 56 | 55 | 54 | 53 | |
| | | | | | | 52 | 51 | 50 | 49 | 48 | 47 | 46 | 45 | 44 | 43 | 42 | | 40 | 39 | | | 36 | 35 | 34 | 33 | | |
| | | | | | | 73 | | | | | 32 | 31 | 30 | 29 | 28 | 27 | 26 | 25 | 24 | 23 | 22 | 21 | | | | | |
| SALEABLE | NOT APPLICABLE | 34566-0104 | 0 | B | ST GRAY | 72 | 71 | 70 | 69 | 68 | 67 | | | 65 | 64 | 63 | 62 | 61 | 60 | 59 | | 57 | 56 | 55 | 54 | 53 | |
| | | | | | | | | 50 | 49 | 48 | 47 | 46 | | 44 | 43 | 42 | | 40 | 39 | | | 36 | 35 | 34 | 33 | | |
| | | | | | | 73 | | | | | 32 | 31 | 30 | 29 | 28 | 27 | 26 | 25 | 24 | 23 | 22 | 21 | | | | | |

MX123 52/66/73/80-WAY RECEPTACLE ASSY SEALED PIN OUT SHEET

| STATUS | GM PART # | HRNS CONN ASSY | | | TPA | GROMMET CAP | | | | | | | | | | | | | | | | | | | | | | | | | | | | | | | | | | | | | | | | | | | | | | | | | | | | | | | | | | | | | | | | | | | | | | | | | | | | | | | | | | | | | | | | | | | | | | | | | | | | | | | | | | | | | | | | | | | | | | | | | | | | | | | | | | | | | | | | | | | | | | | | | | | | | | | | | | | | | | | | | | | | | | | | | | | | | | | | | | | | | | | | | | | | | | | | | | | | | | | | | | | | | | | | | | | | | | | | | | | | | | | | | | | | | | | | | | | | | | | | | | | | | | | | | | | | | | | | | | | | | | | | | | | | | | | | | | | | | | | | | | | | | | | | | | | | | | | | | | | | | | | | | | | | | | | | | | | | | | | | | | | | | | | | | | | | | | | | | | | | | | | | | | | | | | | | | | | | | | | | | | | | | | | | | | | | | | | | | | | | | | | | | | | | | | | | | | | | | | | | | | | | | | | | | | | | | | | | | | | | | | | | | | | | | | | | | | | | | | | | | | | | | | | | | | | | | | | | | | | | | | | | | | | | | | | | | | | | | | | | | | | | | | | | | | | | | | | | | | | | | | | | | | | | | | | | | | | | | | | | | | | | | | | | | | | | | | | | | | | | | | | | | | | | | | | | | | | | | | | | | | | | | | | | | | | | | | | | | | | | | | | | | | | | | | | | | | | | | | | | | | | | | | | | | | | | | | | | | | | | | | | | | | | | | | | | | | | | | | | | | | | | | | | | | | | | | | | | | | | | | | | | | | | | | | | | | | | | | | | | | | | | | | | | | | | | | | | | | | | | | | | | | | | | | | | | | | | | | | | | | | | | | | | | | | | | | | | | | | | | | | | | | | | | | | | | | | | | | | | | | | | | | | | | | | | | | | | | | | | | | | | | | | | | | | | | | | | | | | | | | | | | | | | | | | | | | | | | | | | | | | | | | | | | | | | | | | | | | | | | | | | | | | | | | | | | | | | | | | | | | | | | | | | | | | | | | | | | | | | | | | | | | | | | | | | | | | | | | | | | | | | | | | | | | | | | | | | | | | | | | | | | | | | | | | | | | | | | | | | | | | | | | | | | | | | | | | | | | | | | | | | | | | | | | | | | | | | | | | | | | | | | | | | | | | | | | | | | | | | | | | | | | | | | | | | | | | | | | | | | | | | | | | | | | | | | | | | | | | | | | | | | | | | | | | | | | | | | | | | | | | | | | | | | | | | | | | | | | | | | | | | | | | | | | | | | | | | | | | | | | | | | | | | | | | | | | | | | | | | | | | | | | | | | | | | | | | | | | | | | | | | | | | | | | | | | | | | | | | | | | | | | | | | | | | | | | | | | | | | | | | | | | | | | | | | | | | | | | | | | | | | | | | | | | | | | | | | | | | | | | | | | | | | | | | | | | | | | | | | | | | | | | | | | | | | | | | | | | | | | | | | | | | | | | | | | | | | | | | | | | | | | | | | | | | | | | | | | | | | | | | | | | | | | | | | | | | | | | | | | | | | | | | | | | | | | | | | | | | | | | | | | | | | | | | | | | | | | | | | | | | | | | | | | | | | | | | | | | | | | | | | | |
|----------|----------------|----------------|-------------------|------------|--------|---|----|----|----|----|----|----|----|----|----|----|----|----|----|----|----|----|----|----|----------|----------------|----------------|----------------|------------|--------|--------|--------|----|----|----|----|----|----|----|----|----|----|----|----|----|----|----|----|----|----------|----------------|----------------|----------------|----------------|----------------|------------|--------|------|--------|----|----|----|----|----|----|----|----|----|----|----|----|----|----|----------|----------------|----------------|----------------|------------|----------------|------------|----------|----------------|------------|----|----|--------|----|----|----|----|----|----|----|----|----|----|----|----------|----------------|----------------|----------------|----------------|------------|----------------|----------------|------------|----|----------|----------------|------------|----|----|--------|----|----|----|----|----|----|----|----|----|----|----------|----------------|----------------|----------------|----------------|----------------|------------|----------|----------------|------------|----|----|--------|----|----|----|----|----|----|----|----|----|----|----|----|----|----------|----------------|------------|----------------|----------------|----------------|------------|--------|----------|----------------|------------|----|----|--------|----|----|----|----|----|----|----|----|----|----|----------|----------------|----------------|------------|----------|----------------|----------------|------------|----|--------|-------|----------|----------------|------------|----|----|--------|----|----|----|----|----|----|----|----------|----------------|----------------|----------------|----------------|------------|----------------|----------------|------------|----|------|--------|----|----|----------|----------------|------------|----|----|--------|----|----|----|----|----|----------|----------------|----------------|----------------|----------------|------------|----------|----------------|------------|----------------|------------|-------|----|--------|----|----|----|----|----|----|----|----|----|----|----|----------|----------------|------------|----------------|------------|----------------|----------------|----------------|----------------|------------|----------|----------------|------------|----|----|--------|----|----|----|----|----|----|----|----|----|----------|----------------|----------------|----------------|------------|----------------|----------------|----------------|------------|----------------|------------|-------|----------|----------------|------------|----|----|--------|----|----|----|----|----|----|----------|----------------|----------------|------------|----------------|----------------|----------------|----------------|----------------|------------|----------|----------------|------------|----|----|----------|----------------|------------|----|----|--------|----|----|----|----|----------|----------------|----------------|------------|----------|----------------|----------------|----------------|------------|----------------|------------|-------|----------|----------------|------------|----|----|------|----|----|----|----|----|----|----|----|----------|----------------|------------|----|----------|----------------|----------------|------------|----------|----------------|------------|----|----|----------|----------------|------------|----|----|------|----|----|----|----|----|----|----------|----------------|------------|----|----------|----------------|----------------|------------|----|----------|----------------|------------|----|----|-------|----------|----------------|------------|----|----|------|----|----|----|----------|----------------|----------------|------------|----|----------|----------------|----------------|------------|----|--------|----------|----------------|------------|----|----|-------|----|----------|----------------|------------|----|----|------|----|----------|----------------|------------|----------------|------------|----------|----------------|----------------|----------------|------------|--------|------|-------|----------|----------------|------------|----|----|-------|----|----|----|----|----|----|----|----------|----------------|------------|----------|----------------|----------------|----------------|------------|----------------|------------|------|----|-------|----|----------|----------------|------------|----|----|-------|----|----|----|----|----|----------|----------------|------------|----------------|----------------|----------------|----------------|------------|----------|----------------|------------|----|----|-------|----|----|----------|----------------|------------|----|----|-------|----|----|----|----------|----------------|------------|----------|----------------|----------------|----------------|------------|--------|----------|----------------|------------|----|----|-------|----|----|----|----------|----------------|------------|----|----|-------|----|----|----------|----------------|------------|----------------|----------------|------------|----------------|------------|--------|----|----------|----------------|------------|----|----|-------|----|----|----|----|----|----|----|----|----|----|----|----------|----------------|------------|----|----------|----------------|------------|----|----|------|----------|----------------|------------|----|----|-------|----|----|----|----|----|----|----|----|----------|----------------|----------------|------------|----|--------|----------|----------------|------------|----|----|------|----|----------|----------------|------------|----|----|-------|----|----|----|----|----|----|----------|----------------|----------------|------------|----|--------|--------|----------|----------------|------------|----|----|------|----|----|----------|----------------|------------|----|----|-------|----|----|----|----|----------|----------------|----------------|----------------|------------|--------|------|--------|----|----------|----------------|------------|----|----|------|----|----|----|----|----|----|----|----|----|----|----------|----------------|----------------|------------|----------------|------------|--------|----|--------|----|----|----------|----------------|------------|----|----|------|----|----|----|----|----|----|----|----------|----------------|----------------|----------------|------------|----------|----------------|------------|----|----|--------|----|----|----|----------|----------------|------------|----|----|------|----|----|----|----|----|----------|----------------|----------------|----------------|------------|--------|----------|----------------|------------|----|----|--------|----|----|----|----|----------|----------------|------------|----|----|------|----|----|----|----|----------|----------------|------------|----------------|------------|--------|----|----------|----------------|------------|----|----|--------|----|----|----|----|----|----|----|----|----|----|----|----|----------|----------------|------------|----------|----------------|------------|----|----|------|----------|----------------|------------|----|----|--------|----|----|----|----|----|----|----|----|----|----------|----------------|----------------|------------|----|----------|----------------|------------|----|----|------|----|----------|----------------|------------|----|----|--------|----|----|----|----|----|----|----|----------|----------------|------------|----------------|------------|--------|----------|----------------|------------|----|----|------|----|----|----------|----------------|------------|----|----|--------|----|----|----|----|----|----|----------|----------------|------------|----------|----------------|------------|----|----------|----------------|------------|----|----|------|----|----|----|----|----|----|----|----|----|----|----|----|----------|----------------|------------|----------|----------------|------------|----|----|--------|----------|----------------|------------|----|----|------|----|----|----|----|----|----|----|----|----|----|----------|----------------|------------|----------|----------------|------------|----|----|--------|----|----|----------|----------------|------------|----|----|------|----|----|----|----|----|----|----|----|----|----------|----------------|------------|----------------|------------|--------|----|--------|----|----|----|----|----------|----------------|------------|----|----|------|----|----|----|----|----|----|----|----|----|----------|----------------|------------|----|----|--------|----|----|----|----|----|----|----|----|----|----|----|----|----|----|----|----|----|----|----|----------|----------------|------------|----|----|--------|----|----|----|----|----|----|----|----|----|----|----|----|----|----|----|----|----|----|----|----------|----------------|------------|---|----|--------|----|----|----|----|----|----|----|----|----|----|----|----|----|----|----|----|----|----|----|----------|----------------|----------------|------------|---|--------|--------|----|----|----|----|----|----|----|----|----|----|----|----|----|----|----|----|----|----|----------|----------------|------------|----------------|------------|--------|----|--------|----|----|----|----|----|----|----|----|----|----|----|----|----|----|----|----|----|----------|----------------|------------|----------|----------------|------------|----|----|--------|----|----|----|----|----|----|----|----|----|----|----|----|----|----|----|----|----------|----------------|------------|---|----------|----------------|------------|----|----|--------|----|----|----|----|----|----|----|----|----|----|----|----|----|----|----|----|----------|----------------|------------|---|---|----------|----------------|------------|----|----|--------|----|----|----|----|----|----|----|----|----|----|----|----|----|----|----|----------|----------------|------------|---|---|--------|----------|----------------|------------|----|----|--------|----|----|----|----|----|----|----|----|----|----|----|----|----|----|----------|----------------|------------|---|---|--------|----|----------|----------------|------------|----|----|--------|----|----|----|----|----|----|----|----|----|----|----|----|----|----------|----------------|------------|---|---|--------|----|----|----------|----------------|------------|----|----|--------|----|----|----|----|----|---|----|----|----|----|----|----|----|----------|----------------|------------|---|----|--------|----|----|----|----|----|----|----|----|----|----|----|----|----|----|----|----|----|----|----|----|----|----------|----------------|------------|----|---|--------|----|----|----|----|----|----|----|----|----|----|----|----|---|----|----|----|----|----|----|----|----|----------|----------------|------------|----|---|--------|----|----|----|----|----|----|----|----|----|----|----|----|--|----|----|----|----|----|----|----|---|----------|----------------|------------|----|---|--------|----|----|----|----|----|----|----|----|----|----|----|----|--|----|----|----|----|----|----|----|--|--|--|--|----|--|----|----|----|----|----|----|----|----|----|----|----|----|----|--|----|----|--|--|--|--|--|--|--|--|--|----|--|----|--|----|----|----|----|----|---|---|----|----|----|---|--|----|--|--|--|--|--|--|--|--|--|--|--|--|----|--|----|----|----|----|----|---|---|--|--|---|---|--|---|
| | | MATERIAL/PART | WIRE DRESS OPTION | KEY OPTION | COLOR | NUMBERS INDICATE CAVITIES OPEN FOR CIRCUITS | | | | | | | | | | | | | | | | | | | | | | | | | | | | | | | | | | | | | | | | | | | | | | | | | | | | | | | | | | | | | | | | | | | | | | | | | | | | | | | | | | | | | | | | | | | | | | | | | | | | | | | | | | | | | | | | | | | | | | | | | | | | | | | | | | | | | | | | | | | | | | | | | | | | | | | | | | | | | | | | | | | | | | | | | | | | | | | | | | | | | | | | | | | | | | | | | | | | | | | | | | | | | | | | | | | | | | | | | | | | | | | | | | | | | | | | | | | | | | | | | | | | | | | | | | | | | | | | | | | | | | | | | | | | | | | | | | | | | | | | | | | | | | | | | | | | | | | | | | | | | | | | | | | | | | | | | | | | | | | | | | | | | | | | | | | | | | | | | | | | | | | | | | | | | | | | | | | | | | | | | | | | | | | | | | | | | | | | | | | | | | | | | | | | | | | | | | | | | | | | | | | | | | | | | | | | | | | | | | | | | | | | | | | | | | | | | | | | | | | | | | | | | | | | | | | | | | | | | | | | | | | | | | | | | | | | | | | | | | | | | | | | | | | | | | | | | | | | | | | | | | | | | | | | | | | | | | | | | | | | | | | | | | | | | | | | | | | | | | | | | | | | | | | | | | | | | | | | | | | | | | | | | | | | | | | | | | | | | | | | | | | | | | | | | | | | | | | | | | | | | | | | | | | | | | | | | | | | | | | | | | | | | | | | | | | | | | | | | | | | | | | | | | | | | | | | | | | | | | | | | | | | | | | | | | | | | | | | | | | | | | | | | | | | | | | | | | | | | | | | | | | | | | | | | | | | | | | | | | | | | | | | | | | | | | | | | | | | | | | | | | | | | | | | | | | | | | | | | | | | | | | | | | | | | | | | | | | | | | | | | | | | | | | | | | | | | | | | | | | | | | | | | | | | | | | | | | | | | | | | | | | | | | | | | | | | | | | | | | | | | | | | | | | | | | | | | | | | | | | | | | | | | | | | | | | | | | | | | | | | | | | | | | | | | | | | | | | | | | | | | | | | | | | | | | | | | | | | | | | | | | | | | | | | | | | | | | | | | | | | | | | | | | | | | | | | | | | | | | | | | | | | | | | | | | | | | | | | | | | | | | | | | | | | | | | | | | | | | | | | | | | | | | | | | | | | | | | | | | | | | | | | | | | | | | | | | | | | | | | | | | | | | | | | | | | | | | | | | | | | | | | | | | | | | | | | | | | | | | | | | | | | | | | | | | | | | | | | | | | | | | | | | | | | | | | | | | | | | | | | | | | | | | | | | | | | | | | | | | | | | | | | | | | | | | | | | | | | | | | | | | | | | | | | | | | | | | | | | | | | | | | | | | | | | | | | | | | | | | | | | | | | | | | | | | | | | | | | | | | | | | | | | | | | | | | | | | | | | | | | | | | | | | | | | | | | | | | | | | | | | | | | | | | | | | | | | | | | | | | | | | | | | | | | | | | | | | | | | | | | | | | | | | | | | | | | | | | | | | | | | | | | | | | | | | | | | | | | | | | | | | | | | | | | | | | | | | | | | | | | | | | | | | | | | | | | | | | | | | | | | | | | |
| | | NUMBER | | OPTION | OPTION | <div style="text-align: center;"> </div> | | | | | | | | | | | | | | | | | | | | | | | | | | | | | | | | | | | | | | | | | | | | | | | | | | | | | | | | | | | | | | | | | | | | | | | | | | | | | | | | | | | | | | | | | | | | | | | | | | | | | | | | | | | | | | | | | | | | | | | | | | | | | | | | | | | | | | | | | | | | | | | | | | | | | | | | | | | | | | | | | | | | | | | | | | | | | | | | | | | | | | | | | | | | | | | | | | | | | | | | | | | | | | | | | | | | | | | | | | | | | | | | | | | | | | | | | | | | | | | | | | | | | | | | | | | | | | | | | | | | | | | | | | | | | | | | | | | | | | | | | | | | | | | | | | | | | | | | | | | | | | | | | | | | | | | | | | | | | | | | | | | | | | | | | | | | | | | | | | | | | | | | | | | | | | | | | | | | | | | | | | | | | | | | | | | | | | | | | | | | | | | | | | | | | | | | | | | | | | | | | | | | | | | | | | | | | | | | | | | | | | | | | | | | | | | | | | | | | | | | | | | | | | | | | | | | | | | | | | | | | | | | | | | | | | | | | | | | | | | | | | | | | | | | | | | | | | | | | | | | | | | | | | | | | | | | | | | | | | | | | | | | | | | | | | | | | | | | | | | | | | | | | | | | | | | | | | | | | | | | | | | | | | | | | | | | | | | | | | | | | | | | | | | | | | | | | | | | | | | | | | | | | | | | | | | | | | | | | | | | | | | | | | | | | | | | | | | | | | | | | | | | | | | | | | | | | | | | | | | | | | | | | | | | | | | | | | | | | | | | | | | | | | | | | | | | | | | | | | | | | | | | | | | | | | | | | | | | | | | | | | | | | | | | | | | | | | | | | | | | | | | | | | | | | | | | | | | | | | | | | | | | | | | | | | | | | | | | | | | | | | | | | | | | | | | | | | | | | | | | | | | | | | | | | | | | | | | | | | | | | | | | | | | | | | | | | | | | | | | | | | | | | | | | | | | | | | | | | | | | | | | | | | | | | | | | | | | | | | | | | | | | | | | | | | | | | | | | | | | | | | | | | | | | | | | | | | | | | | | | | | | | | | | | | | | | | | | | | | | | | | | | | | | | | | | | | | | | | | | | | | | | | | | | | | | | | | | | | | | | | | | | | | | | | | | | | | | | | | | | | | | | | | | | | | | | | | | | | | | | | | | | | | | | | | | | | | | | | | | | | | | | | | | | | | | | | | | | | | | | | | | | | | | | | | | | | | | | | | | | | | | | | | | | | | | | | | | | | | | | | | | | | | | | | | | | | | | | | | | | | | | | | | | | | | | | | | | | | | | | | | | | | | | | | | | | | | | | | | | | | | | | | | | | | | | | | | | | | | | | | | | | | | | | | | | | | | | | | | | | | | | | | | | | | | | | | | | | | | | | | | | | | | | | | | | | | | | | | | | | | | | | | | | | | | | | | | | | | | | | | | | | | | | | | | | | | | | | | | | | | | | | | | | | | | | | | | | | | | | | | | | | | | | | | | | | | | | | | | | | | | | | | | | | | | | | | | | | | | | | | | | | | | | | | | | | | | | | | | | | | | | | | | | | | | | | | | | | | | | | | | | | |
| SALEABLE | NOT APPLICABLE | 34566-0114 | 0 | B | ST GRN | 72 | 71 | 70 | 69 | | | | | 64 | 63 | | 61 | | | 58 | 57 | 56 | 55 | | | | | | | | | | 52 | 51 | 50 | 49 | | | | | | 43 | | | | | 38 | 37 | 36 | | | | 33 | | | | | | | 73 | | | | 32 | | 30 | 29 | 28 | | 26 | 25 | 24 | 23 | 22 | 21 | 20 | | | | | | | | | | | | | | | 16 | 15 | 14 | 13 | 12 | 11 | 10 | 9 | 8 | 7 | 6 | 5 | 4 | | | | 1 | SALEABLE | NOT APPLICABLE | 34566-0124 | 0 | B | ST GRN | 72 | | | | | | | | | | 62 | 61 | 60 | 59 | | | | 55 | | | | | | | | | 52 | | | | 48 | 47 | 46 | | | | | | 40 | | | | | | | 33 | | | | | | | 73 | | | | | | 30 | | | | | | | | 22 | 21 | 20 | 19 | 18 | 17 | | | | | | | | | | | 16 | 15 | 14 | | | | | | | | 6 | | 4 | 3 | | | SALEABLE | NOT APPLICABLE | 34566-0134 | 0 | B | ST GRN | 72 | | | | | | | | | 62 | 61 | 60 | 59 | | | | 55 | | | | | | | | | 52 | | | | 48 | 47 | 46 | | | | 41 | 40 | | 38 | 37 | 36 | 35 | | | | | | | | | 73 | | | | | | 30 | | | | | | | 22 | 21 | 20 | 19 | 18 | | | | | | | | | | | | 16 | 15 | 14 | | | | | | | 6 | | 4 | 3 | | 1 | SALEABLE | NOT APPLICABLE | 34566-0144 | 9 | B | ST GRN | | | | | | | | | 66 | | | | 41 | | 58 | | | | | | | | | | | | | | | | | | | | | | | | 38 | 37 | | | | | | | | | | | 73 | | | | | | | | | | | | | | | | | 20 | 19 | 18 | 17 | | | | | | | | | | | | | | | | | | 8 | | | 5 | | 4 | | | 1 | SALEABLE | NOT APPLICABLE | 34822-0663 | 9 | C | BLUE | | | | | 61 | 60 | | 58 | | | 54 | | | | | | | | | | | | | | | | | | | | 44 | 43 | | | | | | 37 | | | | | | | | | | | | | 65 | | | | | | | | | | | | | | | | 21 | 20 | 19 | | | | | | | | | | | | | | 31 | | | | | | | | | 5 | 4 | | | SALEABLE | NOT APPLICABLE | 34822-0673 | 0 | A | BLACK | 64 | | | | | | | 58 | 57 | 56 | 55 | | | 52 | 51 | 50 | | | | | | | | | 48 | 47 | 46 | 45 | 44 | 43 | 42 | 41 | 40 | 39 | | | 36 | | 34 | | | | | | | | | | | 65 | | | | 32 | | 30 | 29 | | 27 | 26 | 25 | | | | | | | | | | | | | | | | | | 16 | | | | 12 | 11 | 10 | 9 | | 6 | 5 | | | | | SALEABLE | NOT APPLICABLE | 34822-0683 | 9 | A | BLACK | | 63 | 62 | 61 | 60 | 59 | | | | | 54 | 53 | | | | | 49 | | | | | | | | | | | | 44 | | | | | | 38 | 37 | | 35 | | 33 | | | | | | | | | 65 | | | | | 31 | | | 28 | | | | 24 | 23 | 22 | 21 | 20 | 19 | 18 | 17 | | | | | | | | | | | | 15 | 14 | 13 | | | | | 8 | 7 | | | 4 | 3 | 2 | 1 | SALEABLE | NOT APPLICABLE | 34822-0693 | 9 | C | BLUE | | | | | 62 | 61 | | | 58 | | | 54 | | | | | | | | | | | | | | | | | | 44 | 43 | | 41 | 40 | | | | | | | | | | | | | | | 65 | | | | | | 31 | | | | | | | | | | 20 | 19 | | | | | | | | | | | | | | | | | | | | | | | 5 | 4 | | | SALEABLE | NOT APPLICABLE | 34566-0154 | 9 | B | ST GRN | 72 | 71 | 70 | 69 | 68 | 67 | 66 | 65 | 64 | 63 | 62 | 61 | 60 | 59 | 57 | 56 | 55 | 54 | 53 | | | | | | | 52 | 51 | 50 | 49 | 48 | 47 | 46 | 45 | 44 | 43 | 42 | 41 | 40 | 39 | | 36 | 35 | 34 | 33 | | | | | | | 73 | | | | 32 | 31 | 30 | 29 | 28 | 27 | 26 | 25 | 24 | 23 | 22 | 21 | | | | | | | | | | | | | | 16 | 15 | 14 | 13 | 12 | 11 | 10 | 9 | 8 | 7 | 6 | | | 3 | 2 | SALEABLE | NOT APPLICABLE | 34566-0164 | 0 | G | BLUE | 80 | 79 | 78 | 77 | | | 75 | | | | | | | | 66 | 65 | 64 | | 62 | | | | | | | | | | | | | | | | | | | | | 46 | | 44 | 43 | 42 | 41 | | | | | | | | | | | | | | | | | | | | | | | | | | | | | | | | | | | | | | | | | | | | | | 26 | 25 | 24 | | 22 | 21 | | | | | | | | | | | | | | | | | | | | | | | | | | | | | | | | | | | | | | | | | | | | | | | | | | | | | | | | | | | | | | | | | | | | | | | | | | | | | | | | | | | | | | | | | | | | | | | | | | | | | | | | | | | | | | | | | | | | | | | | | | | | | | | | | | | | | | | | | | | | | | | | | | | | | | | | | | | | | | | | | | | | | | | | | | | | | | | | SALEABLE | NOT APPLICABLE | 34566-0174 | 9 | B | ST GRN | 72 | 71 | 70 | | | | 67 | 66 | | | | | 60 | | | | | | | | | | | | 52 | 51 | 50 | | | | 47 | 46 | | | | | | 39 | | 37 | | 35 | 33 | | | | | | | 73 | | | | | | 30 | 29 | 28 | | | 25 | 24 | 23 | 22 | | 20 | 19 | | 17 | | | | | | | | | | | | | | | | | | | | | 8 | 7 | | 3 | 1 | SALEABLE | NOT APPLICABLE | 34566-0184 | 9 | B | ST GRN | 72 | 71 | 70 | 69 | 68 | 67 | 66 | 65 | 64 | 63 | | 61 | | | 58 | 57 | 56 | 55 | 54 | 53 | | | | | | | 52 | 51 | 50 | 49 | 48 | 47 | 46 | 45 | 44 | 43 | 42 | 41 | 40 | | 37 | 36 | | | | | | | | | | 73 | | | | 32 | | 30 | 29 | 28 | | | 26 | 25 | 24 | | | 21 | | | | | | | | | | | | | 16 | | 14 | 13 | 12 | 11 | 10 | 9 | 8 | | | 6 | 5 | | 1 |
| | | | | | | 52 | 51 | 50 | 49 | | | | | | 43 | | | | | 38 | 37 | 36 | | | | 33 | | | | | | | 73 | | | | 32 | | 30 | 29 | 28 | | 26 | 25 | 24 | 23 | 22 | 21 | 20 | | | | | | | | | | | | | | | 16 | 15 | 14 | 13 | 12 | 11 | 10 | 9 | 8 | 7 | 6 | 5 | 4 | | | | 1 | SALEABLE | NOT APPLICABLE | 34566-0124 | 0 | B | ST GRN | 72 | | | | | | | | | | 62 | 61 | 60 | 59 | | | | 55 | | | | | | | | | 52 | | | | 48 | 47 | 46 | | | | | | 40 | | | | | | | 33 | | | | | | | 73 | | | | | | 30 | | | | | | | | 22 | 21 | 20 | 19 | 18 | 17 | | | | | | | | | | | 16 | 15 | 14 | | | | | | | | 6 | | 4 | 3 | | | SALEABLE | NOT APPLICABLE | 34566-0134 | 0 | B | ST GRN | 72 | | | | | | | | | 62 | 61 | 60 | 59 | | | | 55 | | | | | | | | | 52 | | | | 48 | 47 | 46 | | | | 41 | 40 | | 38 | 37 | 36 | 35 | | | | | | | | | 73 | | | | | | 30 | | | | | | | 22 | 21 | 20 | 19 | 18 | | | | | | | | | | | | 16 | 15 | 14 | | | | | | | 6 | | 4 | 3 | | 1 | SALEABLE | NOT APPLICABLE | 34566-0144 | 9 | B | ST GRN | | | | | | | | | 66 | | | | 41 | | 58 | | | | | | | | | | | | | | | | | | | | | | | | 38 | 37 | | | | | | | | | | | 73 | | | | | | | | | | | | | | | | | 20 | 19 | 18 | 17 | | | | | | | | | | | | | | | | | | 8 | | | 5 | | 4 | | | 1 | SALEABLE | NOT APPLICABLE | 34822-0663 | 9 | C | BLUE | | | | | 61 | 60 | | 58 | | | 54 | | | | | | | | | | | | | | | | | | | | 44 | 43 | | | | | | 37 | | | | | | | | | | | | | 65 | | | | | | | | | | | | | | | | 21 | 20 | 19 | | | | | | | | | | | | | | 31 | | | | | | | | | 5 | 4 | | | SALEABLE | NOT APPLICABLE | 34822-0673 | 0 | A | BLACK | 64 | | | | | | | 58 | 57 | 56 | 55 | | | 52 | 51 | 50 | | | | | | | | | 48 | 47 | 46 | 45 | 44 | 43 | 42 | 41 | 40 | 39 | | | 36 | | 34 | | | | | | | | | | | 65 | | | | 32 | | 30 | 29 | | 27 | 26 | 25 | | | | | | | | | | | | | | | | | | 16 | | | | 12 | 11 | 10 | 9 | | 6 | 5 | | | | | SALEABLE | NOT APPLICABLE | 34822-0683 | 9 | A | BLACK | | 63 | 62 | 61 | 60 | 59 | | | | | 54 | 53 | | | | | 49 | | | | | | | | | | | | 44 | | | | | | 38 | 37 | | 35 | | 33 | | | | | | | | | 65 | | | | | 31 | | | 28 | | | | 24 | 23 | 22 | 21 | 20 | 19 | 18 | 17 | | | | | | | | | | | | 15 | 14 | 13 | | | | | 8 | 7 | | | 4 | 3 | 2 | 1 | SALEABLE | NOT APPLICABLE | 34822-0693 | 9 | C | BLUE | | | | | 62 | 61 | | | 58 | | | 54 | | | | | | | | | | | | | | | | | | 44 | 43 | | 41 | 40 | | | | | | | | | | | | | | | 65 | | | | | | 31 | | | | | | | | | | 20 | 19 | | | | | | | | | | | | | | | | | | | | | | | 5 | 4 | | | SALEABLE | NOT APPLICABLE | 34566-0154 | 9 | B | ST GRN | 72 | 71 | 70 | 69 | 68 | 67 | 66 | 65 | 64 | 63 | 62 | 61 | 60 | 59 | 57 | 56 | 55 | 54 | 53 | | | | | | | 52 | 51 | 50 | 49 | 48 | 47 | 46 | 45 | 44 | 43 | 42 | 41 | 40 | 39 | | 36 | 35 | 34 | 33 | | | | | | | 73 | | | | 32 | 31 | 30 | 29 | 28 | 27 | 26 | 25 | 24 | 23 | 22 | 21 | | | | | | | | | | | | | | 16 | 15 | 14 | 13 | 12 | 11 | 10 | 9 | 8 | 7 | 6 | | | 3 | 2 | SALEABLE | NOT APPLICABLE | 34566-0164 | 0 | G | BLUE | 80 | 79 | 78 | 77 | | | 75 | | | | | | | | 66 | 65 | 64 | | 62 | | | | | | | | | | | | | | | | | | | | | 46 | | 44 | 43 | 42 | 41 | | | | | | | | | | | | | | | | | | | | | | | | | | | | | | | | | | | | | | | | | | | | | | 26 | 25 | 24 | | 22 | 21 | | | | | | | | | | | | | | | | | | | | | | | | | | | | | | | | | | | | | | | | | | | | | | | | | | | | | | | | | | | | | | | | | | | | | | | | | | | | | | | | | | | | | | | | | | | | | | | | | | | | | | | | | | | | | | | | | | | | | | | | | | | | | | | | | | | | | | | | | | | | | | | | | | | | | | | | | | | | | | | | | | | | | | | | | | | | | | | | SALEABLE | NOT APPLICABLE | 34566-0174 | 9 | B | ST GRN | 72 | 71 | 70 | | | | 67 | 66 | | | | | 60 | | | | | | | | | | | | 52 | 51 | 50 | | | | 47 | 46 | | | | | | 39 | | 37 | | 35 | 33 | | | | | | | 73 | | | | | | 30 | 29 | 28 | | | 25 | 24 | 23 | 22 | | 20 | 19 | | 17 | | | | | | | | | | | | | | | | | | | | | 8 | 7 | | 3 | 1 | SALEABLE | NOT APPLICABLE | 34566-0184 | 9 | B | ST GRN | 72 | 71 | 70 | 69 | 68 | 67 | 66 | 65 | 64 | 63 | | 61 | | | 58 | 57 | 56 | 55 | 54 | 53 | | | | | | | 52 | 51 | 50 | 49 | 48 | 47 | 46 | 45 | 44 | 43 | 42 | 41 | 40 | | 37 | 36 | | | | | | | | | | 73 | | | | 32 | | 30 | 29 | 28 | | | 26 | 25 | 24 | | | 21 | | | | | | | | | | | | | 16 | | 14 | 13 | 12 | 11 | 10 | 9 | 8 | | | 6 | 5 | | 1 | | | | | | | | | | | | | | | | | | | | | | | | | | | |
| | | | | | | 73 | | | | 32 | | 30 | 29 | 28 | | 26 | 25 | 24 | 23 | 22 | 21 | 20 | | | | | | | | | | | | | | | 16 | 15 | 14 | 13 | 12 | 11 | 10 | 9 | 8 | 7 | 6 | 5 | 4 | | | | 1 | SALEABLE | NOT APPLICABLE | 34566-0124 | 0 | B | ST GRN | 72 | | | | | | | | | | 62 | 61 | 60 | 59 | | | | 55 | | | | | | | | | 52 | | | | 48 | 47 | 46 | | | | | | 40 | | | | | | | 33 | | | | | | | 73 | | | | | | 30 | | | | | | | | 22 | 21 | 20 | 19 | 18 | 17 | | | | | | | | | | | 16 | 15 | 14 | | | | | | | | 6 | | 4 | 3 | | | SALEABLE | NOT APPLICABLE | 34566-0134 | 0 | B | ST GRN | 72 | | | | | | | | | 62 | 61 | 60 | 59 | | | | 55 | | | | | | | | | 52 | | | | 48 | 47 | 46 | | | | 41 | 40 | | 38 | 37 | 36 | 35 | | | | | | | | | 73 | | | | | | 30 | | | | | | | 22 | 21 | 20 | 19 | 18 | | | | | | | | | | | | 16 | 15 | 14 | | | | | | | 6 | | 4 | 3 | | 1 | SALEABLE | NOT APPLICABLE | 34566-0144 | 9 | B | ST GRN | | | | | | | | | 66 | | | | 41 | | 58 | | | | | | | | | | | | | | | | | | | | | | | | 38 | 37 | | | | | | | | | | | 73 | | | | | | | | | | | | | | | | | 20 | 19 | 18 | 17 | | | | | | | | | | | | | | | | | | 8 | | | 5 | | 4 | | | 1 | SALEABLE | NOT APPLICABLE | 34822-0663 | 9 | C | BLUE | | | | | 61 | 60 | | 58 | | | 54 | | | | | | | | | | | | | | | | | | | | 44 | 43 | | | | | | 37 | | | | | | | | | | | | | 65 | | | | | | | | | | | | | | | | 21 | 20 | 19 | | | | | | | | | | | | | | 31 | | | | | | | | | 5 | 4 | | | SALEABLE | NOT APPLICABLE | 34822-0673 | 0 | A | BLACK | 64 | | | | | | | 58 | 57 | 56 | 55 | | | 52 | 51 | 50 | | | | | | | | | 48 | 47 | 46 | 45 | 44 | 43 | 42 | 41 | 40 | 39 | | | 36 | | 34 | | | | | | | | | | | 65 | | | | 32 | | 30 | 29 | | 27 | 26 | 25 | | | | | | | | | | | | | | | | | | 16 | | | | 12 | 11 | 10 | 9 | | 6 | 5 | | | | | SALEABLE | NOT APPLICABLE | 34822-0683 | 9 | A | BLACK | | 63 | 62 | 61 | 60 | 59 | | | | | 54 | 53 | | | | | 49 | | | | | | | | | | | | 44 | | | | | | 38 | 37 | | 35 | | 33 | | | | | | | | | 65 | | | | | 31 | | | 28 | | | | 24 | 23 | 22 | 21 | 20 | 19 | 18 | 17 | | | | | | | | | | | | 15 | 14 | 13 | | | | | 8 | 7 | | | 4 | 3 | 2 | 1 | SALEABLE | NOT APPLICABLE | 34822-0693 | 9 | C | BLUE | | | | | 62 | 61 | | | 58 | | | 54 | | | | | | | | | | | | | | | | | | 44 | 43 | | 41 | 40 | | | | | | | | | | | | | | | 65 | | | | | | 31 | | | | | | | | | | 20 | 19 | | | | | | | | | | | | | | | | | | | | | | | 5 | 4 | | | SALEABLE | NOT APPLICABLE | 34566-0154 | 9 | B | ST GRN | 72 | 71 | 70 | 69 | 68 | 67 | 66 | 65 | 64 | 63 | 62 | 61 | 60 | 59 | 57 | 56 | 55 | 54 | 53 | | | | | | | 52 | 51 | 50 | 49 | 48 | 47 | 46 | 45 | 44 | 43 | 42 | 41 | 40 | 39 | | 36 | 35 | 34 | 33 | | | | | | | 73 | | | | 32 | 31 | 30 | 29 | 28 | 27 | 26 | 25 | 24 | 23 | 22 | 21 | | | | | | | | | | | | | | 16 | 15 | 14 | 13 | 12 | 11 | 10 | 9 | 8 | 7 | 6 | | | 3 | 2 | SALEABLE | NOT APPLICABLE | 34566-0164 | 0 | G | BLUE | 80 | 79 | 78 | 77 | | | 75 | | | | | | | | 66 | 65 | 64 | | 62 | | | | | | | | | | | | | | | | | | | | | 46 | | 44 | 43 | 42 | 41 | | | | | | | | | | | | | | | | | | | | | | | | | | | | | | | | | | | | | | | | | | | | | | 26 | 25 | 24 | | 22 | 21 | | | | | | | | | | | | | | | | | | | | | | | | | | | | | | | | | | | | | | | | | | | | | | | | | | | | | | | | | | | | | | | | | | | | | | | | | | | | | | | | | | | | | | | | | | | | | | | | | | | | | | | | | | | | | | | | | | | | | | | | | | | | | | | | | | | | | | | | | | | | | | | | | | | | | | | | | | | | | | | | | | | | | | | | | | | | | | | | SALEABLE | NOT APPLICABLE | 34566-0174 | 9 | B | ST GRN | 72 | 71 | 70 | | | | 67 | 66 | | | | | 60 | | | | | | | | | | | | 52 | 51 | 50 | | | | 47 | 46 | | | | | | 39 | | 37 | | 35 | 33 | | | | | | | 73 | | | | | | 30 | 29 | 28 | | | 25 | 24 | 23 | 22 | | 20 | 19 | | 17 | | | | | | | | | | | | | | | | | | | | | 8 | 7 | | 3 | 1 | SALEABLE | NOT APPLICABLE | 34566-0184 | 9 | B | ST GRN | 72 | 71 | 70 | 69 | 68 | 67 | 66 | 65 | 64 | 63 | | 61 | | | 58 | 57 | 56 | 55 | 54 | 53 | | | | | | | 52 | 51 | 50 | 49 | 48 | 47 | 46 | 45 | 44 | 43 | 42 | 41 | 40 | | 37 | 36 | | | | | | | | | | 73 | | | | 32 | | 30 | 29 | 28 | | | 26 | 25 | 24 | | | 21 | | | | | | | | | | | | | 16 | | 14 | 13 | 12 | 11 | 10 | 9 | 8 | | | 6 | 5 | | 1 | | | | | | | | | | | | | | | | | | | | | | | | | | | | | | | | | | | | | | | | | | | | | | | | | | | | | | |
| | | | | | | | | | | 16 | 15 | 14 | 13 | 12 | 11 | 10 | 9 | 8 | 7 | 6 | 5 | 4 | | | | 1 | SALEABLE | NOT APPLICABLE | 34566-0124 | 0 | B | ST GRN | 72 | | | | | | | | | | 62 | 61 | 60 | 59 | | | | 55 | | | | | | | | | 52 | | | | 48 | 47 | 46 | | | | | | 40 | | | | | | | 33 | | | | | | | 73 | | | | | | 30 | | | | | | | | 22 | 21 | 20 | 19 | 18 | 17 | | | | | | | | | | | 16 | 15 | 14 | | | | | | | | 6 | | 4 | 3 | | | SALEABLE | NOT APPLICABLE | 34566-0134 | 0 | B | ST GRN | 72 | | | | | | | | | 62 | 61 | 60 | 59 | | | | 55 | | | | | | | | | 52 | | | | 48 | 47 | 46 | | | | 41 | 40 | | 38 | 37 | 36 | 35 | | | | | | | | | 73 | | | | | | 30 | | | | | | | 22 | 21 | 20 | 19 | 18 | | | | | | | | | | | | 16 | 15 | 14 | | | | | | | 6 | | 4 | 3 | | 1 | SALEABLE | NOT APPLICABLE | 34566-0144 | 9 | B | ST GRN | | | | | | | | | 66 | | | | 41 | | 58 | | | | | | | | | | | | | | | | | | | | | | | | 38 | 37 | | | | | | | | | | | 73 | | | | | | | | | | | | | | | | | 20 | 19 | 18 | 17 | | | | | | | | | | | | | | | | | | 8 | | | 5 | | 4 | | | 1 | SALEABLE | NOT APPLICABLE | 34822-0663 | 9 | C | BLUE | | | | | 61 | 60 | | 58 | | | 54 | | | | | | | | | | | | | | | | | | | | 44 | 43 | | | | | | 37 | | | | | | | | | | | | | 65 | | | | | | | | | | | | | | | | 21 | 20 | 19 | | | | | | | | | | | | | | 31 | | | | | | | | | 5 | 4 | | | SALEABLE | NOT APPLICABLE | 34822-0673 | 0 | A | BLACK | 64 | | | | | | | 58 | 57 | 56 | 55 | | | 52 | 51 | 50 | | | | | | | | | 48 | 47 | 46 | 45 | 44 | 43 | 42 | 41 | 40 | 39 | | | 36 | | 34 | | | | | | | | | | | 65 | | | | 32 | | 30 | 29 | | 27 | 26 | 25 | | | | | | | | | | | | | | | | | | 16 | | | | 12 | 11 | 10 | 9 | | 6 | 5 | | | | | SALEABLE | NOT APPLICABLE | 34822-0683 | 9 | A | BLACK | | 63 | 62 | 61 | 60 | 59 | | | | | 54 | 53 | | | | | 49 | | | | | | | | | | | | 44 | | | | | | 38 | 37 | | 35 | | 33 | | | | | | | | | 65 | | | | | 31 | | | 28 | | | | 24 | 23 | 22 | 21 | 20 | 19 | 18 | 17 | | | | | | | | | | | | 15 | 14 | 13 | | | | | 8 | 7 | | | 4 | 3 | 2 | 1 | SALEABLE | NOT APPLICABLE | 34822-0693 | 9 | C | BLUE | | | | | 62 | 61 | | | 58 | | | 54 | | | | | | | | | | | | | | | | | | 44 | 43 | | 41 | 40 | | | | | | | | | | | | | | | 65 | | | | | | 31 | | | | | | | | | | 20 | 19 | | | | | | | | | | | | | | | | | | | | | | | 5 | 4 | | | SALEABLE | NOT APPLICABLE | 34566-0154 | 9 | B | ST GRN | 72 | 71 | 70 | 69 | 68 | 67 | 66 | 65 | 64 | 63 | 62 | 61 | 60 | 59 | 57 | 56 | 55 | 54 | 53 | | | | | | | 52 | 51 | 50 | 49 | 48 | 47 | 46 | 45 | 44 | 43 | 42 | 41 | 40 | 39 | | 36 | 35 | 34 | 33 | | | | | | | 73 | | | | 32 | 31 | 30 | 29 | 28 | 27 | 26 | 25 | 24 | 23 | 22 | 21 | | | | | | | | | | | | | | 16 | 15 | 14 | 13 | 12 | 11 | 10 | 9 | 8 | 7 | 6 | | | 3 | 2 | SALEABLE | NOT APPLICABLE | 34566-0164 | 0 | G | BLUE | 80 | 79 | 78 | 77 | | | 75 | | | | | | | | 66 | 65 | 64 | | 62 | | | | | | | | | | | | | | | | | | | | | 46 | | 44 | 43 | 42 | 41 | | | | | | | | | | | | | | | | | | | | | | | | | | | | | | | | | | | | | | | | | | | | | | 26 | 25 | 24 | | 22 | 21 | | | | | | | | | | | | | | | | | | | | | | | | | | | | | | | | | | | | | | | | | | | | | | | | | | | | | | | | | | | | | | | | | | | | | | | | | | | | | | | | | | | | | | | | | | | | | | | | | | | | | | | | | | | | | | | | | | | | | | | | | | | | | | | | | | | | | | | | | | | | | | | | | | | | | | | | | | | | | | | | | | | | | | | | | | | | | | | | SALEABLE | NOT APPLICABLE | 34566-0174 | 9 | B | ST GRN | 72 | 71 | 70 | | | | 67 | 66 | | | | | 60 | | | | | | | | | | | | 52 | 51 | 50 | | | | 47 | 46 | | | | | | 39 | | 37 | | 35 | 33 | | | | | | | 73 | | | | | | 30 | 29 | 28 | | | 25 | 24 | 23 | 22 | | 20 | 19 | | 17 | | | | | | | | | | | | | | | | | | | | | 8 | 7 | | 3 | 1 | SALEABLE | NOT APPLICABLE | 34566-0184 | 9 | B | ST GRN | 72 | 71 | 70 | 69 | 68 | 67 | 66 | 65 | 64 | 63 | | 61 | | | 58 | 57 | 56 | 55 | 54 | 53 | | | | | | | 52 | 51 | 50 | 49 | 48 | 47 | 46 | 45 | 44 | 43 | 42 | 41 | 40 | | 37 | 36 | | | | | | | | | | 73 | | | | 32 | | 30 | 29 | 28 | | | 26 | 25 | 24 | | | 21 | | | | | | | | | | | | | 16 | | 14 | 13 | 12 | 11 | 10 | 9 | 8 | | | 6 | 5 | | 1 | | | | | | | | | | | | | | | | | | | | | | | | | | | | | | | | | | | | | | | | | | | | | | | | | | | | | | | | | | | | | | | | | | | | | | | | | | | | | | | | | |
| SALEABLE | NOT APPLICABLE | 34566-0124 | 0 | B | ST GRN | 72 | | | | | | | | | | 62 | 61 | 60 | 59 | | | | 55 | | | | | | | | | 52 | | | | 48 | 47 | 46 | | | | | | 40 | | | | | | | 33 | | | | | | | 73 | | | | | | 30 | | | | | | | | 22 | 21 | 20 | 19 | 18 | 17 | | | | | | | | | | | 16 | 15 | 14 | | | | | | | | 6 | | 4 | 3 | | | SALEABLE | NOT APPLICABLE | 34566-0134 | 0 | B | ST GRN | 72 | | | | | | | | | 62 | 61 | 60 | 59 | | | | 55 | | | | | | | | | 52 | | | | 48 | 47 | 46 | | | | 41 | 40 | | 38 | 37 | 36 | 35 | | | | | | | | | 73 | | | | | | 30 | | | | | | | 22 | 21 | 20 | 19 | 18 | | | | | | | | | | | | 16 | 15 | 14 | | | | | | | 6 | | 4 | 3 | | 1 | SALEABLE | NOT APPLICABLE | 34566-0144 | 9 | B | ST GRN | | | | | | | | | 66 | | | | 41 | | 58 | | | | | | | | | | | | | | | | | | | | | | | | 38 | 37 | | | | | | | | | | | 73 | | | | | | | | | | | | | | | | | 20 | 19 | 18 | 17 | | | | | | | | | | | | | | | | | | 8 | | | 5 | | 4 | | | 1 | SALEABLE | NOT APPLICABLE | 34822-0663 | 9 | C | BLUE | | | | | 61 | 60 | | 58 | | | 54 | | | | | | | | | | | | | | | | | | | | 44 | 43 | | | | | | 37 | | | | | | | | | | | | | 65 | | | | | | | | | | | | | | | | 21 | 20 | 19 | | | | | | | | | | | | | | 31 | | | | | | | | | 5 | 4 | | | SALEABLE | NOT APPLICABLE | 34822-0673 | 0 | A | BLACK | 64 | | | | | | | 58 | 57 | 56 | 55 | | | 52 | 51 | 50 | | | | | | | | | 48 | 47 | 46 | 45 | 44 | 43 | 42 | 41 | 40 | 39 | | | 36 | | 34 | | | | | | | | | | | 65 | | | | 32 | | 30 | 29 | | 27 | 26 | 25 | | | | | | | | | | | | | | | | | | 16 | | | | 12 | 11 | 10 | 9 | | 6 | 5 | | | | | SALEABLE | NOT APPLICABLE | 34822-0683 | 9 | A | BLACK | | 63 | 62 | 61 | 60 | 59 | | | | | 54 | 53 | | | | | 49 | | | | | | | | | | | | 44 | | | | | | 38 | 37 | | 35 | | 33 | | | | | | | | | 65 | | | | | 31 | | | 28 | | | | 24 | 23 | 22 | 21 | 20 | 19 | 18 | 17 | | | | | | | | | | | | 15 | 14 | 13 | | | | | 8 | 7 | | | 4 | 3 | 2 | 1 | SALEABLE | NOT APPLICABLE | 34822-0693 | 9 | C | BLUE | | | | | 62 | 61 | | | 58 | | | 54 | | | | | | | | | | | | | | | | | | 44 | 43 | | 41 | 40 | | | | | | | | | | | | | | | 65 | | | | | | 31 | | | | | | | | | | 20 | 19 | | | | | | | | | | | | | | | | | | | | | | | 5 | 4 | | | SALEABLE | NOT APPLICABLE | 34566-0154 | 9 | B | ST GRN | 72 | 71 | 70 | 69 | 68 | 67 | 66 | 65 | 64 | 63 | 62 | 61 | 60 | 59 | 57 | 56 | 55 | 54 | 53 | | | | | | | 52 | 51 | 50 | 49 | 48 | 47 | 46 | 45 | 44 | 43 | 42 | 41 | 40 | 39 | | 36 | 35 | 34 | 33 | | | | | | | 73 | | | | 32 | 31 | 30 | 29 | 28 | 27 | 26 | 25 | 24 | 23 | 22 | 21 | | | | | | | | | | | | | | 16 | 15 | 14 | 13 | 12 | 11 | 10 | 9 | 8 | 7 | 6 | | | 3 | 2 | SALEABLE | NOT APPLICABLE | 34566-0164 | 0 | G | BLUE | 80 | 79 | 78 | 77 | | | 75 | | | | | | | | 66 | 65 | 64 | | 62 | | | | | | | | | | | | | | | | | | | | | 46 | | 44 | 43 | 42 | 41 | | | | | | | | | | | | | | | | | | | | | | | | | | | | | | | | | | | | | | | | | | | | | | 26 | 25 | 24 | | 22 | 21 | | | | | | | | | | | | | | | | | | | | | | | | | | | | | | | | | | | | | | | | | | | | | | | | | | | | | | | | | | | | | | | | | | | | | | | | | | | | | | | | | | | | | | | | | | | | | | | | | | | | | | | | | | | | | | | | | | | | | | | | | | | | | | | | | | | | | | | | | | | | | | | | | | | | | | | | | | | | | | | | | | | | | | | | | | | | | | | | SALEABLE | NOT APPLICABLE | 34566-0174 | 9 | B | ST GRN | 72 | 71 | 70 | | | | 67 | 66 | | | | | 60 | | | | | | | | | | | | 52 | 51 | 50 | | | | 47 | 46 | | | | | | 39 | | 37 | | 35 | 33 | | | | | | | 73 | | | | | | 30 | 29 | 28 | | | 25 | 24 | 23 | 22 | | 20 | 19 | | 17 | | | | | | | | | | | | | | | | | | | | | 8 | 7 | | 3 | 1 | SALEABLE | NOT APPLICABLE | 34566-0184 | 9 | B | ST GRN | 72 | 71 | 70 | 69 | 68 | 67 | 66 | 65 | 64 | 63 | | 61 | | | 58 | 57 | 56 | 55 | 54 | 53 | | | | | | | 52 | 51 | 50 | 49 | 48 | 47 | 46 | 45 | 44 | 43 | 42 | 41 | 40 | | 37 | 36 | | | | | | | | | | 73 | | | | 32 | | 30 | 29 | 28 | | | 26 | 25 | 24 | | | 21 | | | | | | | | | | | | | 16 | | 14 | 13 | 12 | 11 | 10 | 9 | 8 | | | 6 | 5 | | 1 | | | | | | | | | | | | | | | | | | | | | | | | | | | | | | | | | | | | | | | | | | | | | | | | | | | | | | | | | | | | | | | | | | | | | | | | | | | | | | | | | | | | | | | | | | | | | | | | | | | | | | | | | | | | |
| | | | | | | 52 | | | | 48 | 47 | 46 | | | | | | 40 | | | | | | | 33 | | | | | | | 73 | | | | | | 30 | | | | | | | | 22 | 21 | 20 | 19 | 18 | 17 | | | | | | | | | | | 16 | 15 | 14 | | | | | | | | 6 | | 4 | 3 | | | SALEABLE | NOT APPLICABLE | 34566-0134 | 0 | B | ST GRN | 72 | | | | | | | | | 62 | 61 | 60 | 59 | | | | 55 | | | | | | | | | 52 | | | | 48 | 47 | 46 | | | | 41 | 40 | | 38 | 37 | 36 | 35 | | | | | | | | | 73 | | | | | | 30 | | | | | | | 22 | 21 | 20 | 19 | 18 | | | | | | | | | | | | 16 | 15 | 14 | | | | | | | 6 | | 4 | 3 | | 1 | SALEABLE | NOT APPLICABLE | 34566-0144 | 9 | B | ST GRN | | | | | | | | | 66 | | | | 41 | | 58 | | | | | | | | | | | | | | | | | | | | | | | | 38 | 37 | | | | | | | | | | | 73 | | | | | | | | | | | | | | | | | 20 | 19 | 18 | 17 | | | | | | | | | | | | | | | | | | 8 | | | 5 | | 4 | | | 1 | SALEABLE | NOT APPLICABLE | 34822-0663 | 9 | C | BLUE | | | | | 61 | 60 | | 58 | | | 54 | | | | | | | | | | | | | | | | | | | | 44 | 43 | | | | | | 37 | | | | | | | | | | | | | 65 | | | | | | | | | | | | | | | | 21 | 20 | 19 | | | | | | | | | | | | | | 31 | | | | | | | | | 5 | 4 | | | SALEABLE | NOT APPLICABLE | 34822-0673 | 0 | A | BLACK | 64 | | | | | | | 58 | 57 | 56 | 55 | | | 52 | 51 | 50 | | | | | | | | | 48 | 47 | 46 | 45 | 44 | 43 | 42 | 41 | 40 | 39 | | | 36 | | 34 | | | | | | | | | | | 65 | | | | 32 | | 30 | 29 | | 27 | 26 | 25 | | | | | | | | | | | | | | | | | | 16 | | | | 12 | 11 | 10 | 9 | | 6 | 5 | | | | | SALEABLE | NOT APPLICABLE | 34822-0683 | 9 | A | BLACK | | 63 | 62 | 61 | 60 | 59 | | | | | 54 | 53 | | | | | 49 | | | | | | | | | | | | 44 | | | | | | 38 | 37 | | 35 | | 33 | | | | | | | | | 65 | | | | | 31 | | | 28 | | | | 24 | 23 | 22 | 21 | 20 | 19 | 18 | 17 | | | | | | | | | | | | 15 | 14 | 13 | | | | | 8 | 7 | | | 4 | 3 | 2 | 1 | SALEABLE | NOT APPLICABLE | 34822-0693 | 9 | C | BLUE | | | | | 62 | 61 | | | 58 | | | 54 | | | | | | | | | | | | | | | | | | 44 | 43 | | 41 | 40 | | | | | | | | | | | | | | | 65 | | | | | | 31 | | | | | | | | | | 20 | 19 | | | | | | | | | | | | | | | | | | | | | | | 5 | 4 | | | SALEABLE | NOT APPLICABLE | 34566-0154 | 9 | B | ST GRN | 72 | 71 | 70 | 69 | 68 | 67 | 66 | 65 | 64 | 63 | 62 | 61 | 60 | 59 | 57 | 56 | 55 | 54 | 53 | | | | | | | 52 | 51 | 50 | 49 | 48 | 47 | 46 | 45 | 44 | 43 | 42 | 41 | 40 | 39 | | 36 | 35 | 34 | 33 | | | | | | | 73 | | | | 32 | 31 | 30 | 29 | 28 | 27 | 26 | 25 | 24 | 23 | 22 | 21 | | | | | | | | | | | | | | 16 | 15 | 14 | 13 | 12 | 11 | 10 | 9 | 8 | 7 | 6 | | | 3 | 2 | SALEABLE | NOT APPLICABLE | 34566-0164 | 0 | G | BLUE | 80 | 79 | 78 | 77 | | | 75 | | | | | | | | 66 | 65 | 64 | | 62 | | | | | | | | | | | | | | | | | | | | | 46 | | 44 | 43 | 42 | 41 | | | | | | | | | | | | | | | | | | | | | | | | | | | | | | | | | | | | | | | | | | | | | | 26 | 25 | 24 | | 22 | 21 | | | | | | | | | | | | | | | | | | | | | | | | | | | | | | | | | | | | | | | | | | | | | | | | | | | | | | | | | | | | | | | | | | | | | | | | | | | | | | | | | | | | | | | | | | | | | | | | | | | | | | | | | | | | | | | | | | | | | | | | | | | | | | | | | | | | | | | | | | | | | | | | | | | | | | | | | | | | | | | | | | | | | | | | | | | | | | | | SALEABLE | NOT APPLICABLE | 34566-0174 | 9 | B | ST GRN | 72 | 71 | 70 | | | | 67 | 66 | | | | | 60 | | | | | | | | | | | | 52 | 51 | 50 | | | | 47 | 46 | | | | | | 39 | | 37 | | 35 | 33 | | | | | | | 73 | | | | | | 30 | 29 | 28 | | | 25 | 24 | 23 | 22 | | 20 | 19 | | 17 | | | | | | | | | | | | | | | | | | | | | 8 | 7 | | 3 | 1 | SALEABLE | NOT APPLICABLE | 34566-0184 | 9 | B | ST GRN | 72 | 71 | 70 | 69 | 68 | 67 | 66 | 65 | 64 | 63 | | 61 | | | 58 | 57 | 56 | 55 | 54 | 53 | | | | | | | 52 | 51 | 50 | 49 | 48 | 47 | 46 | 45 | 44 | 43 | 42 | 41 | 40 | | 37 | 36 | | | | | | | | | | 73 | | | | 32 | | 30 | 29 | 28 | | | 26 | 25 | 24 | | | 21 | | | | | | | | | | | | | 16 | | 14 | 13 | 12 | 11 | 10 | 9 | 8 | | | 6 | 5 | | 1 | | | | | | | | | | | | | | | | | | | | | | | | | | | | | | | | | | | | | | | | | | | | | | | | | | | | | | | | | | | | | | | | | | | | | | | | | | | | | | | | | | | | | | | | | | | | | | | | | | | | | | | | | | | | | | | | | | | | | | | | | | | | | | | | | | | | | | |
| | | | | | | 73 | | | | | | 30 | | | | | | | | 22 | 21 | 20 | 19 | 18 | 17 | | | | | | | | | | | 16 | 15 | 14 | | | | | | | | 6 | | 4 | 3 | | | SALEABLE | NOT APPLICABLE | 34566-0134 | 0 | B | ST GRN | 72 | | | | | | | | | 62 | 61 | 60 | 59 | | | | 55 | | | | | | | | | 52 | | | | 48 | 47 | 46 | | | | 41 | 40 | | 38 | 37 | 36 | 35 | | | | | | | | | 73 | | | | | | 30 | | | | | | | 22 | 21 | 20 | 19 | 18 | | | | | | | | | | | | 16 | 15 | 14 | | | | | | | 6 | | 4 | 3 | | 1 | SALEABLE | NOT APPLICABLE | 34566-0144 | 9 | B | ST GRN | | | | | | | | | 66 | | | | 41 | | 58 | | | | | | | | | | | | | | | | | | | | | | | | 38 | 37 | | | | | | | | | | | 73 | | | | | | | | | | | | | | | | | 20 | 19 | 18 | 17 | | | | | | | | | | | | | | | | | | 8 | | | 5 | | 4 | | | 1 | SALEABLE | NOT APPLICABLE | 34822-0663 | 9 | C | BLUE | | | | | 61 | 60 | | 58 | | | 54 | | | | | | | | | | | | | | | | | | | | 44 | 43 | | | | | | 37 | | | | | | | | | | | | | 65 | | | | | | | | | | | | | | | | 21 | 20 | 19 | | | | | | | | | | | | | | 31 | | | | | | | | | 5 | 4 | | | SALEABLE | NOT APPLICABLE | 34822-0673 | 0 | A | BLACK | 64 | | | | | | | 58 | 57 | 56 | 55 | | | 52 | 51 | 50 | | | | | | | | | 48 | 47 | 46 | 45 | 44 | 43 | 42 | 41 | 40 | 39 | | | 36 | | 34 | | | | | | | | | | | 65 | | | | 32 | | 30 | 29 | | 27 | 26 | 25 | | | | | | | | | | | | | | | | | | 16 | | | | 12 | 11 | 10 | 9 | | 6 | 5 | | | | | SALEABLE | NOT APPLICABLE | 34822-0683 | 9 | A | BLACK | | 63 | 62 | 61 | 60 | 59 | | | | | 54 | 53 | | | | | 49 | | | | | | | | | | | | 44 | | | | | | 38 | 37 | | 35 | | 33 | | | | | | | | | 65 | | | | | 31 | | | 28 | | | | 24 | 23 | 22 | 21 | 20 | 19 | 18 | 17 | | | | | | | | | | | | 15 | 14 | 13 | | | | | 8 | 7 | | | 4 | 3 | 2 | 1 | SALEABLE | NOT APPLICABLE | 34822-0693 | 9 | C | BLUE | | | | | 62 | 61 | | | 58 | | | 54 | | | | | | | | | | | | | | | | | | 44 | 43 | | 41 | 40 | | | | | | | | | | | | | | | 65 | | | | | | 31 | | | | | | | | | | 20 | 19 | | | | | | | | | | | | | | | | | | | | | | | 5 | 4 | | | SALEABLE | NOT APPLICABLE | 34566-0154 | 9 | B | ST GRN | 72 | 71 | 70 | 69 | 68 | 67 | 66 | 65 | 64 | 63 | 62 | 61 | 60 | 59 | 57 | 56 | 55 | 54 | 53 | | | | | | | 52 | 51 | 50 | 49 | 48 | 47 | 46 | 45 | 44 | 43 | 42 | 41 | 40 | 39 | | 36 | 35 | 34 | 33 | | | | | | | 73 | | | | 32 | 31 | 30 | 29 | 28 | 27 | 26 | 25 | 24 | 23 | 22 | 21 | | | | | | | | | | | | | | 16 | 15 | 14 | 13 | 12 | 11 | 10 | 9 | 8 | 7 | 6 | | | 3 | 2 | SALEABLE | NOT APPLICABLE | 34566-0164 | 0 | G | BLUE | 80 | 79 | 78 | 77 | | | 75 | | | | | | | | 66 | 65 | 64 | | 62 | | | | | | | | | | | | | | | | | | | | | 46 | | 44 | 43 | 42 | 41 | | | | | | | | | | | | | | | | | | | | | | | | | | | | | | | | | | | | | | | | | | | | | | 26 | 25 | 24 | | 22 | 21 | | | | | | | | | | | | | | | | | | | | | | | | | | | | | | | | | | | | | | | | | | | | | | | | | | | | | | | | | | | | | | | | | | | | | | | | | | | | | | | | | | | | | | | | | | | | | | | | | | | | | | | | | | | | | | | | | | | | | | | | | | | | | | | | | | | | | | | | | | | | | | | | | | | | | | | | | | | | | | | | | | | | | | | | | | | | | | | | SALEABLE | NOT APPLICABLE | 34566-0174 | 9 | B | ST GRN | 72 | 71 | 70 | | | | 67 | 66 | | | | | 60 | | | | | | | | | | | | 52 | 51 | 50 | | | | 47 | 46 | | | | | | 39 | | 37 | | 35 | 33 | | | | | | | 73 | | | | | | 30 | 29 | 28 | | | 25 | 24 | 23 | 22 | | 20 | 19 | | 17 | | | | | | | | | | | | | | | | | | | | | 8 | 7 | | 3 | 1 | SALEABLE | NOT APPLICABLE | 34566-0184 | 9 | B | ST GRN | 72 | 71 | 70 | 69 | 68 | 67 | 66 | 65 | 64 | 63 | | 61 | | | 58 | 57 | 56 | 55 | 54 | 53 | | | | | | | 52 | 51 | 50 | 49 | 48 | 47 | 46 | 45 | 44 | 43 | 42 | 41 | 40 | | 37 | 36 | | | | | | | | | | 73 | | | | 32 | | 30 | 29 | 28 | | | 26 | 25 | 24 | | | 21 | | | | | | | | | | | | | 16 | | 14 | 13 | 12 | 11 | 10 | 9 | 8 | | | 6 | 5 | | 1 | | | | | | | | | | | | | | | | | | | | | | | | | | | | | | | | | | | | | | | | | | | | | | | | | | | | | | | | | | | | | | | | | | | | | | | | | | | | | | | | | | | | | | | | | | | | | | | | | | | | | | | | | | | | | | | | | | | | | | | | | | | | | | | | | | | | | | | | | | | | | | | | | | | | | | | | | | | | | | | | |
| | | | | | | | | | | 16 | 15 | 14 | | | | | | | | 6 | | 4 | 3 | | | SALEABLE | NOT APPLICABLE | 34566-0134 | 0 | B | ST GRN | 72 | | | | | | | | | 62 | 61 | 60 | 59 | | | | 55 | | | | | | | | | 52 | | | | 48 | 47 | 46 | | | | 41 | 40 | | 38 | 37 | 36 | 35 | | | | | | | | | 73 | | | | | | 30 | | | | | | | 22 | 21 | 20 | 19 | 18 | | | | | | | | | | | | 16 | 15 | 14 | | | | | | | 6 | | 4 | 3 | | 1 | SALEABLE | NOT APPLICABLE | 34566-0144 | 9 | B | ST GRN | | | | | | | | | 66 | | | | 41 | | 58 | | | | | | | | | | | | | | | | | | | | | | | | 38 | 37 | | | | | | | | | | | 73 | | | | | | | | | | | | | | | | | 20 | 19 | 18 | 17 | | | | | | | | | | | | | | | | | | 8 | | | 5 | | 4 | | | 1 | SALEABLE | NOT APPLICABLE | 34822-0663 | 9 | C | BLUE | | | | | 61 | 60 | | 58 | | | 54 | | | | | | | | | | | | | | | | | | | | 44 | 43 | | | | | | 37 | | | | | | | | | | | | | 65 | | | | | | | | | | | | | | | | 21 | 20 | 19 | | | | | | | | | | | | | | 31 | | | | | | | | | 5 | 4 | | | SALEABLE | NOT APPLICABLE | 34822-0673 | 0 | A | BLACK | 64 | | | | | | | 58 | 57 | 56 | 55 | | | 52 | 51 | 50 | | | | | | | | | 48 | 47 | 46 | 45 | 44 | 43 | 42 | 41 | 40 | 39 | | | 36 | | 34 | | | | | | | | | | | 65 | | | | 32 | | 30 | 29 | | 27 | 26 | 25 | | | | | | | | | | | | | | | | | | 16 | | | | 12 | 11 | 10 | 9 | | 6 | 5 | | | | | SALEABLE | NOT APPLICABLE | 34822-0683 | 9 | A | BLACK | | 63 | 62 | 61 | 60 | 59 | | | | | 54 | 53 | | | | | 49 | | | | | | | | | | | | 44 | | | | | | 38 | 37 | | 35 | | 33 | | | | | | | | | 65 | | | | | 31 | | | 28 | | | | 24 | 23 | 22 | 21 | 20 | 19 | 18 | 17 | | | | | | | | | | | | 15 | 14 | 13 | | | | | 8 | 7 | | | 4 | 3 | 2 | 1 | SALEABLE | NOT APPLICABLE | 34822-0693 | 9 | C | BLUE | | | | | 62 | 61 | | | 58 | | | 54 | | | | | | | | | | | | | | | | | | 44 | 43 | | 41 | 40 | | | | | | | | | | | | | | | 65 | | | | | | 31 | | | | | | | | | | 20 | 19 | | | | | | | | | | | | | | | | | | | | | | | 5 | 4 | | | SALEABLE | NOT APPLICABLE | 34566-0154 | 9 | B | ST GRN | 72 | 71 | 70 | 69 | 68 | 67 | 66 | 65 | 64 | 63 | 62 | 61 | 60 | 59 | 57 | 56 | 55 | 54 | 53 | | | | | | | 52 | 51 | 50 | 49 | 48 | 47 | 46 | 45 | 44 | 43 | 42 | 41 | 40 | 39 | | 36 | 35 | 34 | 33 | | | | | | | 73 | | | | 32 | 31 | 30 | 29 | 28 | 27 | 26 | 25 | 24 | 23 | 22 | 21 | | | | | | | | | | | | | | 16 | 15 | 14 | 13 | 12 | 11 | 10 | 9 | 8 | 7 | 6 | | | 3 | 2 | SALEABLE | NOT APPLICABLE | 34566-0164 | 0 | G | BLUE | 80 | 79 | 78 | 77 | | | 75 | | | | | | | | 66 | 65 | 64 | | 62 | | | | | | | | | | | | | | | | | | | | | 46 | | 44 | 43 | 42 | 41 | | | | | | | | | | | | | | | | | | | | | | | | | | | | | | | | | | | | | | | | | | | | | | 26 | 25 | 24 | | 22 | 21 | | | | | | | | | | | | | | | | | | | | | | | | | | | | | | | | | | | | | | | | | | | | | | | | | | | | | | | | | | | | | | | | | | | | | | | | | | | | | | | | | | | | | | | | | | | | | | | | | | | | | | | | | | | | | | | | | | | | | | | | | | | | | | | | | | | | | | | | | | | | | | | | | | | | | | | | | | | | | | | | | | | | | | | | | | | | | | | | SALEABLE | NOT APPLICABLE | 34566-0174 | 9 | B | ST GRN | 72 | 71 | 70 | | | | 67 | 66 | | | | | 60 | | | | | | | | | | | | 52 | 51 | 50 | | | | 47 | 46 | | | | | | 39 | | 37 | | 35 | 33 | | | | | | | 73 | | | | | | 30 | 29 | 28 | | | 25 | 24 | 23 | 22 | | 20 | 19 | | 17 | | | | | | | | | | | | | | | | | | | | | 8 | 7 | | 3 | 1 | SALEABLE | NOT APPLICABLE | 34566-0184 | 9 | B | ST GRN | 72 | 71 | 70 | 69 | 68 | 67 | 66 | 65 | 64 | 63 | | 61 | | | 58 | 57 | 56 | 55 | 54 | 53 | | | | | | | 52 | 51 | 50 | 49 | 48 | 47 | 46 | 45 | 44 | 43 | 42 | 41 | 40 | | 37 | 36 | | | | | | | | | | 73 | | | | 32 | | 30 | 29 | 28 | | | 26 | 25 | 24 | | | 21 | | | | | | | | | | | | | 16 | | 14 | 13 | 12 | 11 | 10 | 9 | 8 | | | 6 | 5 | | 1 | | | | | | | | | | | | | | | | | | | | | | | | | | | | | | | | | | | | | | | | | | | | | | | | | | | | | | | | | | | | | | | | | | | | | | | | | | | | | | | | | | | | | | | | | | | | | | | | | | | | | | | | | | | | | | | | | | | | | | | | | | | | | | | | | | | | | | | | | | | | | | | | | | | | | | | | | | | | | | | | | | | | | | | | | | | | | | | | | | | | | | | | | | |
| SALEABLE | NOT APPLICABLE | 34566-0134 | 0 | B | ST GRN | 72 | | | | | | | | | 62 | 61 | 60 | 59 | | | | 55 | | | | | | | | | 52 | | | | 48 | 47 | 46 | | | | 41 | 40 | | 38 | 37 | 36 | 35 | | | | | | | | | 73 | | | | | | 30 | | | | | | | 22 | 21 | 20 | 19 | 18 | | | | | | | | | | | | 16 | 15 | 14 | | | | | | | 6 | | 4 | 3 | | 1 | SALEABLE | NOT APPLICABLE | 34566-0144 | 9 | B | ST GRN | | | | | | | | | 66 | | | | 41 | | 58 | | | | | | | | | | | | | | | | | | | | | | | | 38 | 37 | | | | | | | | | | | 73 | | | | | | | | | | | | | | | | | 20 | 19 | 18 | 17 | | | | | | | | | | | | | | | | | | 8 | | | 5 | | 4 | | | 1 | SALEABLE | NOT APPLICABLE | 34822-0663 | 9 | C | BLUE | | | | | 61 | 60 | | 58 | | | 54 | | | | | | | | | | | | | | | | | | | | 44 | 43 | | | | | | 37 | | | | | | | | | | | | | 65 | | | | | | | | | | | | | | | | 21 | 20 | 19 | | | | | | | | | | | | | | 31 | | | | | | | | | 5 | 4 | | | SALEABLE | NOT APPLICABLE | 34822-0673 | 0 | A | BLACK | 64 | | | | | | | 58 | 57 | 56 | 55 | | | 52 | 51 | 50 | | | | | | | | | 48 | 47 | 46 | 45 | 44 | 43 | 42 | 41 | 40 | 39 | | | 36 | | 34 | | | | | | | | | | | 65 | | | | 32 | | 30 | 29 | | 27 | 26 | 25 | | | | | | | | | | | | | | | | | | 16 | | | | 12 | 11 | 10 | 9 | | 6 | 5 | | | | | SALEABLE | NOT APPLICABLE | 34822-0683 | 9 | A | BLACK | | 63 | 62 | 61 | 60 | 59 | | | | | 54 | 53 | | | | | 49 | | | | | | | | | | | | 44 | | | | | | 38 | 37 | | 35 | | 33 | | | | | | | | | 65 | | | | | 31 | | | 28 | | | | 24 | 23 | 22 | 21 | 20 | 19 | 18 | 17 | | | | | | | | | | | | 15 | 14 | 13 | | | | | 8 | 7 | | | 4 | 3 | 2 | 1 | SALEABLE | NOT APPLICABLE | 34822-0693 | 9 | C | BLUE | | | | | 62 | 61 | | | 58 | | | 54 | | | | | | | | | | | | | | | | | | 44 | 43 | | 41 | 40 | | | | | | | | | | | | | | | 65 | | | | | | 31 | | | | | | | | | | 20 | 19 | | | | | | | | | | | | | | | | | | | | | | | 5 | 4 | | | SALEABLE | NOT APPLICABLE | 34566-0154 | 9 | B | ST GRN | 72 | 71 | 70 | 69 | 68 | 67 | 66 | 65 | 64 | 63 | 62 | 61 | 60 | 59 | 57 | 56 | 55 | 54 | 53 | | | | | | | 52 | 51 | 50 | 49 | 48 | 47 | 46 | 45 | 44 | 43 | 42 | 41 | 40 | 39 | | 36 | 35 | 34 | 33 | | | | | | | 73 | | | | 32 | 31 | 30 | 29 | 28 | 27 | 26 | 25 | 24 | 23 | 22 | 21 | | | | | | | | | | | | | | 16 | 15 | 14 | 13 | 12 | 11 | 10 | 9 | 8 | 7 | 6 | | | 3 | 2 | SALEABLE | NOT APPLICABLE | 34566-0164 | 0 | G | BLUE | 80 | 79 | 78 | 77 | | | 75 | | | | | | | | 66 | 65 | 64 | | 62 | | | | | | | | | | | | | | | | | | | | | 46 | | 44 | 43 | 42 | 41 | | | | | | | | | | | | | | | | | | | | | | | | | | | | | | | | | | | | | | | | | | | | | | 26 | 25 | 24 | | 22 | 21 | | | | | | | | | | | | | | | | | | | | | | | | | | | | | | | | | | | | | | | | | | | | | | | | | | | | | | | | | | | | | | | | | | | | | | | | | | | | | | | | | | | | | | | | | | | | | | | | | | | | | | | | | | | | | | | | | | | | | | | | | | | | | | | | | | | | | | | | | | | | | | | | | | | | | | | | | | | | | | | | | | | | | | | | | | | | | | | | SALEABLE | NOT APPLICABLE | 34566-0174 | 9 | B | ST GRN | 72 | 71 | 70 | | | | 67 | 66 | | | | | 60 | | | | | | | | | | | | 52 | 51 | 50 | | | | 47 | 46 | | | | | | 39 | | 37 | | 35 | 33 | | | | | | | 73 | | | | | | 30 | 29 | 28 | | | 25 | 24 | 23 | 22 | | 20 | 19 | | 17 | | | | | | | | | | | | | | | | | | | | | 8 | 7 | | 3 | 1 | SALEABLE | NOT APPLICABLE | 34566-0184 | 9 | B | ST GRN | 72 | 71 | 70 | 69 | 68 | 67 | 66 | 65 | 64 | 63 | | 61 | | | 58 | 57 | 56 | 55 | 54 | 53 | | | | | | | 52 | 51 | 50 | 49 | 48 | 47 | 46 | 45 | 44 | 43 | 42 | 41 | 40 | | 37 | 36 | | | | | | | | | | 73 | | | | 32 | | 30 | 29 | 28 | | | 26 | 25 | 24 | | | 21 | | | | | | | | | | | | | 16 | | 14 | 13 | 12 | 11 | 10 | 9 | 8 | | | 6 | 5 | | 1 | | | | | | | | | | | | | | | | | | | | | | | | | | | | | | | | | | | | | | | | | | | | | | | | | | | | | | | | | | | | | | | | | | | | | | | | | | | | | | | | | | | | | | | | | | | | | | | | | | | | | | | | | | | | | | | | | | | | | | | | | | | | | | | | | | | | | | | | | | | | | | | | | | | | | | | | | | | | | | | | | | | | | | | | | | | | | | | | | | | | | | | | | | | | | | | | | | | | | | | | | | | | | | | | | | | | |
| | | | | | | 52 | | | | 48 | 47 | 46 | | | | 41 | 40 | | 38 | 37 | 36 | 35 | | | | | | | | | 73 | | | | | | 30 | | | | | | | 22 | 21 | 20 | 19 | 18 | | | | | | | | | | | | 16 | 15 | 14 | | | | | | | 6 | | 4 | 3 | | 1 | SALEABLE | NOT APPLICABLE | 34566-0144 | 9 | B | ST GRN | | | | | | | | | 66 | | | | 41 | | 58 | | | | | | | | | | | | | | | | | | | | | | | | 38 | 37 | | | | | | | | | | | 73 | | | | | | | | | | | | | | | | | 20 | 19 | 18 | 17 | | | | | | | | | | | | | | | | | | 8 | | | 5 | | 4 | | | 1 | SALEABLE | NOT APPLICABLE | 34822-0663 | 9 | C | BLUE | | | | | 61 | 60 | | 58 | | | 54 | | | | | | | | | | | | | | | | | | | | 44 | 43 | | | | | | 37 | | | | | | | | | | | | | 65 | | | | | | | | | | | | | | | | 21 | 20 | 19 | | | | | | | | | | | | | | 31 | | | | | | | | | 5 | 4 | | | SALEABLE | NOT APPLICABLE | 34822-0673 | 0 | A | BLACK | 64 | | | | | | | 58 | 57 | 56 | 55 | | | 52 | 51 | 50 | | | | | | | | | 48 | 47 | 46 | 45 | 44 | 43 | 42 | 41 | 40 | 39 | | | 36 | | 34 | | | | | | | | | | | 65 | | | | 32 | | 30 | 29 | | 27 | 26 | 25 | | | | | | | | | | | | | | | | | | 16 | | | | 12 | 11 | 10 | 9 | | 6 | 5 | | | | | SALEABLE | NOT APPLICABLE | 34822-0683 | 9 | A | BLACK | | 63 | 62 | 61 | 60 | 59 | | | | | 54 | 53 | | | | | 49 | | | | | | | | | | | | 44 | | | | | | 38 | 37 | | 35 | | 33 | | | | | | | | | 65 | | | | | 31 | | | 28 | | | | 24 | 23 | 22 | 21 | 20 | 19 | 18 | 17 | | | | | | | | | | | | 15 | 14 | 13 | | | | | 8 | 7 | | | 4 | 3 | 2 | 1 | SALEABLE | NOT APPLICABLE | 34822-0693 | 9 | C | BLUE | | | | | 62 | 61 | | | 58 | | | 54 | | | | | | | | | | | | | | | | | | 44 | 43 | | 41 | 40 | | | | | | | | | | | | | | | 65 | | | | | | 31 | | | | | | | | | | 20 | 19 | | | | | | | | | | | | | | | | | | | | | | | 5 | 4 | | | SALEABLE | NOT APPLICABLE | 34566-0154 | 9 | B | ST GRN | 72 | 71 | 70 | 69 | 68 | 67 | 66 | 65 | 64 | 63 | 62 | 61 | 60 | 59 | 57 | 56 | 55 | 54 | 53 | | | | | | | 52 | 51 | 50 | 49 | 48 | 47 | 46 | 45 | 44 | 43 | 42 | 41 | 40 | 39 | | 36 | 35 | 34 | 33 | | | | | | | 73 | | | | 32 | 31 | 30 | 29 | 28 | 27 | 26 | 25 | 24 | 23 | 22 | 21 | | | | | | | | | | | | | | 16 | 15 | 14 | 13 | 12 | 11 | 10 | 9 | 8 | 7 | 6 | | | 3 | 2 | SALEABLE | NOT APPLICABLE | 34566-0164 | 0 | G | BLUE | 80 | 79 | 78 | 77 | | | 75 | | | | | | | | 66 | 65 | 64 | | 62 | | | | | | | | | | | | | | | | | | | | | 46 | | 44 | 43 | 42 | 41 | | | | | | | | | | | | | | | | | | | | | | | | | | | | | | | | | | | | | | | | | | | | | | 26 | 25 | 24 | | 22 | 21 | | | | | | | | | | | | | | | | | | | | | | | | | | | | | | | | | | | | | | | | | | | | | | | | | | | | | | | | | | | | | | | | | | | | | | | | | | | | | | | | | | | | | | | | | | | | | | | | | | | | | | | | | | | | | | | | | | | | | | | | | | | | | | | | | | | | | | | | | | | | | | | | | | | | | | | | | | | | | | | | | | | | | | | | | | | | | | | | SALEABLE | NOT APPLICABLE | 34566-0174 | 9 | B | ST GRN | 72 | 71 | 70 | | | | 67 | 66 | | | | | 60 | | | | | | | | | | | | 52 | 51 | 50 | | | | 47 | 46 | | | | | | 39 | | 37 | | 35 | 33 | | | | | | | 73 | | | | | | 30 | 29 | 28 | | | 25 | 24 | 23 | 22 | | 20 | 19 | | 17 | | | | | | | | | | | | | | | | | | | | | 8 | 7 | | 3 | 1 | SALEABLE | NOT APPLICABLE | 34566-0184 | 9 | B | ST GRN | 72 | 71 | 70 | 69 | 68 | 67 | 66 | 65 | 64 | 63 | | 61 | | | 58 | 57 | 56 | 55 | 54 | 53 | | | | | | | 52 | 51 | 50 | 49 | 48 | 47 | 46 | 45 | 44 | 43 | 42 | 41 | 40 | | 37 | 36 | | | | | | | | | | 73 | | | | 32 | | 30 | 29 | 28 | | | 26 | 25 | 24 | | | 21 | | | | | | | | | | | | | 16 | | 14 | 13 | 12 | 11 | 10 | 9 | 8 | | | 6 | 5 | | 1 | | | | | | | | | | | | | | | | | | | | | | | | | | | | | | | | | | | | | | | | | | | | | | | | | | | | | | | | | | | | | | | | | | | | | | | | | | | | | | | | | | | | | | | | | | | | | | | | | | | | | | | | | | | | | | | | | | | | | | | | | | | | | | | | | | | | | | | | | | | | | | | | | | | | | | | | | | | | | | | | | | | | | | | | | | | | | | | | | | | | | | | | | | | | | | | | | | | | | | | | | | | | | | | | | | | | | | | | | | | | | | | | | | | | | | | | | | | | | |
| | | | | | | 73 | | | | | | 30 | | | | | | | 22 | 21 | 20 | 19 | 18 | | | | | | | | | | | | 16 | 15 | 14 | | | | | | | 6 | | 4 | 3 | | 1 | SALEABLE | NOT APPLICABLE | 34566-0144 | 9 | B | ST GRN | | | | | | | | | 66 | | | | 41 | | 58 | | | | | | | | | | | | | | | | | | | | | | | | 38 | 37 | | | | | | | | | | | 73 | | | | | | | | | | | | | | | | | 20 | 19 | 18 | 17 | | | | | | | | | | | | | | | | | | 8 | | | 5 | | 4 | | | 1 | SALEABLE | NOT APPLICABLE | 34822-0663 | 9 | C | BLUE | | | | | 61 | 60 | | 58 | | | 54 | | | | | | | | | | | | | | | | | | | | 44 | 43 | | | | | | 37 | | | | | | | | | | | | | 65 | | | | | | | | | | | | | | | | 21 | 20 | 19 | | | | | | | | | | | | | | 31 | | | | | | | | | 5 | 4 | | | SALEABLE | NOT APPLICABLE | 34822-0673 | 0 | A | BLACK | 64 | | | | | | | 58 | 57 | 56 | 55 | | | 52 | 51 | 50 | | | | | | | | | 48 | 47 | 46 | 45 | 44 | 43 | 42 | 41 | 40 | 39 | | | 36 | | 34 | | | | | | | | | | | 65 | | | | 32 | | 30 | 29 | | 27 | 26 | 25 | | | | | | | | | | | | | | | | | | 16 | | | | 12 | 11 | 10 | 9 | | 6 | 5 | | | | | SALEABLE | NOT APPLICABLE | 34822-0683 | 9 | A | BLACK | | 63 | 62 | 61 | 60 | 59 | | | | | 54 | 53 | | | | | 49 | | | | | | | | | | | | 44 | | | | | | 38 | 37 | | 35 | | 33 | | | | | | | | | 65 | | | | | 31 | | | 28 | | | | 24 | 23 | 22 | 21 | 20 | 19 | 18 | 17 | | | | | | | | | | | | 15 | 14 | 13 | | | | | 8 | 7 | | | 4 | 3 | 2 | 1 | SALEABLE | NOT APPLICABLE | 34822-0693 | 9 | C | BLUE | | | | | 62 | 61 | | | 58 | | | 54 | | | | | | | | | | | | | | | | | | 44 | 43 | | 41 | 40 | | | | | | | | | | | | | | | 65 | | | | | | 31 | | | | | | | | | | 20 | 19 | | | | | | | | | | | | | | | | | | | | | | | 5 | 4 | | | SALEABLE | NOT APPLICABLE | 34566-0154 | 9 | B | ST GRN | 72 | 71 | 70 | 69 | 68 | 67 | 66 | 65 | 64 | 63 | 62 | 61 | 60 | 59 | 57 | 56 | 55 | 54 | 53 | | | | | | | 52 | 51 | 50 | 49 | 48 | 47 | 46 | 45 | 44 | 43 | 42 | 41 | 40 | 39 | | 36 | 35 | 34 | 33 | | | | | | | 73 | | | | 32 | 31 | 30 | 29 | 28 | 27 | 26 | 25 | 24 | 23 | 22 | 21 | | | | | | | | | | | | | | 16 | 15 | 14 | 13 | 12 | 11 | 10 | 9 | 8 | 7 | 6 | | | 3 | 2 | SALEABLE | NOT APPLICABLE | 34566-0164 | 0 | G | BLUE | 80 | 79 | 78 | 77 | | | 75 | | | | | | | | 66 | 65 | 64 | | 62 | | | | | | | | | | | | | | | | | | | | | 46 | | 44 | 43 | 42 | 41 | | | | | | | | | | | | | | | | | | | | | | | | | | | | | | | | | | | | | | | | | | | | | | 26 | 25 | 24 | | 22 | 21 | | | | | | | | | | | | | | | | | | | | | | | | | | | | | | | | | | | | | | | | | | | | | | | | | | | | | | | | | | | | | | | | | | | | | | | | | | | | | | | | | | | | | | | | | | | | | | | | | | | | | | | | | | | | | | | | | | | | | | | | | | | | | | | | | | | | | | | | | | | | | | | | | | | | | | | | | | | | | | | | | | | | | | | | | | | | | | | | SALEABLE | NOT APPLICABLE | 34566-0174 | 9 | B | ST GRN | 72 | 71 | 70 | | | | 67 | 66 | | | | | 60 | | | | | | | | | | | | 52 | 51 | 50 | | | | 47 | 46 | | | | | | 39 | | 37 | | 35 | 33 | | | | | | | 73 | | | | | | 30 | 29 | 28 | | | 25 | 24 | 23 | 22 | | 20 | 19 | | 17 | | | | | | | | | | | | | | | | | | | | | 8 | 7 | | 3 | 1 | SALEABLE | NOT APPLICABLE | 34566-0184 | 9 | B | ST GRN | 72 | 71 | 70 | 69 | 68 | 67 | 66 | 65 | 64 | 63 | | 61 | | | 58 | 57 | 56 | 55 | 54 | 53 | | | | | | | 52 | 51 | 50 | 49 | 48 | 47 | 46 | 45 | 44 | 43 | 42 | 41 | 40 | | 37 | 36 | | | | | | | | | | 73 | | | | 32 | | 30 | 29 | 28 | | | 26 | 25 | 24 | | | 21 | | | | | | | | | | | | | 16 | | 14 | 13 | 12 | 11 | 10 | 9 | 8 | | | 6 | 5 | | 1 | | | | | | | | | | | | | | | | | | | | | | | | | | | | | | | | | | | | | | | | | | | | | | | | | | | | | | | | | | | | | | | | | | | | | | | | | | | | | | | | | | | | | | | | | | | | | | | | | | | | | | | | | | | | | | | | | | | | | | | | | | | | | | | | | | | | | | | | | | | | | | | | | | | | | | | | | | | | | | | | | | | | | | | | | | | | | | | | | | | | | | | | | | | | | | | | | | | | | | | | | | | | | | | | | | | | | | | | | | | | | | | | | | | | | | | | | | | | | | | | | | | | | | | | | | | | | | | | | | | | | | |
| | | | | | | | | | | 16 | 15 | 14 | | | | | | | 6 | | 4 | 3 | | 1 | SALEABLE | NOT APPLICABLE | 34566-0144 | 9 | B | ST GRN | | | | | | | | | 66 | | | | 41 | | 58 | | | | | | | | | | | | | | | | | | | | | | | | 38 | 37 | | | | | | | | | | | 73 | | | | | | | | | | | | | | | | | 20 | 19 | 18 | 17 | | | | | | | | | | | | | | | | | | 8 | | | 5 | | 4 | | | 1 | SALEABLE | NOT APPLICABLE | 34822-0663 | 9 | C | BLUE | | | | | 61 | 60 | | 58 | | | 54 | | | | | | | | | | | | | | | | | | | | 44 | 43 | | | | | | 37 | | | | | | | | | | | | | 65 | | | | | | | | | | | | | | | | 21 | 20 | 19 | | | | | | | | | | | | | | 31 | | | | | | | | | 5 | 4 | | | SALEABLE | NOT APPLICABLE | 34822-0673 | 0 | A | BLACK | 64 | | | | | | | 58 | 57 | 56 | 55 | | | 52 | 51 | 50 | | | | | | | | | 48 | 47 | 46 | 45 | 44 | 43 | 42 | 41 | 40 | 39 | | | 36 | | 34 | | | | | | | | | | | 65 | | | | 32 | | 30 | 29 | | 27 | 26 | 25 | | | | | | | | | | | | | | | | | | 16 | | | | 12 | 11 | 10 | 9 | | 6 | 5 | | | | | SALEABLE | NOT APPLICABLE | 34822-0683 | 9 | A | BLACK | | 63 | 62 | 61 | 60 | 59 | | | | | 54 | 53 | | | | | 49 | | | | | | | | | | | | 44 | | | | | | 38 | 37 | | 35 | | 33 | | | | | | | | | 65 | | | | | 31 | | | 28 | | | | 24 | 23 | 22 | 21 | 20 | 19 | 18 | 17 | | | | | | | | | | | | 15 | 14 | 13 | | | | | 8 | 7 | | | 4 | 3 | 2 | 1 | SALEABLE | NOT APPLICABLE | 34822-0693 | 9 | C | BLUE | | | | | 62 | 61 | | | 58 | | | 54 | | | | | | | | | | | | | | | | | | 44 | 43 | | 41 | 40 | | | | | | | | | | | | | | | 65 | | | | | | 31 | | | | | | | | | | 20 | 19 | | | | | | | | | | | | | | | | | | | | | | | 5 | 4 | | | SALEABLE | NOT APPLICABLE | 34566-0154 | 9 | B | ST GRN | 72 | 71 | 70 | 69 | 68 | 67 | 66 | 65 | 64 | 63 | 62 | 61 | 60 | 59 | 57 | 56 | 55 | 54 | 53 | | | | | | | 52 | 51 | 50 | 49 | 48 | 47 | 46 | 45 | 44 | 43 | 42 | 41 | 40 | 39 | | 36 | 35 | 34 | 33 | | | | | | | 73 | | | | 32 | 31 | 30 | 29 | 28 | 27 | 26 | 25 | 24 | 23 | 22 | 21 | | | | | | | | | | | | | | 16 | 15 | 14 | 13 | 12 | 11 | 10 | 9 | 8 | 7 | 6 | | | 3 | 2 | SALEABLE | NOT APPLICABLE | 34566-0164 | 0 | G | BLUE | 80 | 79 | 78 | 77 | | | 75 | | | | | | | | 66 | 65 | 64 | | 62 | | | | | | | | | | | | | | | | | | | | | 46 | | 44 | 43 | 42 | 41 | | | | | | | | | | | | | | | | | | | | | | | | | | | | | | | | | | | | | | | | | | | | | | 26 | 25 | 24 | | 22 | 21 | | | | | | | | | | | | | | | | | | | | | | | | | | | | | | | | | | | | | | | | | | | | | | | | | | | | | | | | | | | | | | | | | | | | | | | | | | | | | | | | | | | | | | | | | | | | | | | | | | | | | | | | | | | | | | | | | | | | | | | | | | | | | | | | | | | | | | | | | | | | | | | | | | | | | | | | | | | | | | | | | | | | | | | | | | | | | | | | SALEABLE | NOT APPLICABLE | 34566-0174 | 9 | B | ST GRN | 72 | 71 | 70 | | | | 67 | 66 | | | | | 60 | | | | | | | | | | | | 52 | 51 | 50 | | | | 47 | 46 | | | | | | 39 | | 37 | | 35 | 33 | | | | | | | 73 | | | | | | 30 | 29 | 28 | | | 25 | 24 | 23 | 22 | | 20 | 19 | | 17 | | | | | | | | | | | | | | | | | | | | | 8 | 7 | | 3 | 1 | SALEABLE | NOT APPLICABLE | 34566-0184 | 9 | B | ST GRN | 72 | 71 | 70 | 69 | 68 | 67 | 66 | 65 | 64 | 63 | | 61 | | | 58 | 57 | 56 | 55 | 54 | 53 | | | | | | | 52 | 51 | 50 | 49 | 48 | 47 | 46 | 45 | 44 | 43 | 42 | 41 | 40 | | 37 | 36 | | | | | | | | | | 73 | | | | 32 | | 30 | 29 | 28 | | | 26 | 25 | 24 | | | 21 | | | | | | | | | | | | | 16 | | 14 | 13 | 12 | 11 | 10 | 9 | 8 | | | 6 | 5 | | 1 | | | | | | | | | | | | | | | | | | | | | | | | | | | | | | | | | | | | | | | | | | | | | | | | | | | | | | | | | | | | | | | | | | | | | | | | | | | | | | | | | | | | | | | | | | | | | | | | | | | | | | | | | | | | | | | | | | | | | | | | | | | | | | | | | | | | | | | | | | | | | | | | | | | | | | | | | | | | | | | | | | | | | | | | | | | | | | | | | | | | | | | | | | | | | | | | | | | | | | | | | | | | | | | | | | | | | | | | | | | | | | | | | | | | | | | | | | | | | | | | | | | | | | | | | | | | | | | | | | | | | | | | | | | | | | | | | | | | | | | | | | | | | | | |
| SALEABLE | NOT APPLICABLE | 34566-0144 | 9 | B | ST GRN | | | | | | | | | 66 | | | | 41 | | 58 | | | | | | | | | | | | | | | | | | | | | | | | 38 | 37 | | | | | | | | | | | 73 | | | | | | | | | | | | | | | | | 20 | 19 | 18 | 17 | | | | | | | | | | | | | | | | | | 8 | | | 5 | | 4 | | | 1 | SALEABLE | NOT APPLICABLE | 34822-0663 | 9 | C | BLUE | | | | | 61 | 60 | | 58 | | | 54 | | | | | | | | | | | | | | | | | | | | 44 | 43 | | | | | | 37 | | | | | | | | | | | | | 65 | | | | | | | | | | | | | | | | 21 | 20 | 19 | | | | | | | | | | | | | | 31 | | | | | | | | | 5 | 4 | | | SALEABLE | NOT APPLICABLE | 34822-0673 | 0 | A | BLACK | 64 | | | | | | | 58 | 57 | 56 | 55 | | | 52 | 51 | 50 | | | | | | | | | 48 | 47 | 46 | 45 | 44 | 43 | 42 | 41 | 40 | 39 | | | 36 | | 34 | | | | | | | | | | | 65 | | | | 32 | | 30 | 29 | | 27 | 26 | 25 | | | | | | | | | | | | | | | | | | 16 | | | | 12 | 11 | 10 | 9 | | 6 | 5 | | | | | SALEABLE | NOT APPLICABLE | 34822-0683 | 9 | A | BLACK | | 63 | 62 | 61 | 60 | 59 | | | | | 54 | 53 | | | | | 49 | | | | | | | | | | | | 44 | | | | | | 38 | 37 | | 35 | | 33 | | | | | | | | | 65 | | | | | 31 | | | 28 | | | | 24 | 23 | 22 | 21 | 20 | 19 | 18 | 17 | | | | | | | | | | | | 15 | 14 | 13 | | | | | 8 | 7 | | | 4 | 3 | 2 | 1 | SALEABLE | NOT APPLICABLE | 34822-0693 | 9 | C | BLUE | | | | | 62 | 61 | | | 58 | | | 54 | | | | | | | | | | | | | | | | | | 44 | 43 | | 41 | 40 | | | | | | | | | | | | | | | 65 | | | | | | 31 | | | | | | | | | | 20 | 19 | | | | | | | | | | | | | | | | | | | | | | | 5 | 4 | | | SALEABLE | NOT APPLICABLE | 34566-0154 | 9 | B | ST GRN | 72 | 71 | 70 | 69 | 68 | 67 | 66 | 65 | 64 | 63 | 62 | 61 | 60 | 59 | 57 | 56 | 55 | 54 | 53 | | | | | | | 52 | 51 | 50 | 49 | 48 | 47 | 46 | 45 | 44 | 43 | 42 | 41 | 40 | 39 | | 36 | 35 | 34 | 33 | | | | | | | 73 | | | | 32 | 31 | 30 | 29 | 28 | 27 | 26 | 25 | 24 | 23 | 22 | 21 | | | | | | | | | | | | | | 16 | 15 | 14 | 13 | 12 | 11 | 10 | 9 | 8 | 7 | 6 | | | 3 | 2 | SALEABLE | NOT APPLICABLE | 34566-0164 | 0 | G | BLUE | 80 | 79 | 78 | 77 | | | 75 | | | | | | | | 66 | 65 | 64 | | 62 | | | | | | | | | | | | | | | | | | | | | 46 | | 44 | 43 | 42 | 41 | | | | | | | | | | | | | | | | | | | | | | | | | | | | | | | | | | | | | | | | | | | | | | 26 | 25 | 24 | | 22 | 21 | | | | | | | | | | | | | | | | | | | | | | | | | | | | | | | | | | | | | | | | | | | | | | | | | | | | | | | | | | | | | | | | | | | | | | | | | | | | | | | | | | | | | | | | | | | | | | | | | | | | | | | | | | | | | | | | | | | | | | | | | | | | | | | | | | | | | | | | | | | | | | | | | | | | | | | | | | | | | | | | | | | | | | | | | | | | | | | | SALEABLE | NOT APPLICABLE | 34566-0174 | 9 | B | ST GRN | 72 | 71 | 70 | | | | 67 | 66 | | | | | 60 | | | | | | | | | | | | 52 | 51 | 50 | | | | 47 | 46 | | | | | | 39 | | 37 | | 35 | 33 | | | | | | | 73 | | | | | | 30 | 29 | 28 | | | 25 | 24 | 23 | 22 | | 20 | 19 | | 17 | | | | | | | | | | | | | | | | | | | | | 8 | 7 | | 3 | 1 | SALEABLE | NOT APPLICABLE | 34566-0184 | 9 | B | ST GRN | 72 | 71 | 70 | 69 | 68 | 67 | 66 | 65 | 64 | 63 | | 61 | | | 58 | 57 | 56 | 55 | 54 | 53 | | | | | | | 52 | 51 | 50 | 49 | 48 | 47 | 46 | 45 | 44 | 43 | 42 | 41 | 40 | | 37 | 36 | | | | | | | | | | 73 | | | | 32 | | 30 | 29 | 28 | | | 26 | 25 | 24 | | | 21 | | | | | | | | | | | | | 16 | | 14 | 13 | 12 | 11 | 10 | 9 | 8 | | | 6 | 5 | | 1 | | | | | | | | | | | | | | | | | | | | | | | | | | | | | | | | | | | | | | | | | | | | | | | | | | | | | | | | | | | | | | | | | | | | | | | | | | | | | | | | | | | | | | | | | | | | | | | | | | | | | | | | | | | | | | | | | | | | | | | | | | | | | | | | | | | | | | | | | | | | | | | | | | | | | | | | | | | | | | | | | | | | | | | | | | | | | | | | | | | | | | | | | | | | | | | | | | | | | | | | | | | | | | | | | | | | | | | | | | | | | | | | | | | | | | | | | | | | | | | | | | | | | | | | | | | | | | | | | | | | | | | | | | | | | | | | | | | | | | | | | | | | | | | | | | | | | | | | | | | | | | | | | | | | | | | | |
| | | | | | | | | | | | | | | | | | | | 38 | 37 | | | | | | | | | | | 73 | | | | | | | | | | | | | | | | | 20 | 19 | 18 | 17 | | | | | | | | | | | | | | | | | | 8 | | | 5 | | 4 | | | 1 | SALEABLE | NOT APPLICABLE | 34822-0663 | 9 | C | BLUE | | | | | 61 | 60 | | 58 | | | 54 | | | | | | | | | | | | | | | | | | | | 44 | 43 | | | | | | 37 | | | | | | | | | | | | | 65 | | | | | | | | | | | | | | | | 21 | 20 | 19 | | | | | | | | | | | | | | 31 | | | | | | | | | 5 | 4 | | | SALEABLE | NOT APPLICABLE | 34822-0673 | 0 | A | BLACK | 64 | | | | | | | 58 | 57 | 56 | 55 | | | 52 | 51 | 50 | | | | | | | | | 48 | 47 | 46 | 45 | 44 | 43 | 42 | 41 | 40 | 39 | | | 36 | | 34 | | | | | | | | | | | 65 | | | | 32 | | 30 | 29 | | 27 | 26 | 25 | | | | | | | | | | | | | | | | | | 16 | | | | 12 | 11 | 10 | 9 | | 6 | 5 | | | | | SALEABLE | NOT APPLICABLE | 34822-0683 | 9 | A | BLACK | | 63 | 62 | 61 | 60 | 59 | | | | | 54 | 53 | | | | | 49 | | | | | | | | | | | | 44 | | | | | | 38 | 37 | | 35 | | 33 | | | | | | | | | 65 | | | | | 31 | | | 28 | | | | 24 | 23 | 22 | 21 | 20 | 19 | 18 | 17 | | | | | | | | | | | | 15 | 14 | 13 | | | | | 8 | 7 | | | 4 | 3 | 2 | 1 | SALEABLE | NOT APPLICABLE | 34822-0693 | 9 | C | BLUE | | | | | 62 | 61 | | | 58 | | | 54 | | | | | | | | | | | | | | | | | | 44 | 43 | | 41 | 40 | | | | | | | | | | | | | | | 65 | | | | | | 31 | | | | | | | | | | 20 | 19 | | | | | | | | | | | | | | | | | | | | | | | 5 | 4 | | | SALEABLE | NOT APPLICABLE | 34566-0154 | 9 | B | ST GRN | 72 | 71 | 70 | 69 | 68 | 67 | 66 | 65 | 64 | 63 | 62 | 61 | 60 | 59 | 57 | 56 | 55 | 54 | 53 | | | | | | | 52 | 51 | 50 | 49 | 48 | 47 | 46 | 45 | 44 | 43 | 42 | 41 | 40 | 39 | | 36 | 35 | 34 | 33 | | | | | | | 73 | | | | 32 | 31 | 30 | 29 | 28 | 27 | 26 | 25 | 24 | 23 | 22 | 21 | | | | | | | | | | | | | | 16 | 15 | 14 | 13 | 12 | 11 | 10 | 9 | 8 | 7 | 6 | | | 3 | 2 | SALEABLE | NOT APPLICABLE | 34566-0164 | 0 | G | BLUE | 80 | 79 | 78 | 77 | | | 75 | | | | | | | | 66 | 65 | 64 | | 62 | | | | | | | | | | | | | | | | | | | | | 46 | | 44 | 43 | 42 | 41 | | | | | | | | | | | | | | | | | | | | | | | | | | | | | | | | | | | | | | | | | | | | | | 26 | 25 | 24 | | 22 | 21 | | | | | | | | | | | | | | | | | | | | | | | | | | | | | | | | | | | | | | | | | | | | | | | | | | | | | | | | | | | | | | | | | | | | | | | | | | | | | | | | | | | | | | | | | | | | | | | | | | | | | | | | | | | | | | | | | | | | | | | | | | | | | | | | | | | | | | | | | | | | | | | | | | | | | | | | | | | | | | | | | | | | | | | | | | | | | | | | SALEABLE | NOT APPLICABLE | 34566-0174 | 9 | B | ST GRN | 72 | 71 | 70 | | | | 67 | 66 | | | | | 60 | | | | | | | | | | | | 52 | 51 | 50 | | | | 47 | 46 | | | | | | 39 | | 37 | | 35 | 33 | | | | | | | 73 | | | | | | 30 | 29 | 28 | | | 25 | 24 | 23 | 22 | | 20 | 19 | | 17 | | | | | | | | | | | | | | | | | | | | | 8 | 7 | | 3 | 1 | SALEABLE | NOT APPLICABLE | 34566-0184 | 9 | B | ST GRN | 72 | 71 | 70 | 69 | 68 | 67 | 66 | 65 | 64 | 63 | | 61 | | | 58 | 57 | 56 | 55 | 54 | 53 | | | | | | | 52 | 51 | 50 | 49 | 48 | 47 | 46 | 45 | 44 | 43 | 42 | 41 | 40 | | 37 | 36 | | | | | | | | | | 73 | | | | 32 | | 30 | 29 | 28 | | | 26 | 25 | 24 | | | 21 | | | | | | | | | | | | | 16 | | 14 | 13 | 12 | 11 | 10 | 9 | 8 | | | 6 | 5 | | 1 | | | | | | | | | | | | | | | | | | | | | | | | | | | | | | | | | | | | | | | | | | | | | | | | | | | | | | | | | | | | | | | | | | | | | | | | | | | | | | | | | | | | | | | | | | | | | | | | | | | | | | | | | | | | | | | | | | | | | | | | | | | | | | | | | | | | | | | | | | | | | | | | | | | | | | | | | | | | | | | | | | | | | | | | | | | | | | | | | | | | | | | | | | | | | | | | | | | | | | | | | | | | | | | | | | | | | | | | | | | | | | | | | | | | | | | | | | | | | | | | | | | | | | | | | | | | | | | | | | | | | | | | | | | | | | | | | | | | | | | | | | | | | | | | | | | | | | | | | | | | | | | | | | | | | | | | | | | | | | | | | | | | | | | | | | | | | | | | | |
| | | | | | | 73 | | | | | | | | | | | | | | | | | 20 | 19 | 18 | 17 | | | | | | | | | | | | | | | | | | 8 | | | 5 | | 4 | | | 1 | SALEABLE | NOT APPLICABLE | 34822-0663 | 9 | C | BLUE | | | | | 61 | 60 | | 58 | | | 54 | | | | | | | | | | | | | | | | | | | | 44 | 43 | | | | | | 37 | | | | | | | | | | | | | 65 | | | | | | | | | | | | | | | | 21 | 20 | 19 | | | | | | | | | | | | | | 31 | | | | | | | | | 5 | 4 | | | SALEABLE | NOT APPLICABLE | 34822-0673 | 0 | A | BLACK | 64 | | | | | | | 58 | 57 | 56 | 55 | | | 52 | 51 | 50 | | | | | | | | | 48 | 47 | 46 | 45 | 44 | 43 | 42 | 41 | 40 | 39 | | | 36 | | 34 | | | | | | | | | | | 65 | | | | 32 | | 30 | 29 | | 27 | 26 | 25 | | | | | | | | | | | | | | | | | | 16 | | | | 12 | 11 | 10 | 9 | | 6 | 5 | | | | | SALEABLE | NOT APPLICABLE | 34822-0683 | 9 | A | BLACK | | 63 | 62 | 61 | 60 | 59 | | | | | 54 | 53 | | | | | 49 | | | | | | | | | | | | 44 | | | | | | 38 | 37 | | 35 | | 33 | | | | | | | | | 65 | | | | | 31 | | | 28 | | | | 24 | 23 | 22 | 21 | 20 | 19 | 18 | 17 | | | | | | | | | | | | 15 | 14 | 13 | | | | | 8 | 7 | | | 4 | 3 | 2 | 1 | SALEABLE | NOT APPLICABLE | 34822-0693 | 9 | C | BLUE | | | | | 62 | 61 | | | 58 | | | 54 | | | | | | | | | | | | | | | | | | 44 | 43 | | 41 | 40 | | | | | | | | | | | | | | | 65 | | | | | | 31 | | | | | | | | | | 20 | 19 | | | | | | | | | | | | | | | | | | | | | | | 5 | 4 | | | SALEABLE | NOT APPLICABLE | 34566-0154 | 9 | B | ST GRN | 72 | 71 | 70 | 69 | 68 | 67 | 66 | 65 | 64 | 63 | 62 | 61 | 60 | 59 | 57 | 56 | 55 | 54 | 53 | | | | | | | 52 | 51 | 50 | 49 | 48 | 47 | 46 | 45 | 44 | 43 | 42 | 41 | 40 | 39 | | 36 | 35 | 34 | 33 | | | | | | | 73 | | | | 32 | 31 | 30 | 29 | 28 | 27 | 26 | 25 | 24 | 23 | 22 | 21 | | | | | | | | | | | | | | 16 | 15 | 14 | 13 | 12 | 11 | 10 | 9 | 8 | 7 | 6 | | | 3 | 2 | SALEABLE | NOT APPLICABLE | 34566-0164 | 0 | G | BLUE | 80 | 79 | 78 | 77 | | | 75 | | | | | | | | 66 | 65 | 64 | | 62 | | | | | | | | | | | | | | | | | | | | | 46 | | 44 | 43 | 42 | 41 | | | | | | | | | | | | | | | | | | | | | | | | | | | | | | | | | | | | | | | | | | | | | | 26 | 25 | 24 | | 22 | 21 | | | | | | | | | | | | | | | | | | | | | | | | | | | | | | | | | | | | | | | | | | | | | | | | | | | | | | | | | | | | | | | | | | | | | | | | | | | | | | | | | | | | | | | | | | | | | | | | | | | | | | | | | | | | | | | | | | | | | | | | | | | | | | | | | | | | | | | | | | | | | | | | | | | | | | | | | | | | | | | | | | | | | | | | | | | | | | | | SALEABLE | NOT APPLICABLE | 34566-0174 | 9 | B | ST GRN | 72 | 71 | 70 | | | | 67 | 66 | | | | | 60 | | | | | | | | | | | | 52 | 51 | 50 | | | | 47 | 46 | | | | | | 39 | | 37 | | 35 | 33 | | | | | | | 73 | | | | | | 30 | 29 | 28 | | | 25 | 24 | 23 | 22 | | 20 | 19 | | 17 | | | | | | | | | | | | | | | | | | | | | 8 | 7 | | 3 | 1 | SALEABLE | NOT APPLICABLE | 34566-0184 | 9 | B | ST GRN | 72 | 71 | 70 | 69 | 68 | 67 | 66 | 65 | 64 | 63 | | 61 | | | 58 | 57 | 56 | 55 | 54 | 53 | | | | | | | 52 | 51 | 50 | 49 | 48 | 47 | 46 | 45 | 44 | 43 | 42 | 41 | 40 | | 37 | 36 | | | | | | | | | | 73 | | | | 32 | | 30 | 29 | 28 | | | 26 | 25 | 24 | | | 21 | | | | | | | | | | | | | 16 | | 14 | 13 | 12 | 11 | 10 | 9 | 8 | | | 6 | 5 | | 1 | | | | | | | | | | | | | | | | | | | | | | | | | | | | | | | | | | | | | | | | | | | | | | | | | | | | | | | | | | | | | | | | | | | | | | | | | | | | | | | | | | | | | | | | | | | | | | | | | | | | | | | | | | | | | | | | | | | | | | | | | | | | | | | | | | | | | | | | | | | | | | | | | | | | | | | | | | | | | | | | | | | | | | | | | | | | | | | | | | | | | | | | | | | | | | | | | | | | | | | | | | | | | | | | | | | | | | | | | | | | | | | | | | | | | | | | | | | | | | | | | | | | | | | | | | | | | | | | | | | | | | | | | | | | | | | | | | | | | | | | | | | | | | | | | | | | | | | | | | | | | | | | | | | | | | | | | | | | | | | | | | | | | | | | | | | | | | | | | | | | | | | | | | | | | | | | | | | | | | | | | | |
| | | | | | | | | | | | | | | | | | 8 | | | 5 | | 4 | | | 1 | SALEABLE | NOT APPLICABLE | 34822-0663 | 9 | C | BLUE | | | | | 61 | 60 | | 58 | | | 54 | | | | | | | | | | | | | | | | | | | | 44 | 43 | | | | | | 37 | | | | | | | | | | | | | 65 | | | | | | | | | | | | | | | | 21 | 20 | 19 | | | | | | | | | | | | | | 31 | | | | | | | | | 5 | 4 | | | SALEABLE | NOT APPLICABLE | 34822-0673 | 0 | A | BLACK | 64 | | | | | | | 58 | 57 | 56 | 55 | | | 52 | 51 | 50 | | | | | | | | | 48 | 47 | 46 | 45 | 44 | 43 | 42 | 41 | 40 | 39 | | | 36 | | 34 | | | | | | | | | | | 65 | | | | 32 | | 30 | 29 | | 27 | 26 | 25 | | | | | | | | | | | | | | | | | | 16 | | | | 12 | 11 | 10 | 9 | | 6 | 5 | | | | | SALEABLE | NOT APPLICABLE | 34822-0683 | 9 | A | BLACK | | 63 | 62 | 61 | 60 | 59 | | | | | 54 | 53 | | | | | 49 | | | | | | | | | | | | 44 | | | | | | 38 | 37 | | 35 | | 33 | | | | | | | | | 65 | | | | | 31 | | | 28 | | | | 24 | 23 | 22 | 21 | 20 | 19 | 18 | 17 | | | | | | | | | | | | 15 | 14 | 13 | | | | | 8 | 7 | | | 4 | 3 | 2 | 1 | SALEABLE | NOT APPLICABLE | 34822-0693 | 9 | C | BLUE | | | | | 62 | 61 | | | 58 | | | 54 | | | | | | | | | | | | | | | | | | 44 | 43 | | 41 | 40 | | | | | | | | | | | | | | | 65 | | | | | | 31 | | | | | | | | | | 20 | 19 | | | | | | | | | | | | | | | | | | | | | | | 5 | 4 | | | SALEABLE | NOT APPLICABLE | 34566-0154 | 9 | B | ST GRN | 72 | 71 | 70 | 69 | 68 | 67 | 66 | 65 | 64 | 63 | 62 | 61 | 60 | 59 | 57 | 56 | 55 | 54 | 53 | | | | | | | 52 | 51 | 50 | 49 | 48 | 47 | 46 | 45 | 44 | 43 | 42 | 41 | 40 | 39 | | 36 | 35 | 34 | 33 | | | | | | | 73 | | | | 32 | 31 | 30 | 29 | 28 | 27 | 26 | 25 | 24 | 23 | 22 | 21 | | | | | | | | | | | | | | 16 | 15 | 14 | 13 | 12 | 11 | 10 | 9 | 8 | 7 | 6 | | | 3 | 2 | SALEABLE | NOT APPLICABLE | 34566-0164 | 0 | G | BLUE | 80 | 79 | 78 | 77 | | | 75 | | | | | | | | 66 | 65 | 64 | | 62 | | | | | | | | | | | | | | | | | | | | | 46 | | 44 | 43 | 42 | 41 | | | | | | | | | | | | | | | | | | | | | | | | | | | | | | | | | | | | | | | | | | | | | | 26 | 25 | 24 | | 22 | 21 | | | | | | | | | | | | | | | | | | | | | | | | | | | | | | | | | | | | | | | | | | | | | | | | | | | | | | | | | | | | | | | | | | | | | | | | | | | | | | | | | | | | | | | | | | | | | | | | | | | | | | | | | | | | | | | | | | | | | | | | | | | | | | | | | | | | | | | | | | | | | | | | | | | | | | | | | | | | | | | | | | | | | | | | | | | | | | | | SALEABLE | NOT APPLICABLE | 34566-0174 | 9 | B | ST GRN | 72 | 71 | 70 | | | | 67 | 66 | | | | | 60 | | | | | | | | | | | | 52 | 51 | 50 | | | | 47 | 46 | | | | | | 39 | | 37 | | 35 | 33 | | | | | | | 73 | | | | | | 30 | 29 | 28 | | | 25 | 24 | 23 | 22 | | 20 | 19 | | 17 | | | | | | | | | | | | | | | | | | | | | 8 | 7 | | 3 | 1 | SALEABLE | NOT APPLICABLE | 34566-0184 | 9 | B | ST GRN | 72 | 71 | 70 | 69 | 68 | 67 | 66 | 65 | 64 | 63 | | 61 | | | 58 | 57 | 56 | 55 | 54 | 53 | | | | | | | 52 | 51 | 50 | 49 | 48 | 47 | 46 | 45 | 44 | 43 | 42 | 41 | 40 | | 37 | 36 | | | | | | | | | | 73 | | | | 32 | | 30 | 29 | 28 | | | 26 | 25 | 24 | | | 21 | | | | | | | | | | | | | 16 | | 14 | 13 | 12 | 11 | 10 | 9 | 8 | | | 6 | 5 | | 1 | | | | | | | | | | | | | | | | | | | | | | | | | | | | | | | | | | | | | | | | | | | | | | | | | | | | | | | | | | | | | | | | | | | | | | | | | | | | | | | | | | | | | | | | | | | | | | | | | | | | | | | | | | | | | | | | | | | | | | | | | | | | | | | | | | | | | | | | | | | | | | | | | | | | | | | | | | | | | | | | | | | | | | | | | | | | | | | | | | | | | | | | | | | | | | | | | | | | | | | | | | | | | | | | | | | | | | | | | | | | | | | | | | | | | | | | | | | | | | | | | | | | | | | | | | | | | | | | | | | | | | | | | | | | | | | | | | | | | | | | | | | | | | | | | | | | | | | | | | | | | | | | | | | | | | | | | | | | | | | | | | | | | | | | | | | | | | | | | | | | | | | | | | | | | | | | | | | | | | | | | | | | | | | | | | | | | | | | | | | | | | | | | | | | | |
| SALEABLE | NOT APPLICABLE | 34822-0663 | 9 | C | BLUE | | | | | 61 | 60 | | 58 | | | 54 | | | | | | | | | | | | | | | | | | | | 44 | 43 | | | | | | 37 | | | | | | | | | | | | | 65 | | | | | | | | | | | | | | | | 21 | 20 | 19 | | | | | | | | | | | | | | 31 | | | | | | | | | 5 | 4 | | | SALEABLE | NOT APPLICABLE | 34822-0673 | 0 | A | BLACK | 64 | | | | | | | 58 | 57 | 56 | 55 | | | 52 | 51 | 50 | | | | | | | | | 48 | 47 | 46 | 45 | 44 | 43 | 42 | 41 | 40 | 39 | | | 36 | | 34 | | | | | | | | | | | 65 | | | | 32 | | 30 | 29 | | 27 | 26 | 25 | | | | | | | | | | | | | | | | | | 16 | | | | 12 | 11 | 10 | 9 | | 6 | 5 | | | | | SALEABLE | NOT APPLICABLE | 34822-0683 | 9 | A | BLACK | | 63 | 62 | 61 | 60 | 59 | | | | | 54 | 53 | | | | | 49 | | | | | | | | | | | | 44 | | | | | | 38 | 37 | | 35 | | 33 | | | | | | | | | 65 | | | | | 31 | | | 28 | | | | 24 | 23 | 22 | 21 | 20 | 19 | 18 | 17 | | | | | | | | | | | | 15 | 14 | 13 | | | | | 8 | 7 | | | 4 | 3 | 2 | 1 | SALEABLE | NOT APPLICABLE | 34822-0693 | 9 | C | BLUE | | | | | 62 | 61 | | | 58 | | | 54 | | | | | | | | | | | | | | | | | | 44 | 43 | | 41 | 40 | | | | | | | | | | | | | | | 65 | | | | | | 31 | | | | | | | | | | 20 | 19 | | | | | | | | | | | | | | | | | | | | | | | 5 | 4 | | | SALEABLE | NOT APPLICABLE | 34566-0154 | 9 | B | ST GRN | 72 | 71 | 70 | 69 | 68 | 67 | 66 | 65 | 64 | 63 | 62 | 61 | 60 | 59 | 57 | 56 | 55 | 54 | 53 | | | | | | | 52 | 51 | 50 | 49 | 48 | 47 | 46 | 45 | 44 | 43 | 42 | 41 | 40 | 39 | | 36 | 35 | 34 | 33 | | | | | | | 73 | | | | 32 | 31 | 30 | 29 | 28 | 27 | 26 | 25 | 24 | 23 | 22 | 21 | | | | | | | | | | | | | | 16 | 15 | 14 | 13 | 12 | 11 | 10 | 9 | 8 | 7 | 6 | | | 3 | 2 | SALEABLE | NOT APPLICABLE | 34566-0164 | 0 | G | BLUE | 80 | 79 | 78 | 77 | | | 75 | | | | | | | | 66 | 65 | 64 | | 62 | | | | | | | | | | | | | | | | | | | | | 46 | | 44 | 43 | 42 | 41 | | | | | | | | | | | | | | | | | | | | | | | | | | | | | | | | | | | | | | | | | | | | | | 26 | 25 | 24 | | 22 | 21 | | | | | | | | | | | | | | | | | | | | | | | | | | | | | | | | | | | | | | | | | | | | | | | | | | | | | | | | | | | | | | | | | | | | | | | | | | | | | | | | | | | | | | | | | | | | | | | | | | | | | | | | | | | | | | | | | | | | | | | | | | | | | | | | | | | | | | | | | | | | | | | | | | | | | | | | | | | | | | | | | | | | | | | | | | | | | | | | SALEABLE | NOT APPLICABLE | 34566-0174 | 9 | B | ST GRN | 72 | 71 | 70 | | | | 67 | 66 | | | | | 60 | | | | | | | | | | | | 52 | 51 | 50 | | | | 47 | 46 | | | | | | 39 | | 37 | | 35 | 33 | | | | | | | 73 | | | | | | 30 | 29 | 28 | | | 25 | 24 | 23 | 22 | | 20 | 19 | | 17 | | | | | | | | | | | | | | | | | | | | | 8 | 7 | | 3 | 1 | SALEABLE | NOT APPLICABLE | 34566-0184 | 9 | B | ST GRN | 72 | 71 | 70 | 69 | 68 | 67 | 66 | 65 | 64 | 63 | | 61 | | | 58 | 57 | 56 | 55 | 54 | 53 | | | | | | | 52 | 51 | 50 | 49 | 48 | 47 | 46 | 45 | 44 | 43 | 42 | 41 | 40 | | 37 | 36 | | | | | | | | | | 73 | | | | 32 | | 30 | 29 | 28 | | | 26 | 25 | 24 | | | 21 | | | | | | | | | | | | | 16 | | 14 | 13 | 12 | 11 | 10 | 9 | 8 | | | 6 | 5 | | 1 | | | | | | | | | | | | | | | | | | | | | | | | | | | | | | | | | | | | | | | | | | | | | | | | | | | | | | | | | | | | | | | | | | | | | | | | | | | | | | | | | | | | | | | | | | | | | | | | | | | | | | | | | | | | | | | | | | | | | | | | | | | | | | | | | | | | | | | | | | | | | | | | | | | | | | | | | | | | | | | | | | | | | | | | | | | | | | | | | | | | | | | | | | | | | | | | | | | | | | | | | | | | | | | | | | | | | | | | | | | | | | | | | | | | | | | | | | | | | | | | | | | | | | | | | | | | | | | | | | | | | | | | | | | | | | | | | | | | | | | | | | | | | | | | | | | | | | | | | | | | | | | | | | | | | | | | | | | | | | | | | | | | | | | | | | | | | | | | | | | | | | | | | | | | | | | | | | | | | | | | | | | | | | | | | | | | | | | | | | | | | | | | | | | | | | | | | | | | | | | | | | | | | | | | | | | | | | | |
| | | | | | | | | | | | 44 | 43 | | | | | | 37 | | | | | | | | | | | | | 65 | | | | | | | | | | | | | | | | 21 | 20 | 19 | | | | | | | | | | | | | | 31 | | | | | | | | | 5 | 4 | | | SALEABLE | NOT APPLICABLE | 34822-0673 | 0 | A | BLACK | 64 | | | | | | | 58 | 57 | 56 | 55 | | | 52 | 51 | 50 | | | | | | | | | 48 | 47 | 46 | 45 | 44 | 43 | 42 | 41 | 40 | 39 | | | 36 | | 34 | | | | | | | | | | | 65 | | | | 32 | | 30 | 29 | | 27 | 26 | 25 | | | | | | | | | | | | | | | | | | 16 | | | | 12 | 11 | 10 | 9 | | 6 | 5 | | | | | SALEABLE | NOT APPLICABLE | 34822-0683 | 9 | A | BLACK | | 63 | 62 | 61 | 60 | 59 | | | | | 54 | 53 | | | | | 49 | | | | | | | | | | | | 44 | | | | | | 38 | 37 | | 35 | | 33 | | | | | | | | | 65 | | | | | 31 | | | 28 | | | | 24 | 23 | 22 | 21 | 20 | 19 | 18 | 17 | | | | | | | | | | | | 15 | 14 | 13 | | | | | 8 | 7 | | | 4 | 3 | 2 | 1 | SALEABLE | NOT APPLICABLE | 34822-0693 | 9 | C | BLUE | | | | | 62 | 61 | | | 58 | | | 54 | | | | | | | | | | | | | | | | | | 44 | 43 | | 41 | 40 | | | | | | | | | | | | | | | 65 | | | | | | 31 | | | | | | | | | | 20 | 19 | | | | | | | | | | | | | | | | | | | | | | | 5 | 4 | | | SALEABLE | NOT APPLICABLE | 34566-0154 | 9 | B | ST GRN | 72 | 71 | 70 | 69 | 68 | 67 | 66 | 65 | 64 | 63 | 62 | 61 | 60 | 59 | 57 | 56 | 55 | 54 | 53 | | | | | | | 52 | 51 | 50 | 49 | 48 | 47 | 46 | 45 | 44 | 43 | 42 | 41 | 40 | 39 | | 36 | 35 | 34 | 33 | | | | | | | 73 | | | | 32 | 31 | 30 | 29 | 28 | 27 | 26 | 25 | 24 | 23 | 22 | 21 | | | | | | | | | | | | | | 16 | 15 | 14 | 13 | 12 | 11 | 10 | 9 | 8 | 7 | 6 | | | 3 | 2 | SALEABLE | NOT APPLICABLE | 34566-0164 | 0 | G | BLUE | 80 | 79 | 78 | 77 | | | 75 | | | | | | | | 66 | 65 | 64 | | 62 | | | | | | | | | | | | | | | | | | | | | 46 | | 44 | 43 | 42 | 41 | | | | | | | | | | | | | | | | | | | | | | | | | | | | | | | | | | | | | | | | | | | | | | 26 | 25 | 24 | | 22 | 21 | | | | | | | | | | | | | | | | | | | | | | | | | | | | | | | | | | | | | | | | | | | | | | | | | | | | | | | | | | | | | | | | | | | | | | | | | | | | | | | | | | | | | | | | | | | | | | | | | | | | | | | | | | | | | | | | | | | | | | | | | | | | | | | | | | | | | | | | | | | | | | | | | | | | | | | | | | | | | | | | | | | | | | | | | | | | | | | | SALEABLE | NOT APPLICABLE | 34566-0174 | 9 | B | ST GRN | 72 | 71 | 70 | | | | 67 | 66 | | | | | 60 | | | | | | | | | | | | 52 | 51 | 50 | | | | 47 | 46 | | | | | | 39 | | 37 | | 35 | 33 | | | | | | | 73 | | | | | | 30 | 29 | 28 | | | 25 | 24 | 23 | 22 | | 20 | 19 | | 17 | | | | | | | | | | | | | | | | | | | | | 8 | 7 | | 3 | 1 | SALEABLE | NOT APPLICABLE | 34566-0184 | 9 | B | ST GRN | 72 | 71 | 70 | 69 | 68 | 67 | 66 | 65 | 64 | 63 | | 61 | | | 58 | 57 | 56 | 55 | 54 | 53 | | | | | | | 52 | 51 | 50 | 49 | 48 | 47 | 46 | 45 | 44 | 43 | 42 | 41 | 40 | | 37 | 36 | | | | | | | | | | 73 | | | | 32 | | 30 | 29 | 28 | | | 26 | 25 | 24 | | | 21 | | | | | | | | | | | | | 16 | | 14 | 13 | 12 | 11 | 10 | 9 | 8 | | | 6 | 5 | | 1 | | | | | | | | | | | | | | | | | | | | | | | | | | | | | | | | | | | | | | | | | | | | | | | | | | | | | | | | | | | | | | | | | | | | | | | | | | | | | | | | | | | | | | | | | | | | | | | | | | | | | | | | | | | | | | | | | | | | | | | | | | | | | | | | | | | | | | | | | | | | | | | | | | | | | | | | | | | | | | | | | | | | | | | | | | | | | | | | | | | | | | | | | | | | | | | | | | | | | | | | | | | | | | | | | | | | | | | | | | | | | | | | | | | | | | | | | | | | | | | | | | | | | | | | | | | | | | | | | | | | | | | | | | | | | | | | | | | | | | | | | | | | | | | | | | | | | | | | | | | | | | | | | | | | | | | | | | | | | | | | | | | | | | | | | | | | | | | | | | | | | | | | | | | | | | | | | | | | | | | | | | | | | | | | | | | | | | | | | | | | | | | | | | | | | | | | | | | | | | | | | | | | | | | | | | | | | | | | | | | | | | | | | | | | | | | | | | | | | | | | |
| | | | | | | 65 | | | | | | | | | | | | | | | | 21 | 20 | 19 | | | | | | | | | | | | | | 31 | | | | | | | | | 5 | 4 | | | SALEABLE | NOT APPLICABLE | 34822-0673 | 0 | A | BLACK | 64 | | | | | | | 58 | 57 | 56 | 55 | | | 52 | 51 | 50 | | | | | | | | | 48 | 47 | 46 | 45 | 44 | 43 | 42 | 41 | 40 | 39 | | | 36 | | 34 | | | | | | | | | | | 65 | | | | 32 | | 30 | 29 | | 27 | 26 | 25 | | | | | | | | | | | | | | | | | | 16 | | | | 12 | 11 | 10 | 9 | | 6 | 5 | | | | | SALEABLE | NOT APPLICABLE | 34822-0683 | 9 | A | BLACK | | 63 | 62 | 61 | 60 | 59 | | | | | 54 | 53 | | | | | 49 | | | | | | | | | | | | 44 | | | | | | 38 | 37 | | 35 | | 33 | | | | | | | | | 65 | | | | | 31 | | | 28 | | | | 24 | 23 | 22 | 21 | 20 | 19 | 18 | 17 | | | | | | | | | | | | 15 | 14 | 13 | | | | | 8 | 7 | | | 4 | 3 | 2 | 1 | SALEABLE | NOT APPLICABLE | 34822-0693 | 9 | C | BLUE | | | | | 62 | 61 | | | 58 | | | 54 | | | | | | | | | | | | | | | | | | 44 | 43 | | 41 | 40 | | | | | | | | | | | | | | | 65 | | | | | | 31 | | | | | | | | | | 20 | 19 | | | | | | | | | | | | | | | | | | | | | | | 5 | 4 | | | SALEABLE | NOT APPLICABLE | 34566-0154 | 9 | B | ST GRN | 72 | 71 | 70 | 69 | 68 | 67 | 66 | 65 | 64 | 63 | 62 | 61 | 60 | 59 | 57 | 56 | 55 | 54 | 53 | | | | | | | 52 | 51 | 50 | 49 | 48 | 47 | 46 | 45 | 44 | 43 | 42 | 41 | 40 | 39 | | 36 | 35 | 34 | 33 | | | | | | | 73 | | | | 32 | 31 | 30 | 29 | 28 | 27 | 26 | 25 | 24 | 23 | 22 | 21 | | | | | | | | | | | | | | 16 | 15 | 14 | 13 | 12 | 11 | 10 | 9 | 8 | 7 | 6 | | | 3 | 2 | SALEABLE | NOT APPLICABLE | 34566-0164 | 0 | G | BLUE | 80 | 79 | 78 | 77 | | | 75 | | | | | | | | 66 | 65 | 64 | | 62 | | | | | | | | | | | | | | | | | | | | | 46 | | 44 | 43 | 42 | 41 | | | | | | | | | | | | | | | | | | | | | | | | | | | | | | | | | | | | | | | | | | | | | | 26 | 25 | 24 | | 22 | 21 | | | | | | | | | | | | | | | | | | | | | | | | | | | | | | | | | | | | | | | | | | | | | | | | | | | | | | | | | | | | | | | | | | | | | | | | | | | | | | | | | | | | | | | | | | | | | | | | | | | | | | | | | | | | | | | | | | | | | | | | | | | | | | | | | | | | | | | | | | | | | | | | | | | | | | | | | | | | | | | | | | | | | | | | | | | | | | | | SALEABLE | NOT APPLICABLE | 34566-0174 | 9 | B | ST GRN | 72 | 71 | 70 | | | | 67 | 66 | | | | | 60 | | | | | | | | | | | | 52 | 51 | 50 | | | | 47 | 46 | | | | | | 39 | | 37 | | 35 | 33 | | | | | | | 73 | | | | | | 30 | 29 | 28 | | | 25 | 24 | 23 | 22 | | 20 | 19 | | 17 | | | | | | | | | | | | | | | | | | | | | 8 | 7 | | 3 | 1 | SALEABLE | NOT APPLICABLE | 34566-0184 | 9 | B | ST GRN | 72 | 71 | 70 | 69 | 68 | 67 | 66 | 65 | 64 | 63 | | 61 | | | 58 | 57 | 56 | 55 | 54 | 53 | | | | | | | 52 | 51 | 50 | 49 | 48 | 47 | 46 | 45 | 44 | 43 | 42 | 41 | 40 | | 37 | 36 | | | | | | | | | | 73 | | | | 32 | | 30 | 29 | 28 | | | 26 | 25 | 24 | | | 21 | | | | | | | | | | | | | 16 | | 14 | 13 | 12 | 11 | 10 | 9 | 8 | | | 6 | 5 | | 1 | | | | | | | | | | | | | | | | | | | | | | | | | | | | | | | | | | | | | | | | | | | | | | | | | | | | | | | | | | | | | | | | | | | | | | | | | | | | | | | | | | | | | | | | | | | | | | | | | | | | | | | | | | | | | | | | | | | | | | | | | | | | | | | | | | | | | | | | | | | | | | | | | | | | | | | | | | | | | | | | | | | | | | | | | | | | | | | | | | | | | | | | | | | | | | | | | | | | | | | | | | | | | | | | | | | | | | | | | | | | | | | | | | | | | | | | | | | | | | | | | | | | | | | | | | | | | | | | | | | | | | | | | | | | | | | | | | | | | | | | | | | | | | | | | | | | | | | | | | | | | | | | | | | | | | | | | | | | | | | | | | | | | | | | | | | | | | | | | | | | | | | | | | | | | | | | | | | | | | | | | | | | | | | | | | | | | | | | | | | | | | | | | | | | | | | | | | | | | | | | | | | | | | | | | | | | | | | | | | | | | | | | | | | | | | | | | | | | | | | | | | | | | | | | | | | | | | | | | | | | | | | | | |
| | | | | | | | | | | | | 31 | | | | | | | | | 5 | 4 | | | SALEABLE | NOT APPLICABLE | 34822-0673 | 0 | A | BLACK | 64 | | | | | | | 58 | 57 | 56 | 55 | | | 52 | 51 | 50 | | | | | | | | | 48 | 47 | 46 | 45 | 44 | 43 | 42 | 41 | 40 | 39 | | | 36 | | 34 | | | | | | | | | | | 65 | | | | 32 | | 30 | 29 | | 27 | 26 | 25 | | | | | | | | | | | | | | | | | | 16 | | | | 12 | 11 | 10 | 9 | | 6 | 5 | | | | | SALEABLE | NOT APPLICABLE | 34822-0683 | 9 | A | BLACK | | 63 | 62 | 61 | 60 | 59 | | | | | 54 | 53 | | | | | 49 | | | | | | | | | | | | 44 | | | | | | 38 | 37 | | 35 | | 33 | | | | | | | | | 65 | | | | | 31 | | | 28 | | | | 24 | 23 | 22 | 21 | 20 | 19 | 18 | 17 | | | | | | | | | | | | 15 | 14 | 13 | | | | | 8 | 7 | | | 4 | 3 | 2 | 1 | SALEABLE | NOT APPLICABLE | 34822-0693 | 9 | C | BLUE | | | | | 62 | 61 | | | 58 | | | 54 | | | | | | | | | | | | | | | | | | 44 | 43 | | 41 | 40 | | | | | | | | | | | | | | | 65 | | | | | | 31 | | | | | | | | | | 20 | 19 | | | | | | | | | | | | | | | | | | | | | | | 5 | 4 | | | SALEABLE | NOT APPLICABLE | 34566-0154 | 9 | B | ST GRN | 72 | 71 | 70 | 69 | 68 | 67 | 66 | 65 | 64 | 63 | 62 | 61 | 60 | 59 | 57 | 56 | 55 | 54 | 53 | | | | | | | 52 | 51 | 50 | 49 | 48 | 47 | 46 | 45 | 44 | 43 | 42 | 41 | 40 | 39 | | 36 | 35 | 34 | 33 | | | | | | | 73 | | | | 32 | 31 | 30 | 29 | 28 | 27 | 26 | 25 | 24 | 23 | 22 | 21 | | | | | | | | | | | | | | 16 | 15 | 14 | 13 | 12 | 11 | 10 | 9 | 8 | 7 | 6 | | | 3 | 2 | SALEABLE | NOT APPLICABLE | 34566-0164 | 0 | G | BLUE | 80 | 79 | 78 | 77 | | | 75 | | | | | | | | 66 | 65 | 64 | | 62 | | | | | | | | | | | | | | | | | | | | | 46 | | 44 | 43 | 42 | 41 | | | | | | | | | | | | | | | | | | | | | | | | | | | | | | | | | | | | | | | | | | | | | | 26 | 25 | 24 | | 22 | 21 | | | | | | | | | | | | | | | | | | | | | | | | | | | | | | | | | | | | | | | | | | | | | | | | | | | | | | | | | | | | | | | | | | | | | | | | | | | | | | | | | | | | | | | | | | | | | | | | | | | | | | | | | | | | | | | | | | | | | | | | | | | | | | | | | | | | | | | | | | | | | | | | | | | | | | | | | | | | | | | | | | | | | | | | | | | | | | | | SALEABLE | NOT APPLICABLE | 34566-0174 | 9 | B | ST GRN | 72 | 71 | 70 | | | | 67 | 66 | | | | | 60 | | | | | | | | | | | | 52 | 51 | 50 | | | | 47 | 46 | | | | | | 39 | | 37 | | 35 | 33 | | | | | | | 73 | | | | | | 30 | 29 | 28 | | | 25 | 24 | 23 | 22 | | 20 | 19 | | 17 | | | | | | | | | | | | | | | | | | | | | 8 | 7 | | 3 | 1 | SALEABLE | NOT APPLICABLE | 34566-0184 | 9 | B | ST GRN | 72 | 71 | 70 | 69 | 68 | 67 | 66 | 65 | 64 | 63 | | 61 | | | 58 | 57 | 56 | 55 | 54 | 53 | | | | | | | 52 | 51 | 50 | 49 | 48 | 47 | 46 | 45 | 44 | 43 | 42 | 41 | 40 | | 37 | 36 | | | | | | | | | | 73 | | | | 32 | | 30 | 29 | 28 | | | 26 | 25 | 24 | | | 21 | | | | | | | | | | | | | 16 | | 14 | 13 | 12 | 11 | 10 | 9 | 8 | | | 6 | 5 | | 1 | | | | | | | | | | | | | | | | | | | | | | | | | | | | | | | | | | | | | | | | | | | | | | | | | | | | | | | | | | | | | | | | | | | | | | | | | | | | | | | | | | | | | | | | | | | | | | | | | | | | | | | | | | | | | | | | | | | | | | | | | | | | | | | | | | | | | | | | | | | | | | | | | | | | | | | | | | | | | | | | | | | | | | | | | | | | | | | | | | | | | | | | | | | | | | | | | | | | | | | | | | | | | | | | | | | | | | | | | | | | | | | | | | | | | | | | | | | | | | | | | | | | | | | | | | | | | | | | | | | | | | | | | | | | | | | | | | | | | | | | | | | | | | | | | | | | | | | | | | | | | | | | | | | | | | | | | | | | | | | | | | | | | | | | | | | | | | | | | | | | | | | | | | | | | | | | | | | | | | | | | | | | | | | | | | | | | | | | | | | | | | | | | | | | | | | | | | | | | | | | | | | | | | | | | | | | | | | | | | | | | | | | | | | | | | | | | | | | | | | | | | | | | | | | | | | | | | | | | | | | | | | | | | | | | | | | | | | | | | | | | | | | | | | | | | | |
| SALEABLE | NOT APPLICABLE | 34822-0673 | 0 | A | BLACK | 64 | | | | | | | 58 | 57 | 56 | 55 | | | 52 | 51 | 50 | | | | | | | | | 48 | 47 | 46 | 45 | 44 | 43 | 42 | 41 | 40 | 39 | | | 36 | | 34 | | | | | | | | | | | 65 | | | | 32 | | 30 | 29 | | 27 | 26 | 25 | | | | | | | | | | | | | | | | | | 16 | | | | 12 | 11 | 10 | 9 | | 6 | 5 | | | | | SALEABLE | NOT APPLICABLE | 34822-0683 | 9 | A | BLACK | | 63 | 62 | 61 | 60 | 59 | | | | | 54 | 53 | | | | | 49 | | | | | | | | | | | | 44 | | | | | | 38 | 37 | | 35 | | 33 | | | | | | | | | 65 | | | | | 31 | | | 28 | | | | 24 | 23 | 22 | 21 | 20 | 19 | 18 | 17 | | | | | | | | | | | | 15 | 14 | 13 | | | | | 8 | 7 | | | 4 | 3 | 2 | 1 | SALEABLE | NOT APPLICABLE | 34822-0693 | 9 | C | BLUE | | | | | 62 | 61 | | | 58 | | | 54 | | | | | | | | | | | | | | | | | | 44 | 43 | | 41 | 40 | | | | | | | | | | | | | | | 65 | | | | | | 31 | | | | | | | | | | 20 | 19 | | | | | | | | | | | | | | | | | | | | | | | 5 | 4 | | | SALEABLE | NOT APPLICABLE | 34566-0154 | 9 | B | ST GRN | 72 | 71 | 70 | 69 | 68 | 67 | 66 | 65 | 64 | 63 | 62 | 61 | 60 | 59 | 57 | 56 | 55 | 54 | 53 | | | | | | | 52 | 51 | 50 | 49 | 48 | 47 | 46 | 45 | 44 | 43 | 42 | 41 | 40 | 39 | | 36 | 35 | 34 | 33 | | | | | | | 73 | | | | 32 | 31 | 30 | 29 | 28 | 27 | 26 | 25 | 24 | 23 | 22 | 21 | | | | | | | | | | | | | | 16 | 15 | 14 | 13 | 12 | 11 | 10 | 9 | 8 | 7 | 6 | | | 3 | 2 | SALEABLE | NOT APPLICABLE | 34566-0164 | 0 | G | BLUE | 80 | 79 | 78 | 77 | | | 75 | | | | | | | | 66 | 65 | 64 | | 62 | | | | | | | | | | | | | | | | | | | | | 46 | | 44 | 43 | 42 | 41 | | | | | | | | | | | | | | | | | | | | | | | | | | | | | | | | | | | | | | | | | | | | | | 26 | 25 | 24 | | 22 | 21 | | | | | | | | | | | | | | | | | | | | | | | | | | | | | | | | | | | | | | | | | | | | | | | | | | | | | | | | | | | | | | | | | | | | | | | | | | | | | | | | | | | | | | | | | | | | | | | | | | | | | | | | | | | | | | | | | | | | | | | | | | | | | | | | | | | | | | | | | | | | | | | | | | | | | | | | | | | | | | | | | | | | | | | | | | | | | | | | SALEABLE | NOT APPLICABLE | 34566-0174 | 9 | B | ST GRN | 72 | 71 | 70 | | | | 67 | 66 | | | | | 60 | | | | | | | | | | | | 52 | 51 | 50 | | | | 47 | 46 | | | | | | 39 | | 37 | | 35 | 33 | | | | | | | 73 | | | | | | 30 | 29 | 28 | | | 25 | 24 | 23 | 22 | | 20 | 19 | | 17 | | | | | | | | | | | | | | | | | | | | | 8 | 7 | | 3 | 1 | SALEABLE | NOT APPLICABLE | 34566-0184 | 9 | B | ST GRN | 72 | 71 | 70 | 69 | 68 | 67 | 66 | 65 | 64 | 63 | | 61 | | | 58 | 57 | 56 | 55 | 54 | 53 | | | | | | | 52 | 51 | 50 | 49 | 48 | 47 | 46 | 45 | 44 | 43 | 42 | 41 | 40 | | 37 | 36 | | | | | | | | | | 73 | | | | 32 | | 30 | 29 | 28 | | | 26 | 25 | 24 | | | 21 | | | | | | | | | | | | | 16 | | 14 | 13 | 12 | 11 | 10 | 9 | 8 | | | 6 | 5 | | 1 | | | | | | | | | | | | | | | | | | | | | | | | | | | | | | | | | | | | | | | | | | | | | | | | | | | | | | | | | | | | | | | | | | | | | | | | | | | | | | | | | | | | | | | | | | | | | | | | | | | | | | | | | | | | | | | | | | | | | | | | | | | | | | | | | | | | | | | | | | | | | | | | | | | | | | | | | | | | | | | | | | | | | | | | | | | | | | | | | | | | | | | | | | | | | | | | | | | | | | | | | | | | | | | | | | | | | | | | | | | | | | | | | | | | | | | | | | | | | | | | | | | | | | | | | | | | | | | | | | | | | | | | | | | | | | | | | | | | | | | | | | | | | | | | | | | | | | | | | | | | | | | | | | | | | | | | | | | | | | | | | | | | | | | | | | | | | | | | | | | | | | | | | | | | | | | | | | | | | | | | | | | | | | | | | | | | | | | | | | | | | | | | | | | | | | | | | | | | | | | | | | | | | | | | | | | | | | | | | | | | | | | | | | | | | | | | | | | | | | | | | | | | | | | | | | | | | | | | | | | | | | | | | | | | | | | | | | | | | | | | | | | | | | | | | | | | | | | | | | | | | | | | | | | | | | | | | | | | |
| | | | | | | 48 | 47 | 46 | 45 | 44 | 43 | 42 | 41 | 40 | 39 | | | 36 | | 34 | | | | | | | | | | | 65 | | | | 32 | | 30 | 29 | | 27 | 26 | 25 | | | | | | | | | | | | | | | | | | 16 | | | | 12 | 11 | 10 | 9 | | 6 | 5 | | | | | SALEABLE | NOT APPLICABLE | 34822-0683 | 9 | A | BLACK | | 63 | 62 | 61 | 60 | 59 | | | | | 54 | 53 | | | | | 49 | | | | | | | | | | | | 44 | | | | | | 38 | 37 | | 35 | | 33 | | | | | | | | | 65 | | | | | 31 | | | 28 | | | | 24 | 23 | 22 | 21 | 20 | 19 | 18 | 17 | | | | | | | | | | | | 15 | 14 | 13 | | | | | 8 | 7 | | | 4 | 3 | 2 | 1 | SALEABLE | NOT APPLICABLE | 34822-0693 | 9 | C | BLUE | | | | | 62 | 61 | | | 58 | | | 54 | | | | | | | | | | | | | | | | | | 44 | 43 | | 41 | 40 | | | | | | | | | | | | | | | 65 | | | | | | 31 | | | | | | | | | | 20 | 19 | | | | | | | | | | | | | | | | | | | | | | | 5 | 4 | | | SALEABLE | NOT APPLICABLE | 34566-0154 | 9 | B | ST GRN | 72 | 71 | 70 | 69 | 68 | 67 | 66 | 65 | 64 | 63 | 62 | 61 | 60 | 59 | 57 | 56 | 55 | 54 | 53 | | | | | | | 52 | 51 | 50 | 49 | 48 | 47 | 46 | 45 | 44 | 43 | 42 | 41 | 40 | 39 | | 36 | 35 | 34 | 33 | | | | | | | 73 | | | | 32 | 31 | 30 | 29 | 28 | 27 | 26 | 25 | 24 | 23 | 22 | 21 | | | | | | | | | | | | | | 16 | 15 | 14 | 13 | 12 | 11 | 10 | 9 | 8 | 7 | 6 | | | 3 | 2 | SALEABLE | NOT APPLICABLE | 34566-0164 | 0 | G | BLUE | 80 | 79 | 78 | 77 | | | 75 | | | | | | | | 66 | 65 | 64 | | 62 | | | | | | | | | | | | | | | | | | | | | 46 | | 44 | 43 | 42 | 41 | | | | | | | | | | | | | | | | | | | | | | | | | | | | | | | | | | | | | | | | | | | | | | 26 | 25 | 24 | | 22 | 21 | | | | | | | | | | | | | | | | | | | | | | | | | | | | | | | | | | | | | | | | | | | | | | | | | | | | | | | | | | | | | | | | | | | | | | | | | | | | | | | | | | | | | | | | | | | | | | | | | | | | | | | | | | | | | | | | | | | | | | | | | | | | | | | | | | | | | | | | | | | | | | | | | | | | | | | | | | | | | | | | | | | | | | | | | | | | | | | | SALEABLE | NOT APPLICABLE | 34566-0174 | 9 | B | ST GRN | 72 | 71 | 70 | | | | 67 | 66 | | | | | 60 | | | | | | | | | | | | 52 | 51 | 50 | | | | 47 | 46 | | | | | | 39 | | 37 | | 35 | 33 | | | | | | | 73 | | | | | | 30 | 29 | 28 | | | 25 | 24 | 23 | 22 | | 20 | 19 | | 17 | | | | | | | | | | | | | | | | | | | | | 8 | 7 | | 3 | 1 | SALEABLE | NOT APPLICABLE | 34566-0184 | 9 | B | ST GRN | 72 | 71 | 70 | 69 | 68 | 67 | 66 | 65 | 64 | 63 | | 61 | | | 58 | 57 | 56 | 55 | 54 | 53 | | | | | | | 52 | 51 | 50 | 49 | 48 | 47 | 46 | 45 | 44 | 43 | 42 | 41 | 40 | | 37 | 36 | | | | | | | | | | 73 | | | | 32 | | 30 | 29 | 28 | | | 26 | 25 | 24 | | | 21 | | | | | | | | | | | | | 16 | | 14 | 13 | 12 | 11 | 10 | 9 | 8 | | | 6 | 5 | | 1 | | | | | | | | | | | | | | | | | | | | | | | | | | | | | | | | | | | | | | | | | | | | | | | | | | | | | | | | | | | | | | | | | | | | | | | | | | | | | | | | | | | | | | | | | | | | | | | | | | | | | | | | | | | | | | | | | | | | | | | | | | | | | | | | | | | | | | | | | | | | | | | | | | | | | | | | | | | | | | | | | | | | | | | | | | | | | | | | | | | | | | | | | | | | | | | | | | | | | | | | | | | | | | | | | | | | | | | | | | | | | | | | | | | | | | | | | | | | | | | | | | | | | | | | | | | | | | | | | | | | | | | | | | | | | | | | | | | | | | | | | | | | | | | | | | | | | | | | | | | | | | | | | | | | | | | | | | | | | | | | | | | | | | | | | | | | | | | | | | | | | | | | | | | | | | | | | | | | | | | | | | | | | | | | | | | | | | | | | | | | | | | | | | | | | | | | | | | | | | | | | | | | | | | | | | | | | | | | | | | | | | | | | | | | | | | | | | | | | | | | | | | | | | | | | | | | | | | | | | | | | | | | | | | | | | | | | | | | | | | | | | | | | | | | | | | | | | | | | | | | | | | | | | | | | | | | | | | | | | | | | | | | | | | | | | | | | | | | | | | | |
| | | | | | | 65 | | | | 32 | | 30 | 29 | | 27 | 26 | 25 | | | | | | | | | | | | | | | | | | 16 | | | | 12 | 11 | 10 | 9 | | 6 | 5 | | | | | SALEABLE | NOT APPLICABLE | 34822-0683 | 9 | A | BLACK | | 63 | 62 | 61 | 60 | 59 | | | | | 54 | 53 | | | | | 49 | | | | | | | | | | | | 44 | | | | | | 38 | 37 | | 35 | | 33 | | | | | | | | | 65 | | | | | 31 | | | 28 | | | | 24 | 23 | 22 | 21 | 20 | 19 | 18 | 17 | | | | | | | | | | | | 15 | 14 | 13 | | | | | 8 | 7 | | | 4 | 3 | 2 | 1 | SALEABLE | NOT APPLICABLE | 34822-0693 | 9 | C | BLUE | | | | | 62 | 61 | | | 58 | | | 54 | | | | | | | | | | | | | | | | | | 44 | 43 | | 41 | 40 | | | | | | | | | | | | | | | 65 | | | | | | 31 | | | | | | | | | | 20 | 19 | | | | | | | | | | | | | | | | | | | | | | | 5 | 4 | | | SALEABLE | NOT APPLICABLE | 34566-0154 | 9 | B | ST GRN | 72 | 71 | 70 | 69 | 68 | 67 | 66 | 65 | 64 | 63 | 62 | 61 | 60 | 59 | 57 | 56 | 55 | 54 | 53 | | | | | | | 52 | 51 | 50 | 49 | 48 | 47 | 46 | 45 | 44 | 43 | 42 | 41 | 40 | 39 | | 36 | 35 | 34 | 33 | | | | | | | 73 | | | | 32 | 31 | 30 | 29 | 28 | 27 | 26 | 25 | 24 | 23 | 22 | 21 | | | | | | | | | | | | | | 16 | 15 | 14 | 13 | 12 | 11 | 10 | 9 | 8 | 7 | 6 | | | 3 | 2 | SALEABLE | NOT APPLICABLE | 34566-0164 | 0 | G | BLUE | 80 | 79 | 78 | 77 | | | 75 | | | | | | | | 66 | 65 | 64 | | 62 | | | | | | | | | | | | | | | | | | | | | 46 | | 44 | 43 | 42 | 41 | | | | | | | | | | | | | | | | | | | | | | | | | | | | | | | | | | | | | | | | | | | | | | 26 | 25 | 24 | | 22 | 21 | | | | | | | | | | | | | | | | | | | | | | | | | | | | | | | | | | | | | | | | | | | | | | | | | | | | | | | | | | | | | | | | | | | | | | | | | | | | | | | | | | | | | | | | | | | | | | | | | | | | | | | | | | | | | | | | | | | | | | | | | | | | | | | | | | | | | | | | | | | | | | | | | | | | | | | | | | | | | | | | | | | | | | | | | | | | | | | | SALEABLE | NOT APPLICABLE | 34566-0174 | 9 | B | ST GRN | 72 | 71 | 70 | | | | 67 | 66 | | | | | 60 | | | | | | | | | | | | 52 | 51 | 50 | | | | 47 | 46 | | | | | | 39 | | 37 | | 35 | 33 | | | | | | | 73 | | | | | | 30 | 29 | 28 | | | 25 | 24 | 23 | 22 | | 20 | 19 | | 17 | | | | | | | | | | | | | | | | | | | | | 8 | 7 | | 3 | 1 | SALEABLE | NOT APPLICABLE | 34566-0184 | 9 | B | ST GRN | 72 | 71 | 70 | 69 | 68 | 67 | 66 | 65 | 64 | 63 | | 61 | | | 58 | 57 | 56 | 55 | 54 | 53 | | | | | | | 52 | 51 | 50 | 49 | 48 | 47 | 46 | 45 | 44 | 43 | 42 | 41 | 40 | | 37 | 36 | | | | | | | | | | 73 | | | | 32 | | 30 | 29 | 28 | | | 26 | 25 | 24 | | | 21 | | | | | | | | | | | | | 16 | | 14 | 13 | 12 | 11 | 10 | 9 | 8 | | | 6 | 5 | | 1 | | | | | | | | | | | | | | | | | | | | | | | | | | | | | | | | | | | | | | | | | | | | | | | | | | | | | | | | | | | | | | | | | | | | | | | | | | | | | | | | | | | | | | | | | | | | | | | | | | | | | | | | | | | | | | | | | | | | | | | | | | | | | | | | | | | | | | | | | | | | | | | | | | | | | | | | | | | | | | | | | | | | | | | | | | | | | | | | | | | | | | | | | | | | | | | | | | | | | | | | | | | | | | | | | | | | | | | | | | | | | | | | | | | | | | | | | | | | | | | | | | | | | | | | | | | | | | | | | | | | | | | | | | | | | | | | | | | | | | | | | | | | | | | | | | | | | | | | | | | | | | | | | | | | | | | | | | | | | | | | | | | | | | | | | | | | | | | | | | | | | | | | | | | | | | | | | | | | | | | | | | | | | | | | | | | | | | | | | | | | | | | | | | | | | | | | | | | | | | | | | | | | | | | | | | | | | | | | | | | | | | | | | | | | | | | | | | | | | | | | | | | | | | | | | | | | | | | | | | | | | | | | | | | | | | | | | | | | | | | | | | | | | | | | | | | | | | | | | | | | | | | | | | | | | | | | | | | | | | | | | | | | | | | | | | | | | | | | | | | | | | | | | | | | | | | | | | | | | | | | | | | | | |
| | | | | | | | | | | 16 | | | | 12 | 11 | 10 | 9 | | 6 | 5 | | | | | SALEABLE | NOT APPLICABLE | 34822-0683 | 9 | A | BLACK | | 63 | 62 | 61 | 60 | 59 | | | | | 54 | 53 | | | | | 49 | | | | | | | | | | | | 44 | | | | | | 38 | 37 | | 35 | | 33 | | | | | | | | | 65 | | | | | 31 | | | 28 | | | | 24 | 23 | 22 | 21 | 20 | 19 | 18 | 17 | | | | | | | | | | | | 15 | 14 | 13 | | | | | 8 | 7 | | | 4 | 3 | 2 | 1 | SALEABLE | NOT APPLICABLE | 34822-0693 | 9 | C | BLUE | | | | | 62 | 61 | | | 58 | | | 54 | | | | | | | | | | | | | | | | | | 44 | 43 | | 41 | 40 | | | | | | | | | | | | | | | 65 | | | | | | 31 | | | | | | | | | | 20 | 19 | | | | | | | | | | | | | | | | | | | | | | | 5 | 4 | | | SALEABLE | NOT APPLICABLE | 34566-0154 | 9 | B | ST GRN | 72 | 71 | 70 | 69 | 68 | 67 | 66 | 65 | 64 | 63 | 62 | 61 | 60 | 59 | 57 | 56 | 55 | 54 | 53 | | | | | | | 52 | 51 | 50 | 49 | 48 | 47 | 46 | 45 | 44 | 43 | 42 | 41 | 40 | 39 | | 36 | 35 | 34 | 33 | | | | | | | 73 | | | | 32 | 31 | 30 | 29 | 28 | 27 | 26 | 25 | 24 | 23 | 22 | 21 | | | | | | | | | | | | | | 16 | 15 | 14 | 13 | 12 | 11 | 10 | 9 | 8 | 7 | 6 | | | 3 | 2 | SALEABLE | NOT APPLICABLE | 34566-0164 | 0 | G | BLUE | 80 | 79 | 78 | 77 | | | 75 | | | | | | | | 66 | 65 | 64 | | 62 | | | | | | | | | | | | | | | | | | | | | 46 | | 44 | 43 | 42 | 41 | | | | | | | | | | | | | | | | | | | | | | | | | | | | | | | | | | | | | | | | | | | | | | 26 | 25 | 24 | | 22 | 21 | | | | | | | | | | | | | | | | | | | | | | | | | | | | | | | | | | | | | | | | | | | | | | | | | | | | | | | | | | | | | | | | | | | | | | | | | | | | | | | | | | | | | | | | | | | | | | | | | | | | | | | | | | | | | | | | | | | | | | | | | | | | | | | | | | | | | | | | | | | | | | | | | | | | | | | | | | | | | | | | | | | | | | | | | | | | | | | | SALEABLE | NOT APPLICABLE | 34566-0174 | 9 | B | ST GRN | 72 | 71 | 70 | | | | 67 | 66 | | | | | 60 | | | | | | | | | | | | 52 | 51 | 50 | | | | 47 | 46 | | | | | | 39 | | 37 | | 35 | 33 | | | | | | | 73 | | | | | | 30 | 29 | 28 | | | 25 | 24 | 23 | 22 | | 20 | 19 | | 17 | | | | | | | | | | | | | | | | | | | | | 8 | 7 | | 3 | 1 | SALEABLE | NOT APPLICABLE | 34566-0184 | 9 | B | ST GRN | 72 | 71 | 70 | 69 | 68 | 67 | 66 | 65 | 64 | 63 | | 61 | | | 58 | 57 | 56 | 55 | 54 | 53 | | | | | | | 52 | 51 | 50 | 49 | 48 | 47 | 46 | 45 | 44 | 43 | 42 | 41 | 40 | | 37 | 36 | | | | | | | | | | 73 | | | | 32 | | 30 | 29 | 28 | | | 26 | 25 | 24 | | | 21 | | | | | | | | | | | | | 16 | | 14 | 13 | 12 | 11 | 10 | 9 | 8 | | | 6 | 5 | | 1 | | | | | | | | | | | | | | | | | | | | | | | | | | | | | | | | | | | | | | | | | | | | | | | | | | | | | | | | | | | | | | | | | | | | | | | | | | | | | | | | | | | | | | | | | | | | | | | | | | | | | | | | | | | | | | | | | | | | | | | | | | | | | | | | | | | | | | | | | | | | | | | | | | | | | | | | | | | | | | | | | | | | | | | | | | | | | | | | | | | | | | | | | | | | | | | | | | | | | | | | | | | | | | | | | | | | | | | | | | | | | | | | | | | | | | | | | | | | | | | | | | | | | | | | | | | | | | | | | | | | | | | | | | | | | | | | | | | | | | | | | | | | | | | | | | | | | | | | | | | | | | | | | | | | | | | | | | | | | | | | | | | | | | | | | | | | | | | | | | | | | | | | | | | | | | | | | | | | | | | | | | | | | | | | | | | | | | | | | | | | | | | | | | | | | | | | | | | | | | | | | | | | | | | | | | | | | | | | | | | | | | | | | | | | | | | | | | | | | | | | | | | | | | | | | | | | | | | | | | | | | | | | | | | | | | | | | | | | | | | | | | | | | | | | | | | | | | | | | | | | | | | | | | | | | | | | | | | | | | | | | | | | | | | | | | | | | | | | | | | | | | | | | | | | | | | | | | | | | | | | | | | | | | | | | | | | | | | | | | | | | | | | | | | | | | |
| SALEABLE | NOT APPLICABLE | 34822-0683 | 9 | A | BLACK | | 63 | 62 | 61 | 60 | 59 | | | | | 54 | 53 | | | | | 49 | | | | | | | | | | | | 44 | | | | | | 38 | 37 | | 35 | | 33 | | | | | | | | | 65 | | | | | 31 | | | 28 | | | | 24 | 23 | 22 | 21 | 20 | 19 | 18 | 17 | | | | | | | | | | | | 15 | 14 | 13 | | | | | 8 | 7 | | | 4 | 3 | 2 | 1 | SALEABLE | NOT APPLICABLE | 34822-0693 | 9 | C | BLUE | | | | | 62 | 61 | | | 58 | | | 54 | | | | | | | | | | | | | | | | | | 44 | 43 | | 41 | 40 | | | | | | | | | | | | | | | 65 | | | | | | 31 | | | | | | | | | | 20 | 19 | | | | | | | | | | | | | | | | | | | | | | | 5 | 4 | | | SALEABLE | NOT APPLICABLE | 34566-0154 | 9 | B | ST GRN | 72 | 71 | 70 | 69 | 68 | 67 | 66 | 65 | 64 | 63 | 62 | 61 | 60 | 59 | 57 | 56 | 55 | 54 | 53 | | | | | | | 52 | 51 | 50 | 49 | 48 | 47 | 46 | 45 | 44 | 43 | 42 | 41 | 40 | 39 | | 36 | 35 | 34 | 33 | | | | | | | 73 | | | | 32 | 31 | 30 | 29 | 28 | 27 | 26 | 25 | 24 | 23 | 22 | 21 | | | | | | | | | | | | | | 16 | 15 | 14 | 13 | 12 | 11 | 10 | 9 | 8 | 7 | 6 | | | 3 | 2 | SALEABLE | NOT APPLICABLE | 34566-0164 | 0 | G | BLUE | 80 | 79 | 78 | 77 | | | 75 | | | | | | | | 66 | 65 | 64 | | 62 | | | | | | | | | | | | | | | | | | | | | 46 | | 44 | 43 | 42 | 41 | | | | | | | | | | | | | | | | | | | | | | | | | | | | | | | | | | | | | | | | | | | | | | 26 | 25 | 24 | | 22 | 21 | | | | | | | | | | | | | | | | | | | | | | | | | | | | | | | | | | | | | | | | | | | | | | | | | | | | | | | | | | | | | | | | | | | | | | | | | | | | | | | | | | | | | | | | | | | | | | | | | | | | | | | | | | | | | | | | | | | | | | | | | | | | | | | | | | | | | | | | | | | | | | | | | | | | | | | | | | | | | | | | | | | | | | | | | | | | | | | | SALEABLE | NOT APPLICABLE | 34566-0174 | 9 | B | ST GRN | 72 | 71 | 70 | | | | 67 | 66 | | | | | 60 | | | | | | | | | | | | 52 | 51 | 50 | | | | 47 | 46 | | | | | | 39 | | 37 | | 35 | 33 | | | | | | | 73 | | | | | | 30 | 29 | 28 | | | 25 | 24 | 23 | 22 | | 20 | 19 | | 17 | | | | | | | | | | | | | | | | | | | | | 8 | 7 | | 3 | 1 | SALEABLE | NOT APPLICABLE | 34566-0184 | 9 | B | ST GRN | 72 | 71 | 70 | 69 | 68 | 67 | 66 | 65 | 64 | 63 | | 61 | | | 58 | 57 | 56 | 55 | 54 | 53 | | | | | | | 52 | 51 | 50 | 49 | 48 | 47 | 46 | 45 | 44 | 43 | 42 | 41 | 40 | | 37 | 36 | | | | | | | | | | 73 | | | | 32 | | 30 | 29 | 28 | | | 26 | 25 | 24 | | | 21 | | | | | | | | | | | | | 16 | | 14 | 13 | 12 | 11 | 10 | 9 | 8 | | | 6 | 5 | | 1 | | | | | | | | | | | | | | | | | | | | | | | | | | | | | | | | | | | | | | | | | | | | | | | | | | | | | | | | | | | | | | | | | | | | | | | | | | | | | | | | | | | | | | | | | | | | | | | | | | | | | | | | | | | | | | | | | | | | | | | | | | | | | | | | | | | | | | | | | | | | | | | | | | | | | | | | | | | | | | | | | | | | | | | | | | | | | | | | | | | | | | | | | | | | | | | | | | | | | | | | | | | | | | | | | | | | | | | | | | | | | | | | | | | | | | | | | | | | | | | | | | | | | | | | | | | | | | | | | | | | | | | | | | | | | | | | | | | | | | | | | | | | | | | | | | | | | | | | | | | | | | | | | | | | | | | | | | | | | | | | | | | | | | | | | | | | | | | | | | | | | | | | | | | | | | | | | | | | | | | | | | | | | | | | | | | | | | | | | | | | | | | | | | | | | | | | | | | | | | | | | | | | | | | | | | | | | | | | | | | | | | | | | | | | | | | | | | | | | | | | | | | | | | | | | | | | | | | | | | | | | | | | | | | | | | | | | | | | | | | | | | | | | | | | | | | | | | | | | | | | | | | | | | | | | | | | | | | | | | | | | | | | | | | | | | | | | | | | | | | | | | | | | | | | | | | | | | | | | | | | | | | | | | | | | | | | | | | | | | | | | | | | | | | | | | | | | | | | | | | | | | | | | | | | | | | | | | | |
| | | | | | | | | | | 44 | | | | | | 38 | 37 | | 35 | | 33 | | | | | | | | | 65 | | | | | 31 | | | 28 | | | | 24 | 23 | 22 | 21 | 20 | 19 | 18 | 17 | | | | | | | | | | | | 15 | 14 | 13 | | | | | 8 | 7 | | | 4 | 3 | 2 | 1 | SALEABLE | NOT APPLICABLE | 34822-0693 | 9 | C | BLUE | | | | | 62 | 61 | | | 58 | | | 54 | | | | | | | | | | | | | | | | | | 44 | 43 | | 41 | 40 | | | | | | | | | | | | | | | 65 | | | | | | 31 | | | | | | | | | | 20 | 19 | | | | | | | | | | | | | | | | | | | | | | | 5 | 4 | | | SALEABLE | NOT APPLICABLE | 34566-0154 | 9 | B | ST GRN | 72 | 71 | 70 | 69 | 68 | 67 | 66 | 65 | 64 | 63 | 62 | 61 | 60 | 59 | 57 | 56 | 55 | 54 | 53 | | | | | | | 52 | 51 | 50 | 49 | 48 | 47 | 46 | 45 | 44 | 43 | 42 | 41 | 40 | 39 | | 36 | 35 | 34 | 33 | | | | | | | 73 | | | | 32 | 31 | 30 | 29 | 28 | 27 | 26 | 25 | 24 | 23 | 22 | 21 | | | | | | | | | | | | | | 16 | 15 | 14 | 13 | 12 | 11 | 10 | 9 | 8 | 7 | 6 | | | 3 | 2 | SALEABLE | NOT APPLICABLE | 34566-0164 | 0 | G | BLUE | 80 | 79 | 78 | 77 | | | 75 | | | | | | | | 66 | 65 | 64 | | 62 | | | | | | | | | | | | | | | | | | | | | 46 | | 44 | 43 | 42 | 41 | | | | | | | | | | | | | | | | | | | | | | | | | | | | | | | | | | | | | | | | | | | | | | 26 | 25 | 24 | | 22 | 21 | | | | | | | | | | | | | | | | | | | | | | | | | | | | | | | | | | | | | | | | | | | | | | | | | | | | | | | | | | | | | | | | | | | | | | | | | | | | | | | | | | | | | | | | | | | | | | | | | | | | | | | | | | | | | | | | | | | | | | | | | | | | | | | | | | | | | | | | | | | | | | | | | | | | | | | | | | | | | | | | | | | | | | | | | | | | | | | | SALEABLE | NOT APPLICABLE | 34566-0174 | 9 | B | ST GRN | 72 | 71 | 70 | | | | 67 | 66 | | | | | 60 | | | | | | | | | | | | 52 | 51 | 50 | | | | 47 | 46 | | | | | | 39 | | 37 | | 35 | 33 | | | | | | | 73 | | | | | | 30 | 29 | 28 | | | 25 | 24 | 23 | 22 | | 20 | 19 | | 17 | | | | | | | | | | | | | | | | | | | | | 8 | 7 | | 3 | 1 | SALEABLE | NOT APPLICABLE | 34566-0184 | 9 | B | ST GRN | 72 | 71 | 70 | 69 | 68 | 67 | 66 | 65 | 64 | 63 | | 61 | | | 58 | 57 | 56 | 55 | 54 | 53 | | | | | | | 52 | 51 | 50 | 49 | 48 | 47 | 46 | 45 | 44 | 43 | 42 | 41 | 40 | | 37 | 36 | | | | | | | | | | 73 | | | | 32 | | 30 | 29 | 28 | | | 26 | 25 | 24 | | | 21 | | | | | | | | | | | | | 16 | | 14 | 13 | 12 | 11 | 10 | 9 | 8 | | | 6 | 5 | | 1 | | | | | | | | | | | | | | | | | | | | | | | | | | | | | | | | | | | | | | | | | | | | | | | | | | | | | | | | | | | | | | | | | | | | | | | | | | | | | | | | | | | | | | | | | | | | | | | | | | | | | | | | | | | | | | | | | | | | | | | | | | | | | | | | | | | | | | | | | | | | | | | | | | | | | | | | | | | | | | | | | | | | | | | | | | | | | | | | | | | | | | | | | | | | | | | | | | | | | | | | | | | | | | | | | | | | | | | | | | | | | | | | | | | | | | | | | | | | | | | | | | | | | | | | | | | | | | | | | | | | | | | | | | | | | | | | | | | | | | | | | | | | | | | | | | | | | | | | | | | | | | | | | | | | | | | | | | | | | | | | | | | | | | | | | | | | | | | | | | | | | | | | | | | | | | | | | | | | | | | | | | | | | | | | | | | | | | | | | | | | | | | | | | | | | | | | | | | | | | | | | | | | | | | | | | | | | | | | | | | | | | | | | | | | | | | | | | | | | | | | | | | | | | | | | | | | | | | | | | | | | | | | | | | | | | | | | | | | | | | | | | | | | | | | | | | | | | | | | | | | | | | | | | | | | | | | | | | | | | | | | | | | | | | | | | | | | | | | | | | | | | | | | | | | | | | | | | | | | | | | | | | | | | | | | | | | | | | | | | | | | | | | | | | | | | | | | | | | | | | | | | | | | | | | | | | | | | | | | | | | | | | | | | | | | | | | | | | | | | | |
| | | | | | | 65 | | | | | 31 | | | 28 | | | | 24 | 23 | 22 | 21 | 20 | 19 | 18 | 17 | | | | | | | | | | | | 15 | 14 | 13 | | | | | 8 | 7 | | | 4 | 3 | 2 | 1 | SALEABLE | NOT APPLICABLE | 34822-0693 | 9 | C | BLUE | | | | | 62 | 61 | | | 58 | | | 54 | | | | | | | | | | | | | | | | | | 44 | 43 | | 41 | 40 | | | | | | | | | | | | | | | 65 | | | | | | 31 | | | | | | | | | | 20 | 19 | | | | | | | | | | | | | | | | | | | | | | | 5 | 4 | | | SALEABLE | NOT APPLICABLE | 34566-0154 | 9 | B | ST GRN | 72 | 71 | 70 | 69 | 68 | 67 | 66 | 65 | 64 | 63 | 62 | 61 | 60 | 59 | 57 | 56 | 55 | 54 | 53 | | | | | | | 52 | 51 | 50 | 49 | 48 | 47 | 46 | 45 | 44 | 43 | 42 | 41 | 40 | 39 | | 36 | 35 | 34 | 33 | | | | | | | 73 | | | | 32 | 31 | 30 | 29 | 28 | 27 | 26 | 25 | 24 | 23 | 22 | 21 | | | | | | | | | | | | | | 16 | 15 | 14 | 13 | 12 | 11 | 10 | 9 | 8 | 7 | 6 | | | 3 | 2 | SALEABLE | NOT APPLICABLE | 34566-0164 | 0 | G | BLUE | 80 | 79 | 78 | 77 | | | 75 | | | | | | | | 66 | 65 | 64 | | 62 | | | | | | | | | | | | | | | | | | | | | 46 | | 44 | 43 | 42 | 41 | | | | | | | | | | | | | | | | | | | | | | | | | | | | | | | | | | | | | | | | | | | | | | 26 | 25 | 24 | | 22 | 21 | | | | | | | | | | | | | | | | | | | | | | | | | | | | | | | | | | | | | | | | | | | | | | | | | | | | | | | | | | | | | | | | | | | | | | | | | | | | | | | | | | | | | | | | | | | | | | | | | | | | | | | | | | | | | | | | | | | | | | | | | | | | | | | | | | | | | | | | | | | | | | | | | | | | | | | | | | | | | | | | | | | | | | | | | | | | | | | | SALEABLE | NOT APPLICABLE | 34566-0174 | 9 | B | ST GRN | 72 | 71 | 70 | | | | 67 | 66 | | | | | 60 | | | | | | | | | | | | 52 | 51 | 50 | | | | 47 | 46 | | | | | | 39 | | 37 | | 35 | 33 | | | | | | | 73 | | | | | | 30 | 29 | 28 | | | 25 | 24 | 23 | 22 | | 20 | 19 | | 17 | | | | | | | | | | | | | | | | | | | | | 8 | 7 | | 3 | 1 | SALEABLE | NOT APPLICABLE | 34566-0184 | 9 | B | ST GRN | 72 | 71 | 70 | 69 | 68 | 67 | 66 | 65 | 64 | 63 | | 61 | | | 58 | 57 | 56 | 55 | 54 | 53 | | | | | | | 52 | 51 | 50 | 49 | 48 | 47 | 46 | 45 | 44 | 43 | 42 | 41 | 40 | | 37 | 36 | | | | | | | | | | 73 | | | | 32 | | 30 | 29 | 28 | | | 26 | 25 | 24 | | | 21 | | | | | | | | | | | | | 16 | | 14 | 13 | 12 | 11 | 10 | 9 | 8 | | | 6 | 5 | | 1 | | | | | | | | | | | | | | | | | | | | | | | | | | | | | | | | | | | | | | | | | | | | | | | | | | | | | | | | | | | | | | | | | | | | | | | | | | | | | | | | | | | | | | | | | | | | | | | | | | | | | | | | | | | | | | | | | | | | | | | | | | | | | | | | | | | | | | | | | | | | | | | | | | | | | | | | | | | | | | | | | | | | | | | | | | | | | | | | | | | | | | | | | | | | | | | | | | | | | | | | | | | | | | | | | | | | | | | | | | | | | | | | | | | | | | | | | | | | | | | | | | | | | | | | | | | | | | | | | | | | | | | | | | | | | | | | | | | | | | | | | | | | | | | | | | | | | | | | | | | | | | | | | | | | | | | | | | | | | | | | | | | | | | | | | | | | | | | | | | | | | | | | | | | | | | | | | | | | | | | | | | | | | | | | | | | | | | | | | | | | | | | | | | | | | | | | | | | | | | | | | | | | | | | | | | | | | | | | | | | | | | | | | | | | | | | | | | | | | | | | | | | | | | | | | | | | | | | | | | | | | | | | | | | | | | | | | | | | | | | | | | | | | | | | | | | | | | | | | | | | | | | | | | | | | | | | | | | | | | | | | | | | | | | | | | | | | | | | | | | | | | | | | | | | | | | | | | | | | | | | | | | | | | | | | | | | | | | | | | | | | | | | | | | | | | | | | | | | | | | | | | | | | | | | | | | | | | | | | | | | | | | | | | | | | | | | | | | | | | | | | | | | | | | | | | | | | | | | | | | | | | | |
| | | | | | | | | | | | 15 | 14 | 13 | | | | | 8 | 7 | | | 4 | 3 | 2 | 1 | SALEABLE | NOT APPLICABLE | 34822-0693 | 9 | C | BLUE | | | | | 62 | 61 | | | 58 | | | 54 | | | | | | | | | | | | | | | | | | 44 | 43 | | 41 | 40 | | | | | | | | | | | | | | | 65 | | | | | | 31 | | | | | | | | | | 20 | 19 | | | | | | | | | | | | | | | | | | | | | | | 5 | 4 | | | SALEABLE | NOT APPLICABLE | 34566-0154 | 9 | B | ST GRN | 72 | 71 | 70 | 69 | 68 | 67 | 66 | 65 | 64 | 63 | 62 | 61 | 60 | 59 | 57 | 56 | 55 | 54 | 53 | | | | | | | 52 | 51 | 50 | 49 | 48 | 47 | 46 | 45 | 44 | 43 | 42 | 41 | 40 | 39 | | 36 | 35 | 34 | 33 | | | | | | | 73 | | | | 32 | 31 | 30 | 29 | 28 | 27 | 26 | 25 | 24 | 23 | 22 | 21 | | | | | | | | | | | | | | 16 | 15 | 14 | 13 | 12 | 11 | 10 | 9 | 8 | 7 | 6 | | | 3 | 2 | SALEABLE | NOT APPLICABLE | 34566-0164 | 0 | G | BLUE | 80 | 79 | 78 | 77 | | | 75 | | | | | | | | 66 | 65 | 64 | | 62 | | | | | | | | | | | | | | | | | | | | | 46 | | 44 | 43 | 42 | 41 | | | | | | | | | | | | | | | | | | | | | | | | | | | | | | | | | | | | | | | | | | | | | | 26 | 25 | 24 | | 22 | 21 | | | | | | | | | | | | | | | | | | | | | | | | | | | | | | | | | | | | | | | | | | | | | | | | | | | | | | | | | | | | | | | | | | | | | | | | | | | | | | | | | | | | | | | | | | | | | | | | | | | | | | | | | | | | | | | | | | | | | | | | | | | | | | | | | | | | | | | | | | | | | | | | | | | | | | | | | | | | | | | | | | | | | | | | | | | | | | | | SALEABLE | NOT APPLICABLE | 34566-0174 | 9 | B | ST GRN | 72 | 71 | 70 | | | | 67 | 66 | | | | | 60 | | | | | | | | | | | | 52 | 51 | 50 | | | | 47 | 46 | | | | | | 39 | | 37 | | 35 | 33 | | | | | | | 73 | | | | | | 30 | 29 | 28 | | | 25 | 24 | 23 | 22 | | 20 | 19 | | 17 | | | | | | | | | | | | | | | | | | | | | 8 | 7 | | 3 | 1 | SALEABLE | NOT APPLICABLE | 34566-0184 | 9 | B | ST GRN | 72 | 71 | 70 | 69 | 68 | 67 | 66 | 65 | 64 | 63 | | 61 | | | 58 | 57 | 56 | 55 | 54 | 53 | | | | | | | 52 | 51 | 50 | 49 | 48 | 47 | 46 | 45 | 44 | 43 | 42 | 41 | 40 | | 37 | 36 | | | | | | | | | | 73 | | | | 32 | | 30 | 29 | 28 | | | 26 | 25 | 24 | | | 21 | | | | | | | | | | | | | 16 | | 14 | 13 | 12 | 11 | 10 | 9 | 8 | | | 6 | 5 | | 1 | | | | | | | | | | | | | | | | | | | | | | | | | | | | | | | | | | | | | | | | | | | | | | | | | | | | | | | | | | | | | | | | | | | | | | | | | | | | | | | | | | | | | | | | | | | | | | | | | | | | | | | | | | | | | | | | | | | | | | | | | | | | | | | | | | | | | | | | | | | | | | | | | | | | | | | | | | | | | | | | | | | | | | | | | | | | | | | | | | | | | | | | | | | | | | | | | | | | | | | | | | | | | | | | | | | | | | | | | | | | | | | | | | | | | | | | | | | | | | | | | | | | | | | | | | | | | | | | | | | | | | | | | | | | | | | | | | | | | | | | | | | | | | | | | | | | | | | | | | | | | | | | | | | | | | | | | | | | | | | | | | | | | | | | | | | | | | | | | | | | | | | | | | | | | | | | | | | | | | | | | | | | | | | | | | | | | | | | | | | | | | | | | | | | | | | | | | | | | | | | | | | | | | | | | | | | | | | | | | | | | | | | | | | | | | | | | | | | | | | | | | | | | | | | | | | | | | | | | | | | | | | | | | | | | | | | | | | | | | | | | | | | | | | | | | | | | | | | | | | | | | | | | | | | | | | | | | | | | | | | | | | | | | | | | | | | | | | | | | | | | | | | | | | | | | | | | | | | | | | | | | | | | | | | | | | | | | | | | | | | | | | | | | | | | | | | | | | | | | | | | | | | | | | | | | | | | | | | | | | | | | | | | | | | | | | | | | | | | | | | | | | | | | | | | | | | | | | | | | | | | | | | | | | | | | | | | | | | | | | | | | | | | | | | | |
| SALEABLE | NOT APPLICABLE | 34822-0693 | 9 | C | BLUE | | | | | 62 | 61 | | | 58 | | | 54 | | | | | | | | | | | | | | | | | | 44 | 43 | | 41 | 40 | | | | | | | | | | | | | | | 65 | | | | | | 31 | | | | | | | | | | 20 | 19 | | | | | | | | | | | | | | | | | | | | | | | 5 | 4 | | | SALEABLE | NOT APPLICABLE | 34566-0154 | 9 | B | ST GRN | 72 | 71 | 70 | 69 | 68 | 67 | 66 | 65 | 64 | 63 | 62 | 61 | 60 | 59 | 57 | 56 | 55 | 54 | 53 | | | | | | | 52 | 51 | 50 | 49 | 48 | 47 | 46 | 45 | 44 | 43 | 42 | 41 | 40 | 39 | | 36 | 35 | 34 | 33 | | | | | | | 73 | | | | 32 | 31 | 30 | 29 | 28 | 27 | 26 | 25 | 24 | 23 | 22 | 21 | | | | | | | | | | | | | | 16 | 15 | 14 | 13 | 12 | 11 | 10 | 9 | 8 | 7 | 6 | | | 3 | 2 | SALEABLE | NOT APPLICABLE | 34566-0164 | 0 | G | BLUE | 80 | 79 | 78 | 77 | | | 75 | | | | | | | | 66 | 65 | 64 | | 62 | | | | | | | | | | | | | | | | | | | | | 46 | | 44 | 43 | 42 | 41 | | | | | | | | | | | | | | | | | | | | | | | | | | | | | | | | | | | | | | | | | | | | | | 26 | 25 | 24 | | 22 | 21 | | | | | | | | | | | | | | | | | | | | | | | | | | | | | | | | | | | | | | | | | | | | | | | | | | | | | | | | | | | | | | | | | | | | | | | | | | | | | | | | | | | | | | | | | | | | | | | | | | | | | | | | | | | | | | | | | | | | | | | | | | | | | | | | | | | | | | | | | | | | | | | | | | | | | | | | | | | | | | | | | | | | | | | | | | | | | | | | SALEABLE | NOT APPLICABLE | 34566-0174 | 9 | B | ST GRN | 72 | 71 | 70 | | | | 67 | 66 | | | | | 60 | | | | | | | | | | | | 52 | 51 | 50 | | | | 47 | 46 | | | | | | 39 | | 37 | | 35 | 33 | | | | | | | 73 | | | | | | 30 | 29 | 28 | | | 25 | 24 | 23 | 22 | | 20 | 19 | | 17 | | | | | | | | | | | | | | | | | | | | | 8 | 7 | | 3 | 1 | SALEABLE | NOT APPLICABLE | 34566-0184 | 9 | B | ST GRN | 72 | 71 | 70 | 69 | 68 | 67 | 66 | 65 | 64 | 63 | | 61 | | | 58 | 57 | 56 | 55 | 54 | 53 | | | | | | | 52 | 51 | 50 | 49 | 48 | 47 | 46 | 45 | 44 | 43 | 42 | 41 | 40 | | 37 | 36 | | | | | | | | | | 73 | | | | 32 | | 30 | 29 | 28 | | | 26 | 25 | 24 | | | 21 | | | | | | | | | | | | | 16 | | 14 | 13 | 12 | 11 | 10 | 9 | 8 | | | 6 | 5 | | 1 | | | | | | | | | | | | | | | | | | | | | | | | | | | | | | | | | | | | | | | | | | | | | | | | | | | | | | | | | | | | | | | | | | | | | | | | | | | | | | | | | | | | | | | | | | | | | | | | | | | | | | | | | | | | | | | | | | | | | | | | | | | | | | | | | | | | | | | | | | | | | | | | | | | | | | | | | | | | | | | | | | | | | | | | | | | | | | | | | | | | | | | | | | | | | | | | | | | | | | | | | | | | | | | | | | | | | | | | | | | | | | | | | | | | | | | | | | | | | | | | | | | | | | | | | | | | | | | | | | | | | | | | | | | | | | | | | | | | | | | | | | | | | | | | | | | | | | | | | | | | | | | | | | | | | | | | | | | | | | | | | | | | | | | | | | | | | | | | | | | | | | | | | | | | | | | | | | | | | | | | | | | | | | | | | | | | | | | | | | | | | | | | | | | | | | | | | | | | | | | | | | | | | | | | | | | | | | | | | | | | | | | | | | | | | | | | | | | | | | | | | | | | | | | | | | | | | | | | | | | | | | | | | | | | | | | | | | | | | | | | | | | | | | | | | | | | | | | | | | | | | | | | | | | | | | | | | | | | | | | | | | | | | | | | | | | | | | | | | | | | | | | | | | | | | | | | | | | | | | | | | | | | | | | | | | | | | | | | | | | | | | | | | | | | | | | | | | | | | | | | | | | | | | | | | | | | | | | | | | | | | | | | | | | | | | | | | | | | | | | | | | | | | | | | | | | | | | | | | | | | | | | | | | | | | | | | | | | | | | | | | | | | | | | | | | | | | | | | | | | | | | | | | | | | | | | | | | | |
| | | | | | | | | | | | 44 | 43 | | 41 | 40 | | | | | | | | | | | | | | | 65 | | | | | | 31 | | | | | | | | | | 20 | 19 | | | | | | | | | | | | | | | | | | | | | | | 5 | 4 | | | SALEABLE | NOT APPLICABLE | 34566-0154 | 9 | B | ST GRN | 72 | 71 | 70 | 69 | 68 | 67 | 66 | 65 | 64 | 63 | 62 | 61 | 60 | 59 | 57 | 56 | 55 | 54 | 53 | | | | | | | 52 | 51 | 50 | 49 | 48 | 47 | 46 | 45 | 44 | 43 | 42 | 41 | 40 | 39 | | 36 | 35 | 34 | 33 | | | | | | | 73 | | | | 32 | 31 | 30 | 29 | 28 | 27 | 26 | 25 | 24 | 23 | 22 | 21 | | | | | | | | | | | | | | 16 | 15 | 14 | 13 | 12 | 11 | 10 | 9 | 8 | 7 | 6 | | | 3 | 2 | SALEABLE | NOT APPLICABLE | 34566-0164 | 0 | G | BLUE | 80 | 79 | 78 | 77 | | | 75 | | | | | | | | 66 | 65 | 64 | | 62 | | | | | | | | | | | | | | | | | | | | | 46 | | 44 | 43 | 42 | 41 | | | | | | | | | | | | | | | | | | | | | | | | | | | | | | | | | | | | | | | | | | | | | | 26 | 25 | 24 | | 22 | 21 | | | | | | | | | | | | | | | | | | | | | | | | | | | | | | | | | | | | | | | | | | | | | | | | | | | | | | | | | | | | | | | | | | | | | | | | | | | | | | | | | | | | | | | | | | | | | | | | | | | | | | | | | | | | | | | | | | | | | | | | | | | | | | | | | | | | | | | | | | | | | | | | | | | | | | | | | | | | | | | | | | | | | | | | | | | | | | | | SALEABLE | NOT APPLICABLE | 34566-0174 | 9 | B | ST GRN | 72 | 71 | 70 | | | | 67 | 66 | | | | | 60 | | | | | | | | | | | | 52 | 51 | 50 | | | | 47 | 46 | | | | | | 39 | | 37 | | 35 | 33 | | | | | | | 73 | | | | | | 30 | 29 | 28 | | | 25 | 24 | 23 | 22 | | 20 | 19 | | 17 | | | | | | | | | | | | | | | | | | | | | 8 | 7 | | 3 | 1 | SALEABLE | NOT APPLICABLE | 34566-0184 | 9 | B | ST GRN | 72 | 71 | 70 | 69 | 68 | 67 | 66 | 65 | 64 | 63 | | 61 | | | 58 | 57 | 56 | 55 | 54 | 53 | | | | | | | 52 | 51 | 50 | 49 | 48 | 47 | 46 | 45 | 44 | 43 | 42 | 41 | 40 | | 37 | 36 | | | | | | | | | | 73 | | | | 32 | | 30 | 29 | 28 | | | 26 | 25 | 24 | | | 21 | | | | | | | | | | | | | 16 | | 14 | 13 | 12 | 11 | 10 | 9 | 8 | | | 6 | 5 | | 1 | | | | | | | | | | | | | | | | | | | | | | | | | | | | | | | | | | | | | | | | | | | | | | | | | | | | | | | | | | | | | | | | | | | | | | | | | | | | | | | | | | | | | | | | | | | | | | | | | | | | | | | | | | | | | | | | | | | | | | | | | | | | | | | | | | | | | | | | | | | | | | | | | | | | | | | | | | | | | | | | | | | | | | | | | | | | | | | | | | | | | | | | | | | | | | | | | | | | | | | | | | | | | | | | | | | | | | | | | | | | | | | | | | | | | | | | | | | | | | | | | | | | | | | | | | | | | | | | | | | | | | | | | | | | | | | | | | | | | | | | | | | | | | | | | | | | | | | | | | | | | | | | | | | | | | | | | | | | | | | | | | | | | | | | | | | | | | | | | | | | | | | | | | | | | | | | | | | | | | | | | | | | | | | | | | | | | | | | | | | | | | | | | | | | | | | | | | | | | | | | | | | | | | | | | | | | | | | | | | | | | | | | | | | | | | | | | | | | | | | | | | | | | | | | | | | | | | | | | | | | | | | | | | | | | | | | | | | | | | | | | | | | | | | | | | | | | | | | | | | | | | | | | | | | | | | | | | | | | | | | | | | | | | | | | | | | | | | | | | | | | | | | | | | | | | | | | | | | | | | | | | | | | | | | | | | | | | | | | | | | | | | | | | | | | | | | | | | | | | | | | | | | | | | | | | | | | | | | | | | | | | | | | | | | | | | | | | | | | | | | | | | | | | | | | | | | | | | | | | | | | | | | | | | | | | | | | | | | | | | | | | | | | | | | | | | | | | | | | | | | | | | | | | | | | | | | | | | | | | | | | | | | | | | | | | | | | | | | | | | |
| | | | | | | 65 | | | | | | 31 | | | | | | | | | | 20 | 19 | | | | | | | | | | | | | | | | | | | | | | | 5 | 4 | | | SALEABLE | NOT APPLICABLE | 34566-0154 | 9 | B | ST GRN | 72 | 71 | 70 | 69 | 68 | 67 | 66 | 65 | 64 | 63 | 62 | 61 | 60 | 59 | 57 | 56 | 55 | 54 | 53 | | | | | | | 52 | 51 | 50 | 49 | 48 | 47 | 46 | 45 | 44 | 43 | 42 | 41 | 40 | 39 | | 36 | 35 | 34 | 33 | | | | | | | 73 | | | | 32 | 31 | 30 | 29 | 28 | 27 | 26 | 25 | 24 | 23 | 22 | 21 | | | | | | | | | | | | | | 16 | 15 | 14 | 13 | 12 | 11 | 10 | 9 | 8 | 7 | 6 | | | 3 | 2 | SALEABLE | NOT APPLICABLE | 34566-0164 | 0 | G | BLUE | 80 | 79 | 78 | 77 | | | 75 | | | | | | | | 66 | 65 | 64 | | 62 | | | | | | | | | | | | | | | | | | | | | 46 | | 44 | 43 | 42 | 41 | | | | | | | | | | | | | | | | | | | | | | | | | | | | | | | | | | | | | | | | | | | | | | 26 | 25 | 24 | | 22 | 21 | | | | | | | | | | | | | | | | | | | | | | | | | | | | | | | | | | | | | | | | | | | | | | | | | | | | | | | | | | | | | | | | | | | | | | | | | | | | | | | | | | | | | | | | | | | | | | | | | | | | | | | | | | | | | | | | | | | | | | | | | | | | | | | | | | | | | | | | | | | | | | | | | | | | | | | | | | | | | | | | | | | | | | | | | | | | | | | | SALEABLE | NOT APPLICABLE | 34566-0174 | 9 | B | ST GRN | 72 | 71 | 70 | | | | 67 | 66 | | | | | 60 | | | | | | | | | | | | 52 | 51 | 50 | | | | 47 | 46 | | | | | | 39 | | 37 | | 35 | 33 | | | | | | | 73 | | | | | | 30 | 29 | 28 | | | 25 | 24 | 23 | 22 | | 20 | 19 | | 17 | | | | | | | | | | | | | | | | | | | | | 8 | 7 | | 3 | 1 | SALEABLE | NOT APPLICABLE | 34566-0184 | 9 | B | ST GRN | 72 | 71 | 70 | 69 | 68 | 67 | 66 | 65 | 64 | 63 | | 61 | | | 58 | 57 | 56 | 55 | 54 | 53 | | | | | | | 52 | 51 | 50 | 49 | 48 | 47 | 46 | 45 | 44 | 43 | 42 | 41 | 40 | | 37 | 36 | | | | | | | | | | 73 | | | | 32 | | 30 | 29 | 28 | | | 26 | 25 | 24 | | | 21 | | | | | | | | | | | | | 16 | | 14 | 13 | 12 | 11 | 10 | 9 | 8 | | | 6 | 5 | | 1 | | | | | | | | | | | | | | | | | | | | | | | | | | | | | | | | | | | | | | | | | | | | | | | | | | | | | | | | | | | | | | | | | | | | | | | | | | | | | | | | | | | | | | | | | | | | | | | | | | | | | | | | | | | | | | | | | | | | | | | | | | | | | | | | | | | | | | | | | | | | | | | | | | | | | | | | | | | | | | | | | | | | | | | | | | | | | | | | | | | | | | | | | | | | | | | | | | | | | | | | | | | | | | | | | | | | | | | | | | | | | | | | | | | | | | | | | | | | | | | | | | | | | | | | | | | | | | | | | | | | | | | | | | | | | | | | | | | | | | | | | | | | | | | | | | | | | | | | | | | | | | | | | | | | | | | | | | | | | | | | | | | | | | | | | | | | | | | | | | | | | | | | | | | | | | | | | | | | | | | | | | | | | | | | | | | | | | | | | | | | | | | | | | | | | | | | | | | | | | | | | | | | | | | | | | | | | | | | | | | | | | | | | | | | | | | | | | | | | | | | | | | | | | | | | | | | | | | | | | | | | | | | | | | | | | | | | | | | | | | | | | | | | | | | | | | | | | | | | | | | | | | | | | | | | | | | | | | | | | | | | | | | | | | | | | | | | | | | | | | | | | | | | | | | | | | | | | | | | | | | | | | | | | | | | | | | | | | | | | | | | | | | | | | | | | | | | | | | | | | | | | | | | | | | | | | | | | | | | | | | | | | | | | | | | | | | | | | | | | | | | | | | | | | | | | | | | | | | | | | | | | | | | | | | | | | | | | | | | | | | | | | | | | | | | | | | | | | | | | | | | | | | | | | | | | | | | | | | | | | | | | | | | | | | | | | | | | | | | | | | | | | | | | | | | | | | | | | | | | | | | | | |
| | | | | | | | | | | | | | | | | | | | | | 5 | 4 | | | SALEABLE | NOT APPLICABLE | 34566-0154 | 9 | B | ST GRN | 72 | 71 | 70 | 69 | 68 | 67 | 66 | 65 | 64 | 63 | 62 | 61 | 60 | 59 | 57 | 56 | 55 | 54 | 53 | | | | | | | 52 | 51 | 50 | 49 | 48 | 47 | 46 | 45 | 44 | 43 | 42 | 41 | 40 | 39 | | 36 | 35 | 34 | 33 | | | | | | | 73 | | | | 32 | 31 | 30 | 29 | 28 | 27 | 26 | 25 | 24 | 23 | 22 | 21 | | | | | | | | | | | | | | 16 | 15 | 14 | 13 | 12 | 11 | 10 | 9 | 8 | 7 | 6 | | | 3 | 2 | SALEABLE | NOT APPLICABLE | 34566-0164 | 0 | G | BLUE | 80 | 79 | 78 | 77 | | | 75 | | | | | | | | 66 | 65 | 64 | | 62 | | | | | | | | | | | | | | | | | | | | | 46 | | 44 | 43 | 42 | 41 | | | | | | | | | | | | | | | | | | | | | | | | | | | | | | | | | | | | | | | | | | | | | | 26 | 25 | 24 | | 22 | 21 | | | | | | | | | | | | | | | | | | | | | | | | | | | | | | | | | | | | | | | | | | | | | | | | | | | | | | | | | | | | | | | | | | | | | | | | | | | | | | | | | | | | | | | | | | | | | | | | | | | | | | | | | | | | | | | | | | | | | | | | | | | | | | | | | | | | | | | | | | | | | | | | | | | | | | | | | | | | | | | | | | | | | | | | | | | | | | | | SALEABLE | NOT APPLICABLE | 34566-0174 | 9 | B | ST GRN | 72 | 71 | 70 | | | | 67 | 66 | | | | | 60 | | | | | | | | | | | | 52 | 51 | 50 | | | | 47 | 46 | | | | | | 39 | | 37 | | 35 | 33 | | | | | | | 73 | | | | | | 30 | 29 | 28 | | | 25 | 24 | 23 | 22 | | 20 | 19 | | 17 | | | | | | | | | | | | | | | | | | | | | 8 | 7 | | 3 | 1 | SALEABLE | NOT APPLICABLE | 34566-0184 | 9 | B | ST GRN | 72 | 71 | 70 | 69 | 68 | 67 | 66 | 65 | 64 | 63 | | 61 | | | 58 | 57 | 56 | 55 | 54 | 53 | | | | | | | 52 | 51 | 50 | 49 | 48 | 47 | 46 | 45 | 44 | 43 | 42 | 41 | 40 | | 37 | 36 | | | | | | | | | | 73 | | | | 32 | | 30 | 29 | 28 | | | 26 | 25 | 24 | | | 21 | | | | | | | | | | | | | 16 | | 14 | 13 | 12 | 11 | 10 | 9 | 8 | | | 6 | 5 | | 1 | | | | | | | | | | | | | | | | | | | | | | | | | | | | | | | | | | | | | | | | | | | | | | | | | | | | | | | | | | | | | | | | | | | | | | | | | | | | | | | | | | | | | | | | | | | | | | | | | | | | | | | | | | | | | | | | | | | | | | | | | | | | | | | | | | | | | | | | | | | | | | | | | | | | | | | | | | | | | | | | | | | | | | | | | | | | | | | | | | | | | | | | | | | | | | | | | | | | | | | | | | | | | | | | | | | | | | | | | | | | | | | | | | | | | | | | | | | | | | | | | | | | | | | | | | | | | | | | | | | | | | | | | | | | | | | | | | | | | | | | | | | | | | | | | | | | | | | | | | | | | | | | | | | | | | | | | | | | | | | | | | | | | | | | | | | | | | | | | | | | | | | | | | | | | | | | | | | | | | | | | | | | | | | | | | | | | | | | | | | | | | | | | | | | | | | | | | | | | | | | | | | | | | | | | | | | | | | | | | | | | | | | | | | | | | | | | | | | | | | | | | | | | | | | | | | | | | | | | | | | | | | | | | | | | | | | | | | | | | | | | | | | | | | | | | | | | | | | | | | | | | | | | | | | | | | | | | | | | | | | | | | | | | | | | | | | | | | | | | | | | | | | | | | | | | | | | | | | | | | | | | | | | | | | | | | | | | | | | | | | | | | | | | | | | | | | | | | | | | | | | | | | | | | | | | | | | | | | | | | | | | | | | | | | | | | | | | | | | | | | | | | | | | | | | | | | | | | | | | | | | | | | | | | | | | | | | | | | | | | | | | | | | | | | | | | | | | | | | | | | | | | | | | | | | | | | | | | | | | | | | | | | | | | | | | | | | | | | | | | | | | | | | | | | | | | | | | | | | | | | | | | | | | | | | | | | | | | | | | | | | | | | | | | | |
| SALEABLE | NOT APPLICABLE | 34566-0154 | 9 | B | ST GRN | 72 | 71 | 70 | 69 | 68 | 67 | 66 | 65 | 64 | 63 | 62 | 61 | 60 | 59 | 57 | 56 | 55 | 54 | 53 | | | | | | | 52 | 51 | 50 | 49 | 48 | 47 | 46 | 45 | 44 | 43 | 42 | 41 | 40 | 39 | | 36 | 35 | 34 | 33 | | | | | | | 73 | | | | 32 | 31 | 30 | 29 | 28 | 27 | 26 | 25 | 24 | 23 | 22 | 21 | | | | | | | | | | | | | | 16 | 15 | 14 | 13 | 12 | 11 | 10 | 9 | 8 | 7 | 6 | | | 3 | 2 | SALEABLE | NOT APPLICABLE | 34566-0164 | 0 | G | BLUE | 80 | 79 | 78 | 77 | | | 75 | | | | | | | | 66 | 65 | 64 | | 62 | | | | | | | | | | | | | | | | | | | | | 46 | | 44 | 43 | 42 | 41 | | | | | | | | | | | | | | | | | | | | | | | | | | | | | | | | | | | | | | | | | | | | | | 26 | 25 | 24 | | 22 | 21 | | | | | | | | | | | | | | | | | | | | | | | | | | | | | | | | | | | | | | | | | | | | | | | | | | | | | | | | | | | | | | | | | | | | | | | | | | | | | | | | | | | | | | | | | | | | | | | | | | | | | | | | | | | | | | | | | | | | | | | | | | | | | | | | | | | | | | | | | | | | | | | | | | | | | | | | | | | | | | | | | | | | | | | | | | | | | | | | SALEABLE | NOT APPLICABLE | 34566-0174 | 9 | B | ST GRN | 72 | 71 | 70 | | | | 67 | 66 | | | | | 60 | | | | | | | | | | | | 52 | 51 | 50 | | | | 47 | 46 | | | | | | 39 | | 37 | | 35 | 33 | | | | | | | 73 | | | | | | 30 | 29 | 28 | | | 25 | 24 | 23 | 22 | | 20 | 19 | | 17 | | | | | | | | | | | | | | | | | | | | | 8 | 7 | | 3 | 1 | SALEABLE | NOT APPLICABLE | 34566-0184 | 9 | B | ST GRN | 72 | 71 | 70 | 69 | 68 | 67 | 66 | 65 | 64 | 63 | | 61 | | | 58 | 57 | 56 | 55 | 54 | 53 | | | | | | | 52 | 51 | 50 | 49 | 48 | 47 | 46 | 45 | 44 | 43 | 42 | 41 | 40 | | 37 | 36 | | | | | | | | | | 73 | | | | 32 | | 30 | 29 | 28 | | | 26 | 25 | 24 | | | 21 | | | | | | | | | | | | | 16 | | 14 | 13 | 12 | 11 | 10 | 9 | 8 | | | 6 | 5 | | 1 | | | | | | | | | | | | | | | | | | | | | | | | | | | | | | | | | | | | | | | | | | | | | | | | | | | | | | | | | | | | | | | | | | | | | | | | | | | | | | | | | | | | | | | | | | | | | | | | | | | | | | | | | | | | | | | | | | | | | | | | | | | | | | | | | | | | | | | | | | | | | | | | | | | | | | | | | | | | | | | | | | | | | | | | | | | | | | | | | | | | | | | | | | | | | | | | | | | | | | | | | | | | | | | | | | | | | | | | | | | | | | | | | | | | | | | | | | | | | | | | | | | | | | | | | | | | | | | | | | | | | | | | | | | | | | | | | | | | | | | | | | | | | | | | | | | | | | | | | | | | | | | | | | | | | | | | | | | | | | | | | | | | | | | | | | | | | | | | | | | | | | | | | | | | | | | | | | | | | | | | | | | | | | | | | | | | | | | | | | | | | | | | | | | | | | | | | | | | | | | | | | | | | | | | | | | | | | | | | | | | | | | | | | | | | | | | | | | | | | | | | | | | | | | | | | | | | | | | | | | | | | | | | | | | | | | | | | | | | | | | | | | | | | | | | | | | | | | | | | | | | | | | | | | | | | | | | | | | | | | | | | | | | | | | | | | | | | | | | | | | | | | | | | | | | | | | | | | | | | | | | | | | | | | | | | | | | | | | | | | | | | | | | | | | | | | | | | | | | | | | | | | | | | | | | | | | | | | | | | | | | | | | | | | | | | | | | | | | | | | | | | | | | | | | | | | | | | | | | | | | | | | | | | | | | | | | | | | | | | | | | | | | | | | | | | | | | | | | | | | | | | | | | | | | | | | | | | | | | | | | | | | | | | | | | | | | | | | | | | | | | | | | | | | | | | | | | | | | | | | | | | | | | | | | | | | | | | | | | | | | | | | | | | | | | | | | | | | | | | | | | | | | | | | | | | | | | |
| | | | | | | 52 | 51 | 50 | 49 | 48 | 47 | 46 | 45 | 44 | 43 | 42 | 41 | 40 | 39 | | 36 | 35 | 34 | 33 | | | | | | | 73 | | | | 32 | 31 | 30 | 29 | 28 | 27 | 26 | 25 | 24 | 23 | 22 | 21 | | | | | | | | | | | | | | 16 | 15 | 14 | 13 | 12 | 11 | 10 | 9 | 8 | 7 | 6 | | | 3 | 2 | SALEABLE | NOT APPLICABLE | 34566-0164 | 0 | G | BLUE | 80 | 79 | 78 | 77 | | | 75 | | | | | | | | 66 | 65 | 64 | | 62 | | | | | | | | | | | | | | | | | | | | | 46 | | 44 | 43 | 42 | 41 | | | | | | | | | | | | | | | | | | | | | | | | | | | | | | | | | | | | | | | | | | | | | | 26 | 25 | 24 | | 22 | 21 | | | | | | | | | | | | | | | | | | | | | | | | | | | | | | | | | | | | | | | | | | | | | | | | | | | | | | | | | | | | | | | | | | | | | | | | | | | | | | | | | | | | | | | | | | | | | | | | | | | | | | | | | | | | | | | | | | | | | | | | | | | | | | | | | | | | | | | | | | | | | | | | | | | | | | | | | | | | | | | | | | | | | | | | | | | | | | | | SALEABLE | NOT APPLICABLE | 34566-0174 | 9 | B | ST GRN | 72 | 71 | 70 | | | | 67 | 66 | | | | | 60 | | | | | | | | | | | | 52 | 51 | 50 | | | | 47 | 46 | | | | | | 39 | | 37 | | 35 | 33 | | | | | | | 73 | | | | | | 30 | 29 | 28 | | | 25 | 24 | 23 | 22 | | 20 | 19 | | 17 | | | | | | | | | | | | | | | | | | | | | 8 | 7 | | 3 | 1 | SALEABLE | NOT APPLICABLE | 34566-0184 | 9 | B | ST GRN | 72 | 71 | 70 | 69 | 68 | 67 | 66 | 65 | 64 | 63 | | 61 | | | 58 | 57 | 56 | 55 | 54 | 53 | | | | | | | 52 | 51 | 50 | 49 | 48 | 47 | 46 | 45 | 44 | 43 | 42 | 41 | 40 | | 37 | 36 | | | | | | | | | | 73 | | | | 32 | | 30 | 29 | 28 | | | 26 | 25 | 24 | | | 21 | | | | | | | | | | | | | 16 | | 14 | 13 | 12 | 11 | 10 | 9 | 8 | | | 6 | 5 | | 1 | | | | | | | | | | | | | | | | | | | | | | | | | | | | | | | | | | | | | | | | | | | | | | | | | | | | | | | | | | | | | | | | | | | | | | | | | | | | | | | | | | | | | | | | | | | | | | | | | | | | | | | | | | | | | | | | | | | | | | | | | | | | | | | | | | | | | | | | | | | | | | | | | | | | | | | | | | | | | | | | | | | | | | | | | | | | | | | | | | | | | | | | | | | | | | | | | | | | | | | | | | | | | | | | | | | | | | | | | | | | | | | | | | | | | | | | | | | | | | | | | | | | | | | | | | | | | | | | | | | | | | | | | | | | | | | | | | | | | | | | | | | | | | | | | | | | | | | | | | | | | | | | | | | | | | | | | | | | | | | | | | | | | | | | | | | | | | | | | | | | | | | | | | | | | | | | | | | | | | | | | | | | | | | | | | | | | | | | | | | | | | | | | | | | | | | | | | | | | | | | | | | | | | | | | | | | | | | | | | | | | | | | | | | | | | | | | | | | | | | | | | | | | | | | | | | | | | | | | | | | | | | | | | | | | | | | | | | | | | | | | | | | | | | | | | | | | | | | | | | | | | | | | | | | | | | | | | | | | | | | | | | | | | | | | | | | | | | | | | | | | | | | | | | | | | | | | | | | | | | | | | | | | | | | | | | | | | | | | | | | | | | | | | | | | | | | | | | | | | | | | | | | | | | | | | | | | | | | | | | | | | | | | | | | | | | | | | | | | | | | | | | | | | | | | | | | | | | | | | | | | | | | | | | | | | | | | | | | | | | | | | | | | | | | | | | | | | | | | | | | | | | | | | | | | | | | | | | | | | | | | | | | | | | | | | | | | | | | | | | | | | | | | | | | | | | | | | | | | | | | | | | | | | | | | | | | | | | | | | | | | | | | | | | | | | | | | | | | | | | | | | | | | | | | | | | | | | | | | | | | | | | | | | | | | | | | | | | | | | |
| | | | | | | 73 | | | | 32 | 31 | 30 | 29 | 28 | 27 | 26 | 25 | 24 | 23 | 22 | 21 | | | | | | | | | | | | | | 16 | 15 | 14 | 13 | 12 | 11 | 10 | 9 | 8 | 7 | 6 | | | 3 | 2 | SALEABLE | NOT APPLICABLE | 34566-0164 | 0 | G | BLUE | 80 | 79 | 78 | 77 | | | 75 | | | | | | | | 66 | 65 | 64 | | 62 | | | | | | | | | | | | | | | | | | | | | 46 | | 44 | 43 | 42 | 41 | | | | | | | | | | | | | | | | | | | | | | | | | | | | | | | | | | | | | | | | | | | | | | 26 | 25 | 24 | | 22 | 21 | | | | | | | | | | | | | | | | | | | | | | | | | | | | | | | | | | | | | | | | | | | | | | | | | | | | | | | | | | | | | | | | | | | | | | | | | | | | | | | | | | | | | | | | | | | | | | | | | | | | | | | | | | | | | | | | | | | | | | | | | | | | | | | | | | | | | | | | | | | | | | | | | | | | | | | | | | | | | | | | | | | | | | | | | | | | | | | | SALEABLE | NOT APPLICABLE | 34566-0174 | 9 | B | ST GRN | 72 | 71 | 70 | | | | 67 | 66 | | | | | 60 | | | | | | | | | | | | 52 | 51 | 50 | | | | 47 | 46 | | | | | | 39 | | 37 | | 35 | 33 | | | | | | | 73 | | | | | | 30 | 29 | 28 | | | 25 | 24 | 23 | 22 | | 20 | 19 | | 17 | | | | | | | | | | | | | | | | | | | | | 8 | 7 | | 3 | 1 | SALEABLE | NOT APPLICABLE | 34566-0184 | 9 | B | ST GRN | 72 | 71 | 70 | 69 | 68 | 67 | 66 | 65 | 64 | 63 | | 61 | | | 58 | 57 | 56 | 55 | 54 | 53 | | | | | | | 52 | 51 | 50 | 49 | 48 | 47 | 46 | 45 | 44 | 43 | 42 | 41 | 40 | | 37 | 36 | | | | | | | | | | 73 | | | | 32 | | 30 | 29 | 28 | | | 26 | 25 | 24 | | | 21 | | | | | | | | | | | | | 16 | | 14 | 13 | 12 | 11 | 10 | 9 | 8 | | | 6 | 5 | | 1 | | | | | | | | | | | | | | | | | | | | | | | | | | | | | | | | | | | | | | | | | | | | | | | | | | | | | | | | | | | | | | | | | | | | | | | | | | | | | | | | | | | | | | | | | | | | | | | | | | | | | | | | | | | | | | | | | | | | | | | | | | | | | | | | | | | | | | | | | | | | | | | | | | | | | | | | | | | | | | | | | | | | | | | | | | | | | | | | | | | | | | | | | | | | | | | | | | | | | | | | | | | | | | | | | | | | | | | | | | | | | | | | | | | | | | | | | | | | | | | | | | | | | | | | | | | | | | | | | | | | | | | | | | | | | | | | | | | | | | | | | | | | | | | | | | | | | | | | | | | | | | | | | | | | | | | | | | | | | | | | | | | | | | | | | | | | | | | | | | | | | | | | | | | | | | | | | | | | | | | | | | | | | | | | | | | | | | | | | | | | | | | | | | | | | | | | | | | | | | | | | | | | | | | | | | | | | | | | | | | | | | | | | | | | | | | | | | | | | | | | | | | | | | | | | | | | | | | | | | | | | | | | | | | | | | | | | | | | | | | | | | | | | | | | | | | | | | | | | | | | | | | | | | | | | | | | | | | | | | | | | | | | | | | | | | | | | | | | | | | | | | | | | | | | | | | | | | | | | | | | | | | | | | | | | | | | | | | | | | | | | | | | | | | | | | | | | | | | | | | | | | | | | | | | | | | | | | | | | | | | | | | | | | | | | | | | | | | | | | | | | | | | | | | | | | | | | | | | | | | | | | | | | | | | | | | | | | | | | | | | | | | | | | | | | | | | | | | | | | | | | | | | | | | | | | | | | | | | | | | | | | | | | | | | | | | | | | | | | | | | | | | | | | | | | | | | | | | | | | | | | | | | | | | | | | | | | | | | | | | | | | | | | | | | | | | | | | | | | | | | | | | | | | | | | | | | | | | | | | | | | | | | | | | | | | | | | | | | | | | | | | | | | | | | | | | | | | | | | | | | | | | |
| | | | | | | | | | | 16 | 15 | 14 | 13 | 12 | 11 | 10 | 9 | 8 | 7 | 6 | | | 3 | 2 | SALEABLE | NOT APPLICABLE | 34566-0164 | 0 | G | BLUE | 80 | 79 | 78 | 77 | | | 75 | | | | | | | | 66 | 65 | 64 | | 62 | | | | | | | | | | | | | | | | | | | | | 46 | | 44 | 43 | 42 | 41 | | | | | | | | | | | | | | | | | | | | | | | | | | | | | | | | | | | | | | | | | | | | | | 26 | 25 | 24 | | 22 | 21 | | | | | | | | | | | | | | | | | | | | | | | | | | | | | | | | | | | | | | | | | | | | | | | | | | | | | | | | | | | | | | | | | | | | | | | | | | | | | | | | | | | | | | | | | | | | | | | | | | | | | | | | | | | | | | | | | | | | | | | | | | | | | | | | | | | | | | | | | | | | | | | | | | | | | | | | | | | | | | | | | | | | | | | | | | | | | | | | SALEABLE | NOT APPLICABLE | 34566-0174 | 9 | B | ST GRN | 72 | 71 | 70 | | | | 67 | 66 | | | | | 60 | | | | | | | | | | | | 52 | 51 | 50 | | | | 47 | 46 | | | | | | 39 | | 37 | | 35 | 33 | | | | | | | 73 | | | | | | 30 | 29 | 28 | | | 25 | 24 | 23 | 22 | | 20 | 19 | | 17 | | | | | | | | | | | | | | | | | | | | | 8 | 7 | | 3 | 1 | SALEABLE | NOT APPLICABLE | 34566-0184 | 9 | B | ST GRN | 72 | 71 | 70 | 69 | 68 | 67 | 66 | 65 | 64 | 63 | | 61 | | | 58 | 57 | 56 | 55 | 54 | 53 | | | | | | | 52 | 51 | 50 | 49 | 48 | 47 | 46 | 45 | 44 | 43 | 42 | 41 | 40 | | 37 | 36 | | | | | | | | | | 73 | | | | 32 | | 30 | 29 | 28 | | | 26 | 25 | 24 | | | 21 | | | | | | | | | | | | | 16 | | 14 | 13 | 12 | 11 | 10 | 9 | 8 | | | 6 | 5 | | 1 | | | | | | | | | | | | | | | | | | | | | | | | | | | | | | | | | | | | | | | | | | | | | | | | | | | | | | | | | | | | | | | | | | | | | | | | | | | | | | | | | | | | | | | | | | | | | | | | | | | | | | | | | | | | | | | | | | | | | | | | | | | | | | | | | | | | | | | | | | | | | | | | | | | | | | | | | | | | | | | | | | | | | | | | | | | | | | | | | | | | | | | | | | | | | | | | | | | | | | | | | | | | | | | | | | | | | | | | | | | | | | | | | | | | | | | | | | | | | | | | | | | | | | | | | | | | | | | | | | | | | | | | | | | | | | | | | | | | | | | | | | | | | | | | | | | | | | | | | | | | | | | | | | | | | | | | | | | | | | | | | | | | | | | | | | | | | | | | | | | | | | | | | | | | | | | | | | | | | | | | | | | | | | | | | | | | | | | | | | | | | | | | | | | | | | | | | | | | | | | | | | | | | | | | | | | | | | | | | | | | | | | | | | | | | | | | | | | | | | | | | | | | | | | | | | | | | | | | | | | | | | | | | | | | | | | | | | | | | | | | | | | | | | | | | | | | | | | | | | | | | | | | | | | | | | | | | | | | | | | | | | | | | | | | | | | | | | | | | | | | | | | | | | | | | | | | | | | | | | | | | | | | | | | | | | | | | | | | | | | | | | | | | | | | | | | | | | | | | | | | | | | | | | | | | | | | | | | | | | | | | | | | | | | | | | | | | | | | | | | | | | | | | | | | | | | | | | | | | | | | | | | | | | | | | | | | | | | | | | | | | | | | | | | | | | | | | | | | | | | | | | | | | | | | | | | | | | | | | | | | | | | | | | | | | | | | | | | | | | | | | | | | | | | | | | | | | | | | | | | | | | | | | | | | | | | | | | | | | | | | | | | | | | | | | | | | | | | | | | | | | | | | | | | | | | | | | | | | | | | | | | | | | | | | | | | | | | | | | | | | | | | | | | | | | | | | | | | | | | | | | | | | | | | | | | | | | | | | | | | | | | | | | | | | |
| SALEABLE | NOT APPLICABLE | 34566-0164 | 0 | G | BLUE | 80 | 79 | 78 | 77 | | | 75 | | | | | | | | 66 | 65 | 64 | | 62 | | | | | | | | | | | | | | | | | | | | | 46 | | 44 | 43 | 42 | 41 | | | | | | | | | | | | | | | | | | | | | | | | | | | | | | | | | | | | | | | | | | | | | | 26 | 25 | 24 | | 22 | 21 | | | | | | | | | | | | | | | | | | | | | | | | | | | | | | | | | | | | | | | | | | | | | | | | | | | | | | | | | | | | | | | | | | | | | | | | | | | | | | | | | | | | | | | | | | | | | | | | | | | | | | | | | | | | | | | | | | | | | | | | | | | | | | | | | | | | | | | | | | | | | | | | | | | | | | | | | | | | | | | | | | | | | | | | | | | | | | | | SALEABLE | NOT APPLICABLE | 34566-0174 | 9 | B | ST GRN | 72 | 71 | 70 | | | | 67 | 66 | | | | | 60 | | | | | | | | | | | | 52 | 51 | 50 | | | | 47 | 46 | | | | | | 39 | | 37 | | 35 | 33 | | | | | | | 73 | | | | | | 30 | 29 | 28 | | | 25 | 24 | 23 | 22 | | 20 | 19 | | 17 | | | | | | | | | | | | | | | | | | | | | 8 | 7 | | 3 | 1 | SALEABLE | NOT APPLICABLE | 34566-0184 | 9 | B | ST GRN | 72 | 71 | 70 | 69 | 68 | 67 | 66 | 65 | 64 | 63 | | 61 | | | 58 | 57 | 56 | 55 | 54 | 53 | | | | | | | 52 | 51 | 50 | 49 | 48 | 47 | 46 | 45 | 44 | 43 | 42 | 41 | 40 | | 37 | 36 | | | | | | | | | | 73 | | | | 32 | | 30 | 29 | 28 | | | 26 | 25 | 24 | | | 21 | | | | | | | | | | | | | 16 | | 14 | 13 | 12 | 11 | 10 | 9 | 8 | | | 6 | 5 | | 1 | | | | | | | | | | | | | | | | | | | | | | | | | | | | | | | | | | | | | | | | | | | | | | | | | | | | | | | | | | | | | | | | | | | | | | | | | | | | | | | | | | | | | | | | | | | | | | | | | | | | | | | | | | | | | | | | | | | | | | | | | | | | | | | | | | | | | | | | | | | | | | | | | | | | | | | | | | | | | | | | | | | | | | | | | | | | | | | | | | | | | | | | | | | | | | | | | | | | | | | | | | | | | | | | | | | | | | | | | | | | | | | | | | | | | | | | | | | | | | | | | | | | | | | | | | | | | | | | | | | | | | | | | | | | | | | | | | | | | | | | | | | | | | | | | | | | | | | | | | | | | | | | | | | | | | | | | | | | | | | | | | | | | | | | | | | | | | | | | | | | | | | | | | | | | | | | | | | | | | | | | | | | | | | | | | | | | | | | | | | | | | | | | | | | | | | | | | | | | | | | | | | | | | | | | | | | | | | | | | | | | | | | | | | | | | | | | | | | | | | | | | | | | | | | | | | | | | | | | | | | | | | | | | | | | | | | | | | | | | | | | | | | | | | | | | | | | | | | | | | | | | | | | | | | | | | | | | | | | | | | | | | | | | | | | | | | | | | | | | | | | | | | | | | | | | | | | | | | | | | | | | | | | | | | | | | | | | | | | | | | | | | | | | | | | | | | | | | | | | | | | | | | | | | | | | | | | | | | | | | | | | | | | | | | | | | | | | | | | | | | | | | | | | | | | | | | | | | | | | | | | | | | | | | | | | | | | | | | | | | | | | | | | | | | | | | | | | | | | | | | | | | | | | | | | | | | | | | | | | | | | | | | | | | | | | | | | | | | | | | | | | | | | | | | | | | | | | | | | | | | | | | | | | | | | | | | | | | | | | | | | | | | | | | | | | | | | | | | | | | | | | | | | | | | | | | | | | | | | | | | | | | | | | | | | | | | | | | | | | | | | | | | | | | | | | | | | | | | | | | | | | | | | | | | | | | | | | | | | | | | | | | | | | | | | | | | | | | | | | | | | | | | | | | | | | | | | |
| | | | | | | | | | | | | | | | | | | | | 46 | | 44 | 43 | 42 | 41 | | | | | | | | | | | | | | | | | | | | | | | | | | | | | | | | | | | | | | | | | | | | | | 26 | 25 | 24 | | 22 | 21 | | | | | | | | | | | | | | | | | | | | | | | | | | | | | | | | | | | | | | | | | | | | | | | | | | | | | | | | | | | | | | | | | | | | | | | | | | | | | | | | | | | | | | | | | | | | | | | | | | | | | | | | | | | | | | | | | | | | | | | | | | | | | | | | | | | | | | | | | | | | | | | | | | | | | | | | | | | | | | | | | | | | | | | | | | | | | | | | SALEABLE | NOT APPLICABLE | 34566-0174 | 9 | B | ST GRN | 72 | 71 | 70 | | | | 67 | 66 | | | | | 60 | | | | | | | | | | | | 52 | 51 | 50 | | | | 47 | 46 | | | | | | 39 | | 37 | | 35 | 33 | | | | | | | 73 | | | | | | 30 | 29 | 28 | | | 25 | 24 | 23 | 22 | | 20 | 19 | | 17 | | | | | | | | | | | | | | | | | | | | | 8 | 7 | | 3 | 1 | SALEABLE | NOT APPLICABLE | 34566-0184 | 9 | B | ST GRN | 72 | 71 | 70 | 69 | 68 | 67 | 66 | 65 | 64 | 63 | | 61 | | | 58 | 57 | 56 | 55 | 54 | 53 | | | | | | | 52 | 51 | 50 | 49 | 48 | 47 | 46 | 45 | 44 | 43 | 42 | 41 | 40 | | 37 | 36 | | | | | | | | | | 73 | | | | 32 | | 30 | 29 | 28 | | | 26 | 25 | 24 | | | 21 | | | | | | | | | | | | | 16 | | 14 | 13 | 12 | 11 | 10 | 9 | 8 | | | 6 | 5 | | 1 | | | | | | | | | | | | | | | | | | | | | | | | | | | | | | | | | | | | | | | | | | | | | | | | | | | | | | | | | | | | | | | | | | | | | | | | | | | | | | | | | | | | | | | | | | | | | | | | | | | | | | | | | | | | | | | | | | | | | | | | | | | | | | | | | | | | | | | | | | | | | | | | | | | | | | | | | | | | | | | | | | | | | | | | | | | | | | | | | | | | | | | | | | | | | | | | | | | | | | | | | | | | | | | | | | | | | | | | | | | | | | | | | | | | | | | | | | | | | | | | | | | | | | | | | | | | | | | | | | | | | | | | | | | | | | | | | | | | | | | | | | | | | | | | | | | | | | | | | | | | | | | | | | | | | | | | | | | | | | | | | | | | | | | | | | | | | | | | | | | | | | | | | | | | | | | | | | | | | | | | | | | | | | | | | | | | | | | | | | | | | | | | | | | | | | | | | | | | | | | | | | | | | | | | | | | | | | | | | | | | | | | | | | | | | | | | | | | | | | | | | | | | | | | | | | | | | | | | | | | | | | | | | | | | | | | | | | | | | | | | | | | | | | | | | | | | | | | | | | | | | | | | | | | | | | | | | | | | | | | | | | | | | | | | | | | | | | | | | | | | | | | | | | | | | | | | | | | | | | | | | | | | | | | | | | | | | | | | | | | | | | | | | | | | | | | | | | | | | | | | | | | | | | | | | | | | | | | | | | | | | | | | | | | | | | | | | | | | | | | | | | | | | | | | | | | | | | | | | | | | | | | | | | | | | | | | | | | | | | | | | | | | | | | | | | | | | | | | | | | | | | | | | | | | | | | | | | | | | | | | | | | | | | | | | | | | | | | | | | | | | | | | | | | | | | | | | | | | | | | | | | | | | | | | | | | | | | | | | | | | | | | | | | | | | | | | | | | | | | | | | | | | | | | | | | | | | | | | | | | | | | | | | | | | | | | | | | | | | | | | | | | | | | | | | | | | | | | | | | | | | | | | | | | | | | | | | | | | | | | | | | | | | | | | | | | | | | | | | | | | | | | | | | | | | | | | | | | | | | | | | | | | | | | | | | | | | | | | | | |
| | | | | | | | | | | | | | | | | | | | | | | | | | | | | | | | | | | | | | | | | | | | | | 26 | 25 | 24 | | 22 | 21 | | | | | | | | | | | | | | | | | | | | | | | | | | | | | | | | | | | | | | | | | | | | | | | | | | | | | | | | | | | | | | | | | | | | | | | | | | | | | | | | | | | | | | | | | | | | | | | | | | | | | | | | | | | | | | | | | | | | | | | | | | | | | | | | | | | | | | | | | | | | | | | | | | | | | | | | | | | | | | | | | | | | | | | | | | | | | | | | SALEABLE | NOT APPLICABLE | 34566-0174 | 9 | B | ST GRN | 72 | 71 | 70 | | | | 67 | 66 | | | | | 60 | | | | | | | | | | | | 52 | 51 | 50 | | | | 47 | 46 | | | | | | 39 | | 37 | | 35 | 33 | | | | | | | 73 | | | | | | 30 | 29 | 28 | | | 25 | 24 | 23 | 22 | | 20 | 19 | | 17 | | | | | | | | | | | | | | | | | | | | | 8 | 7 | | 3 | 1 | SALEABLE | NOT APPLICABLE | 34566-0184 | 9 | B | ST GRN | 72 | 71 | 70 | 69 | 68 | 67 | 66 | 65 | 64 | 63 | | 61 | | | 58 | 57 | 56 | 55 | 54 | 53 | | | | | | | 52 | 51 | 50 | 49 | 48 | 47 | 46 | 45 | 44 | 43 | 42 | 41 | 40 | | 37 | 36 | | | | | | | | | | 73 | | | | 32 | | 30 | 29 | 28 | | | 26 | 25 | 24 | | | 21 | | | | | | | | | | | | | 16 | | 14 | 13 | 12 | 11 | 10 | 9 | 8 | | | 6 | 5 | | 1 | | | | | | | | | | | | | | | | | | | | | | | | | | | | | | | | | | | | | | | | | | | | | | | | | | | | | | | | | | | | | | | | | | | | | | | | | | | | | | | | | | | | | | | | | | | | | | | | | | | | | | | | | | | | | | | | | | | | | | | | | | | | | | | | | | | | | | | | | | | | | | | | | | | | | | | | | | | | | | | | | | | | | | | | | | | | | | | | | | | | | | | | | | | | | | | | | | | | | | | | | | | | | | | | | | | | | | | | | | | | | | | | | | | | | | | | | | | | | | | | | | | | | | | | | | | | | | | | | | | | | | | | | | | | | | | | | | | | | | | | | | | | | | | | | | | | | | | | | | | | | | | | | | | | | | | | | | | | | | | | | | | | | | | | | | | | | | | | | | | | | | | | | | | | | | | | | | | | | | | | | | | | | | | | | | | | | | | | | | | | | | | | | | | | | | | | | | | | | | | | | | | | | | | | | | | | | | | | | | | | | | | | | | | | | | | | | | | | | | | | | | | | | | | | | | | | | | | | | | | | | | | | | | | | | | | | | | | | | | | | | | | | | | | | | | | | | | | | | | | | | | | | | | | | | | | | | | | | | | | | | | | | | | | | | | | | | | | | | | | | | | | | | | | | | | | | | | | | | | | | | | | | | | | | | | | | | | | | | | | | | | | | | | | | | | | | | | | | | | | | | | | | | | | | | | | | | | | | | | | | | | | | | | | | | | | | | | | | | | | | | | | | | | | | | | | | | | | | | | | | | | | | | | | | | | | | | | | | | | | | | | | | | | | | | | | | | | | | | | | | | | | | | | | | | | | | | | | | | | | | | | | | | | | | | | | | | | | | | | | | | | | | | | | | | | | | | | | | | | | | | | | | | | | | | | | | | | | | | | | | | | | | | | | | | | | | | | | | | | | | | | | | | | | | | | | | | | | | | | | | | | | | | | | | | | | | | | | | | | | | | | | | | | | | | | | | | | | | | | | | | | | | | | | | | | | | | | | | | | | | | | | | | | | | | | | | | | | | | | | | | | | | | | | | | | | | | | | | | | | | | | | | | | | | | | | | | | | | | | | | | | | | | | | | | | | | | | | | | | | | | | | | |
| | | | | | | | | | | | | | | | | | | | | 26 | 25 | 24 | | 22 | 21 | | | | | | | | | | | | | | | | | | | | | | | | | | | | | | | | | | | | | | | | | | | | | | | | | | | | | | | | | | | | | | | | | | | | | | | | | | | | | | | | | | | | | | | | | | | | | | | | | | | | | | | | | | | | | | | | | | | | | | | | | | | | | | | | | | | | | | | | | | | | | | | | | | | | | | | | | | | | | | | | | | | | | | | | | | | | | | | | SALEABLE | NOT APPLICABLE | 34566-0174 | 9 | B | ST GRN | 72 | 71 | 70 | | | | 67 | 66 | | | | | 60 | | | | | | | | | | | | 52 | 51 | 50 | | | | 47 | 46 | | | | | | 39 | | 37 | | 35 | 33 | | | | | | | 73 | | | | | | 30 | 29 | 28 | | | 25 | 24 | 23 | 22 | | 20 | 19 | | 17 | | | | | | | | | | | | | | | | | | | | | 8 | 7 | | 3 | 1 | SALEABLE | NOT APPLICABLE | 34566-0184 | 9 | B | ST GRN | 72 | 71 | 70 | 69 | 68 | 67 | 66 | 65 | 64 | 63 | | 61 | | | 58 | 57 | 56 | 55 | 54 | 53 | | | | | | | 52 | 51 | 50 | 49 | 48 | 47 | 46 | 45 | 44 | 43 | 42 | 41 | 40 | | 37 | 36 | | | | | | | | | | 73 | | | | 32 | | 30 | 29 | 28 | | | 26 | 25 | 24 | | | 21 | | | | | | | | | | | | | 16 | | 14 | 13 | 12 | 11 | 10 | 9 | 8 | | | 6 | 5 | | 1 | | | | | | | | | | | | | | | | | | | | | | | | | | | | | | | | | | | | | | | | | | | | | | | | | | | | | | | | | | | | | | | | | | | | | | | | | | | | | | | | | | | | | | | | | | | | | | | | | | | | | | | | | | | | | | | | | | | | | | | | | | | | | | | | | | | | | | | | | | | | | | | | | | | | | | | | | | | | | | | | | | | | | | | | | | | | | | | | | | | | | | | | | | | | | | | | | | | | | | | | | | | | | | | | | | | | | | | | | | | | | | | | | | | | | | | | | | | | | | | | | | | | | | | | | | | | | | | | | | | | | | | | | | | | | | | | | | | | | | | | | | | | | | | | | | | | | | | | | | | | | | | | | | | | | | | | | | | | | | | | | | | | | | | | | | | | | | | | | | | | | | | | | | | | | | | | | | | | | | | | | | | | | | | | | | | | | | | | | | | | | | | | | | | | | | | | | | | | | | | | | | | | | | | | | | | | | | | | | | | | | | | | | | | | | | | | | | | | | | | | | | | | | | | | | | | | | | | | | | | | | | | | | | | | | | | | | | | | | | | | | | | | | | | | | | | | | | | | | | | | | | | | | | | | | | | | | | | | | | | | | | | | | | | | | | | | | | | | | | | | | | | | | | | | | | | | | | | | | | | | | | | | | | | | | | | | | | | | | | | | | | | | | | | | | | | | | | | | | | | | | | | | | | | | | | | | | | | | | | | | | | | | | | | | | | | | | | | | | | | | | | | | | | | | | | | | | | | | | | | | | | | | | | | | | | | | | | | | | | | | | | | | | | | | | | | | | | | | | | | | | | | | | | | | | | | | | | | | | | | | | | | | | | | | | | | | | | | | | | | | | | | | | | | | | | | | | | | | | | | | | | | | | | | | | | | | | | | | | | | | | | | | | | | | | | | | | | | | | | | | | | | | | | | | | | | | | | | | | | | | | | | | | | | | | | | | | | | | | | | | | | | | | | | | | | | | | | | | | | | | | | | | | | | | | | | | | | | | | | | | | | | | | | | | | | | | | | | | | | | | | | | | | | | | | | | | | | | | | | | | | | | | | | | | | | | | | | | | | | | | | | | | | | | | | | | | | | | | | | | | | | | | | | | | | | | | | | | | | | | | | | | | | | | | | |
| | | | | | | | | | | | | | | | | | | | | | | | | | | | | | | | | | | | | | | | | | | | | | | | | | | | | | | | | | | | | | | | | | | | | | | | | | | | | | | | | | | | | | | | | | | | | | | | | | | | | | | | | | | | | | | | | | | | | | | | | | | | | | | | | | | | | | | | | | | | | | | | | | | | | | | | | | | | | | | | | | | | | | | | | | | | | | | | SALEABLE | NOT APPLICABLE | 34566-0174 | 9 | B | ST GRN | 72 | 71 | 70 | | | | 67 | 66 | | | | | 60 | | | | | | | | | | | | 52 | 51 | 50 | | | | 47 | 46 | | | | | | 39 | | 37 | | 35 | 33 | | | | | | | 73 | | | | | | 30 | 29 | 28 | | | 25 | 24 | 23 | 22 | | 20 | 19 | | 17 | | | | | | | | | | | | | | | | | | | | | 8 | 7 | | 3 | 1 | SALEABLE | NOT APPLICABLE | 34566-0184 | 9 | B | ST GRN | 72 | 71 | 70 | 69 | 68 | 67 | 66 | 65 | 64 | 63 | | 61 | | | 58 | 57 | 56 | 55 | 54 | 53 | | | | | | | 52 | 51 | 50 | 49 | 48 | 47 | 46 | 45 | 44 | 43 | 42 | 41 | 40 | | 37 | 36 | | | | | | | | | | 73 | | | | 32 | | 30 | 29 | 28 | | | 26 | 25 | 24 | | | 21 | | | | | | | | | | | | | 16 | | 14 | 13 | 12 | 11 | 10 | 9 | 8 | | | 6 | 5 | | 1 | | | | | | | | | | | | | | | | | | | | | | | | | | | | | | | | | | | | | | | | | | | | | | | | | | | | | | | | | | | | | | | | | | | | | | | | | | | | | | | | | | | | | | | | | | | | | | | | | | | | | | | | | | | | | | | | | | | | | | | | | | | | | | | | | | | | | | | | | | | | | | | | | | | | | | | | | | | | | | | | | | | | | | | | | | | | | | | | | | | | | | | | | | | | | | | | | | | | | | | | | | | | | | | | | | | | | | | | | | | | | | | | | | | | | | | | | | | | | | | | | | | | | | | | | | | | | | | | | | | | | | | | | | | | | | | | | | | | | | | | | | | | | | | | | | | | | | | | | | | | | | | | | | | | | | | | | | | | | | | | | | | | | | | | | | | | | | | | | | | | | | | | | | | | | | | | | | | | | | | | | | | | | | | | | | | | | | | | | | | | | | | | | | | | | | | | | | | | | | | | | | | | | | | | | | | | | | | | | | | | | | | | | | | | | | | | | | | | | | | | | | | | | | | | | | | | | | | | | | | | | | | | | | | | | | | | | | | | | | | | | | | | | | | | | | | | | | | | | | | | | | | | | | | | | | | | | | | | | | | | | | | | | | | | | | | | | | | | | | | | | | | | | | | | | | | | | | | | | | | | | | | | | | | | | | | | | | | | | | | | | | | | | | | | | | | | | | | | | | | | | | | | | | | | | | | | | | | | | | | | | | | | | | | | | | | | | | | | | | | | | | | | | | | | | | | | | | | | | | | | | | | | | | | | | | | | | | | | | | | | | | | | | | | | | | | | | | | | | | | | | | | | | | | | | | | | | | | | | | | | | | | | | | | | | | | | | | | | | | | | | | | | | | | | | | | | | | | | | | | | | | | | | | | | | | | | | | | | | | | | | | | | | | | | | | | | | | | | | | | | | | | | | | | | | | | | | | | | | | | | | | | | | | | | | | | | | | | | | | | | | | | | | | | | | | | | | | | | | | | | | | | | | | | | | | | | | | | | | | | | | | | | | | | | | | | | | | | | | | | | | | | | | | | | | | | | | | | | | | | | | | | | | | | | | | | | | | | | | | | | | | | | | | | | | | | | | | | | | | | | | | | | | | | | | | | | | | | | | | | | | | | | | | | | | | | | | | | | | | | | | | | | | | | | | | | | | | | |
| | | | | | | | | | | | | | | | | | | | | | | | | | | | | | | | | | | | | | | | | | | | | | | | | | | | | | | | | | | | | | | | | | | | | | | | | | | | | | | | | | | | | | | | | | | | | | | | | | | | | | | | | | | | | | | | | | | | | | | | | | | | | | | | | | | | | | | | | | | | | | | | | | | | | | | SALEABLE | NOT APPLICABLE | 34566-0174 | 9 | B | ST GRN | 72 | 71 | 70 | | | | 67 | 66 | | | | | 60 | | | | | | | | | | | | 52 | 51 | 50 | | | | 47 | 46 | | | | | | 39 | | 37 | | 35 | 33 | | | | | | | 73 | | | | | | 30 | 29 | 28 | | | 25 | 24 | 23 | 22 | | 20 | 19 | | 17 | | | | | | | | | | | | | | | | | | | | | 8 | 7 | | 3 | 1 | SALEABLE | NOT APPLICABLE | 34566-0184 | 9 | B | ST GRN | 72 | 71 | 70 | 69 | 68 | 67 | 66 | 65 | 64 | 63 | | 61 | | | 58 | 57 | 56 | 55 | 54 | 53 | | | | | | | 52 | 51 | 50 | 49 | 48 | 47 | 46 | 45 | 44 | 43 | 42 | 41 | 40 | | 37 | 36 | | | | | | | | | | 73 | | | | 32 | | 30 | 29 | 28 | | | 26 | 25 | 24 | | | 21 | | | | | | | | | | | | | 16 | | 14 | 13 | 12 | 11 | 10 | 9 | 8 | | | 6 | 5 | | 1 | | | | | | | | | | | | | | | | | | | | | | | | | | | | | | | | | | | | | | | | | | | | | | | | | | | | | | | | | | | | | | | | | | | | | | | | | | | | | | | | | | | | | | | | | | | | | | | | | | | | | | | | | | | | | | | | | | | | | | | | | | | | | | | | | | | | | | | | | | | | | | | | | | | | | | | | | | | | | | | | | | | | | | | | | | | | | | | | | | | | | | | | | | | | | | | | | | | | | | | | | | | | | | | | | | | | | | | | | | | | | | | | | | | | | | | | | | | | | | | | | | | | | | | | | | | | | | | | | | | | | | | | | | | | | | | | | | | | | | | | | | | | | | | | | | | | | | | | | | | | | | | | | | | | | | | | | | | | | | | | | | | | | | | | | | | | | | | | | | | | | | | | | | | | | | | | | | | | | | | | | | | | | | | | | | | | | | | | | | | | | | | | | | | | | | | | | | | | | | | | | | | | | | | | | | | | | | | | | | | | | | | | | | | | | | | | | | | | | | | | | | | | | | | | | | | | | | | | | | | | | | | | | | | | | | | | | | | | | | | | | | | | | | | | | | | | | | | | | | | | | | | | | | | | | | | | | | | | | | | | | | | | | | | | | | | | | | | | | | | | | | | | | | | | | | | | | | | | | | | | | | | | | | | | | | | | | | | | | | | | | | | | | | | | | | | | | | | | | | | | | | | | | | | | | | | | | | | | | | | | | | | | | | | | | | | | | | | | | | | | | | | | | | | | | | | | | | | | | | | | | | | | | | | | | | | | | | | | | | | | | | | | | | | | | | | | | | | | | | | | | | | | | | | | | | | | | | | | | | | | | | | | | | | | | | | | | | | | | | | | | | | | | | | | | | | | | | | | | | | | | | | | | | | | | | | | | | | | | | | | | | | | | | | | | | | | | | | | | | | | | | | | | | | | | | | | | | | | | | | | | | | | | | | | | | | | | | | | | | | | | | | | | | | | | | | | | | | | | | | | | | | | | | | | | | | | | | | | | | | | | | | | | | | | | | | | | | | | | | | | | | | | | | | | | | | | | | | | | | | | | | | | | | | | | | | | | | | | | | | | | | | | | | | | | | | | | | | | | | | | | | | | | | | | | | | | | | | | | | | | | | | | | | | | | | | | | | | | | | | | | | | | | | | | | | | | | | | | | | | | | | | | | | | | | | | | | | | | | | | | |
| | | | | | | | | | | | | | | | | | | | | | | | | | | | | | | | | | | | | | | | | | | | | | | | | | | | | | | | | | | | | | | | | | | | | | | | | | | | | | | | | | | | | | | | | | | | | | | | | | | | | | | | | | | | | | | | | | | | | | | | | | | | | | SALEABLE | NOT APPLICABLE | 34566-0174 | 9 | B | ST GRN | 72 | 71 | 70 | | | | 67 | 66 | | | | | 60 | | | | | | | | | | | | 52 | 51 | 50 | | | | 47 | 46 | | | | | | 39 | | 37 | | 35 | 33 | | | | | | | 73 | | | | | | 30 | 29 | 28 | | | 25 | 24 | 23 | 22 | | 20 | 19 | | 17 | | | | | | | | | | | | | | | | | | | | | 8 | 7 | | 3 | 1 | SALEABLE | NOT APPLICABLE | 34566-0184 | 9 | B | ST GRN | 72 | 71 | 70 | 69 | 68 | 67 | 66 | 65 | 64 | 63 | | 61 | | | 58 | 57 | 56 | 55 | 54 | 53 | | | | | | | 52 | 51 | 50 | 49 | 48 | 47 | 46 | 45 | 44 | 43 | 42 | 41 | 40 | | 37 | 36 | | | | | | | | | | 73 | | | | 32 | | 30 | 29 | 28 | | | 26 | 25 | 24 | | | 21 | | | | | | | | | | | | | 16 | | 14 | 13 | 12 | 11 | 10 | 9 | 8 | | | 6 | 5 | | 1 | | | | | | | | | | | | | | | | | | | | | | | | | | | | | | | | | | | | | | | | | | | | | | | | | | | | | | | | | | | | | | | | | | | | | | | | | | | | | | | | | | | | | | | | | | | | | | | | | | | | | | | | | | | | | | | | | | | | | | | | | | | | | | | | | | | | | | | | | | | | | | | | | | | | | | | | | | | | | | | | | | | | | | | | | | | | | | | | | | | | | | | | | | | | | | | | | | | | | | | | | | | | | | | | | | | | | | | | | | | | | | | | | | | | | | | | | | | | | | | | | | | | | | | | | | | | | | | | | | | | | | | | | | | | | | | | | | | | | | | | | | | | | | | | | | | | | | | | | | | | | | | | | | | | | | | | | | | | | | | | | | | | | | | | | | | | | | | | | | | | | | | | | | | | | | | | | | | | | | | | | | | | | | | | | | | | | | | | | | | | | | | | | | | | | | | | | | | | | | | | | | | | | | | | | | | | | | | | | | | | | | | | | | | | | | | | | | | | | | | | | | | | | | | | | | | | | | | | | | | | | | | | | | | | | | | | | | | | | | | | | | | | | | | | | | | | | | | | | | | | | | | | | | | | | | | | | | | | | | | | | | | | | | | | | | | | | | | | | | | | | | | | | | | | | | | | | | | | | | | | | | | | | | | | | | | | | | | | | | | | | | | | | | | | | | | | | | | | | | | | | | | | | | | | | | | | | | | | | | | | | | | | | | | | | | | | | | | | | | | | | | | | | | | | | | | | | | | | | | | | | | | | | | | | | | | | | | | | | | | | | | | | | | | | | | | | | | | | | | | | | | | | | | | | | | | | | | | | | | | | | | | | | | | | | | | | | | | | | | | | | | | | | | | | | | | | | | | | | | | | | | | | | | | | | | | | | | | | | | | | | | | | | | | | | | | | | | | | | | | | | | | | | | | | | | | | | | | | | | | | | | | | | | | | | | | | | | | | | | | | | | | | | | | | | | | | | | | | | | | | | | | | | | | | | | | | | | | | | | | | | | | | | | | | | | | | | | | | | | | | | | | | | | | | | | | | | | | | | | | | | | | | | | | | | | | | | | | | | | | | | | | | | | | | | | | | | | | | | | | | | | | | | | | | | | | | | | | | | | | | | | | | | | | | | | | | | | | | | | | | | | | | | | | | | | | | | | | | | | | | | | | | | | | | | | | | | | | | | | | | | | | | | | | | | | | | | | | | | | | | | | | | | |
| | | | | | | | | | | | | | | | | | | | | | | | | | | | | | | | | | | | | | | | | | | | | | | | | | | | | | | | | | | | | | | | | | | | | | | | | | | | | | | | | | | | | | | | | | | | | | | | | | | | | SALEABLE | NOT APPLICABLE | 34566-0174 | 9 | B | ST GRN | 72 | 71 | 70 | | | | 67 | 66 | | | | | 60 | | | | | | | | | | | | 52 | 51 | 50 | | | | 47 | 46 | | | | | | 39 | | 37 | | 35 | 33 | | | | | | | 73 | | | | | | 30 | 29 | 28 | | | 25 | 24 | 23 | 22 | | 20 | 19 | | 17 | | | | | | | | | | | | | | | | | | | | | 8 | 7 | | 3 | 1 | SALEABLE | NOT APPLICABLE | 34566-0184 | 9 | B | ST GRN | 72 | 71 | 70 | 69 | 68 | 67 | 66 | 65 | 64 | 63 | | 61 | | | 58 | 57 | 56 | 55 | 54 | 53 | | | | | | | 52 | 51 | 50 | 49 | 48 | 47 | 46 | 45 | 44 | 43 | 42 | 41 | 40 | | 37 | 36 | | | | | | | | | | 73 | | | | 32 | | 30 | 29 | 28 | | | 26 | 25 | 24 | | | 21 | | | | | | | | | | | | | 16 | | 14 | 13 | 12 | 11 | 10 | 9 | 8 | | | 6 | 5 | | 1 | | | | | | | | | | | | | | | | | | | | | | | | | | | | | | | | | | | | | | | | | | | | | | | | | | | | | | | | | | | | | | | | | | | | | | | | | | | | | | | | | | | | | | | | | | | | | | | | | | | | | | | | | | | | | | | | | | | | | | | | | | | | | | | | | | | | | | | | | | | | | | | | | | | | | | | | | | | | | | | | | | | | | | | | | | | | | | | | | | | | | | | | | | | | | | | | | | | | | | | | | | | | | | | | | | | | | | | | | | | | | | | | | | | | | | | | | | | | | | | | | | | | | | | | | | | | | | | | | | | | | | | | | | | | | | | | | | | | | | | | | | | | | | | | | | | | | | | | | | | | | | | | | | | | | | | | | | | | | | | | | | | | | | | | | | | | | | | | | | | | | | | | | | | | | | | | | | | | | | | | | | | | | | | | | | | | | | | | | | | | | | | | | | | | | | | | | | | | | | | | | | | | | | | | | | | | | | | | | | | | | | | | | | | | | | | | | | | | | | | | | | | | | | | | | | | | | | | | | | | | | | | | | | | | | | | | | | | | | | | | | | | | | | | | | | | | | | | | | | | | | | | | | | | | | | | | | | | | | | | | | | | | | | | | | | | | | | | | | | | | | | | | | | | | | | | | | | | | | | | | | | | | | | | | | | | | | | | | | | | | | | | | | | | | | | | | | | | | | | | | | | | | | | | | | | | | | | | | | | | | | | | | | | | | | | | | | | | | | | | | | | | | | | | | | | | | | | | | | | | | | | | | | | | | | | | | | | | | | | | | | | | | | | | | | | | | | | | | | | | | | | | | | | | | | | | | | | | | | | | | | | | | | | | | | | | | | | | | | | | | | | | | | | | | | | | | | | | | | | | | | | | | | | | | | | | | | | | | | | | | | | | | | | | | | | | | | | | | | | | | | | | | | | | | | | | | | | | | | | | | | | | | | | | | | | | | | | | | | | | | | | | | | | | | | | | | | | | | | | | | | | | | | | | | | | | | | | | | | | | | | | | | | | | | | | | | | | | | | | | | | | | | | | | | | | | | | | | | | | | | | | | | | | | | | | | | | | | | | | | | | | | | | | | | | | | | | | | | | | | | | | | | | | | | | | | | | | | | | | | | | | | | | | | | | | | | | | | | | | | | | | | | | | | | | | | | | | | | | | | | | | | | | | | | | | | | | | | | | | | | | | | | | | | | | | | | | | | | | | | | | | | | | | | | | | | | | | | | | | | | | | | | | | | | | | |
| | | | | | | | | | | | | | | | | | | | | | | | | | | | | | | | | | | | | | | | | | | | | | | | | | | | | | | | | | | | | | | | | | | | | | | | | | | | SALEABLE | NOT APPLICABLE | 34566-0174 | 9 | B | ST GRN | 72 | 71 | 70 | | | | 67 | 66 | | | | | 60 | | | | | | | | | | | | 52 | 51 | 50 | | | | 47 | 46 | | | | | | 39 | | 37 | | 35 | 33 | | | | | | | 73 | | | | | | 30 | 29 | 28 | | | 25 | 24 | 23 | 22 | | 20 | 19 | | 17 | | | | | | | | | | | | | | | | | | | | | 8 | 7 | | 3 | 1 | SALEABLE | NOT APPLICABLE | 34566-0184 | 9 | B | ST GRN | 72 | 71 | 70 | 69 | 68 | 67 | 66 | 65 | 64 | 63 | | 61 | | | 58 | 57 | 56 | 55 | 54 | 53 | | | | | | | 52 | 51 | 50 | 49 | 48 | 47 | 46 | 45 | 44 | 43 | 42 | 41 | 40 | | 37 | 36 | | | | | | | | | | 73 | | | | 32 | | 30 | 29 | 28 | | | 26 | 25 | 24 | | | 21 | | | | | | | | | | | | | 16 | | 14 | 13 | 12 | 11 | 10 | 9 | 8 | | | 6 | 5 | | 1 | | | | | | | | | | | | | | | | | | | | | | | | | | | | | | | | | | | | | | | | | | | | | | | | | | | | | | | | | | | | | | | | | | | | | | | | | | | | | | | | | | | | | | | | | | | | | | | | | | | | | | | | | | | | | | | | | | | | | | | | | | | | | | | | | | | | | | | | | | | | | | | | | | | | | | | | | | | | | | | | | | | | | | | | | | | | | | | | | | | | | | | | | | | | | | | | | | | | | | | | | | | | | | | | | | | | | | | | | | | | | | | | | | | | | | | | | | | | | | | | | | | | | | | | | | | | | | | | | | | | | | | | | | | | | | | | | | | | | | | | | | | | | | | | | | | | | | | | | | | | | | | | | | | | | | | | | | | | | | | | | | | | | | | | | | | | | | | | | | | | | | | | | | | | | | | | | | | | | | | | | | | | | | | | | | | | | | | | | | | | | | | | | | | | | | | | | | | | | | | | | | | | | | | | | | | | | | | | | | | | | | | | | | | | | | | | | | | | | | | | | | | | | | | | | | | | | | | | | | | | | | | | | | | | | | | | | | | | | | | | | | | | | | | | | | | | | | | | | | | | | | | | | | | | | | | | | | | | | | | | | | | | | | | | | | | | | | | | | | | | | | | | | | | | | | | | | | | | | | | | | | | | | | | | | | | | | | | | | | | | | | | | | | | | | | | | | | | | | | | | | | | | | | | | | | | | | | | | | | | | | | | | | | | | | | | | | | | | | | | | | | | | | | | | | | | | | | | | | | | | | | | | | | | | | | | | | | | | | | | | | | | | | | | | | | | | | | | | | | | | | | | | | | | | | | | | | | | | | | | | | | | | | | | | | | | | | | | | | | | | | | | | | | | | | | | | | | | | | | | | | | | | | | | | | | | | | | | | | | | | | | | | | | | | | | | | | | | | | | | | | | | | | | | | | | | | | | | | | | | | | | | | | | | | | | | | | | | | | | | | | | | | | | | | | | | | | | | | | | | | | | | | | | | | | | | | | | | | | | | | | | | | | | | | | | | | | | | | | | | | | | | | | | | | | | | | | | | | | | | | | | | | | | | | | | | | | | | | | | | | | | | | | | | | | | | | | | | | | | | | | | | | | | | | | | | | | | | | | | | | | | | | | | | | | | | | | | | | | | | | | | | | | | | | | | | | | | | | | | | | | | | | | | | | | | | | | | | | | | | | | | | | | | | | | | | | | | | | | | | | | | | | | | | | | | | | | | | | | | | | | | | | | | | | | | | | | | | | | | | | | | | | | | | | | | | | | | | |
| | | | | | | | | | | | | | | | | | | | | | | | | | | | | | | | | | | | | | | | | | | | | | | | | | | SALEABLE | NOT APPLICABLE | 34566-0174 | 9 | B | ST GRN | 72 | 71 | 70 | | | | 67 | 66 | | | | | 60 | | | | | | | | | | | | 52 | 51 | 50 | | | | 47 | 46 | | | | | | 39 | | 37 | | 35 | 33 | | | | | | | 73 | | | | | | 30 | 29 | 28 | | | 25 | 24 | 23 | 22 | | 20 | 19 | | 17 | | | | | | | | | | | | | | | | | | | | | 8 | 7 | | 3 | 1 | SALEABLE | NOT APPLICABLE | 34566-0184 | 9 | B | ST GRN | 72 | 71 | 70 | 69 | 68 | 67 | 66 | 65 | 64 | 63 | | 61 | | | 58 | 57 | 56 | 55 | 54 | 53 | | | | | | | 52 | 51 | 50 | 49 | 48 | 47 | 46 | 45 | 44 | 43 | 42 | 41 | 40 | | 37 | 36 | | | | | | | | | | 73 | | | | 32 | | 30 | 29 | 28 | | | 26 | 25 | 24 | | | 21 | | | | | | | | | | | | | 16 | | 14 | 13 | 12 | 11 | 10 | 9 | 8 | | | 6 | 5 | | 1 | | | | | | | | | | | | | | | | | | | | | | | | | | | | | | | | | | | | | | | | | | | | | | | | | | | | | | | | | | | | | | | | | | | | | | | | | | | | | | | | | | | | | | | | | | | | | | | | | | | | | | | | | | | | | | | | | | | | | | | | | | | | | | | | | | | | | | | | | | | | | | | | | | | | | | | | | | | | | | | | | | | | | | | | | | | | | | | | | | | | | | | | | | | | | | | | | | | | | | | | | | | | | | | | | | | | | | | | | | | | | | | | | | | | | | | | | | | | | | | | | | | | | | | | | | | | | | | | | | | | | | | | | | | | | | | | | | | | | | | | | | | | | | | | | | | | | | | | | | | | | | | | | | | | | | | | | | | | | | | | | | | | | | | | | | | | | | | | | | | | | | | | | | | | | | | | | | | | | | | | | | | | | | | | | | | | | | | | | | | | | | | | | | | | | | | | | | | | | | | | | | | | | | | | | | | | | | | | | | | | | | | | | | | | | | | | | | | | | | | | | | | | | | | | | | | | | | | | | | | | | | | | | | | | | | | | | | | | | | | | | | | | | | | | | | | | | | | | | | | | | | | | | | | | | | | | | | | | | | | | | | | | | | | | | | | | | | | | | | | | | | | | | | | | | | | | | | | | | | | | | | | | | | | | | | | | | | | | | | | | | | | | | | | | | | | | | | | | | | | | | | | | | | | | | | | | | | | | | | | | | | | | | | | | | | | | | | | | | | | | | | | | | | | | | | | | | | | | | | | | | | | | | | | | | | | | | | | | | | | | | | | | | | | | | | | | | | | | | | | | | | | | | | | | | | | | | | | | | | | | | | | | | | | | | | | | | | | | | | | | | | | | | | | | | | | | | | | | | | | | | | | | | | | | | | | | | | | | | | | | | | | | | | | | | | | | | | | | | | | | | | | | | | | | | | | | | | | | | | | | | | | | | | | | | | | | | | | | | | | | | | | | | | | | | | | | | | | | | | | | | | | | | | | | | | | | | | | | | | | | | | | | | | | | | | | | | | | | | | | | | | | | | | | | | | | | | | | | | | | | | | | | | | | | | | | | | | | | | | | | | | | | | | | | | | | | | | | | | | | | | | | | | | | | | | | | | | | | | | | | | | | | | | | | | | | | | | | | | | | | | | | | | | | | | | | | | | | | | | | | | | | | | | | | | | | | | | | | | | | | | | | | | | | | | | | | | | | | | | | | | | | | | | | | | | | | | | | | | | | | | | | | | | | | | | | | | | | | | | | | | | | | | | | | | | | | | | | | | | | | | | | | | | | | | | | | | | | | | | | | |
| | | | | | | | | | | | | | | | | | | | | | | | | | SALEABLE | NOT APPLICABLE | 34566-0174 | 9 | B | ST GRN | 72 | 71 | 70 | | | | 67 | 66 | | | | | 60 | | | | | | | | | | | | 52 | 51 | 50 | | | | 47 | 46 | | | | | | 39 | | 37 | | 35 | 33 | | | | | | | 73 | | | | | | 30 | 29 | 28 | | | 25 | 24 | 23 | 22 | | 20 | 19 | | 17 | | | | | | | | | | | | | | | | | | | | | 8 | 7 | | 3 | 1 | SALEABLE | NOT APPLICABLE | 34566-0184 | 9 | B | ST GRN | 72 | 71 | 70 | 69 | 68 | 67 | 66 | 65 | 64 | 63 | | 61 | | | 58 | 57 | 56 | 55 | 54 | 53 | | | | | | | 52 | 51 | 50 | 49 | 48 | 47 | 46 | 45 | 44 | 43 | 42 | 41 | 40 | | 37 | 36 | | | | | | | | | | 73 | | | | 32 | | 30 | 29 | 28 | | | 26 | 25 | 24 | | | 21 | | | | | | | | | | | | | 16 | | 14 | 13 | 12 | 11 | 10 | 9 | 8 | | | 6 | 5 | | 1 | | | | | | | | | | | | | | | | | | | | | | | | | | | | | | | | | | | | | | | | | | | | | | | | | | | | | | | | | | | | | | | | | | | | | | | | | | | | | | | | | | | | | | | | | | | | | | | | | | | | | | | | | | | | | | | | | | | | | | | | | | | | | | | | | | | | | | | | | | | | | | | | | | | | | | | | | | | | | | | | | | | | | | | | | | | | | | | | | | | | | | | | | | | | | | | | | | | | | | | | | | | | | | | | | | | | | | | | | | | | | | | | | | | | | | | | | | | | | | | | | | | | | | | | | | | | | | | | | | | | | | | | | | | | | | | | | | | | | | | | | | | | | | | | | | | | | | | | | | | | | | | | | | | | | | | | | | | | | | | | | | | | | | | | | | | | | | | | | | | | | | | | | | | | | | | | | | | | | | | | | | | | | | | | | | | | | | | | | | | | | | | | | | | | | | | | | | | | | | | | | | | | | | | | | | | | | | | | | | | | | | | | | | | | | | | | | | | | | | | | | | | | | | | | | | | | | | | | | | | | | | | | | | | | | | | | | | | | | | | | | | | | | | | | | | | | | | | | | | | | | | | | | | | | | | | | | | | | | | | | | | | | | | | | | | | | | | | | | | | | | | | | | | | | | | | | | | | | | | | | | | | | | | | | | | | | | | | | | | | | | | | | | | | | | | | | | | | | | | | | | | | | | | | | | | | | | | | | | | | | | | | | | | | | | | | | | | | | | | | | | | | | | | | | | | | | | | | | | | | | | | | | | | | | | | | | | | | | | | | | | | | | | | | | | | | | | | | | | | | | | | | | | | | | | | | | | | | | | | | | | | | | | | | | | | | | | | | | | | | | | | | | | | | | | | | | | | | | | | | | | | | | | | | | | | | | | | | | | | | | | | | | | | | | | | | | | | | | | | | | | | | | | | | | | | | | | | | | | | | | | | | | | | | | | | | | | | | | | | | | | | | | | | | | | | | | | | | | | | | | | | | | | | | | | | | | | | | | | | | | | | | | | | | | | | | | | | | | | | | | | | | | | | | | | | | | | | | | | | | | | | | | | | | | | | | | | | | | | | | | | | | | | | | | | | | | | | | | | | | | | | | | | | | | | | | | | | | | | | | | | | | | | | | | | | | | | | | | | | | | | | | | | | | | | | | | | | | | | | | | | | | | | | | | | | | | | | | | | | | | | | | | | | | | | | | | | | | | | | | | | | | | | | | | | | | | | | | | | | | | | | | | | | | | | | | | | | | | | | | | | | | | | | | | | | | | | | | | | | | | | | | | | | | | | | | | | | | | | | | | | | | | | | | | | | | | | | | | | | | | | | | | | |
| SALEABLE | NOT APPLICABLE | 34566-0174 | 9 | B | ST GRN | 72 | 71 | 70 | | | | 67 | 66 | | | | | 60 | | | | | | | | | | | | 52 | 51 | 50 | | | | 47 | 46 | | | | | | 39 | | 37 | | 35 | 33 | | | | | | | 73 | | | | | | 30 | 29 | 28 | | | 25 | 24 | 23 | 22 | | 20 | 19 | | 17 | | | | | | | | | | | | | | | | | | | | | 8 | 7 | | 3 | 1 | SALEABLE | NOT APPLICABLE | 34566-0184 | 9 | B | ST GRN | 72 | 71 | 70 | 69 | 68 | 67 | 66 | 65 | 64 | 63 | | 61 | | | 58 | 57 | 56 | 55 | 54 | 53 | | | | | | | 52 | 51 | 50 | 49 | 48 | 47 | 46 | 45 | 44 | 43 | 42 | 41 | 40 | | 37 | 36 | | | | | | | | | | 73 | | | | 32 | | 30 | 29 | 28 | | | 26 | 25 | 24 | | | 21 | | | | | | | | | | | | | 16 | | 14 | 13 | 12 | 11 | 10 | 9 | 8 | | | 6 | 5 | | 1 | | | | | | | | | | | | | | | | | | | | | | | | | | | | | | | | | | | | | | | | | | | | | | | | | | | | | | | | | | | | | | | | | | | | | | | | | | | | | | | | | | | | | | | | | | | | | | | | | | | | | | | | | | | | | | | | | | | | | | | | | | | | | | | | | | | | | | | | | | | | | | | | | | | | | | | | | | | | | | | | | | | | | | | | | | | | | | | | | | | | | | | | | | | | | | | | | | | | | | | | | | | | | | | | | | | | | | | | | | | | | | | | | | | | | | | | | | | | | | | | | | | | | | | | | | | | | | | | | | | | | | | | | | | | | | | | | | | | | | | | | | | | | | | | | | | | | | | | | | | | | | | | | | | | | | | | | | | | | | | | | | | | | | | | | | | | | | | | | | | | | | | | | | | | | | | | | | | | | | | | | | | | | | | | | | | | | | | | | | | | | | | | | | | | | | | | | | | | | | | | | | | | | | | | | | | | | | | | | | | | | | | | | | | | | | | | | | | | | | | | | | | | | | | | | | | | | | | | | | | | | | | | | | | | | | | | | | | | | | | | | | | | | | | | | | | | | | | | | | | | | | | | | | | | | | | | | | | | | | | | | | | | | | | | | | | | | | | | | | | | | | | | | | | | | | | | | | | | | | | | | | | | | | | | | | | | | | | | | | | | | | | | | | | | | | | | | | | | | | | | | | | | | | | | | | | | | | | | | | | | | | | | | | | | | | | | | | | | | | | | | | | | | | | | | | | | | | | | | | | | | | | | | | | | | | | | | | | | | | | | | | | | | | | | | | | | | | | | | | | | | | | | | | | | | | | | | | | | | | | | | | | | | | | | | | | | | | | | | | | | | | | | | | | | | | | | | | | | | | | | | | | | | | | | | | | | | | | | | | | | | | | | | | | | | | | | | | | | | | | | | | | | | | | | | | | | | | | | | | | | | | | | | | | | | | | | | | | | | | | | | | | | | | | | | | | | | | | | | | | | | | | | | | | | | | | | | | | | | | | | | | | | | | | | | | | | | | | | | | | | | | | | | | | | | | | | | | | | | | | | | | | | | | | | | | | | | | | | | | | | | | | | | | | | | | | | | | | | | | | | | | | | | | | | | | | | | | | | | | | | | | | | | | | | | | | | | | | | | | | | | | | | | | | | | | | | | | | | | | | | | | | | | | | | | | | | | | | | | | | | | | | | | | | | | | | | | | | | | | | | | | | | | | | | | | | | | | | | | | | | | | | | | | | | | | | | | | | | | | | | | | | | | | | | | | | | | | | | | | | | | | | | | | | | | | | | | | | | | | | | | | | | | | | | | | | | | | | | | | | | | | | | | | | | | | | | | | | | | | | | | | | | | | | | | | |
| | | | | | | 52 | 51 | 50 | | | | 47 | 46 | | | | | | 39 | | 37 | | 35 | 33 | | | | | | | 73 | | | | | | 30 | 29 | 28 | | | 25 | 24 | 23 | 22 | | 20 | 19 | | 17 | | | | | | | | | | | | | | | | | | | | | 8 | 7 | | 3 | 1 | SALEABLE | NOT APPLICABLE | 34566-0184 | 9 | B | ST GRN | 72 | 71 | 70 | 69 | 68 | 67 | 66 | 65 | 64 | 63 | | 61 | | | 58 | 57 | 56 | 55 | 54 | 53 | | | | | | | 52 | 51 | 50 | 49 | 48 | 47 | 46 | 45 | 44 | 43 | 42 | 41 | 40 | | 37 | 36 | | | | | | | | | | 73 | | | | 32 | | 30 | 29 | 28 | | | 26 | 25 | 24 | | | 21 | | | | | | | | | | | | | 16 | | 14 | 13 | 12 | 11 | 10 | 9 | 8 | | | 6 | 5 | | 1 | | | | | | | | | | | | | | | | | | | | | | | | | | | | | | | | | | | | | | | | | | | | | | | | | | | | | | | | | | | | | | | | | | | | | | | | | | | | | | | | | | | | | | | | | | | | | | | | | | | | | | | | | | | | | | | | | | | | | | | | | | | | | | | | | | | | | | | | | | | | | | | | | | | | | | | | | | | | | | | | | | | | | | | | | | | | | | | | | | | | | | | | | | | | | | | | | | | | | | | | | | | | | | | | | | | | | | | | | | | | | | | | | | | | | | | | | | | | | | | | | | | | | | | | | | | | | | | | | | | | | | | | | | | | | | | | | | | | | | | | | | | | | | | | | | | | | | | | | | | | | | | | | | | | | | | | | | | | | | | | | | | | | | | | | | | | | | | | | | | | | | | | | | | | | | | | | | | | | | | | | | | | | | | | | | | | | | | | | | | | | | | | | | | | | | | | | | | | | | | | | | | | | | | | | | | | | | | | | | | | | | | | | | | | | | | | | | | | | | | | | | | | | | | | | | | | | | | | | | | | | | | | | | | | | | | | | | | | | | | | | | | | | | | | | | | | | | | | | | | | | | | | | | | | | | | | | | | | | | | | | | | | | | | | | | | | | | | | | | | | | | | | | | | | | | | | | | | | | | | | | | | | | | | | | | | | | | | | | | | | | | | | | | | | | | | | | | | | | | | | | | | | | | | | | | | | | | | | | | | | | | | | | | | | | | | | | | | | | | | | | | | | | | | | | | | | | | | | | | | | | | | | | | | | | | | | | | | | | | | | | | | | | | | | | | | | | | | | | | | | | | | | | | | | | | | | | | | | | | | | | | | | | | | | | | | | | | | | | | | | | | | | | | | | | | | | | | | | | | | | | | | | | | | | | | | | | | | | | | | | | | | | | | | | | | | | | | | | | | | | | | | | | | | | | | | | | | | | | | | | | | | | | | | | | | | | | | | | | | | | | | | | | | | | | | | | | | | | | | | | | | | | | | | | | | | | | | | | | | | | | | | | | | | | | | | | | | | | | | | | | | | | | | | | | | | | | | | | | | | | | | | | | | | | | | | | | | | | | | | | | | | | | | | | | | | | | | | | | | | | | | | | | | | | | | | | | | | | | | | | | | | | | | | | | | | | | | | | | | | | | | | | | | | | | | | | | | | | | | | | | | | | | | | | | | | | | | | | | | | | | | | | | | | | | | | | | | | | | | | | | | | | | | | | | | | | | | | | | | | | | | | | | | | | | | | | | | | | | | | | | | | | | | | | | | | | | | | | | | | | | | | | | | | | | | | | | | | | | | | | | | | | | | | | | | | | | | | | | | | | | | | | | | | | | | | | | | | | | | | | | | | | | | | | | | | | | | | | | | | | | | | | | | | | | | | | | | |
| | | | | | | 73 | | | | | | 30 | 29 | 28 | | | 25 | 24 | 23 | 22 | | 20 | 19 | | 17 | | | | | | | | | | | | | | | | | | | | | 8 | 7 | | 3 | 1 | SALEABLE | NOT APPLICABLE | 34566-0184 | 9 | B | ST GRN | 72 | 71 | 70 | 69 | 68 | 67 | 66 | 65 | 64 | 63 | | 61 | | | 58 | 57 | 56 | 55 | 54 | 53 | | | | | | | 52 | 51 | 50 | 49 | 48 | 47 | 46 | 45 | 44 | 43 | 42 | 41 | 40 | | 37 | 36 | | | | | | | | | | 73 | | | | 32 | | 30 | 29 | 28 | | | 26 | 25 | 24 | | | 21 | | | | | | | | | | | | | 16 | | 14 | 13 | 12 | 11 | 10 | 9 | 8 | | | 6 | 5 | | 1 | | | | | | | | | | | | | | | | | | | | | | | | | | | | | | | | | | | | | | | | | | | | | | | | | | | | | | | | | | | | | | | | | | | | | | | | | | | | | | | | | | | | | | | | | | | | | | | | | | | | | | | | | | | | | | | | | | | | | | | | | | | | | | | | | | | | | | | | | | | | | | | | | | | | | | | | | | | | | | | | | | | | | | | | | | | | | | | | | | | | | | | | | | | | | | | | | | | | | | | | | | | | | | | | | | | | | | | | | | | | | | | | | | | | | | | | | | | | | | | | | | | | | | | | | | | | | | | | | | | | | | | | | | | | | | | | | | | | | | | | | | | | | | | | | | | | | | | | | | | | | | | | | | | | | | | | | | | | | | | | | | | | | | | | | | | | | | | | | | | | | | | | | | | | | | | | | | | | | | | | | | | | | | | | | | | | | | | | | | | | | | | | | | | | | | | | | | | | | | | | | | | | | | | | | | | | | | | | | | | | | | | | | | | | | | | | | | | | | | | | | | | | | | | | | | | | | | | | | | | | | | | | | | | | | | | | | | | | | | | | | | | | | | | | | | | | | | | | | | | | | | | | | | | | | | | | | | | | | | | | | | | | | | | | | | | | | | | | | | | | | | | | | | | | | | | | | | | | | | | | | | | | | | | | | | | | | | | | | | | | | | | | | | | | | | | | | | | | | | | | | | | | | | | | | | | | | | | | | | | | | | | | | | | | | | | | | | | | | | | | | | | | | | | | | | | | | | | | | | | | | | | | | | | | | | | | | | | | | | | | | | | | | | | | | | | | | | | | | | | | | | | | | | | | | | | | | | | | | | | | | | | | | | | | | | | | | | | | | | | | | | | | | | | | | | | | | | | | | | | | | | | | | | | | | | | | | | | | | | | | | | | | | | | | | | | | | | | | | | | | | | | | | | | | | | | | | | | | | | | | | | | | | | | | | | | | | | | | | | | | | | | | | | | | | | | | | | | | | | | | | | | | | | | | | | | | | | | | | | | | | | | | | | | | | | | | | | | | | | | | | | | | | | | | | | | | | | | | | | | | | | | | | | | | | | | | | | | | | | | | | | | | | | | | | | | | | | | | | | | | | | | | | | | | | | | | | | | | | | | | | | | | | | | | | | | | | | | | | | | | | | | | | | | | | | | | | | | | | | | | | | | | | | | | | | | | | | | | | | | | | | | | | | | | | | | | | | | | | | | | | | | | | | | | | | | | | | | | | | | | | | | | | | | | | | | | | | | | | | | | | | | | | | | | | | | | | | | | | | | | | | | | | | | | | | | | | | | | | | | | | | | | | | | | | | | | | | | | | | | | | | | | | | | | | | | | | | | | | | | | | | | | | | | | | | | | | | | | | | | | | | | | | | | | | | | | | | | | | | | | | | | | | | | | | | | | | | | | | | | |
| | | | | | | | | | | | | | | | | | | | | 8 | 7 | | 3 | 1 | SALEABLE | NOT APPLICABLE | 34566-0184 | 9 | B | ST GRN | 72 | 71 | 70 | 69 | 68 | 67 | 66 | 65 | 64 | 63 | | 61 | | | 58 | 57 | 56 | 55 | 54 | 53 | | | | | | | 52 | 51 | 50 | 49 | 48 | 47 | 46 | 45 | 44 | 43 | 42 | 41 | 40 | | 37 | 36 | | | | | | | | | | 73 | | | | 32 | | 30 | 29 | 28 | | | 26 | 25 | 24 | | | 21 | | | | | | | | | | | | | 16 | | 14 | 13 | 12 | 11 | 10 | 9 | 8 | | | 6 | 5 | | 1 | | | | | | | | | | | | | | | | | | | | | | | | | | | | | | | | | | | | | | | | | | | | | | | | | | | | | | | | | | | | | | | | | | | | | | | | | | | | | | | | | | | | | | | | | | | | | | | | | | | | | | | | | | | | | | | | | | | | | | | | | | | | | | | | | | | | | | | | | | | | | | | | | | | | | | | | | | | | | | | | | | | | | | | | | | | | | | | | | | | | | | | | | | | | | | | | | | | | | | | | | | | | | | | | | | | | | | | | | | | | | | | | | | | | | | | | | | | | | | | | | | | | | | | | | | | | | | | | | | | | | | | | | | | | | | | | | | | | | | | | | | | | | | | | | | | | | | | | | | | | | | | | | | | | | | | | | | | | | | | | | | | | | | | | | | | | | | | | | | | | | | | | | | | | | | | | | | | | | | | | | | | | | | | | | | | | | | | | | | | | | | | | | | | | | | | | | | | | | | | | | | | | | | | | | | | | | | | | | | | | | | | | | | | | | | | | | | | | | | | | | | | | | | | | | | | | | | | | | | | | | | | | | | | | | | | | | | | | | | | | | | | | | | | | | | | | | | | | | | | | | | | | | | | | | | | | | | | | | | | | | | | | | | | | | | | | | | | | | | | | | | | | | | | | | | | | | | | | | | | | | | | | | | | | | | | | | | | | | | | | | | | | | | | | | | | | | | | | | | | | | | | | | | | | | | | | | | | | | | | | | | | | | | | | | | | | | | | | | | | | | | | | | | | | | | | | | | | | | | | | | | | | | | | | | | | | | | | | | | | | | | | | | | | | | | | | | | | | | | | | | | | | | | | | | | | | | | | | | | | | | | | | | | | | | | | | | | | | | | | | | | | | | | | | | | | | | | | | | | | | | | | | | | | | | | | | | | | | | | | | | | | | | | | | | | | | | | | | | | | | | | | | | | | | | | | | | | | | | | | | | | | | | | | | | | | | | | | | | | | | | | | | | | | | | | | | | | | | | | | | | | | | | | | | | | | | | | | | | | | | | | | | | | | | | | | | | | | | | | | | | | | | | | | | | | | | | | | | | | | | | | | | | | | | | | | | | | | | | | | | | | | | | | | | | | | | | | | | | | | | | | | | | | | | | | | | | | | | | | | | | | | | | | | | | | | | | | | | | | | | | | | | | | | | | | | | | | | | | | | | | | | | | | | | | | | | | | | | | | | | | | | | | | | | | | | | | | | | | | | | | | | | | | | | | | | | | | | | | | | | | | | | | | | | | | | | | | | | | | | | | | | | | | | | | | | | | | | | | | | | | | | | | | | | | | | | | | | | | | | | | | | | | | | | | | | | | | | | | | | | | | | | | | | | | | | | | | | | | | | | | | | | | | | | | | | | | | | | | | | | | | | | | | | | | | | | | | | | | | | | | | | | | | | | | | | | | | | | | | | | | | | | | | | | | | | | | | | | | | | | | | | | | |
| SALEABLE | NOT APPLICABLE | 34566-0184 | 9 | B | ST GRN | 72 | 71 | 70 | 69 | 68 | 67 | 66 | 65 | 64 | 63 | | 61 | | | 58 | 57 | 56 | 55 | 54 | 53 | | | | | | | 52 | 51 | 50 | 49 | 48 | 47 | 46 | 45 | 44 | 43 | 42 | 41 | 40 | | 37 | 36 | | | | | | | | | | 73 | | | | 32 | | 30 | 29 | 28 | | | 26 | 25 | 24 | | | 21 | | | | | | | | | | | | | 16 | | 14 | 13 | 12 | 11 | 10 | 9 | 8 | | | 6 | 5 | | 1 | | | | | | | | | | | | | | | | | | | | | | | | | | | | | | | | | | | | | | | | | | | | | | | | | | | | | | | | | | | | | | | | | | | | | | | | | | | | | | | | | | | | | | | | | | | | | | | | | | | | | | | | | | | | | | | | | | | | | | | | | | | | | | | | | | | | | | | | | | | | | | | | | | | | | | | | | | | | | | | | | | | | | | | | | | | | | | | | | | | | | | | | | | | | | | | | | | | | | | | | | | | | | | | | | | | | | | | | | | | | | | | | | | | | | | | | | | | | | | | | | | | | | | | | | | | | | | | | | | | | | | | | | | | | | | | | | | | | | | | | | | | | | | | | | | | | | | | | | | | | | | | | | | | | | | | | | | | | | | | | | | | | | | | | | | | | | | | | | | | | | | | | | | | | | | | | | | | | | | | | | | | | | | | | | | | | | | | | | | | | | | | | | | | | | | | | | | | | | | | | | | | | | | | | | | | | | | | | | | | | | | | | | | | | | | | | | | | | | | | | | | | | | | | | | | | | | | | | | | | | | | | | | | | | | | | | | | | | | | | | | | | | | | | | | | | | | | | | | | | | | | | | | | | | | | | | | | | | | | | | | | | | | | | | | | | | | | | | | | | | | | | | | | | | | | | | | | | | | | | | | | | | | | | | | | | | | | | | | | | | | | | | | | | | | | | | | | | | | | | | | | | | | | | | | | | | | | | | | | | | | | | | | | | | | | | | | | | | | | | | | | | | | | | | | | | | | | | | | | | | | | | | | | | | | | | | | | | | | | | | | | | | | | | | | | | | | | | | | | | | | | | | | | | | | | | | | | | | | | | | | | | | | | | | | | | | | | | | | | | | | | | | | | | | | | | | | | | | | | | | | | | | | | | | | | | | | | | | | | | | | | | | | | | | | | | | | | | | | | | | | | | | | | | | | | | | | | | | | | | | | | | | | | | | | | | | | | | | | | | | | | | | | | | | | | | | | | | | | | | | | | | | | | | | | | | | | | | | | | | | | | | | | | | | | | | | | | | | | | | | | | | | | | | | | | | | | | | | | | | | | | | | | | | | | | | | | | | | | | | | | | | | | | | | | | | | | | | | | | | | | | | | | | | | | | | | | | | | | | | | | | | | | | | | | | | | | | | | | | | | | | | | | | | | | | | | | | | | | | | | | | | | | | | | | | | | | | | | | | | | | | | | | | | | | | | | | | | | | | | | | | | | | | | | | | | | | | | | | | | | | | | | | | | | | | | | | | | | | | | | | | | | | | | | | | | | | | | | | | | | | | | | | | | | | | | | | | | | | | | | | | | | | | | | | | | | | | | | | | | | | | | | | | | | | | | | | | | | | | | | | | | | | | | | | | | | | | | | | | | | | | | | | | | | | | | | | | | | | | | | | | | | | | | | | | | | | | | | | | | | | | | | | | | | | | | | | | | | | | | | | | | | | | | | | | | | | | | | | | | | | | | | | | | | | | |
| | | | | | | 52 | 51 | 50 | 49 | 48 | 47 | 46 | 45 | 44 | 43 | 42 | 41 | 40 | | 37 | 36 | | | | | | | | | | 73 | | | | 32 | | 30 | 29 | 28 | | | 26 | 25 | 24 | | | 21 | | | | | | | | | | | | | 16 | | 14 | 13 | 12 | 11 | 10 | 9 | 8 | | | 6 | 5 | | 1 | | | | | | | | | | | | | | | | | | | | | | | | | | | | | | | | | | | | | | | | | | | | | | | | | | | | | | | | | | | | | | | | | | | | | | | | | | | | | | | | | | | | | | | | | | | | | | | | | | | | | | | | | | | | | | | | | | | | | | | | | | | | | | | | | | | | | | | | | | | | | | | | | | | | | | | | | | | | | | | | | | | | | | | | | | | | | | | | | | | | | | | | | | | | | | | | | | | | | | | | | | | | | | | | | | | | | | | | | | | | | | | | | | | | | | | | | | | | | | | | | | | | | | | | | | | | | | | | | | | | | | | | | | | | | | | | | | | | | | | | | | | | | | | | | | | | | | | | | | | | | | | | | | | | | | | | | | | | | | | | | | | | | | | | | | | | | | | | | | | | | | | | | | | | | | | | | | | | | | | | | | | | | | | | | | | | | | | | | | | | | | | | | | | | | | | | | | | | | | | | | | | | | | | | | | | | | | | | | | | | | | | | | | | | | | | | | | | | | | | | | | | | | | | | | | | | | | | | | | | | | | | | | | | | | | | | | | | | | | | | | | | | | | | | | | | | | | | | | | | | | | | | | | | | | | | | | | | | | | | | | | | | | | | | | | | | | | | | | | | | | | | | | | | | | | | | | | | | | | | | | | | | | | | | | | | | | | | | | | | | | | | | | | | | | | | | | | | | | | | | | | | | | | | | | | | | | | | | | | | | | | | | | | | | | | | | | | | | | | | | | | | | | | | | | | | | | | | | | | | | | | | | | | | | | | | | | | | | | | | | | | | | | | | | | | | | | | | | | | | | | | | | | | | | | | | | | | | | | | | | | | | | | | | | | | | | | | | | | | | | | | | | | | | | | | | | | | | | | | | | | | | | | | | | | | | | | | | | | | | | | | | | | | | | | | | | | | | | | | | | | | | | | | | | | | | | | | | | | | | | | | | | | | | | | | | | | | | | | | | | | | | | | | | | | | | | | | | | | | | | | | | | | | | | | | | | | | | | | | | | | | | | | | | | | | | | | | | | | | | | | | | | | | | | | | | | | | | | | | | | | | | | | | | | | | | | | | | | | | | | | | | | | | | | | | | | | | | | | | | | | | | | | | | | | | | | | | | | | | | | | | | | | | | | | | | | | | | | | | | | | | | | | | | | | | | | | | | | | | | | | | | | | | | | | | | | | | | | | | | | | | | | | | | | | | | | | | | | | | | | | | | | | | | | | | | | | | | | | | | | | | | | | | | | | | | | | | | | | | | | | | | | | | | | | | | | | | | | | | | | | | | | | | | | | | | | | | | | | | | | | | | | | | | | | | | | | | | | | | | | | | | | | | | | | | | | | | | | | | | | | | | | | | | | | | | | | | | | | | | | | | | | | | | | | | | | | | | | | | | | | | | | | | | | | | | | | | | | | | | | | | | | | | | | | | | | | | | | | | | | | | | | | | | | | | | | | | | | | | | | | | | | | | | | | | | | | | | | | | | | | | | | | | | | | | | | | | | | |
| | | | | | | 73 | | | | 32 | | 30 | 29 | 28 | | | 26 | 25 | 24 | | | 21 | | | | | | | | | | | | | 16 | | 14 | 13 | 12 | 11 | 10 | 9 | 8 | | | 6 | 5 | | 1 | | | | | | | | | | | | | | | | | | | | | | | | | | | | | | | | | | | | | | | | | | | | | | | | | | | | | | | | | | | | | | | | | | | | | | | | | | | | | | | | | | | | | | | | | | | | | | | | | | | | | | | | | | | | | | | | | | | | | | | | | | | | | | | | | | | | | | | | | | | | | | | | | | | | | | | | | | | | | | | | | | | | | | | | | | | | | | | | | | | | | | | | | | | | | | | | | | | | | | | | | | | | | | | | | | | | | | | | | | | | | | | | | | | | | | | | | | | | | | | | | | | | | | | | | | | | | | | | | | | | | | | | | | | | | | | | | | | | | | | | | | | | | | | | | | | | | | | | | | | | | | | | | | | | | | | | | | | | | | | | | | | | | | | | | | | | | | | | | | | | | | | | | | | | | | | | | | | | | | | | | | | | | | | | | | | | | | | | | | | | | | | | | | | | | | | | | | | | | | | | | | | | | | | | | | | | | | | | | | | | | | | | | | | | | | | | | | | | | | | | | | | | | | | | | | | | | | | | | | | | | | | | | | | | | | | | | | | | | | | | | | | | | | | | | | | | | | | | | | | | | | | | | | | | | | | | | | | | | | | | | | | | | | | | | | | | | | | | | | | | | | | | | | | | | | | | | | | | | | | | | | | | | | | | | | | | | | | | | | | | | | | | | | | | | | | | | | | | | | | | | | | | | | | | | | | | | | | | | | | | | | | | | | | | | | | | | | | | | | | | | | | | | | | | | | | | | | | | | | | | | | | | | | | | | | | | | | | | | | | | | | | | | | | | | | | | | | | | | | | | | | | | | | | | | | | | | | | | | | | | | | | | | | | | | | | | | | | | | | | | | | | | | | | | | | | | | | | | | | | | | | | | | | | | | | | | | | | | | | | | | | | | | | | | | | | | | | | | | | | | | | | | | | | | | | | | | | | | | | | | | | | | | | | | | | | | | | | | | | | | | | | | | | | | | | | | | | | | | | | | | | | | | | | | | | | | | | | | | | | | | | | | | | | | | | | | | | | | | | | | | | | | | | | | | | | | | | | | | | | | | | | | | | | | | | | | | | | | | | | | | | | | | | | | | | | | | | | | | | | | | | | | | | | | | | | | | | | | | | | | | | | | | | | | | | | | | | | | | | | | | | | | | | | | | | | | | | | | | | | | | | | | | | | | | | | | | | | | | | | | | | | | | | | | | | | | | | | | | | | | | | | | | | | | | | | | | | | | | | | | | | | | | | | | | | | | | | | | | | | | | | | | | | | | | | | | | | | | | | | | | | | | | | | | | | | | | | | | | | | | | | | | | | | | | | | | | | | | | | | | | | | | | | | | | | | | | | | | | | | | | | | | | | | | | | | | | | | | | | | | | | | | | | | | | | | | | | | | | | | | | | | | | | | | | | | | | | | | | | | | | | | | | | | | | | | | | | | | | | | | | | | | | | | | | | | | | | | | | | | | | | | | | | | | | | | | | | | | | | | | | | | | | | | | | | | | | | | | | | | | | | | | | | | | | | | | | | | | | | | | | |
| | | | | | | | | | | 16 | | 14 | 13 | 12 | 11 | 10 | 9 | 8 | | | 6 | 5 | | 1 | | | | | | | | | | | | | | | | | | | | | | | | | | | | | | | | | | | | | | | | | | | | | | | | | | | | | | | | | | | | | | | | | | | | | | | | | | | | | | | | | | | | | | | | | | | | | | | | | | | | | | | | | | | | | | | | | | | | | | | | | | | | | | | | | | | | | | | | | | | | | | | | | | | | | | | | | | | | | | | | | | | | | | | | | | | | | | | | | | | | | | | | | | | | | | | | | | | | | | | | | | | | | | | | | | | | | | | | | | | | | | | | | | | | | | | | | | | | | | | | | | | | | | | | | | | | | | | | | | | | | | | | | | | | | | | | | | | | | | | | | | | | | | | | | | | | | | | | | | | | | | | | | | | | | | | | | | | | | | | | | | | | | | | | | | | | | | | | | | | | | | | | | | | | | | | | | | | | | | | | | | | | | | | | | | | | | | | | | | | | | | | | | | | | | | | | | | | | | | | | | | | | | | | | | | | | | | | | | | | | | | | | | | | | | | | | | | | | | | | | | | | | | | | | | | | | | | | | | | | | | | | | | | | | | | | | | | | | | | | | | | | | | | | | | | | | | | | | | | | | | | | | | | | | | | | | | | | | | | | | | | | | | | | | | | | | | | | | | | | | | | | | | | | | | | | | | | | | | | | | | | | | | | | | | | | | | | | | | | | | | | | | | | | | | | | | | | | | | | | | | | | | | | | | | | | | | | | | | | | | | | | | | | | | | | | | | | | | | | | | | | | | | | | | | | | | | | | | | | | | | | | | | | | | | | | | | | | | | | | | | | | | | | | | | | | | | | | | | | | | | | | | | | | | | | | | | | | | | | | | | | | | | | | | | | | | | | | | | | | | | | | | | | | | | | | | | | | | | | | | | | | | | | | | | | | | | | | | | | | | | | | | | | | | | | | | | | | | | | | | | | | | | | | | | | | | | | | | | | | | | | | | | | | | | | | | | | | | | | | | | | | | | | | | | | | | | | | | | | | | | | | | | | | | | | | | | | | | | | | | | | | | | | | | | | | | | | | | | | | | | | | | | | | | | | | | | | | | | | | | | | | | | | | | | | | | | | | | | | | | | | | | | | | | | | | | | | | | | | | | | | | | | | | | | | | | | | | | | | | | | | | | | | | | | | | | | | | | | | | | | | | | | | | | | | | | | | | | | | | | | | | | | | | | | | | | | | | | | | | | | | | | | | | | | | | | | | | | | | | | | | | | | | | | | | | | | | | | | | | | | | | | | | | | | | | | | | | | | | | | | | | | | | | | | | | | | | | | | | | | | | | | | | | | | | | | | | | | | | | | | | | | | | | | | | | | | | | | | | | | | | | | | | | | | | | | | | | | | | | | | | | | | | | | | | | | | | | | | | | | | | | | | | | | | | | | | | | | | | | | | | | | | | | | | | | | | | | | | | | | | | | | | | | | | | | | | | | | | | | | | | | | | | | | | | | | | | | | | | | | | | | | | | | | | | | | | | | | | | | | | | | | | | | | | | | | | | | | | | | | | | | | | | | | | | | | | | | | | | | | | | | | | | | | | | | | | | | | | | | | | | | | | | |