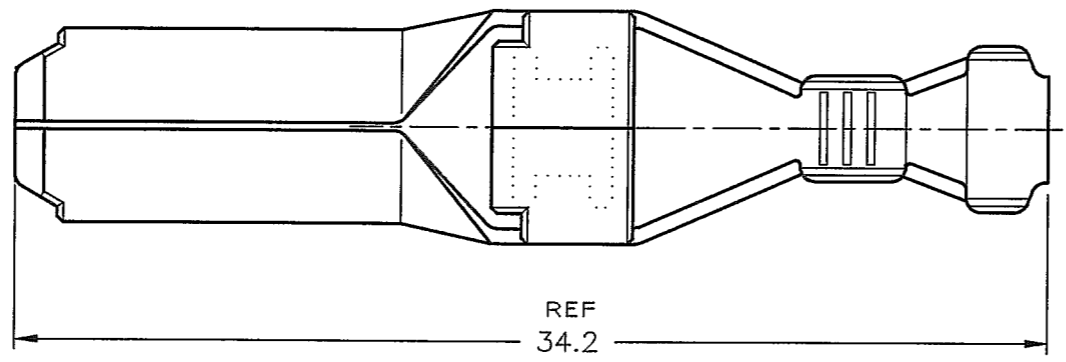
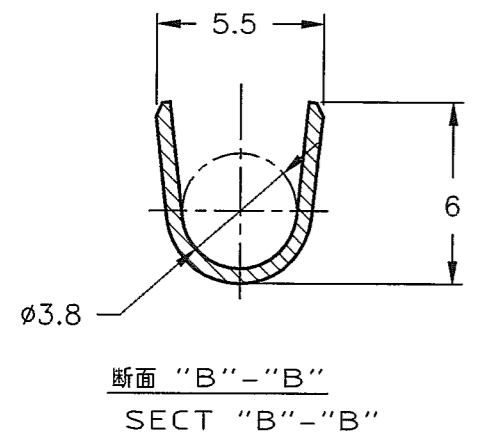
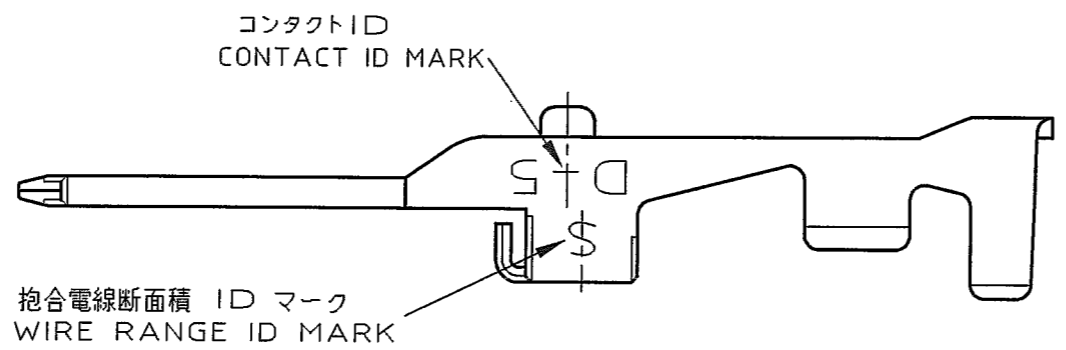
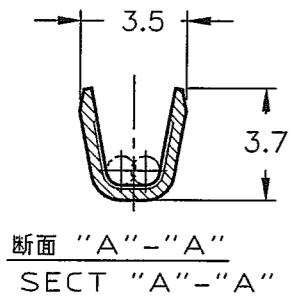


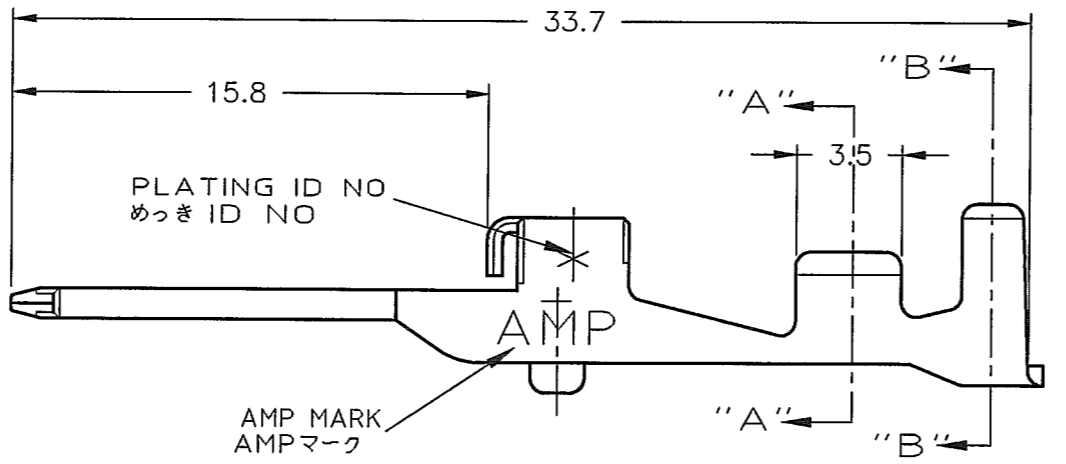
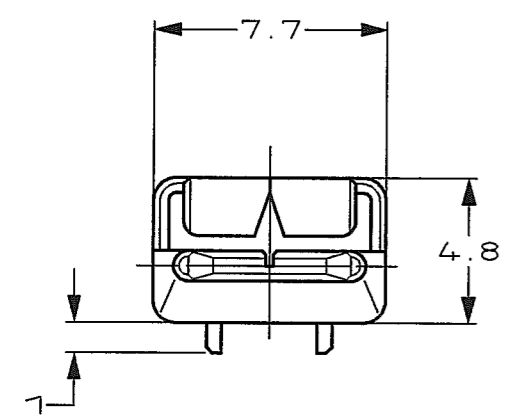
THIS DRAWING IS UNPUBLISHED. RELEASED FOR PUBLICATION 1997
 © COPYRIGHT 1995 BY AMP INCORPORATED. ALL RIGHTS RESERVED.

LOC		DIST		REVISIONS					
				変更					
P	LTR	DESCRIPTION		ECN	DATE	DWN	APVD		
	0	RELEASED		FJ00-0992-97	27/JUN '97	K.I.	I.H.		
	01	REVISED		ECR-05-003013	16 May '95	T.S.	DM		



- 注記
- △1 めっき: コンタクト: 全面Ni下地
接触部: 0.38μm MIN金めっき
 - △2 めっき: コンタクト: 全面Ni下地
接触部: 0.76μm MIN金めっき
 - △3 めっき: コンタクト: 全面Ni下地
全面: 2.54μm MIN銀めっき

- NOTES
- △1. FINISH (CONTACT AREA): 0.38μm MIN GOLD PLATING OVER Ni PLATING
 - △2. FINISH (CONTACT AREA): 0.76μm MIN GOLD PLATING OVER Ni PLATING
 - △3. FINISH (CONTACT AREA): 2.54μm MIN SILVER PLATING OVER Ni PLATING



6	△3	917804-6
3	△2	917804-3
2	△1	917804-2
めっき ID NO PL ID CODE	仕上 FINISH	バラ状 L/P (P/N)型番

WIRE RANGE 抱合電線断面積	1.23/2.27sq AWG #16/#14	INSULATION DIA 被覆外径	3/3.8 mm φ
-----------------------	----------------------------	------------------------	------------

THIS DRAWING IS A CONTROLLED DOCUMENT FOR AMP INCORPORATED. IT IS SUBJECT TO CHANGE AND THE CONTROLLING ENGINEERING ORGANIZATION SHOULD BE CONTACTED FOR THE LATEST REVISION.		DWN 26/JUN/'97 K.IKEDA		Tyco Electronics AMP K.K. Kawasaki, Japan	
DIMENSIONS: 単位 寸 mm		CHK 27/JUN/'97 N.MATSUBARA		NAME TAB CONTACT "S" SIZE タブコンタクト "S" サイズ <DYNAMIC D-5000 SERIES>	
TOLERANCES UNLESS OTHERWISE SPECIFIED 一般公差 1Q : ±0.3 3Q : >10 : ±0.35 10Q : >30 : ±0.4 ANGLE : ±3'		APVD 27/JUN/'97 I.HASEGAWA	PRODUCT SPEC 製品規格 108-5453		
MATERIAL 材料 銅合金 (COPPER ALLOY)		FINISH 仕上 SEE TABLE 表参照	APPLICATION SPEC 取付適用規格 114-5206		
		WEIGHT 1.7g	SIZE A3	CAGE CODE 00779	DRAWING NO 番号 917804
		CUSTOMER DRAWING	SCALE 尺度 4-1		
			SHEET 1 OF 1		
			REV 01		