

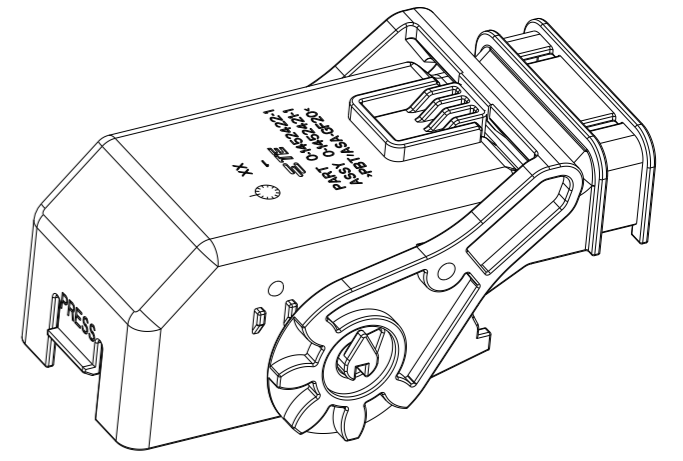
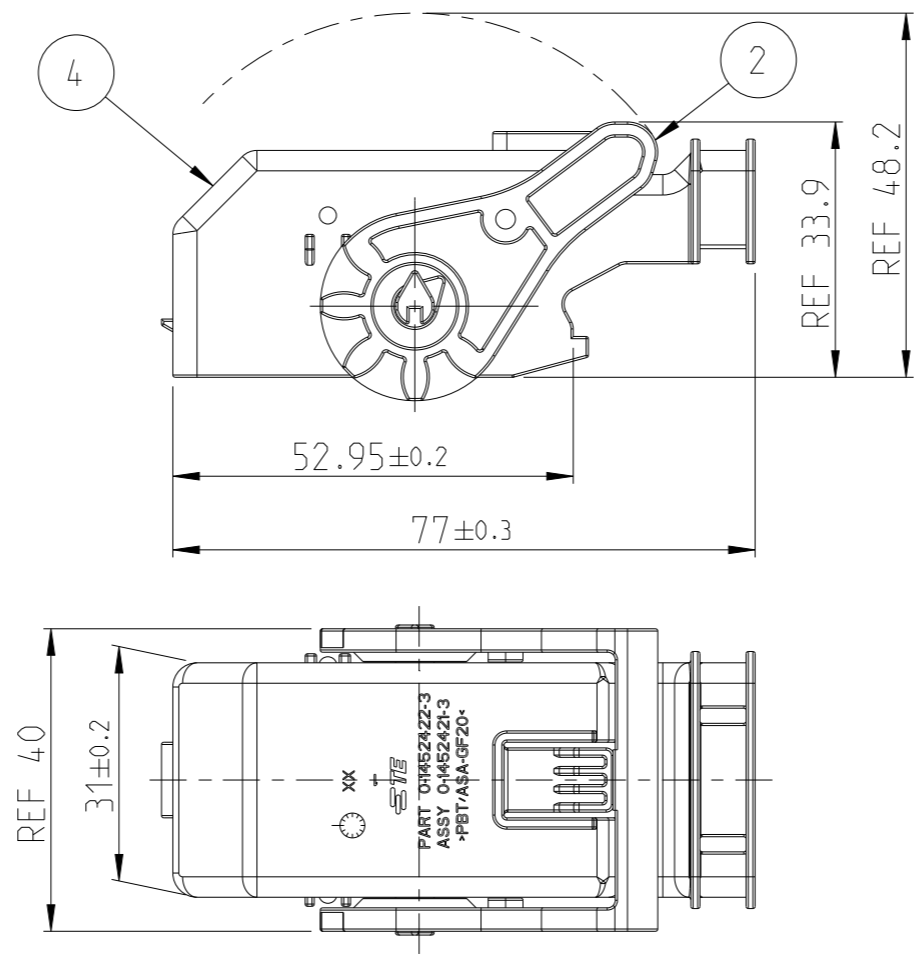
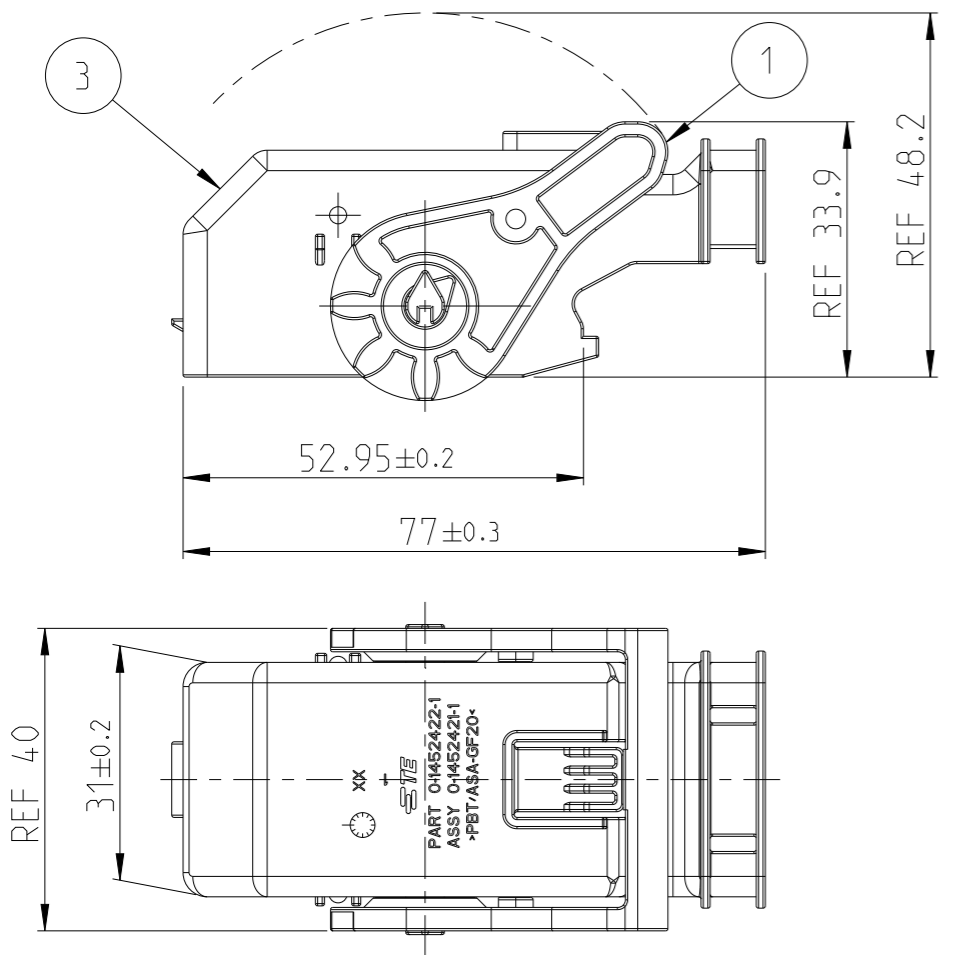
THIS DRAWING IS UNPUBLISHED. RELEASED FOR PUBLICATION 2002  
 © COPYRIGHT 2002 BY TYCO ELECTRONICS CORPORATION. ALL RIGHTS RESERVED.

LOC AI DIST -

REVISIONS					
P	LTR	DESCRIPTION	DATE	DWN	APVD
E		ECR-06-008012	03APR2006	GP	GM
E1		ECR-09-008099	09APR2009	HKE	ASC
E2		ECR-10-016065	20JUL2010	GP	GM
F		ECR-22-135778	17APR2022	VKS	PT

### 0-1452421-1

### 0-1452421-3



NOTES:  
 Bemerkungen:  
 1 ASSY DELIVERED WITH LEVER IN ENDOCKED POSITION  
 Anlieferungszustand: Lever in Endraststellung

MATED WITH verwendet mit	1563172 1452415	1563172 1452415				
	1x		PBT/ASA-GF20	58 POS. CON. COVER	BLACK	4
		1x	PBT/ASA-GF20	58 POS. CON. COVER	BLACK	3
	1x		PBT-GF20	96 POS. LEVER	GREY	2
		1x	PBT-GF20	96 POS. LEVER	RED	1
	0-1452421-3	0-1452421-1	MATERIAL	DESCRIPTION	COLOUR	ITEM NO
	18.3	18.3	WEIGHT OF EACH ASSY. NO [g]			
	QTY REQD PER ASSY		PARTS LIST			

<small>THIS DRAWING IS A CONTROLLED DOCUMENT FOR TYCO ELECTRONICS CORPORATION          IT IS SUBJECT TO CHANGE AND THE CONTROLLING ENGINEERING ORGANIZATION          SHOULD BE CONTACTED FOR THE LATEST REVISION.</small>		DWN S. DENTER 27MAY2002 CHK G. PUCKEL 27MAY2002 APVD G. MUMPER 27MAY2002 PRODUCT SPEC - APPLICATION SPEC 114-18534-1 WEIGHT -	Tyco Electronics AMP GmbH D - 64625 Bensheim
DIMENSIONS: mm 	TOLERANCES UNLESS OTHERWISE SPECIFIED: 0 PLC ± 1 PLC ± 2 PLC ± 3 PLC ± 4 PLC ± ANGLES ±2 MATERIAL - FINISH -	NAME 58 POS. CONNECTOR COVER 90 ASSY FOR 154 POS. CONNECTOR SIZE A3 CAGE CODE 00779 DRAWING NO C-1452421 RESTRICTED TO	
CUSTOMER DRAWING		SCALE 1:1	SHEET 1 OF 1 REV F