

SPECIFICATIONS:

MATERIALS:

HOUSING:	PBT, UL94 V-0, BLACK
CONTACTS:	GOLD PLATED BRASS
NUT:	SEE P/N KEY BELOW
GROUND:	BRIGHT TIN PLATED BRASS
ORING:	NBR

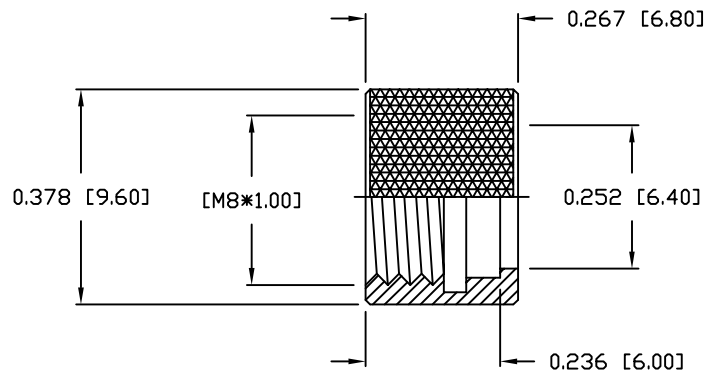
ELECTRICAL:

RATED CURRENT:	3A
RATED VOLTAGE:	60V
INSULATION RESISTANCE:	100 MOhms MIN.
CONTACT RESISTANCE:	10 mOhms MAX.

ENVIRONMENT:

OPERATING TEMPERATURE:	-40°C TO +85°C
WATER PROOF:	IP67

WIRE AWG: 24 AWG

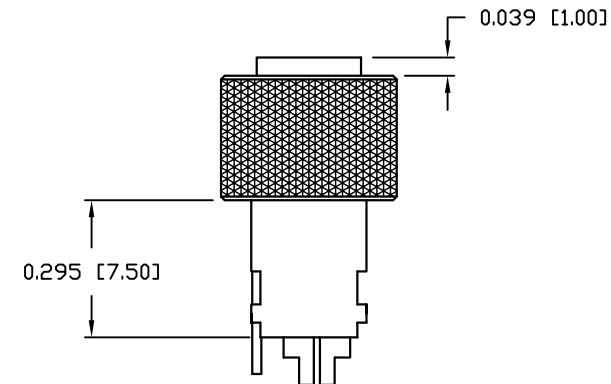
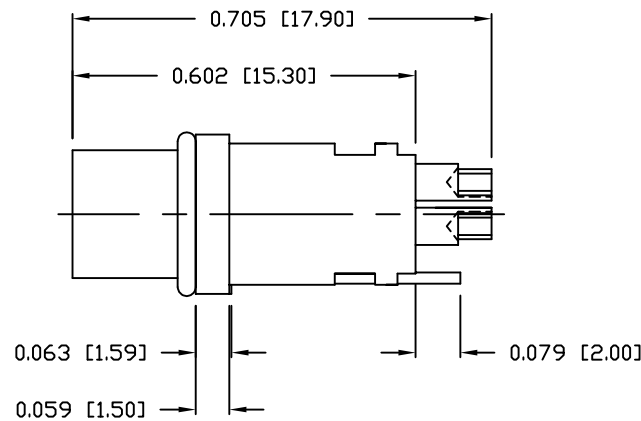
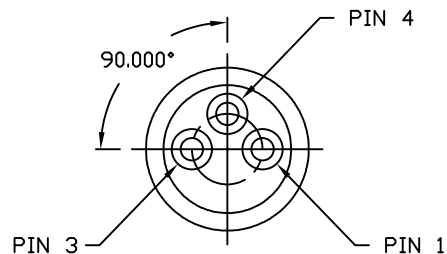


NUT

854-003-20YRLSY

3 = NICKEL PLATED BRASS NUT
T = STAINLESS STEEL NUT

1 = GOLD FLASH
4 = 10µ" GOLD PLATING



RoHS COMPLIANT

UNITS = inch [mm]

DO NOT SCALE FROM DRAWING



THESE DRAWINGS AND SPECIFICATIONS ARE THE PROPERTY OF NorComp AND SHALL NOT BE REPRODUCED, COPIED OR USED AS THE BASIS FOR THE MANUFACTURE OR SALE OF APPARATUS WITHOUT WRITTEN PERMISSION.

DRAWN:
M. SIGMON

DATE:
03/04/2016

NorComp

SCALE:
NTS

SHEET 1 OF 1

REV 7

DWG NO.

854-003-20YRLSY