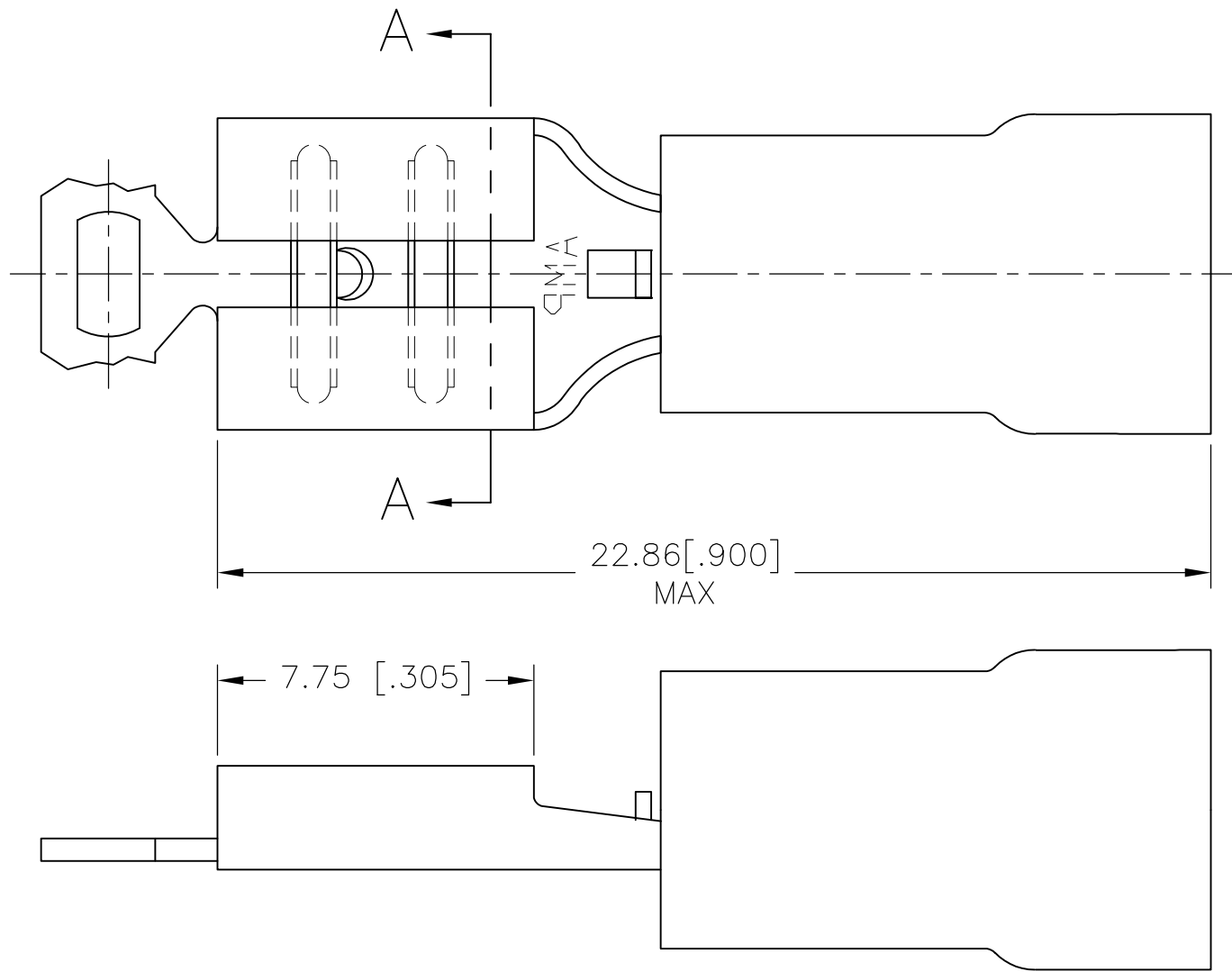


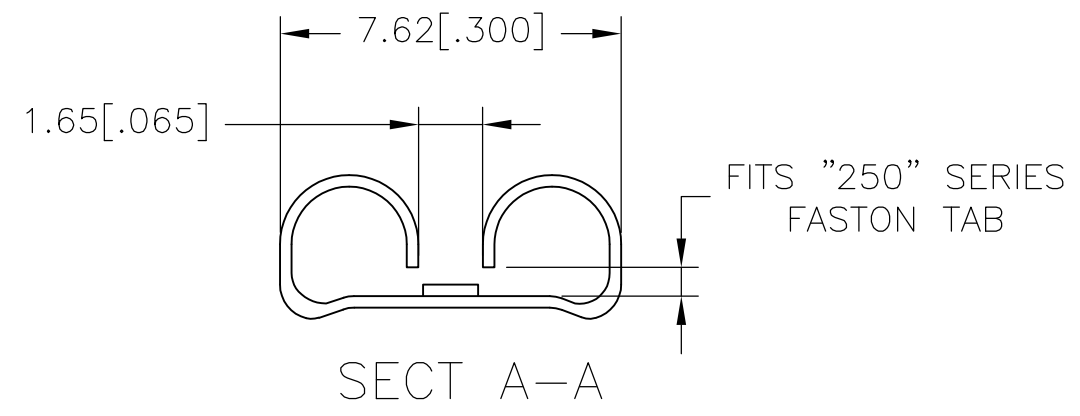
THIS DRAWING IS UNPUBLISHED. RELEASED FOR PUBLICATION
 © COPYRIGHT - By - ALL RIGHTS RESERVED.

| REVISIONS | | | | | |
|-----------|-----|---------------------------|-----------|-----|------|
| P | LTR | DESCRIPTION | DATE | DWN | APVD |
| | CE | REV PER 0G3A-0319-03 | 27MAY03 | JR | TM |
| | CE1 | REVISED PER ECR-17-001564 | 23FEB2017 | RS | DR |



| | | |
|-----------------------|--------------------|--------------------|
| AMP WIRE RANGE | FILE E66717 | LR7189 Certified |
| 22-18 AWG STRANDED | 22-18 AWG STRANDED | 22-18 AWG STRANDED |

- 1 INSULATION DIA .140 MAX.
- 2 FITS TAB .032 THK.
- 3 MATERIAL: BODY, BRASS PER ASTM B36, 0.46±0.05 [.018±.002]
SLEEVE: COPPER PER ASTM B152
INSULATION: NYLON PER ASTM D4066.
- 4 FINISH: BODY & SLEEVE TIN PLATE 0.00254 [.000100] MIN EXT THK. PER ASTM B545.



| | | |
|------|--------------|----------|
| 3500 | REEL | 640902-1 |
| QTY | PACKAGE TYPE | PART NO |

| | | | | | | |
|--|--|---|--|---|---|------------------------|
| AMP INCORPORATED CUSTOMER SERVICE SYSTEMS | | MAX RECOMMENDED OPERATING TEMPERATURE: 105°C [221°F] | THIS DRAWING IS A CONTROLLED DOCUMENT. | | DWN L OLMEDA 26JUN95 | TE Connectivity |
| FOR ADDITIONAL PRODUCT INFORMATION OR COPIES OF DRAWINGS AND TECHNICAL DOCUMENTS | PRODUCT INFORMATION CENTER 1-800-522-6752 | VOLTAGE RATING: 300V MAX | DIMENSIONS: mm [INCHES] | TOLERANCES UNLESS OTHERWISE SPECIFIED: | CHK M ELLIS 26JUN95 | |
| FOR APPLICATION TOOLING INFORMATION | TOOLING ASSISTANCE CENTER 1-800-722-1111 | CIRCULAR MIL AREA: 0.26-0.96mm ² [509-1,900] STRANDED | | 0 PLC ± - 1 PLC ± - 2 PLC ± .38 [.02] 3 PLC ± .127 [.005] 4 PLC ± - ANGLES ± - | APVD B BARE 26JUN95 | |
| FOR ORDER ENTRY | 1-800-526-5142 | THIS DRAWING IS A CONTROLLED DOCUMENT FOR AMP INCORPORATED. IT IS SUBJECT TO CHANGE AND THE CONTROLLING ENGINEERING ORGANIZATION SHOULD BE CONTACTED FOR THE LATEST REVISION. | MATERIAL 3 | FINISH 4 | NAME RECEPTACLE, 250 SERIES, FASTON, PIDG, 22-18 | |
| | | | | | PRODUCT SPEC UL 310 | SIZE A3 |
| | | | | | APPLICATION SPEC 114-1002 | CAGE CODE 00779 |
| | | | | | WEIGHT - | DRAWING NO C-640902 |
| | | | | | RESTRICTED TO - | |
| | | | | | SCALE 6:1 | |
| | | | | | SHEET 1 OF 1 | |
| | | | | | REV CE1 | |