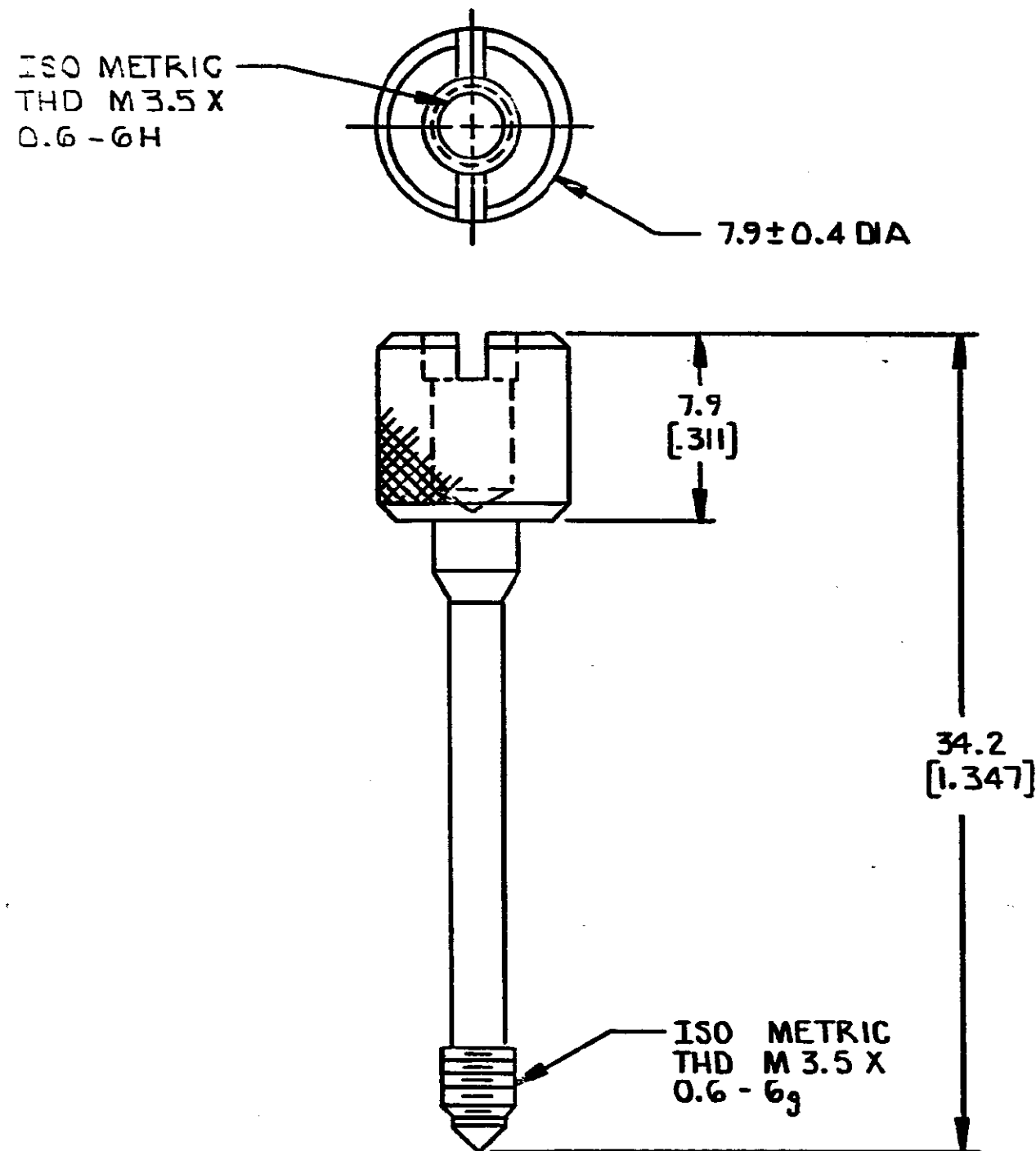


THIS DRAWING IS UNPUBLISHED. RELEASED FOR PUBLICATION . 19 .

© COPYRIGHT 19 BY AMP INCORPORATED, HARRISBURG, PA. ALL INTERNATIONAL RIGHTS RESERVED. AMP PRODUCTS MAY BE COVERED BY U.S. AND FOREIGN PATENTS AND/OR PATENTS PENDING.

		REVISIONS				
P	F	ZONE	LTR	DESCRIPTION	DATE	APPROVED
0	✓		C	REV; ECN AA-3115	6-25-86	SD



1. DIMENSIONS IN BRACKETS [ ] ARE IN INCHES.
2. MATERIAL: BLACK OXIDE COATED CARBON STEEL.
3. ALL DIMENSIONS SHOWN ARE FOR REFERENCE ONLY UNLESS OTHERWISE SPECIFIED.
4. PARTS COATED WITH AMP APPROVED CORROSION PREVENTATIVE.

**METRIC**

553489-1 AS SHOWN

		PART NO	
UNLESS OTHERWISE SPECIFIED DIMENSIONS ARE IN MILLIMETERS TOLERANCES ON: DECIMALS ± # ANGLES ± #		CONTRACT NO DR Stephen Doss 7-16-81	
MATERIAL		AMP INCORPORATED Harrisburg, Pa.	
FINISH		NAME JACKSCREW, BACK/BACK, METRIC	
OTHER APPD		SIZE B	FSCM NO 00779
		DRAWING NO 553489	
		SCALE NONE	SHEET 1 OF 1