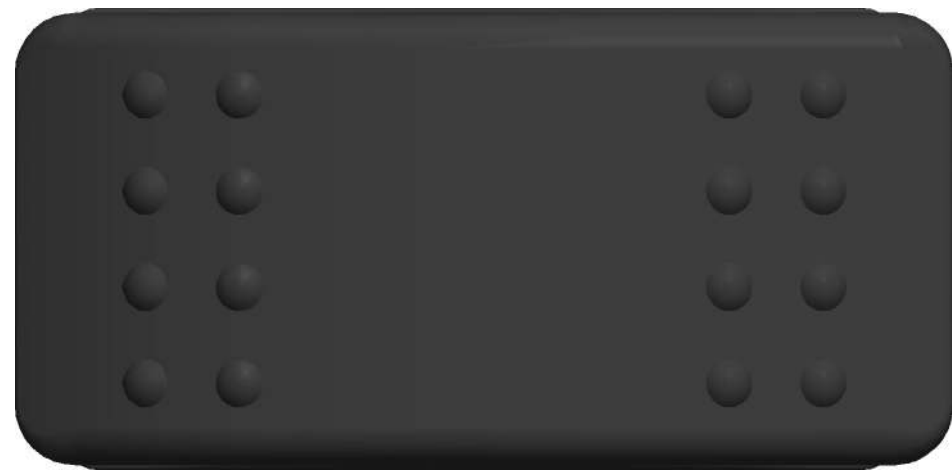
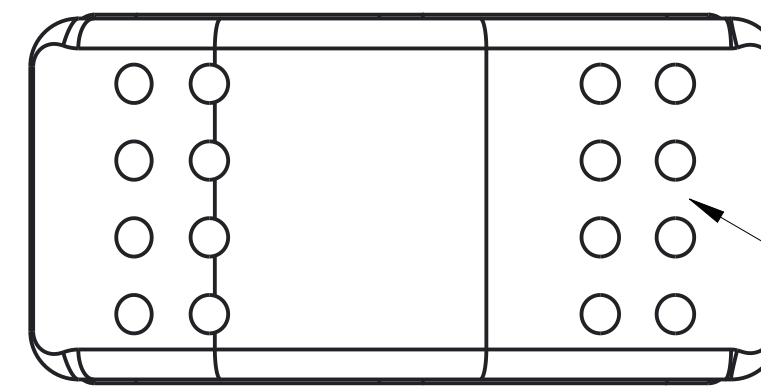


DRAWING FILE NO. VE12S00B-AZC00-000		REV 03-31-22
REVISIONS		
DATE	DESCRIPTION	
03-31-22	DRAWING CREATED	



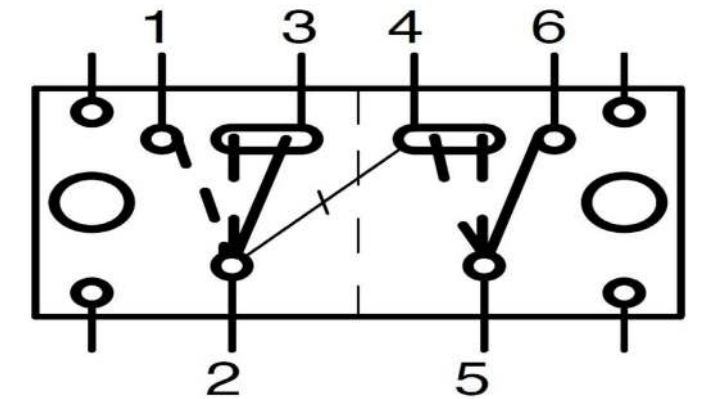
LEGEND MODEL

TOP END OF SWITCH

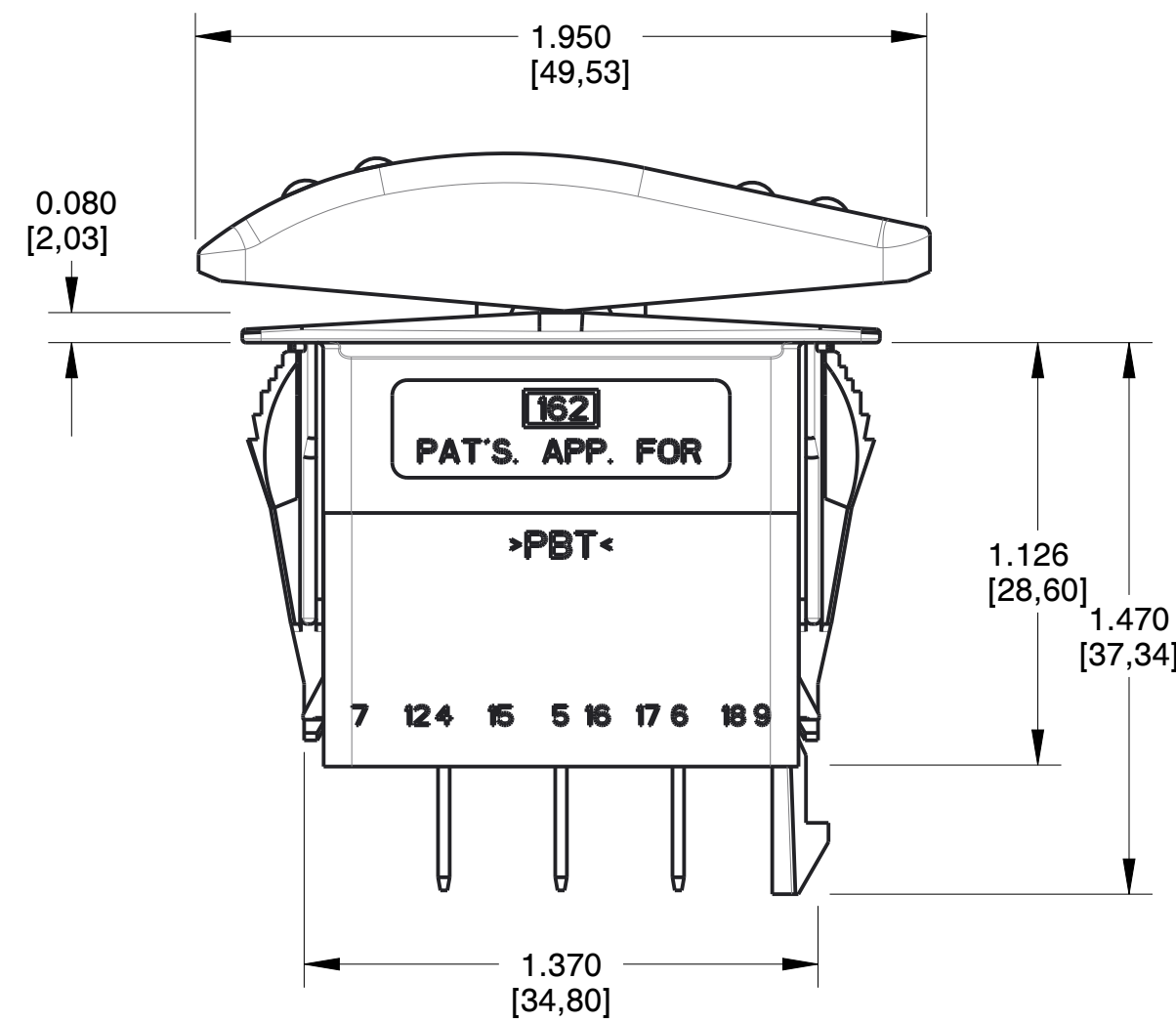
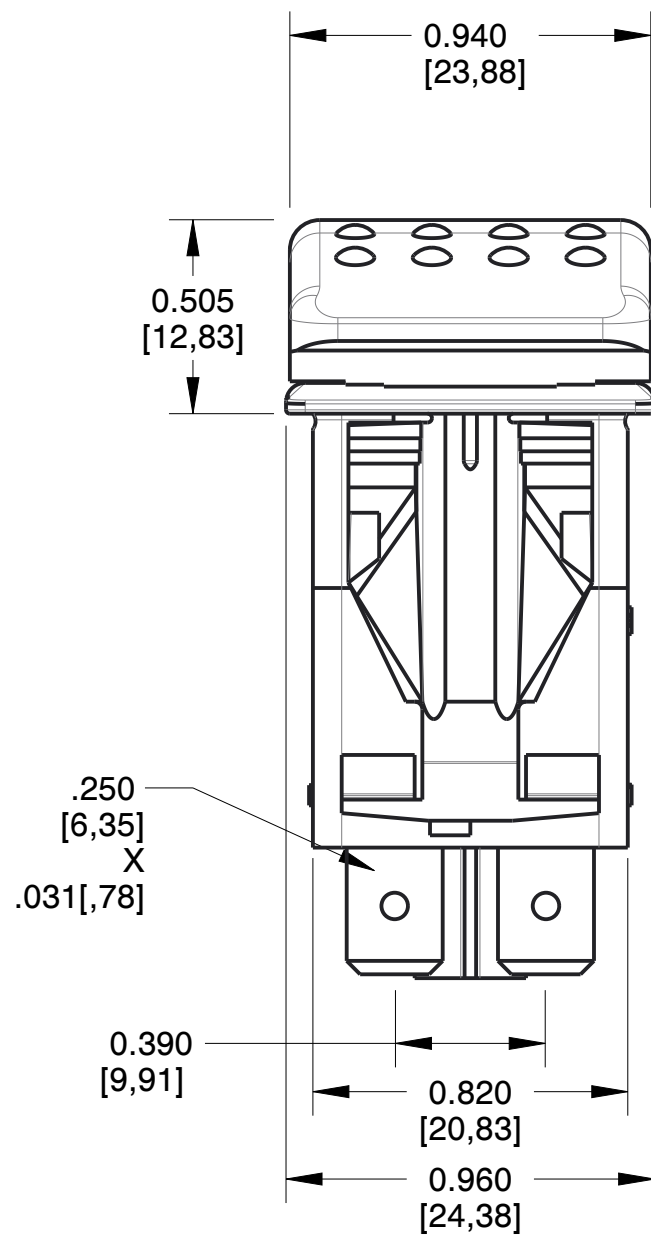


POS 1 POS 2 POS 3

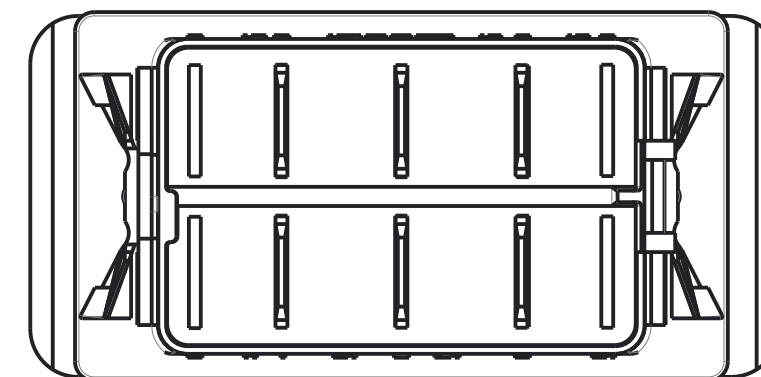
HARD SURFACE *



CIRCUIT DIAGRAM



LAMP CIRCUIT DIAGRAM



Carling Technologies
Innovative Designs. Powerful Solutions.
60 JOHNSON AVE
PLAINVILLE, CT 06062, USA
PHONE: (860) 793-9281
SALES: SALES@CARLINGTECH.COM
APPLICATION SUPPORT: TEAM2@CARLINGTECH.COM

V-SERIES
SEALED ROCKER SWITCH

DO NOT SCALE DRAWING
UNLESS OTHERWISE SPECIFIED

DIMENSIONS: IN [MM]
TOLERANCES: ± .020 [0.51]

DRAWING FILE NO. VE12S00B-AZC00-000	SIZE C
PRODUCT SERIES: V-Ser. Switch	SHEET 1 OF 1

PROPRIETARY NOTICE
NOTICE TO ALL PERSONS RECEIVING THIS DRAWING: THIS DOCUMENT IS THE PROPERTY OF CARLING TECHNOLOGIES, INC. AND IS NOT TO BE DISCLOSED, REPRODUCED IN WHOLE OR IN PART OR USED FOR MANUFACTURING PURPOSES BY ANYONE WITHOUT THE CONSENT OF CARLING TECHNOLOGIES, INC.

DISCLAIMER

MANUFACTURER RESERVES THE RIGHT TO CHANGE PRODUCT SPECIFICATIONS WITHOUT PRIOR NOTICE.

*Hard Surface:

Basic actuator structure molded of thermoplastic polycarbonate with a hard Nylon 66 thermoplastic surface overlay.