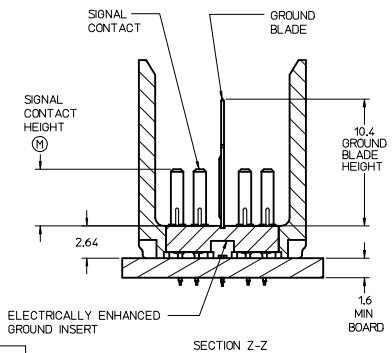
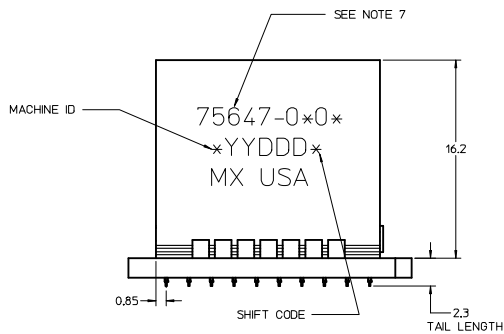
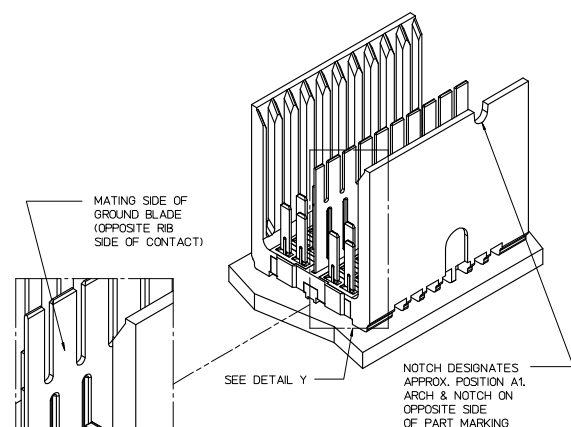
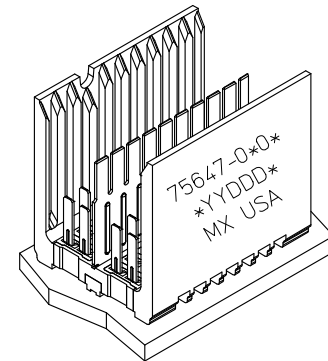


- ⌀ 0.46±0.05 PLATED THRU HOLE (90°57 DRILL) (⌀0.88 PAD)
- 2.10 ROW AG
- 0.00 ROW A
- 1.35 ROW B
- 3.45 ROW C
- 5.55 ROW D
- 6.90 ROW E
- 9.00 ROW EG



PART NUMBER TABLE				
ASSY PART NO.	K	L	P	TOTAL NO. OF DIFFERENTIAL PAIRS
75647-050*	4	7.40	9.10	10
75647-010*	9	16.65	18.35	20
75647-020*	24	44.40	46.10	50



THE PRIMARY CARTON WITH A LABEL STATING "ELV AND RoHS COMPLAINT" IS LEAD FREE. CARTONS WITHOUT THIS LABEL MAY CONTAIN LEAD.

- NOTES:**
- MATERIAL: HOUSING - LIQUID CRYSTAL POLYMER (LCP) GLASS-FILLED. UL 94V-0, COLOR - GRAY. ELECTRICALLY ENHANCED GROUND INSERT: CONDUCTIVE RESIN - COLOR - RED. SIGNAL CONTACT AND GROUND BLADE - HIGH PERFORMANCE COPPER ALLOY.
 - FINISHES: SELECTIVE GOLD (Au) ON CONTACT AREA. SELECTIVE MATTE TIN (Sn) ON PCB TAILS. NICKEL (Ni) OVERALL.
 - THIS PART CONFORMS TO MOLEX PRODUCT SPECIFICATION PS-75221-999.
 - FOR MIXED CONTACT MATING LENGTHS CONSULT MOLEX FOR AVAILABILITY. CONTACT PAIRS MUST BE THE SAME LENGTH.
 - FOR SPECIFIC PART NUMBER AND MATING INFORMATION PLEASE REFER TO CHART.
 - PACKAGE PER PK-70873-5058.
 - MARK PART NUMBER AND DATE CODE APPROXIMATELY WHERE SHOWN.
 - THIS PART CONFORMS TO MOLEX COSMETIC SPECIFICATION PS-45499-002 CLASS B.
 - MAPS (MOLEX ADVANCED PLATING SYSTEM).

COLUMN	PIN LENGTH DIM 'M'	GOLD (Au) THICKNESS micrometers
01 = 10 COL	0-3.55 mm	0.25 (MAPS)
02 = 25 COL	1-4.55 mm	
05 = 5 COL	2-5.55 mm	0.76
	3-3.55 mm	
	4-4.55 mm	
KEYING ORIENTATION OPEN = 0 (NONE)	5-5.55 mm	1.27
	7-3.55 mm	
	8-4.55 mm	
	9-5.55 mm	

LEAD-FREE PLATING

REV TO LEAD-FREE IEC NO: UCP2013-0690 DRAWINGS 2012/09/05 CHYKOWITZ 2012/09/07 APPROVALS MILLER 2012/12/05	QUALITY SYMBOLS ∇=0 ∇=0 ∇=0	GENERAL TOLERANCES (UNLESS SPECIFIED) DIM INCH 4 PLACES ±.005 3 PLACES ±.0025 2 PLACES ±.0015 1 PLACE ±.0010 0 PLACE ±.0005 ANGULAR ±1/2° DRAFT WHERE APPLICABLE MUST REMAIN WITHIN DIMENSIONS	DIMENSION STYLE MM ONLY	SCALE 5:1	DESIGN UNITS METRIC	THIRD ANGLE PROJECTION
	DRAWN BY: JB INGHAM CHECKED BY: KMULVEY APPROVED BY: SMILLER DATE: 2006/01/18 DATE: 2006/01/18 DATE: 2012/12/05		TITLE GBX 2-PAIR BACKPLANE LF ELECTRICALLY ENHANCED OPEN END SALES ASSEMBLY		MATERIAL NO. DOCUMENT NO. SD-75647-010	
	SHEET NO. 1 OF 1		THIS DRAWING CONTAINS INFORMATION THAT IS PROPRIETARY TO MOLEX INCORPORATED AND SHOULD NOT BE USED WITHOUT WRITTEN PERMISSION			