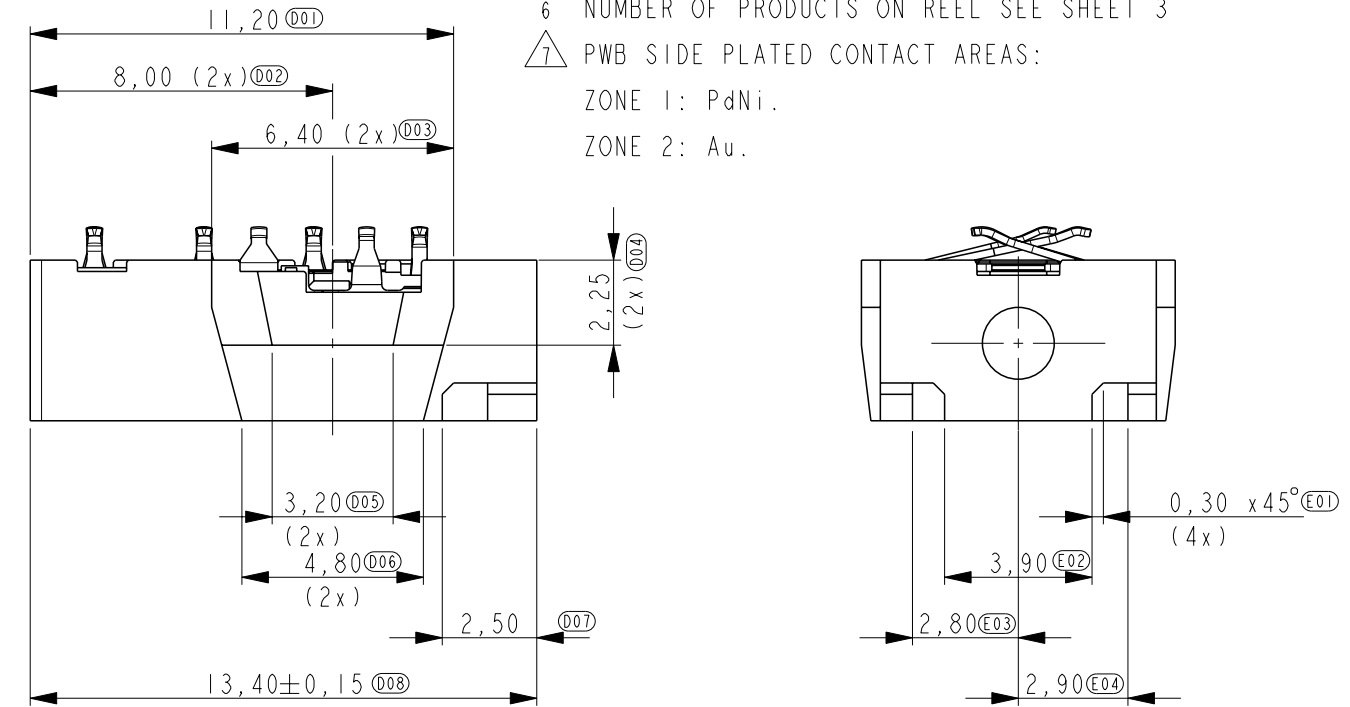
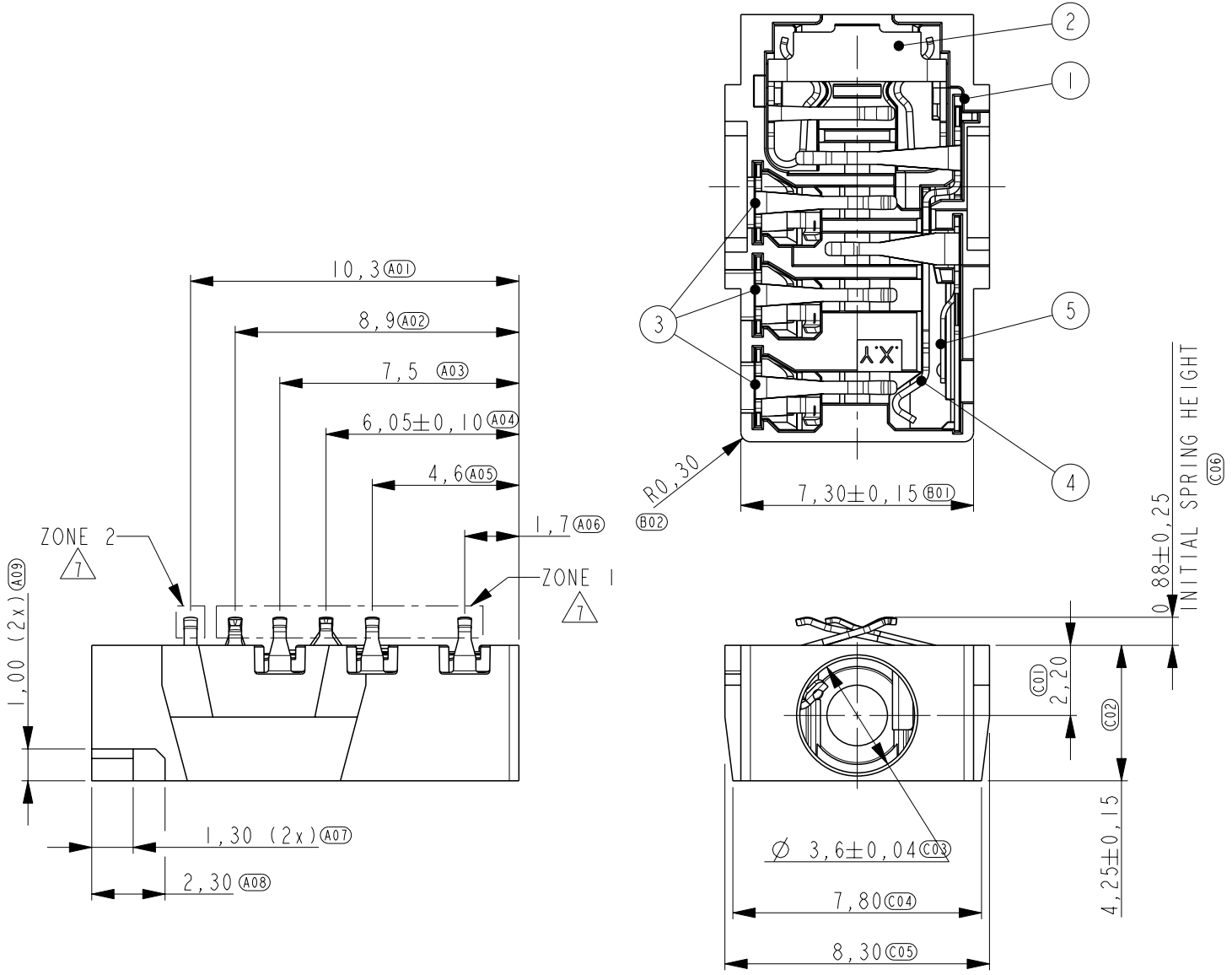
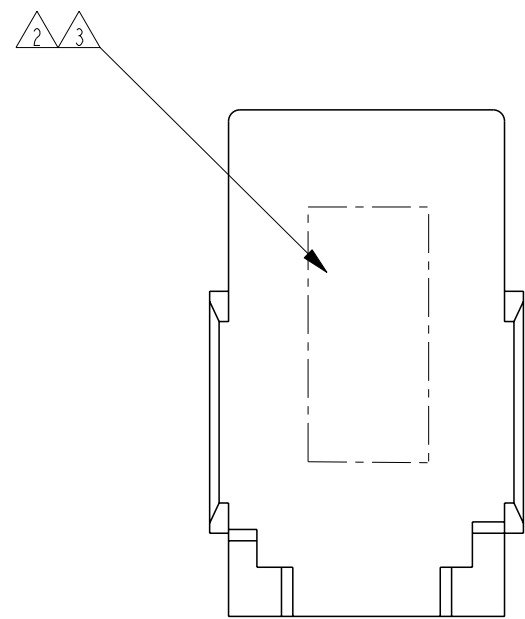
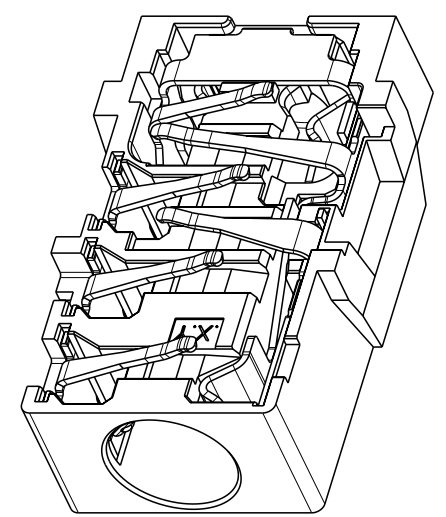


THIS DRAWING IS UNPUBLISHED. RELEASED FOR PUBLICATION
 © COPYRIGHT - BY - ALL RIGHTS RESERVED.

LOC	DIST	REVISIONS					
H	-	P	LTR	DESCRIPTION	DATE	DWN	APVD
		A		ECR-11-003798	24FEB2011	MG	DH
		B		ECR-11-007037	12APR2011	MG	DH
		BI		ECR-11-013439	28JUN2011	JvH	DH
		C		ECR-12-016525	03DEC2012	JvH	DH



NOTES:
 1 PARTNUMBER 1551768-1 AS SHOWN
 2 VERSION CODE V6
 3 DATE CODE YYMMDD, SHIFT CODE M, PRODUCTION LINE ##
 4 RECOMMENDED PWB LAYOUT SEE SHEET 2
 5 PACKAGING IN EIA 481-D SEE SHEET 3
 6 NUMBER OF PRODUCTS ON REEL SEE SHEET 3
 7 PWB SIDE PLATED CONTACT AREAS:
 ZONE 1: PdNi.
 ZONE 2: Au.



ITEM NO.	DESCRIPTION	MATERIAL	FINISH
5	SWITCH CONTACT	Cu Alloy	Under layer 1.3 µm Ni , 0.2 µm MAX flashgold over 0.4 µm MIN PdNi selectively
4	GROUND CONTACT	Cu Alloy	Under layer 1.3 µm Ni , 0.2 µm MAX flashgold over 0.4 µm MIN PdNi selectively
3	RIGHT/MIC/GND2 CONTACT	Cu Alloy	Under layer 1.3 µm Ni , 0.2 µm MAX flashgold over 0.4 µm MIN PdNi selectively
2	LEFT CONTACT	Cu Alloy	Under layer 1.3 µm Ni , 0.2 µm MAX flashgold over 0.4 µm MIN PdNi selectively
1	HOUSING	PBT, 30% G.F.	Compressive spring side 0,5µm gold only

THIS DRAWING IS A CONTROLLED DOCUMENT.

DIMENSIONS:	TOLERANCES UNLESS OTHERWISE SPECIFIED:
mm	0 PLC ±-
	1 PLC ±0.1
	2 PLC ±0.05
	3 PLC ±0.025
	4 PLC ±0.01
	ANGLES ±2
MATERIAL	FINISH
-	-

DWN	06AUG2010
J. van Hoek	
CHK	06AUG2010
M. Gosselink	
APVD	06AUG2010
D. Halberstadt	
PRODUCT SPEC	108-19402
APPLICATION SPEC	-
WEIGHT	-

TE TE Connectivity

NAME: 3.5mm AV connector, compressive

SIZE	CAGE CODE	DRAWING NO	RESTRICTED TO
A3	00779	C=1551768	-

Customer Drawing SCALE 5 SHEET 1 OF 3 REV C

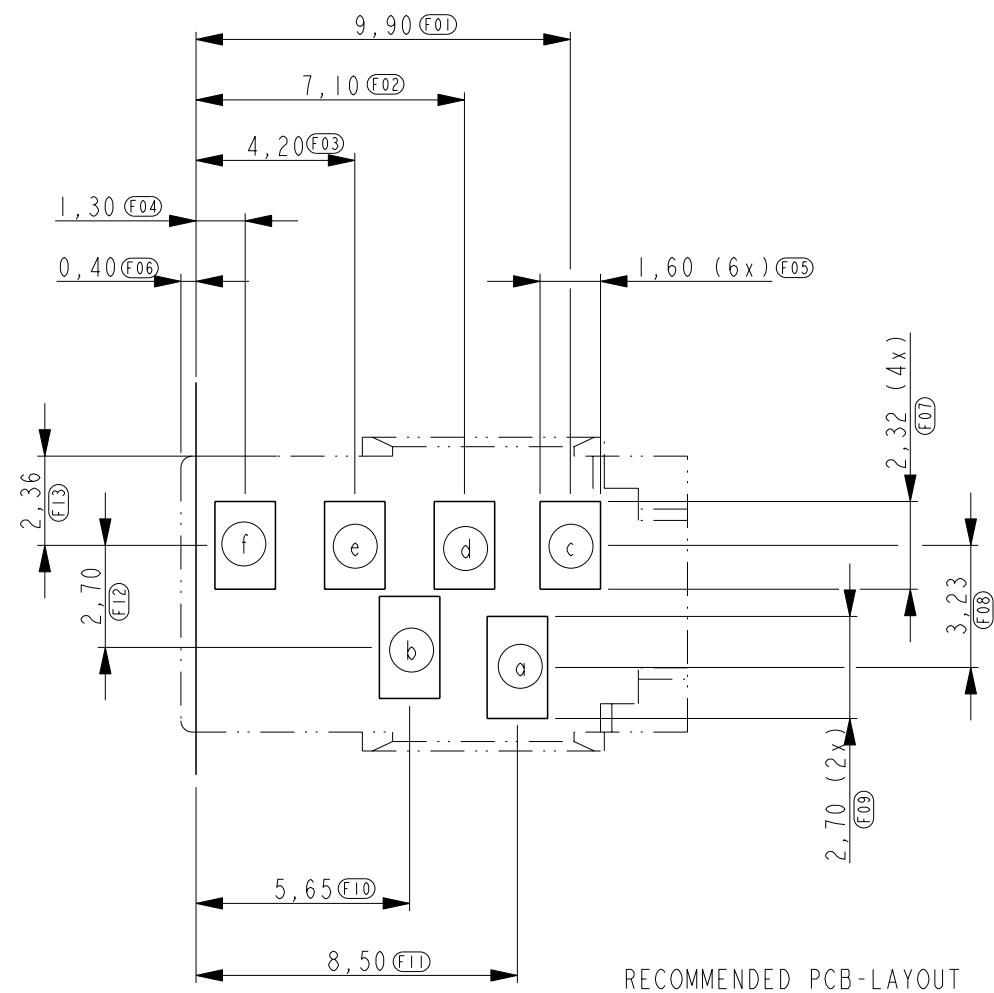
THIS DRAWING IS UNPUBLISHED.

RELEASED FOR PUBLICATION

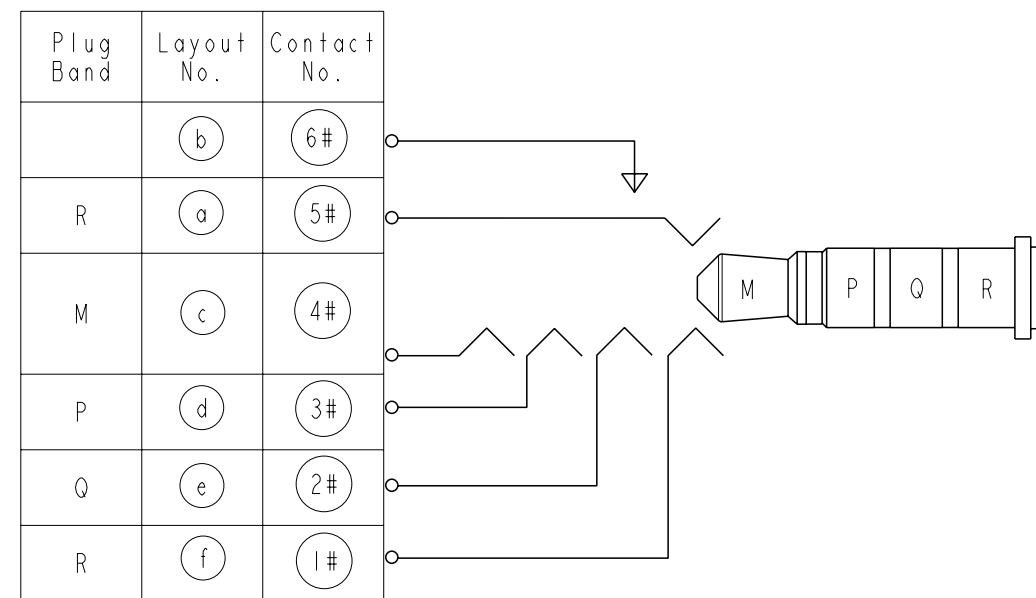
© COPYRIGHT - BY -

ALL RIGHTS RESERVED.

LOC	DIST	REVISIONS					
H	-	P	LTR	DESCRIPTION	DATE	DWN	APVD
		-		SEE SHEET 1	-	-	-



RECOMMENDED PCB-LAYOUT



CIRCUIT DIAGRAM

THIS DRAWING IS A CONTROLLED DOCUMENT.		DWN 06AUG2010 J. van Hoek	TE Connectivity		
DIMENSIONS: mm		CHK 06AUG2010 M. Gosselink			
TOLERANCES UNLESS OTHERWISE SPECIFIED:		APVD 06AUG2010 D. Halberstadt	NAME 3.5mm AV connector, compressive		
0 PLC ±- 1 PLC ±0.1 2 PLC ±0.05 3 PLC ±0.025 4 PLC ±0.01 ANGLES ±2		PRODUCT SPEC 108-19402	RESTRICTED TO		
MATERIAL -		APPLIC. SPEC -	SIZE A3	CAGE CODE 00779	DRAWING NO. C-1551768
FINISH -		WEIGHT -	SCALE 5 SHEET 2 OF 3 REV C		
Customer Drawing					

THIS DRAWING IS UNPUBLISHED.

RELEASED FOR PUBLICATION

© COPYRIGHT - BY -

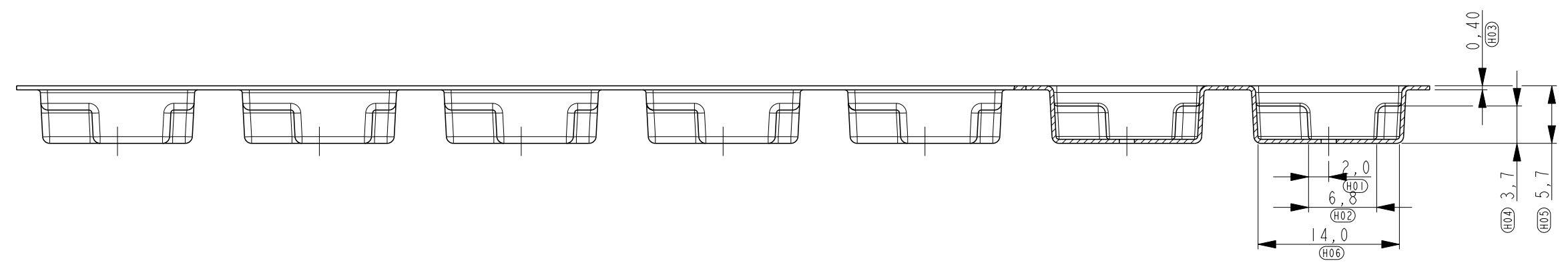
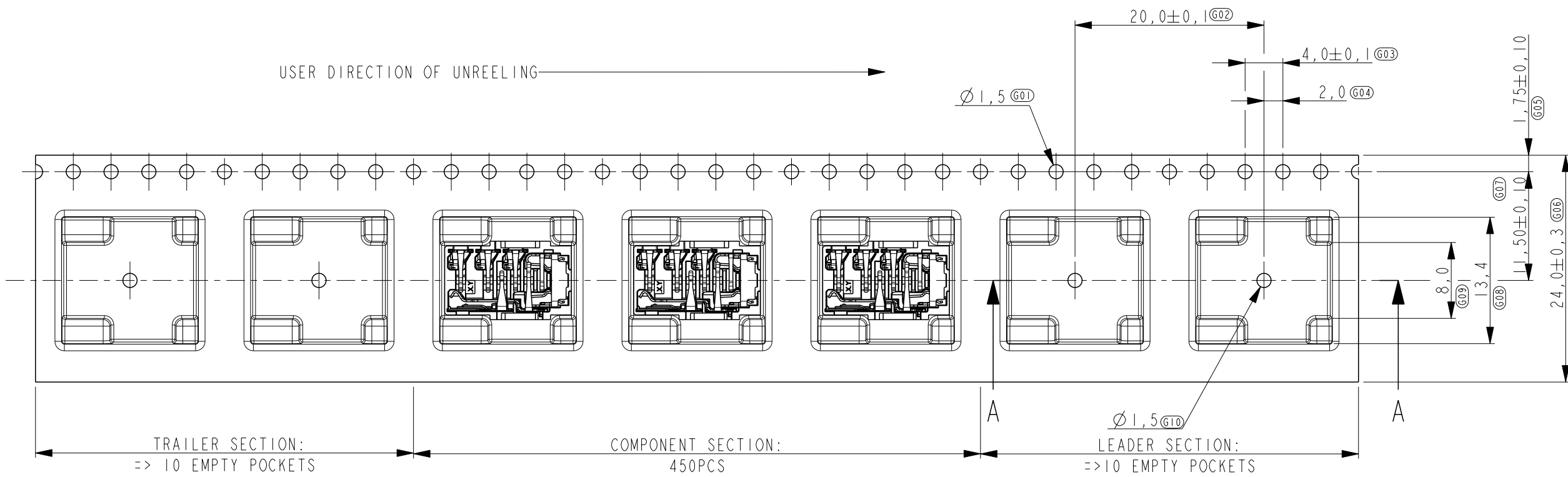
ALL RIGHTS RESERVED.

LOC H DIST -

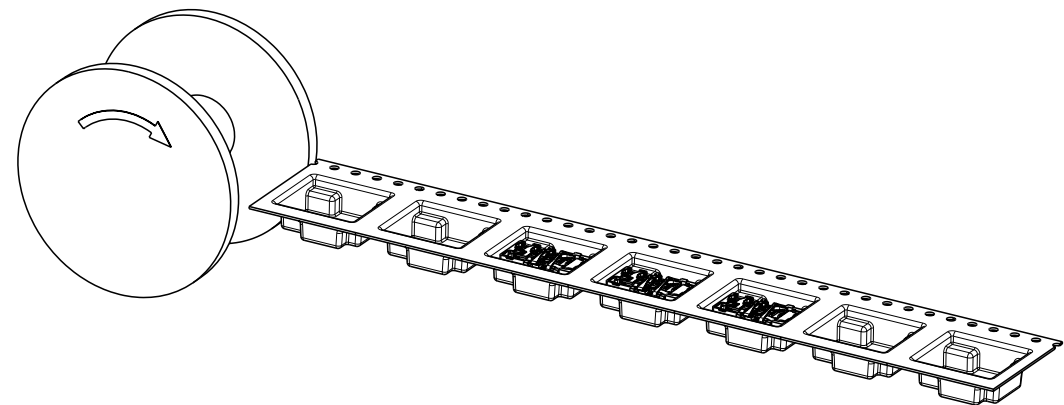
REVISIONS

P	LTR	DESCRIPTION	DATE	DWN	APVD
-	-	SEE SHEET 1	-	-	-

PACKAGING QUANTITY		
PCS/REEL	REEL/BOX	PCS/BOX
450	10	4500



SECTION A-A



THIS DRAWING IS A CONTROLLED DOCUMENT.		DWN 06AUG2010 J. van Hoek			
DIMENSIONS: mm		CHK 06AUG2010 M. Gosselink			
TOLERANCES UNLESS OTHERWISE SPECIFIED:		APVD 06AUG2010 D. Halberstadt			
0 PLC ±- 1 PLC ±0.1 2 PLC ±0.05 3 PLC ±0.025 4 PLC ±0.01 ANGLES ±2		NAME 3.5mm AV connector, compressive			
MATERIAL -		FINISH -		PRODUCT SPEC 108-19402	
		APPLICATION SPEC -		SIZE A3	
		WEIGHT -		CAGE CODE 00779	
		Customer Drawing		DRAWING NO C-1551768	
		SCALE 5		RESTRICTED TO -	
		SHEET 3 OF 3		REV C	