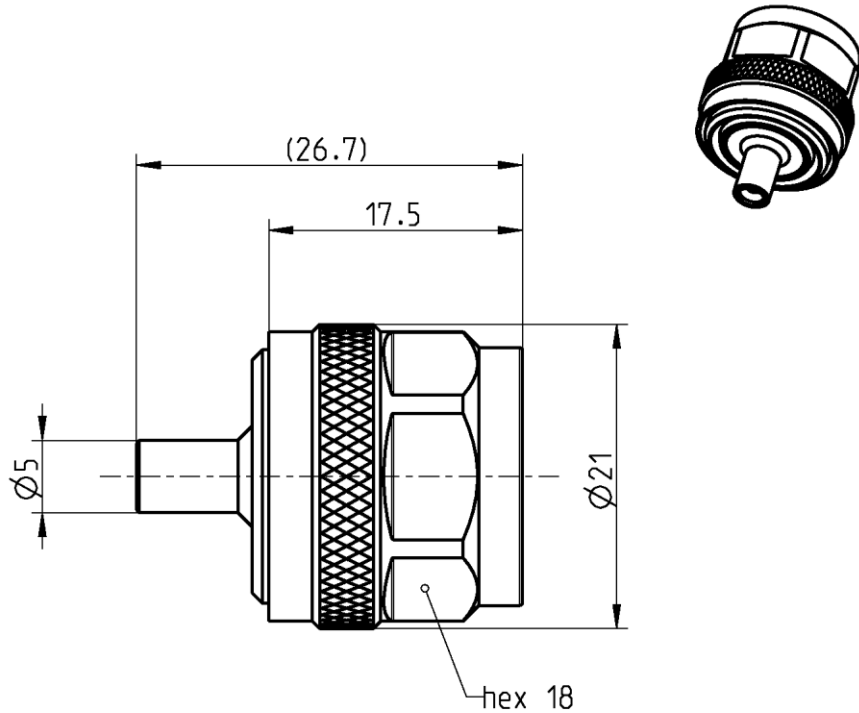


MCX

Adaptor
MCX Jack – N 50 Ω Plug

29K153-S00Z5



All dimensions are in mm; tolerances according to ISO 2768 m-H

Interface

According to	MCX side:	CECC 22220, IEC 61169-36
	N side:	IEC 61169-16, MIL-PRF-39012, CECC 22210

Documents

N/A

Material and plating

Connector parts

Center contact
Outer contact MCX side
Outer contact N side
Dielectric

Material

CuBe
Brass
Brass
PTFE

Plating

AuroDur®, gold plated
AuroDur®, gold plated
Nickel, 2.5-5 µm

Dieses Dokument ist urheberrechtlich geschützt • This document is protected by copyright • Rosenberger Hochfrequenztechnik GmbH & Co. KG

RF_35/09.14/6.2

MCX

Adaptor
MCX Jack – N 50 Ω Plug

29K153-S00Z5

Electrical data

Impedance 50 Ω
 Frequency DC to 6 GHz
 Return loss ≥ 20 dB, DC to 1 GHz
 ≥ 17 dB, 1 to 3 GHz
 Insertion loss ≤ 0.05 x √f(GHz) dB, DC to 3 GHz
 Insulation resistance ≥ 1 GΩ
 Center contact resistance ≤ 5.0 mΩ, MCX side; ≤ 1 mΩ, N side
 Outer contact resistance ≤ 2.5 mΩ, MCX side; ≤ 0.25 mΩ, N side
 Test voltage 750 V rms
 Working voltage 335 V rms
 Contact Current 1.5A DC max.

Mechanical data

	MCX side	N side
Mating cycles	≥ 500	min. 500
Coupling nut retention	N/A	≥ 450 N
Center contact captivation: axial	≥ 28 N	≥ 28 N
Engagement force	≤ 25 N	N/A
Disengagement force	8 N min. to 20 N max.	N/A
Coupling test torque	N/A	max. 1.7 Nm
Recommended torque	N/A	0.7 Nm to 1.1 Nm

Environmental data

Temperature range -55°C to +155°C
 Thermal shock CECC 22 220, Chapter 4.6.7
 Vibration CECC 22 220, Chapter 4.6.3
 Corrosion CECC 22 220, Chapter 4.6.10
 Moisture resistance CECC 22 220, Chapter 4.6.6
 RoHS compliant

Tooling

N/A

Suitable cables

N/A

Weight

Weight 26.5 g/pce

While the information has been carefully compiled to the best of our knowledge, nothing is intended as representation or warranty on our part and no statement herein shall be construed as recommendation to infringe existing patents. In the effort to improve our products, we reserve the right to make changes judged to be necessary.

For the installation of the electrotechnical equipment, particular electrotechnical expertise is required.



Dieses Dokument ist urheberrechtlich geschützt • This document is protected by copyright • Rosenberger Hochfrequenztechnik GmbH & Co. KG

RF_35/09.14/6.2

Draft	Date	Approved	Date	Rev.	Engineering change number	Name	Date
Inge Mühlauer	30.08.04	Chr. Janßen	04.11.20	e00	20-1927	S. Huber-Siegl	04.11.20

Rosenberger Hochfrequenztechnik GmbH & Co. KG P.O.Box 1260 D-84526 Tittmoning Germany www.rosenberger.de				Tel. : +49 8684 18-0 Email : info@rosenberger.de		Page 2 / 2	
--	--	--	--	--	--	---------------	--