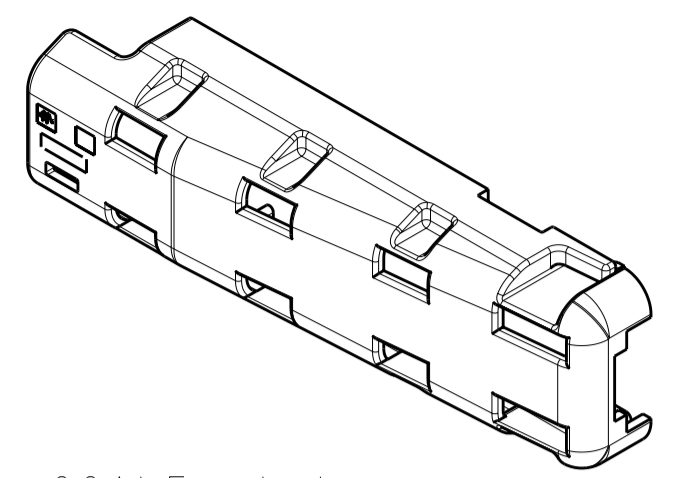


THIS DRAWING IS UNPUBLISHED. RELEASED FOR PUBLICATION 20
 © COPYRIGHT 20 BY TYCO ELECTRONICS CORPORATION. ALL RIGHTS RESERVED.

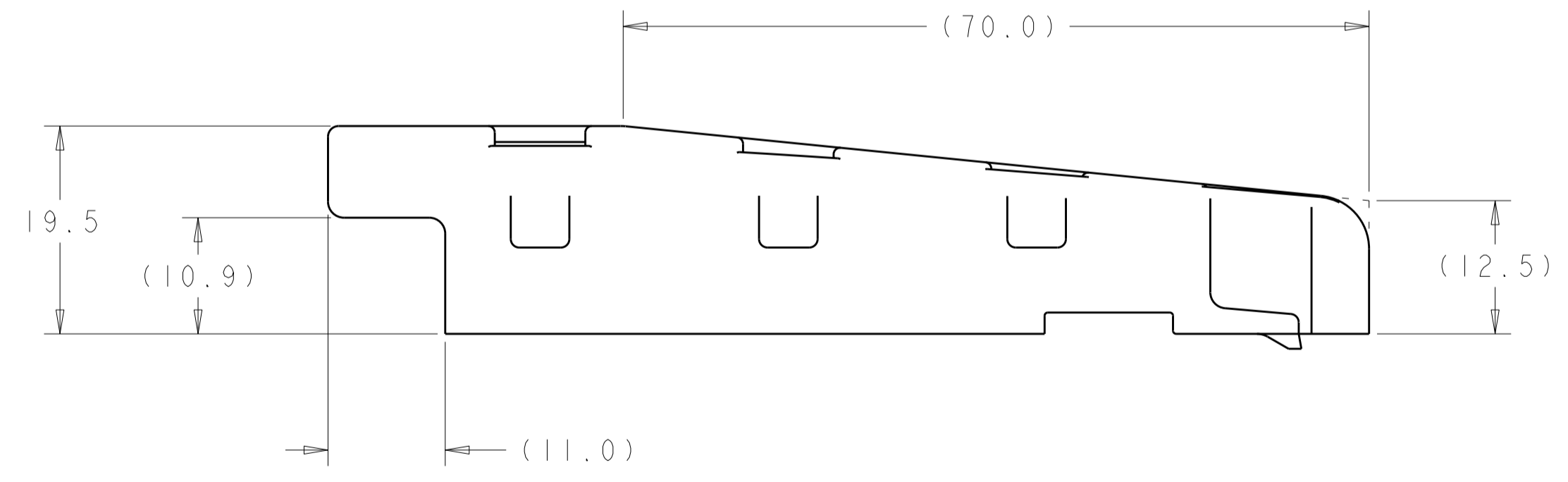
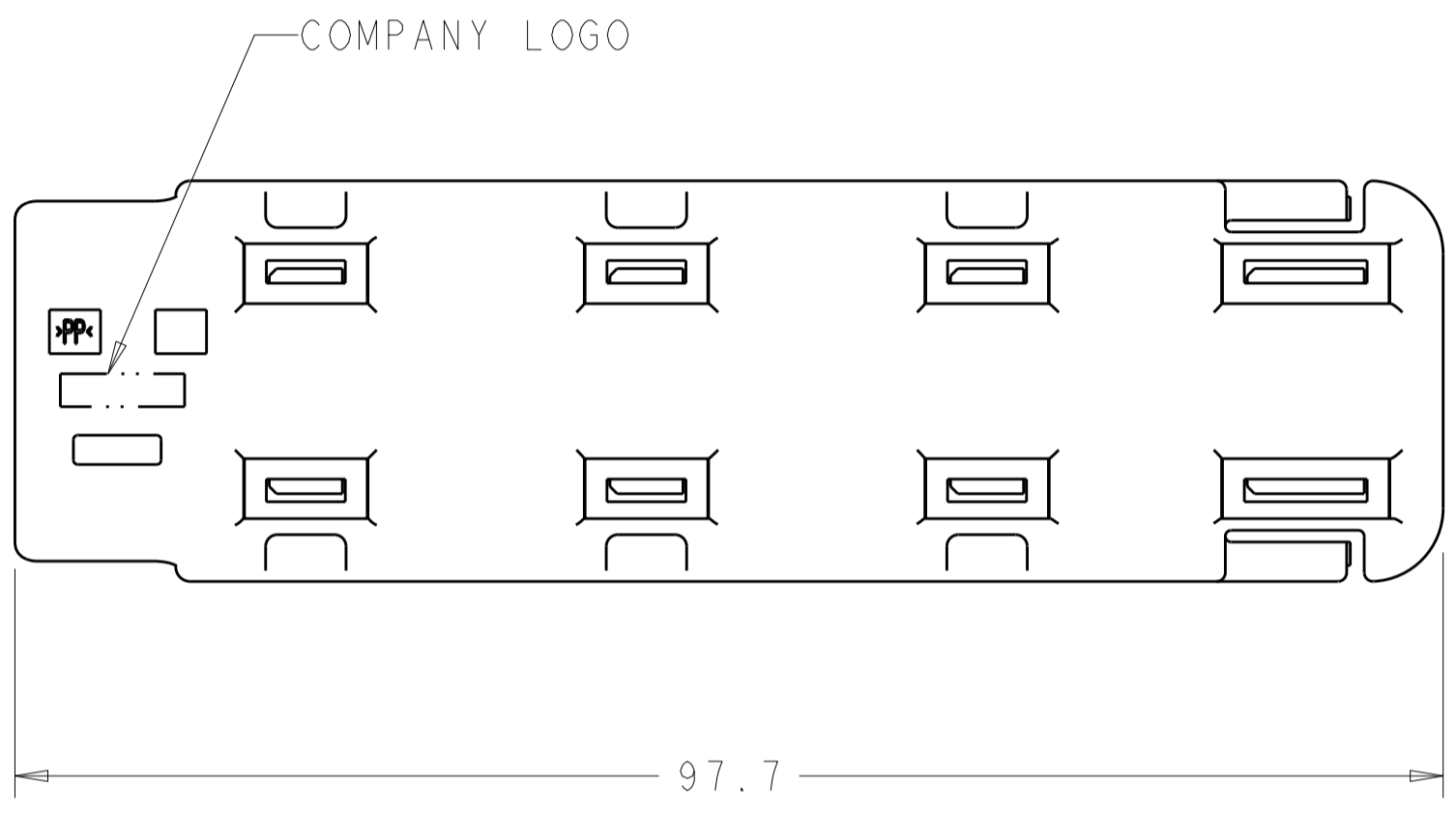
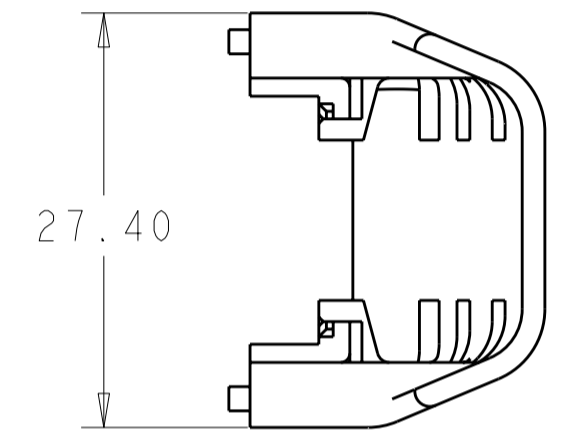
| LOC | DIST | REVISIONS | | | |
|-----|------|---------------------------|-----------|-----|------|
| P | LTR | DESCRIPTION | DATE | DWN | APVD |
| FX | 00 | | | | |
| | C | REVISED PER ECR 05-014247 | 02DEC2005 | DLD | AJV |
| | CI | REV PER ECR-10-009878 | 06MAY2010 | VSS | GM |



SCALE 1:1

△ MATERIAL: POLYPROPYLENE
 COLOR: SEE TABLE

2. MAXIMUM WIRE BUNDLE DIAMETER IS 13mm.



| | |
|---------|-------------|
| BLACK | 638622-2 |
| NATURAL | 638622-1 |
| COLOR | PART NUMBER |

| | | | |
|---|--|---|---|
| <small>THIS DRAWING IS A CONTROLLED DOCUMENT FOR TYCO ELECTRONICS CORPORATION IT IS SUBJECT TO CHANGE AND THE CONTROLLING ENGINEERING ORGANIZATION SHOULD BE CONTACTED FOR THE LATEST REVISION.</small> | | DWN <u>V.M. KANE</u> 28JUN2000 CHK <u>V.M. KANE</u> 20AUG2001 APVD <u>V.M. KANE</u> 20AUG2001 | Tyco Electronics Harrisburg, PA 17105-3608 |
| DIMENSIONS: mm | TOLERANCES UNLESS OTHERWISE SPECIFIED: 0 PLC ± 1 PLC ±0.4 2 PLC ±0.20 3 PLC ± 4 PLC ± ANGLES ± FINISH | PRODUCT SPEC APPLICATION SPEC WEIGHT | NAME WIRE GUARD, 60 WAY AIRBAG, GET CONNECTOR |
| MATERIAL | CUSTOMER DRAWING | SIZE A2 CAGE CODE 00779 DRAWING NO. 638622 | RESTRICTED TO - |
| | | SCALE 2:1 | SHEET 1 OF 1 REV C1 |

638622