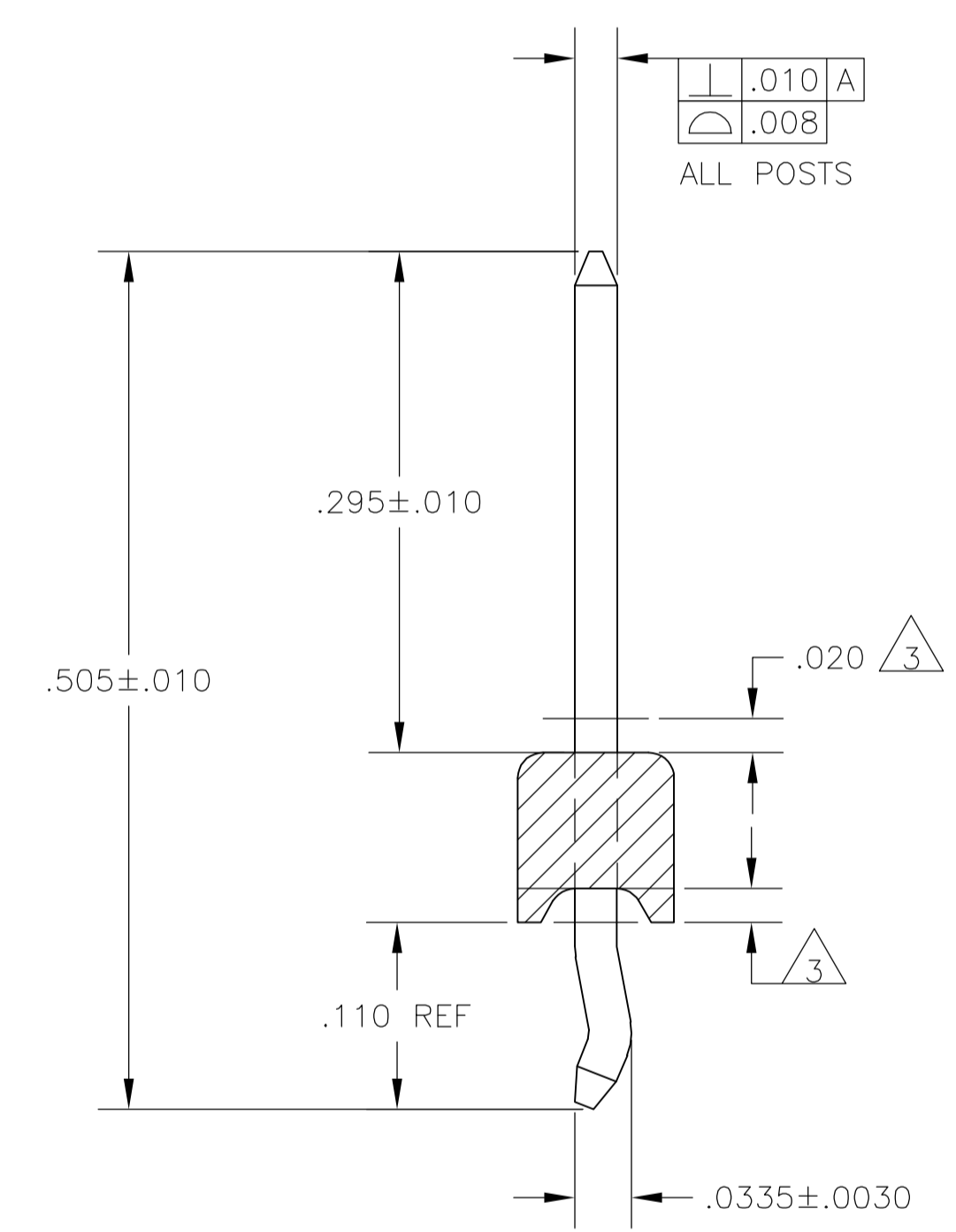
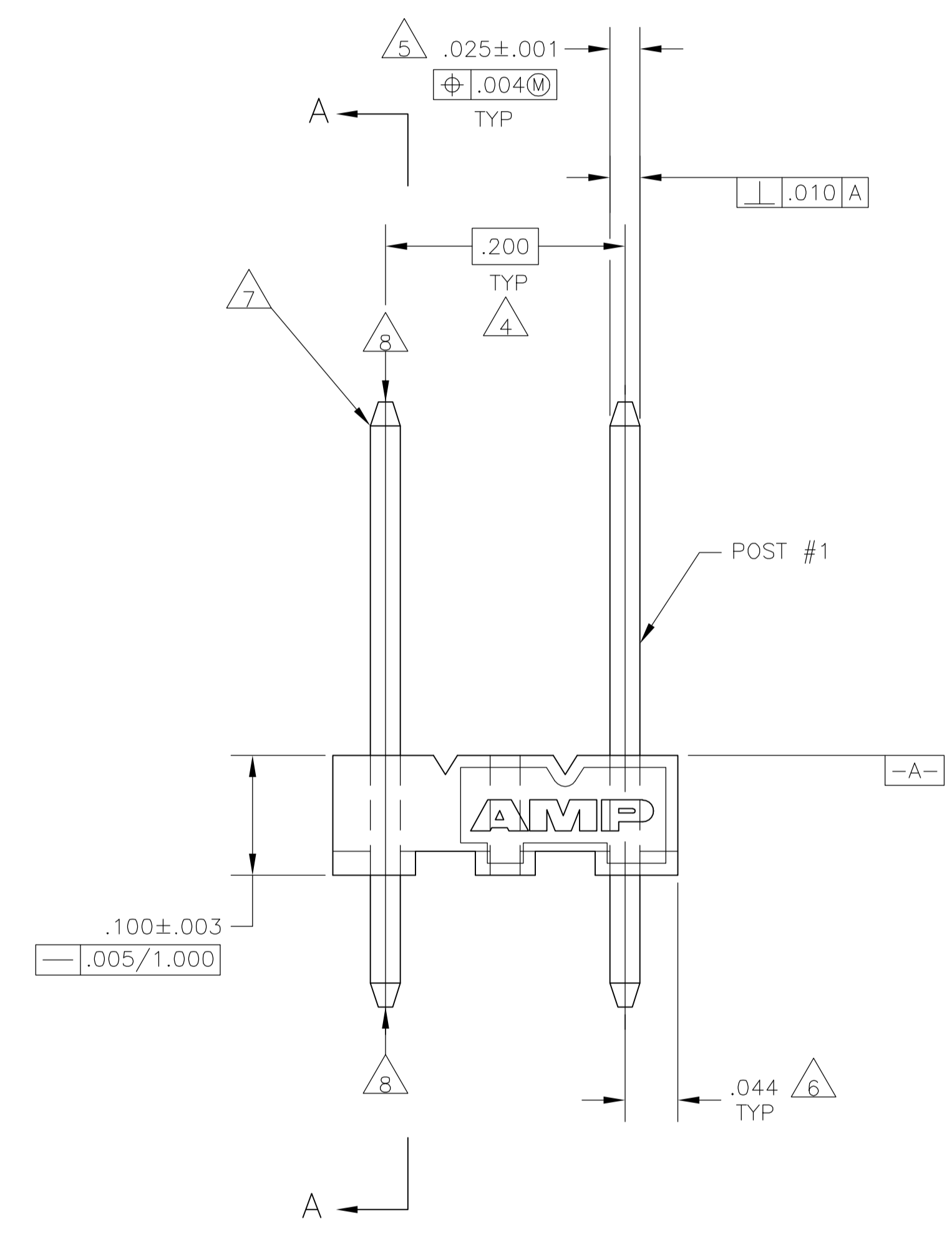
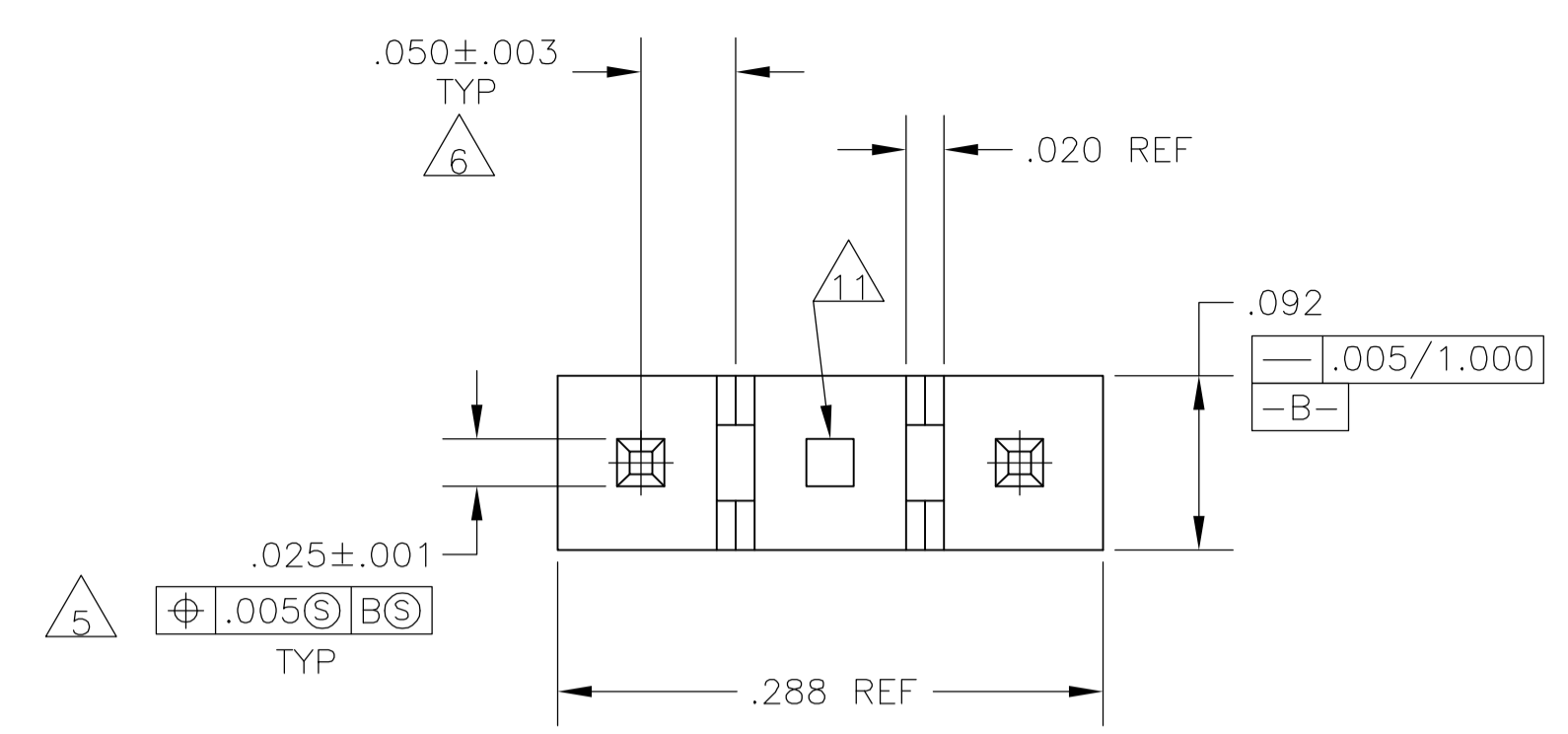
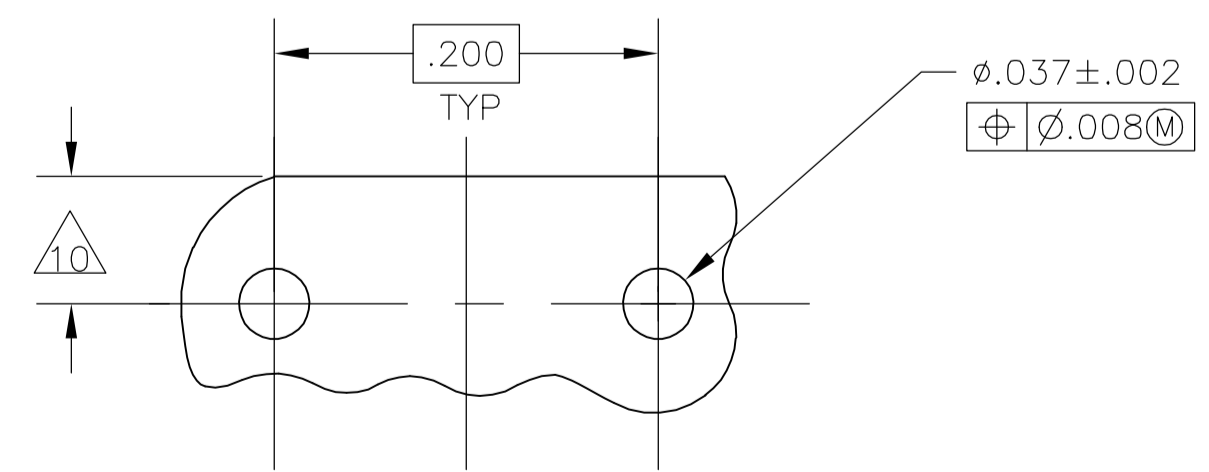


LOC		DIST		REVISIONS			
CM	00	REV	DESCRIPTION	DATE	BY	APP'D	
B1			REVISED PER ECO-07-001393	19JAN07	KW	DB	



SECTION A-A
 RETENTIVE FEATURE IS FOR POSTS DESIGNATED IN TABLE ONLY



RECOMMENDED MOUNTING HOLE PATTERN FOR .063 THICK P. C. BOARD

- 1 MATERIAL:
 BASE: THERMOPLASTIC POLYESTER, UL 94V-0 (NATURAL).
 POST: COPPER ALLOY (TIN OR TIN-LEAD PLATED, .000150" MIN THICK - SEE PART NUMBER TABLE FOR DETAILS).
- 2. PARTS MUST COMPLY WITH AMP SOLDERABILITY SPEC 109-11-2.
- 3 PLASTIC AROUND POST PERMISSIBLE IN THIS AREA ONLY.
- 4 DIMENSION APPLIES WHEN HEADER IS HELD FLAT.
- 5 MEASURED AT -A-
- 6 COORDINATE DIMENSION APPLIES FROM CENTER OF ACTUAL FEATURE.
- 7 RADIUS AT TIP PERMITTED, BOTH ENDS.
- 8 POST MUST WITHSTAND 3.0 LB (13 NEWTONS) MIN AXIAL FORCE IN BOTH DIRECTIONS WITHOUT DISLODGING.
- 9 TOLERANCES APPLY TO SOLDER SIDE OF BOARD.
- 10 DIMENSION SHOULD BE .060 MIN WHEN MATING WITH A MTA-100 CONNECTOR ASSEMBLY OR A CST-100 CONNECTOR.
- 11 HOLE IN OMITTED POST LOCATION MAY NOT BE PRESENT.
- 12. AMP LOGO MAY OR MAY NOT APPEAR ON MOLDING HOUSING. 109-11-2.

IN	MM	IN	MM
.037	0.94	-	-
.0335	0.851	1.000	25.40
.025	0.64	.505	12.83
.020	0.51	.295	7.49
.010	0.25	.288	7.32
.008	0.20	.200	5.08
.005	0.13	.110	2.79
.004	0.10	.100	2.54
.003	0.08	.092	2.34
.002	0.05	.063	1.60
.0030	0.076	.060	1.52
.001	0.03	.050	1.27
.000150	0.0038	.044	1.12
IN	MM	IN	MM

SUPERSEDED BY 3-644748-1	TIN	2	1,3	3-644748-1
	TIN-LEAD	2	1,3	644748-1
	FINISH	POSITION NO. OMITTED	RETENTIVE POSITIONS	PART NUMBER

METRIC

THIS DRAWING IS A CONTROLLED DOCUMENT.

DIMENSIONS: INCHES	TOLERANCES UNLESS OTHERWISE SPECIFIED:	0 PLC ± -	1 PLC ± -	2 PLC ± -	3 PLC ± .005	4 PLC ± -	ANGLES ± -
--------------------	--	-----------	-----------	-----------	--------------	-----------	------------

MATERIAL	FINISH	WEIGHT	SIZE	CAGE CODE	DRAWING NO	RESTRICTED TO
1	1	-	A1	00779	644748	-

CUSTOMER DRAWING SCALE 10:1 SHEET 1 OF 1 REV B1