

CODE	DIM "M" MATING LENGTH	CONTACT TYPE
PA	[N/A]	POWER
E	[6.86]	SIGNAL
HA	[N/A]	HOLD-DOWN

spec ref	See Notes			dr	Luo Weller	2012/06/25	projection 	MM ←→	size	A4	scale	1:1
tolerance std	TOLERANCES UNLESS OTHERWISE SPECIFIED			eng	Luo Weller	2012/07/04			ecn no	-		
See Notes				chr	-	-			rel level	Released		
surface ✓	linear	0.X	±0.50	FCI www.fci.com	title			dwg no	51952-220	rev	A	
		0.XX	±0.25		2DCP + 20S + 2DCP							
		0.XXX	±0.10		VERTICAL SOLDER HEADER							
	angular	0°	±2°	cat. no.	&model_name	Product - Customer Drw	sheet 1 of 4					

PrdE File - REV C - 2009-06-09

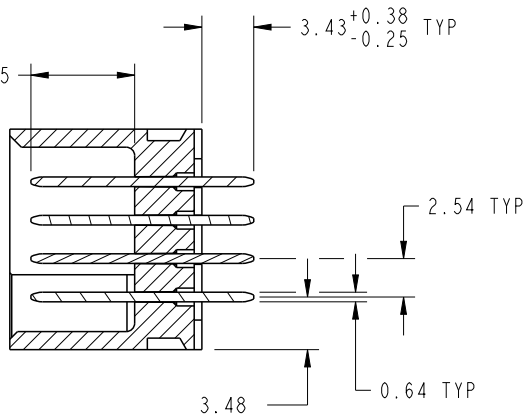


Copyright FCI.

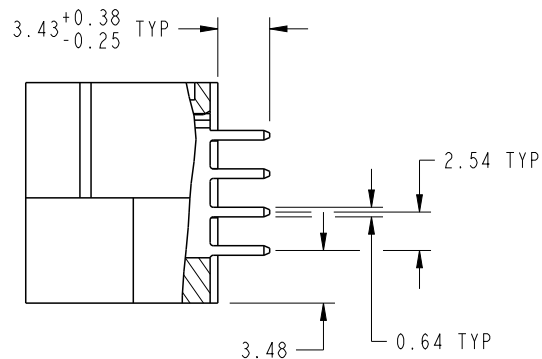
PRODUCT NUMBER

51952-220--
NOTE 3

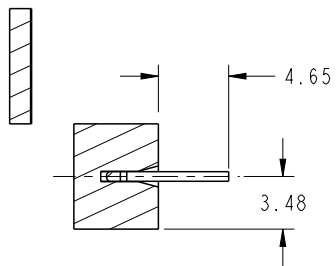
DIM "M" ±0.25



SECTION A-A
SCALE 2:1



SECTION B-B
SCALE 2:1



SECTION C-C
SCALE 2:1

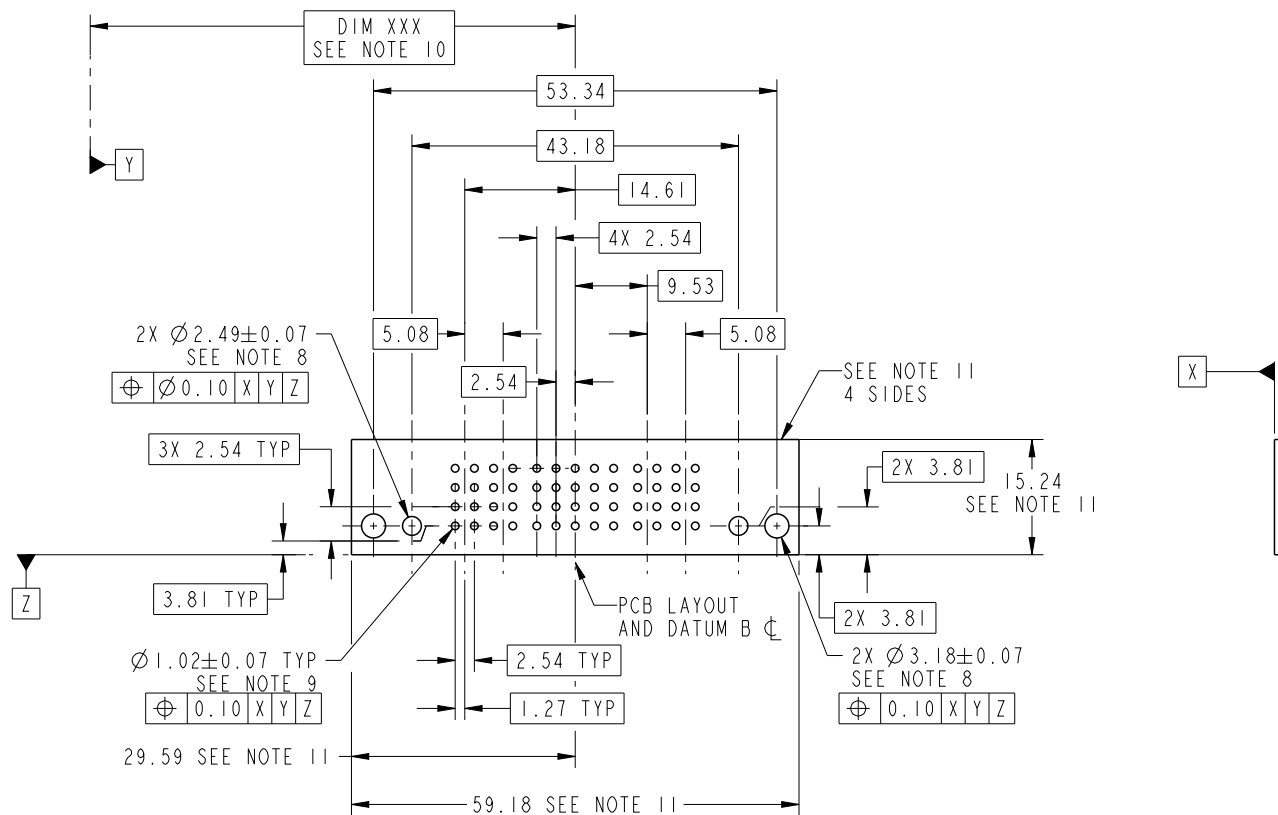
dr	Luo Weller	2012/06/25	projection 	MM 	size	A4	scale	1:1
eng	Luo Weller	2012/07/04			ecn no	-		
chr	-	-			rel level	Released		
appr	Pei-Ming Zheng	2012/07/06	product family	PwrBlade	rev	A		
		title		2DCP + 20S + 2DCP		dwg no		51952-220
www.fci.com		cat. no.		&model_name		Product - Customer Drw		sheet 2 of 4



Copyright FCI.

PRODUCT NUMBER

51952-220--
NOTE 3



RECOMMENDED PCB LAYOUT

dr	Luo Weller	2012/06/25	projection 	MM 	size	A4	scale	1:1		
eng	Luo Weller	2012/07/04			ecn no	-				
chr	-	-			rel level	Released				
appr	Pei-Ming Zheng	2012/07/06	product family	PwrBlade						
	title			2DCP + 20S + 2DCP		dwg no		51952-220	rev	A
www.fci.com		cat. no.	&model_name	Product - Customer Drw			sheet 3 of 4			

PRODUCT NUMBER

51952-220__
NOTE 3

NOTES:

1. DIMENSIONS AND TOLERANCES ARE IN ACCORDANCE WITH ASME Y14.5M, 1994 UNLESS OTHERWISE SPECIFIED.

CONNECTOR NOTES:

- ② HOUSING MATERIAL: UL 94 V-0 GLASS FILLED HIGH-TEMP THERMOPLASTIC
POWER CONTACT MATERIAL: COPPER ALLOY
SIGNAL PIN MATERIAL: COPPER ALLOY
 - 3. SEE ITEM 1 & 2 IN PRINT 10064183 FOR PLATING SPEC OF 51952-220 AND 51952-220LF RESPECTIVELY.
 - ④ MANUFACTURER'S NAME, DATE CODE AND OPTIONAL P/N TO APPEAR ON THIS SURFACE. THE P/N CAN BE OMITTED IF THERE IS NOT ENOUGH SPACE ON THIS SURFACE.
 - 5. PRODUCT SPECIFICATION GS-12-149.
APPLICATION SPECIFICATION BUS-20-067.
 - 6. PACKAGED IN TRAYS.
- PCB NOTES:
- 7. ALL HOLE DIAMETERS ARE FINISHED HOLE SIZE.
 - 8. MOUNTING HOLES, WHERE APPLICABLE, ARE UNPLATED.

⑨ $\varnothing 1.151 \pm 0.025$ DRILLED HOLES PLATED WITH 0.008 MIN SnPb OR Sn OVER .001 [0.03] TO 0.08 Cu PLATING TO ACHIEVE $\varnothing 1.02 \pm 0.07$ HOLE.

⑩ "DIM XXX" TO BE DETERMINED BY THE CUSTOMER.

⑪ CONNECTOR KEEP-OUT ZONE.

dr	Luo Weller	2012/06/25	projection 	MM 	size	A4	scale	1:1			
eng	Luo Weller	2012/07/04			ecn no	-					
chr	-	-			product family	PwrBlade	rel level	Released			
appr	Pei-Ming Zheng	2012/07/06			title	2DCP + 20S + 2DCP		dwg no	51952-220	rev	A
www.fci.com		cat. no.	&model_name	Product - Customer Drw		sheet 4 of 4					



Copyright FCI.