



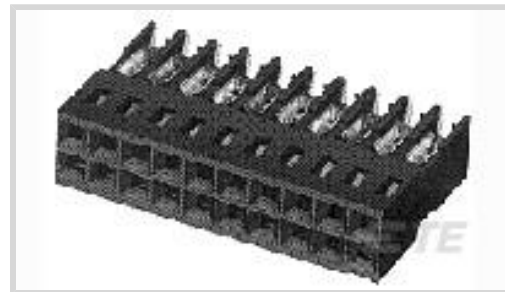
AMPMODU

TE Internal #: 102394-3

Housing, Receptacle, Wire-to-Board, 10 Position, .1 in [2.54 mm]
Centerline, 2 Row, Black, Wire & Cable, Signal, Cable Mount (Free-Hanging)

[View on TE.com >](#)

Connectors > PCB Connectors > Wire-to-Board Connectors > Wire-to-Board Connector Assemblies & Housings



Connector Product Type: **Housing**

Connector & Housing Type: **Receptacle**

Connector System: **Wire-to-Board**

Number of Positions: **10**

Centerline (Pitch): **2.54 mm [.1 in]**

Features

Product Type Features

Connector Product Type	Housing
Connector & Housing Type	Receptacle
Connector System	Wire-to-Board
Sealable	No
Connector & Contact Terminates To	Wire & Cable

Configuration Features

Number of Positions	10
Number of Rows	2

Electrical Characteristics

Termination Resistance	12 mΩ
Insulation Resistance	5000 MΩ
Dielectric Withstanding Voltage (Max)	750 V
Operating Voltage	250 VAC

Body Features

Primary Product Color	Black
-----------------------	-------

Contact Features

Contact Current Rating (Max)	3 A
------------------------------	-----

Mechanical Attachment



Mating Retention	Without
Connector Mounting Type	Cable Mount (Free-Hanging)

Housing Features

Housing Entry Configuration	Both Ends Closed
Housing Material	Thermoplastic
Centerline (Pitch)	2.54 mm[.1 in]

Dimensions

Connector Length	12.7 mm[.5 in]
Connector Height	6.1 mm[.24 in]
Row-to-Row Spacing	2.54 mm[.1 in]

Usage Conditions

Operating Temperature Range	-65 – 105 °C[-85 – 221 °F]
-----------------------------	----------------------------

Operation/Application

Circuit Application	Signal
---------------------	--------

Industry Standards

Glow Wire Rating	Standard Part - Not Glow Wire
Approved Standards	CSA LR7189, UL E28476
UL Flammability Rating	UL 94V-0

Packaging Features

Packaging Quantity	250
Packaging Method	Tray

Product Compliance

[For compliance documentation, visit the product page on TE.com>](#)

EU RoHS Directive 2011/65/EU	Compliant
EU ELV Directive 2000/53/EC	Compliant
China RoHS 2 Directive MIIT Order No 32, 2016	No Restricted Materials Above Threshold
EU REACH Regulation (EC) No. 1907/2006	Current ECHA Candidate List: JUNE 2023 (235) Candidate List Declared Against: JUNE 2023 (235) Does not contain REACH SVHC
Halogen Content	Not Low Halogen - contains Br or Cl > 900 ppm.

Solder Process Capability

Not applicable for solder process capability

Product Compliance Disclaimer

This information is provided based on reasonable inquiry of our suppliers and represents our current actual knowledge based on the information they provided. This information is subject to change. The part numbers that TE has identified as EU RoHS compliant have a maximum concentration of 0.1% by weight in homogenous materials for lead, hexavalent chromium, mercury, PBB, PBDE, DBP, BBP, DEHP, DIBP, and 0.01% for cadmium, or qualify for an exemption to these limits as defined in the Annexes of Directive 2011/65/EU (RoHS2). Finished electrical and electronic equipment products will be CE marked as required by Directive 2011/65/EU. Components may not be CE marked. Additionally, the part numbers that TE has identified as EU ELV compliant have a maximum concentration of 0.1% by weight in homogenous materials for lead, hexavalent chromium, and mercury, and 0.01% for cadmium, or qualify for an exemption to these limits as defined in the Annexes of Directive 2000/53/EC (ELV). Regarding the REACH Regulation, the information TE provides on SVHC in articles for this part number is based on the latest European Chemicals Agency (ECHA) 'Guidance on requirements for substances in articles' posted at this URL: <https://echa.europa.eu/guidance-documents/guidance-on-reach>

Compatible Parts



TE Part # 5-102618-3
10 MODII HDR DRST SHRD .100CL



TE Part # 5-103168-3
10 MODII HDR DRST SHRD .100CL



TE Part # 5-102617-3
10 MODII HDR DRRA SHRD LF



TE Part # 102536-3
10 AMPMODU MT COVER DR .100CL



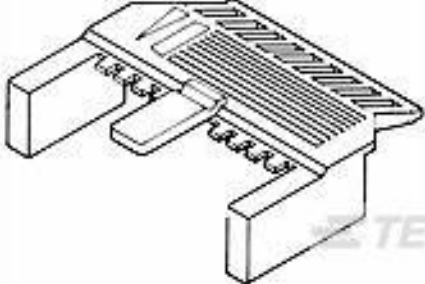
TE Part # 102540-3
10 AMPMODU MT COVER DR .100CL



TE Part # 102541-3
10 AMPMODU MT COVER DR .100CL



TE Part # 5-103166-3
10 MODII HDR DRRA SHRD LF



TE Part # 102537-3
10 AMPMODU MT COVER DR .100CL

Customers Also Bought



TE Part #5-103960-5
4X6 MTE RCPT SR LATCH .100CL



TE Part #5-102618-6
16 MODII HDR DRST SHRD .100CL



TE Part #1-794229-0
MINI UMNL2 SOK 22-18AWG LP LF



TE Part #1-87456-1
16 MODIV HSG COMP DR .100CL



TE Part #102394-8
20 AMP MODU MT HSG DR .100CL



TE Part #1757824-7
AMPLIMITE,ASY,RCPT,STD,90,ZN,1,CT



TE Part #103958-6
2X7 MTE RCPT SR LATCH .100CL



TE Part #5-103961-4
4X5 MTE RCPT SR LATCH .100CL



TE Part #102448-6
16 AMPMODU MT ASSY DR .100CL



TE Part #103961-2
8X3 MTE RCPT SR LATCH .100CL

Documents

CAD Files

Customer View Model

[ENG_CVM_CVM_102394-3_V.2d_dxf.zip](#)

English

3D PDF

3D

Customer View Model

[ENG_CVM_CVM_102394-3_V.3d_igs.zip](#)

English

Customer View Model

[ENG_CVM_CVM_102394-3_V.3d_stp.zip](#)

English

By downloading the CAD file I accept and agree to the [Terms and Conditions](#) of use.

Datasheets & Catalog Pages

[AMPMODU_INTERCONNECTION_SYSTEM_SECTION5_CONT](#)

English

Product Specifications

[Application Specification](#)

English