

4

15

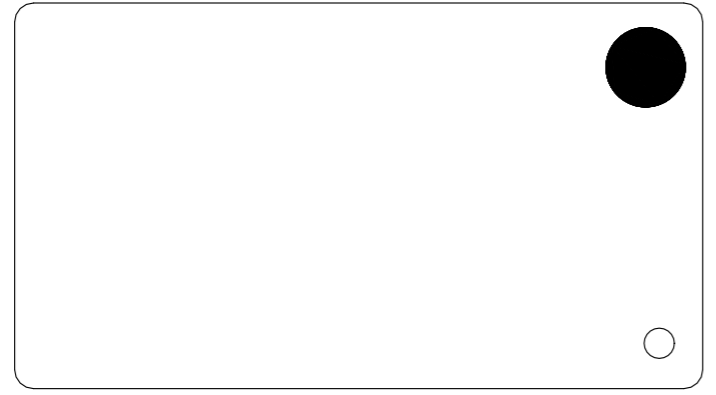
3

2

1

THIS DRAWING IS UNPUBLISHED. RELEASED FOR PUBLICATION
 © COPYRIGHT - By - TE CONNECTIVITY ALL RIGHTS RESERVED.

LOC	DIST	REVISIONS			
P	LTR	DESCRIPTION	DATE	DWN	APVD
HB	-	C2	REMOVED CSA LOGO ECN-22-139757	22FEB2022	G.R K.T



PART A

TE

OJ-SH-124DM

us **DE** **CQC**

5A 250V~
5A 30V=

24V=

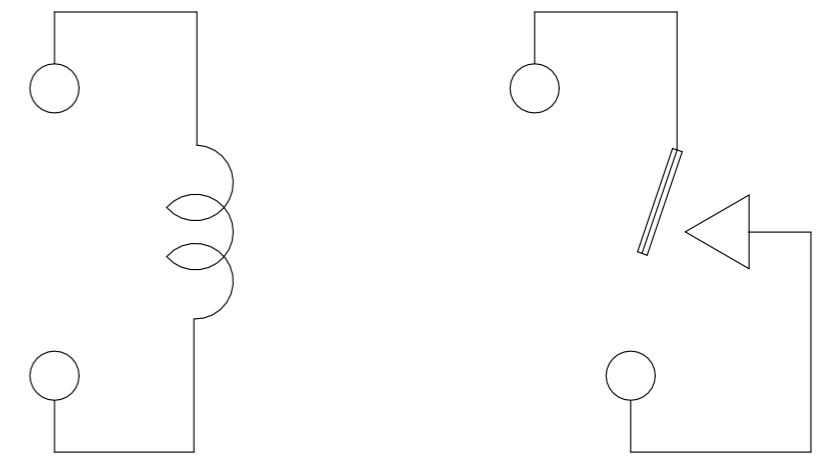
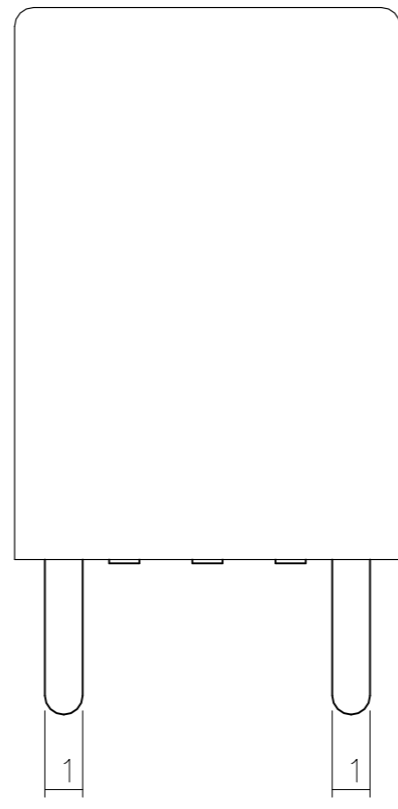
OEG C

LOT NO. (C) SEE NOTE 5 (C)

PART B

C:MADE IN CHINA

Dimensions: 14.6±0.5, 4.1±0.3, 0.45, 0.3, 0.3



CONNECTION FIGURE

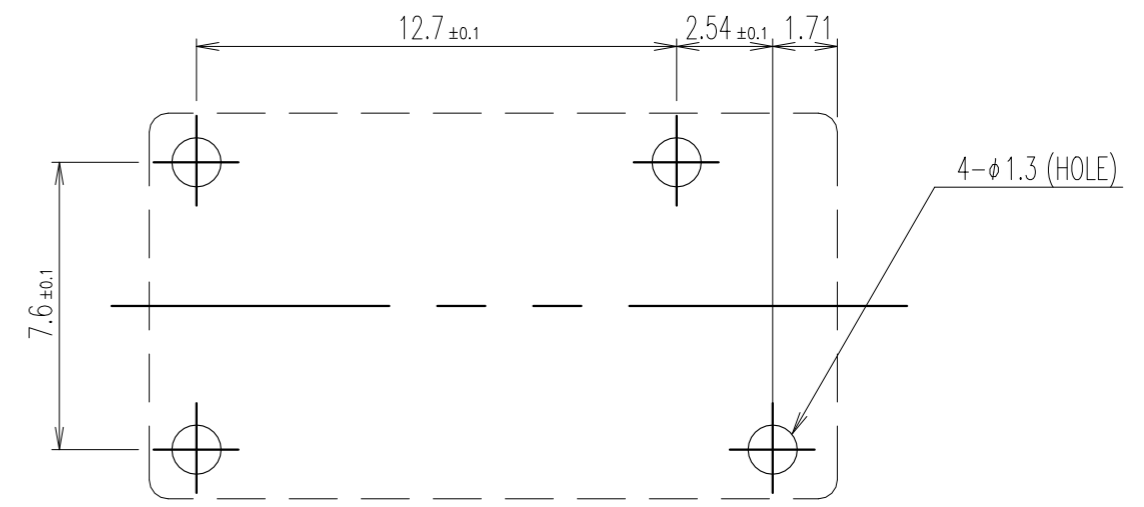
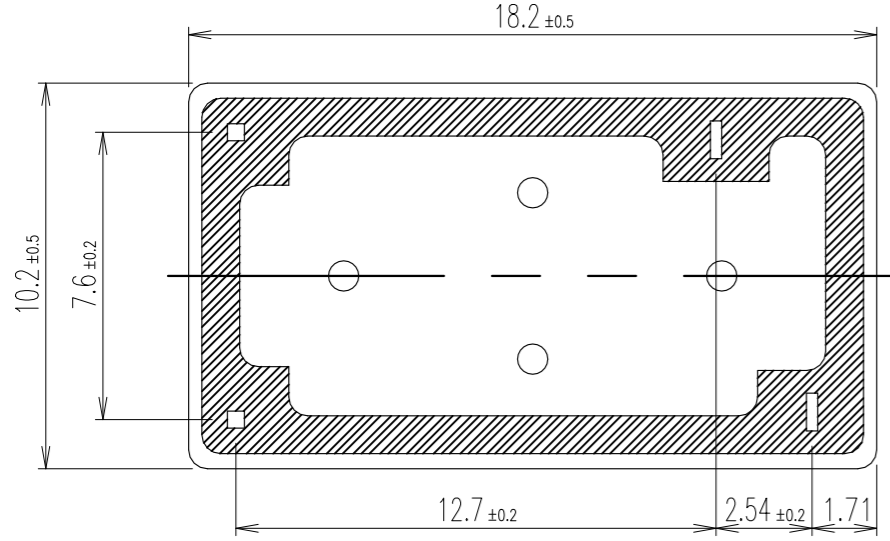


FIGURE FOR PRINTED CIRCUIT BOARD PROCESSING (BOTTOM VIEW)



THIS DRAWING IS A CONTROLLED DOCUMENT.		DWN	H.Sasaki		
DIMENSIONS: mm		CHK	A.Nagai		
TOLERANCES UNLESS OTHERWISE SPECIFIED:		APVD	Y.Oikawa		
0 PLC ± -		PRODUCT SPEC	-		
1 PLC ± -		APPLICATION SPEC	-		
2 PLC ± -		SIZE	CAGE CODE	DRAWING NO	RESTRICTED TO
3 PLC ± -		-	A3	00779	-
4 PLC ± -		WEIGHT	-		
ANGLES ± -		CUSTOMER DRAWING			
FINISH -		SCALE		SHEET	REV
		5:1		1 OF 2	C2



OJ-SH-DM SPEC.000 CUSTOMER DRWAING

SIZE: A3, CAGE CODE: 00779, DRAWING NO: 1461406, RESTRICTED TO: -

THIS DRAWING IS UNPUBLISHED. RELEASED FOR PUBLICATION
 © COPYRIGHT - By - TE CONNECTIVITY ALL RIGHTS RESERVED.

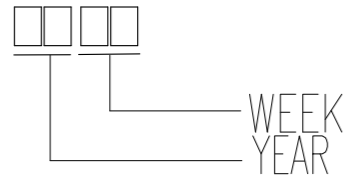
LOC	DIST	REVISIONS			
P	LTR	DESCRIPTION	DATE	DWN	APVD
HB	-	SEE SHEET 1	-	-	-

Ⓢ	OBSOLETE	1461406-6	OJ-SH-148DM, 000	107-79010	48V	OJ-SH-148DM	g
	ACTIVE	1461406-5	OJ-SH-124DM, 000	107-79010	24V	OJ-SH-124DM	f
	ACTIVE	1461406-4	OJ-SH-112DM, 000	107-79010	12V	OJ-SH-112DM	e
Ⓢ	OBSOLETE	1461406-3	OJ-SH-109DM, 000	107-79010	9V	OJ-SH-109DM	d
Ⓢ	OBSOLETE	1461406-2	OJ-SH-106DM, 000	107-79010	6V	OJ-SH-106DM	c
	ACTIVE	1461406-1	OJ-SH-105DM, 000	107-79010	5V	OJ-SH-105DM	b
Ⓢ	OBSOLETE	1461406-7	OJ-SH-103DM, 000	107-79010	3V	OJ-SH-103DM	a
	PART STATUS	TE PART NO	TE TYPE NAME	PACKAGE SPEC	PART B	PART A	TYPE

RELAY TYPE

Ⓢ Ⓢ NOTE:

1. LOT NO SYSTEM AS FOLLOWING:

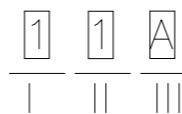


Ⓢ 2. TERMINAL DIMENSION IS BEFORE SOLDER DIP;

Ⓢ 3. FOR THE TIN-PLATING OF THE PINS:
 +0.1mm FOR WIDTH, THICKNESS AND DIAMETER.
 +0.5mm FOR LENGTH.

Ⓢ 4. MARKING FROM INK TO LASER.

Ⓢ 5. ADD LOT NO. SYSTEM AS FOLLOWING;



I, DIGITS FOR DAY OF THE WEEK
 1...MONDAY IN THIS WEEK;
 2...TUESDAY IN THIS WEEK;

 7...SUNDAY IN THIS WEEK

II, DIGITS FOR SHIFT OF THE DAY
 1...DAY SHIFT IN THIS DAY;
 2...NIGHT SHIFT IN THIS DAY;

III, ONE CHARACTER DISTINGUISH THE LINE IDENTITY, SUCH AS: A,B.....Z

		UV RESIN	SEAL (VENT HOLE)	16
		EPOXY RESIN	SEAL (BASE & BOBBIN)	15
		3UEW	MAGNETIC WIRE	14
94V-0		P.B.T	CASE	13
94V-0		P.B.T	BASE	12
94V-0		P.B.T	BOBBIN	11
	SOLDER DIP	C.P WIRE	COIL TERMINAL	10
94V-0		P.P.S	CARD	9
		Ag ALLOY	MOVABLE CONTACT	8
		Ag	NO.CONTACT	7
		STEEL	HINGE SPRING	6
	SOLDER DIP	PBP	NO.TERMINAL	5
	SOLDER DIP	PBS	MOVABLE SPRING	4
	NIP	STEEL	CORE	3
	NIP	STEEL	ARMATURE	2
	NIP	STEEL	YOKE	1
INCOMBUSTIBILITY	TREATMENT	MATERIAL	DESCRIPTION	ITEM

THIS DRAWING IS A CONTROLLED DOCUMENT.		DWN	H.Sasaki	
DIMENSIONS: mm		CHK	A.Nagai	
TOLERANCES UNLESS OTHERWISE SPECIFIED:		APVD	Y.Oikawa	
0 PLC ± -		PRODUCT SPEC	-	
1 PLC ± -		APPLICATION SPEC	-	
2 PLC ± -		WEIGHT	-	
3 PLC ± -		SIZE	A3	CAGE CODE
4 PLC ± -		DRAWING NO	1461406	
ANGLES ± -		RESTRICTED TO	-	
FINISH		SCALE	5:1	
-		SHEET	2 OF 2	
-		REV	C2	
<p>STE TE Connectivity</p> <p>OJ-SH-DM SPEC.000 CUSTOMER DRAWING</p> <p>CUSTOMER DRAWING</p>				