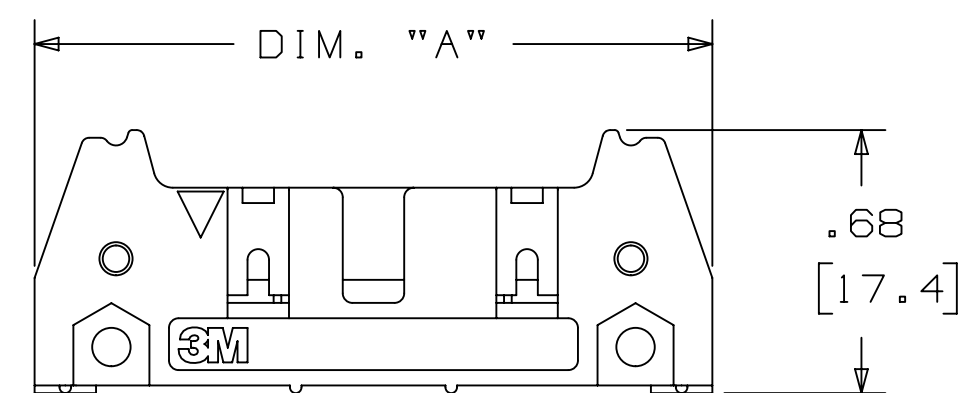
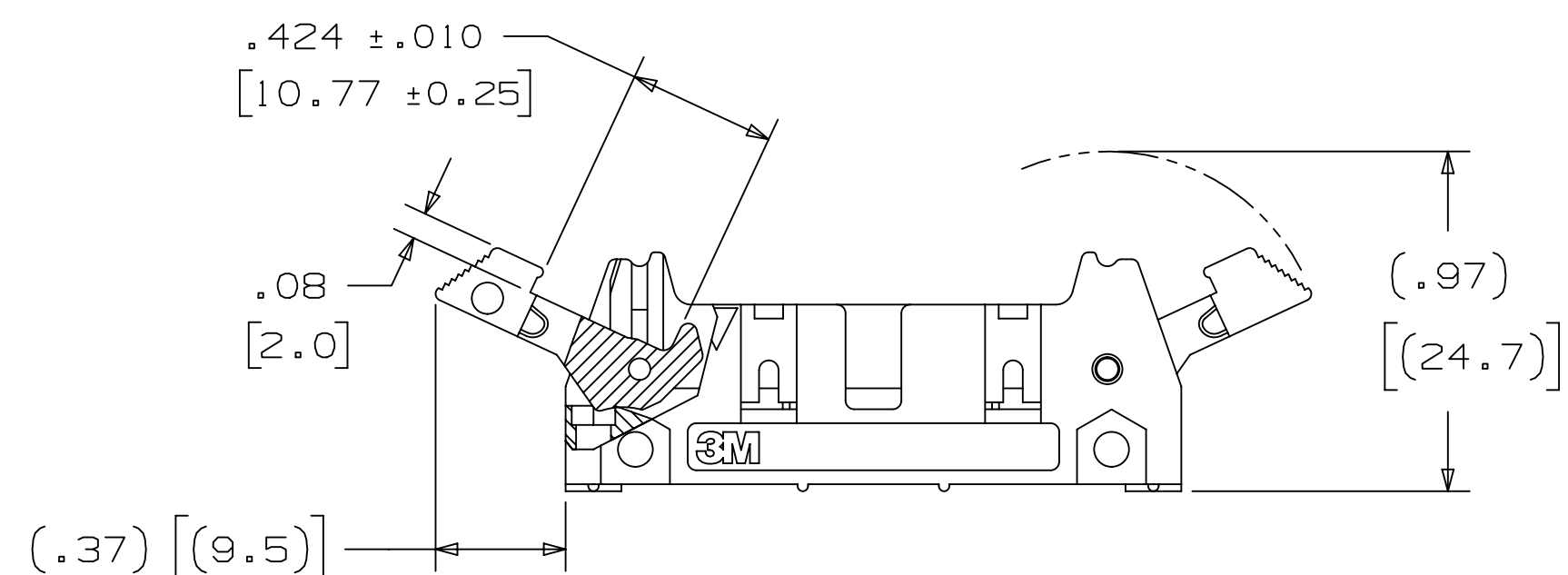


3M™ FOUR-WALL HEADER, 3000 SERIES

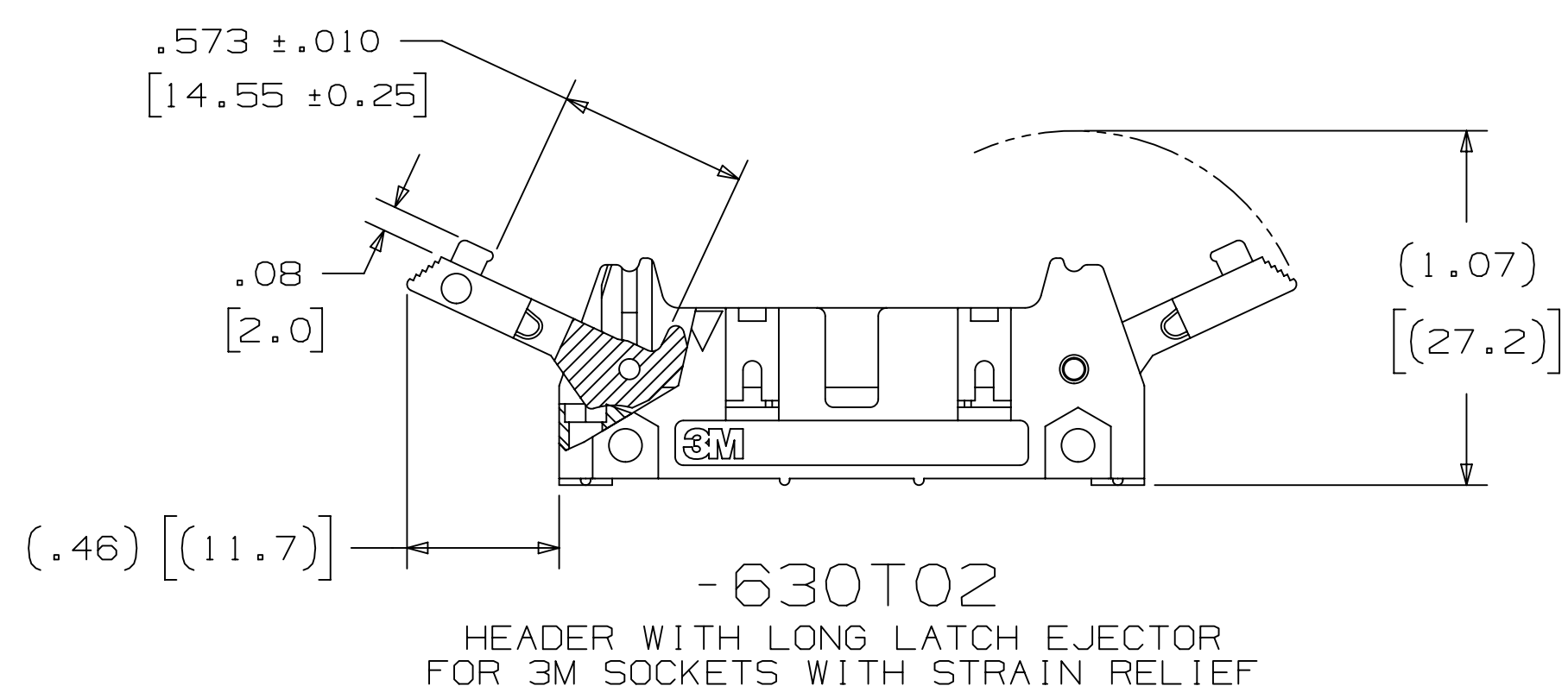
.100" X .100" LATCH/EJECTOR, STRAIGHT, COMPLIANT PIN



-600T02
HEADER WITHOUT LATCH EJECTOR



-620T02
HEADER WITH SHORT LATCH EJECTOR
FOR 3M SOCKETS WITHOUT STRAIN RELIEF



-630T02
HEADER WITH LONG LATCH EJECTOR
FOR 3M SOCKETS WITH STRAIN RELIEF

- * MILITARY (WITH 3M'S N3518 POLARIZING KEY) AND CENTERBUMP POLARIZATION.
- * OPTIONAL EJECTOR LATCHES.
- * MOUNTING HOLES FOR SECURING HEADER TO BOARD.
- * DEPENDABLE EYE-OF-THE-NEEDLE PIN DESIGN.
- * OPTIONAL POLARIZING POSTS AVAILABLE.
- * HIGH TEMPERATURE INSULATOR.

2 PHYSICAL :

INSULATOR: HIGH TEMP GLASS FILLED POLYESTER (PCT)
 MATERIAL: UL94V-0
 FLAMMABILITY: UL94V-0
 COLOR: BLACK
 CONTACT: COPPER ALLOY
 MATERIAL: COPPER ALLOY
 PLATING: 50μ" - 150μ" [1.27μm - 3.81μm] NICKEL-OVERALL
 WIPING AREA: 30μ" [0.76μm] AVG. GOLD
 SOLDER TAILS: 200μ" [5.08μm] MIN MATTE TIN (APP E1 & C1 APPLY)
 MARKINGS: 3M LOGO, PART IDENTIFICATION NUMBER AND ORIENTATION TRIANGLE

2 ELECTRICAL :

CURRENT RATING: 1A
 INSULATION RESISTANCE: >1 X 10⁹Ω AT 500 V_{DC}
 WITHSTANDING VOLTAGE: 1,000V_{RMS} AT SEA LEVEL

2 ENVIRONMENTAL :

TEMPERATURE RATING: -55°C TO 105°C

- NOTES
- REGULATORY INFORMATION: VISIT 3M.com/regs
 - IN THE EVENT OF CONFLICT BETWEEN THIS DATA AND THAT CONTAINED IN THE PRODUCT SPECIFICATION, THE PRODUCT SPECIFICATION TAKES PRECEDENT.
 - NOTCHES A & C WILL ACCOMMODATE 3M POLARIZING KEY: N3518.
 - MOUNTING HARDWARE:
 REAR ENTRY:
 #4-24 THREAD CUTTING SCREW (3M PART #3341-5) WITH Ø .116 [2.95] MOUNTING HOLE.
 FRONT ENTRY:
 (PRIOR TO INSTALLATION OF LATCH)
 #2-56 BOLT AND NUT (3M PART #3341-6) WITH Ø .106 [2.69] MOUNTING HOLE.

ORDERING INFORMATION

NXXXX-6X0T02RB

3M PART NUMBER: (SEE TABLE 1) PLATING:

LATCH/EJECTOR SYSTEM:
 0 = NO LATCH/EJECTOR INSTALLED
 2 = SHORT ROLL PIN LATCH/EJECTORS
 3 = LONG ROLL PIN LATCH/EJECTORS

3M ELECTRONICS MATERIALS SOLUTIONS DIVISION
 INTERCONNECT SOLUTIONS
<http://www.3M.com/interconnect>

3M IS A TRADEMARK OF 3M COMPANY.
 FOR TECHNICAL, SALES OR ORDERING
 INFORMATION CALL 800-225-5373

DIMENSIONS: INCHES [MM]
 [MM] IS REF. ONLY

DESIGN REFERENCE	NEXT ASSEMBLY	REV	ECO	ISSUE DATE AND DESCRIPTION	DRFT	CHKD
XXXXX						
DIVISION		DIVISION CODE		DATE		
Interconnect Solutions		EMSD		DATE		
DO NOT SCALE DRAWING	SCALE 2/1	TOLERANCES EXCEPT AS NOTED		DATE		
THIRD ANGLE PROJECTION		INCHES		DATE		
INTERPRET PER ASME Y14.5 - 2018		.00 ± .01 .000 ± .005 .0000 ± .0002		DATE		
MAX SURFACE ROUGHNESS		MILLIMETERS		DATE		
ALL SURFACES		0 ± 2 .0 ± .3 .00 ± .13 .000 ± .005		DATE		
MARKED ONLY		ANGLES		DATE		
3M		3M Center St. Paul, MN 55144		DATE		
TITLE		4-WALL HDR, .100 X .100 LATCH/EJECT, STR, COMPLIANT PIN		DATE		
CAGE NUMBER		D78-5100-0478-7		DATE		
MODEL		3400		DATE		

CAUS
 UL FILE NO: E68080

78-5100-0478-7
DRAWING NUMBER

F
REVISION

SHT 1 OF 5

3M™ FOUR-WALL HEADER, 3000 SERIES

.100" X .100" LATCH/EJECTOR, STRAIGHT, COMPLIANT PIN

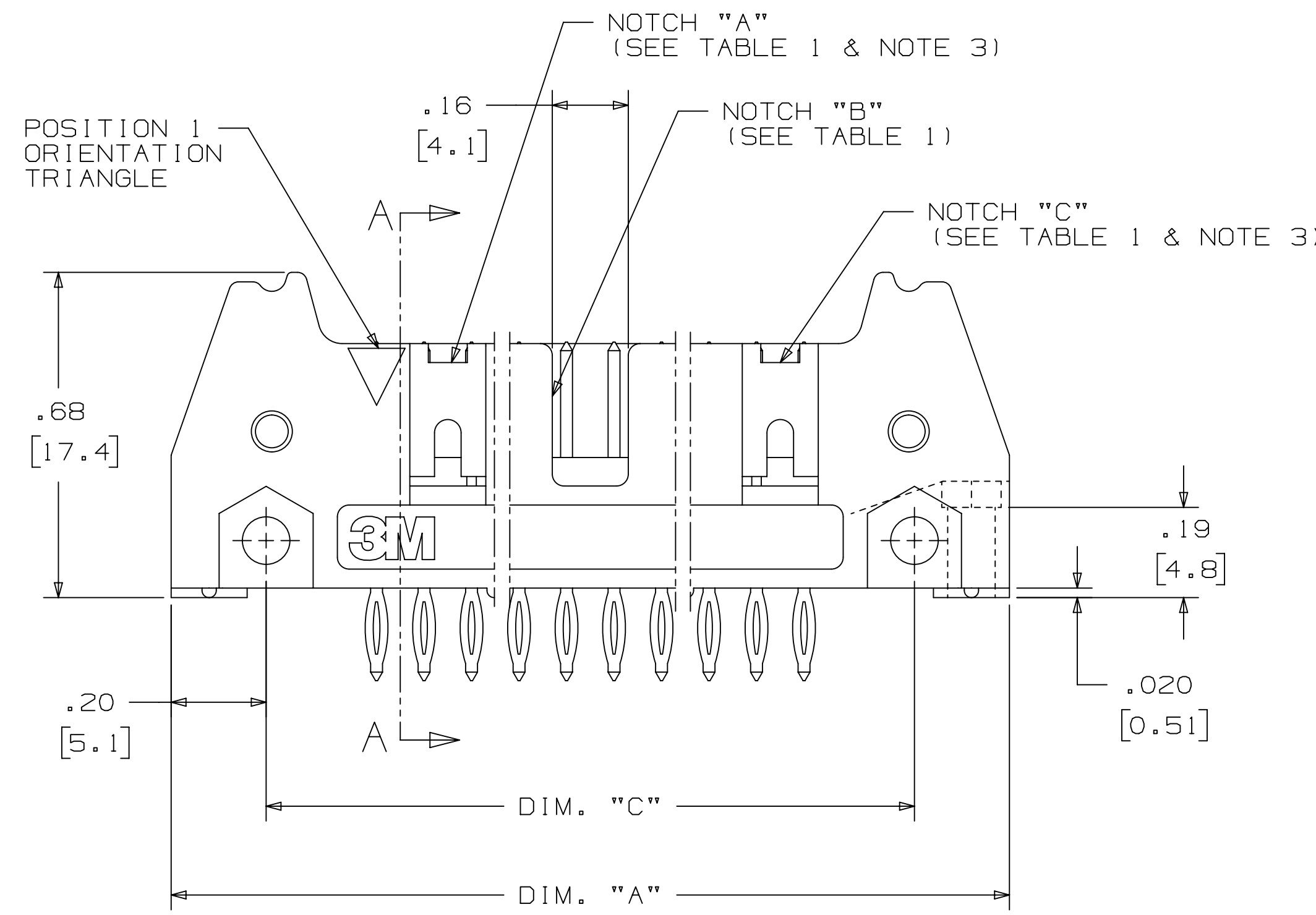
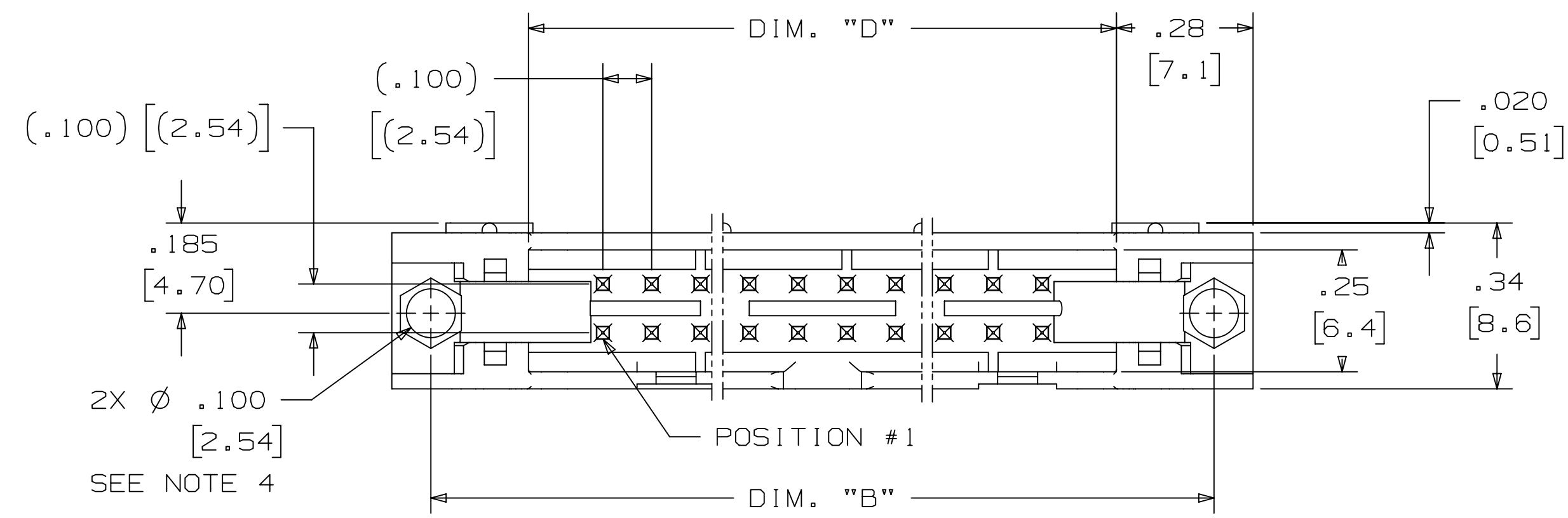
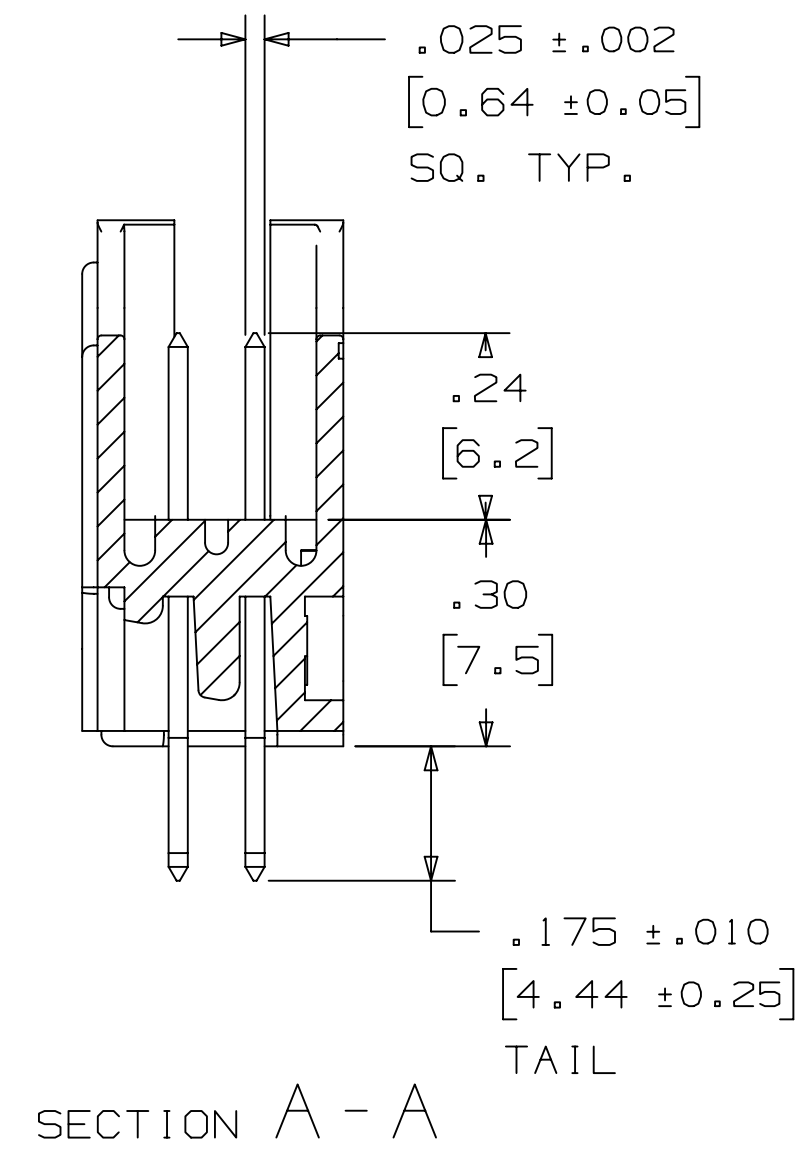


TABLE 1

PIN QTY.	3M PART NUMBER	DIM. "A"	DIM. "B"	DIM. "C"	DIM. "D"	POLARIZING NOTCHES	INSERTION PLATEN 3442-00XX	PIN QTY.
10	3793	1.26 [32.1]	1.105 [28.04]	.865 [21.97]	.71 [18.0]	BC	3442-0048	10
14	3314	1.46 [37.2]	1.305 [33.12]	1.065 [27.05]	.91 [23.1]	BC	3442-0049	14
16	3408	1.56 [39.7]	1.405 [35.66]	1.165 [29.59]	1.01 [25.6]	ABC	3442-0050	16
20	3428	1.76 [44.8]	1.604 [40.74]	1.365 [34.67]	1.21 [30.7]	ABC	3442-0051	20
24	3627	1.96 [49.9]	1.805 [45.82]	1.565 [39.75]	1.41 [35.8]	ABC	3442-0052	24
26	3429	2.06 [52.4]	1.905 [48.36]	1.665 [42.29]	1.51 [38.3]	ABC	3442-0053	26
30	3440	2.26 [57.5]	2.105 [53.44]	1.865 [47.37]	1.71 [43.4]	ABC	3442-0054	30
34	3431	2.46 [62.6]	2.305 [58.52]	2.065 [52.45]	1.91 [48.5]	ABC	3442-0055	34
40	3432	2.76 [70.2]	2.605 [66.14]	2.365 [60.07]	2.21 [56.1]	ABC	3442-0056	40
50	3433	3.26 [82.9]	3.105 [78.84]	2.865 [72.77]	2.71 [68.8]	ABC	3442-0057	50
60	3372	3.76 [95.6]	3.605 [91.54]	3.365 [85.47]	3.21 [81.5]	ABC	3442-0058	60
64	3764	3.96 [100.7]	3.805 [96.62]	3.565 [90.55]	3.41 [86.6]	ABC	3442-0059	64

ASSEMBLY EQUIPMENT:
USE 3442-00XX PLATEN (SEE TABLE #1) AND APPROPRIATE COMMERCIAL ARBOR PRESS TO PRESS HEADER INTO PC BOARD.

DESIGN REFERENCE	NEXT ASSEMBLY	REV	ECO	ISSUE DATE AND DESCRIPTION	DRFT	CHKD
		DRFT	CASTIGLIONE	DATE	JUL 31, 2014	MFG
		CHKD		DATE		APPV
				DATE	SEP 05, 2014	R. SCHERER
DIVISION	Interconnect Solutions	DIVISION CODE	EMSD	This document and the information it contains are 3M property and may not be reproduced or further distributed without 3M permission, or used or disclosed other than for 3M authorized purposes. All rights reserved.		
DO NOT SCALE DRAWING	SCALE 4/1	TOLERANCES EXCEPT AS NOTED	INCHES .0 ± .1 .00 ± .01 .000 ± .005 .0000 ± .0002			
THIRD ANGLE PROJECTION	INTERPRET PER ASME Y14.5 - 2018	MILLIMETERS	0 ± 2 .0 ± .3 .00 ± .13 .000 ± .005			
MAX SURFACE ROUGHNESS	ALL SURFACES	ANGLES	CAGE NUMBER D 78-5100-0478-7 MODEL 3400 DET [] YES [X] NO SHT 2 OF 5			
			TITLE 4-WALL HDR, .100 X .100 LATCH/EJECT, STR, COMPLIANT PIN			

78-5100-0478-7 DRAWING NUMBER

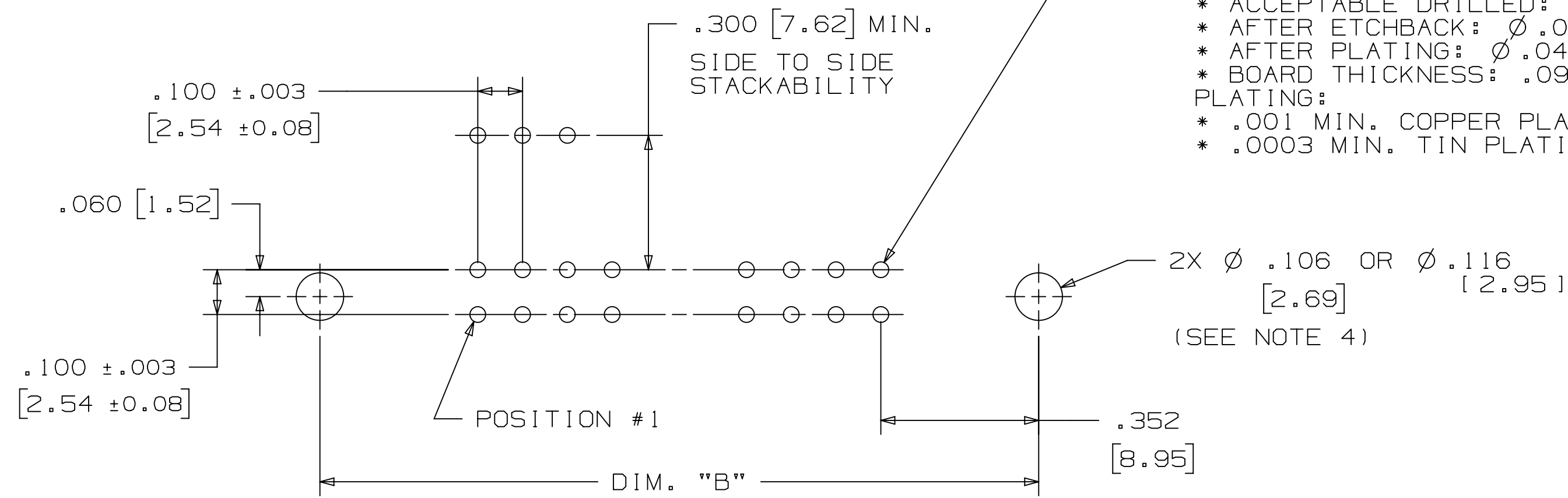
F REVISION

3M™ FOUR-WALL HEADER, 3000 SERIES

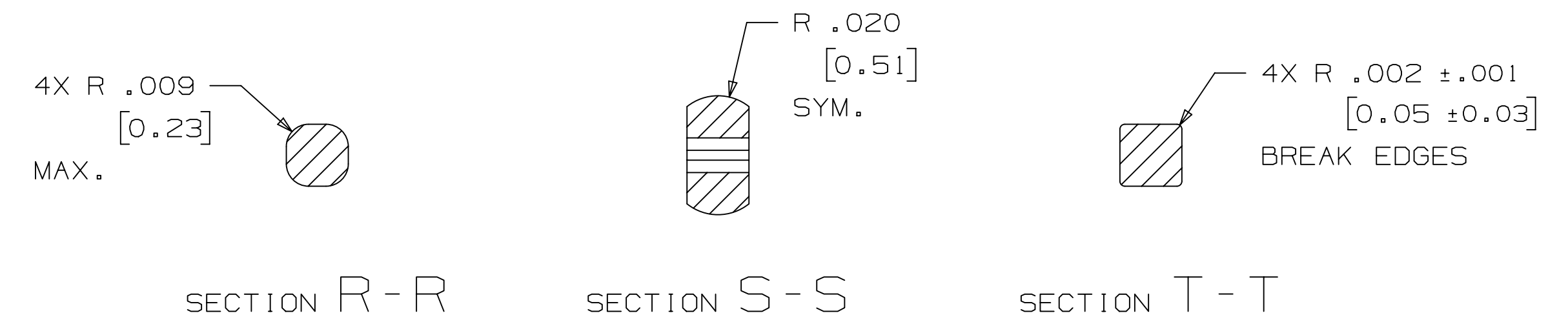
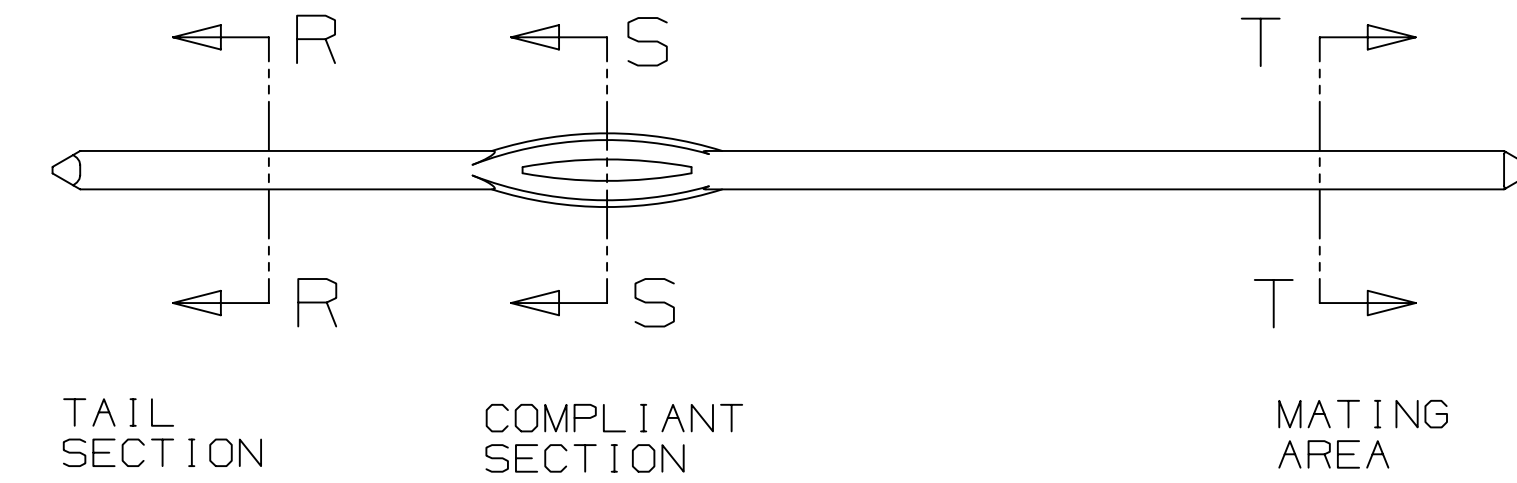
.100" X .100" LATCH/EJECTOR, STRAIGHT, COMPLIANT PIN

NOTE:
PCB HOLE SIZES AND TOLERANCES RECOMMENDED FOR USE WITH 3M'S COMPLIANT PIN HEADER. THE INSERTION FORCE IS DESIGNED NOT TO EXCEED 40 POUNDS PER PIN AND THE WITHDRAWAL FORCE IS NOT LESS THAN 10 POUNDS PER PIN.

HOLE SIZE FOR:
 * PREFERRED DRILLED: $\phi .0453 \pm .0005$
 * ACCEPTABLE DRILLED: $\phi .0453 \pm .0005 / - .0010$
 * AFTER ETCHBACK: $\phi .0460$ MAX.
 * AFTER PLATING: $\phi .040 \pm .003$
 * BOARD THICKNESS: .093 TO .150
 PLATING:
 * .001 MIN. COPPER PLATING THICKNESS
 * .0003 MIN. TIN PLATING



RECOMMENDED MOUNTING HOLE PATTERN



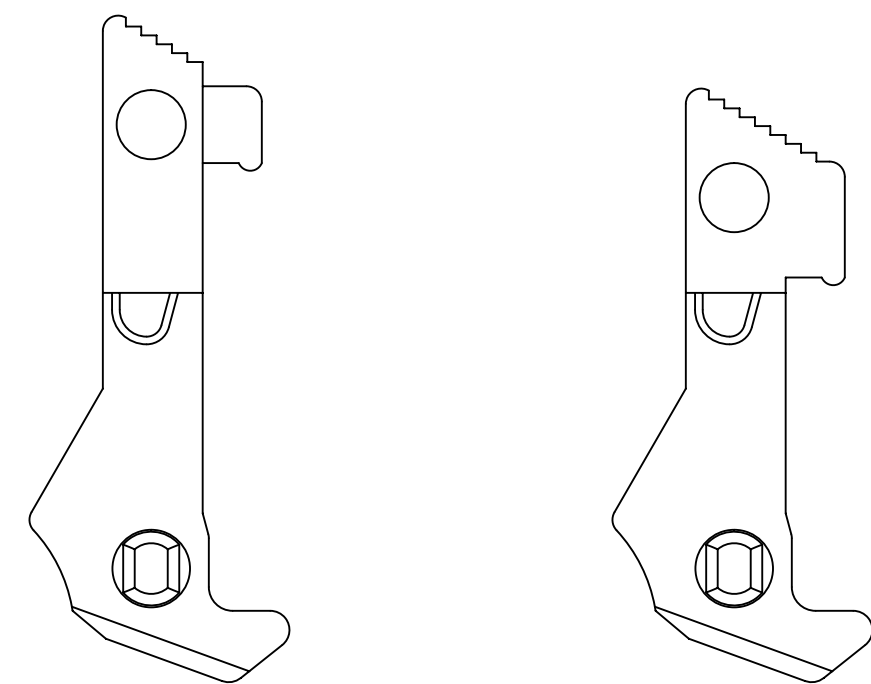
PART CUSTOMIZATION

THIS SPEC SHEET DETAILS OUR STANDARD OFFERING.

3M HAS SEVERAL CAPABILITIES THAT CAN PROVIDE A PART TAILORED TO YOUR SPECIFIC NEEDS. ASK YOUR 3M SALES REPRESENTATIVE OR CUSTOMER SERVICE FOR MORE DETAILS.

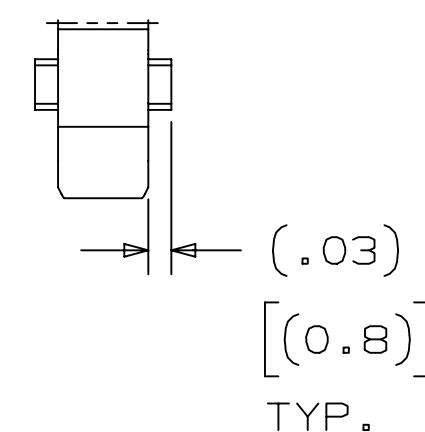
BOTH SNAP-IN AND ROLL PIN LATCHES MAY BE ORDERED SEPARATELY. SNAP-IN AND ROLL PIN STYLE LATCHES ARE DIMENSIONALLY AND FUNCTIONALLY EQUIVALENT. IF ORDERING SNAP-IN OR ROLL PIN STYLE LATCHES SEPARATELY, PLEASE USE THE BELOW CHART.

MATERIAL	SHORT LATCH	LONG LATCH	LATCH STYLE	COLOR
HIGH TEMP. (PCT)	N3505-2B	N3505-3B	ROLL PIN	BLACK
HIGH TEMP (PPA)	N3505-30B	N3505-31B	SNAP-IN	BLACK

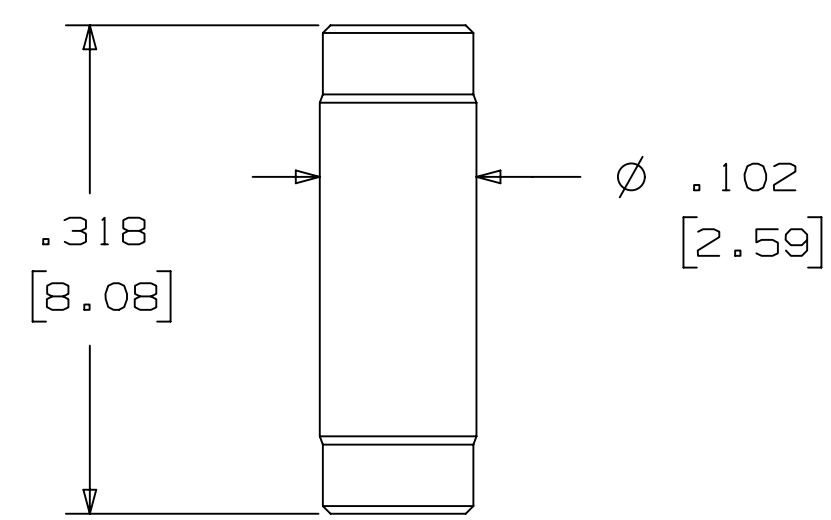


LONG SHORT
SNAP-IN LATCHES

NOTE:
SNAP-IN LATCHES CAN ONLY BE ORDERED SEPARATELY AND ARE THE CUSTOMERS RESPONSIBILITY TO INSTALL.



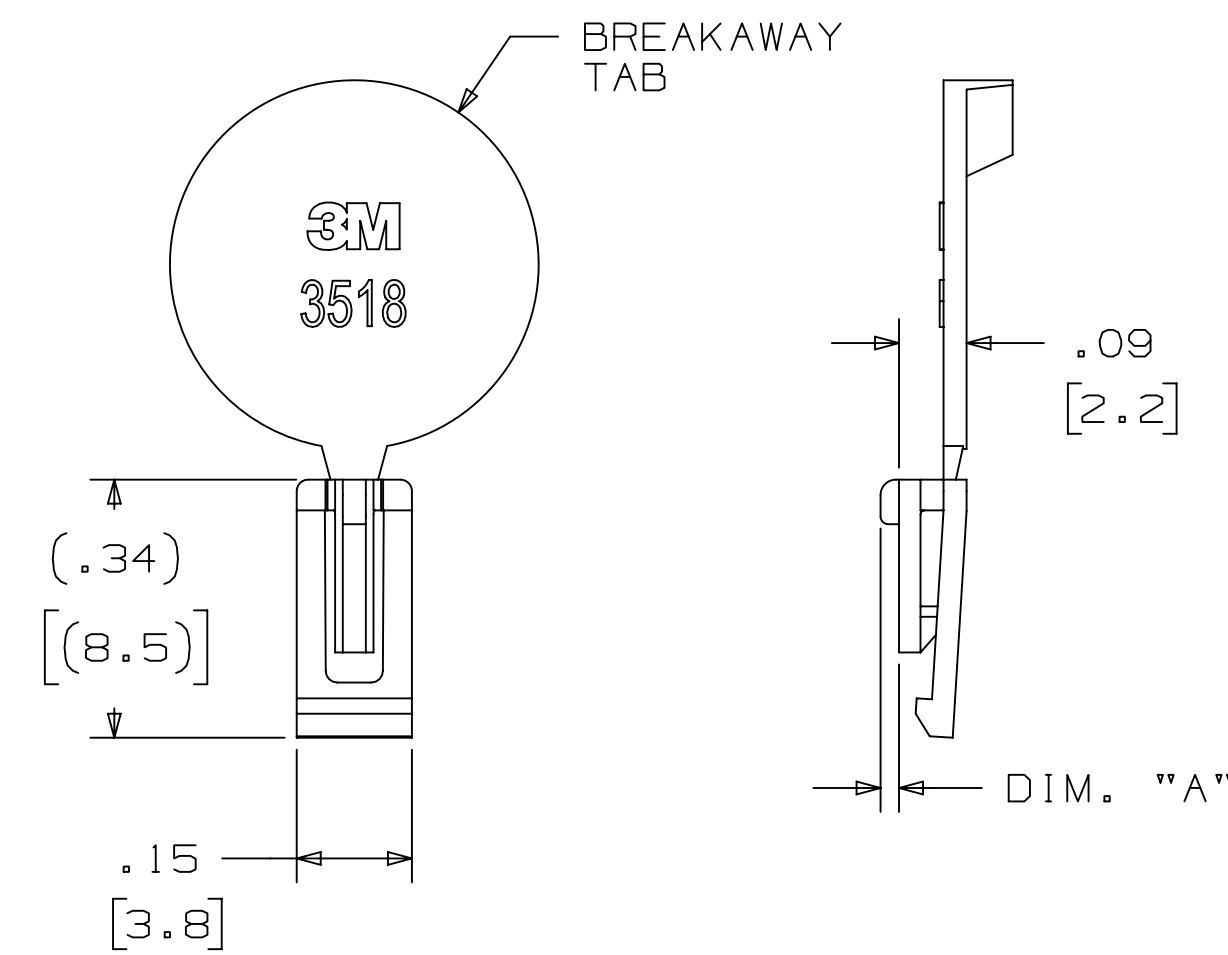
POLARIZING POST



3M PART NO.	MATERIAL	COLOR
3201-4	LCP	BLACK

NOTE:
INSERT POST INTO ONE MOUNTING HARDWARE HOLE ON BOTTOM OF HEADER. SET POST TO PROTRUDE .115 [2.92]

POLARIZING KEY



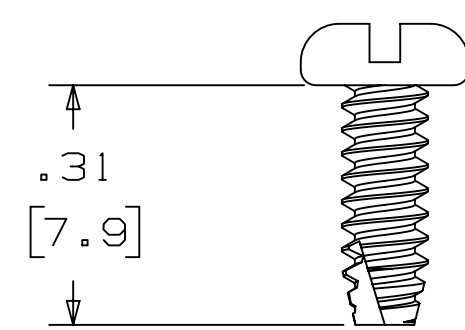
3M PART NO.	MATERIAL	COLOR	DIM. "A"
N3518	LCP	BLACK	.02

NOTE:
#2216 B/A SCOTCHWELD CAN BE USED TO ADHERE KEYS.

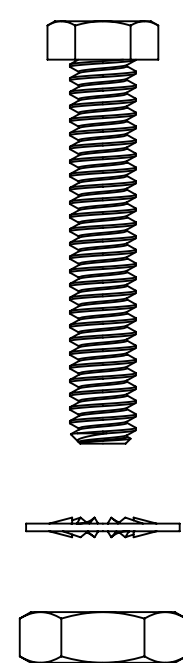
DESIGN REFERENCE	NEXT ASSEMBLY	REV	ECO	ISSUE DATE AND DESCRIPTION	DRFT	CHKD
		F	93619	JAN 07, 2021 REMOVE TIN LEAD PLATING	JNC	SAN
		E	56068	JUL 31, 2014 REVISED AND REDRAWN	JNC	RS
				ISSUE DATE AND DESCRIPTION	DRFT	CHKD
		DRFT	CASTIGLIONE	DATE JUL 31, 2014	MFG	DATE
		CHKD		DATE	APPV	DATE
					R. SCHERER	SEP 05, 2014
Division: Interconnect Solutions		Division Code: EMSD		© 3M COPYRIGHT 2021		
DO NOT SCALE DRAWING		SCALE: 4/1		This document and the information it contains are 3M property and may not be reproduced or further distributed without 3M permission, or used or disclosed other than for 3M authorized purposes. All rights reserved.		
THIRD ANGLE PROJECTION		TOLERANCES EXCEPT AS NOTED		3M Center St. Paul, MN 55144		
INTERPRET PER ASME Y14.5 - 2018		INCHES: .00 ± .01, .000 ± .005, .0000 ± .0002		TITLE: 4-WALL HDR, .100 X .100 LATCH/EJECT, STR, COMPLIANT PIN		
MAX SURFACE ROUGHNESS: ALL SURFACES MARKED ONLY		MILLIMETERS: 0 ± 2, .0 ± .3, .00 ± .13, .000 ± .005		CAGE NUMBER: D78-5100-0478-7		
		ANGLES: 1/16		REV. F		
				MODEL: 3400		
				DET: [] YES [X] NO SHT 3 OF 5		

3M™ FOUR-WALL HEADER, 3000 SERIES
 .100" X .100" LATCH/EJECTOR, STRAIGHT, COMPLIANT PIN

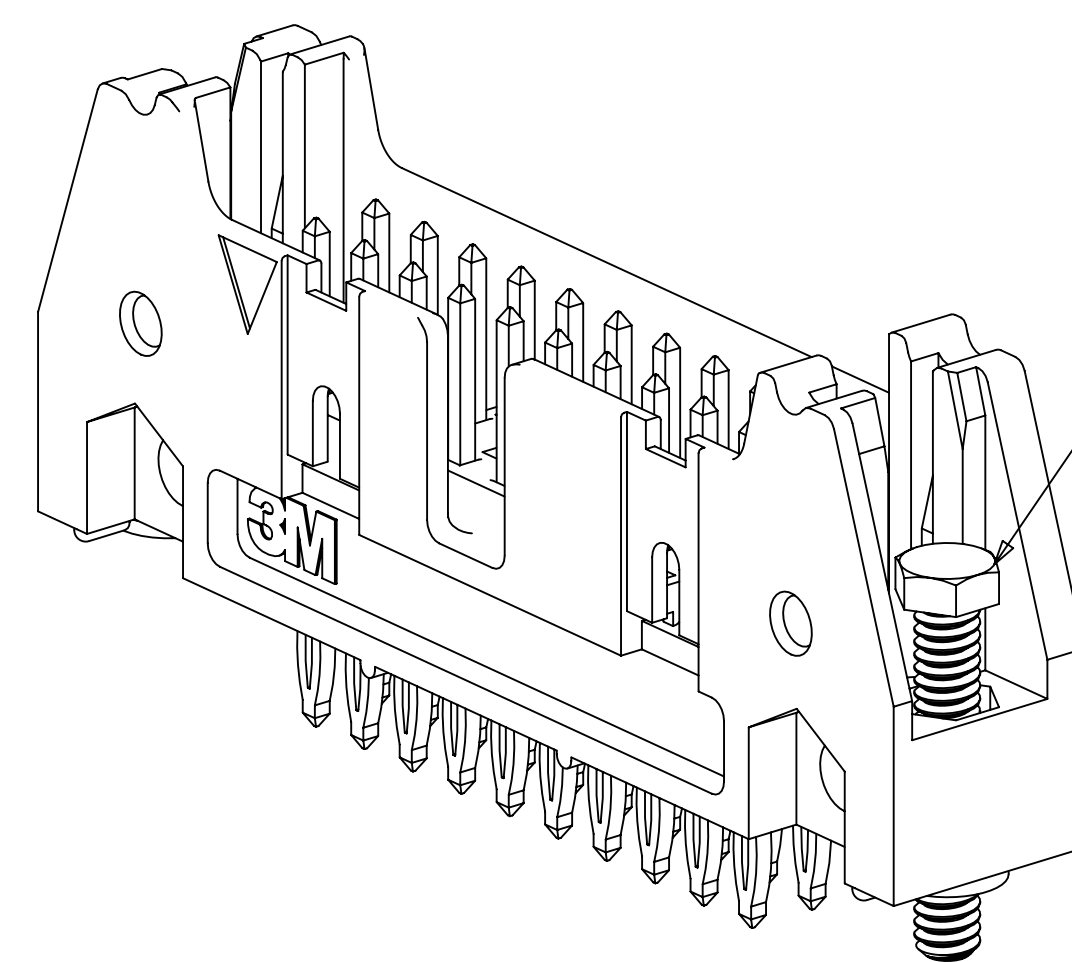
MOUNTING HARDWARE



3341-5
 (INSTALL FROM BOTTOM OF BOARD)
 SEE NOTE 4
 PANHEAD THREAD CUTTING SCREW:
 #4-24 X 5/16"
 TYPE: USA STD BT, FEDERAL BG
 MATERIAL: STAINLESS STEEL

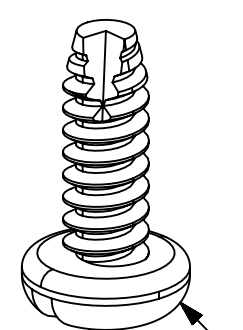
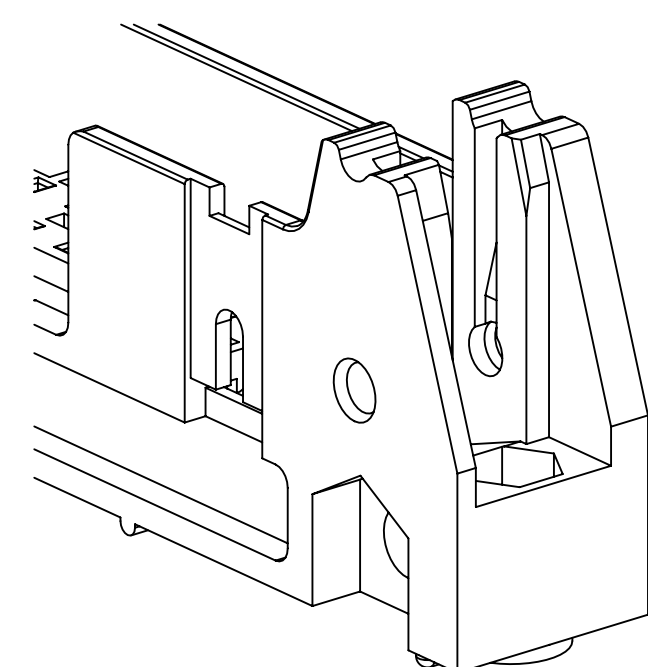
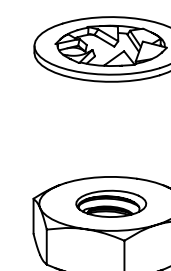


3341-6
 HEX HEAD BOLT, NUT AND WASHER:
 BOLT - #2-56 X 1/2"
 MATERIAL: STAINLESS STEEL



STRAIGHT VERSION INSTALL
 (MUST BE INSERTED PRIOR TO
 LATCH INSTALL)

3341-6
 #2-56 NUT AND BOLT



3341-5

#4-24 TYPE BT SELF THREADING SCREW
 WHEN USING LATCHES, MAXIMUM LENGTH
 OF SCREW IS .250 INCHES PLUS
 THICKNESS OF THE BOARD.

DESIGN REFERENCE		NEXT ASSEMBLY		REV	ECO	ISSUE DATE AND DESCRIPTION	DRFT	CHKD
F 93619		JAN 07, 2021 REMOVE TIN LEAD PLATING		JNC	SAN			
E 56068		JUL 31, 2014 REVISED AND REDRAWN		JNC	RS			
DRFT CASTIGLIONE		DATE JUL 31, 2014		MFG				
CHKD		DATE		APPV				
				R. SCHERER				DATE SEP 05, 2014
DIVISION Interconnect Solutions		DIVISION CODE EMSD		© 3M COPYRIGHT 2021 This document and the information it contains are 3M property and may not be reproduced or further distributed without 3M permission, or used or disclosed other than for 3M authorized purposes. All rights reserved.				
DO NOT SCALE DRAWING	SCALE 4 1	TOLERANCES EXCEPT AS NOTED		INCHES .0 ± .1 .00 ± .01 .000 ± .005 .0000 ± .0002				
THIRD ANGLE PROJECTION		MILLIMETERS		0 ± 2 .0 ± .3 .00 ± .13 .000 ± .005				
INTERPRET PER ASME Y14.5 - 2018		MAX SURFACE ROUGHNESS		ALL SURFACES .000 ± .005				
MARKED ONLY		ANGLES		MODEL 3400				
CAGE NUMBER		DRAWING NO.		REV.		DET [] YES [X] NO SHT 4 OF 5		
D		78-5100-0478-7		F				

8 7 6 5 4 3 2 1

3M™ FOUR-WALL HEADER, 3000 SERIES
 .100" X .100" LATCH/EJECTOR, STRAIGHT, COMPLIANT PIN

Regulatory: For regulatory information about this product, visit 3M.com/regs or contact your 3M representative.

Technical Information: The technical information, recommendations and other statements contained in this document are based upon tests or experience that 3M believes are reliable, but the accuracy or completeness of such information is not guaranteed.

Product Use: Many factors beyond 3M's control and uniquely within user's control can affect the use and performance of a 3M product in a particular application. Given the variety of factors that can affect the use and performance of a 3M product, user is solely responsible for evaluating the 3M product and determining whether it is fit for a particular purpose and suitable for user's method of application.

Warranty, Limited Remedy, and Disclaimer: Unless an additional warranty is specifically stated on the applicable 3M product packaging or product literature, 3M warrants that each 3M product meets the applicable 3M product specification at the time 3M ships the product. 3M MAKES NO OTHER WARRANTIES OR CONDITIONS, EXPRESS OR IMPLIED, INCLUDING, BUT NOT LIMITED TO, ANY IMPLIED WARRANTY OR CONDITION OF MERCHANTABILITY OR FITNESS FOR A PARTICULAR PURPOSE OR ANY IMPLIED WARRANTY OR CONDITION ARISING OUT OF A COURSE OF DEALING, CUSTOM OR USAGE OR TRADE. If the 3M product does not conform to this warranty, then the sole and exclusive remedy is, at 3M's option, replacement of the 3M product or refund of the purchase price.

Limitation of Liability: Except where prohibited by law, 3M will not be liable for any loss or damage arising from the 3M product, whether direct, indirect, special, incidental or consequential, regardless of the legal theory asserted, including warranty, contract, negligence or strict liability.

3M Company
 Electronics Materials Solutions Division
 13011 McCallen Pass, Bldg. C
 Austin, TX 78753-5380
 1-800-225-5373
 www.3M.com/interconnect

DESIGN REFERENCE	NEXT ASSEMBLY	REV	ECO	ISSUE DATE AND DESCRIPTION	DRFT	CHKD
DIVISION Interconnect Solutions		DIVISION CODE EMSD		DRFT CASTIGLIONE		
DO NOT SCALE DRAWING		SCALE 4 1		TOLERANCES EXCEPT AS NOTED		
THIRD ANGLE PROJECTION		INCHES .0 ± .1 .00 ± .01 .000 ± .005 .0000 ± .0002		DATE JUL 31, 2014		
INTERPRET PER ASME Y14.5 - 2018		MILLIMETERS 0 ± 2 .0 ± .3 .00 ± .13 .000 ± .005		DATE JUL 31, 2014		
MAX SURFACE ROUGHNESS ALL SURFACES		ANGLES		DATE SEP 05, 2014		
MARKED ONLY		MODEL 3400		DATE SEP 05, 2014		

F	93619	JAN 07, 2021	JNC	SAN
E	56068	JUL 31, 2014	JNC	RS
REMOVE TIN LEAD PLATING				
REVISED AND REDRAWN				

3M	St. Paul, MN 55144	© 3M COPYRIGHT 2021
This document and the information it contains are 3M property and may not be reproduced or further distributed without 3M permission, or used or disclosed other than for 3M authorized purposes. All rights reserved.		

TITLE	CAGE NUMBER	SIZE	DRAWING NO.	REV.
4-WALL HDR, .100 X .100 LATCH/EJECT, STR, COMPLIANT PIN	D		78-5100-0478-7	F

DET	LISTS	YES	NO	SHT	5	OF	5
-----	-------	-----	----	-----	---	----	---

78-5100-0478-7
DRAWING NUMBER
Revision