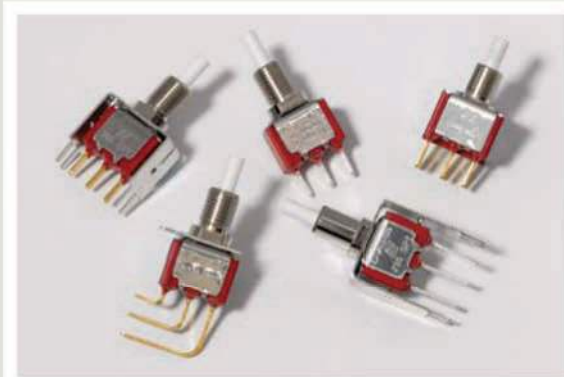




SERIES 700C SWITCHES

PUSHBUTTON SWITCHES - LATCHING



SPECIFICATIONS

Contact Rating:	Gold, 0.4 VA Max @ 20V (AC or DC) Max Silver, 3A @ 120 VAC or 28 VDC, 1A @ 250 VAC
Life Expectancy:	50,000 cycles
Contact Resistance:	20mΩ
Insulation Resistance:	1000MΩ
Dielectric Strength:	1000V RMS
Actuation Force:	SP7, 400 ±150 grams DP7, 600 ±150 grams
Operating Temperature:	-30°C to 85°C
Travel:	3.0 mm

FEATURES & BENEFITS

- ▶ Snap acting contact design
- ▶ Gold & silver contact options
- ▶ Multiple termination options
- ▶ Alternative action design

APPLICATIONS/MARKETS

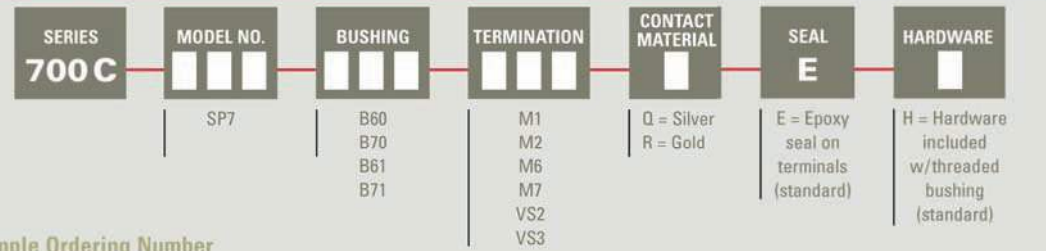
- ▶ Telecommunications
- ▶ Networking
- ▶ Computers/servers
- ▶ Performance audio
- ▶ Instrumentation
- ▶ Low power on/off designs
- ▶ External hard drives and modems

MATERIALS

Case:	DAP, UL94V0
Actuator:	Nylon, UL94V0
Frame:	Stainless steel
Contacts:	Brass, silver or gold plated
Terminals:	Silver or gold plated copper alloy



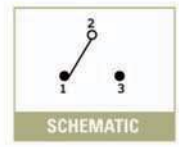
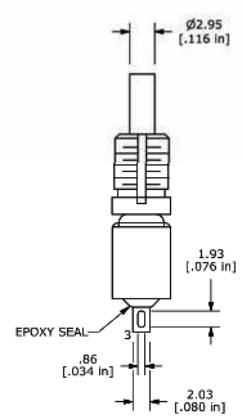
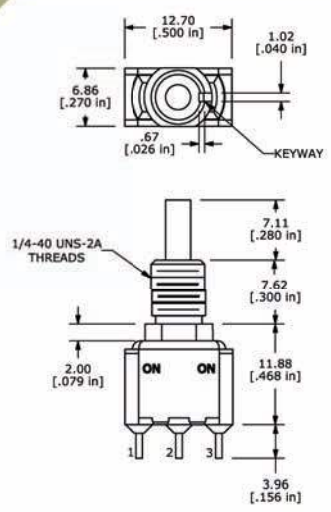
HOW TO ORDER



Example Ordering Number
700C-SP7-B60-M1-Q-E-H

Specifications subject to change without notice.

M1 SOLDER



TACT SWITCHES
NAVIGATION SWITCHES
PUSHBUTTON SWITCHES
TOGGLE SWITCHES
ROCKER SWITCHES
SLIDE SWITCHES
SNAP-ACTION SWITCHES
DIP SWITCHES
KEYLOCK SWITCHES
ROTARY SWITCHES
DETECTOR SWITCHES
CAP OPTIONS



SERIES 700C SWITCHES

PUSHBUTTON SWITCHES - LATCHING

TACT SWITCHES

NAVIGATION SWITCHES

PUSHBUTTON SWITCHES

TOGGLE SWITCHES

ROCKER SWITCHES

SLIDE SWITCHES

SNAP-ACTION SWITCHES

DIP SWITCHES

KEYLOCK SWITCHES

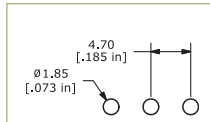
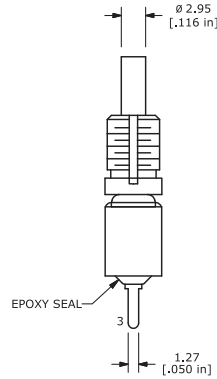
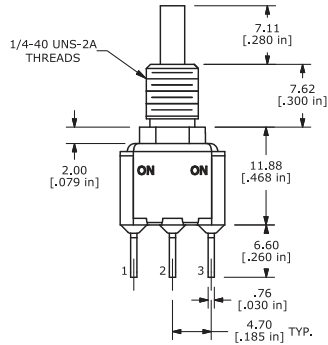
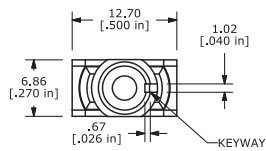
ROTARY SWITCHES

DETECTOR SWITCHES

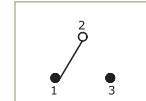
CAP OPTIONS

M2

PC



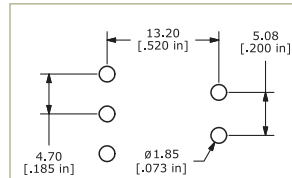
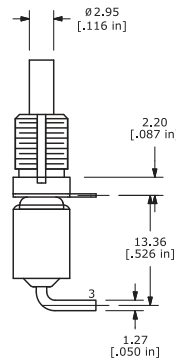
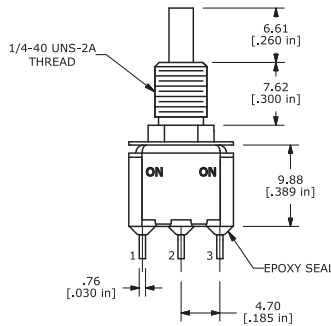
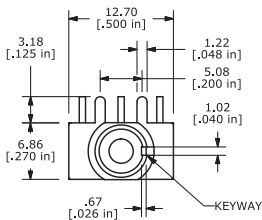
P.C. MOUNTING



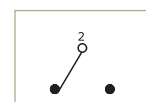
SCHEMATIC

M6

RIGHT ANGLE



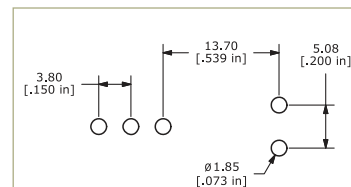
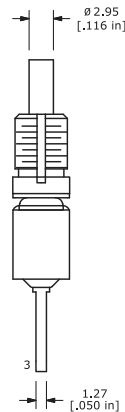
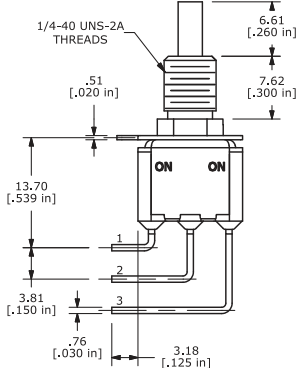
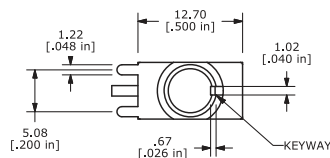
P.C. MOUNTING



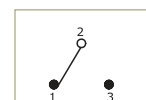
SCHEMATIC

M7

VERTICAL RIGHT ANGLE



P.C. MOUNTING

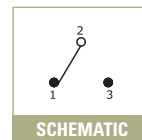
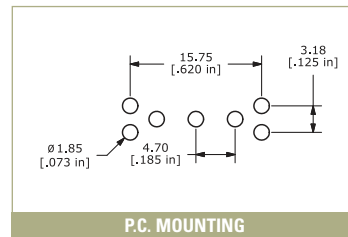
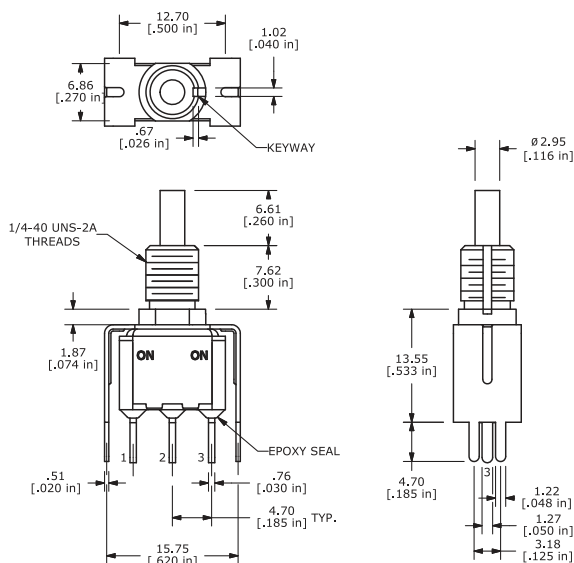


SCHEMATIC



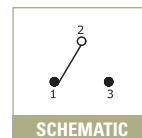
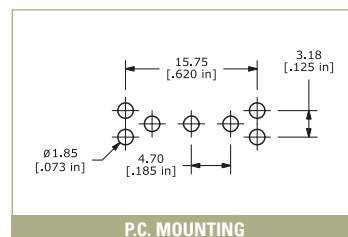
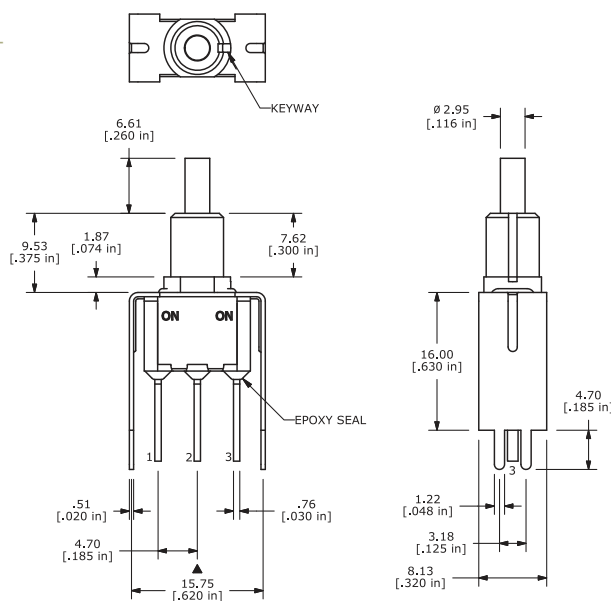
VS2

460 SUPPORT BRACKET



VS3

630 SUPPORT BRACKET



BUSHING OPTIONS

