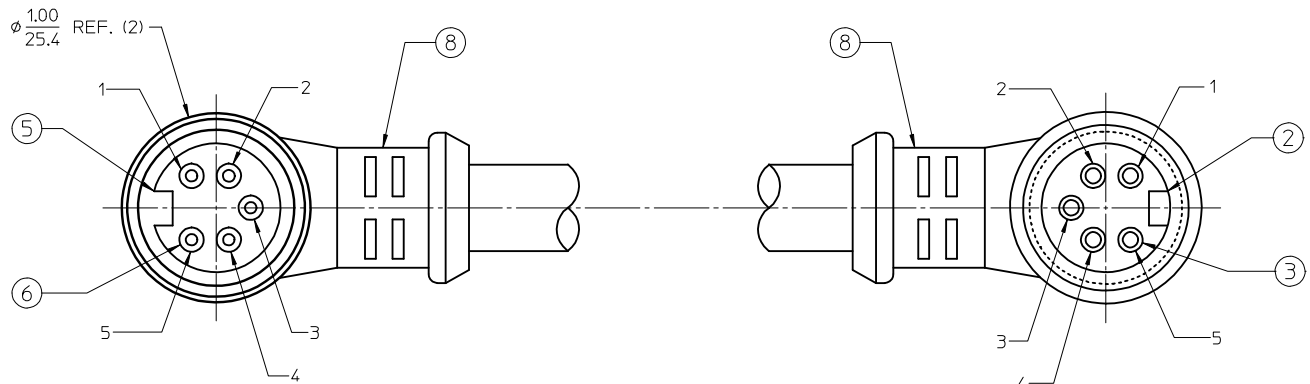
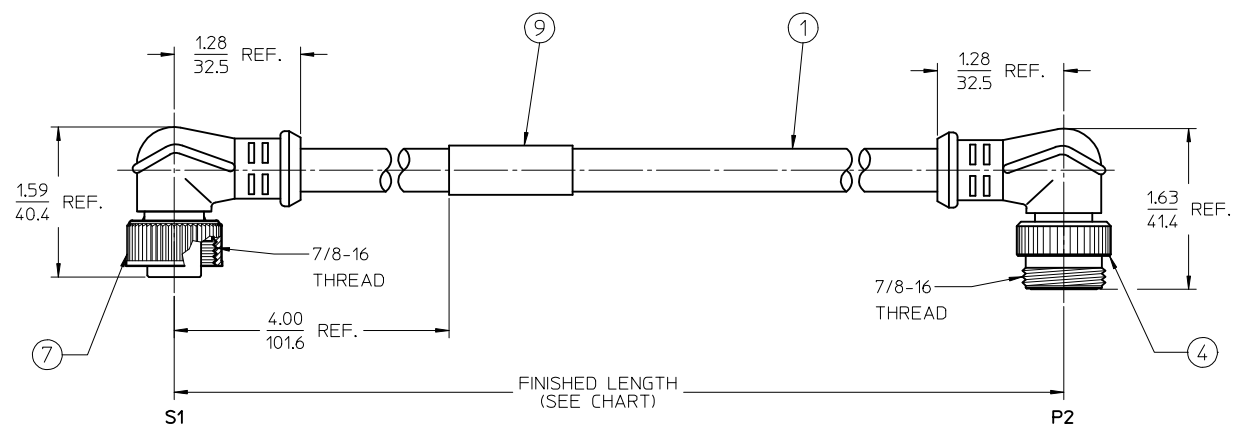


MATERIAL NO.	ENGINEERING NO.	FINISHED LENGTH
1300101748	115033K13M006	2'0" +1.75"-0 (0.6M +44.5mm-0)
1300100118	115033K13M010	3'3" +2.19"-0 (1.0M +55.6mm-0)
1300100119	115033K13M020	6'7" +3.50"-0 (2.0M +88.9mm-0)
1300100120	115033K13M030	9'10" +3.50"-0 (3.0M +88.9mm-0)
1300101752	115033K13M040	13'1" +6.50"-0 (4.0M +165.1mm-0)
1300100121	115033K13M050	16'5" +6.50"-0 (5.0M +165.1mm-0)

NOTES:

1. MATERIAL: SEE TABLE
2. FINISHES: SEE TABLE
3. ELECTRICAL SPECIFICATIONS
VOLTAGE RATING: 600V AC/DC
CURRENT RATING: 8 AMPS
4. PROTECTION: IP67
5. ASSEMBLY IS RoHS COMPLIANT BY EXEMPTION



Ⓢ PART LENGTH DEFINITION

115033K13M006

CABLE LENGTH
0.6 METERS = M006
1.0 METER = M010
10.0 METERS = M100

S1		P2	
1	WHITE	1	
2	RED	2	
3	GREEN/YELLOW	3	
4	ORANGE	4	
5	BLACK	5	

WIRING DIAGRAM

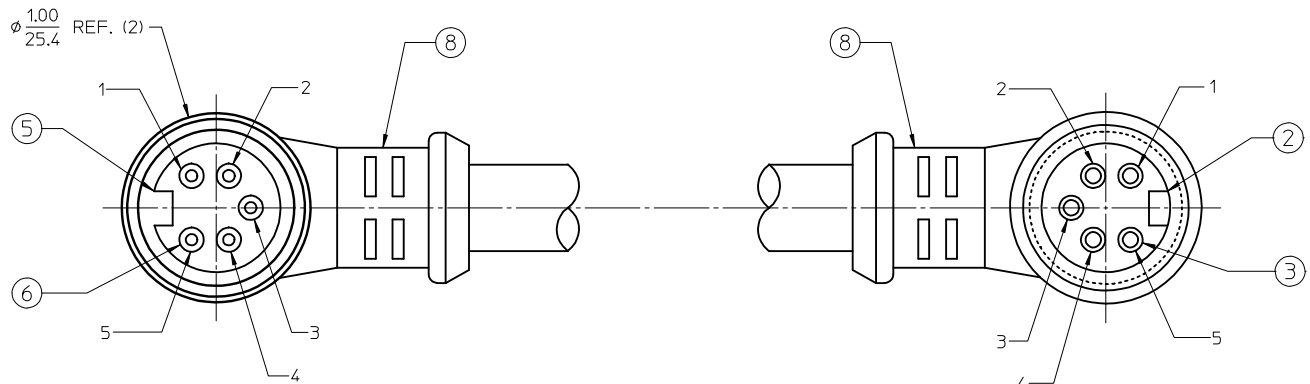
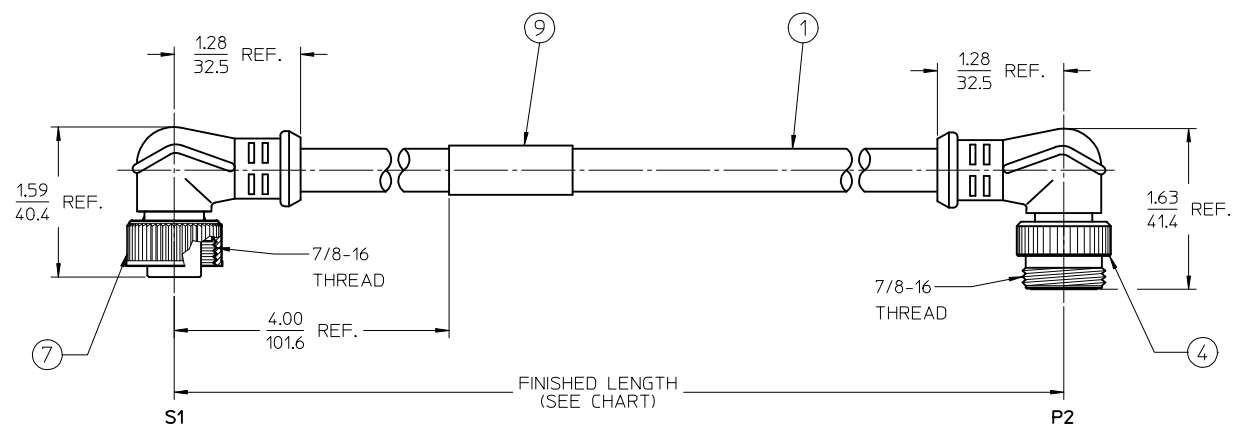
ITEM	QTY.	DESCRIPTION	MATERIAL	FINISH
9	1	WRAP LABEL	VINYL	BLACK/YELLOW
8	2	OVERMOLD-90 DEG	TPE	YELLOW
7	1	COUPLING RING-INT. THREAD	ZINC DIE-CAST	BLACK
6	5	CONTACT SOCKET	Cu ALLOY	GOLD PLATED
5	1	INSERT, 5P-FEMALE	TPE	YELLOW
4	1	COUPLING RING-EXT. THREAD	ZINC DIE-CAST	BLACK
3	5	CONTACT PIN	Cu ALLOY	GOLD PLATED
2	1	INSERT, 5P-MALE	TPE	YELLOW
1	A/R	CABLE 5/C, 16 AWG (1.5mm ²)	TPE JACKET	YELLOW

ADD P/N TABLE EC NO: IPG2013-1933 DRAWN BY: DRWINRSTONE 2013/06/12 CHKD: CHPKD APPR: BWOODMAN 2013/06/26	QUALITY SYMBOLS ▽=0 ▽=0	GENERAL TOLERANCES (UNLESS SPECIFIED)		DIMENSION STYLE IN/MM	SCALE 1:1	DESIGN UNITS INCH	THIRD ANGLE PROJECTION
		4 PLACES ± --- ± --- 3 PLACES ± --- ± --- 2 PLACES ± --- ± .01 1 PLACE ± 0.3 ± --- 0 PLACE ± --- ± ---	mm INCH	DRAWN BY: RSTONE DATE: 2013/03/11 CHECKED BY: K JOZWIK DATE: 2013/03/15 APPROVED BY: JFMURPHY DATE: 2013/04/25	TITLE MINI-CHANGE CABLE ASSY. 5P MALE/FEMALE 90 DEG 16 AWG, TPE		
		ANGULAR ± 2 °		MATERIAL NO. SEE CHART	DOCUMENT NO. SD-130010-027	SHEET NO. 1 OF 1	
		DRAFT WHERE APPLICABLE MUST REMAIN WITHIN DIMENSIONS					

MATERIAL NO.	ENGINEERING NO.	FINISHED LENGTH
1300101748	115033K13M006	2'0" +1.75"-0 (0.6M +44.5mm-0)
1300100118	115033K13M010	3'3" +2.19"-0 (1.0M +55.6mm-0)
1300100119	115033K13M020	6'7" +3.50"-0 (2.0M +88.9mm-0)
1300100120	115033K13M030	9'10" +3.50"-0 (3.0M +88.9mm-0)
1300101752	115033K13M040	13'1" +6.50"-0 (4.0M +165.1mm-0)
1300100121	115033K13M050	16'5" +6.50"-0 (5.0M +165.1mm-0)

NOTES:

1. MATERIAL: SEE TABLE
2. FINISHES: SEE TABLE
3. ELECTRICAL SPECIFICATIONS
VOLTAGE RATING: 600V AC/DC
CURRENT RATING: 8 AMPS
4. PROTECTION: IP67
5. ASSEMBLY IS RoHS COMPLIANT BY EXEMPTION



Ⓢ PART LENGTH DEFINITION

115033K13M006

CABLE LENGTH
0.6 METERS = M006
1.0 METER = M010
10.0 METERS = M100

FEMALE FACE VIEW
SCALE: 2X

MALE FACE VIEW
SCALE: 2X

S1		P2	
1	WHITE	1	
2	RED	2	
3	GREEN/YELLOW	3	
4	ORANGE	4	
5	BLACK	5	

WIRING DIAGRAM

ITEM	QTY.	DESCRIPTION	MATERIAL	FINISH
9	1	WRAP LABEL	VINYL	BLACK/YELLOW
8	2	OVERMOLD-90 DEG	TPE	YELLOW
7	1	COUPLING RING-INT. THREAD	ZINC DIE-CAST	BLACK
6	5	CONTACT SOCKET	Cu ALLOY	GOLD PLATED
5	1	INSERT, 5P-FEMALE	TPE	YELLOW
4	1	COUPLING RING-EXT. THREAD	ZINC DIE-CAST	BLACK
3	5	CONTACT PIN	Cu ALLOY	GOLD PLATED
2	1	INSERT, 5P-MALE	TPE	YELLOW
1	A/R	CABLE 5/C, 16 AWG (1.5mm ²)	TPE JACKET	YELLOW

ADD P/N TABLE EC NO: IPG2013-1933 DRAWN BY: DRWINRSTONE 2013/06/12 CHKD: CHPKD 2013/06/26 APPR: BWOODMAN 2013/06/26	QUALITY SYMBOLS ▽=0 ▽=0	GENERAL TOLERANCES (UNLESS SPECIFIED)		DIMENSION STYLE IN/MM	SCALE 1:1	DESIGN UNITS INCH	THIRD ANGLE PROJECTION
		4 PLACES ± --- ± --- 3 PLACES ± --- ± --- 2 PLACES ± --- ± .01 1 PLACE ± 0.3 ± --- 0 PLACE ± --- ± ---	mm INCH	DRAWN BY: RSTONE DATE: 2013/03/11 CHECKED BY: K JOZWIK DATE: 2013/03/15 APPROVED BY: JFMURPHY DATE: 2013/04/25	TITLE MINI-CHANGE CABLE ASSY. 5P MALE/FEMALE 90 DEG 16 AWG, TPE		
		ANGULAR ± 2 °		MATERIAL NO. SEE CHART	DOCUMENT NO. SD-130010-027	SHEET NO. 1 OF 1	
		DRAFT WHERE APPLICABLE MUST REMAIN WITHIN DIMENSIONS					