

# IP Desktop

Professional USB desktop controllers •  
non-contacting Hall effect technology



## DISTINCTIVE FEATURES

- Three axis for PTZ control
- USB 2.0 HID compliant “game controller”
- 12 momentary pushbuttons
- Easy to install and operate
- Available in two color options



## ENVIRONMENTAL SPECIFICATIONS

- Operating Temperature: -25 °C to +85 °C (-13 °F to +185 °F)
- Storage Temperature: -25 °C to +85 °C (-13 °F to +185 °F)
- Sealing: None
- EMC Immunity Level: CE compliant, EMC directive 2004/108/EC, FCC Part 15 Subpart B, Class B
- EMC Immunity Level: CE compliant, EMC directive 2004/108/EC, FCC Part 15 Subpart B, Class B



## MECHANICAL SPECIFICATIONS

- Operating Force: 2.8 N (0.63 lbf)
- Maximum Vertical Load: 200 N (45 lbf)
- Maximum Horizontal Load: 200 N (45 lbf)
- Mechanical Angle of Movement: 36° X & Y axis, 60° Z axis
- Expected Mechanical Life: 3 million lifecycles
- Mass/weight: 440 g (0.97 oz)
- Lever Action (centering): Spring



## MATERIALS

- Body: ABS
- Shaft: Stainless steel
- Boot: Silicone
- Handle: Glass filled nylon

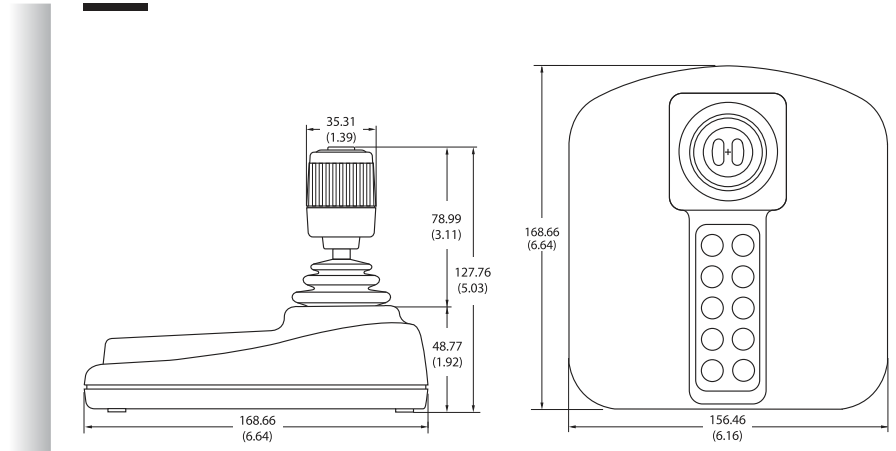
The company reserves the right to change specifications without notice.



# IP desktop

Professional USB desktop controllers •  
non-contacting Hall effect technology

## DIMENSIONS



### NOTES:

Dimensions are in mm/(inch).

To order the IP Desktop please refer to the following part numbers:

100550BLKRF (Black)

100550GRYRF (Gray).