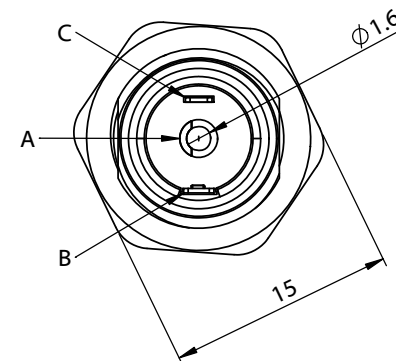
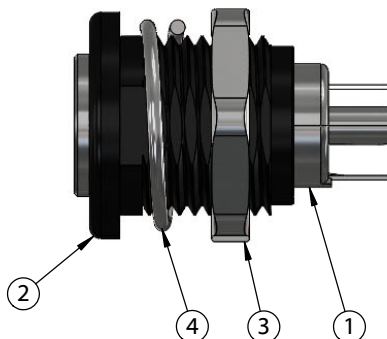
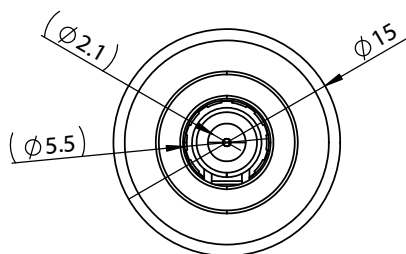
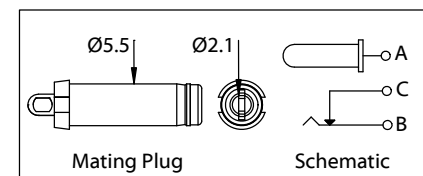
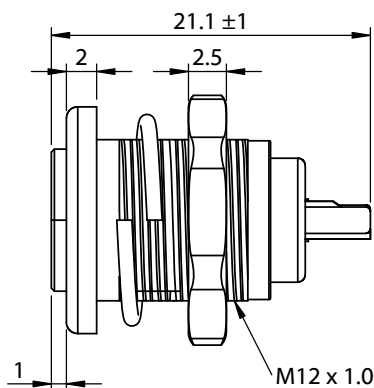
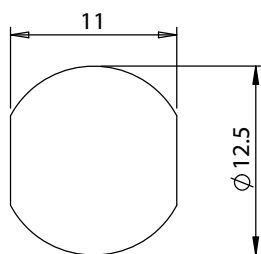


ITEM NO.	PART NUMBER	DESCRIPTION	QTY.	NOTES
1	50-01002	Connector, dc jack, 5.5x2.1xL22.0 mm, nickel plating, molding style, switch	1	
2	24-00387	Overmold, jack, Ø15 mm, panel mount, M12x1.0	1	LCP, black
3	56-00024	Hardware, nut, hex, 15x2.5 mm, M12x1.0, brass, nickel plated	1	
4	56-00025	Hardware, washer, lock, M12, nickel plated	1	

**Installation Details**

Panel thickness: 4.5 mm max  
Recommended panel cutout:



Revision:	Date:	Description:	Prepared:	Notes:	<h1>TENSILITY</h1> tel 1.541.323.3228 800 877.670.7118 fax 1.541.323.4202 web tensility.com
A	8/16/2022	Initial release	MP <small>Digitally signed by MP Date: 2022.08.22 13:45:41 -07'00'</small>		
			Verified:	Function test: no open, no short circuit, no intermittent	Size:
			JD <small>Digitally signed by JD Date: 2022.08.22 13:46:33 -07'00'</small>	Description:	Part number:
			Dimensions are in millimeters. Tolerances: X: ± 0.5 mm X.X: ± 0.3 mm X.XX: ± 0.05 mm	Connector, dc jack w/switch, 5.5x2.1xL22 mm, panel mount, threaded, nut and washer	A 54-00311
					Scale: 2:1
					Sheet 1 of 2

5



4

3

2

1

**Ratings**

Voltage: 48 Vdc  
Current: 9 A

**Operating Temperature Range**

-50° to 200°C

**Electrical Requirements**

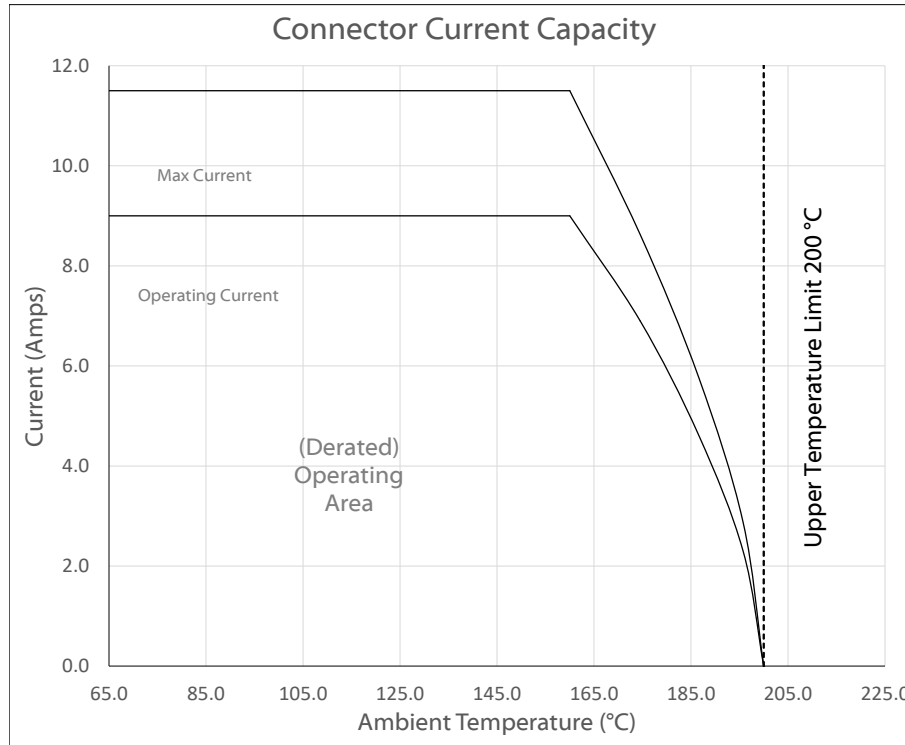
Dielectric strength: 1 min @ 500 Vac  
Insulation resistance: 100 MΩ @ 500 Vdc  
Contact resistance: 30 mΩ or less

**Mechanical Requirements**

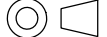
Insertion force: 0.4-4 kgf  
Withdrawal force: 0.4-4 kgf  
Life cycle: 5000 mating cycles while maintaining 0.4 kgf min. insertion force, 0.4 kgf min. withdrawal force and less than 100 mΩ contact resistance.

**Environmental Requirements**

Cold test: -25 ±3 °C for 48 hours without deformation  
Heat test: 70 ±2 °C, relative humidity 70-85% for 48 hours without deformation  
Humidity test: 40 ±2 °C, relative humidity 90-95% for 48 hours without deformation



Testing based on IEC 60512-5-2. Max current curve generated with isolated test article under controlled environmental conditions, based on a 40°C temperature rise difference. Test does not take into account external factors such as housings, mating cables, or other circuitry. Operating current curve (derated by 20% of maximum values) accounts for external factors, and manufacturing variation.

Revision:	Date:	Description:	Prepared:	Notes: RoHS compliant	<h1>TENSILITY</h1> <p>tel 1.541.323.3228 800 877.670.7118 fax 1.541.323.4202 web tensility.com</p>
A	8/16/2022	Initial release	Verified:		
			Dimensions are in millimeters. Tolerances: X: ± 0.3 mm X.X: ± 0.1 mm X.XX: ± 0.05 mm	Description: Connector, dc jack w/switch, 5.5x2.1xL22 mm, panel mount, threaded, nut and washer	Size: A Part number: 54-00311
					Scale: 2:1  Sheet 2 of 2