

TL28L92

3.3-V/5-V Dual Universal Asynchronous Receiver/Transmitter

Data Manual



PRODUCTION DATA information is current as of publication date. Products conform to specifications per the terms of the Texas Instruments standard warranty. Production processing does not necessarily include testing of all parameters.

Literature Number: SLLS890B
August 2008—Revised August 2009

Contents

1	General Description	7
1.1	Features	7
1.2	Description	7
1.3	Device Information	9
2	Functional Description	17
2.1	Block Diagram	17
2.1.1	Data Bus Buffer	17
2.1.2	Operation Control	17
2.1.3	Interrupt Control	17
2.1.4	FIFO Configuration	17
2.1.5	68xxx Mode	17
2.2	Timing Circuits	18
2.2.1	Crystal Clock	18
2.2.2	Baud Rate Generator	18
2.2.3	Counter/Timer	18
2.2.4	Timer Mode	18
2.2.5	Counter Mode	19
2.2.6	Time-Out Mode	19
2.2.7	Time-Out Mode Caution	20
2.2.8	Communications Channels A and B	20
2.2.9	Input Port	20
2.2.10	Output Port	20
2.3	Operation	21
2.3.1	Transmitter	21
2.3.2	Receiver	21
2.3.3	Transmitter Reset and Disable	22
2.3.4	Receiver FIFO	22
2.3.5	Receiver Status Bits	22
2.3.6	Receiver Reset and Disable	23
2.3.7	Watchdog	23
2.3.8	Receiver Time-Out Mode	23
2.3.9	Time-Out Mode Caution	24
2.3.10	Multi-Drop Mode (9-Bit or Wake-Up)	24
3	Programming	25
3.1	Register Overview	25
3.2	Condensed Register Bit Formats	27
3.3	Register Descriptions	29
3.3.1	Mode Registers	29
3.3.1.1	Mode Register 0 Channel A (MR0A)	29
3.3.1.2	Mode Register 1 Channel A (MR1A)	31
3.3.1.3	Mode Register 2 Channel A (MR2A)	32
3.3.1.4	Mode Register 0 Channel B (MR0B)	35
3.3.1.5	Mode Register 1 Channel B (MR1B)	35
3.3.1.6	Mode Register 2 Channel B (MR2B)	35
3.3.2	Clock Select Registers	35

3.3.2.1	Clock Select Register Channel A (CSRA)	35
3.3.2.2	Clock Select Register Channel B (CSRB)	37
3.3.3	Command Registers	37
3.3.3.1	Command Register Channel A (CRA)	37
3.3.3.2	Command Register Channel B (CRB)	38
3.3.4	Status Registers	39
3.3.4.1	Status Register Channel A (SRA)	39
3.3.4.2	Status Register Channel B (SRB)	40
3.3.5	Output Configuration Control Register (OPCR)	40
3.3.6	Set Output Port Bits Register (SOPR)	41
3.3.7	Reset Output Port Bits Register (ROPR)	42
3.3.8	Output Port Register (OPR)	43
3.3.9	Auxiliary Control Register (ACR)	43
3.3.10	Input Port Change Register (IPCR)	44
3.3.11	Interrupt Status Register (ISR)	44
3.3.12	Interrupt Mask Register (IMR)	45
3.3.13	Interrupt Vector Register (IVR; 68xxx Mode) or General Purpose Register (GP; 80xxx Mode)	46
3.3.14	Counter/Timer Registers	47
3.4	Output Port Notes	48
3.5	CTS, RTS, CTS Enable Tx Signals	48
4	Electrical Specifications	49
4.1	ABSOLUTE MAXIMUM RATINGS	49
4.2	STATIC CHARACTERISTICS FOR 5-V OPERATION	49
4.3	STATIC CHARACTERISTICS FOR 3.3-V OPERATION	50
4.4	DYNAMIC CHARACTERISTICS FOR 5-V OPERATION	51
4.5	DYNAMIC CHARACTERISTICS FOR 3.3-V OPERATION	53
5	Diagrams	55
5.1	Typical Performance	55
5.2	Timing Diagrams	55
5.3	Test Information	62

List of Figures

1-1	Block Diagram (80xxx Mode)	10
1-2	Block Diagram (68xxx Mode)	11
2-1	19
5-1	Port Timing as a Function of Capacitive Loading at Typical Conditions	55
5-2	Reset Timing	56
5-3	Bus Timing (80xxx Mode)	56
5-4	Bus Timing, Read Cycle (68xxx Mode)	57
5-5	Bus Timing, Write Cycle (68xxx Mode).....	57
5-6	Interrupt Cycle Timing (68xxx Mode)	58
5-7	Port Timing	58
5-8	Interrupt Timing (80xxx Mode).....	59
5-9	Clock Timing	59
5-10	Transmitter External Clocks.....	60
5-11	Receiver External Clocks.....	60
5-12	Transmitter Timing	61
5-13	Receiver Timing	61
5-14	Wake-Up Mode Timing	62

List of Tables

1-1	PIN DESCRIPTION FOR 80xxx INTERFACE.....	13
1-2	PIN DESCRIPTION FOR 68xxx INTERFACE.....	15
3-1	TL28L92 Register Addressing READ (RDN = 0), WRITE (WRN = 0).....	25
3-2	Registers for Channels A and B.....	27
3-3	Registers Supporting Both Channels	27
3-4	Mode Register 0 (MR0).....	27
3-5	Mode Register 1 (MR1).....	27
3-6	Mode Register 2 (MR2).....	27
3-7	Clock Select Register (CSR).....	28
3-8	Command Register (CR).....	28
3-9	Channel Status Register (SR)	28
3-10	Interrupt Mask Register (Enables Interrupts) (IMR).....	28
3-11	Interrupt Status Register (ISR)	28
3-12	Counter/Timer Preset Register, Upper (CTPU)	28
3-13	Counter/Timer Preset Register, Lower (Enables Interrupts) (CTPL)	28
3-14	Auxiliary Control Register and Change of State Control (ACR).....	28
3-15	Input Port Change Register (IPCR).....	28
3-16	Input Port Register (IPR)	29
3-17	Set Output Port Bits Register (SOPR).....	29
3-18	Reset Output Port Bits Register (ROPR).....	29
3-19	Output Port Configuration Register (OPCR)	29
3-20	Mode Register 0 Channel A (MR0A) (Address 0x0) Bit Allocation	29
3-21	Mode Register 0 Channel A (MR0A) (Address 0x0) Bit Description	29
3-22	Receiver FIFO Interrupt Fill Level	31
3-23	Transmitter FIFO Interrupt Fill Level	31
3-24	Mode Register 1 Channel A (MR1A) (Address 0x0) Bit Allocation	31
3-25	Mode Register 1 Channel A (MR1A) (Address 0x0) Bit Description	32
3-26	Mode Register 2 Channel A (MR2A) (Address 0x0) Bit Allocation	32
3-27	Mode Register 2 Channel A (MR2A) (Address 0x0) Bit Description	33
3-28	DUART Mode Description.....	34
3-29	Stop Bit Length	34
3-30	Clock Select Register Channel A (CSRA) (Address 0x1) and Clock Select Register Channel B (CSRB) (Address 0x9) Bit Allocation	35
3-31	Clock Select Register Channel A (CSRA) (Address 0x1) Bit Description	35
3-32	Baud Rate (Based on a 3.6864 MHz Crystal Clock)	36
3-33	Bit Rate Generator Characteristics	36
3-34	Clock Select Register Channel B (CSRB) (Address 0x1) Bit Description	37
3-35	Command Register Channel A (CRA) (Address 0x2) and Command Register Channel B (CRB) (Address 0xA) Bit Allocation	37
3-36	Command Register Channel A (CRA) (Address 0x2) Bit Description	37
3-37	Miscellaneous Commands	38
3-38	Status Register Channel A (SRA) (Address 0x1) Bit Allocation.....	39
3-39	Status Register Channel A (SRA) (Address 0x1) Bit Description.....	39
3-40	Status Register Channel B (SRB) (Address 0x9) Bit Allocation.....	40
3-41	Output Configuration Control Register (OPCR) (Address 0xD) Bit Allocation.....	40
3-42	Output Configuration Control Register (OPCR) (Address 0xD) Bit Description.....	40
3-43	Set Output Port Bits Register (SOPR) (Address 0xE) Bit Allocation	41

3-44	Set Output Port Bits Register (SOPR) (Address 0xE) Bit Description	41
3-45	Reset Output Port Bits Register (ROPR) (Address 0xF) Bit Allocation	42
3-46	Reset Output Port Bits Register (ROPR) (Address 0xF) Bit Description	42
3-47	Output Port Bits Register (OPR) (No Address) Bit Allocation	43
3-48	Output Port Bits Register (OPR) (Address 0xF) Bit Description	43
3-49	Auxiliary Control Register (ACR) (Address 0x4) Bit Allocation	43
3-50	Auxiliary Control Register (ACR) (Address 0x4) Bit Description	43
3-51	ACR[6:4] Field Definition	44
3-52	Input Port Change Register (IPCR) (Address 0x4) Bit Allocation	44
3-53	Input Port Change Register (IPCR) (Address 0x4) Bit Description	44
3-54	Interrupt Status Register (ISR) (Address 0x5) Bit Allocation	45
3-55	Interrupt Status Register (ISR) (Address 0x5) Bit Description	45
3-56	Interrupt Mask Register (IMR) (Address 0x5) Bit Allocation	46
3-57	Interrupt Mask Register (IMR) (Address 0x5) Bit Description	46
3-58	Interrupt Vector Register (IVR; 68xxx Mode) or General Purpose Register (GP; 80xxx Mode) (Address 0xc) Bit Allocation	46
3-59	Counter/Timer Preset Upper (CTPU) (Address 0x6) Bit Description	47
3-60	Counter/Timer Preset Lower (CTPL) (Address 0x7) Bit Description	47

3.3-V/5-V Dual Universal Asynchronous Receiver/Transmitter

Check for Samples: [TL28L92](#)

1 General Description

1.1 Features

- **SC28L92 Pin Compatible**
- **3.3 V to 5.0 V, –40°C to 85°C and 68xxx or 80xxx Bus Interface**
- **Dual Full-Duplex Independent Asynchronous Receiver/Transmitters 16 Character FIFOs for Each Receiver and Transmitter**
- **Pin Programming Selects 68xxx or 80xxx Bus Interface**
- **Programmable Data Format**
 - 5 Data to 8 Data Bits Plus Parity
 - Odd, Even, No Parity or Force Parity
 - 1 Stop, 1.5 Stop or 2 Stop Bits Programmable in 1/16-Bit Increments
- **16-Bit Programmable Counter/Timer**
- **Programmable Baud Rate for Each Receiver and Transmitter Selectable From:**
 - 28 Fixed Rates: 50 Bd to 230.4 kBd
 - Other Baud Rates to 1 MHz at 16x
 - Programmable User-Defined Rates Derived From a Programmable Counter/Timer
 - External 1x or 16x Clock
- **Parity, Framing, and Overrun Error Detection**
- **False Start Bit Detection**
- **Line Break Detection and Generation**
- **Programmable Channel Mode**
 - Normal (Full-Duplex)
 - Automatic Echo
 - Local Loopback
 - Remote Loopback
 - Multi-Drop Mode (Also Called Wake-Up or 9-Bit)
- **Multi-Function 7-Bit Input Port (Includes IACKN)**
 - Can Serve as Clock or Control Inputs
 - Change of State Detection on Four Inputs Inputs Have Typically > 100 kΩ Pullup Resistors
 - Change of State Detectors for Modem Control
- **Multi-Function 8-Bit Output Port**
 - Individual Bit Set/Reset Capability
 - Outputs Can Be Programmed to Be Status/Interrupt Signals
 - FIFO Status for DMA Interface
- **Versatile Interrupt System**
 - Single Interrupt Output With Eight Maskable Interrupting Conditions
 - Output Port Can be Configured to Provide a Total of up to Five Separate Interrupt Outputs That May be Wire ORed
 - Each FIFO Can be Programmed for Four Different Interrupt Levels
 - Watchdog Timer for Each Receiver
- **Maximum Data Transfer Rates: 1x – 1 Mbit/s, 16x – 1 Mbit/s**
- **Automatic Wake-Up Mode for Multi-Drop Applications**
- **Start-End Break Interrupt/Status**
- **Detects Break Which Originates in the Middle of a Character**
- **On-Chip Crystal Oscillator**
- **Powerdown Mode**
- **Receiver Time-Out Mode**
- **Single 3.3 V or 5 V Power Supply**
- **Powers up to Emulate SC26C92**
- **Meets or Exceeds JEDEC 14C ESD Requirements**

1.2 Description

The TL28L92 is a pin and function replacement for the SC26C92 operating at 3.3 V or 5 V supply with added features and deeper FIFOs. Its configuration on power-up is that of the SC26C92. Its differences from the SC26C92 are: 16 character receiver, 16 character transmit FIFOs, watchdog timer for each receiver, mode register 0 is added, extended baud rate and overall faster speeds, programmable receiver and transmitter interrupts.



Please be aware that an important notice concerning availability, standard warranty, and use in critical applications of Texas Instruments semiconductor products and disclaimers thereto appears at the end of this data sheet.

Pin programming will allow the device to operate with either the Motorola or Intel bus interface. The bit 3 of the MR0A register allows the device to operate in an 8 byte FIFO mode if strict compliance with the SC26C92 FIFO structure is required.

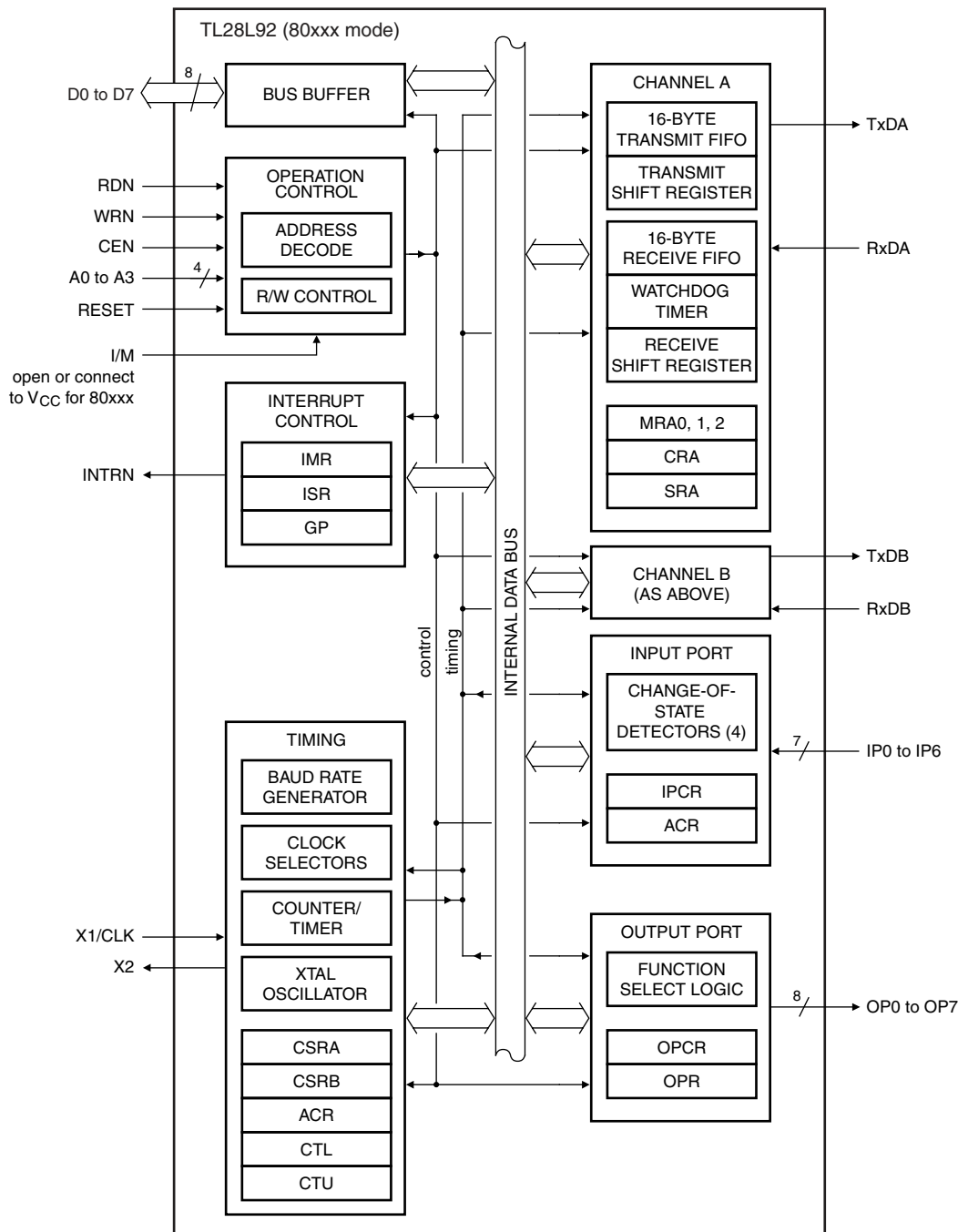
The Texas Instruments TL28L92 Dual Universal Asynchronous Receiver/Transmitter (DUART) is a single-chip CMOS-LSI communications device that provides two full-duplex asynchronous receiver/transmitter channels in a single package. It interfaces directly with microprocessors and may be used in a polled or interrupt driven system with modem and DMA interface.

The operating mode and data format of each channel can be programmed independently. Additionally, each receiver and transmitter can select its operating speed as one of 28 fixed baud rates; a 16× clock derived from a programmable counter/timer, or an external 1× or 16× clock. The baud rate generator and counter/timer can operate directly from a crystal or from external clock inputs. The ability to independently program the operating speed of the receiver and transmitter make the DUART particularly attractive for dual-speed channel applications such as clustered terminal systems.

Each receiver and transmitter is buffered by 8 or 16 character FIFOs to minimize the potential of receiver overrun, transmitter underrun and to reduce interrupt overhead in interrupt driven systems. In addition, a flow control capability is provided via RTS/CTS signaling to disable a remote transmitter when the receiver buffer is full. Also provided on the TL28L92 are a multipurpose 7-bit input port and a multipurpose 8-bit output port. These can be used as general purpose I/O ports or can be assigned specific functions (such as clock inputs or status/interrupt outputs) under program control.

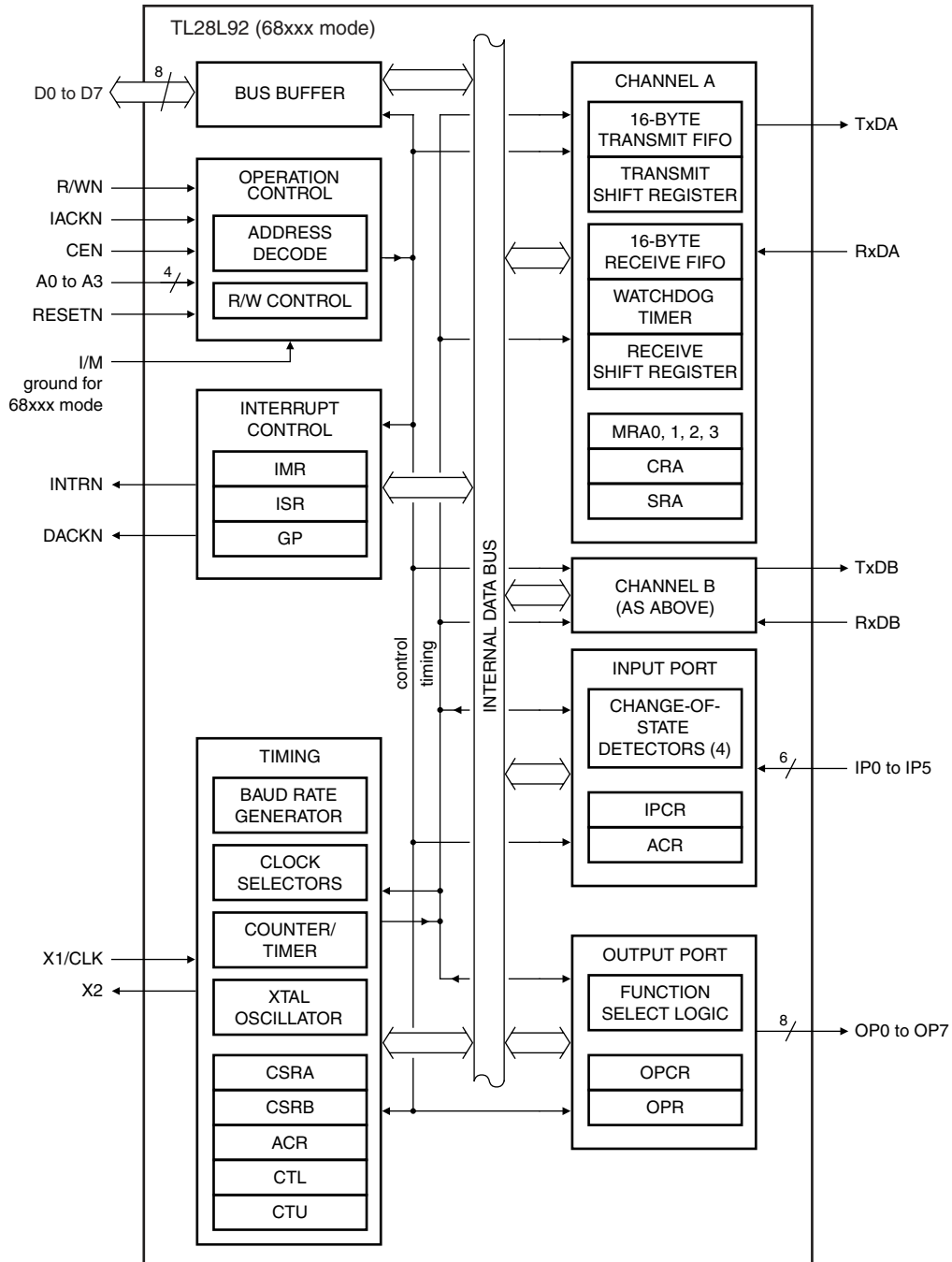
The TL28L92 is available now in 44-pin QFP (FR), and will be available 2Q09 in 48-pin QFN (RGZ).

1.3 Device Information



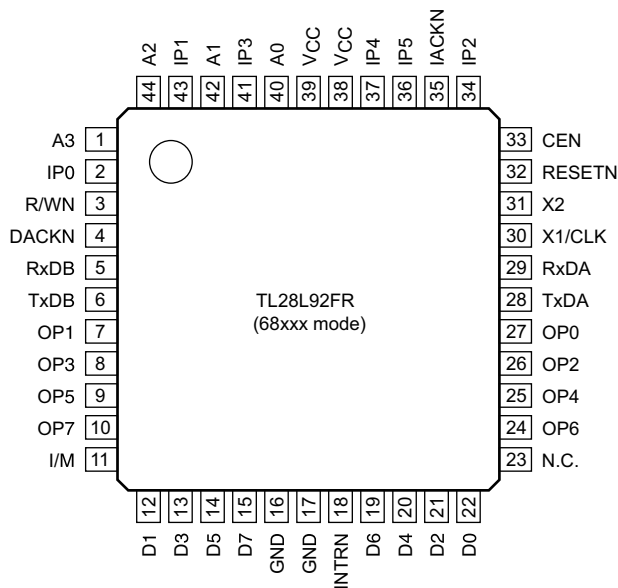
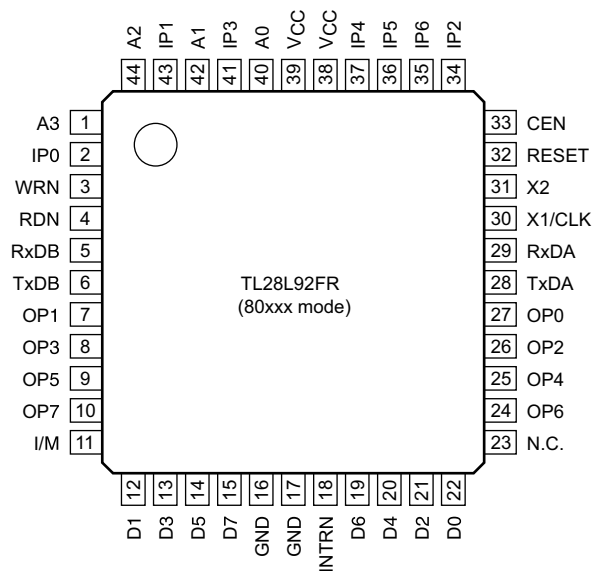
- A. The data pins TxD and RxD are considered idle at the logic 1 (HIGH) level when inactive, or active when at the logic 0 (LOW) level. Comments about these levels when RS232 is referenced often refer to Mark and Space levels. Mark usually means inactive and Space means active. The voltage levels represented by the terms Mark and Space are often reversed from those above: Mark is low voltage, and Space is high voltage.

Figure 1-1. Block Diagram (80xxx Mode)



- A. The data pins TxD and RxD are considered idle at the logic 1 (HIGH) level when inactive, or active when at the logic 0 (LOW) level. Comments about these levels when RS232 is referenced often refer to Mark and Space levels. Mark usually means inactive and Space means active. The voltage levels represented by the terms Mark and Space are often reversed from those above: Mark is low voltage, and Space is high voltage.

Figure 1-2. Block Diagram (68xxx Mode)



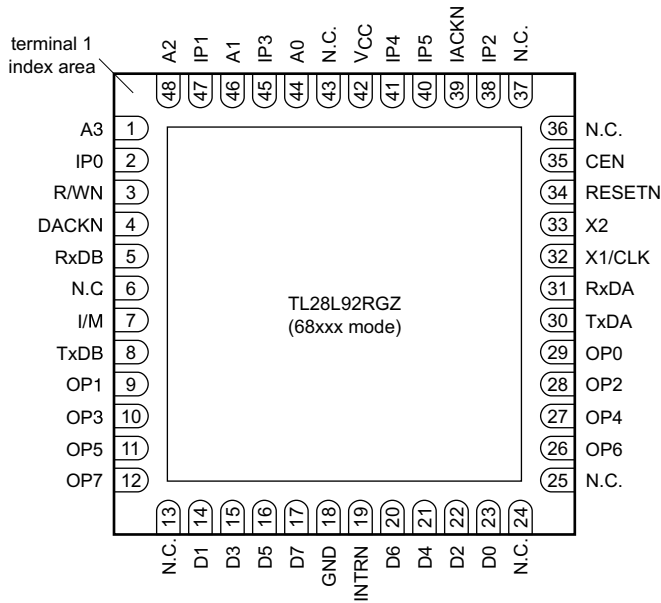
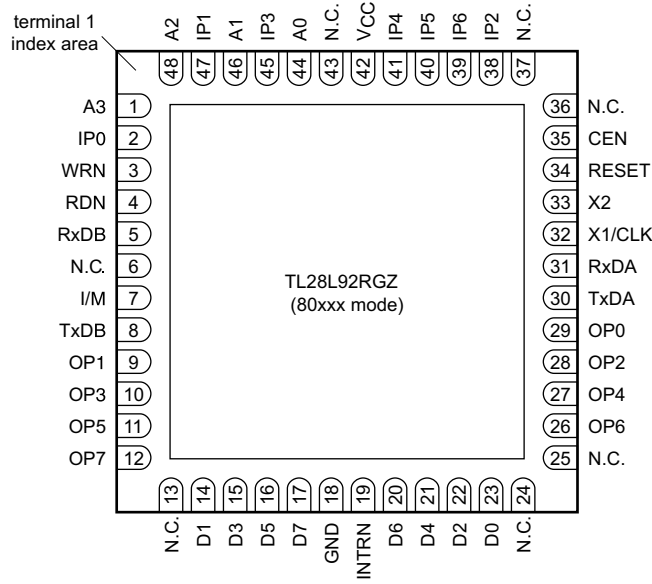


Table 1-1. PIN DESCRIPTION FOR 80xxx INTERFACE

NAME	TERMINAL		TYPE	DESCRIPTION
	QFP (FR) PIN NO.	QFN (RGZ) PIN NO.		
I/M	11	7	I	Bus configuration: When HIGH or not connected configures the bus interface to the conditions shown in this table.
D0, D1, D2, D3, D4, D5, D6, D7	22, 12, 21, 13, 20, 14, 19, 15	23, 14, 22, 15, 21, 16, 20, 17	I/O	Data bus: Bidirectional 3-state data bus used to transfer commands, data and status between the DUART and the CPU. D0 is the least significant bit.
CEN	33	35	I	Chip enable: active LOW input signal. When LOW, data transfers between the CPU and the DUART are enabled on D0 to D7 as controlled by the WRN, RDN and A0 to A3 inputs. When HIGH, places the D0 to D7 lines in the 3-state condition.
WRN	3	3	I	Write strobe: When LOW and CEN is also LOW, the contents of the data bus is loaded into the addressed register. The transfer occurs on the rising edge of the signal.
RDN	4	4	I	Read strobe: When LOW and CEN is also LOW, causes the contents of the addressed register to be presented on the data bus. The read cycle begins on the falling edge of RDN.
A0, A1, A2, A3	40, 42, 44, 1	44, 46, 48, 1	I	Address inputs: Select the DUART internal registers and ports for read/write operations.
RESET	32	34	I	Reset: A HIGH level clears internal registers (SRA, SRB, IMR, ISR, OPR and OPCR), puts OP0 to OP7 in the HIGH state, stops the counter/timer, and puts channels A and B in the inactive state, with the TxDA and TxDB outputs in the mark (HIGH) state. Sets MR pointer to MR1. See Figure 5-2 .
INTRN	18	19	O	Interrupt request: Active LOW, open-drain, output which signals the CPU that one or more of the eight maskable interrupting conditions are true. This pin requires a pull-up device.
X1/CLK	30	32	I	Crystal 1: Crystal or external clock input. A crystal or clock of the specified limits must be supplied at all times. When a crystal is used, a capacitor must be connected from this pin to ground (see Figure 5-9).
X2	31	33	O	Crystal 2: Connection for other side of the crystal. When a crystal is used, a capacitor must be connected from this pin to ground (see Figure 5-9). If X1/CLK is driven from an external source, this pin must be left open.
RxDA	29	31	I	Channel A receiver serial data input: The least significant bit is received first. See note on drive levels at block diagram (Figure 1-1).
RxDB	5	5	I	Channel B receiver serial data input: The least significant bit is received first. See note on drive levels at block diagram (Figure 1-1).
TxDA	28	30	O	Channel A transmitter serial data output: The least significant bit is transmitted first. This output is held in the Mark condition when the transmitter is disabled, Idle or when operating in local loopback mode. See note on drive levels at block diagram (Figure 1-1).
TxDB	6	8	O	Channel B transmitter serial data output: The least significant bit is transmitted first. This output is held in the Mark condition when the transmitter is disabled, Idle, or when operating in local loopback mode. See note on drive levels at block diagram (Figure 1-1).
OP0	27	29	O	Output 0: General purpose output or channel A request to send (RTSAN, active LOW). Can be deactivated automatically on receive or transmit.
OP1	7	9	O	Output 1: General-purpose output or channel B request to send (RTSBN, active LOW). Can be deactivated automatically on receive or transmit.
OP2	26	28	O	Output 2: General purpose output, or channel A transmitter 1x or 16x clock output, or channel A receiver 1x clock output.
OP3	8	10	O	Output 3: General purpose output or open-drain, active LOW counter/timer output or channel B transmitter 1x clock output, or channel B receiver 1x clock output.
OP4	25	27	O	Output 4: General purpose output or channel A open-drain, active LOW, RxA interrupt ISR[1] output.
OP5	9	11	O	Output 5: General-purpose output or channel B open-drain, active LOW, RxB interrupt ISR[5] output.
OP6	24	26	O	Output 6: General purpose output or channel A open-drain, active LOW, TxA interrupt ISR[0] output.

Table 1-1. PIN DESCRIPTION FOR 80xxx INTERFACE (continued)

TERMINAL			TYPE	DESCRIPTION
NAME	QFP (FR) PIN NO.	QFN (RGZ) PIN NO.		
OP7	10	12	O	Output 7: General-purpose output, or channel B open-drain, active LOW, TxB interrupt ISR[4] output.
IP0	2	2	I	Input 0: General purpose input or channel A clear to send active LOW input (CTSAN).
IP1	43	47	I	Input 1: General purpose input or channel B clear to send active LOW input (CTSBN).
IP2	34	38	I	Input 2: General-purpose input or counter/timer external clock input.
IP3	41	45	I	Input 3: General purpose input or channel A transmitter external clock input (TxCA). When the external clock is used by the transmitter, the transmitted data is clocked on the falling edge of the clock.
IP4	37	41	I	Input 4: General purpose input or channel A receiver external clock input (RxCA). When the external clock is used by the receiver, the received data is sampled on the rising edge of the clock.
IP5	36	40	I	Input 5: General purpose input or channel B transmitter external clock input (TxCB). When the external clock is used by the transmitter, the transmitted data is clocked on the falling edge of the clock.
IP6	35	39	I	Input 6: General purpose input or channel B receiver external clock input (RxCB). When the external clock is used by the receiver, the received data is sampled on the rising edge of the clock.
V _{CC}	38, 39	42	Pwr	Power supply: 3.3 V ± 10% or 5 V ± 10 % supply input.

Table 1-2. PIN DESCRIPTION FOR 68xxx INTERFACE

NAME	TERMINAL		TYPE	DESCRIPTION
	QFP (FR) PIN NO.	QFN (RGZ) PIN NO.		
I/M	11	7	I	Bus configuration: When HIGH or not connected configures the bus interface to the conditions shown in this table.
D0, D1, D2, D3, D4, D5, D6, D7	22, 12, 21, 13, 20, 14, 19, 15	23, 14, 22, 15, 21, 16, 20, 17	I/O	Data bus: Bidirectional 3-state data bus used to transfer commands, data and status between the DUART and the CPU. D0 is the least significant bit.
CEN	33	35	I	Chip enable: active LOW input signal. When LOW, data transfers between the CPU and the DUART are enabled on D0 to D7 as controlled by the WRN, RDN and A0 to A3 inputs. When HIGH, places the D0 to D7 lines in the 3-state condition.
R/WN	3	3	I	Read/Write: Input. When CEN is low and R/WN input is high this indicates a read cycle. When CEN is low and R/WN is low this indicates a write cycle.
DACKN	4	4	O	Data transfer acknowledge. Active low output. DACKN is asserted low during a write, read, or interrupt. Acknowledge cycle to indicate data transfer between the CPU and the TL28L92.
A0, A1, A2, A3	40, 42, 44, 1	44, 46, 48, 1	I	Address inputs: Select the DUART internal registers and ports for read/write operations.
RESETN	32	34	I	Reset. Active low. When RESETN is asserted the following registers are cleared: SRA, SRB, IMR, ISR, OPR, and OPCR. Outputs OP0 and OP7 are driven to a logic high state, the counter/timer is stopped, and channels A and B are placed in the inactive state with the TxDA and TxDB outputs in the high state.
INTRN	18	19	O	Interrupt request: Active LOW, open-drain, output which signals the CPU that one or more of the eight maskable interrupting conditions are true. This pin requires a pull-up device.
X1/CLK	30	32	I	Crystal 1: Crystal or external clock input. A crystal or clock of the specified limits must be supplied at all times. When a crystal is used, a capacitor must be connected from this pin to ground (see Figure 5-9).
X2	31	33	O	Crystal 2: Connection for other side of the crystal. When a crystal is used, a capacitor must be connected from this pin to ground (see Figure 5-9). If X1/CLK is driven from an external source, this pin must be left open.
RxDA	29	31	I	Channel A receiver serial data input: The least significant bit is received first. See note on drive levels at block diagram (Figure 1-2).
RxDB	5	5	I	Channel B receiver serial data input: The least significant bit is received first. See note on drive levels at block diagram (Figure 1-2).
TxDA	28	30	O	Channel A transmitter serial data output: The least significant bit is transmitted first. This output is held in the Mark condition when the transmitter is disabled, Idle or when operating in local loopback mode. See note on drive levels at block diagram (Figure 1-2).
TxDB	6	8	O	Channel B transmitter serial data output: The least significant bit is transmitted first. This output is held in the Mark condition when the transmitter is disabled, Idle, or when operating in local loopback mode. See note on drive levels at block diagram (Figure 1-2).
OP0	27	29	O	Output 0: General purpose output or channel A request to send (RTSAN, active LOW). Can be deactivated automatically on receive or transmit.
OP1	7	9	O	Output 1: General-purpose output or channel B request to send (RTSBN, active LOW). Can be deactivated automatically on receive or transmit.
OP2	26	28	O	Output 2: General purpose output, or channel A transmitter 1x or 16x clock output, or channel A receiver 1x clock output.
OP3	8	10	O	Output 3: General purpose output or open-drain, active LOW counter/timer output or channel B transmitter 1x clock output, or channel B receiver 1x clock output.
OP4	25	27	O	Output 4: General purpose output or channel A open-drain, active LOW, RxA interrupt ISR[1] output.
OP5	9	11	O	Output 5: General-purpose output or channel B open-drain, active LOW, RxB interrupt ISR[5] output.
OP6	24	26	O	Output 6: General purpose output or channel A open-drain, active LOW, TxA interrupt ISR[0] output.

Table 1-2. PIN DESCRIPTION FOR 68xxx INTERFACE (continued)

TERMINAL			TYPE	DESCRIPTION
NAME	QFP (FR) PIN NO.	QFN (RGZ) PIN NO.		
OP7	10	12	O	Output 7: General-purpose output, or channel B open-drain, active LOW, TxB interrupt ISR[4] output.
IP0	2	2	I	Input 0: General purpose input or channel A clear to send active LOW input (CTSAN).
IP1	43	47	I	Input 1: General purpose input or channel B clear to send active LOW input (CTSBN).
IP2	34	38	I	Input 2: General-purpose input or counter/timer external clock input.
IP3	41	45	I	Input 3: General purpose input or channel A transmitter external clock input (TxCA). When the external clock is used by the transmitter, the transmitted data is clocked on the falling edge of the clock.
IP4	37	41	I	Input 4: General purpose input or channel A receiver external clock input (RxCA). When the external clock is used by the receiver, the received data is sampled on the rising edge of the clock.
IP5	36	40	I	Input 5: General purpose input or channel B transmitter external clock input (TxCB). When the external clock is used by the transmitter, the transmitted data is clocked on the falling edge of the clock.
IACKN	35	39	I	Interrupt acknowledge. An active low input indicates an interrupt acknowledge cycle. Typically asserted by the CPU in response to an interrupt request. When IACKN is asserted, the TL28L92 places the interrupt vector on the bus and asserts DACKN.
V _{CC}	38, 39	42	Pwr	Power supply: 3.3 V ± 10% or 5 V ± 10 % supply input.
GND	16, 17	18	Pwr	Ground
N.C.	23	6, 13, 24, 25, 36, 37, 43	–	Not connected

2 Functional Description

2.1 Block Diagram

The TL28L92 DUART consists of the following eight major sections: data bus buffer, operation control, interrupt control, timing, communications channels A and B, input port and output port. See [Figure 1-1](#) and [Figure 1-2](#).

2.1.1 Data Bus Buffer

The data bus buffer provides the interface between the external and internal data buses. It is controlled by the operation control block to allow read and write operations to take place between the controlling CPU and the DUART.

2.1.2 Operation Control

The operation control logic receives operation commands from the CPU and generates appropriate signals to internal sections to control device operation. It contains address decoding and read and write circuits to permit communications with the microprocessor via the data bus.

2.1.3 Interrupt Control

A single active LOW interrupt output (INTRN) is provided which is activated upon the occurrence of any of eight internal events. Associated with the interrupt system are the Interrupt Mask Register (IMR) and the Interrupt Status Register (ISR). The IMR can be programmed to select only certain conditions to cause INTRN to be asserted. The ISR can be read by the CPU to determine all currently active interrupting conditions. Outputs OP3 to OP7 can be programmed to provide discrete interrupt outputs for the transmitter, receivers, and counter/timer. When OP3 to OP7 are programmed as interrupts, their output buffers are changed to the open-drain active LOW configuration. The OP pins may be used for DMA and modem control as well (see [Section 3.4](#)).

2.1.4 FIFO Configuration

Each receiver and transmitter has a 16 byte FIFO. These FIFOs may be configured to operate at a fill capacity of either 8 bytes or 16 bytes. This feature may be used if it is desired to operate the TL28L92 in strict compliance with the SC26C92. The 8 byte or 16 byte mode is controlled by the MR0A[3] bit. A logic 0 value for this bit sets the 8-bit mode (the default); a logic 1 sets the 16 byte mode. MR0A bit 3 sets the FIFO size for both channels.

The FIFO fill interrupt level automatically follow the programming of the MR0A[3] bit. See [Table 3-22](#) and [Table 3-23](#).

2.1.5 68xxx Mode

When the I/M pin is connected to GND (ground), the operation of the TL28L92 switches to the bus interface compatible with the Motorola bus interfaces. Several of the pins change their function as follows:

- IP6 becomes IACKN input
- RDN becomes DACKN
- WRN becomes R/WN

The interrupt vector is enabled and the interrupt vector will be placed on the data bus when IACKN is asserted LOW. The interrupt vector register is located at address 0xC. The contents of this register are set to 0x0F on the application of RESETN.

The generation of DACKN uses two positive edges of the X1 clock as the DACKN delay from the falling edge of CEN. If the CEN is withdrawn before two edges of the X1 clock occur, the generation of DACKN is terminated. Systems not strictly requiring DACKN may use the 68xxx mode with the bus timing of the 80xxx mode greatly decreasing the bus cycle time.

2.2 Timing Circuits

2.2.1 Crystal Clock

The timing block consists of a crystal oscillator, a baud rate generator, a programmable 16-bit counter/timer, and four clock selectors. The crystal oscillator operates directly from a crystal connected across the X1/CLK and X2 inputs. If an external clock of the appropriate frequency is available, it may be connected to X1/CLK. The clock serves as the basic timing reference for the Baud Rate Generator (BRG), the counter/timer, and other internal circuits. A clock signal within the limits specified in the specifications section of this data sheet must always be supplied to the DUART. If an external clock is used instead of a crystal, X1 should be driven using a configuration similar to the one in [Figure 5-9](#). Nominal crystal rate is 3.6864 MHz. Rates up to 8 MHz may be used.

2.2.2 Baud Rate Generator

The baud rate generator operates from the oscillator or external clock input at the X1 input and is capable of generating 28 commonly used data communications baud rates ranging from 50 kBd to 38.4 kBd. Programming bit 0 of MR0 to a logic 1 gives additional baud rates of 57.6 kBd, 115.2 kBd and 230.4 kBd (500 kHz with X1 at 8.0 MHz). Note that the MR0A[2:0] control this change and that the change applies to both channels. MR0B[2:0] are reserved.

The baud rates are based on an input frequency of 3.6864 MHz. Changing the X1 frequency will change all baud rates by ratio of 3.6864 MHz to the new frequency. All rates generated by the BRG will be in the 16x mode. The clock outputs from the BRG are at 16x the actual baud rate.

The counter/timer can be used as a timer to produce a 16x clock for any other baud rate by counting down the crystal clock or an external clock. The four clock selectors allow the independent selection, for each receiver and transmitter, of any of these baud rates or external timing signal. The use of the counter/timer also requires the generation of a frequency 16x of the baud rate. See [Section 2.2.3](#).

2.2.3 Counter/Timer

The Counter/timer is a 16-bit programmable divider that operates in one of three modes: counter, timer and time-out. In the timer mode it generates a square wave. In the counter mode it generates a time delay. In the time-out mode it monitors the time between received characters. The C/T uses the numbers loaded into the Counter/Timer Lower Register (CTLR) and the Counter/Timer Upper Register (CTUR) as its divisor.

The counter/timer clock source and mode of operation (counter or timer) is selected by the Auxiliary Control Register bits 6 to 4 (ACR[6:4]). The output of the counter/timer may be used for a baud rate and/or may be output to the OP pins for some external function that may be totally unrelated to data transmission. The counter/timer also sets the counter/timer ready bit in the Interrupt Status Register (ISR) when its output transitions from logic 1 to logic 0. A register read address (see [Table 3-1](#)) is reserved to issue a start counter/timer command and a second register read address is reserved to issue a stop command. The value of D(7:0) is ignored. The START command always loads the contents of CTUR, CTLR to the counting registers. The STOP command always resets the ISR[3] bit in the interrupt status register.

2.2.4 Timer Mode

Timer mode In the timer mode a symmetrical square wave is generated whose half period is equal in time to division of the selected counter/timer clock frequency by the 16-bit number loaded in the CTLR CTUR. Thus, the frequency of the counter/timer output will be equal to the counter/timer clock frequency divided by twice the value of the CTUR CTLR. While in the timer mode the ISR bit 3 (ISR[3]) will be set each time the counter/timer transitions from logic 1 to logic 0 (HIGH-to-LOW). This continues regardless of issuance of the stop counter command. ISR[3] is reset by the stop counter command.

NOTE

The value of the divisor n is (1) Often this division will result in a non-integer number; 26.3 for example. One may only program integer numbers to a digital divider. Therefore 26 (0x1A) would be chosen. If 26.7 were the result of the division, then 27 (0x1B) would be chosen.

NOTE

Reading of the CTU and CTL registers in the timer mode is not meaningful. When the C/T is used to generate a baud rate and the C/T is selected through the CSR then the receivers and/or transmitter will be operating in the 16x mode. Calculation for the number n to program the counter/timer upper and lower registers is shown in [Figure 2-1](#).

The value of the divisor n is:

$$n = \frac{\text{counter/timer input clock}}{2 \times 16 \times (\text{desired baud rate})}$$

Figure 2-1.

Often this division will result in a non-integer number; 26.3 for example. One may only program integer numbers to a digital divider. Therefore 26 (0x1A) would be chosen. If 26.7 were the result of the division, then 27 (0x1B) would be chosen. This gives a baud rate error of 0.3/26.3 or 0.3/26.7 that yields a percentage error of 1.14% or 1.12% respectively, well within the ability of the asynchronous mode of operation. Higher input frequency to the counter reduces the error effect of the fractional division.

2.2.5 Counter Mode

In the counter mode the counter/timer counts the value of the CTLR CTUR down to zero and then sets the ISR[3] bit and sets the counter/timer output from 1 to 0. It then rolls over to 65,365 and continues counting with no further observable effect. Reading the C/T in the counter mode outputs the present state of the C/T. If the C/T is not stopped, a read of the C/T may result in changing data on the data bus.

2.2.6 Time-Out Mode

The time-out mode uses the received data stream to control the counter. The time-out mode forces the C/T into the timer mode. Each time a received character is transferred from the shift register to the Rx FIFO, the counter is restarted. If a new character is not received before the counter reaches zero count, the counter ready bit is set, and an interrupt can be generated. This mode can be used to indicate when data has been left in the Rx FIFO for more than the programmed time limit. If the receiver has been programmed to interrupt the CPU when the receive FIFO is full, and the message ends before the FIFO is full, the CPU will not be interrupted for the remaining characters in the Rx FIFO.

By programming the C/T such that it would time-out in just over one character time, the above situation could be avoided. The processor would be interrupted any time the data stream had stopped for more than one character time.

NOTE

This is very similar to the watchdog time of MR0. The difference is in the programmability of the delay time and that the watchdog timer is restarted by either a receiver load to the Rx FIFO or a system read from it.

This mode is enabled by writing the appropriate command to the command register. Writing 0xA to CRA or CRB will invoke the time-out mode for that channel. Writing 0xC to CRA or CRB will disable the time-out mode. Only one receiver should use this mode at a time. However, if both are on, the time-out occurs after both receivers have been inactive for the time-out period. The start of the C/T will be on the logic OR of the two receivers.

The time-out mode disables the regular start counter or stop counter commands and puts the C/T into counter mode under the control of the received data stream. Each time a received character is transferred from the shift register to the Rx FIFO, the C/T is stopped after one C/T clock, reloaded with the value in CTUR and CTRLR and then restarted on the next C/T clock. If the C/T is allowed to end the count before a new character has been received, the counter ready bit, ISR[3], will be set. If IMR[3] is set, this will generate an interrupt. Since receiving a character restarts the C/T, the receipt of a character after the C/T has timed out will clear the counter ready bit, ISR[3], and the interrupt. Invoking the Set Time-out Mode On command, CRx = 0xA, will also clear the counter ready bit and stop the counter until the next character is received. The counter/timer is controlled with six commands: Start/Stop C/T, Read/Write Counter/Timer lower register and Read/Write Counter/Timer upper register. These commands have slight differences depending on the mode of operation. Please see the detail of the commands in [Section 2.3.3](#).

2.2.7 Time-Out Mode Caution

When operating in the special time-out mode, it is possible to generate what appears to be a false interrupt, i.e., an interrupt without a cause. This may result when a time-out interrupt occurs and then, before the interrupt is serviced, another character is received, i.e., the data stream has started again. (The interrupt latency is longer than the pause in the data stream.) In this case, when a new character has been received, the counter/timer will be restarted by the receiver, thereby withdrawing its interrupt. If, at this time, the interrupt service begins for the previously seen interrupt, a read of the ISR will show the Counter Ready bit not set. If nothing else is interrupting, this read of the ISR will return a 0x00 character. This action may present the appearance of a spurious interrupt.

2.2.8 Communications Channels A and B

Each communication channel of the TL28L92 comprises a full-duplex asynchronous receiver/transmitter (UART). The operating frequency for each receiver and transmitter can be selected independently from the baud rate generator, the counter/timer, or from an external input. The transmitter accepts parallel data from the CPU, converts it to a serial bit stream, inserts the appropriate start, stop, and optional parity bits and outputs a composite serial stream of data on the TxD output pin. The receiver accepts serial data on the RxD pin, converts this serial input to parallel format, checks for start bit, stop bit, parity bit (if any), or break condition and sends an assembled character to the CPU via the receive FIFO. Three status bits (break received, framing and parity errors) are also FIFOed with each data character.

2.2.9 Input Port

The inputs to this unlatched 7-bit (6-bit for 68xxx mode) port can be read by the CPU by performing a read operation at address 0xD. A HIGH input results in a logic 1 while a LOW input results in a logic 0. D7 will always read as a logic 1. The pins of this port can also serve as auxiliary inputs to certain portions of the DUART logic, modem and DMA.

Four change-of-state detectors are provided which are associated with inputs IP3, IP2, IP1 and IP0. A HIGH-to-LOW or LOW-to-HIGH transition of these inputs, lasting longer than 25 μ s to 50 μ s, will set the corresponding bit in the input port change register. The bits are cleared when the register is read by the CPU. Any change of state can also be programmed to generate an interrupt to the CPU.

The input port change of state detection circuitry uses a 38.4 kHz sampling clock derived from one of the baud rate generator taps. This results in a sampling period of slightly more than 25 μ s (this assumes that the clock input is 3.6864 MHz). The detection circuitry, in order to guarantee that a true change in level has occurred, requires two successive samples at the new logic level be observed. As a consequence, the minimum duration of the signal change is 25 μ s if the transition occurs coincident with the first sample pulse. The 50 μ s time refers to the situation in which the change of state is just missed and the first change of state is not detected until 25 μ s later.

2.2.10 Output Port

The output ports are controlled from six places: the OPCR, OPR, MR, Command, SOPR and ROPR registers. The OPCR register controls the source of the data for the output ports OP2 through OP7. The data source for output ports OP0 and OP1 is controlled by the MR and CR registers. When the OPR is the source of the data for the output ports, the data at the ports is inverted from that in the OPR register. The

content of the OPR register is controlled by the set output port bits command and the reset output bits command. These commands are at 0xE and 0xF, respectively. When these commands are used, action takes place only at the bit locations where ones exist. For example, a one in bit location 5 of the data word used with the set output port bits command will result in OPR5 being set to one. The OP5 would then be set to zero (V_{SS}). Similarly, a one in bit position 5 of the data word associated with the reset output ports bits command would set OPR5 to zero and, hence, the pin OP5 to a one (V^{DD}).

These pins along with the IP pins and their change-of-state detectors are often used for modem and DMA control.

2.3 Operation

2.3.1 Transmitter

The TL28L92 is conditioned to transmit data when the transmitter is enabled through the command register. The TL28L92 indicates to the CPU that it is ready to accept a character by setting the TxRDY bit in the status register. This condition can be programmed to generate an interrupt request at OP6 or OP7 and INTRN. When the transmitter is initially enabled the TxRDY and TxEMPT bits will be set in the status register. When a character is loaded to the transmit FIFO the TxEMPT bit will be reset. The TxEMPT will not set until: 1) the transmit FIFO is empty and the transmit shift register has finished transmitting the stop bit of the last character written to the transmit FIFO, or 2) the transmitter is disabled and then re-enabled. The TxRDY bit is set whenever the transmitter is enabled and the Tx FIFO is not full. Data is transferred from the holding register to transmit shift register when it is idle or has completed transmission of the previous character. Characters cannot be loaded into the Tx FIFO while the transmitter is disabled.

The transmitter converts the parallel data from the CPU to a serial bit stream on the TxD output pin. It automatically sends a start bit followed by the programmed number of data bits, an optional parity bit, and the programmed number of stop bits. The least significant bit is sent first. Following the transmission of the stop bits, if a new character is not available in the Tx FIFO, the TxD output remains HIGH and the TxEMT bit in the Status Register (SR) will be set to 1. Transmission resumes and the TxEMT bit is cleared when the CPU loads a new character into the Tx FIFO.

If the transmitter is disabled it continues operating until the character currently being transmitted and any characters in the Tx FIFO, including parity and stop bits, have been transmitted. New data cannot be loaded to the Tx FIFO when the transmitter is disabled.

When the transmitter is reset it stops sending data immediately.

The transmitter can be forced to send a break (a continuous LOW condition) by issuing a START BREAK command via the CR register. The break is terminated by a STOP BREAK command or a transmitter reset. If CTS option is enabled ($MR2[4] = 1$), the CTS input at IP0 or IP1 must be LOW in order for the character to be transmitted. The transmitter will check the state of the CTS input at the beginning of each character transmitted. If it is found to be HIGH, the transmitter will delay the transmission of any following characters until the CTS has returned to the LOW state. CTS going HIGH during the serialization of a character will not affect that character.

The transmitter can also control the RTSN outputs, OP0 or OP1 via MR2[5]. When this mode of operation is set, the meaning of the OP0 or OP1 signals will usually be end of message. See description of the MR2[5] bit for more detail. This feature may be used to automatically turn around a transceiver in simplex systems.

2.3.2 Receiver

The TL28L92 is conditioned to receive data when enabled through the command register. The receiver looks for a HIGH-to-LOW (mark-to-space) transition of the start bit on the RxD input pin. If a transition is detected, the state of the RxD pin is sampled each $16\times$ clock for 7 clocks to 1.2 clocks ($16\times$ clock mode) or at the next rising edge of the bit time clock ($1\times$ clock mode). If RxD is sampled HIGH, the start bit is invalid and the search for a valid start bit begins again. If RxD is still LOW, a valid start bit is assumed and the receiver continues to sample the input at one bit time intervals at the theoretical center of the bit, until

the proper number of data bits and parity bit (if any) have been assembled, and one stop bit has been detected. The least significant bit is received first. The data is then transferred to the receive FIFO and the RxRDY bit in the SR is set to a 1. This condition can be programmed to generate an interrupt at OP4 or OP5 and INTRN. If the character length is less than 8 bits, the most significant unused bits in the Rx FIFO are set to zero.

After the stop bit is detected, the receiver will immediately look for the next start bit. However, if a non-zero character was received without a stop bit (framing error) and RxD remains LOW for one half of the bit period after the stop bit was sampled, then the receiver operates as if a new start bit transition had been detected at that point (one-half bit time after the stop bit was sampled).

The parity error, framing error and overrun error (if any) are strobed into the SR from the next byte to be read from the Rx FIFO. If a break condition is detected (RxD is LOW for the entire character including the stop bit), a character consisting of all zeros will be loaded into the Rx FIFO and the received break bit in the SR is set to 1. The RxD input must return to HIGH for two (2) clock edges of the X1 crystal clock for the receiver to recognize the end of the break condition and begin the search for a start bit.

This will usually require a HIGH time of one X1 clock period or 3 X1 edges since the clock of the controller is not synchronous to the X1 clock.

2.3.3 Transmitter Reset and Disable

Note the difference between transmitter disable and reset. A transmitter reset stops transmitter action immediately, clears the transmitter FIFO and returns the idle state. A transmitter disable withdraws the transmitter interrupts but allows the transmitter to continue operation until all bytes in its FIFO and shift register have been transmitted including the final stop bits. It then returns to its idle state.

2.3.4 Receiver FIFO

The Rx FIFO consists of a First-In-First-Out (FIFO) stack with a capacity of 8 or 16 characters. Data is loaded from the receive shift register into the topmost empty position of the FIFO. The RxRDY bit in the status register is set whenever one or more characters are available to be read, and a FFULL status bit is set if all 8 or 16 stack positions are filled with data. Either of these bits can be selected to cause an interrupt. A read of the Rx FIFO outputs the data at the top of the FIFO. After the read cycle, the data FIFO and its associated status bits (see Section 6.3.5) are popped thus emptying a FIFO position for new data.

A disabled receiver with data in its FIFO may generate an interrupt (see Section 6.3.5). Its status bits remain active and its watchdog, if enabled, will continue to operate.

2.3.5 Receiver Status Bits

In addition to the data word, three status bits (parity error, framing error and received break) are also appended to each data character in the FIFO. The overrun error, MR1[5], is not FIFOed.

Status can be provided in two ways, as programmed by the error mode control bit in the mode register. In the character mode, status is provided on a character-by-character basis; the status applies only to the character at the top of the FIFO. In the block mode, the status provided in the SR for these three bits is the logic OR of the status for all characters coming to the top of the FIFO since the last reset error from the command register was issued. In either mode reading the SR does not affect the FIFO. The FIFO is popped only when the Rx FIFO is read. Therefore the status register should be read prior to reading the FIFO.

If the FIFO is full when a new character is received, that character is held in the receive shift register until a FIFO position is available. If an additional character is received while this state exists, the contents of the FIFO are not affected; the character previously in the shift register is lost and the overrun error status bit (SR[4]) will be set upon receipt of the start bit of the new (overrunning) character.

The receiver can control the deactivation of RTS. If programmed to operate in this mode, the RTSN output will be negated when a valid start bit was received and the FIFO is full. When a FIFO position becomes available, the RTSN output will be reasserted (set LOW) automatically. This feature can be used to prevent an overrun, in the receiver, by connecting the RTSN output to the CTSN input of the transmitting device.

If the receiver is disabled, the FIFO characters can be read. However, no additional characters can be received until the receiver is enabled again. If the receiver is reset, the FIFO and all of the receiver status, and the corresponding output ports and interrupt are reset. No additional characters can be received until the receiver is enabled again.

2.3.6 Receiver Reset and Disable

Receiver disable stops the receiver immediately. Data being assembled in the receiver shift register is lost. Data and status in the FIFO is preserved and may be read. A re-enable of the receiver after a disable will cause the receiver to begin assembling characters at the next start bit detected.

A receiver reset will discard the present shift register data, reset the receiver ready bit (RxRDY), clear the status of the byte at the top of the FIFO and realign the FIFO read/write pointers.

2.3.7 Watchdog

A watchdog timer is associated with each receiver. Its interrupt is enabled by MR0[7]. The purpose of this timer is to alert the control processor that characters are in the Rx FIFO which have not been read. This situation may occur at the end of a transmission when the last few characters received are not sufficient to cause an interrupt.

This counter times out after 64 bit times. It is reset each time a character is transferred from the receiver shift register to the Rx FIFO or a read of the Rx FIFO is executed.

2.3.8 Receiver Time-Out Mode

In addition to the watchdog timer described in the receiver section, the counter/timer may be used for a similar function. Its programmability, of course, allows much greater precision of time-out intervals.

The time-out mode uses the received data stream to control the counter. Each time a received character is transferred from the shift register to the Rx FIFO, the counter is restarted. If a new character is not received before the counter reaches zero count, the counter ready bit is set, and an interrupt can be generated. This mode can be used to indicate when data has been left in the Rx FIFO for more than the programmed time limit. Otherwise, if the receiver has been programmed to interrupt the CPU when the receive FIFO is full, and the message ends before the FIFO is full, the CPU may not know there is data left in the FIFO. The CTU and CTL value would be programmed for just over one character time, so that the CPU would be interrupted as soon as it has stopped receiving continuous data. This mode can also be used to indicate when the serial line has been marking for longer than the programmed time limit. In this case, the CPU has read all of the characters from the FIFO, but the last character received has started the count. If there is no new data during the programmed time interval, the counter ready bit will get set, and an interrupt can be generated.

The time-out mode is enabled by writing the appropriate command to the command register. Writing 0xA to CRA or CRB will invoke the time-out mode for that channel. Writing 0xC to CRA or CRB will disable the time-out mode. The time-out mode should only be used by one channel at once, since it uses the C/T. If, however, the time-out mode is enabled from both receivers, the time-out will occur only when both receivers have stopped receiving data for the time-out period. CTU and CTL must be loaded with a value greater than the normal receive character period. The time-out mode disables the regular start counter or stop counter commands and puts the C/T into counter mode under the control of the received data stream. Each time a received character is transferred from the shift register to the Rx FIFO, the C/T is stopped after one C/T clock, reloaded with the value in CTU and CTL and then restarted on the next C/T

clock. If the C/T is allowed to end the count before a new character has been received, the counter ready bit, ISR[3], will be set. If IMR[3] is set, this will generate an interrupt. Receiving a character after the C/T has timed out will clear the counter ready bit, ISR[3], and the interrupt. Invoking the set time-out mode on command, CRx = 0xA, will also clear the counter ready bit and stop the counter until the next character is received.

2.3.9 Time-Out Mode Caution

When operating in the special time-out mode, it is possible to generate what appears to be a false interrupt, i.e., an interrupt without a cause. This may result when a time-out interrupt occurs and then, before the interrupt is serviced, another character is received, i.e., the data stream has started again. (The interrupt latency is longer than the pause in the data stream.) In this case, when a new character has been received, the counter/timer will be restarted by the receiver, thereby withdrawing its interrupt. If, at this time, the interrupt service begins for the previously seen interrupt, a read of the ISR will show the counter ready bit not set. If nothing else is interrupting, this read of the ISR will return a 0x00 character.

2.3.10 Multi-Drop Mode (9-Bit or Wake-Up)

The DUART is equipped with a wake-up mode for multi-drop applications. This mode is selected by programming bits MR1A[4:3] or MR1B[4:3] to 11 for channels A and B, respectively. In this mode of operation, a master station transmits an address character followed by data characters for the addressed slave station. The slave stations, with receivers that are normally disabled, examine the received data stream and wake-up the CPU (by setting RxRDY) only upon receipt of an address character. The CPU compares the received address to its station address and enables the receiver if it wishes to receive the subsequent data characters. Upon receipt of another address character, the CPU may disable the receiver to initiate the process again.

A transmitted character consists of a start bit, the programmed number of data bits, and Address/Data (A/D) bit, and the programmed number of stop bits. The polarity of the transmitted A/D bit is selected by the CPU by programming bit MR1A[2]/MR1B[2]. MR1A[2]/MR1B[2] = 0 transmits a zero in the A/D bit position, which identifies the corresponding data bits as data while MR1A[2]/MR1B[2] = 1 transmits a one in the A/D bit position, which identifies the corresponding data bits as an address. The CPU should program the mode register prior to loading the corresponding data bits into the Tx FIFO.

In this mode, the receiver continuously looks at the received data stream, whether it is enabled or disabled. If disabled, it sets the RxRDY status bit and loads the character into the Rx FIFO if the received A/D bit is a one (address tag), but discards the received character if the received A/D bit is a zero (data tag). If enabled, all received characters are transferred to the CPU via the Rx FIFO. In either case, the data bits are loaded into the data FIFO while the A/D bit is loaded into the status FIFO position normally used for parity error (SRA[5] or SRB[5]). Framing error, overrun error, and break detect operate normally whether or not the receive is enabled.

3 Programming

3.1 Register Overview

The operation of the DUART is programmed by writing control words into the appropriate registers. Operational feedback is provided via status registers which can be read by the CPU. The addressing of the registers is described in [Table 3-1](#).

The contents of certain control registers are initialized to zero on RESET. Care should be exercised if the contents of a register are changed during operation, since certain changes may cause operational problems.

For example, changing the number of bits per character while the transmitter is active may cause the transmission of an incorrect character. In general, the contents of the MR, the CSR, and the OPCR should only be changed while the receiver(s) and transmitter(s) are not enabled, and certain changes to the ACR should only be made while the C/T is stopped.

Each channel has three mode registers (MR0, MR1 and MR2) which control the basic configuration of the channel. Access to these registers is controlled by independent MR address pointers. These pointers are set to 0x0 or 0x1 by MR control commands in the command register Miscellaneous Commands. Each time the MR registers are accessed the MR pointer increments, stopping at MR2. It remains pointing to MR2 until set to 0x0 or 0x1 via the miscellaneous commands of the command register. The pointer is set to 0x1 on reset for compatibility with previous TI UART software.

Mode, command, clock select, and status registers are duplicated for each channel to provide total independent operation and control. Refer to [Section 3.2](#) for register bit overview. The reserved registers at addresses 0x2 and 0xA should never be read during normal operation since they are reserved for internal diagnostics.

Table 3-1. TL28L92 Register Addressing READ (RDN = 0), WRITE (WRN = 0)

BINARY ADDRESS	READ OPERATION (RDN = 0 and CEN = 0)	WRITE OPERATION (WRN = 0 and CEN = 0)
0 0 0 0	Mode Register A (MR0A, MR1A, MR2A)	Mode Register A (MR0A, MR1A, MR2A)
0 0 0 1	Status Register A (SRA)	Clock Select Register A (CSRA)
0 0 1 0	Reserved	Command Register A (CRA)
0 0 1 1	Rx Holding Register A (RxFIFOA)	Tx Holding Register A (TxFIFOA)
0 1 0 0	Input Port Change Register (IPCR)	Auxiliary Control Register (ACR)
0 1 0 1	Interrupt Status Register (ISR)	Interrupt Mask Register (IMR)
0 1 1 0	Counter/Timer Upper (CTU)	C/T Upper Preset Register (CTPU)
0 1 1 1	Counter/Timer Lower (CTL)	C/T Lower Preset Register (CTPL)
1 0 0 0	Mode Register B (MR0B, MR1B, MR2B)	Mode Register B (MR0B, MR1B, MR2B)
1 0 0 1	Status Register B (SRB)	Clock Select Register B (CSRB)
1 0 1 0	Reserved	Command Register B (CRB)
1 0 1 1	Rx Holding Register B (RxFIFOB)	Tx Holding Register B (TxFIFOB)
1 1 0 0	Interrupt vector (68xxx mode)	Interrupt vector (68xxx mode)
1 1 0 0	Miscellaneous register (Intel mode), IVR Motorola mode	Miscellaneous register (Intel mode), IVR Motorola mode
1 1 0 1	Input Port Register (IPR)	Output Port Configuration Register (OPCR)
1 1 1 0	Start counter command	Set Output Port Bits Command (SOPR)
1 1 1 1	Stop counter command	Reset Output Port Bits Command (ROPR)

Table 3-2. Registers for Channels A and B

REGISTER NAME	CHANNEL A REGISTER	CHANNEL B REGISTER	ACCESS
Mode	MRnA	MRnB	R/W
Status	SRA	SRB	R only
Clock	CSRA	CSRB	W only
Command	CRA	CRB	W only
Receiver FIFO	RxFIFOA	RxFIFOB	R only
Transmitter FIFO	TxFIFOA	TxFIFOB	W only

Table 3-3. Registers Supporting Both Channels

REGISTER NAME	MNEMONIC	ACCESS
Input Port Change	IPCR	R
Auxiliary Control	ACR	W
Interrupt Status	ISR	R
Interrupt Mask	IMR	W
Counter/Timer Upper Value	CTU	R
Counter/Timer Lower Value	CTL	R
Counter/Timer Preset Upper	CTPU	W
Counter/Timer Preset Lower	CTPL	W
Input Port	IPR	R
Output Configuration	OPCR	W
Set Output Port	SOPR	W
Reset Output Port	ROPR	W
Interrupt Vector or GP	IVR/GP	R/W

3.2 Condensed Register Bit Formats

Table 3-4. Mode Register 0 (MR0)

7	6	5	4	3	2	1	0
RxWATCHDOG	RxINT[2]	TxINT[1:0]		FIFOSIZE	BUADRATE EXTENDED II	TEST2	BAUDRATE EXTENDED I

Table 3-5. Mode Register 1 (MR1)

7	6	5	4	3	2	1	0
RxRTS control	RxINT[1]	ERRORMODE	PARITYMODE		PARITYTYPE	bits per character	

Table 3-6. Mode Register 2 (MR2)

7	6	5	4	3	2	1	0
channel mode		RTSN Control Tx	CTS Enable Tx	stop bit length			

Table 3-7. Clock Select Register (CSR)

7	6	5	4	3	2	1	0
receiver clock select code				transmitter clock select code			

Table 3-8. Command Register (CR)

7	6	5	4	3	2	1	0
channel command code				disable Tx	enable Tx	disable Rx	enable Rx

Table 3-9. Channel Status Register (SR)

7	6	5	4	3	2	1	0
received break	framing error	parity error	overrun error	TxE _{MT}	TxR _{DY}	RxF _{ULL}	RxR _{DY}

Table 3-10. Interrupt Mask Register (Enables Interrupts) (IMR)

7	6	5	4	3	2	1	0
change input port	change break B	RxR _{DYB}	TxR _{DYB}	counter ready	change break A	RxR _{DYA}	TxR _{DYA}

Table 3-11. Interrupt Status Register (ISR)

7	6	5	4	3	2	1	0
input port change	change break B	RxR _{DYB} FF _{ULLB}	TxR _{DYB}	counter ready	change break A	RxR _{DYA} FF _{ULLA}	TxR _{DYA}

Table 3-12. Counter/Timer Preset Register, Upper (CTPU)

7	6	5	4	3	2	1	0
8 MSB of the BRG timer divisor							

Table 3-13. Counter/Timer Preset Register, Lower (Enables Interrupts) (CTPL)

7	6	5	4	3	2	1	0
8 LSB of the BRG timer divisor							

Table 3-14. Auxiliary Control Register and Change of State Control (ACR)

7	6	5	4	3	2	1	0
BRG set select	counter/timer mode and clock source select (see Table 3-51)			enable IP3 COS interrupt	enable IP2 COS interrupt	enable IP1 COS interrupt	enable IP0 COS interrupt

Table 3-15. Input Port Change Register (IPCR)

7	6	5	4	3	2	1	0
delta IP3	delta IP2	delta IP1	delta IP0	state of IP3	state of IP2	state of IP1	state of IP0

Table 3-16. Input Port Register (IPR)

7	6	5	4	3	2	1	0
state of IP7	state of IP6	state of IP5	state of IP4	state of IP3	state of IP2	state of IP1	state of IP0

Table 3-17. Set Output Port Bits Register (SOPR)

7	6	5	4	3	2	1	0
set OP7	set OP6	set OP5	set OP4	set OP3	set OP2	set OP1	set OP0

Table 3-18. Reset Output Port Bits Register (ROPR)

7	6	5	4	3	2	1	0
reset OP7	reset OP6	reset OP5	reset OP4	reset OP3	reset OP2	reset OP1	reset OP0

Table 3-19. Output Port Configuration Register (OPCR)⁽¹⁾

7	6	5	4	3	2	1	0
configure OP7	configure OP6	configure OP5	configure OP4	configure OP3	configure OP2	configure OP1	configure OP0

(1) OP1 and OP0 are the RTSN output and are controlled by the MR register

3.3 Register Descriptions

3.3.1 Mode Registers

3.3.1.1 Mode Register 0 Channel A (MR0A)

Table 3-20. Mode Register 0 Channel A (MR0A) (Address 0x0) Bit Allocation⁽¹⁾

7	6	5	4	3	2	1	0
RxWATCHDOG	RxINT[2]	TxINT[1:0]		FIFOSIZE	BAUDRATE EXTENDED II	TEST2	BAUDRATE EXTENDED I

(1) MR0 is accessed by setting the MR pointer to logic 0 via the command register command B.

Table 3-21. Mode Register 0 Channel A (MR0A) (Address 0x0) Bit Description

BIT(S)	SYMBOL	DESCRIPTION
7	RxWATCHDOG	This bit controls the receiver watchdog timer. 0 = disable 1 = enable When enabled, the watchdog timer will generate a receiver interrupt if the receiver FIFO has not been accessed within 64 bit times of the receiver 1× clock. The watchdog timer is used to alert the control processor that data is in the Rx FIFO that has not been read. This situation will occur when the byte count of the last part of a message is not large enough to generate an interrupt. The watchdog timer presents itself as a receiver interrupt with the RxRDY bit set in SR and ISR.
6	RxINT[2]	Bit 2 of receiver FIFO interrupt level. This bit along with bit 6 of MR1 sets the fill level of the FIFO that generates the receiver interrupt. Note that this control is split between MR0 and MR1. This is for backward compatibility to the SC2692. For the receiver these bits control the number of FIFO positions filled when the receiver will attempt to interrupt. After the reset the receiver FIFO is empty. The default setting of these bits cause the receiver to attempt to interrupt when it has one or more bytes in it; see Table 3-22

Table 3-21. Mode Register 0 Channel A (MR0A) (Address 0x0) Bit Description (continued)

BIT(S)	SYMBOL	DESCRIPTION
5 and 4	TxINT[1:0]	Transmitter interrupt fill level. For the transmitter these bits control the number of FIFO positions empty when the receiver will attempt to interrupt; see Table 3-23 . After the reset the transmit FIFO has 8 bytes empty. It will then attempt to interrupt as soon as the transmitter is enabled. The default setting (TxINT[1:0] = 00) condition the transmitter to attempt to interrupt only when it is completely empty. As soon as one byte is loaded, it is no longer empty and hence will withdraw its interrupt request.
3	FIFOSIZE	FIFO size for channel A and channel B. Selects the FIFO depth at 8-byte or 16-byte. 0 = 8 bytes 1 = 16 bytes
2	BAUDRATE EXTENDED I	Bits MR0[2:0] are used to select one of the six baud rate groups. See Table 3-32 for the group organization.
1	TEST2	000 = Normal mode
0	BAUDRATE EXTENDED II	001 = Extended mode I 100 = Extended mode II Other combinations of MR0[2:0] should not be used.

Table 3-22. Receiver FIFO Interrupt Fill Level⁽¹⁾

RxINT[2:1] (BITS MR0[6] AND MR1[6])	INTERRUPT CONDITION
FIFOSIZE = 0 (8 bytes)	
00	1 or more bytes in FIFO (RxRDY)
01	3 or more bytes in FIFO
10	6 or more bytes in FIFO
11	8 bytes in FIFO (RxFULL)
FIFOSIZE = 1 (16 bytes)	
00	1 or more bytes in FIFO (RxRDY)
01	8 or more bytes in FIFO
10	12 or more bytes in FIFO
11	16 bytes in FIFO (RxFULL)

(1) Interrupt fill level must be set when the transmit and receive FIFOs are empty, otherwise the new level takes effect only after a read or a write to the FIFO.

Table 3-23. Transmitter FIFO Interrupt Fill Level⁽¹⁾

TxINT[2:1] (BITS MR0[6] AND MR1[6])	INTERRUPT CONDITION
FIFOSIZE = 0 (8 bytes)	
00	8 bytes empty (TxEMPTY)
01	4 or more bytes empty
10	6 or more bytes empty
11	1 or more bytes empty (TxRDY)
FIFOSIZE = 1 (16 bytes)	
00	16 bytes empty (TxEMPTY)
01	8 or more bytes empty
10	12 or more bytes empty
11	1 or more bytes empty (TxRDY)

(1) Interrupt fill level must be set when the transmit and receive FIFOs are empty, otherwise the new level takes effect only after a read or a write to the FIFO.

3.3.1.2 Mode Register 1 Channel A (MR1A)

Table 3-24. Mode Register 1 Channel A (MR1A) (Address 0x0) Bit Allocation⁽¹⁾

7	6	5	4	3	2	1	0
RxRTS control	RxINT[1]	ERRORMODE	PARITY MODE		PARITY TYPE	bits per character	

(1) MR1A is accessed when the channel A MR pointer points to MR1. The pointer is set to MR1 by RESET or by a set pointer command applied via CR command 1. After reading or writing MR1A, the pointer will point to MR2A.

Table 3-25. Mode Register 1 Channel A (MR1A) (Address 0x0) Bit Description

BIT(S)	SYMBOL	DESCRIPTION
7	RxRTS	Channel A receiver request to send control (flow control). This bit controls the deactivation of the RTSAN output (OP0) by the receiver. This output is normally asserted by setting OPR[0] and negated by resetting OPR[0]. Proper automatic operation of flow control requires OPR[0] (channel A) or OPR[1] (channel B) to be set to logic 1. 0 = No RTS control 1 = RTS control RxRTS = 1 causes RTSAN to be negated (OP0 is driven to a logic 1 [V _{CC}]) upon receipt of a valid start bit if the channel A FIFO is full. This is the beginning of the reception of the 9th byte. If the FIFO is not read before the start of the 10th or 17th byte, an overrun condition will occur and the 10th or 17th or 17th byte will be lost. However, the bit in OPR[0] is not reset and RTSAN will be asserted again when an empty FIFO position is available. This feature can be used for flow control to prevent overrun in the receiver by using the RTSAN output signal to control the CTSN input of the transmitting device.
6	RxINT[1]	Bit 1 of the receiver interrupt control. See description of RxINT[2] in Table 3-22 and Table 3-23 .
5	ERRORMODE	Channel A error mode select. 0 = character 1 = block This bit selects the operating mode of the three FIFOed status bits (FE, PE, received break) for channel A. In the character mode, status is provided on a character-by-character basis; the status applies only to the character at the top of the FIFO. In the block mode, the status provided in the SR for these bits is the accumulation (logic OR) of the status for all characters coming to the top of the FIFO since the last reset error command for channel A was issued.
4 and 3	PARITY MODE	Channel A parity mode select 00 = with parity 01 = force parity 10 = no parity 11 = multi-drop special mode If with parity or force parity is selected a parity bit is added to the transmitted character and the receiver performs a parity check on incoming data MR1A[4:3] = 11 selects channel A to operate in the special multi-drop mode described in "Multi-drop mode (9-bit or wake-up)".
2	PARITY TYPE	Channel A parity type select 0 = even 1 = odd This bit selects the parity type (odd or even) if the with parity mode is programmed by MR1A[4:3], and the polarity of the forced parity bit if the force parity mode is programmed. It has no effect if the no parity mode is programmed. In the special multi-drop mode it selects the polarity of the A/D bit.
1:0	–	Channel A bits per character select. 00 = 5 bits 01 = 6 bits 10 = 7 bits 11 = 8 bits This field selects the number of data bits per character to be transmitted and received. The character length does not include the start, parity, and stop bits.

3.3.1.3 Mode Register 2 Channel A (MR2A)

Table 3-26. Mode Register 2 Channel A (MR2A) (Address 0x0) Bit Allocation⁽¹⁾

7	6	5	4	3	2	1	0
channel mode		RTSN Control Tx	CTSN Enable Tx	stop bit length			

(1) MR2A is accessed when the channel A MR pointer points to MR2, which occurs after any access to MR1A. Accesses to MR2A do not change the pointer.

Table 3-27. Mode Register 2 Channel A (MR2A) (Address 0x0) Bit Description

BIT(S)	SYMBOL	DESCRIPTION
7 and 6	–	<p>Channel A mode select. Each channel of the DUART can operate in one of the following four modes:</p> <p>00 = Normal mode (default) 01 = Automatic echo mode 10 = Local loopback mode 11 = Remote loopback mode</p> <p>Table 3-28 gives a description of the channel modes.</p> <p>The user must exercise care when switching into and out of the various modes. The selected mode will be activated immediately upon mode selection, even if this occurs in the middle of a received or transmitted character. Likewise, if a mode is deselected the device will switch out of the mode immediately. An exception to this is switching out of auto echo or remote loopback modes: if the deselection occurs just after the receiver has sampled the stop bit (indicated in auto echo by assertion of RxRDY), and the transmitter is enabled, the transmitter will remain in auto echo mode until the entire stop has been retransmitted.</p>
5	–	<p>Channel A transmitter request to send (RTS) control.</p> <p>0 = No RTS control 1 = RTS control</p> <p>This bit controls the deactivation of the RTSAN output (OP0) by the transmitter. This output is normally asserted by setting OPR[0] and negated by resetting OPR[0]. MR2A[5] = 1 caused OPR[0] to be reset automatically one bit time after the characters in the channel A transmit shift register and in the Tx FIFO, if any, are completely transmitted including the programmed number of stop bits, if the transmitter is not enabled.</p> <p>This feature can be used to automatically terminate the transmission of a message as follows (line turnaround):</p> <ol style="list-style-type: none"> 1. Program auto-reset mode: MR2A[5] = 1 2. Enable transmitter 3. Assert RTSAN: OPR[0] = 1 4. Send message 5. Disable transmitter after the last character is loaded into the channel A Tx FIFO 6. The last character will be transmitted and OPR[0] will be reset one bit time after the last stop bit, causing RTSAN to be negated
4	–	<p>Channel A transmitter clear to send (CTS) control.</p> <p>0 = Input CTSAN(IP0) has no effect on the transmitter 1 = CTS control enabled</p> <p>If this bit is a 1, the transmitter checks the state of CTSAN (IP0) each time it is ready to send a character. If IP0 is asserted (LOW), the character is transmitted. If it is negated (HIGH), the TxDA output remains in the marking state and the transmission is delayed until CTSAN goes LOW. Changes in CTSAN while a character is being transmitted do not affect the transmission of that character.</p>
3 to 0	–	<p>Stop bit length select. This field programs the length of the stop bit appended to the transmitted character. Stop bit lengths of $\frac{9}{16}$ to 1 and $1 - \frac{9}{16}$ to 2 bits, in increments of $\frac{1}{16}$ bit, can be programmed for character lengths of 6, 7, and 8 bits. For a character lengths of 5 bits, $1 - \frac{1}{16}$ to 2 stop bits can be programmed in increments of $\frac{1}{16}$ bit. In all cases, the receiver only checks for a mark condition at the center of the stop bit position (one half-bit time after the last data bit, or after the parity bit if enabled is sampled). Refer to Table 3-29 for the values.</p> <p>If an external 1x clock is used for the transmitter: MR2A[3] = 0 selects one stop bit MR2A[3] = 1 selects two stop bits</p>

Table 3-28. DUART Mode Description

MODE	DESCRIPTION
Normal	The transmitter and receiver operating independently.
Automatic echo	Places the channel in the automatic echo mode, which automatically retransmits the received data. The following conditions are true while in automatic echo mode: <ol style="list-style-type: none"> 1. Received data is reclocked and retransmitted on the TxDA output 2. The receive clock is used for the transmitter 3. The receiver must be enabled, but the transmitter need not be enabled 4. The channel A TxRDY and TxEMT status bits are inactive 5. The received parity is checked, but is not regenerated for transmission, i.e. transmitted parity bit is as received 6. Character framing is checked, but the stop bits are retransmitted as received 7. A received break is echoed as received until the next valid start bit is detected 8. CPU to receiver communication continues normally, but the CPU to transmitter link is disabled
Local loopback	Selects local loopback diagnostic mode. In this mode: <ol style="list-style-type: none"> 1. The transmitter output is internally connected to the receiver input 2. The transmit clock is used for the receiver 3. The TxDA output is held HIGH 4. The RxDA input is ignored 5. The transmitter must be enabled, but the receiver need not be enabled 6. CPU to transmitter and receiver communications continue normally
Remote loopback	Selects remote loopback diagnostic mode. In this mode: <ol style="list-style-type: none"> 1. Received data is reclocked and retransmitted on the TxDA output 2. The receive clock is used for the transmitter 3. Received data is not sent to the local CPU, and the error status conditions are inactive 4. The received parity is not checked and is not regenerated for transmission, i.e., transmitted parity is as received 5. The receiver must be enabled 6. Character framing is not checked, and the stop bits are retransmitted as received 7. A received break is echoed as received until the next valid start bit is detected

Table 3-29. Stop Bit Length

MR2A[3:0] (HEXADECIMAL)	STOP BIT LENGTH ⁽¹⁾
0	0.563
1	0.625
2	0.688
3	0.750
4	0.813
5	0.875
6	0.938
7	1.000
8	1.563
9	1.653
A	1.688
B	1.750
C	1.813
D	1.875
E	1.938

(1) Add 0.5 to values shown for 0 to 7 if channel is programmed for 5 bit per character.

Table 3-29. Stop Bit Length (continued)

MR2A[3:0] (HEXADECIMAL)	STOP BIT LENGTH ⁽¹⁾
F	2.000

3.3.1.4 Mode Register 0 Channel B (MR0B)

MR0B (address 0x8) is accessed when the channel B MR pointer points to MR1. The pointer is set to MR0 by RESET or by a set pointer command applied via CRB. After reading or writing MR0B, the pointer will point to MR1B.

The bit definitions for this register are identical to MR0A, except the FIFO size bit and that all control actions apply to the channel B receiver, transmitter, the corresponding inputs and outputs. MR0B[2:0] are reserved.

3.3.1.5 Mode Register 1 Channel B (MR1B)

MR1B (address 0x8) is accessed when the channel B MR pointer points to MR1. The pointer is set to MR1 by RESET or by a set pointer command applied via CRB. After reading or writing MR1B, the pointer will point to MR2B.

The bit definitions for this register are identical to MR1A, except that all control actions apply to the channel B receiver and transmitter and the corresponding inputs and outputs.

3.3.1.6 Mode Register 2 Channel B (MR2B)

MR2B (address 0x8) is accessed when the channel B MR pointer points to MR2, which occurs after any access to MR1B. Accesses to MR2B do not change the pointer.

The bit definitions for mode register are identical to the bit definitions for MR2A, except that all control actions apply to the channel B receiver and transmitter and the corresponding inputs and outputs.

3.3.2 Clock Select Registers

Table 3-30. Clock Select Register Channel A (CSRA) (Address 0x1) and Clock Select Register Channel B (CSRB) (Address 0x9) Bit Allocation

7	6	5	4	3	2	1	0
receiver clock select code				transmitter clock select code			

3.3.2.1 Clock Select Register Channel A (CSRA)

Table 3-31. Clock Select Register Channel A (CSRA) (Address 0x1) Bit Description

BIT(S)	SYMBOL	DESCRIPTION
7 to 4	–	Receiver clock select. The baud rate clock for the channel A receiver is as shown in Table 3-32 , except as follows: 1110 = IP4 – 16x 1111 = IP4 – 1x The receiver clock is always a 16x clock except for CSRA[7:4] = 1111
3 to 0	–	Transmitter clock select. The baud rate clock for the channel A transmitter is as shown in Table 3-32 , except as follows: 1110 = IP3 – 16x 1111 = IP3 – 1x The transmitter clock is always a 16x clock except for CSRA[3:0] = 1111

Table 3-32. Baud Rate (Based on a 3.6864 MHz Crystal Clock)⁽¹⁾

CSR[7:4] CSR[3:0]	MR0[0] = 0 (NORMAL MODE)		MR0[0] = 1 (EXTENDED MODE I)		MR0[2] = 1 (EXTENDED MODE II)	
	ACR[7] = 0	ACR[7] = 1	ACR[7] = 0	ACR[7] = 1	ACR[7] = 0	ACR[7] = 1
0000	50	75	300	450	4,800	7,200
0001	110	110	110	110	880	880
0010	134.5	134.5	134.5	134.5	1,076	1,076
0011	200	150	1200	900	19,200	14,400
0100	300	300	1800	1800	28,800	28,800
0101	600	600	3600	3600	57,600	57,600
0110	1,200	1,200	7,200	7,200	115,200	115,200
0111	1,050	2,000	1,050	2,000	1,050	2,000
1000	2,400	2,400	14,400	14,400	57,600	57,600
1001	4,800	4,800	28,800	28,800	4,800	4,800
1010	7,200	1,800	7,200	1,800	57,600	14,400
1011	9,600	9,600	57,600	57,600	9,600	9,600
1100	38,400	19,200	230,400	115,200	38,400	19,200
1101	Timer	Timer	Timer	Timer	Timer	Timer

(1) See Table 3-33 for bit rate characteristics.

Table 3-33. Bit Rate Generator Characteristics^{(1) (2)}

NORMAL RATE (BAUD)	ACTUAL 16x CLOCK (kHz)	ERROR (%)
50	0.8	0
75	1.2	0
110	1.759	-0.069
134.5	2.153	0.059
150	2.4 0	0
200	3.2	0
300	4.8	0
600	9.6	0
1050	16.756	-0.260
1200	19.2	0
1800	28.8	0
2000	32.056	0.175
2400	38.4	0
4800	76.8	0
7200	115.2	0
9600	153.6	0
19200	307.2	0
38400	614.4	0

- (1) Crystal or clock = 3.6864 MHz.
- (2) Duty cycle of 16x clock is 50% ± 1%.

3.3.2.2 Clock Select Register Channel B (CSRB)

Table 3-34. Clock Select Register Channel B (CSRB) (Address 0x1) Bit Description

BIT(S)	SYMBOL	DESCRIPTION
7 to 4	–	Receiver clock select. The baud rate clock for the channel B receiver is as shown in Table 3-32 , except as follows: 1110 = IP4 – 16x 1111 = IP4 – 1x The receiver clock is always a 16x clock except for CSRB[7:4] = 1111
3 to 0	–	Transmitter clock select. The baud rate clock for the channel B transmitter is as shown in Table 3-32 , except as follows: 1110 = IP3 – 16x 1111 = IP3 – 1x The transmitter clock is always a 16x clock except for CSRB[3:0] = 1111

3.3.3 Command Registers

Table 3-35. Command Register Channel A (CRA) (Address 0x2) and Command Register Channel B (CRB) (Address 0xA) Bit Allocation

7	6	5	4	3	2	1	0
channel command code				disable Tx	enable Tx	disable Rx	enable Rx

3.3.3.1 Command Register Channel A (CRA)

CRA is a register used to supply commands to channel A. Multiple commands can be specified in a single write to CRA as long as the commands are non-conflicting, e.g., the enable transmitter and reset transmitter commands cannot be specified in a single command word.

Table 3-36. Command Register Channel A (CRA) (Address 0x2) Bit Description

BIT(S)	SYMBOL	DESCRIPTION
7 to 4	–	Miscellaneous commands. Execution of the commands in the upper four bits of this register must be separated by 3 X1 clock edges. Other reads or writes (including writes to the lower four bits) may be inserted to achieve this separation. A description of miscellaneous commands is given in Table 3-37 .
3	–	Disable channel A transmitter. This command terminates transmitter operation and reset the TxDRY and TxEMT status bits. However, if a character is being transmitted or if a character is in the Tx FIFO when the transmitter is disabled, the transmission of the character(s) is completed before assuming the inactive state
2	–	Enable channel A transmitter. Enables operation of the channel A transmitter. The TxRDY and TxEMT status bits will be asserted if the transmitter is idle
1	–	Disable channel A receiver. This command terminates operation of the receiver immediately—a character being received will be lost. The command has no effect on the receiver status bits or any other control registers. If the special multi-drop mode is programmed, the receiver operates even if it is disabled. See Section 2.3.10 .
0	–	Enable channel A receiver. Enables operation of the channel A receiver. If not in the special wake-up mode, this also forces the receiver into the search for start-bit state

Table 3-37. Miscellaneous Commands

COMMAND	DESCRIPTION
0000	No command.
0001	Reset MR pointer. Causes the channel A MR pointer to point to MR1.
0010	Reset receiver. Resets the channel A receiver as if a hardware reset had been applied. The receiver is disabled and the FIFO is flushed.
0011	Reset transmitter. Resets the channel A transmitter as if a hardware reset had been applied.
0100	Reset error status. Clears the channel A received break, parity error, and overrun error bits in the status register (SRA[7:4]). Used in character mode to clear OE status (although RB, PE and FE bits will also be cleared) and in block mode to clear all error status after a block of data has been received.
0101	Reset channel A break change interrupt. Causes the channel A break detect change bit in the interrupt status register (ISR[2]) to be cleared to zero.
0110	Start break. Forces the TxDA output LOW (spacing). If the transmitter is empty the start of the break condition will be delayed up to two bit times. If the transmitter is active the break begins when transmission of the character is completed. If a character is in the Tx FIFO, the start of the break will be delayed until that character, or any other loaded subsequently are transmitted. The transmitter must be enabled for this command to be accepted.
0111	Stop break. The TxDA line will go HIGH (marking) within two bit times. TxDA will remain HIGH for one bit time before the next character, if any, is transmitted.
1000	Assert RTSN. Causes the RTSN output to be asserted (LOW).
1001	Negate RTSN. Causes the RTSN output to be negated (HIGH).
1010	Set time-out mode on. The receiver in this channel will restart the C/T as each receive character is transferred from the shift register to the Rx FIFO. The C/T is placed in the counter mode, the start counter or stop counter commands are disabled, the counter is stopped, and the counter ready bit, ISR[3], is reset. (see also watchdog timer description in the receiver Section 2.3.7.)
1011	Set MR pointer to 0x0.
1100	Disable time-out mode. This command returns control of the C/T to the regular start counter or stop counter commands. It does not stop the counter, or clear any pending interrupts. After disabling the time-out mode, a stop counter command should be issued to force a reset of the ISR[3] bit.
1101	Not used.
1110	Power-down mode on. In this mode, the DUART oscillator is stopped and all functions requiring this clock are suspended. The execution of commands other than disable Power-down mode (1111) requires a X1/CLK. While in the Power-down mode, do not issue any commands to the CR except the disable Power-down mode command. The contents of all registers will be saved while in this mode. It is recommended that the transmitter and receiver be disabled prior to placing the DUART into Power-down mode. This command is in CRA only.
1111	Disable Power-down mode. This command restarts the oscillator. After invoking this command, wait for the oscillator to start up before writing further commands to the CR. This command is in CRA only. For maximum power reduction input pins should be at V_{SS} or V_{DD} .

3.3.3.2 Command Register Channel B (CRB)

CRB is a register used to supply commands to channel B. Multiple commands can be specified in a single write to CRB as long as the commands are non-conflicting, e.g., the enable transmitter and reset transmitter commands cannot be specified in a single command word.

The bit definitions for this register are identical to the bit definitions for CRA, with the exception of miscellaneous commands 0xE and 0xF which are used for Power-down mode. These two commands are not used in CRB. All other control actions that apply to CRA also apply to CRB.

3.3.4 Status Registers

3.3.4.1 Status Register Channel A (SRA)

Table 3-38. Status Register Channel A (SRA) (Address 0x1) Bit Allocation

7	6	5	4	3	2	1	0
received break ⁽¹⁾	framing error ⁽¹⁾	parity error ⁽¹⁾	overrun error	TxEMTA	TxRDYA	RxFULLA	RxRDYA

(1) These status bits are appended to the corresponding data character in the receive FIFO. A read of the status provides these bits [7:5] from the top of the FIFO together with bits [4:0]. These bits are cleared by a reset error status command. In character mode they are discarded when the corresponding data character is read from the FIFO. In block error mode, the error-reset command (command 0x4 or receiver reset) must be used to clear block error conditions.

Table 3-39. Status Register Channel A (SRA) (Address 0x1) Bit Description

BIT(S)	SYMBOL	DESCRIPTION
7	–	<p>Channel A received break. 0 = no 1 = yes</p> <p>This bit indicates that an all zero character of the programmed length has been received without a stop bit. Only a single FIFO position is occupied when a break is received: further entries to the FIFO are inhibited until the RxDA line returns to the marking state for at least one-half a bit time two successive edges of the internal or external 1x clock. This will usually require a HIGH time of one X1 clock period or 3 X1 edges since the clock of the controller is not synchronous to the X1 clock.</p> <p>When this bit is set, the channel A change in break bit in the ISR (ISR[2]) is set. ISR[2] is also set when the end of the break condition, as defined above, is detected.</p> <p>The break detect circuitry can detect breaks that originate in the middle of a received character. However, if a break begins in the middle of a character, it must persist until at least the end of the next character time in order for it to be detected.</p> <p>This bit is reset by command 0x4 (0100) written to the command register or by receiver reset.</p>
6	–	<p>Channel A framing error. 0 = no 1 = yes</p> <p>This bit, when set, indicates that a stop bit was not detected (not a logic 1) when the corresponding data character in the FIFO was received. The stop bit check is made in the middle of the first stop bit position.</p>
5	–	<p>Channel A parity error. 0 = no 1 = yes</p> <p>This bit is set when the with parity or force parity mode is programmed and the corresponding character in the FIFO was received with incorrect parity.</p> <p>In the special multi-drop mode the parity error bit stores the receive A/D (Address/Data) bit.</p>
4	–	<p>Channel A overrun error. 0 = no 1 = yes</p> <p>This bit, when set, indicates that one or more characters in the received data stream have been lost. It is set upon receipt of a new character when the FIFO is full and a character is already in the receive shift register waiting for an empty FIFO position. When this occurs, the character in the receive shift register (and its break detect, parity error and framing error status, if any) is lost. This bit is cleared by a reset error status command.</p>
3	TxEMTA	<p>Channel A transmitter empty. 0 = no 1 = yes</p> <p>This bit will be set when the transmitter under runs, i.e., both the TxEMT and TxRDY bits are set. This bit and TxRDY are set when the transmitter is first enabled and at any time it is re-enabled after either (a) reset, or (b) the transmitter has assumed the disabled state. It is always set after transmission of the last stop bit of a character if no character is in the THR awaiting transmission. It is reset when the THR is loaded by the CPU, a pending transmitter disable is executed, the transmitter is reset, or the transmitter is disabled while in the under run condition.</p>

Table 3-39. Status Register Channel A (SRA) (Address 0x1) Bit Description (continued)

BIT(S)	SYMBOL	DESCRIPTION
2	TxRDYA	Channel A transmitter ready. 0 = no 1 = yes This bit, when set, indicates that the transmit FIFO is not full and ready to be loaded with another character. This bit is cleared when the transmit FIFO is loaded by the CPU and there are (after this load) no more empty locations in the FIFO. It is set when a character is transferred to the transmit shift register. TxRDYA is reset when the transmitter is disabled and is set when the transmitter is first enabled. Characters loaded to the Tx FIFO while this bit is logic 0 will be lost. This bit has different meaning from ISR[0].
1	FFULLA	Channel A FIFO full. 0 = no 1 = yes This bit is set when a character is transferred from the receive shift register to the receive FIFO and the transfer causes the FIFO to become full, i.e., all eight (or 16) FIFO positions are occupied. It is reset when the CPU reads the receive FIFO. If a character is waiting in the receive shift register because the FIFO is full, FFULLA will not be reset when the CPU reads the receive FIFO. This bit has different meaning from ISR1 when MR1[6] is programmed to a logic 1
0	RxRDYA	Channel A receiver ready. 0 = no 1 = yes This bit indicates that a character has been received and is waiting in the FIFO to be read by the CPU. It is set when the character is transferred from the receive shift register to the FIFO and reset when the CPU reads the receive FIFO, only if (after this read) there are no more characters in the FIFO – the Rx FIFO becomes empty.

3.3.4.2 Status Register Channel B (SRB)

Table 3-40. Status Register Channel B (SRB) (Address 0x9) Bit Allocation

7	6	5	4	3	2	1	0
received break ⁽¹⁾	framing error ⁽¹⁾	parity error ⁽¹⁾	overrun error	TxEMTB	TxRDYB	RxFULLB	RxRDYB

(1) These status bits are appended to the corresponding data character in the receive FIFO. A read of the status provides these bits [7:5] from the top of the FIFO together with bits [4:0]. These bits are cleared by a reset error status command. In character mode they are discarded when the corresponding data character is read from the FIFO. In block error mode, the error-reset command (command 0x4 or receiver reset) must be used to clear block error conditions.

The bit definitions for this register are identical to the bit definitions for SRA, except that all status applies to the channel B receiver and transmitter and the corresponding inputs and outputs.

3.3.5 Output Configuration Control Register (OPCR)

This register controls the signal presented by the OP[7:2] pins. The signal presented by the OP[1:0] pins is controlled by the Rx, Tx, and the command register. The default condition of the OP pins is to drive the complement of the data in the OPR[7:0] register.

When OP[7:2] pins drive DMA or interrupt type signals, they switch to open-drain configuration. Otherwise, they drive strong logic 0 or logic 1 levels

Table 3-41. Output Configuration Control Register (OPCR) (Address 0xD) Bit Allocation

7	6	5	4	3	2	1	0
configure OP7	configure OP6	configure OP5	configure OP4	configure OP3	configure OP2	configure OP1	configure OP0

Table 3-42. Output Configuration Control Register (OPCR) (Address 0xD) Bit Description

BIT(S)	SYMBOL	DESCRIPTION
7	–	OP7 output select 0 = The complement of OPR[7] 1 = The channel B transmitter interrupt output which is the complement of ISR[4]. When in this mode OP7 acts as an open-drain output. Note that this output is not masked by the contents of the IMR.

Table 3-42. Output Configuration Control Register (OPCR) (Address 0xD) Bit Description (continued)

BIT(S)	SYMBOL	DESCRIPTION
6	–	OP6 output select 0 = The complement of OPR[6] 1 = The channel A transmitter interrupt output which is the complement of ISR[0]. When in this mode OP6 acts as an open-drain output. Note that this output is not masked by the contents of the IMR.
5	–	OP5 output select 0 = The complement of OPR[5] 1 = The channel B receiver interrupt output which is the complement of ISR[5]. When in this mode OP5 acts as an open-drain output. Note that this output is not masked by the contents of the IMR.
4	–	OP4 output select 0 = The complement of OPR[4] 1 = The channel A receiver interrupt output which is the complement of ISR[1]. When in this mode OP4 acts as an open-drain output. Note that this output is not masked by the contents of the IMR.
3 and 2	–	OP3 output select 00 = The complement of OPR[3] 01 = The counter/timer output, in which case OP3 acts as an open-drain output. In the timer mode, this output is a square wave at the programmed frequency. In the counter mode, the output remains HIGH until terminal count is reached, at which time it goes LOW. The output returns to the HIGH state when the counter is stopped by a stop counter command. Note that this output is not masked by the contents of the IMR. 10 = The 1x clock for the channel B transmitter, which is the clock that shifts the transmitted data. If data is not being transmitted, a free running 1x clock is output. 11 = The 1x clock for the channel B receiver, which is the clock that samples the received data. If data is not being received, a free running 1x clock is output.
1 and 0	–	OP2 output select 00 = The complement of OPR[2] 01 = The 16x clock for the channel A transmitter. This is the clock selected by CSRA[3:0], and will be a 1x clock if CSRA[3:0] = 1111. 10 = The 1x clock for the channel A transmitter, which is the clock that shifts the transmitted data. If data is not being transmitted, a free running 1x clock is output. 11 = The 1x clock for the channel A receiver, which is the clock that samples the received data. If data is not being received, a free running 1x clock is output.

3.3.6 Set Output Port Bits Register (SOPR)

Ones in the byte written to this register will cause the corresponding bit positions in the OPR to set to 1. Zeros have no effect. This allows software to set individual bits without keeping a copy of the OPR bit configuration.

Table 3-43. Set Output Port Bits Register (SOPR) (Address 0xE) Bit Allocation

7	6	5	4	3	2	1	0
set OP7	set OP6	set OP5	set OP4	set OP3	set OP2	set OP1	set OP0

Table 3-44. Set Output Port Bits Register (SOPR) (Address 0xE) Bit Description

BIT(S)	SYMBOL	DESCRIPTION
7	–	OPR7 1 = set bit 0 = no change
6	–	OPR6 1 = set bit 0 = no change
5	–	OPR5 1 = set bit 0 = no change
4	–	OPR4 1 = set bit 0 = no change

Table 3-44. Set Output Port Bits Register (SOPR) (Address 0xE) Bit Description (continued)

BIT(S)	SYMBOL	DESCRIPTION
3	–	OPR3 1 = set bit 0 = no change
2	–	OPR2 1 = set bit 0 = no change
1	–	OPR1 1 = set bit 0 = no change
0	–	OPR0 1 = set bit 0 = no change

3.3.7 Reset Output Port Bits Register (ROPR)

Ones in the byte written to the ROPR will cause the corresponding bit positions in the OPR to set to 0. Zeros have no effect. This allows software to reset individual bits without keeping a copy of the OPR bit configuration.

Table 3-45. Reset Output Port Bits Register (ROPR) (Address 0xF) Bit Allocation

7	6	5	4	3	2	1	0
reset OP7	reset OP6	reset OP5	reset OP4	reset OP3	reset OP2	reset OP1	reset OP0

Table 3-46. Reset Output Port Bits Register (ROPR) (Address 0xF) Bit Description

BIT(S)	SYMBOL	DESCRIPTION
7	–	OPR7 1 = reset bit 0 = no change
6	–	OPR6 1 = reset bit 0 = no change
5	–	OPR5 1 = reset bit 0 = no change
4	–	OPR4 1 = reset bit 0 = no change
3	–	OPR3 1 = reset bit 0 = no change
2	–	OPR2 1 = reset bit 0 = no change
1	–	OPR1 1 = reset bit 0 = no change
0	–	OPR0 1 = reset bit 0 = no change

3.3.8 Output Port Register (OPR)

The output pins (OP pins) drive the complement of the data in this register as controlled by SOPR and ROPR.

Table 3-47. Output Port Bits Register (OPR) (No Address) Bit Allocation

7	6	5	4	3	2	1	0
OP7	OP6	OP5	OP4	OP3	OP2	OP1	OP0

Table 3-48. Output Port Bits Register (OPR) (Address 0xF) Bit Description

BIT(S)	SYMBOL	DESCRIPTION
7	–	pin OP7 0 = pin HIGH 1 = pin LOW
6	–	pin OP6 0 = pin HIGH 1 = pin LOW
5	–	pin OP5 0 = pin HIGH 1 = pin LOW
4	–	pin OP4 0 = pin HIGH 1 = pin LOW
3	–	pin OP3 0 = pin HIGH 1 = pin LOW
2	–	pin OP2 0 = pin HIGH 1 = pin LOW
1	–	pin OP1 0 = pin HIGH 1 = pin LOW
0	–	pin OP0 0 = pin HIGH 1 = pin LOW

3.3.9 Auxiliary Control Register (ACR)

Table 3-49. Auxiliary Control Register (ACR) (Address 0x4) Bit Allocation

7	6	5	4	3	2	1	0
BRG set select	counter/timer mode and clock source select			enable IP3 COS interrupt	enable IP2 COS interrupt	enable IP1 COS interrupt	enable IP0 COS interrupt

Table 3-50. Auxiliary Control Register (ACR) (Address 0x4) Bit Description

BIT(S)	SYMBOL	DESCRIPTION
7	–	Baud rate generator set select. This bit selects one of two sets of baud rates to be generated by the BRG (see Table 3-32). The selected set of rates is available for use by the channel A and B receivers and transmitters as described in CSRA and CSRB. Baud rate generator characteristics are given in Table 3-33 .
6 to 4	–	Counter/timer mode and clock source select. This field selects the operating mode of the counter/timer and its clock source as shown in Table 3-51 .

Table 3-50. Auxiliary Control Register (ACR) (Address 0x4) Bit Description (continued)

BIT(S)	SYMBOL	DESCRIPTION
3 to 0	–	IP3, IP2, IP1 and IP0 change-of-state interrupt enable. 0 = off 1 = enabled This field selects which bits of the input port change register (IPCR) cause the input change bit in the interrupt status register (ISR [7]) to be set. If a bit is in the enabled state the setting of the corresponding bit in the IPCR will also result in the setting of ISR [7], which results in the generation of an interrupt output if IMR [7] = 1. If a bit is in the off state, the setting of that bit in the IPCR has no effect on ISR [7].

Table 3-51. ACR[6:4] Field Definition⁽¹⁾

ACR[6:4]	MODE	CLOCK SOURCE
000	Counter	External IP2
001	Counter	TxCA – 1x clock of channel A transmitter
010	Counter	TxCB – 1x clock of channel B transmitter
011	Counter	Crystal or external clock (X1/CLK) divided by 16
100	Timer	External (IP2)
101	Timer	External (IP2) divided by 16
110	Timer	Crystal or external clock (X1/CLK)
111	Timer	Crystal or external clock (X1/CLK) divided by 16

(1) The timer mode generates a square wave.

3.3.10 Input Port Change Register (IPCR)

Table 3-52. Input Port Change Register (IPCR) (Address 0x4) Bit Allocation

7	6	5	4	3	2	1	0
Δ IP3	Δ IP2	Δ IP1	Δ IP0	state of IP3	state of IP2	state of IP1	state of IP0

Table 3-53. Input Port Change Register (IPCR) (Address 0x4) Bit Description

BIT(S)	SYMBOL	DESCRIPTION
7 to 4	–	IP3, IP2, IP1 and IP0 change of state. 0 = no change 1 = change These bits are set when a change of state, as defined in Section 2.2.9 , occurs at the respective input pins. They are cleared when the IPCR is read by the CPU. A read of the IPCR also clears ISR[7], the input change bit in the interrupt status register. The setting of these bits can be programmed to generate an interrupt to the CPU.
3 to 0	–	IP3, IP2, IP1 and IP0 state. 0 = LOW 1 = HIGH These bits provide the current state of the respective inputs. The information is unlatched and reflects the state of the input pins at the time the IPCR is read.

3.3.11 Interrupt Status Register (ISR)

This register provides the status of all potential interrupt sources. The contents of this register are masked by the Interrupt Mask Register (IMR). If a bit in the ISR is a logic 1 and the corresponding bit in the IMR is also a logic 1, the INTRN output will be asserted (LOW). If the corresponding bit in the IMR is a zero, the state of the bit in the ISR has no effect on the INTRN output. Note that the IMR does not mask the reading of the ISR. The true status will be provided regardless of the contents of the IMR. The contents of this register are initialized to 0x0 when the DUART is reset.

Table 3-54. Interrupt Status Register (ISR) (Address 0x5) Bit Allocation

7	6	5	4	3	2	1	0
change input port	change break B	RxRDYB	TxRDYB	counter ready	change break A	RxRDYA	TxRDYA

Table 3-55. Interrupt Status Register (ISR) (Address 0x5) Bit Description

BIT(S)	SYMBOL	DESCRIPTION
7	–	Input port change status. 0 = not active 1 = active This bit is a logic 1 when a change of state has occurred at the IP0, IP1, IP2, or IP3 inputs and that event has been selected to cause an interrupt by the programming of ACR[3:0]. The bit is cleared when the CPU reads the IPCR.
6	–	Channel B change in break. 0 = not active 1 = active This bit, when set, indicates that the channel B receiver has detected the beginning or the end of a received break. It is reset when the CPU issues a channel B reset break change interrupt command.
5	RxRDYB	RxB interrupt. 0 = not active 1 = active This bit indicates that the channel B receiver is interrupting according to the fill level programmed by the MR0 and MR1 registers or the watchdog timer has timed-out. This bit has a different meaning than the receiver ready/full bit in the status register.
4	TxRDYB	TxB interrupt. 0 = not active 1 = active This bit indicates that the channel B transmitter is interrupting according to the interrupt level programmed in the MR0[5:4] bits. This bit has a different meaning than the TxRDY bit in the status register.
3	–	Counter ready. 0 = not active 1 = active In the counter mode, this bit is set when the counter reaches terminal count and is reset when the counter is stopped by a stop counter command. In the timer mode, this bit is set once each cycle of the generated square wave (every other time that the counter/timer reaches zero count). The bit is reset by a stop counter command. The command, however, does not stop the counter/timer.
2	–	Channel A change in break. 0 = not active 1 = active This bit, when set, indicates that the channel A receiver has detected the beginning or the end of a received break. It is reset when the CPU issues a channel A reset break change interrupt command.
1	RxRDYA	RxA interrupt. 0 = not active 1 = active This bit indicates that the channel A receiver is interrupting according to the fill level programmed by the MR0 and MR1 registers or the watchdog timer has timed-out. This bit has a different meaning than the receiver ready/full bit in the status register.
0	TxRDYA	TxA interrupt. 0 = not active 1 = active This bit indicates that the channel A transmitter is interrupting according to the interrupt level programmed in the MR0[5:4] bits. This bit has a different meaning than the TxRDY bit in the status register.

3.3.12 Interrupt Mask Register (IMR)

The programming of this register selects which bits in the ISR causes an interrupt output. If a bit in the ISR is a logic 1 and the corresponding bit in the IMR is also a logic 1 the INTRN output will be asserted. If the corresponding bit in the IMR is a zero, the state of the bit in the ISR has no effect on the INTRN output. Note that the IMR does not mask the programmable interrupt outputs OP3 to OP7 or the reading of the ISR.

Table 3-56. Interrupt Mask Register (IMR) (Address 0x5) Bit Allocation

7	6	5	4	3	2	1	0
input port change	change break B	RxRDYB FFULLB	TxRDYB	counter ready	change break A	RxRDYA FFULLA	TxRDYA

Table 3-57. Interrupt Mask Register (IMR) (Address 0x5) Bit Description

BIT(S)	SYMBOL	DESCRIPTION
7	–	Input port change. 0 = not enabled 1 = enabled
6	–	Channel B change in break. 0 = not enabled 1 = enabled
5	RxRDYB FFULLB	RxB interrupt. 0 = not enabled 1 = enabled
4	TxRDYB	TxB interrupt. 0 = not enabled 1 = enabled
3	–	Counter ready. 0 = not enabled 1 = enabled
2	–	Channel A change in break. 0 = not enabled 1 = enabled
1	RxRDYA FFULLA	RxA interrupt. 0 = not enabled 1 = enabled
0	TxRDYA	TxA interrupt. 0 = not enabled 1 = enabled

3.3.13 Interrupt Vector Register (IVR; 68xxx Mode) or General Purpose Register (GP; 80xxx Mode)

This register stores the Interrupt Vector. It is initialized to 0x0F on hardware reset and is usually changed from this value during initialization of the TL28L92. The contents of this register will be placed on the data bus when IACKN is asserted LOW or a read of address 0xC is performed.

When not operating in the 68xxx mode, this register may be used as a general purpose one byte storage register. A convenient use could be to store a shadow of the contents of another TL28L92 register (IMR, for example).

Table 3-58. Interrupt Vector Register (IVR; 68xxx Mode) or General Purpose Register (GP; 80xxx Mode) (Address 0xc) Bit Allocation

7	6	5	4	3	2	1	0
interrupt vector (68xxx mode) or one byte storage (80xxx mode)							

3.3.14 Counter/Timer Registers

Table 3-59. Counter/Timer Preset Upper (CTPU) (Address 0x6) Bit Description

BIT(S)	SYMBOL	DESCRIPTION
7:0	–	The upper eight (8) bits for the 16-bit counter/timer preset register

Table 3-60. Counter/Timer Preset Lower (CTPL) (Address 0x7) Bit Description

BIT(S)	SYMBOL	DESCRIPTION
7:0	–	The lower eight (8) bits for the 16-bit counter/timer preset register

The CTPU and CTPL hold the eight MSBs and eight LSBs, respectively, of the value to be used by the counter/timer in either the counter or timer modes of operation. The minimum value which may be loaded into the CTPU/CTPL registers is 0x0002. Note that these registers are write only and cannot be read by the CPU.

In the timer mode, the C/T generates a square wave whose period is twice the value (in C/T clock periods) of the CTPU and CTPL. The waveform so generated is often used for a data clock. The formula for calculating the divisor n to load to the CTPU and CTPL for a particular $1 \times$ data clock is:

$$n = \frac{\text{counter/timer clock frequency}}{2 \times 16 \times (\text{desired baud rate})}$$

Often this division will result in a non-integer number; 26.3, for example. One can only program integer numbers in a digital divider. Therefore, 26 would be chosen. This gives a baud rate error of 0.3/26.3 which is 1.14 %; well within the ability asynchronous mode of operation.

The C/T will not be running until it receives an initial start counter command (read at address A3 to A0 = 1110). After this, while in timer mode, the C/T will run continuously. Receipt of a start counter command (read with A3 to A0 = 1110) causes the counter to terminate the current timing cycle and to begin a new cycle using the values in CTPU and CTPL. If the value in CTPU and CTPL is changed, the current half-period will not be affected, but subsequent half periods will be affected.

The counter ready status bit (ISR[3]) is set once each cycle of the square wave. The bit is reset by a stop counter command (read with A3 to A0 = 1111). The command however, does not stop the C/T. The generated square wave is output on OP3 if it is programmed to be the C/T output. In the counter mode, the value C/T loaded into CTPU and CTPL by the CPU is counted down to 0. Counting begins upon receipt of a start counter command. Upon reaching terminal count 0x0000, the counter ready interrupt bit (ISR[3]) is set. The counter continues counting past the terminal count until stopped by the CPU. If OP3 is programmed to be the output of the C/T, the output remains HIGH until terminal count is reached, at which time it goes LOW. The output returns to the HIGH state and ISR[3] is cleared when the counter is stopped by a stop counter command. The CPU may change the values of CTPU and CTPL at any time, but the new count becomes effective only on the next start counter commands. If new values have not been loaded, the previous count values are preserved and used for the next count cycle.

In the counter mode, the current value of the upper and lower 8 bits of the counter (CTU, CTL) may be read by the CPU. It is recommended that the counter be stopped when reading to prevent potential problems which may occur if a carry from the lower 8 bits to the upper 8 bits occurs between the times that both halves of the counter are read. However, note that a subsequent start counter command will cause the counter to begin a new count cycle using the values in CTPU and CTPL.

When the C/T clock divided by 16 is selected, the maximum divisor becomes 1,048,575.

3.4 Output Port Notes

The output ports are controlled from four places: the OPCR register, the OPR register, the MR registers and the command register. The OPCR register controls the source of the data for the output ports OP2 to OP7. The data source for output ports OP0 and OP1 is controlled by the MR and CR registers. When the OPR is the source of the data for the output ports, the data at the ports is inverted from that in the OPR register.

The content of the OPR register is controlled by the Set Output Port bits command and the Reset Output Port bits command. These commands are at 0xE and 0xF, respectively. When these commands are used, action takes place only at the bit locations where ones exist. For example, a logic 1 in bit location 5 of the data word used with the Set Output Port bits command will result in OPR5 being set to one. The OP5 would then be set to logic 0 (V_{SS}). Similarly, a logic 1 in bit position 5 of the data word associated with the Reset Output Ports bits command would set OPR5 to logic 0 and, hence, the pin OP5 to a logic 1 (V_{DD}).

3.5 CTS, RTS, CTS Enable Tx Signals

Clear To Send (CTS) is usually meant to be a signal to the transmitter meaning that it may transmit data to the receiver. The CTS input is on pin IP0 for TxA and on IP1 for TxB. The CTS signal is active LOW; thus, it is called CTSAN for TxA and CTSBN for TxB. RTS is usually meant to be a signal from the receiver indicating that the receiver is ready to receive data. It is also active LOW and is, thus, called RTSAN for RxA and RTSBN for RxB. RTSAN is on pin OP0 and RTSBN is on OP1. A receiver's RTS output will usually be connected to the CTS input of the associated transmitter. Therefore, one could say that RTS and CTS are different ends of the same wire.

MR2[4] is the bit that allows the transmitter to be controlled by the CTS pin (IP0 or IP1). When this bit is set to one AND the CTS input is driven HIGH, the transmitter will stop sending data at the end of the present character being serialized. It is usually the RTS output of the receiver that will be connected to the transmitter's CTS input. The receiver will set RTS HIGH when the receiver FIFO is full AND the start bit of the 9th or 17th character is sensed. Transmission then stops with 9 or 17 valid characters in the receiver. When MR2[4] is set to one, CTSN must be at zero for the transmitter to operate. If MR2[4] is set to zero, the IP pin will have no effect on the operation of the transmitter. MR1[7] is the bit that allows the receiver to control OP0. When OP0 (or OP1) is controlled by the receiver, the meaning of that pin will be.

4 Electrical Specifications

4.1 ABSOLUTE MAXIMUM RATINGS⁽¹⁾

over operating free-air temperature range (unless otherwise noted)

		MIN	MAX	UNIT
T_{amb}	Ambient temperature ⁽²⁾ ⁽³⁾	−40	85	°C
T_{stg}	Storage temperature	−65	150	°C
V_{CC}	Voltage from V_{CC} to GND ⁽³⁾	−0.5	7	V
V_S	Voltage from any pin to GND ⁽³⁾	−0.5	$V_{CC} + 0.5$	V
P_D	Package power dissipation	QFP44 package	1.78	W
		HVQFN48 package	0.5	
P_{der}	Dissipation derating factor (above 25°C)	QFP44 package	14	mW/°C
		HVQFN48 package	28	

- (1) Stresses beyond those listed under "absolute maximum ratings" may cause permanent damage to the device. These are stress ratings only, and functional operation of the device at these or any other conditions beyond those indicated under "recommended operating conditions" is not implied. Exposure to absolute-maximum-rated conditions for extended periods may affect device reliability.
- (2) For operation at elevated temperatures, the device must be derated based on 150°C maximum junction temperature.
- (3) Parameters are valid over specified temperature range.

4.2 STATIC CHARACTERISTICS FOR 5-V OPERATION⁽¹⁾ ⁽²⁾

$V_{CC} = 5\text{ V} \pm 10\%$; $T_{amb} = -40^\circ\text{C}$ to 85°C (unless otherwise noted)

SYMBOL	PARAMETER	TEST CONDITIONS	MIN	TYP	MAX	UNIT	
V_{IL}	Low-level input voltage				0.8	V	
V_{IH}	High-level input voltage	Except pin X1/CLK	2.4	1.5		V	
		Pin X1/CLK	$0.8 \times V_{CC}$	2.4			
V_{OL}	Low-level output voltage	$I_{OL} = 2.4\text{ mA}$		0.2	0.4	V	
V_{OH}	High-level output voltage	Except open-drain outputs ⁽³⁾ ; $I_{OH} = -400\ \mu\text{A}$	$V_{CC} - 0.5$			V	
$I_{I(1XPD)}$	Power-down mode input current on pin X1/CLK	$V_I = 0\text{ V}$ to V_{CC}	0.5	0.05	0.5	μA	
$I_{IL(X1)}$	Low-level operating input current on pin X1/CLK	$V_I = 0\text{ V}$			0	μA	
$I_{IH(X1)}$	High-level operating input current on pin X1/CLK	$V_I = V_{CC}$			130	μA	
I_I	Input leakage current	$V_I = 0\text{ V}$ to V_{CC} ,	All except input port pins	−0.5	0.05	0.5	μA
			Input port pins ⁽⁴⁾	−8	−2	0.5	
I_{OZH}	High-level output OFF current (3-state data bus)	$V_I = V_{CC}$			0.5	μA	
I_{OZL}	Low-level output OFF current (3-state data bus)	$V_I = 0\text{ V}$	−0.5			μA	
I_{ODL}	Low-level output current in OFF state (open drain)	$V_I = 0\text{ V}$	−0.5			μA	
I_{ODH}	High-level output current in OFF state (open drain)	$V_I = V_{CC}$			0.5	μA	

- (1) All voltage measurements are referenced to ground. For testing, all inputs swing between 0.4 V and 3 V with a transition time of 5 ns maximum. For X1/CLK this swing is between 0.4 V and $0.8 \times V_{CC}$. All time measurements are referenced at input voltages of 0.8 V and 2 V, and output voltages of 0.8 V and 2 V, as appropriate.
- (2) Typical values are at 25°C, typical supply voltages, and typical processing parameters.
- (3) Test conditions for outputs: $C_L = 125\text{ pF}$, except open-drain outputs. Test conditions for open-drain outputs: $C_L = 125\text{ pF}$, constant current source = 2.6 mA.
- (4) Input port pins have active pull-up transistors that will source a typical 2 μA from V_{CC} when the input pins are at VSS. Input port pins at V_{CC} source 0.0 μA .

STATIC CHARACTERISTICS FOR 5-V OPERATION ⁽¹⁾ ⁽²⁾ (continued)

$V_{CC} = 5\text{ V} \pm 10\%$; $T_{amb} = -40^{\circ}\text{C}$ to 85°C (unless otherwise noted) (continued)

SYMBOL	PARAMETER	TEST CONDITIONS		MIN	TYP	MAX	UNIT
I_{CC}	Power supply current	CMOS input levels, ⁽⁵⁾	Operating mode		7	10	mA
			Power-down mode		25	40	μA

(5) All outputs are disconnected. Inputs are switching between CMOS levels of $V_{CC} - 0.2\text{ V}$ and $V_{SS} + 0.2\text{ V}$.

4.3 STATIC CHARACTERISTICS FOR 3.3-V OPERATION ⁽¹⁾ ⁽²⁾

$V_{CC} = 3.3\text{ V} \pm 10\%$; $T_{amb} = -40^{\circ}\text{C}$ to 85°C (unless otherwise noted)

SYMBOL	PARAMETER	TEST CONDITIONS		MIN	TYP	MAX	UNIT
V_{IL}	Low-level input voltage				0.65	$0.2 \times V_{CC}$	V
V_{IH}	High-level input voltage			2.4	1.7		V
V_{OL}	Low-level output voltage	$I_{OL} = 2.4\text{ mA}$			0.2	0.4	V
V_{OH}	High-level output voltage	except open-drain outputs ⁽³⁾ ; $I_{OH} = -400\ \mu\text{A}$		$V_{CC} - 0.5$	$V_{CC} - 0.2$		V
$I_{I(1XPD)}$	Power-down mode input current on pin X1/CLK	$V_I = 0\text{ V}$ to V_{CC}		0.5	0.05	0.5	μA
$I_{IL(X1)}$	Low-level operating input current on pin X1/CLK	$V_I = 0\text{ V}$				0	μA
$I_{IH(X1)}$	High-level operating input current on pin X1/CLK	$V_I = V_{CC}$				130	μA
I_I	Input leakage current	$V_I = 0\text{ V}$ to V_{CC} ,	all except input port pins	-0.5	0.05	0.5	μA
			input port pins ⁽⁴⁾	-8	-2	0.5	
I_{OZH}	High-level output OFF current (3-state data bus)	$V_I = V_{CC}$				0.5	μA
I_{OZL}	Low-level output OFF current (3-state data bus)	$V_I = 0\text{ V}$		-0.5			μA
I_{ODL}	Low-level output current in OFF state (open drain)	$V_I = 0\text{ V}$		-0.5			μA
I_{ODH}	High-level output current in OFF state (open drain)	$V_I = V_{CC}$				0.5	μA
I_{CC}	Power supply current	CMOS input levels, ⁽⁵⁾	Operating mode		4	6	mA
			Power-down mode		15	25	μA

- (1) All voltage measurements are referenced to ground. For testing, all inputs swing between 0.4 V and 3 V with a transition time of 5 ns maximum. For X1/CLK this swing is between 0.4 V and $0.8 \times V_{CC}$. All time measurements are referenced at input voltages of 0.8 V and 2 V, and output voltages of 0.8 V and 2 V, as appropriate.
- (2) Typical values are at 25°C, typical supply voltages, and typical processing parameters.
- (3) Test conditions for outputs: $C_L = 125\text{ pF}$, except open-drain outputs. Test conditions for open-drain outputs: $C_L = 125\text{ pF}$, constant current source = 2.6 mA.
- (4) Input port pins have active pull-up transistors that will source a typical 2 μA from V_{CC} when the input pins are at V_{SS} . Input port pins at V_{CC} source 0.0 μA .
- (5) All outputs are disconnected. Inputs are switching between CMOS levels of $V_{CC} - 0.2\text{ V}$ and $V_{SS} + 0.2\text{ V}$.

4.4 DYNAMIC CHARACTERISTICS FOR 5-V OPERATION⁽¹⁾ (2) (3) (4)

over operating free-air temperature range (unless otherwise noted)

PARAMETER		TEST CONDITIONS	MIN	TYP	MAX	UNIT
Reset Timing (see Figure 5-2)						
t_{RES}	Reset pulse width		100	18		ns
Bus Timing ⁽⁵⁾ (see Figure 5-3)						
t_{AS}	A0 to A3 set-up time to RDN, WRN LOW		10	6		ns
t_{AH}	A0 to A3 hold time from RDN, WRN LOW		20	12		ns
t_{CS}	CEN set-up time to RDN, WRN LOW		0			ns
t_{CH}	CEN hold time from RDN, WRN LOW		0			ns
t_{RW}	WRN, RDN pulse width (LOW time)		15	8		ns
t_{DD}	Data valid after RDN LOW	125 pF load; see Figure 5-1 for smaller loads		40	55	ns
t_{DA}	RDN LOW to data bus active		0 ⁽⁶⁾			ns
t_{DF}	data bus floating after RDN or CEN HIGH				20	ns
t_{DI}	RDN or CEN HIGH to data bus invalid		0			ns
t_{DS}	Data bus set-up time before WRN or CEN HIGH (write cycle)		25	17		ns
t_{DH}	Data hold time after WRN HIGH		0	–12		ns
t_{RWD}	HIGH time between read and/or write cycles		17	10		ns
Port Timing ⁽⁵⁾ (see Figure 5-7)						
t_{PS}	Port in set-up time before RDN LOW (Read IP ports cycle)		0	–20		ns
t_{PH}	Port in hold time after RDN HIGH		0	–20		
t_{PD}	OP port valid after WRN or CEN HIGH (OPR write cycle)			40	60	
Interrupt Timing (see Figure 5-8)						
t_{IR}	INTRN (or OP3 to OP7 when used as interrupts)	Read Rx FIFO (RxRDY/FFULL interrupt)		40	60	ns
		Write Tx FIFO (TxRDY interrupt)		40	60	
		Reset command (delta break change interrupt)		40	60	
		Stop C/T command (counter/timer interrupt)		40	60	
		Read IPCR (delta input port change interrupt)		40	60	
		Write IMR (clear of change interrupt mask bit(s))		40	60	

- (1) Parameters are valid over specified temperature and voltage range.
- (2) All voltage measurements are referenced to ground. For testing, all inputs swing between 0.4 V and 3 V with a transition time of 5 ns maximum. For X1/CLK this swing is between 0.4 V and $0.8 \times V_{CC}$. All time measurements are referenced at input voltages of 0.8 V and 2 V, and output voltages of 0.8 V and 2 V, as appropriate.
- (3) Test conditions for outputs: $C_L = 125$ pF, except open-drain outputs. Test conditions for open-drain outputs: $C_L = 125$ pF, constant current source = 2.6 mA.
- (4) Typical values are the average values at 25°C and 5 V.
- (5) Timing is illustrated and referenced to the WRN and RDN Inputs. Also, CEN may be the strobing input. CEN and RDN (also CEN and WRN) are ORed internally. The signal asserted last initiates the cycle and the signal negated first terminates the cycle.
- (6) Ensured by characterization of sample units.

DYNAMIC CHARACTERISTICS FOR 5-V OPERATION ⁽¹⁾ ⁽²⁾ ⁽³⁾ ⁽⁴⁾ (continued)

over operating free-air temperature range (unless otherwise noted) (continued)

PARAMETER		TEST CONDITIONS	MIN	TYP	MAX	UNIT
Clock Timing (see Figure 5-9)						
t _{CLK}	X1/CLK HIGH or LOW time		30	20		ns
f _{CLK}	X1/CLK frequency		0.1 ⁽¹⁾	3.686	8	MHz
t _{CTC}	C/T clock (IP2) HIGH or LOW time (C/T external clock input)		30	10		
f _{CTC}	C/T clock (IP2) frequency		0 ⁽¹⁾		8	MHz
t _{RX}	RxC HIGH or LOW time	16x	30	10		ns
f _{RX}	RxC frequency	16x	0 ⁽¹⁾		16	MHz
		1x ⁽²⁾	0 ⁽¹⁾		1	
t _{TX}	TxC HIGH or LOW time	16x	30	10		ns
f _{TX}	TxC frequency	16x			16	MHz
		1x ⁽²⁾	0 ⁽²⁾		1	
Transmitter Timing, External Clock (see Figure 5-10)						
t _{TXD}	TxD output delay from TxC LOW (TxC input pin)			40	60	ns
t _{TCS}	Output delay from TxC output pin LOW to TxD data output			6	30	ns
Receiver Timing, External Clock (see Figure 5-11)						
t _{RXS}	RxD data set-up time to RxC HIGH		50	40		ns
t _{RXH}	RxD data hold time from RxC HIGH		50	40		ns
68xxx or Motorola Bus Timing (see Figure 5-3 , Figure 5-4 , and Figure 5-5) ⁽³⁾						
t _{DCR}	DACKN LOW (read cycle) from X1 HIGH			15	35	ns
t _{DCW}	DACKN LOW (write cycle) from X1 HIGH			15	35	ns
t _{DAT}	DACKN high-impedance from CEN or IACKN HIGH			8	10	ns
t _{CSC}	CEN or IACKN set-up time to X1 HIGH for minimum DACKN cycle		16	8		ns

- (1) Minimum frequencies are not tested but are ensured by design.
- (2) Clocks for 1x mode should maintain a 60/40 duty cycle or better.
- (3) Minimum DACKN time is ((t_{DCR} or t_{DCW}) t_{CSC} + 2 X1 edges + rise time over 5 ns). Two X1 edges is 273 ns at 3.6864 MHz. For faster bus cycles, the 80xxx bus timing may be used while in the 68xxx mode. It is not necessary to wait for DACKN to insure the proper operation of the SC28C92. In all cases the data will be written to the TL28L92 on the falling edge of DACKN or the rise of CEN. The fall of CEN initializes the bus cycle. The rise of CEN ends the bus cycle. DACKN LOW or CEN HIGH completes the write cycle.

4.5 DYNAMIC CHARACTERISTICS FOR 3.3-V OPERATION^{(1) (2) (3) (4)}

over operating free-air temperature range (unless otherwise noted)

PARAMETER		TEST CONDITIONS	MIN	TYP	MAX	UNIT
Reset Timing (see Figure 5-2)						
t _{RES}	Reset pulse width		100	20		ns
Bus Timing ⁽⁵⁾ (see Figure 5-3)						
t _{AS}	A0 to A3 set-up time to RDN, WRN LOW		10	6		ns
t _{AH}	A0 to A3 hold time from RDN, WRN LOW		33	16		ns
t _{CS}	CEN set-up time to RDN, WRN LOW		0			ns
t _{CH}	CEN hold time from RDN, WRN LOW		0			ns
t _{RW}	WRN, RDN pulse width (LOW time)		20	10		ns
t _{DD}	Data valid after RDN LOW	125 pF load; see Figure 5-1 for smaller loads		46	75	ns
t _{DA}	RDN LOW to data bus active		0 ⁽⁶⁾			ns
t _{DF}	data bus floating after RDN or CEN HIGH			15	20	ns
t _{DI}	RDN or CEN HIGH to data bus invalid		0			ns
t _{DS}	Data bus set-up time before WRN or CEN HIGH (write cycle)		43	20		ns
t _{DH}	Data hold time after WRN HIGH		0	–15		ns
t _{RWD}	HIGH time between read and/or write cycles		27	10		ns
Port Timing ⁽⁵⁾ (see Figure 5-7)						
t _{PS}	Port in set-up time before RDN LOW (Read IP ports cycle)		0	–20		ns
t _{PH}	Port in hold time after RDN HIGH		0	–20		
t _{PD}	OP port valid after WRN or CEN HIGH (OPR write cycle)			50	75	
Interrupt Timing (see Figure 5-8)						
t _{IR}	INTRN (or OP3 to OP7 when used as interrupts)	Read Rx FIFO (RxRDY/FFULL interrupt)		40	79	ns
		Write Tx FIFO (TxRDY interrupt)		40	79	
		Reset command (delta break change interrupt)		40	79	
		Stop C/T command (counter/timer interrupt)		40	79	
		Read IPCR (delta input port change interrupt)		40	79	
		Write IMR (clear of change interrupt mask bit(s))		40	79	

- (1) Parameters are valid over specified temperature and voltage range.
- (2) All voltage measurements are referenced to ground. For testing, all inputs swing between 0.4 V and 3 V with a transition time of 5 ns maximum. For X1/CLK this swing is between 0.4 V and 0.8 × V_{CC}. All time measurements are referenced at input voltages of 0.8 V and 2 V, and output voltages of 0.8 V and 2 V, as appropriate.
- (3) Test conditions for outputs: C_L = 125 pF, except open-drain outputs. Test conditions for open-drain outputs: C_L = 125 pF, constant current source = 2.6 mA.
- (4) Typical values are the average values at 25°C and 5 V.
- (5) Timing is illustrated and referenced to the WRN and RDN Inputs. Also, CEN may be the strobing input. CEN and RDN (also CEN and WRN) are ORed internally. The signal asserted last initiates the cycle and the signal negated first terminates the cycle.
- (6) Ensured by characterization of sample units.

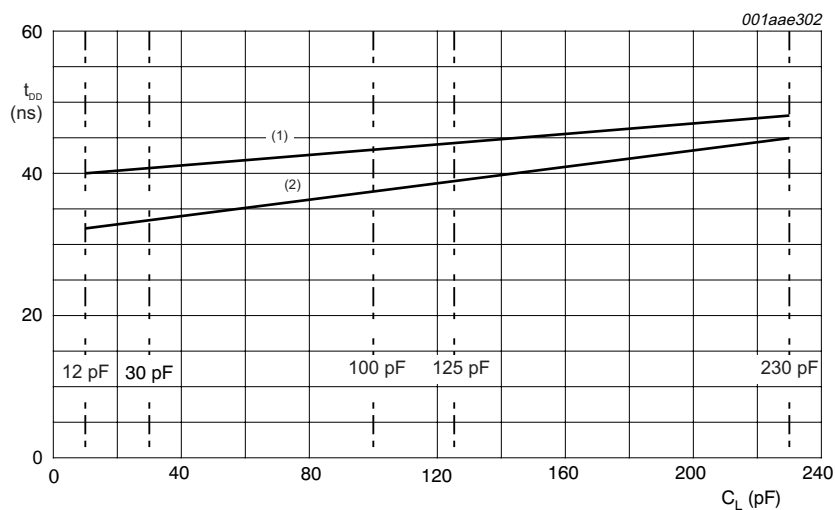
DYNAMIC CHARACTERISTICS FOR 3.3-V OPERATION ⁽¹⁾ ⁽²⁾ ⁽³⁾ ⁽⁴⁾ (continued)
over operating free-air temperature range (unless otherwise noted) (continued)

PARAMETER		TEST CONDITIONS	MIN	TYP	MAX	UNIT
Clock Timing (see Figure 5-9)						
t _{CLK}	X1/CLK HIGH or LOW time		35	25		ns
f _{CLK}	X1/CLK frequency		0.1 ⁽¹⁾	3.686	8	MHz
t _{CTC}	C/T clock (IP2) HIGH or LOW time (C/T external clock input)		30	15		
f _{CTC}	C/T clock (IP2) frequency		0 ⁽¹⁾		8	MHz
t _{RX}	RxC HIGH or LOW time	16x	30	10		ns
f _{RX}	RxC frequency	16x	0 ⁽¹⁾		16	MHz
		1x ⁽²⁾	0 ⁽¹⁾		1	
t _{TX}	TxC HIGH or LOW time	16x	30	15		ns
f _{TX}	TxC frequency	16x			16	MHz
		1x ⁽²⁾	0 ⁽²⁾		1	
Transmitter Timing, External Clock (see Figure 5-10)						
t _{TXD}	TxD output delay from TxC LOW (TxC input pin)			40	78	ns
t _{TCS}	Output delay from TxC output pin LOW to TxD data output			8	30	ns
Receiver Timing, External Clock (see Figure 5-11)						
t _{RXS}	RxD data set-up time to RxC HIGH		50	10		ns
t _{RXH}	RxD data hold time from RxC HIGH		50	10		ns
68xxx or Motorola Bus Timing (see Figure 5-3 , Figure 5-4 , and Figure 5-5) ⁽³⁾						
t _{DCR}	DACKN LOW (read cycle) from X1 HIGH			18	57	ns
t _{DCW}	DACKN LOW (write cycle) from X1 HIGH			18	57	ns
t _{DAT}	DACKN high-impedance from CEN or IACKN HIGH			10	15	ns
t _{CSC}	CEN or IACKN set-up time to X1 HIGH for minimum DACKN cycle		30	10		ns

- (1) Minimum frequencies are not tested but are ensured by design.
- (2) Clocks for 1x mode should maintain a 60/40 duty cycle or better.
- (3) Minimum DACKN time is ((t_{DCR} or t_{DCW}) t_{CSC} + 2 X1 edges + rise time over 5 ns). Two X1 edges is 273 ns at 3.6864 MHz. For faster bus cycles, the 80xxx bus timing may be used while in the 68xxx mode. It is not necessary to wait for DACKN to insure the proper operation of the SC28C92. In all cases the data will be written to the TL28L92 on the falling edge of DACKN or the rise of CEN. The fall of CEN initializes the bus cycle. The rise of CEN ends the bus cycle. DACKN LOW or CEN HIGH completes the write cycle.

5 Diagrams

5.1 Typical Performance



(1) $V_{CC} = 3.3$ V; $T_{amb} = 25^\circ\text{C}$

(2) $V_{CC} = 5.0$ V; $T_{amb} = 25^\circ\text{C}$

Bus cycle times:

80xxx mode: $t_{DD} + t_{RWD} = 70$ ns for $V_{CC} = 5$ v or 40 ns for $V_{CC} = 3.3$ V + rise and fall time of control signals.

68XXX mode: $t_{CSC} + t_{DAT} + 1$ cycle of the X1 clock for = 70 ns for $V_{CC} = 5$ V + rise and fall time of control signals.

Figure 5-1. Port Timing as a Function of Capacitive Loading at Typical Conditions

5.2 Timing Diagrams

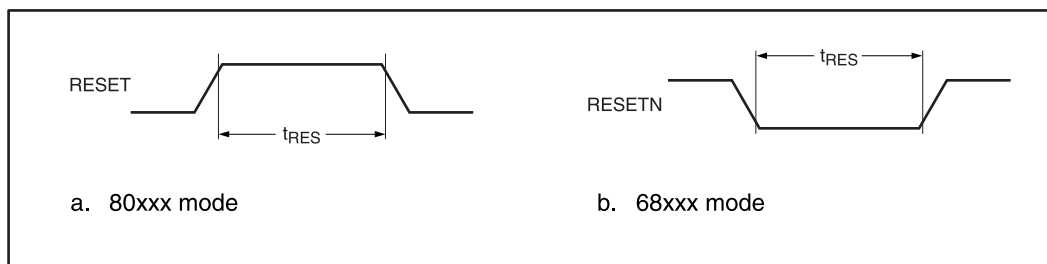


Figure 5-2. Reset Timing

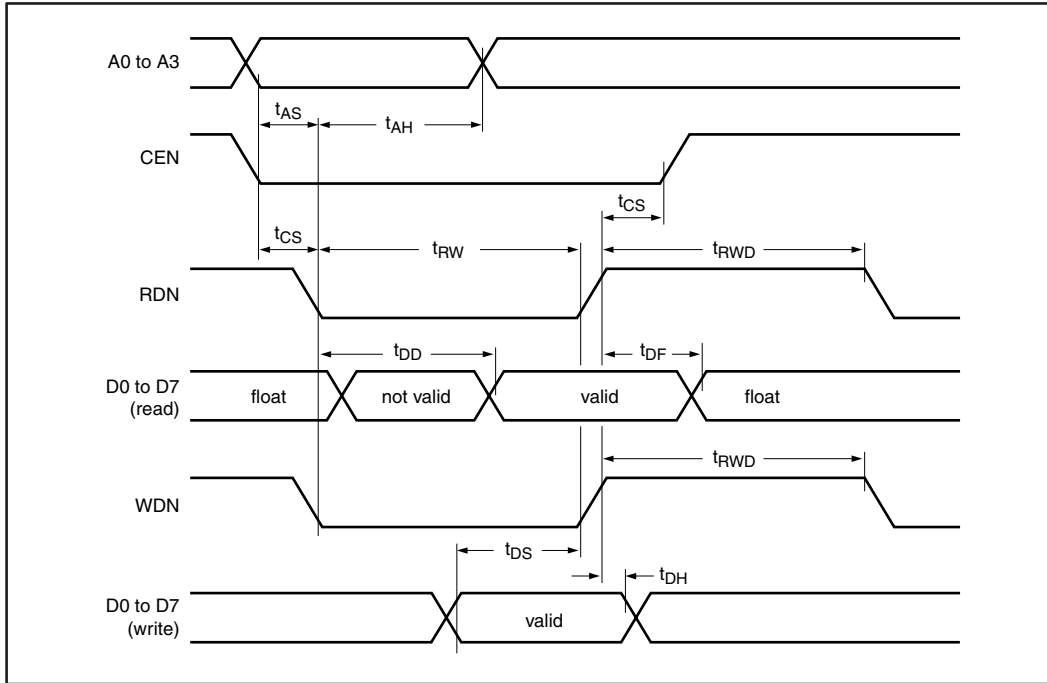


Figure 5-3. Bus Timing (80xxx Mode)

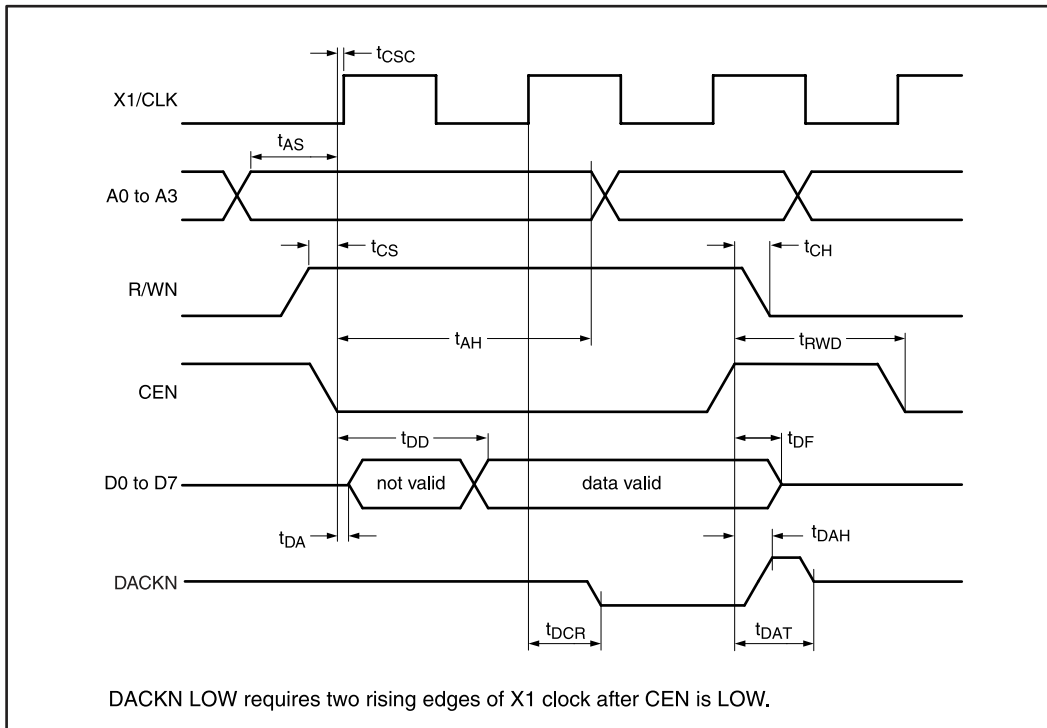


Figure 5-4. Bus Timing, Read Cycle (68xxx Mode)

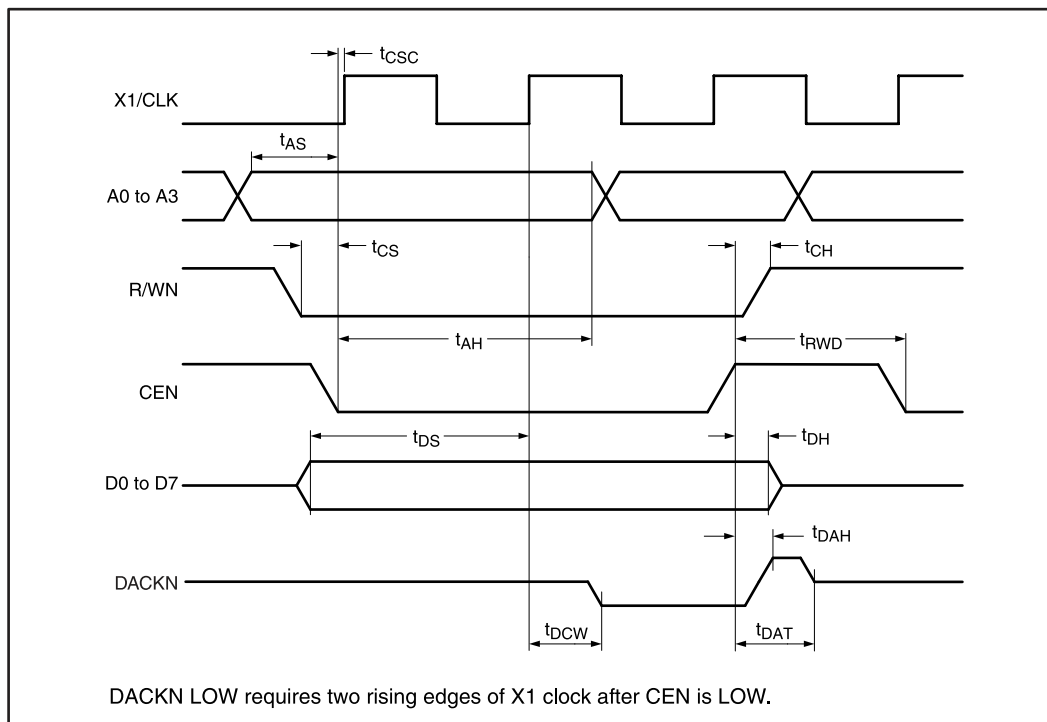


Figure 5-5. Bus Timing, Write Cycle (68xxx Mode)

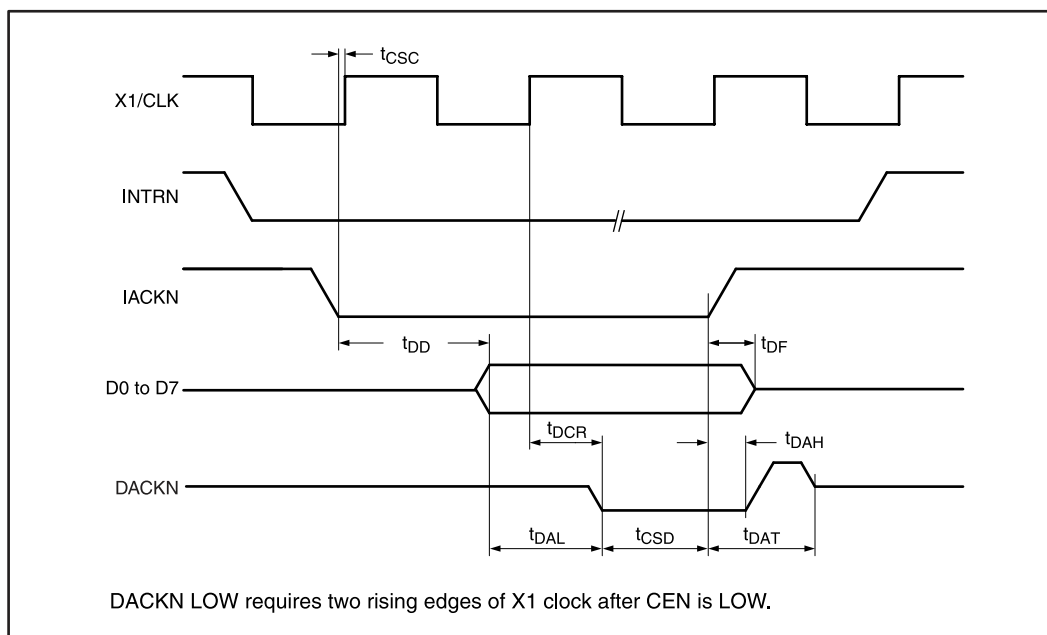


Figure 5-6. Interrupt Cycle Timing (68xxx Mode)

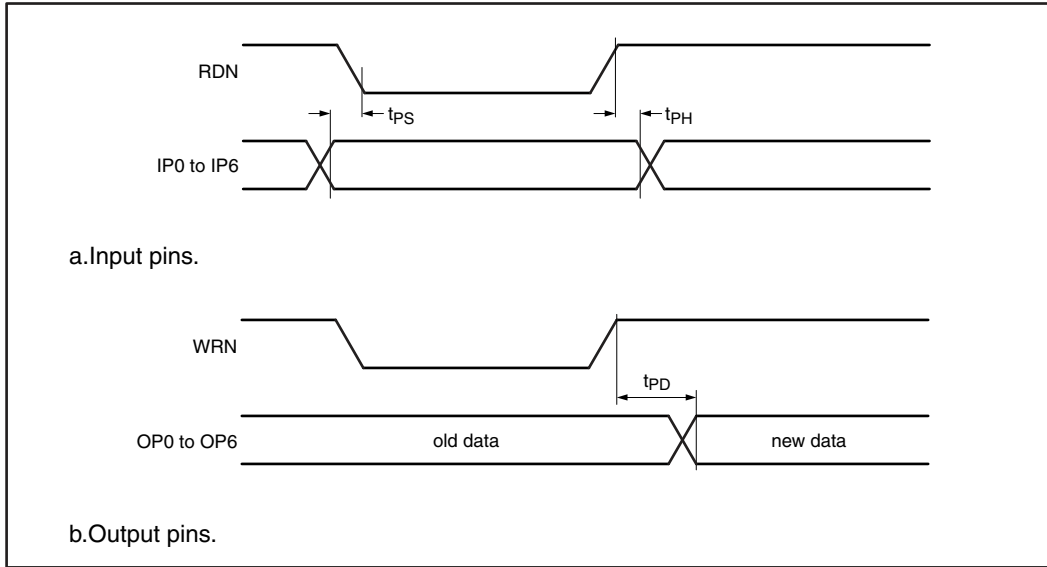


Figure 5-7. Port Timing

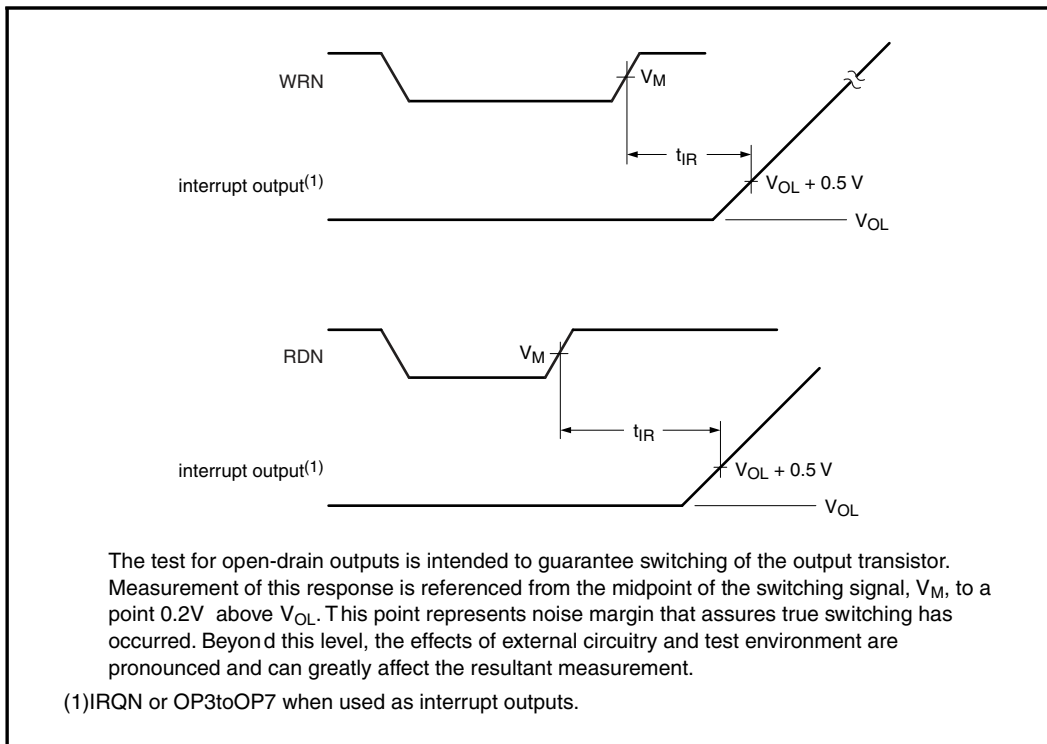


Figure 5-8. Interrupt Timing (80xxx Mode)

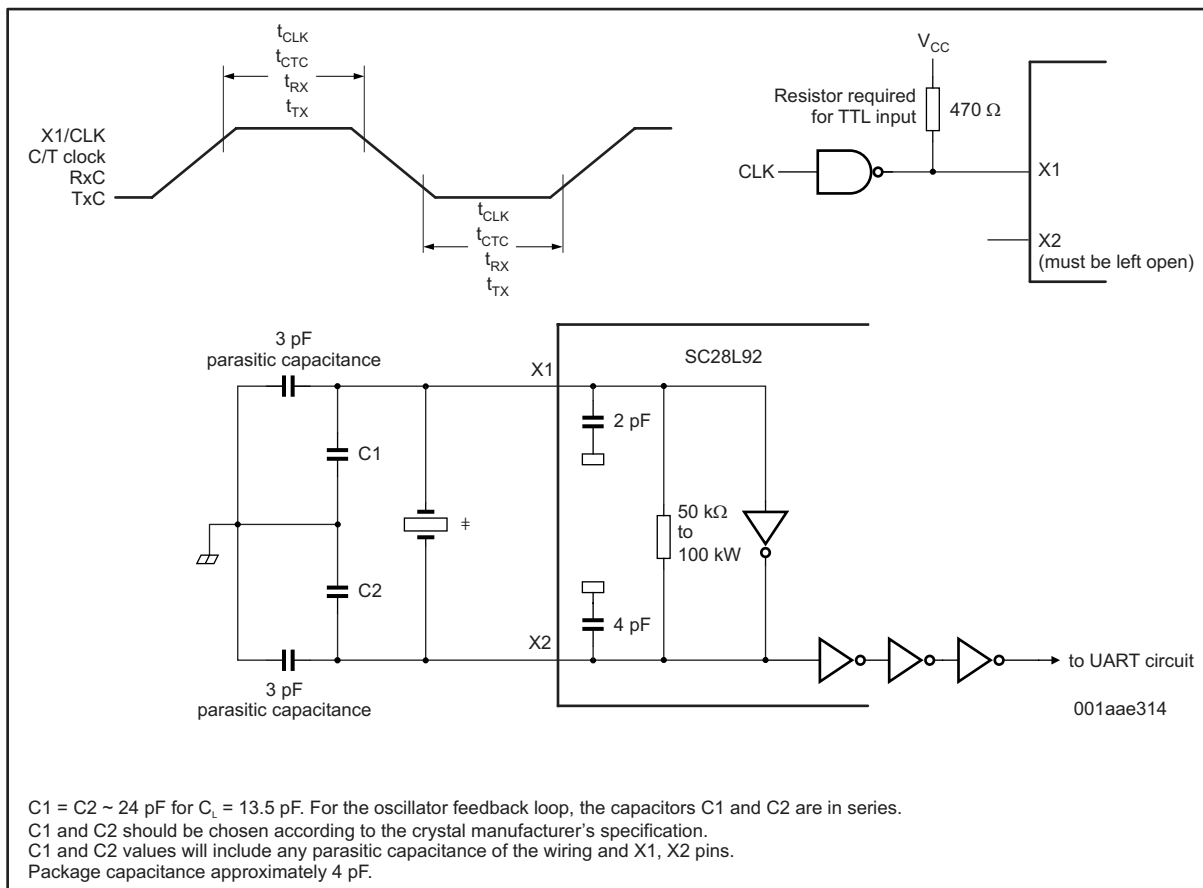


Figure 5-9. Clock Timing

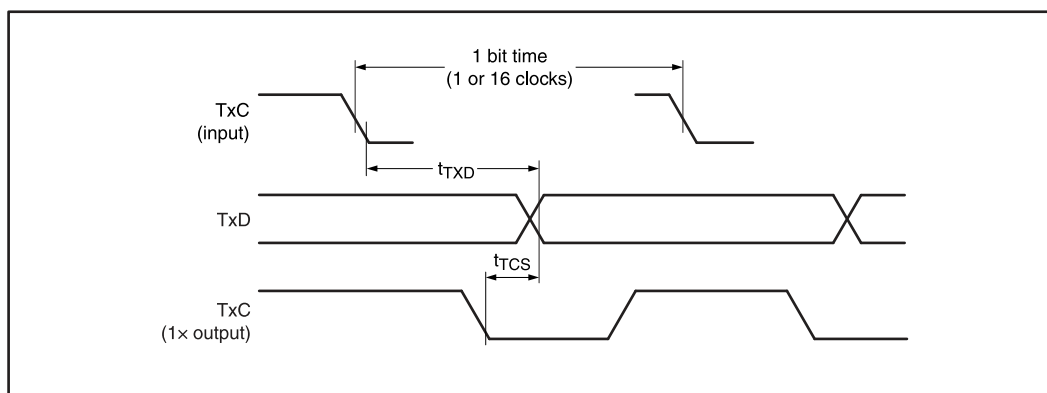


Figure 5-10. Transmitter External Clocks

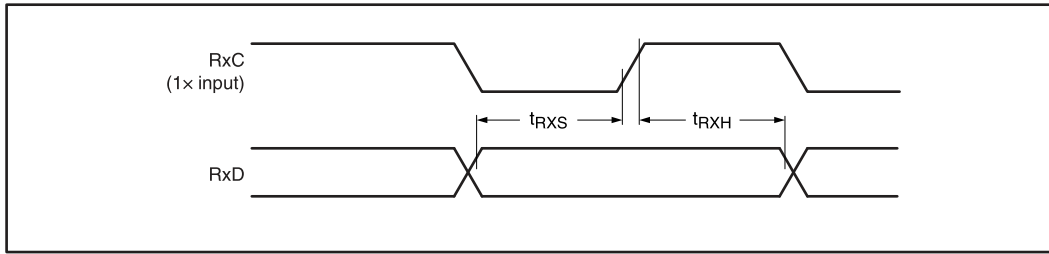


Figure 5-11. Receiver External Clocks

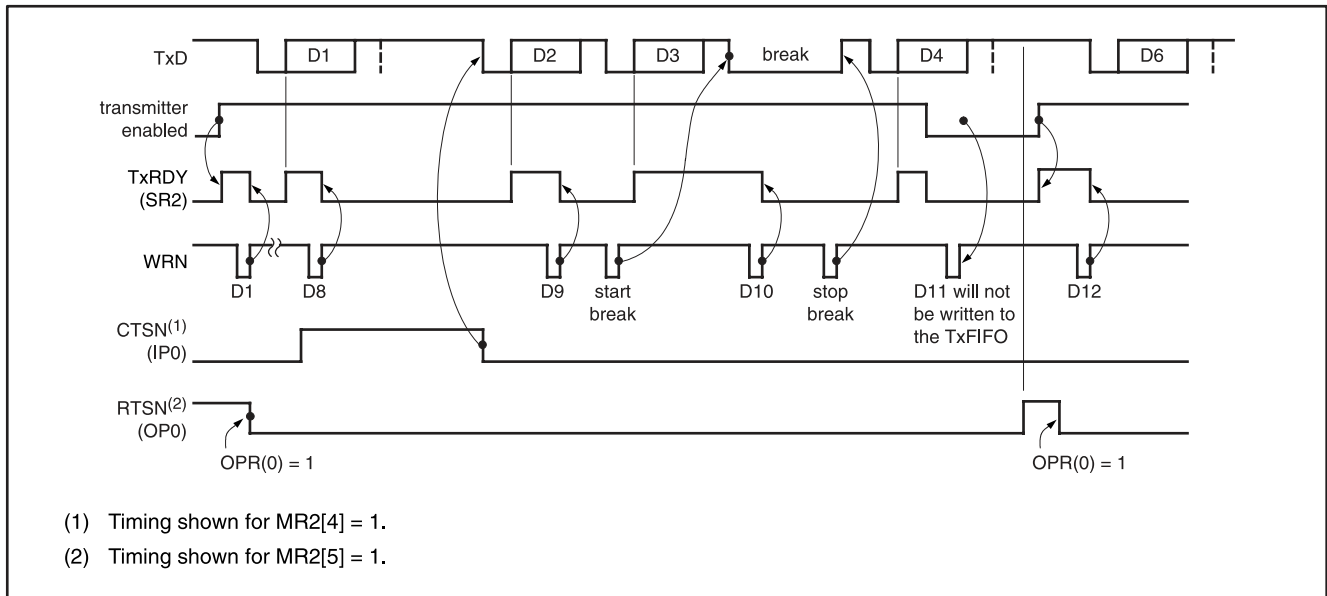


Figure 5-12. Transmitter Timing

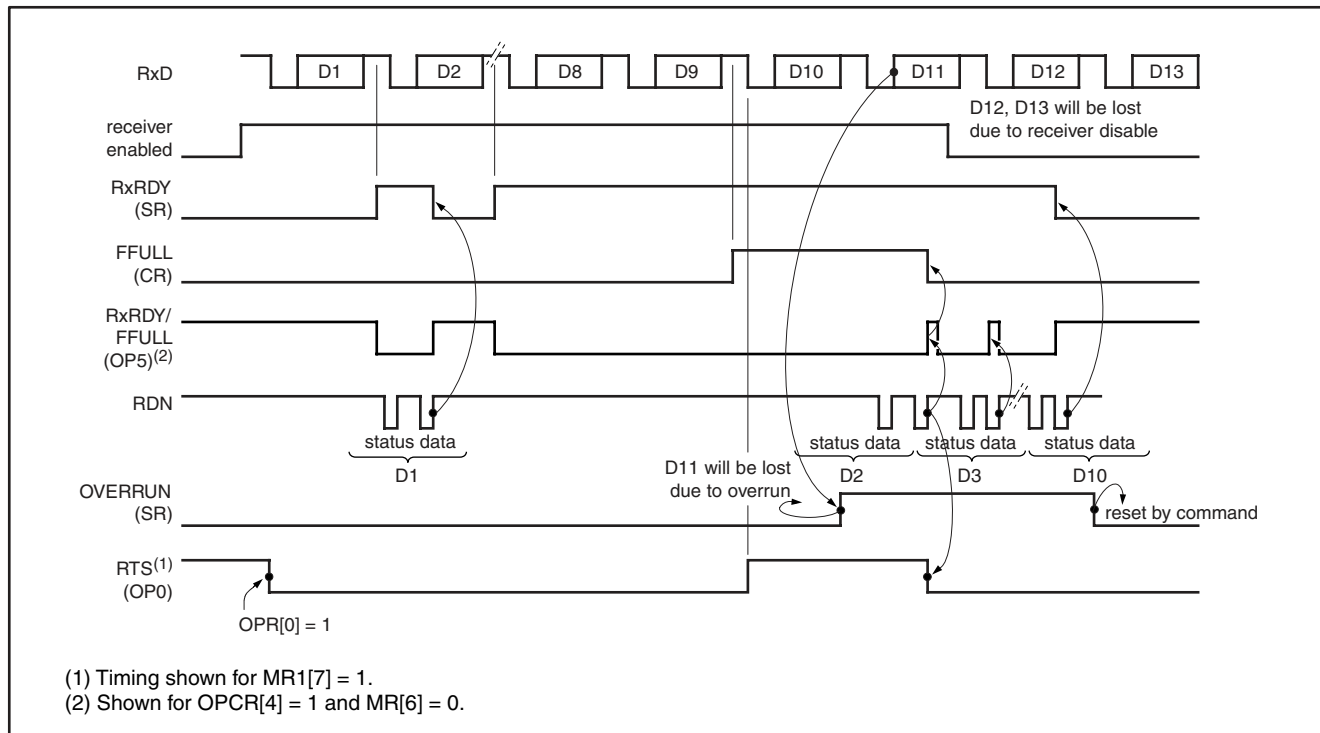


Figure 5-13. Receiver Timing

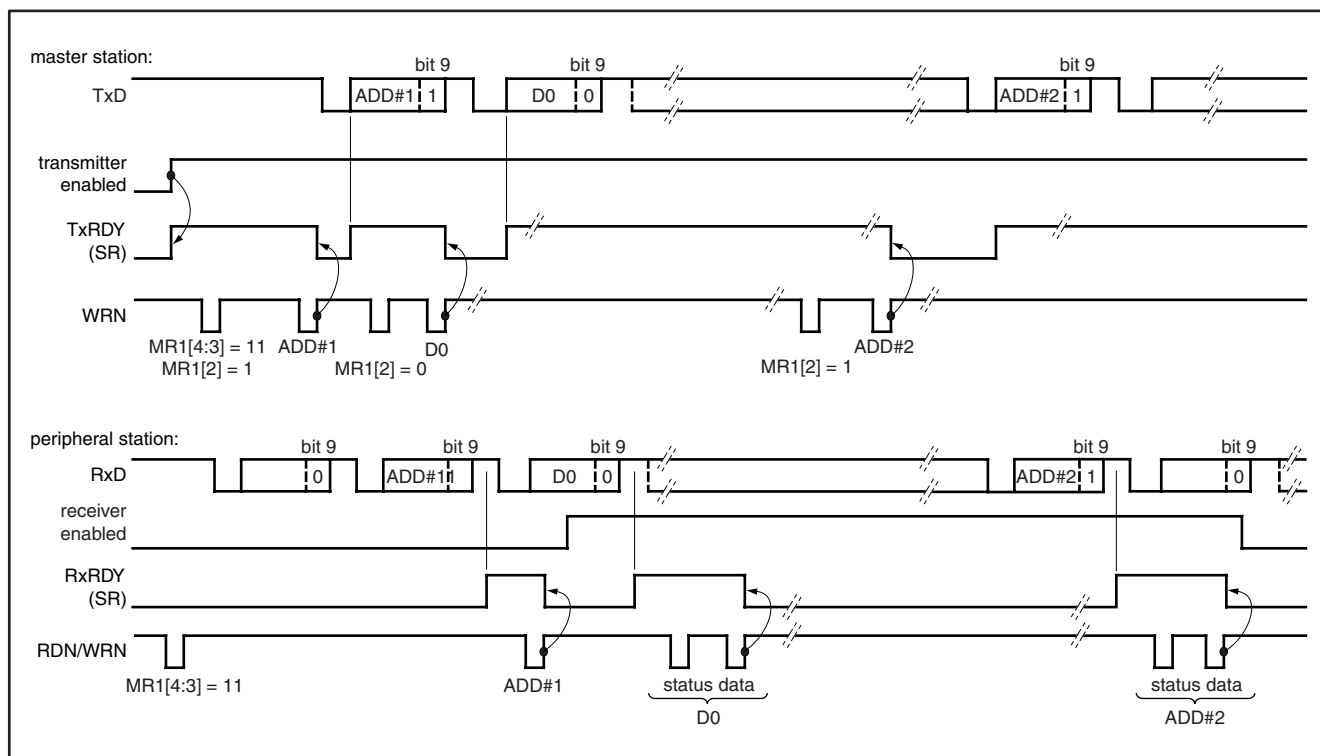


Figure 5-14. Wake-Up Mode Timing

5.3 Test Information

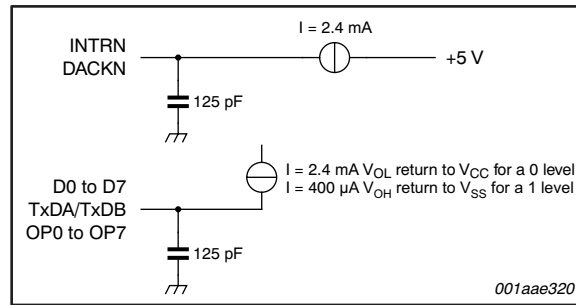


Figure 5-15. Test Conditions on Outputs

PACKAGING INFORMATION

Orderable Device	Status (1)	Package Type	Package Drawing	Pins	Package Qty	Eco Plan (2)	Lead finish/ Ball material (6)	MSL Peak Temp (3)	Op Temp (°C)	Device Marking (4/5)	Samples
TL28L92FR	ACTIVE	QFP	FR	44	96	RoHS & Green	SN	Level-3-220C-168HRS	0 to 70	TL28L92	Samples
TL28L92IFR	ACTIVE	QFP	FR	44	96	RoHS & Green	SN	Level-3-260C-168 HR	-40 to 85	TL28L92I	Samples

(1) The marketing status values are defined as follows:

ACTIVE: Product device recommended for new designs.

LIFEBUY: TI has announced that the device will be discontinued, and a lifetime-buy period is in effect.

NRND: Not recommended for new designs. Device is in production to support existing customers, but TI does not recommend using this part in a new design.

PREVIEW: Device has been announced but is not in production. Samples may or may not be available.

OBSELETE: TI has discontinued the production of the device.

(2) **RoHS:** TI defines "RoHS" to mean semiconductor products that are compliant with the current EU RoHS requirements for all 10 RoHS substances, including the requirement that RoHS substance do not exceed 0.1% by weight in homogeneous materials. Where designed to be soldered at high temperatures, "RoHS" products are suitable for use in specified lead-free processes. TI may reference these types of products as "Pb-Free".

RoHS Exempt: TI defines "RoHS Exempt" to mean products that contain lead but are compliant with EU RoHS pursuant to a specific EU RoHS exemption.

Green: TI defines "Green" to mean the content of Chlorine (Cl) and Bromine (Br) based flame retardants meet JS709B low halogen requirements of <=1000ppm threshold. Antimony trioxide based flame retardants must also meet the <=1000ppm threshold requirement.

(3) MSL, Peak Temp. - The Moisture Sensitivity Level rating according to the JEDEC industry standard classifications, and peak solder temperature.

(4) There may be additional marking, which relates to the logo, the lot trace code information, or the environmental category on the device.

(5) Multiple Device Markings will be inside parentheses. Only one Device Marking contained in parentheses and separated by a "~" will appear on a device. If a line is indented then it is a continuation of the previous line and the two combined represent the entire Device Marking for that device.

(6) Lead finish/Ball material - Orderable Devices may have multiple material finish options. Finish options are separated by a vertical ruled line. Lead finish/Ball material values may wrap to two lines if the finish value exceeds the maximum column width.

Important Information and Disclaimer:The information provided on this page represents TI's knowledge and belief as of the date that it is provided. TI bases its knowledge and belief on information provided by third parties, and makes no representation or warranty as to the accuracy of such information. Efforts are underway to better integrate information from third parties. TI has taken and continues to take reasonable steps to provide representative and accurate information but may not have conducted destructive testing or chemical analysis on incoming materials and chemicals. TI and TI suppliers consider certain information to be proprietary, and thus CAS numbers and other limited information may not be available for release.

In no event shall TI's liability arising out of such information exceed the total purchase price of the TI part(s) at issue in this document sold by TI to Customer on an annual basis.

TRAY


Chamfer on Tray corner indicates Pin 1 orientation of packed units.

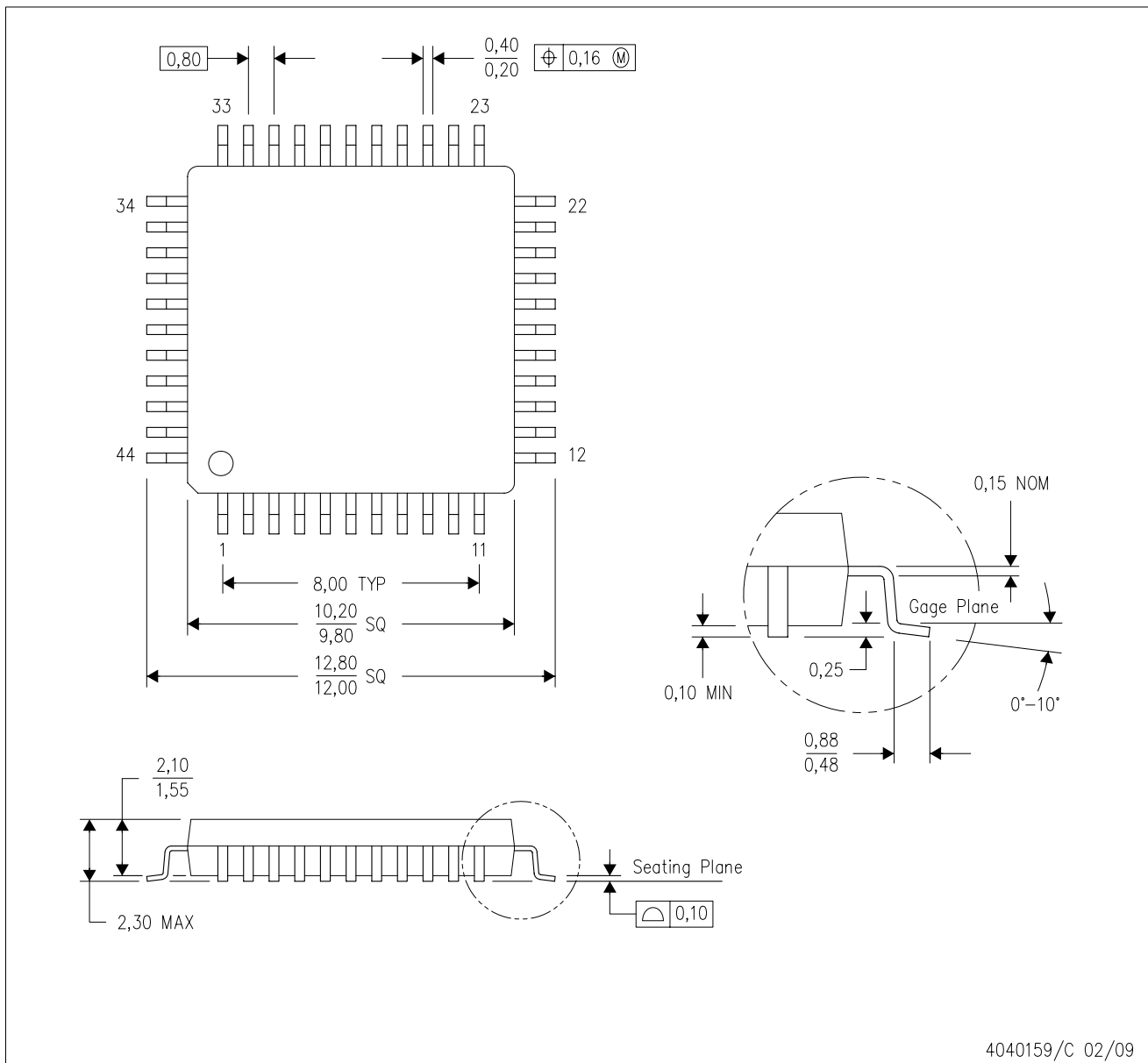
*All dimensions are nominal

Device	Package Name	Package Type	Pins	SPQ	Unit array matrix	Max temperature (°C)	L (mm)	W (mm)	K0 (µm)	P1 (mm)	CL (mm)	CW (mm)
TL28L92FR	FR	QFP	44	96	16 x 6	150	315	135.9	7620	18.7	17.25	18.3
TL28L92IFR	FR	QFP	44	96	16 x 6	150	315	135.9	7620	18.7	17.25	18.3

MECHANICAL DATA

FR (S-PQFP-G44)

PLASTIC QUAD FLATPACK



- NOTES:
- A. All linear dimensions are in millimeters. Dimensioning and tolerancing per ASME Y14.5M-1994.
 - B. This drawing is subject to change without notice.

IMPORTANT NOTICE AND DISCLAIMER

TI PROVIDES TECHNICAL AND RELIABILITY DATA (INCLUDING DATA SHEETS), DESIGN RESOURCES (INCLUDING REFERENCE DESIGNS), APPLICATION OR OTHER DESIGN ADVICE, WEB TOOLS, SAFETY INFORMATION, AND OTHER RESOURCES "AS IS" AND WITH ALL FAULTS, AND DISCLAIMS ALL WARRANTIES, EXPRESS AND IMPLIED, INCLUDING WITHOUT LIMITATION ANY IMPLIED WARRANTIES OF MERCHANTABILITY, FITNESS FOR A PARTICULAR PURPOSE OR NON-INFRINGEMENT OF THIRD PARTY INTELLECTUAL PROPERTY RIGHTS.

These resources are intended for skilled developers designing with TI products. You are solely responsible for (1) selecting the appropriate TI products for your application, (2) designing, validating and testing your application, and (3) ensuring your application meets applicable standards, and any other safety, security, regulatory or other requirements.

These resources are subject to change without notice. TI grants you permission to use these resources only for development of an application that uses the TI products described in the resource. Other reproduction and display of these resources is prohibited. No license is granted to any other TI intellectual property right or to any third party intellectual property right. TI disclaims responsibility for, and you will fully indemnify TI and its representatives against, any claims, damages, costs, losses, and liabilities arising out of your use of these resources.

TI's products are provided subject to [TI's Terms of Sale](#) or other applicable terms available either on ti.com or provided in conjunction with such TI products. TI's provision of these resources does not expand or otherwise alter TI's applicable warranties or warranty disclaimers for TI products.

TI objects to and rejects any additional or different terms you may have proposed.

Mailing Address: Texas Instruments, Post Office Box 655303, Dallas, Texas 75265
Copyright © 2022, Texas Instruments Incorporated