

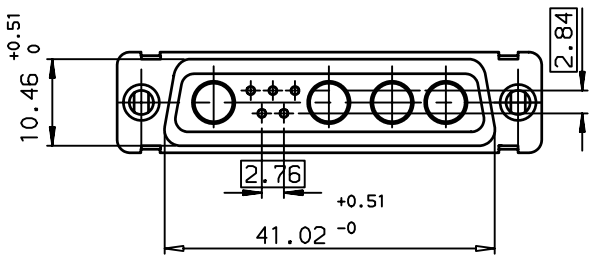
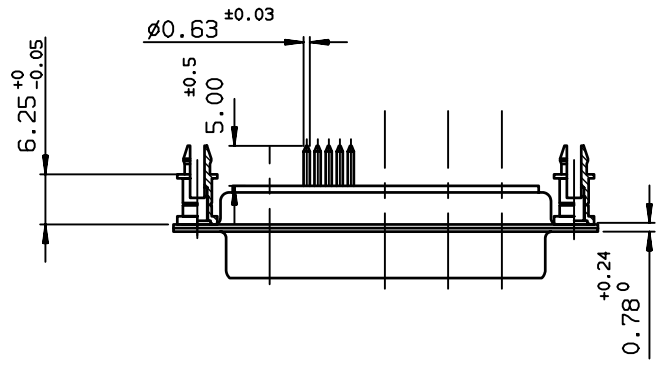
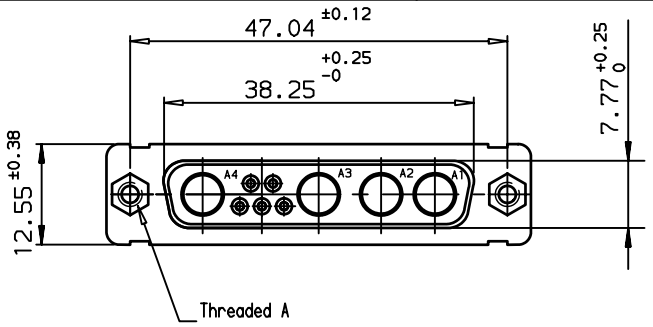
Copyright FCI.

A

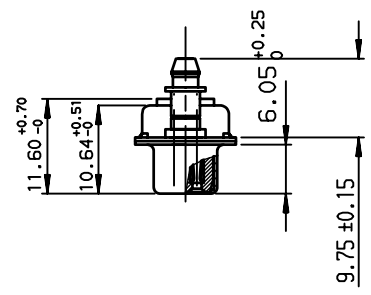
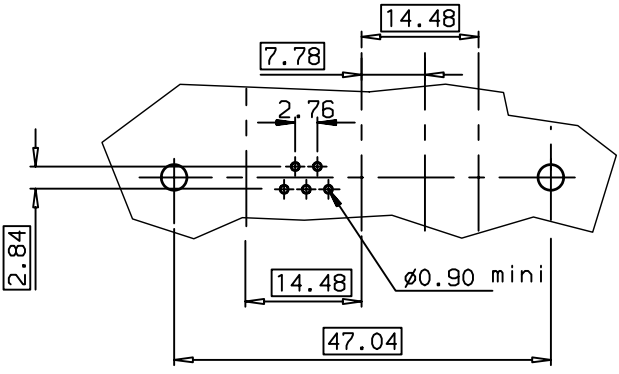
B

C

D



LAYOUT DIMENSIONS (after plating)  
CONNECTOR SIDE VIEW



TIN LEAD PART NUMBER

|               |            |
|---------------|------------|
| DBL9W4S300G00 | M3         |
| DB09W4S300G00 | UNC 4.40   |
| PART NUMBER   | Threaded A |

LEAD FREE PART NUMBER

|                 |            |
|-----------------|------------|
| DBL9W4S300G00LF | M3         |
| DB09W4S300G00LF | UNC 4.40   |
| PART NUMBER     | Threaded A |

GENERAL CHARACTERISTICS AND ROHS INFORMATIONS:  
SEE DRAWING C01-8639-0003

European Views

|                    |         |                                       |                                   |                  |            |              |
|--------------------|---------|---------------------------------------|-----------------------------------|------------------|------------|--------------|
| www.fciconnect.com |         | surface<br>ISO 1302                   | tolerance std<br>ISO 406 ISO 1101 | projection<br>mm | size<br>A3 | Scale<br>1.5 |
|                    |         | TOLERANCES UNLESS OTHERWISE SPECIFIED |                                   | ANGULAR          | size<br>A3 | Scale<br>1.5 |
| Dr                 | JOUBERT | 2002/05/17                            | 0.X                               | ±0.1             | ECN        | LS06-0095    |
| Eng                | PESSON  | 2002/05/17                            | 0.XX                              | ±0.1             | Spec ref   | -            |
| Chr                | LEGARE  | 2002/05/17                            | 0.XX' ±2'                         | ±0.1             |            |              |
| Appr               | LEGARE  | 2002/05/17                            | Product family                    |                  | D-SUB      |              |

| rev | ecn no    | dr  | date       |
|-----|-----------|-----|------------|
| C   | -         | DEB | 2003/09/16 |
| D   | LS05-001  | MPE | 2005/03/10 |
| E   | LS06-0095 | LGO | 2006/07/18 |
| -   | -         | -   | -          |
| -   | -         | -   | -          |
| -   | -         | -   | -          |



SOCKET CONNECTOR WITHOUT  
POWER CONTACTS

title  
C01-8639-1971  
dwg no  
Rev.  
E