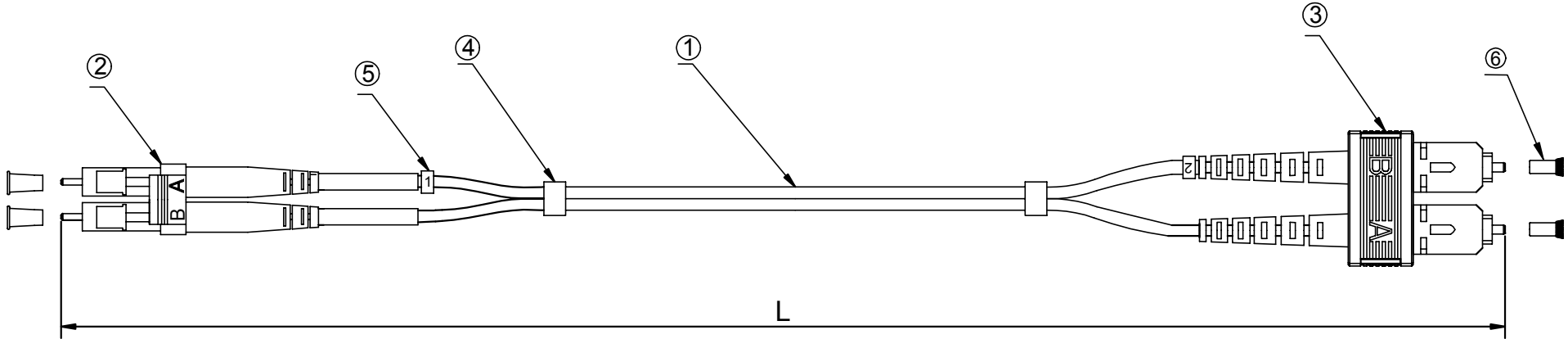


RoHS
Compliant

VERSION	DESCRIPTION	DATE
1.0	New Release	2018/3/30



PART NO	DRAWING NO	CABLE LENGTH "L"	COLOR
912S-2-5-00100-PL	671-456-A	1000±100	Yellow
912S-2-5-00200-PL	671-456-B	2000±100	Yellow
912S-2-5-00300-PL	671-456-C	3000±100	Yellow
912S-2-5-00500-PL	671-456-D	5000±100	Yellow
912S-2-5-00700-PL	671-456-E	7000±100	Yellow
912S-2-5-01000-PL	671-456-F	10000±100	Yellow
912S-2-5-01500-PL	671-456-G	15000±100	Yellow
912S-2-5-02000-PL	671-456-H	20000±100	Yellow
912S-2-5-02500-PL	671-456-I	25000±100	Yellow

NOTES:
 Insertion loss < 0.3 dB
 Return loss > 50 dB

6	Dust Cover
5	1/2 Code
4	Shrinkage Tube
3	SC SM Duplex Connector (Blue housing Blue boot)
2	LC SM Duplex Connector (Blue housing White boot)
1	2.0mm,Duplex,SM-9/125 G652D, OFNP, Optical Fiber Cable(Yellow)
No.	Description

CnC Tech, LLC
 Industrial Cable and Connector Technology

		TITLE	Patch Cord, LC-SC,SM-9/125 G652D, Duplex, OFNP, yellow, 2.0mm, xxm	
UNIT	mm	P/N	above	DRAWN BY
<small>unless otherwise stated</small> <small>Tolerances</small> mm angular XXX.XX ±0.3 ±2° XX.XX ±0.2 X.XX ±0.1		Customer P/N	912S-2-5-0xxxx-PL	CHECK BY
		SIZE	SCALE	PAGE
A4	Free			