

# G-CCS-M25-M66N-PNES-BK - Cable gland



1076600

<https://www.phoenixcontact.com/us/products/1076600>

Please be informed that the data shown in this PDF document is generated from our online catalog. Please find the complete data in the user documentation. Our general terms of use for downloads are valid.



Plastic cable connection with slotted seal, for connector with pre-wired cable, IP66, M25 connection thread, clear width: 18.2 mm

## Your advantages

- Plastic material conforms to UL 746C f1

## Commercial data

Item number	1076600
Packing unit	1 pc
Minimum order quantity	10 pc
Sales key	BF68
Product key	BF7DCX
Catalog page	Page 706 (C-2-2019)
GTIN	4055626785004
Weight per piece (including packing)	26.82 g
Weight per piece (excluding packing)	26.82 g
Customs tariff number	39269097
Country of origin	TR

# G-CCS-M25-M66N-PNES-BK - Cable gland



1076600

<https://www.phoenixcontact.com/us/products/1076600>

## Technical data

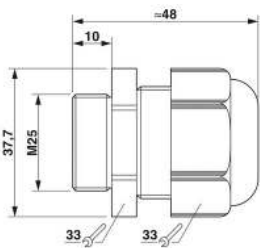
### Mounting

Assembly instructions	1) Mount screw connection support in the housing using the correct torque 2) Insert cable 3) Tighten union nut using the correct torque
	Clear width 18.2 mm

### Product properties

Product type	Full screw connection
No. of conductors	1
Manufacturer	BIMED
Manufacturer Designation	BMRJ-26
Shielded	no

### Dimensions

Dimensional drawing	
Length	47 mm
Length of the connecting thread	10 mm
Hole diameter	25.1 mm ... 25.2 mm
Wrench size, union nut	33 mm
Wrench size, support	33 mm
Hexagon angular dimension	37.4 mm
Thread type connection side	M25 x 1.5
Thread pitch	1.5 mm

### Material specifications

Flammability rating according to UL 94	V2
Seal material Cable seal	CR
Material for screw connection	PA

### Cable/line

External cable diameter (Cable 1)	3 mm ... 7 mm
-----------------------------------	---------------

### Environmental and real-life conditions

#### Ambient conditions

Degree of protection	IP66
----------------------	------

# G-CCS-M25-M66N-PNES-BK - Cable gland



1076600

<https://www.phoenixcontact.com/us/products/1076600>

Ambient temperature (operation)

-20 °C ... 100 °C (static)

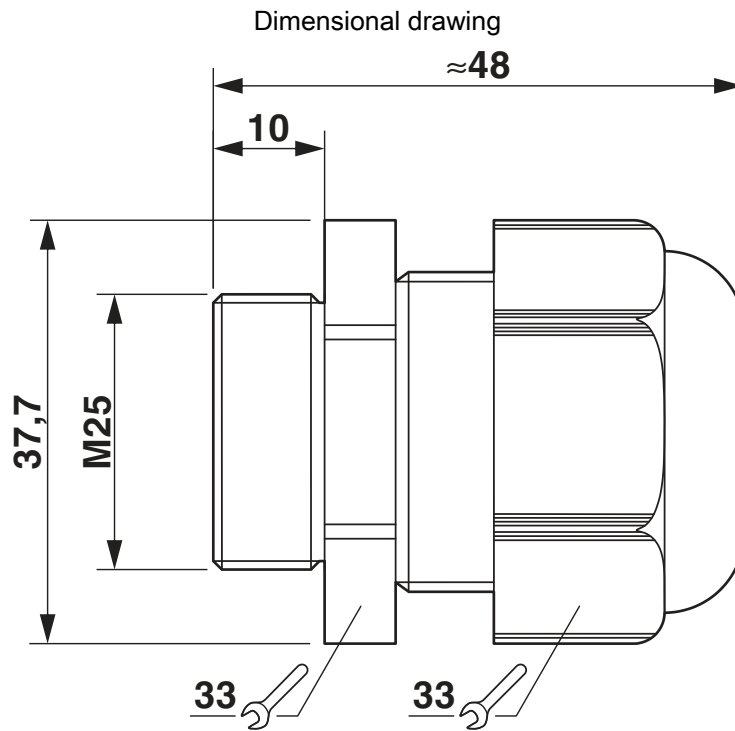
# G-CCS-M25-M66N-PNES-BK - Cable gland



1076600

<https://www.phoenixcontact.com/us/products/1076600>

## Drawings



Dimensional drawing

# G-CCS-M25-M66N-PNES-BK - Cable gland



1076600

<https://www.phoenixcontact.com/us/products/1076600>

## Classifications

### ECLASS

ECLASS-11.0	27144432
ECLASS-12.0	27140801
ECLASS-13.0	27140801

### ETIM

ETIM 8.0	EC000441
----------	----------

### UNSPSC

UNSPSC 21.0	39121300
-------------	----------

# G-CCS-M25-M66N-PNES-BK - Cable gland



1076600

<https://www.phoenixcontact.com/us/products/1076600>

## Environmental product compliance

China RoHS	Environmentally friendly use period: unlimited = EFUP-e
	No hazardous substances above threshold values

Phoenix Contact 2023 © - all rights reserved  
<https://www.phoenixcontact.com>

Phoenix Contact USA  
586 Fulling Mill Road  
Middletown, PA 17057, United States  
(+717) 944-1300  
[info@phoenixcon.com](mailto:info@phoenixcon.com)