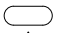

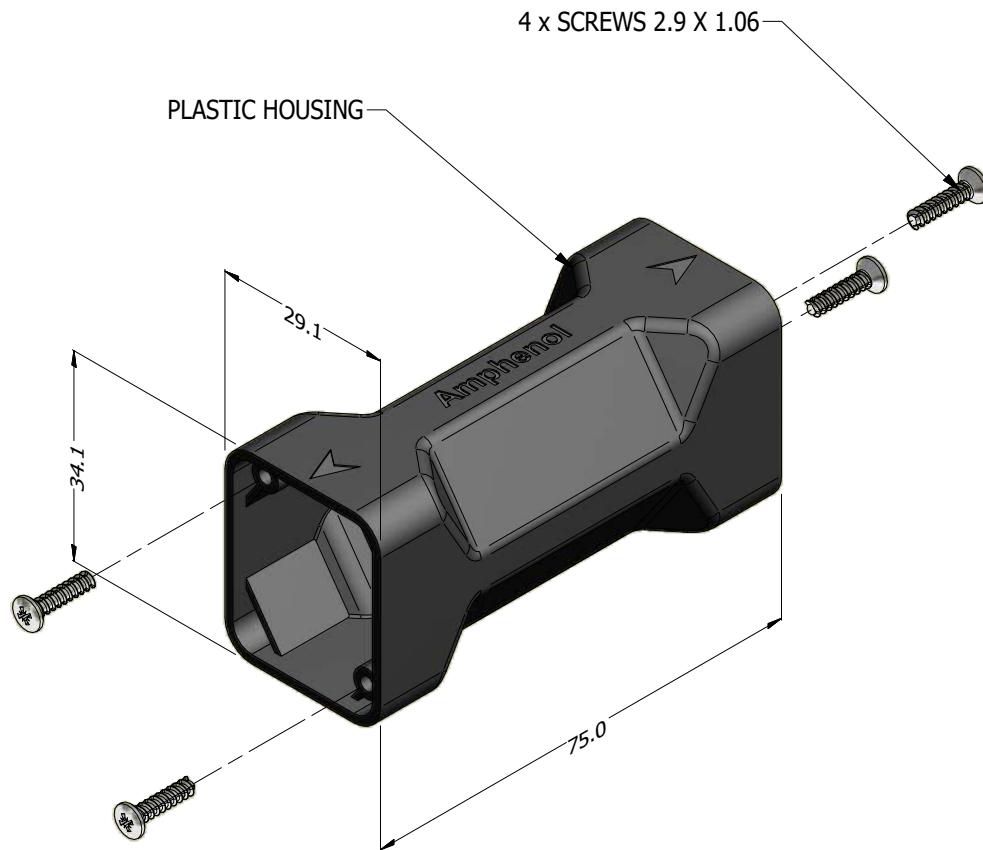


1 2 3 4 5 6 7 8

LEGEND
 = CRITICAL INSPECTION DIMENSIONS.
 = KEY PRODUCT CHARACTERISTICS



UNLESS OTHERWISE SPECIFIED TOLERANCE TO BE		THIS DOCUMENT IS THE PROPERTY OF AMPHENOL AUSTRALIA PTY. LTD. NO PART THEREOF MAY BE REPRODUCED AND USED WITHOUT THE PRIOR WRITTEN CONSENT OF THE OWNER				Amphenol Amphenol Australia Pty.Ltd, 22 Industry Blvd Carrum Downs, VIC 3201	
LINEAR	ANGULAR	MATERIAL: PLASTIC	DRN:	T.N	DATE:	21/08/14	TITLE:
X ± 0.5	X' ± 1		CKD:	P.M	DATE:	21/08/14	PART No:
X.X ± 0.1	X.X' ± 30'		APP'D:	P.M	DATE:	21/08/14	AC-D-ADAPTER
X.XX ± 0.05	X.XX" ± 15'	FINISH:	SCALE:	1:1	SIZE:	A4	REV 1
BREAK ALL SHARP EDGES AND REMOVE ALL BURRS		DO NOT SCALE		THIRD ANGLE PROJECTION		DRAWING No.	
DIMENSIONS IN MILLIMETRES		SCALE: 1:1		SIZE: A4		55011029-000-1	
						SHEET 2 / 2	

1 2 3 4 5 6 7 8 CB4.17.F1