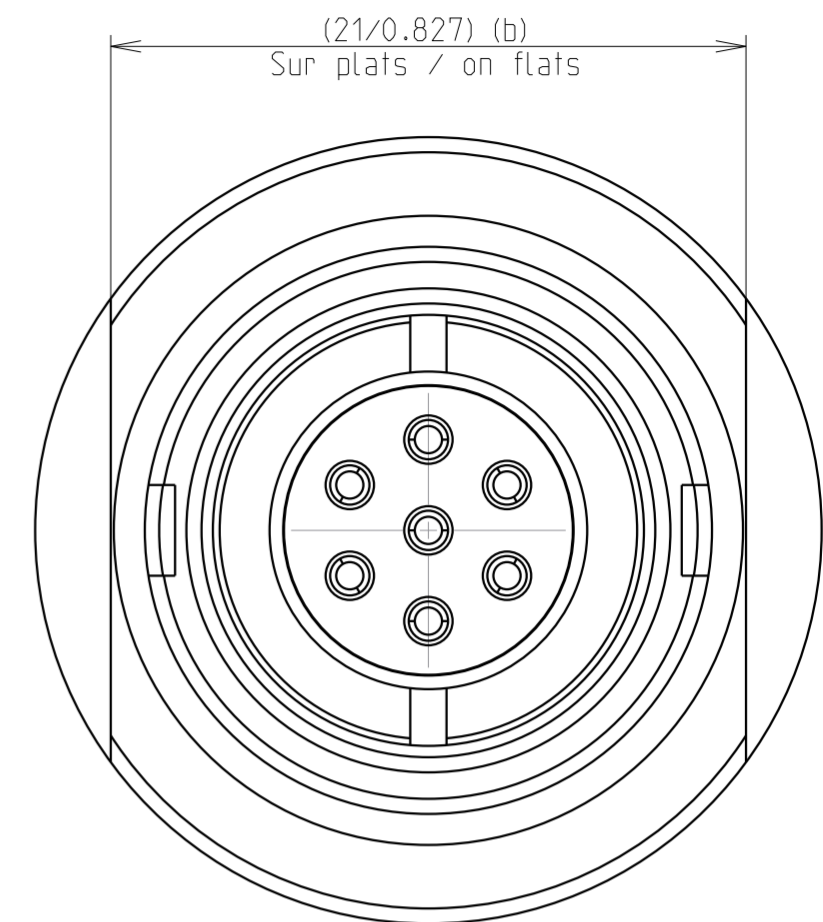
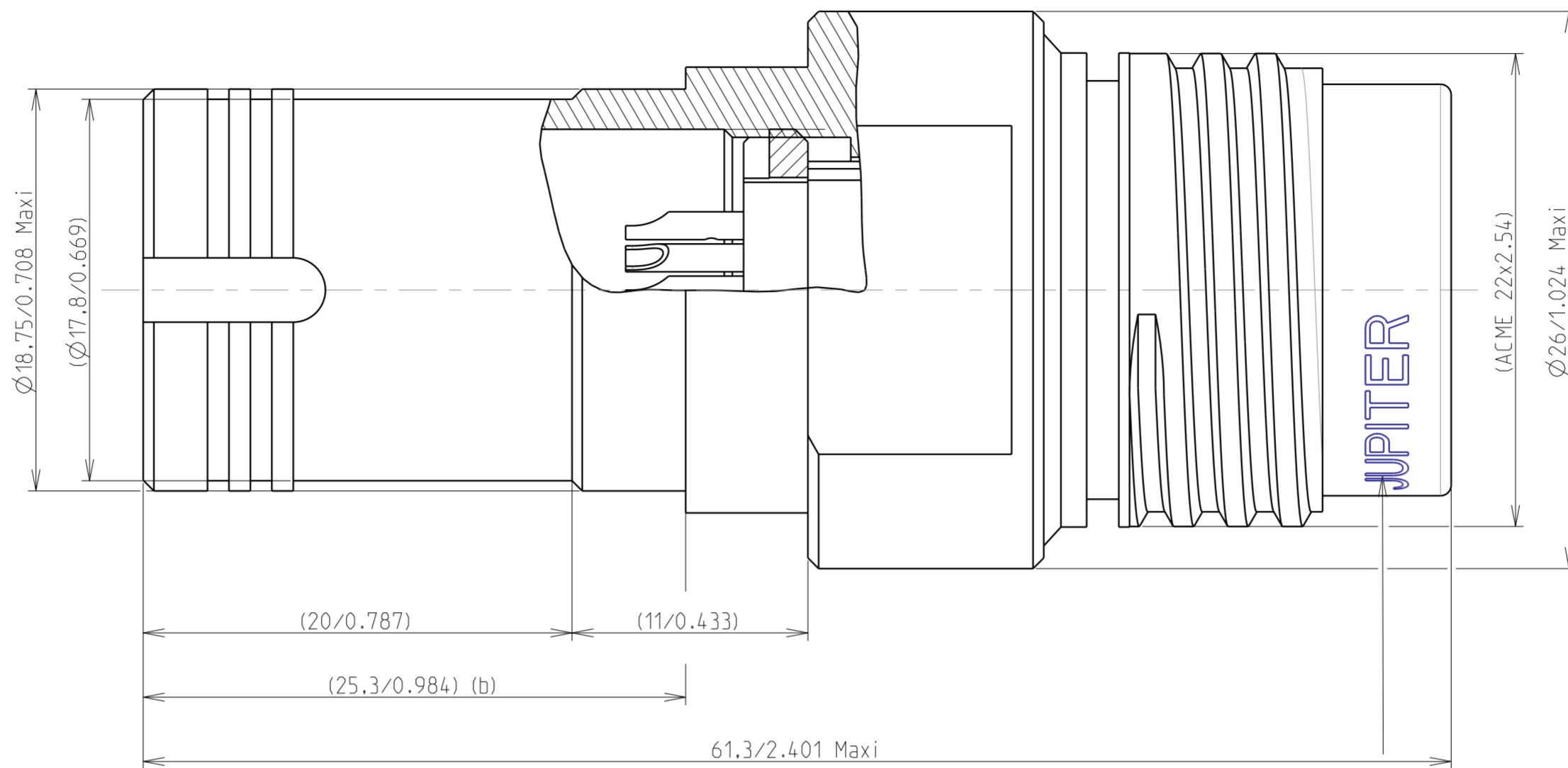
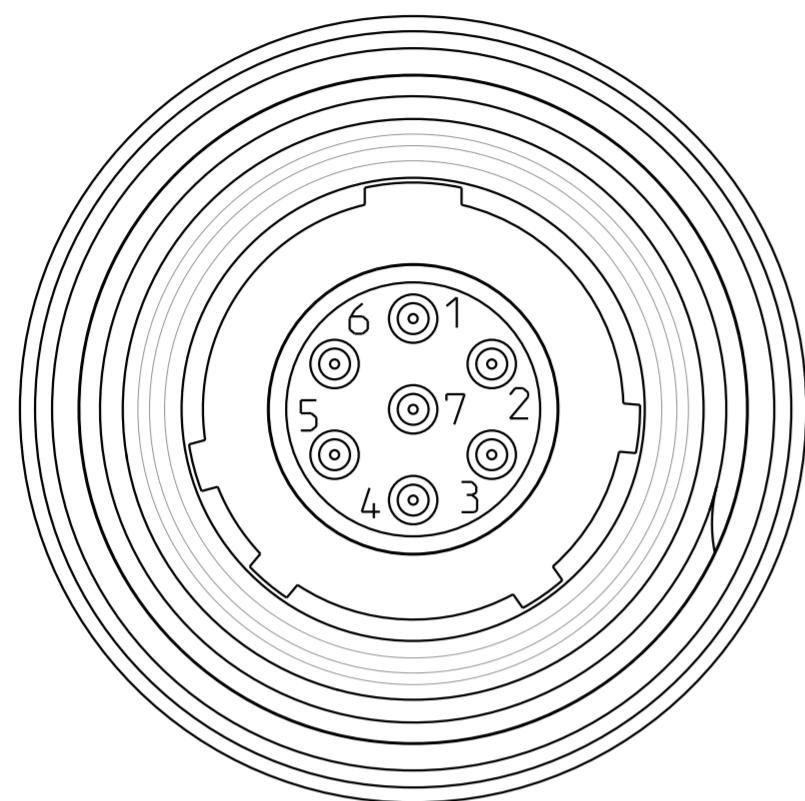


B.2: D développement

Country	Jurisdiction & Control List
FR	NOT LISTED

	critical dimension
	major dimension



MARQUAGE/MARKING

**** JUPITER FR PCE10PLY
 SEMAINE/WEEK
 ANNEE/YEAR

Nota :
 Isolant emballé non monté

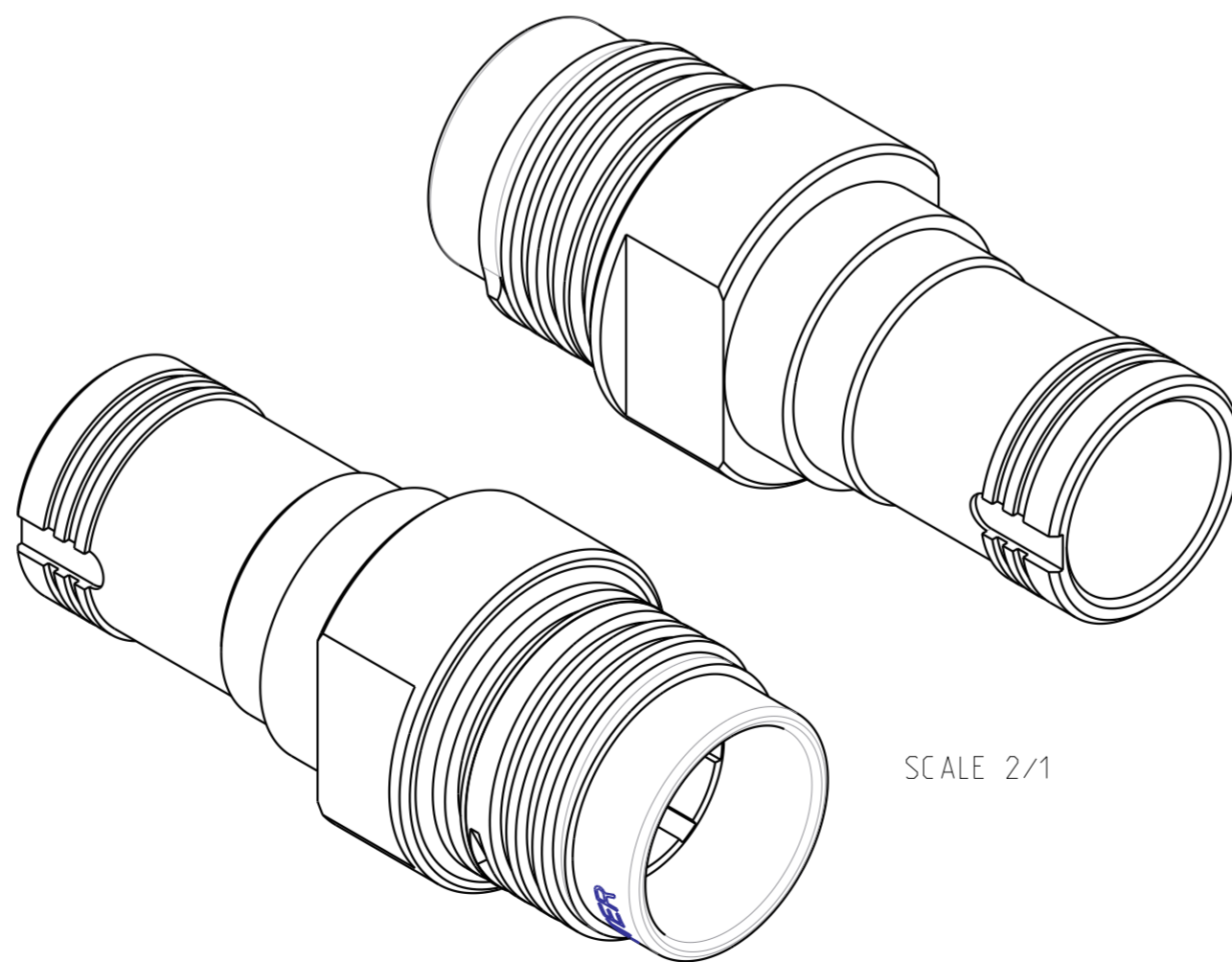
**REFERENCE COMMERCIALE
 PART NUMBER**

PCEM10PLN0720SAY

TYPE DE CONTACT/CONTACT TYPE
 M:MALE/PIN F:FEMELLE/SOCKET

MATIERE DE L'ISOLANT/INSERT MATERIAL
 N:PA6/6+MOS2(NYLATRON) T:PTFE(TEFLON)

ARRANGEMENT DES CONTACTS/CONTACT LAYOUTS
 VOIR ST1-PL54-0001/SEE ST1-PL54-0001



SCALE 2/1

B	23/04/18	Modification of flats + add of retaining		S.Yakoubi	MEFFRE	DIFF
A	28/02/18	Initial drawing		S.Yakoubi	MEFFRE	DIFF
Iss	Date	MODIFICATIONS	A C	Designed by	Checked by	MOD N°
			Naf.			
MATERIAL --			TREATMENT	PROTECTION/PLATING		
--			--	--		
--			--	CODE --		
DIMENSIONS ARE DEFINED BEFORE PLATING						
TITLE		PROLONGATEUR PCE SAY/ IN-LINE RECEPTACLE SAY TYPE				PROJECT
		SERIE PL - TAILLE 10				PL54
Material Reference Voir Référence Commerciale / See Part Number						
		Generales tolerances ISO 2768		SOURIAU 3. RUE DU VALLON ZAC N°2 94440 MAROLLES-EN-BRIE (FRANCE) TEL. 33 (0)1 45 10 78 00		
Scale 4/1		General machining Surface texture				
Geometrical Tolerances: NF EN ISO 1101						
This document is the property of SOURIAU it must not be reproduced or communicated without permission.				FORMAT	SOURIAU DRG N°	Iss
				A2	542P0030A9C	B
						SHEET 1/1