

MATERIALS & SPECIFICATIONS

PART NO.	A22007-001	REV	ECO	DATE	APP
		F	101393	03-17-15	TLM

INSULATOR: LIQUID CRYSTAL POLYMER (LCP) PER ASTM D5138.

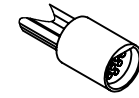
CONTACT: COPPER ALLOY PER MIL-DTL-83513. GOLD PLATED PER ASTM B488, (HARD GOLD) TYPE II CODE C CLASS 1.27.

TERMINATION: 26 AWG (7-34) TYPE E. PER NEMA HP3, COLOR CODED PER TABLE

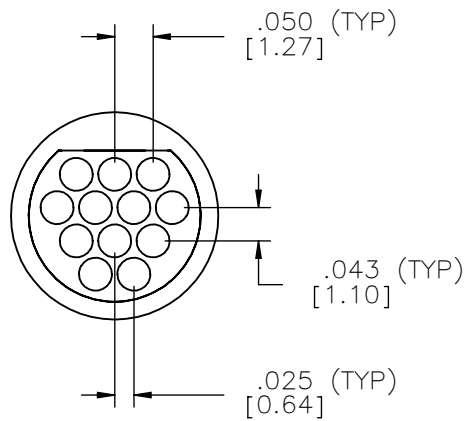
CURRENT CAPACITY 3 AMP MAX.

CONTACT RESISTANCE 26 MILLIOHMS (65mV) MAX @ 2.5 AMPS.

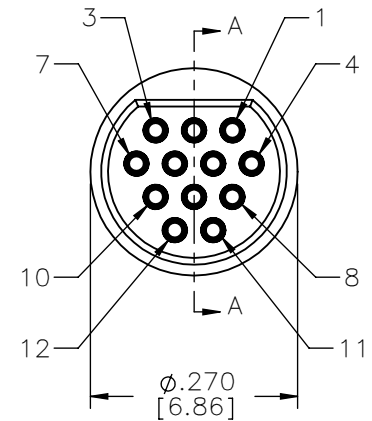
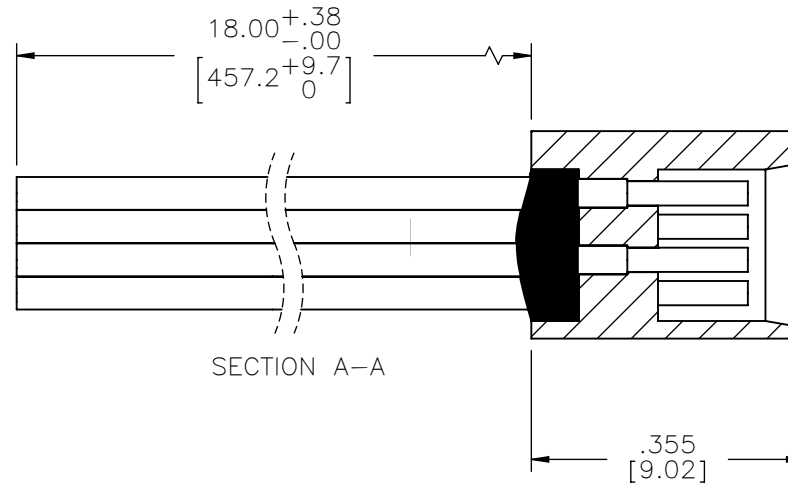
PERFORMANCE: PRODUCT FAMILY TESTED TO AND PASSED THE PERFORMANCE SPECIFICATIONS OF TABLE VII OF MIL-DTL-83513.



ACTUAL SIZE
EXCLUDING WIRE LENGTH



LOADING VIEW
LESS EPOXY



INTERNAL USE ONLY

USE MFG LOADING
PROCEDURE MC-12S

NOTE:

DIMENSIONS IN [] ARE IN
MILLIMETERS UNLESS
OTHERWISE NOTED AND ARE
FOR REFERENCE ONLY

SOCKET #	COLOR
1	BLACK
2	BROWN
3	RED
4	ORANGE
5	YELLOW
6	GREEN
7	BLUE
8	VIOLET
9	GRAY
10	WHITE
11	WHT/BLACK
12	WHT/BROWN

MCTS SCM	THIRD ANGLE
	-TOLERANCES-
	UNLESS OTHERWISE NOTED
	DIMENSIONS IN INCHES
2	PL DEC ± .01
3	PL DEC ± .005
4	PL DEC ± .0005
	ANGLES ± 1°

THIS DRAWING CONTAINS CONFIDENTIAL AND PROPRIETARY INFORMATION WHICH IS THE PROPERTY OF OMNETICS CONNECTOR CORP. THIS DOCUMENT MAY NOT, IN WHOLE OR IN PART, BE DUPLICATED, OR DISCLOSED FOR ANY PURPOSE, WITHOUT WRITTEN PERMISSION FROM OMNETICS CONNECTOR CORP.	
DFTM. PMX	DATE 2/28/2001
CHK'D.	DATE
APP'D.	DATE

TITLE:
(12) SOCKET FEMALE
CIRCULAR
CONNECTOR

OMNETICS
CONNECTOR CORPORATION
7260 COMMERCE CIRCLE EAST
MINNEAPOLIS, MN 55432
WWW.OMNETICS.COM

RoHS

CAGE CODE 61873	
DWG NO. A22007-001	
SHEET 1 OF 1	REV F
SCALE: 4:1	