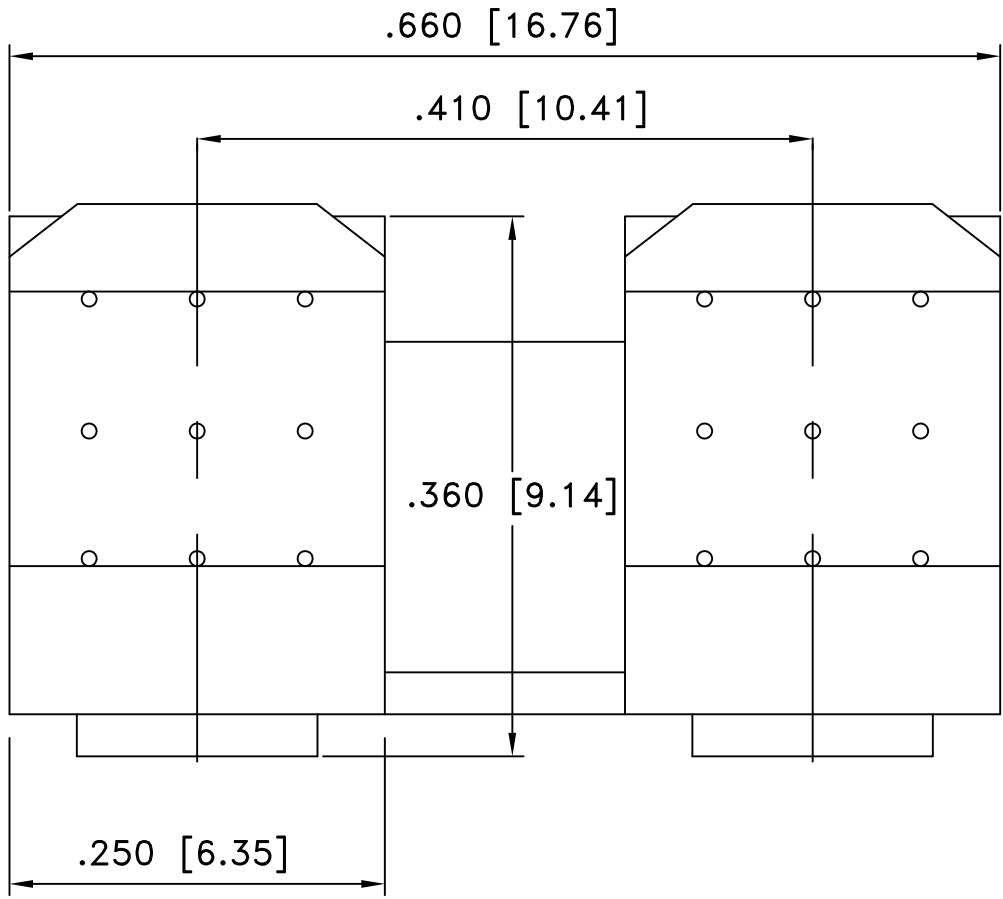
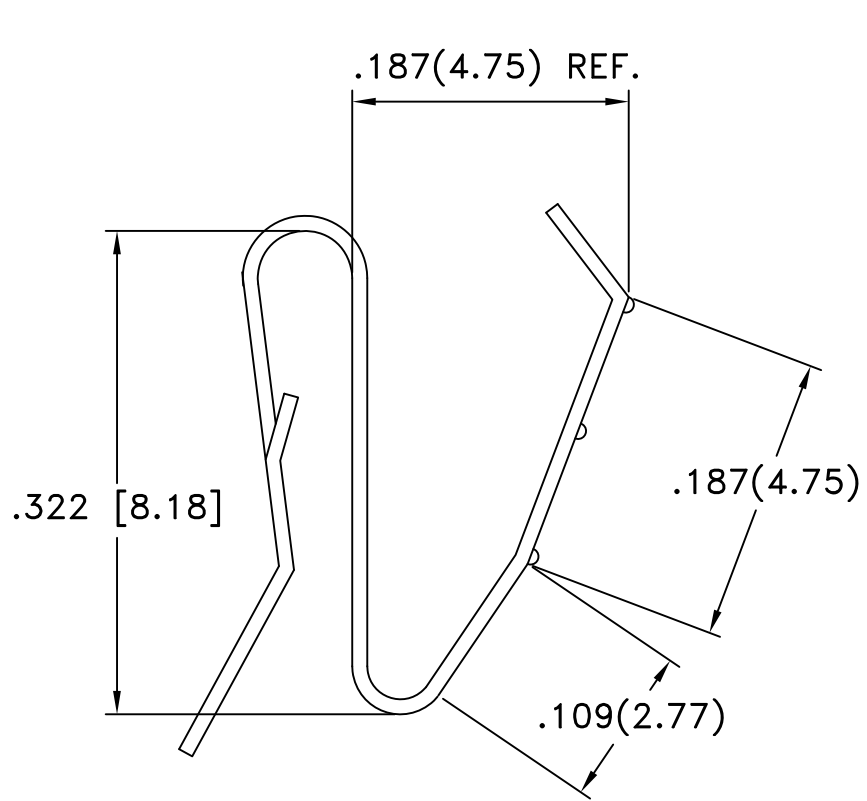



Date	SYM	REVISION RECORD	AUTH	DR.	CK.
03/23/12	A	ADDED ROHS COMPLIANT	T.B.	B.S.	
11/21/14	B	UPDATED TO ROHS 2 COMPLIANT	T.B.	B.S.	



MATERIAL:  
 0.010" SPRING TEMPER STAINLESS STEEL, NICKEL  
 PLATED  
 ROHS 2 COMPLIANT

Tolerance (Except as noted)	 <b>Memory protection Devices, Inc</b> 200 Broad Hollow Road, Farmingdale, New York 11735	Scale XX	Drawn By T.S.
			Approved By T.B.
decimal ±.5 (.020)	Title BATTERY CONTACT, AAA OR N		
Fractional ± .8 (.030)	Date 11/21/14	Drawing Number BK-202	
Angular ± 3°			