

USB Type-C Charging Cable 100W with Power Indicator



Features

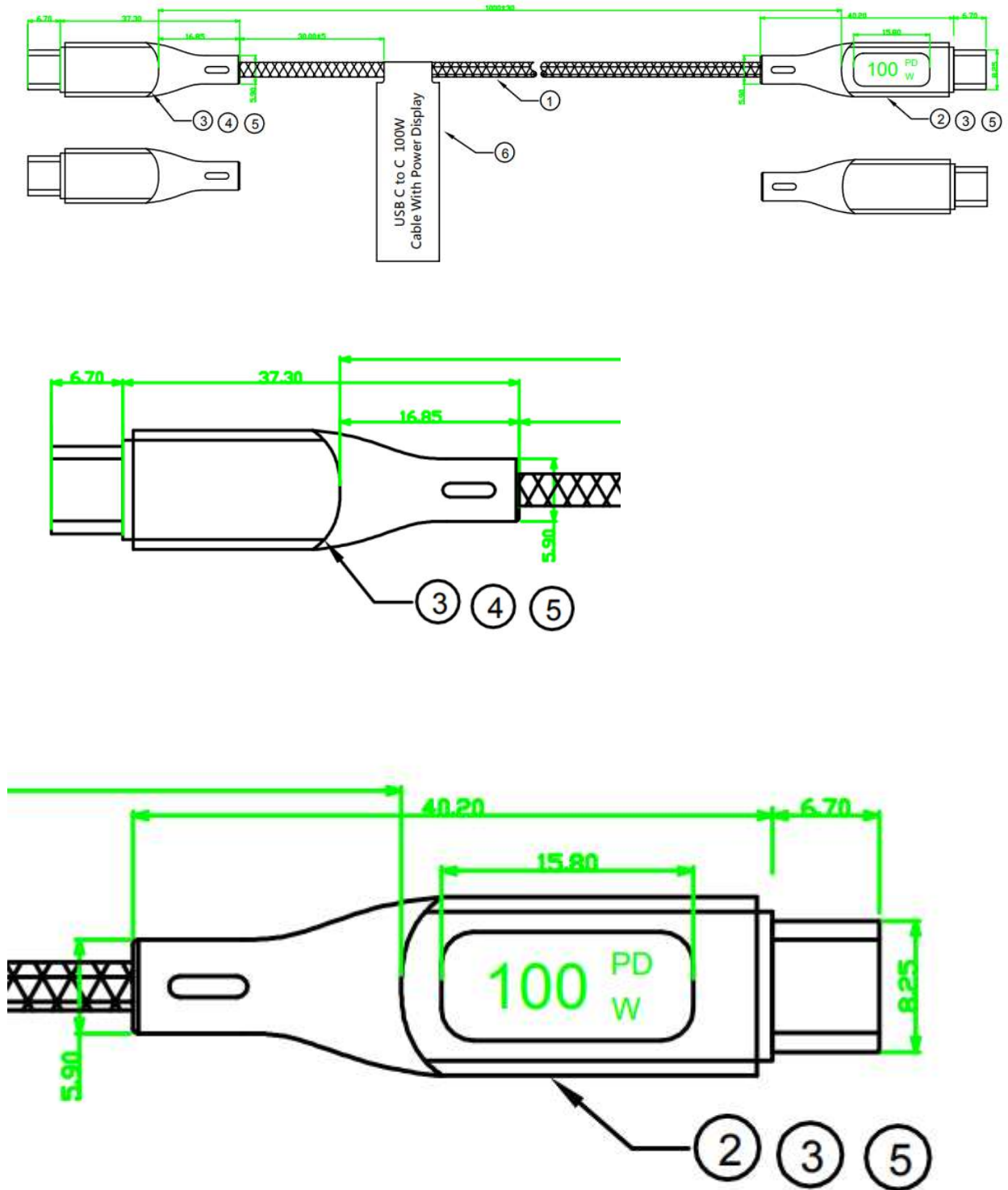
- Type-C Fast Charging Cable
- Compatible with USB 2.0
- Length up to 1m
- Fast Charging 5A/20V/100W

- Customization possible

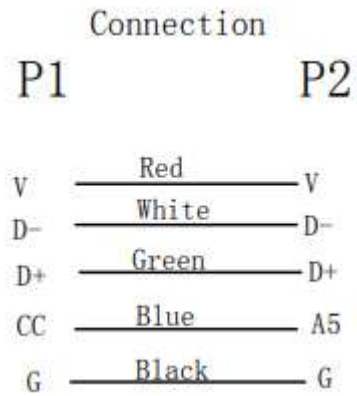
Applications

- Industrial PC
- Cameras + Vision Systems
- Docking stations
- Desktop, Tablets, and Mobile Phones
- Gaming consoles, Smart TVs

Physical Drawing



Connection



Specification

Supported USB	USB2.0	
Supported Displayport	not supported	
Maximum Data Rate	480Mbps	
E-Mark	No	
Supported Cable Length	Custom; max. 1,0m	
O.D.	4.0mm	
Cable Type	USB-C Cable	
Cable Jacket	PVC	
Cable Color	Black	
Plugs	A: USB-C Male, Nickel Plated	B: USB-C Male , Nickel Plated
Housings	A: Metal Case	B: Metal Case
Conductor Resistance	3Ω	
Output Current and Voltage	5A/20V/100W	
Compliance	RoHS/ Reach/ CE/ FCC	
Certifications	UL Production	
Flameability	UL94-VW1, Material with UL-File No.	
Standard Package	Bulk	
Production Standard	ISO9001+ISO14001+IATF16949	

How to order

TCC082-xxxxx <-> xxxxx = total Length in mm

Partnumber	Description
TCC082-xxxxx	xxxxx = Total Length in mm
TCC082-00500	Total Length = .500 mm
TCC082-01000	Total Length = 1.000 mm

Please contact us for customization

Available Options

- Custom length
- Custom connector
- Custom label on Cable
- Custom label on Packing
- Colour
- Length >1m

DisplayPort™ and the DisplayPort™ logo are trademarks owned by the Video Electronics Standards Association (VESA®) in the United States and other countries.

USB Type-C® and USB-C® are registered trademarks of USB Implementers Forum.