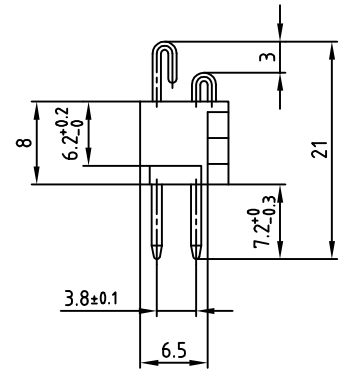
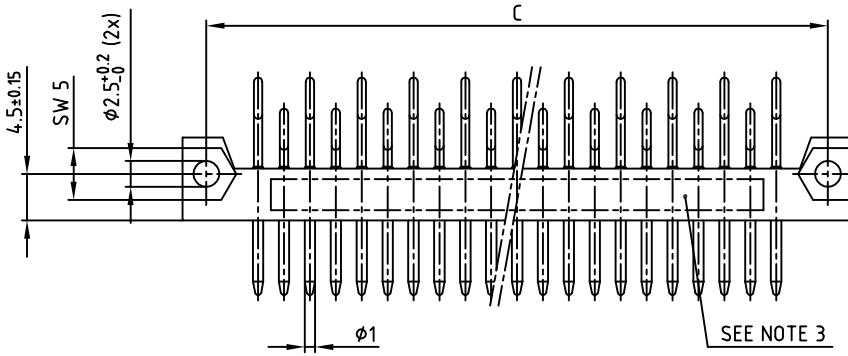
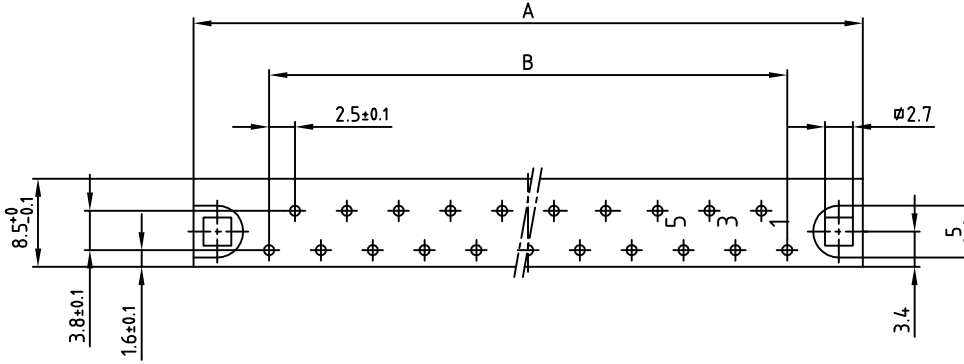
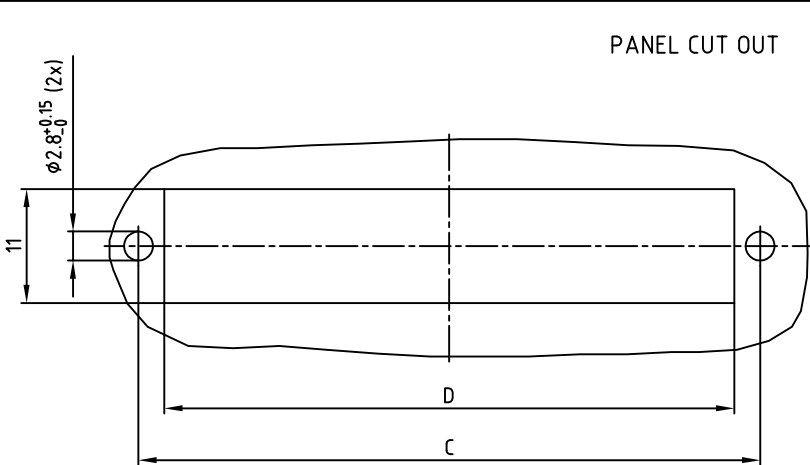


used for: DIN 41617

Part-No.	No. of pos.	A ±0.2	B ±0.1	C ±0.1	D
101A10139X	13	44.6	12x2.5=30	40	35
101A10149X	21	64.6	20x2.5=50	60	55
101A10159X	31	89.6	30x2.5=75	85	80



SEE NOTE 3



NOTES:

- INSULATOR: PC GF UL 94 V-1, GREY
- CONTACTS: COPPER ALLOY
PLATING - MATING AREA: GOLD OVER NICKEL;
50 MATING CYCLES
PLATING - SOLDER TAIL: TIN OVER NICKEL
- CONNECTOR IS PART MARKED: PART-NO. CONEC ABC

APPROVAL # FREIGABE # DEBLOCAGE # AUTORIZACION # APPROVAL	
CUSTOMER APPROVAL DATE:	
NAME:	TITLE:
COMPANY NAME:	
APPROVAL # FREIGABE # DEBLOCAGE # AUTORIZACION # APPROVAL	

THIS DRAWING MAY NOT BE COPIED OR REPRODUCED IN ANY WAY, AND MAY NOT BE PASSED ON TO A THIRD PARTY WITHOUT WRITTEN PERMISSION. OWNERSHIP AND COPYRIGHT OF CONEC GmbH DO NOT ALTER CAD DRAWING BY HAND

rev.	description	date	name
a	Origin		

tolerance		dim. in mm
2006	date	
drawn	01.02.	name
appd.	02.02.	Mickenbecker
norm	DIN 41617	
d-old		

scale:	2:1	
material:	SEE NOTES	
title:	MALE CONNECTOR 13-31pos. SPECIAL INSULATOR with straight soldering hooks	
dwg no:	AutoCAD 2004	DIN-A
part no:	10K1A012	3
	SEE TABLE	sh:1/1

