

CKT NO.

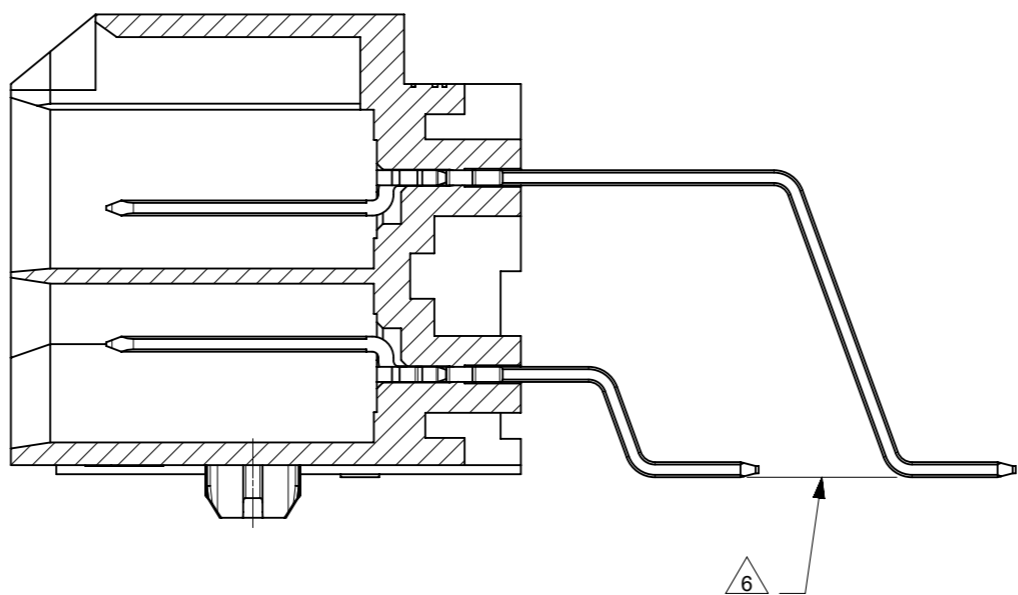
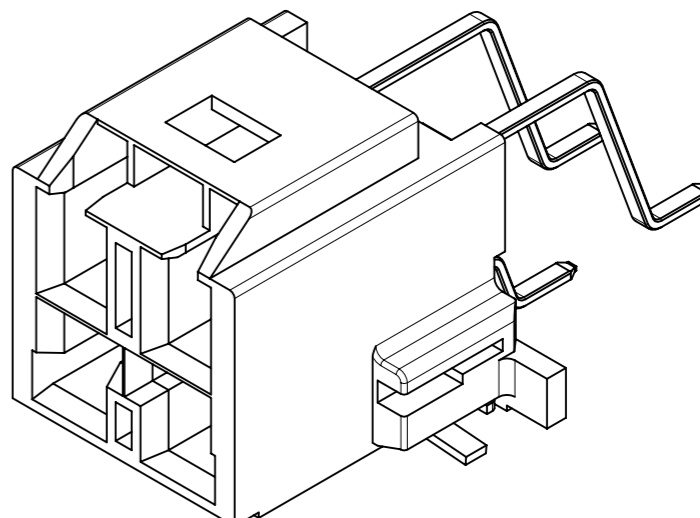
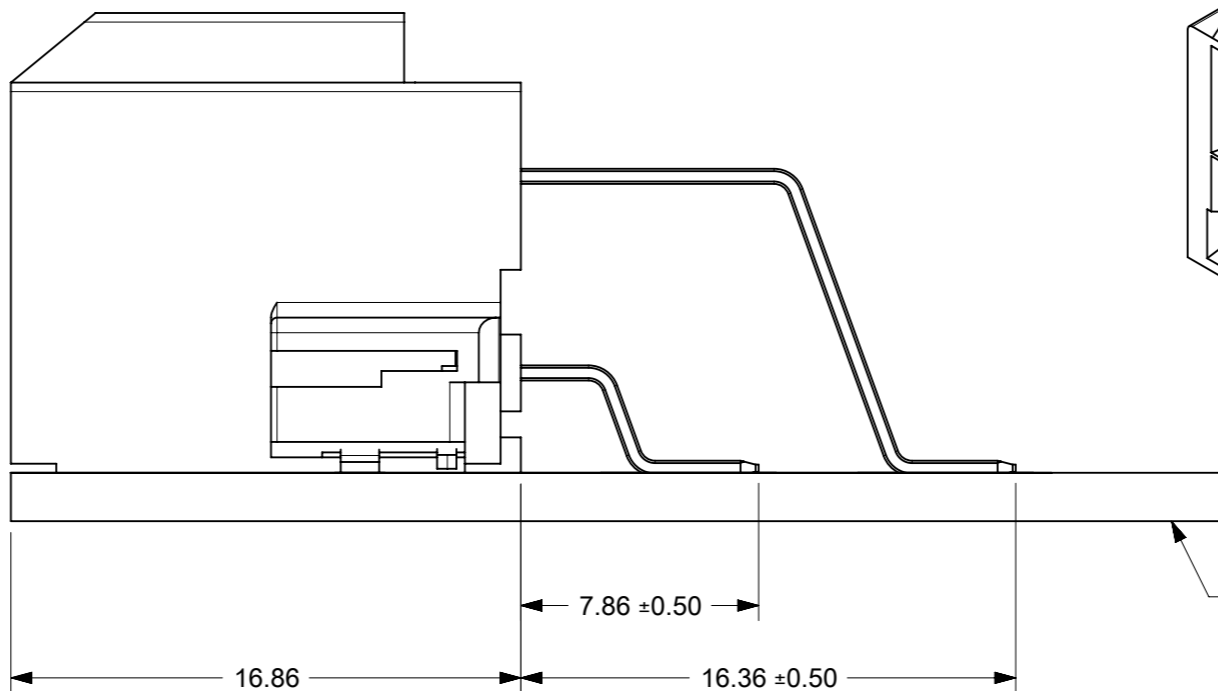
1.27 TYP

CKT NO.

(6.50)

15.30

E ±0.50



SECTION B-B

CKT SIZE	MATERIAL NO.	COLOR	PACKAGING SPEC
2 CKT	2035552012	RED	TRAY 2035550003-PK
	2035552112	BLUE	
	2035552212	BLACK	
	*2035552312	NATURAL(WHITE)	TAPE & REEL 2035550004-PK
	2035552022	RED	
	2035552122	BLUE	
4 CKT	2035552014	BLUE	TRAY 2035550003-PK
	2035552114	BLACK	
	2035552214	NATURAL(WHITE)	TAPE & REEL 2035550004-PK
	2035552024	BLUE	
	2035552124	BLACK	
	2035552224	NATURAL(WHITE)	
6 CKT	2035552016	BLUE	TRAY 2035550003-PK
	2035552116	BLACK	
	2035552216	NATURAL(WHITE)	
	2035552026	BLUE	TAPE & REEL 2035550004-PK
	2035552126	BLACK	
	2035552226	NATURAL(WHITE)	

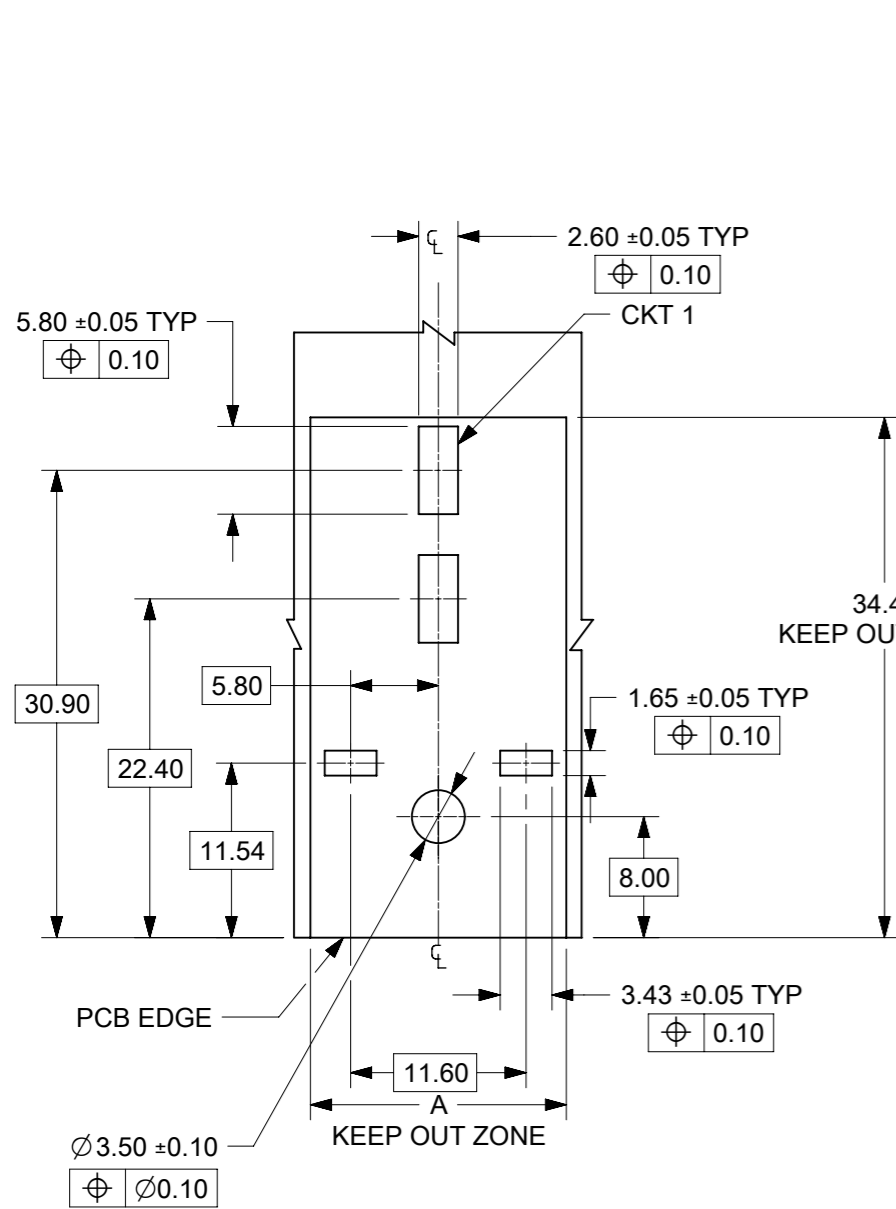
NOTES:

- MATERIALS:
HOUSING : NYLON; UL94 V-0.
TERMINAL : COPPER ALLOY
- FINISHES:
PLATING: TIN OVER NICKEL
- PRODUCT SPECIFICATION: 2035550001-PS
- PACKAGING SPECIFICATION: SEE TABLE
- MATES WITH: 151207 SERIES
- MOLEX RECOMMENDS TO USE 0.28mm STENCIL IN THE CONNECTOR SOLDERING PAD AREA.
- TO AVOID BILSTERING IN THE PARTS MOLEX RECOMMENDS TO STORE THE PARTS WITH MOISTURE BARRIER BAG PACKAGING WITH SEALED CONDITION.
- AFTER REFLOW SOLDER THERE WILL BE COLOR CHANGE IN THE CONNECTOR COMPARED TO NON-REFLOW SOLDERED PARTS.
- THE PART CONFORMS TO CLASS B REQUIREMENTS OF COSMETIC SPEC PS-45499-002.
- RIGHT ANGLE HEADERS ONLY BE MOUNTED AT THE EDGES OF THE PCB.

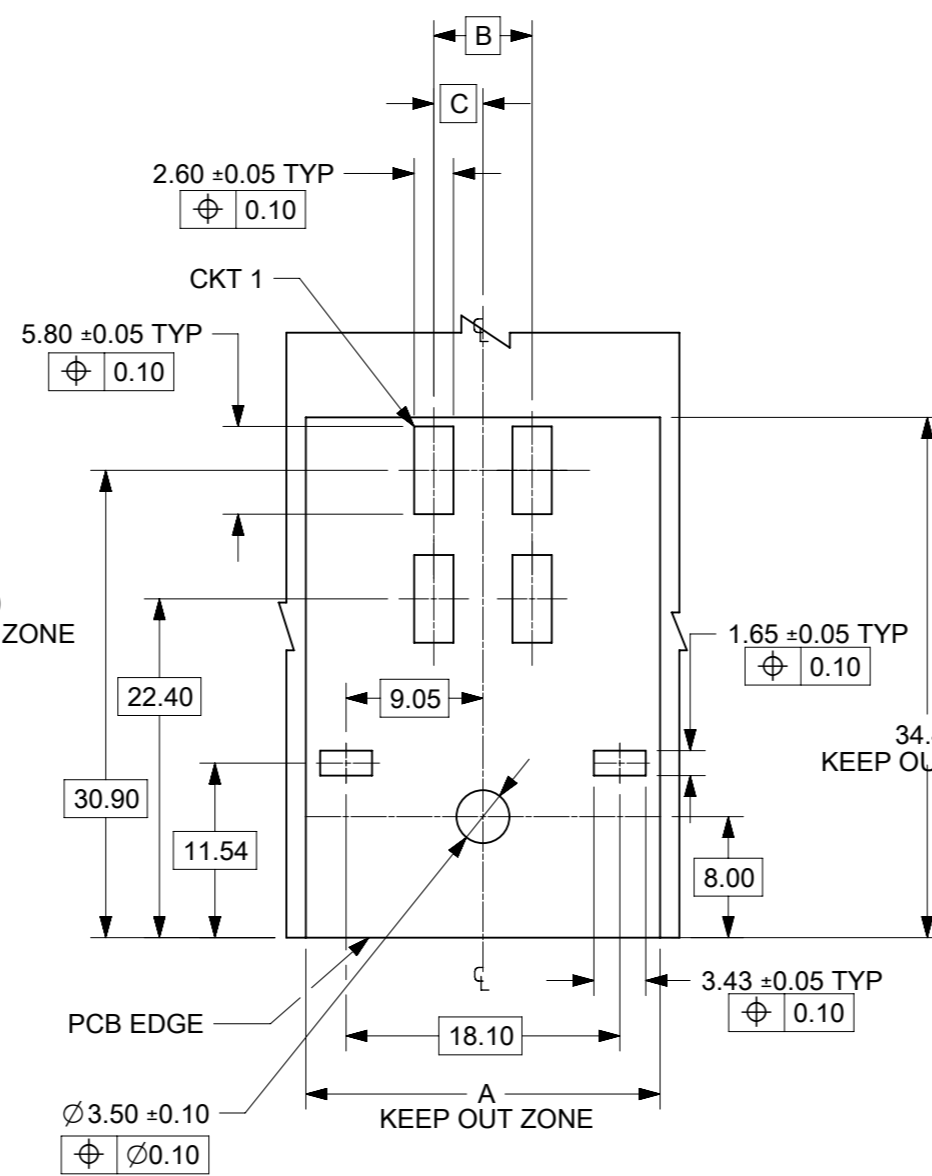
THIS DRAWING CONTAINS INFORMATION THAT IS PROPRIETARY TO MOLEX ELECTRONIC TECHNOLOGIES, LLC AND SHOULD NOT BE USED WITHOUT WRITTEN PERMISSION

DIMENSION UNITS mm	SCALE 4:1	CURRENT REV DESC: ADDED TRAY PK DETAILS			
GENERAL TOLERANCES (UNLESS SPECIFIED)	ANGULAR TOL ± 3.0°	EC NO: 638868			
4 PLACES ±	4 PLACES ±	DRWN: SMAHAJANSHET 2020/06/03	PRODUCT CUSTOMER DRAWING		
3 PLACES ±	3 PLACES ±	CHK'D: NCSR 2021/11/17	DOCUMENT NUMBER		
2 PLACES ± 0.2	2 PLACES ± 0.2	APPR: NCSR 2021/11/17	DOC TYPE DOC PART REVISION		
1 PLACE ±	1 PLACE ±	INITIAL REVISION:	2035552000-SD PSD 000 A1		
0 PLACES ±	0 PLACES ±	DRWN: SMAHAJANSHET 2019/01/29	MATERIAL NUMBER CUSTOMER		
DRAFT WHERE APPLICABLE MUST REMAIN WITHIN DIMENSIONS	THIRD ANGLE PROJECTION	APPR: NCSR 2019/04/26	SHEET NUMBER		
		DRAWING SERIES	SEE TABLE GENERAL MARKET 1 OF 3		
		A3-SIZE 203555			

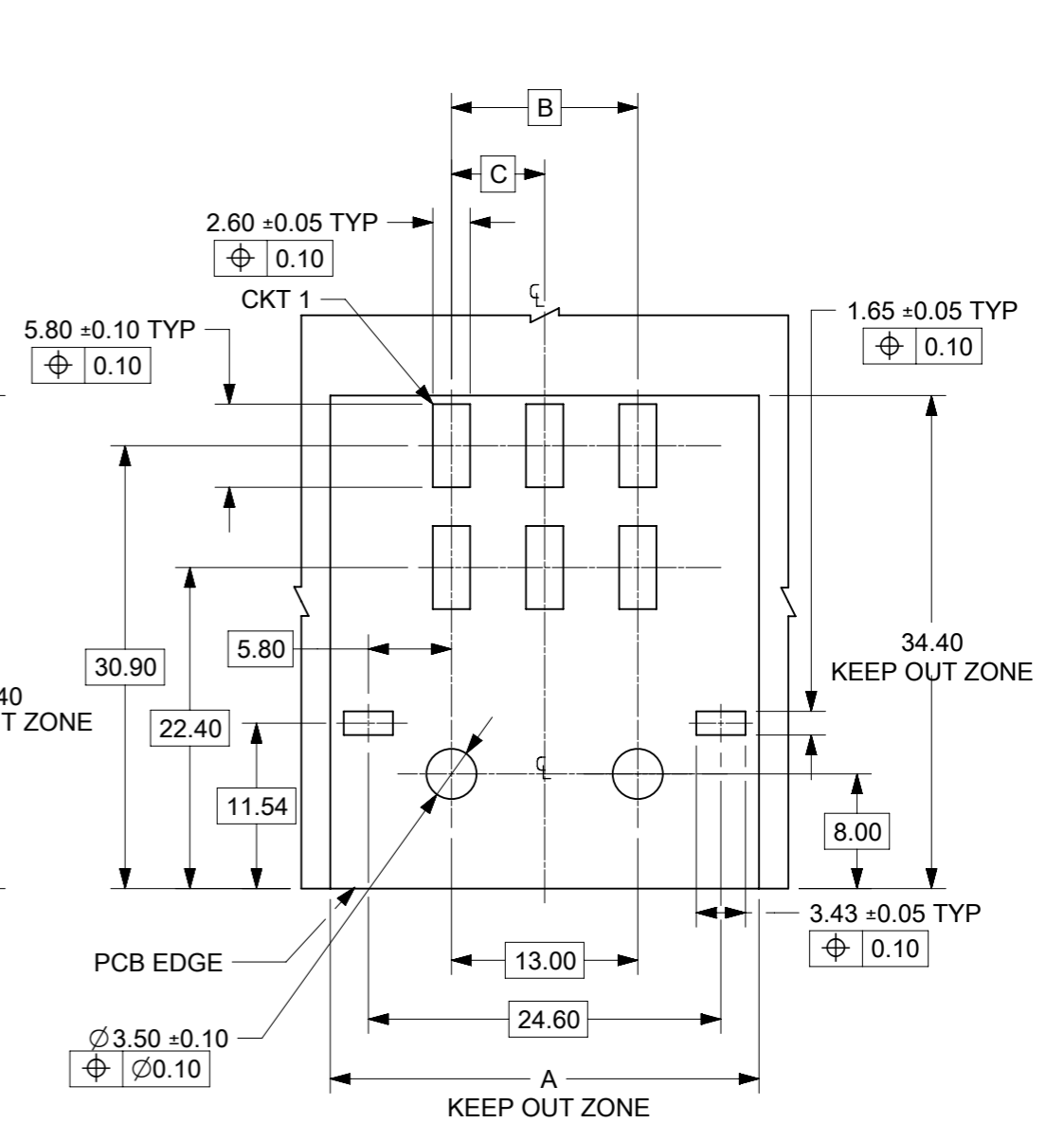
2 CKT PCB LAYOUT



4 CKT PCB LAYOUT



6 CKT PCB LAYOUT



REFERENCE MOUNTING AREA IN PCB
(MOUNTING SIDE, THICKNESS 1.60mm)

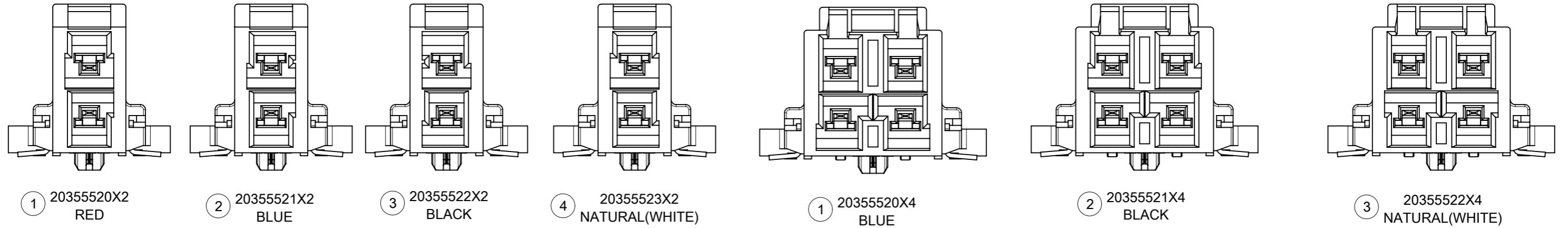
29.27	20.34	6.50	13.00	31.80	2035552XX6	6
22.77	13.84	3.25	6.50	25.30	2035552XX4	4
16.27	7.34	-	-	18.80	2035552XX2	2
E	D	C	B	A	MATERIAL NO.	CKT NO.

THIS DRAWING CONTAINS INFORMATION THAT IS PROPRIETARY TO MOLEX ELECTRONIC TECHNOLOGIES, LLC AND SHOULD NOT BE USED WITHOUT WRITTEN PERMISSION

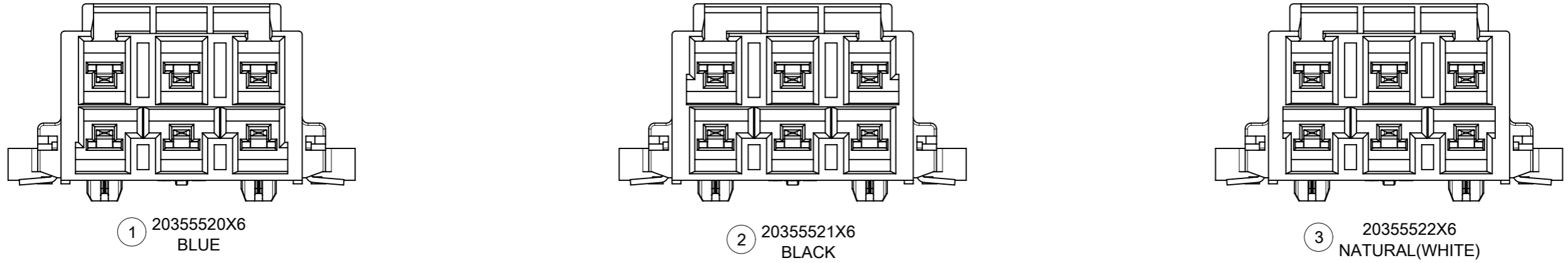
DIMENSION UNITS	SCALE	CURRENT REV DESC: ADDED TRAY PK DETAILS	molex			
mm	2:1					
GENERAL TOLERANCES (UNLESS SPECIFIED)		EC NO: 638868	CP6.5 R/A HEADER ASSY SMT WIRE TO BOARD CONNECTOR			
ANGULAR TOL	± 3.0°	DRWN: SMAHAJANSHET 2020/06/03	PRODUCT CUSTOMER DRAWING			
4 PLACES	±	CHK'D: NCSR 2021/11/17	DOCUMENT NUMBER			
3 PLACES	±	APPR: NCSR 2021/11/17	2035552000-SD			
2 PLACES	± 0.2	INITIAL REVISION:	DOC TYPE	DOC PART	REVISION	
1 PLACE	±	DRWN: SMAHAJANSHET 2019/01/29	PSD	000	A1	
0 PLACES	±	APPR: NCSR 2019/04/26				
DRAFT WHERE APPLICABLE MUST REMAIN WITHIN DIMENSIONS	THIRD ANGLE PROJECTION	DRAWING	SERIES	MATERIAL NUMBER	CUSTOMER	SHEET NUMBER
		A3-SIZE	203555	SEE TABLE	GENERAL MARKET	2 OF 3

HEADER ASSEMBLY WITH POLARIZATION FEATURES AND COLORS 2 CIRCUIT

HEADER ASSEMBLY WITH POLARIZATION FEATURES AND COLORS 4 CIRCUIT



HEADER ASSEMBLY WITH POLARIZATION FEATURES AND COLORS 6 CIRCUIT



LEGEND

203555 X X X X

- CKT SIZE
- PACKAGING SPEC (TRAY=1/TAPE & REEL=2)
- COLOR (POLARIZATION)
- THRU HOLE=1 / SMT=2
- CP6.5 R/A HEADER ASSY

NUMBER	COLOR	
	2 CKT	4 & 6 CKT
0	RED	BLUE
1	BLUE	BLACK
2	BLACK	NATURAL (WHITE)
3	NATURAL (WHITE)	---

THIS DRAWING CONTAINS INFORMATION THAT IS PROPRIETARY TO MOLEX ELECTRONIC TECHNOLOGIES, LLC AND SHOULD NOT BE USED WITHOUT WRITTEN PERMISSION									
DIMENSION UNITS	SCALE	CURRENT REV DESC: ADDED TRAY PK DETAILS							
mm	2.5:1	CP6.5 R/A HEADER ASSY SMT WIRE TO BOARD CONNECTOR							
GENERAL TOLERANCES (UNLESS SPECIFIED)									
ANGULAR TOL	± 3.0°	EC NO: 638868 DRWN: SMAHAJANSHET 2020/06/03 CHK'D: NCSR 2021/11/17 APPR: NCSR 2021/11/17							
4 PLACES	±	INITIAL REVISION: DRWN: SMAHAJANSHET 2019/01/29 APPR: NCSR 2019/04/26							
3 PLACES	±								
2 PLACES	± 0.2	DOCUMENT NUMBER		DOC TYPE	DOC PART	REVISION	PRODUCT CUSTOMER DRAWING		
1 PLACE	±	2035552000-SD		PSD	000	A1			
0 PLACES	±	MATERIAL NUMBER		CUSTOMER		SHEET NUMBER			
DRAFT WHERE APPLICABLE MUST REMAIN WITHIN DIMENSIONS		THIRD ANGLE PROJECTION	DRAWING	SERIES	SEE TABLE		GENERAL MARKET		3 OF 3