

REVISION -  
06/26/01MP

REVISION A  
CHANGED  
DIMENSIONS &  
PAD LAYOUT  
03/31/04 MP

TELECOMMUNICATION DRY COUPLING SURFACE MOUNT TRANSFORMER

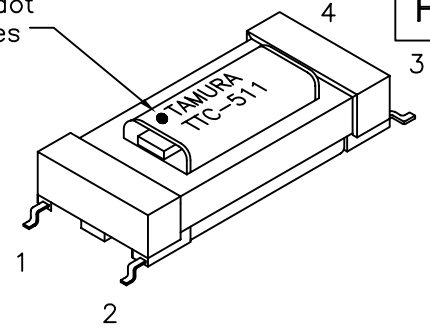
A. Electrical specifications (@ 25° C)

1. Pri source impedance; 600Ω
2. Sec load impedance; 287Ω
3. Frequency response; ±0.2dB, 300Hz to 3.5KHz, 0dBm
4. Return loss; 25dB MIN @ 300Hz to 3.5KHz
5. Insertion loss; 3.80dB MAX @ 1KHz, 0dBm
6. Longitudinal balance;  
60dB MIN @ 200Hz to 4KHz
7. DC resistance;  
(1-2) = 150Ω ±15%  
(3-4) = 175Ω ±15%
8. Turns ratio;  
(1-2) : (3-4) = 1 : 1.00 ±2%
9. Dielectric strength;  
1875Vrms 1 second @ Pri to Sec, Pri to Core  
625Vrms 1 second @ Sec to Core
10. Total harmonic distortion;  
-75dB MAX @ 600Hz, -10dBm (-82dB TYP)



MODEL NUMBER  
**TTC-511**

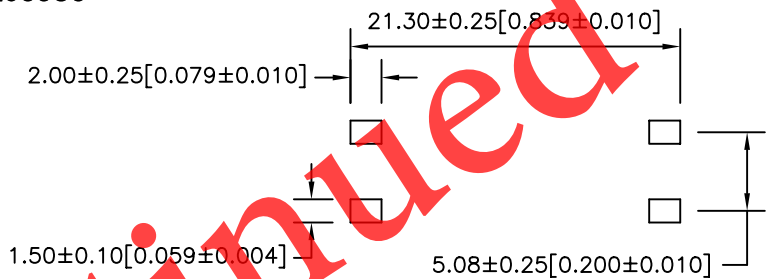
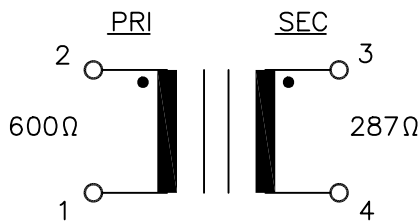
Block dot  
indicates  
pin 1



B. Marking; TTC-511, TAMURA, date code and country of origin

C. Safety; UL1950 3rd Edition, UL60950

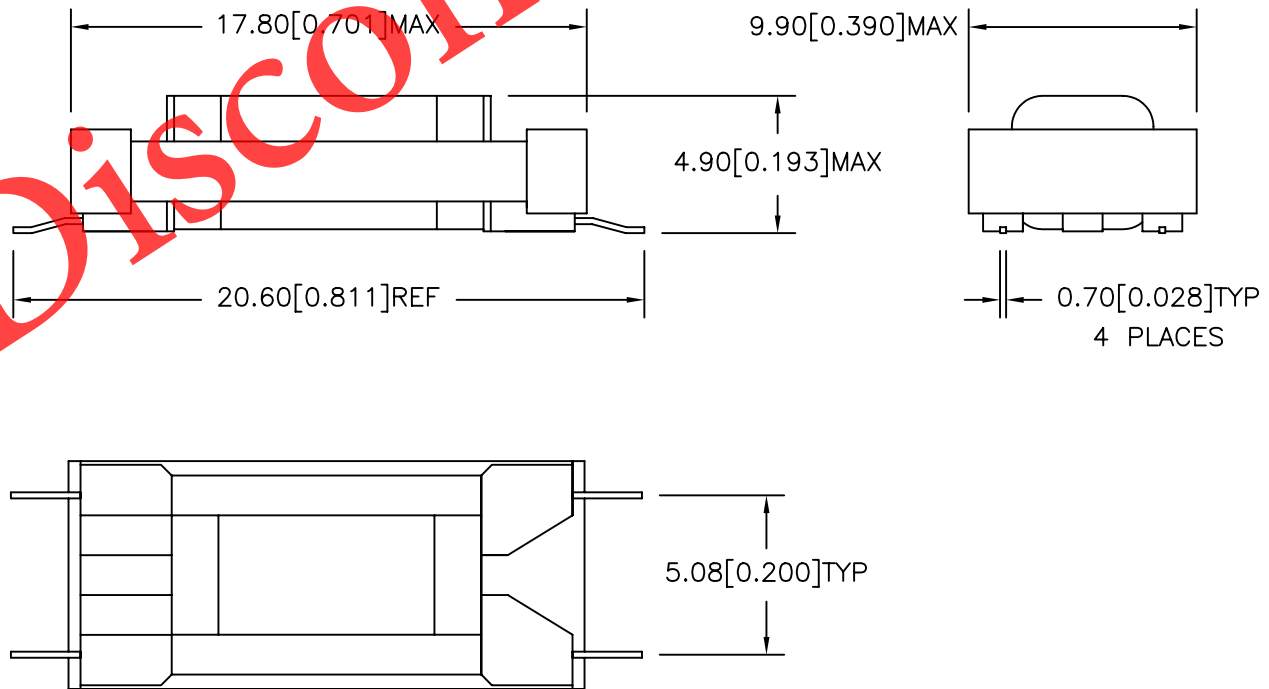
D. Schematic diagram;



Suggested Pad Layout

E. Mechanical Specifications;

All dimensions shown are nominal unless otherwise specified



PREPARED BY:

D. Rund

ENGINEER:

M. Pitchai

QUALITY CONTROL:

T. Clem

APPROVED:

J. Coleman

DRAWING CONTROL NO.  
P-A1-12378  
ACAD\TTC\A1123781.DWG

REV  
**A**

MODEL DESCRIPTION  
TELECOMMUNICATION SURFACE MOUNT  
DRY COUPLING TRANSFORMER

MODEL SPECIFICATION

**TTC-511**

CONTENTS OF THIS DRAWING ARE  
SUBJECT TO CHANGE WITHOUT  
PRIOR NOTICE

**TAMURA CORPORATION OF AMERICA**  
43352 BUSINESS PARK DRIVE, TEMECULA, CA. 92590-6624  
(909) 699-1270 FAX 9096769482

DIM: mm(In) SCL: 4/1 SH: 1 OF 1

PROPRIETARY NOTICE: THIS DRAWING PRINT OR DOCUMENT AND SUBJECT MATTER DISCLOSED HEREIN ARE PROPRIETARY ITEMS TO WHICH TAMURA RETAINS THE EXCLUSIVE RIGHT OF DISSEMINATION, REPRODUCTION, MANUFACTURE AND SALE. THIS DRAWING, PRINT OR DOCUMENT IS SUBMITTED IN CONFIDENCE FOR CONSIDERATION BY THE RECIPIENT ALONE UNLESS PERMISSION FOR FURTHER DISCLOSURE IS EXPRESSLY GRANTED IN WRITING.