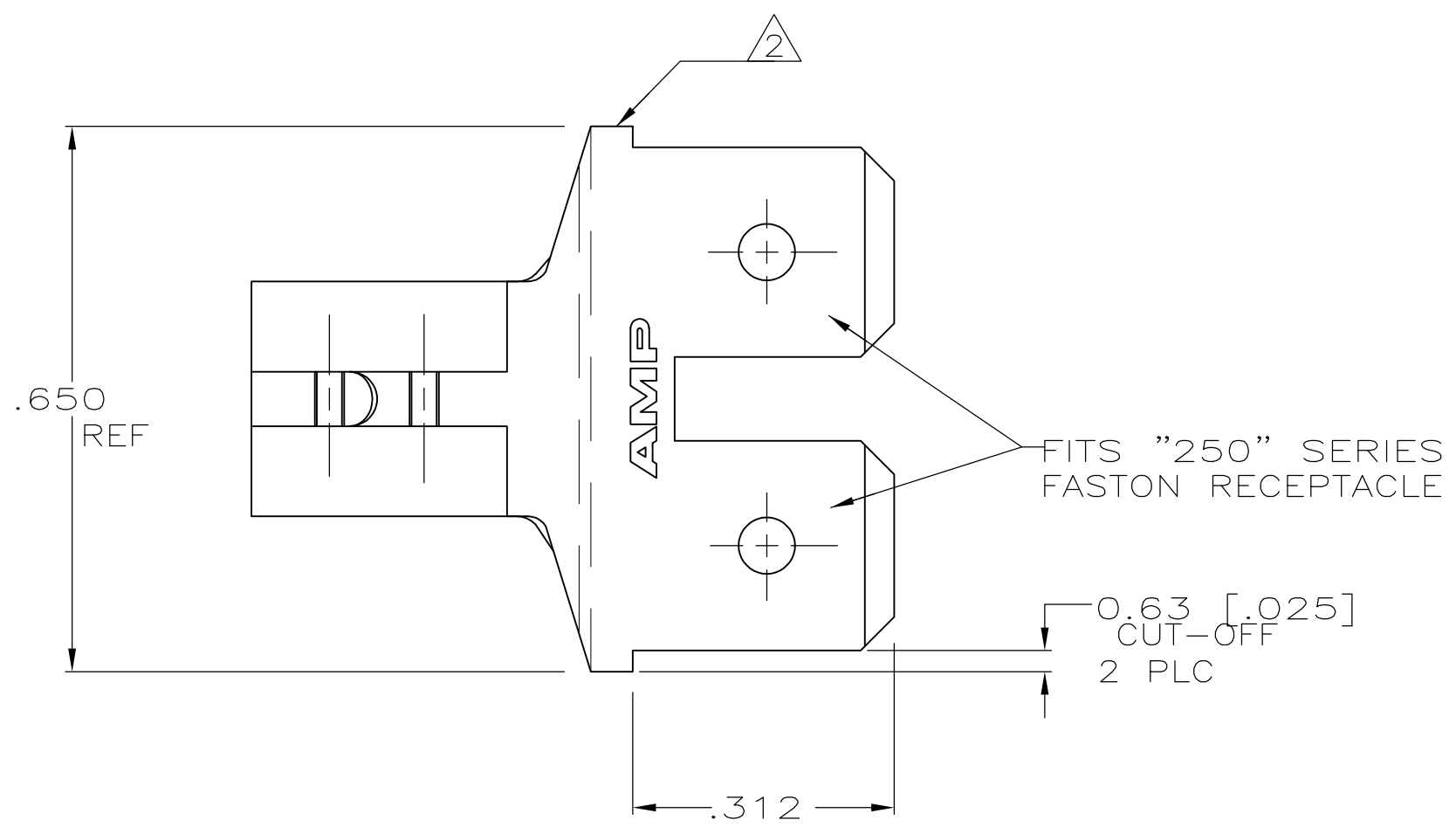
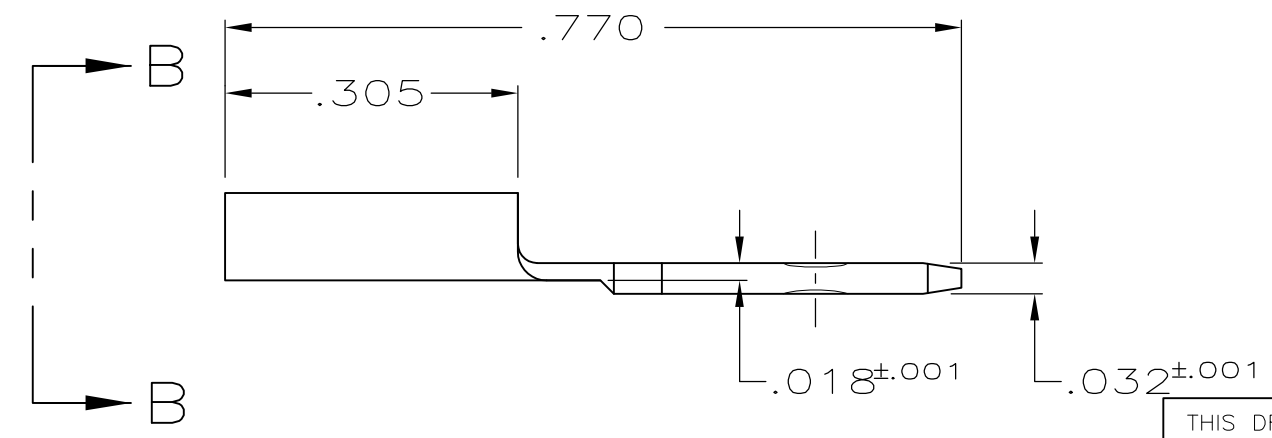
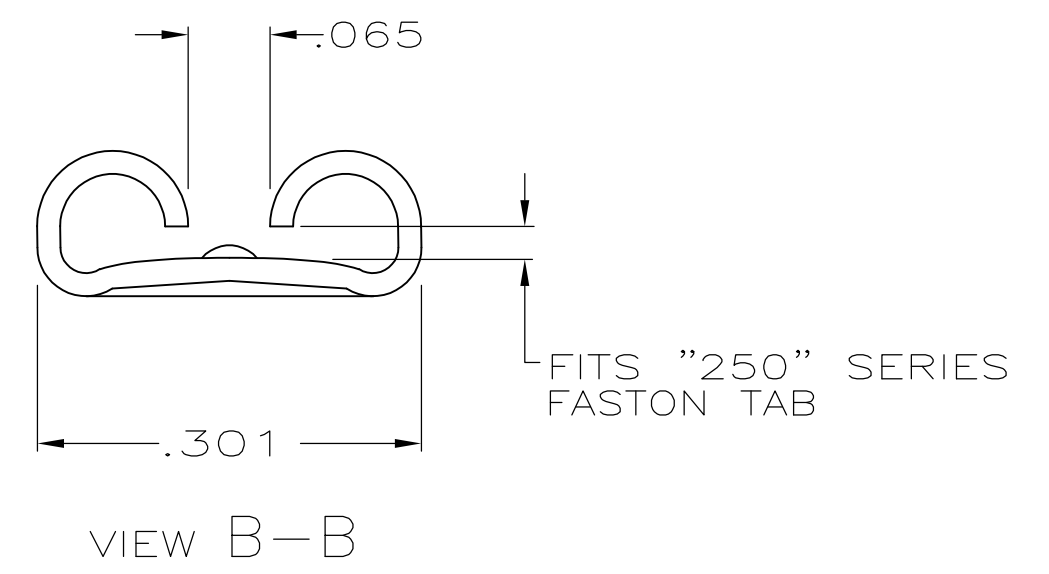


THIS DRAWING IS UNPUBLISHED. RELEASED FOR PUBLICATION
 © COPYRIGHT - By - ALL RIGHTS RESERVED.

LOC	DIST	REVISIONS					
AF	50	P	LTR	DESCRIPTION	DATE	DWN	APVD
		G		REVISED PER ECR-12-013459	28NOV2012	KH	PD



1 SUPPLIED IN LOOSE PIECE.
 2 BARE EDGES PERMITTED.



.032	TIN PL .000080 MIN THK	BRASS	61765-2
	NONE		61765-1
MATING TAB THK ±.001	FINISH	MATERIAL	PART NO.

THIS DRAWING IS A CONTROLLED DOCUMENT.		DWN DK SCHRUM 3/10/86	TE Connectivity			
DIMENSIONS: INCHES		CHK JR RUTH 3/10/86			NAME	
		APVD C MEYERS 3/15/86				
TOLERANCES UNLESS OTHERWISE SPECIFIED:		PRODUCT SPEC	RECEPTACLE AND TABS, FASTON, ADAPTER, 250 SERIES			
0 PLC ± - 1 PLC ± - 2 PLC ± - 3 PLC ± .015 4 PLC ± - ANGLES ± -		APPLICATION SPEC	SIZE	CAGE CODE	DRAWING NO	RESTRICTED TO
MATERIAL SEE TABLE		FINISH SEE TABLE	—	A300779	C-61765	—
CUSTOMER DRAWING			SCALE 5:1	SHEET 1 OF 1	REV G	