

This document is the property of Amphenol Corporation and is delivered on the express condition that is not to be disclosed, reproduced or used, in whole or in part, for manufacture or sale by anyone other than Amphenol Corporation without its prior consent, and that no right is granted to disclose or to use any information in this document.

The marking on this product doesn't contain environmental hazardous materials per directive 2011/65/EU & 2015/863/EU for RoHS compliant and per IEC 61249-2-21 for Halogen-Free compliant.

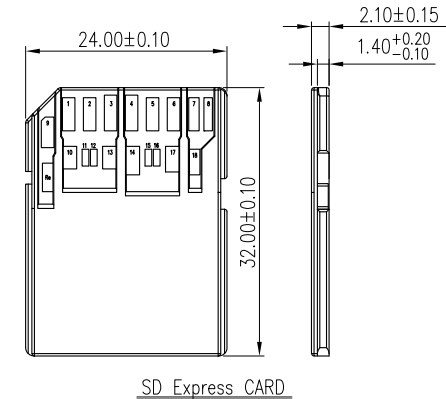
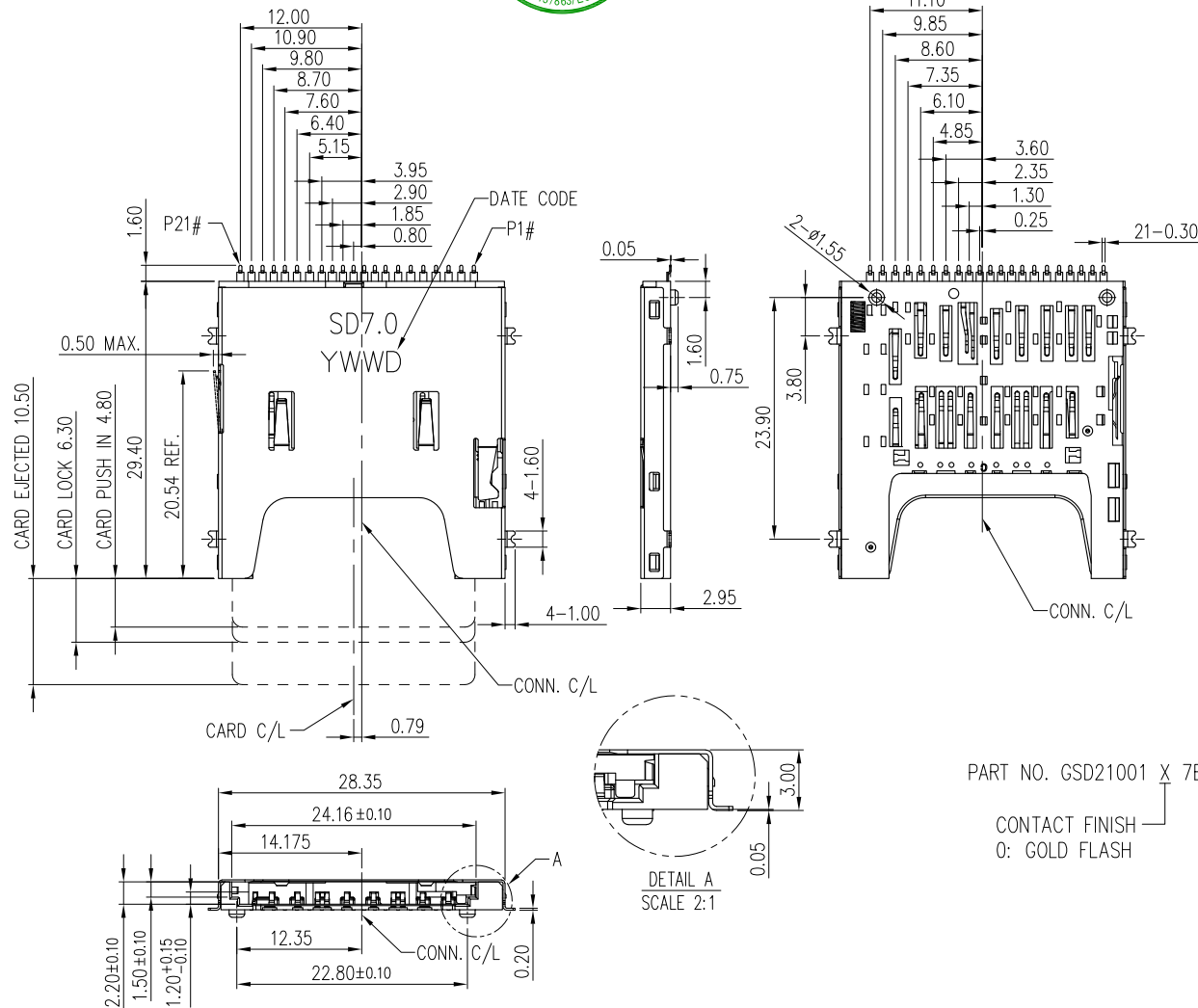


FOR REFERENCE ONLY

REVISIONS				
SYM	ECN No.	DESCRIPTION	DATE	BY
AX2		UPDATE DIMENSION 0.90 3.15, 2.30, 1.60/ADDED 3.20	2020-04-28	Karen Su
AX3		UPDATE DRAWING	2020-06-29	Karen Su
AX4	EDSR#11192	UPDATE DRAWING	2021-06-24	Karen Su
AX5		ADD TRAC AND VIA KEEP OUT AREA DIM.	2021-12-06	Karen Su
AX6		ADD DIM.20.54(C1)/UPDATE CARD LOCK & PUSH IN DIM.(C1) /CHANGED 2-Ø1.50 TO 2-Ø1.55(C4)/UPDATE TOLERANCE(E1~E3) /UPDATE THE LINES OF THE BACK VIEW	2022-04-14	Karen Su
AX7		UPDATE DIM.0.50(C1)&20.54(C1)&1.40(D8) UPDATE PRODUCT APPEARANCE	2022-07-05	Karen Su

NOTES:

- MATERIAL:
 - HOUSING: HIGH TEMPERATURE THERMAL PLASTIC, LCP, UL94V-0, COLOR: BLACK.
 - SLIDE: HIGH TEMPERATURE THERMAL PLASTIC, LCP, UL94V-0, COLOR: BLACK.
 - TERMINAL: COPPER ALLOY.
 - SHELL: STAINLESS.
 - SPRING: SWP-B.
 - PUSH HOOK: STAINLESS.
- FINISH:
 - TERMINAL:
 - CONTACT AREA: SELECTED GOLD PLATING THICKNESS MIN.;
 - SOLDERING AREA: MATTE TIN PLATING 100μ" THICKNESS MIN.;
 - UNDER PLATING: NICKEL PLATING 50μ" THICKNESS MIN. OVERALL.
 - SHELL:
 - SOLDERABLE NICKEL 50μ" THICKNESS MIN.OVERALL
- PRODUCT SPECIFICATION REFER TO : PS-7773.
- TEST SUMMARY REFER TO : TS-7773.
- BEFORE IR REFLOW, COPLANARITY OF SOLDER PINS 0.10MM MAX.
- THIS PRODUCT DOESN'T CONTAIN ENVIRONMENTAL HAZARDOUS PER DIRECTIVE 2011/65/EU FOR ROHS COMPLIANT. OR PER IEC 61249-2-21 FOR HALOGEN-FREE COMPLIANT.
- DO NOT ADD OBJECT TO THE SHELL, SUCH AS CONDUCTIVE SPONGE.



CARD DETECT	8# 9#	8# 9#
	CARD OUT	CARD INSERT
WRITE PROTECT	21# GND	21# GND#
	WRITE PROTECTED	WRITE ENABLE

TOLERANCE	APPROVALS	DATE	TITLE	UNIT	SIZE	PART No.
X. ±0.30	DRAWN Karen Su	2022-07-05	SD EXPRESS CARD CONN. GSD 7.0 SERIES, SMT, PUSH-PUSH TYPE NORMAL OPEN, WITH POST	mm	A3	GSD21001X7BHR
X.XX ±0.20	CHECKED Joseph Jiang	2022-07-05		SCALE NA	SHEET 1 OF 3	
X.XXX ±0.10	APPROVED Roger Tsai	2022-07-05				DWG No. GSD21001X7BHR
ANGULAR ±1'	DWG TYPE CUST DWG	PROJECT CODE OTHER				REV. AX7
UNLESS OTHERWISE SPECIFIED						

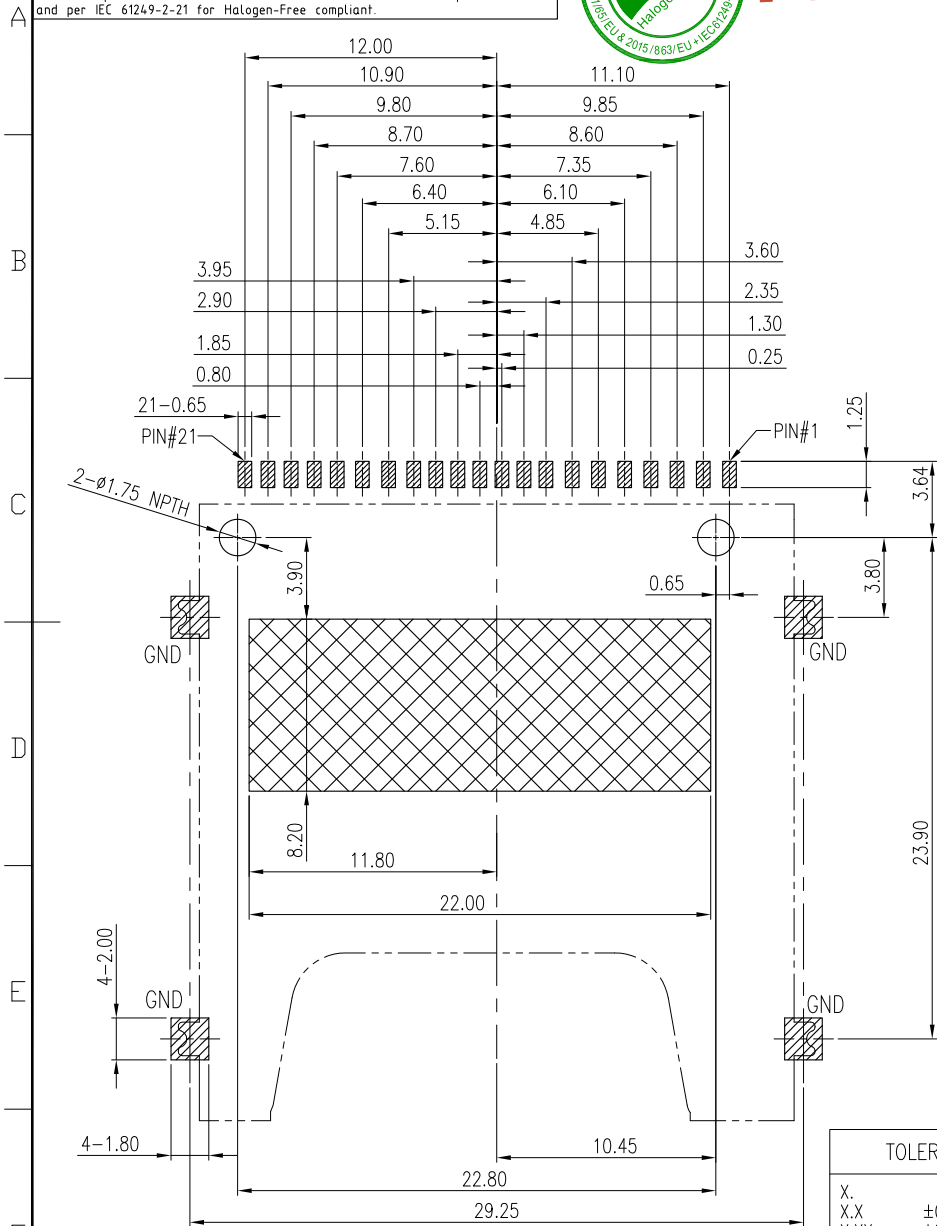
This document is the property of Amphenol Corporation and is delivered on the express condition that is not to be disclosed, reproduced or used, in whole or in part, for manufacture or sale by anyone other than Amphenol Corporation without its prior consent, and that no right is granted to disclose or to use any information in this document.

The marking on this product doesn't contain environmental hazardous materials per directive 2011/65/EU & 2015/863/EU for RoHS compliant and per IEC 61249-2-21 for Halogen-Free compliant.



FOR REFERENCE ONLY

REVISIONS				
SYM	ECN No.	DESCRIPTION	DATE	BY
AX2		UPDATE DIMENSION 0.90 3.15, 2.30, 1.60/ADDED 3.20	2020-04-28	Karen Su
AX3		UPDATE DRAWING	2020-06-29	Karen Su
AX4	EDSR#11192	UPDATE DRAWING	2021-06-24	Karen Su
AX5		ADD TRAC AND VIA KEEP OUT AREA DIM.	2021-12-06	Karen Su
AX6		ADD DIM.20.54(C1)/UPDATE CARD LOCK & PUSH IN DIM.(C1)/CHANGED 2-Ø1.50 TO 2-Ø1.55(C4)/UPDATE TOLERANCE(E1~E3)/UPDATE THE LINES OF THE BACK VIEW	2022-04-14	Karen Su
AX7		UPDATE DIM.0.50(C1)&20.54(C1)&1.40(D8) UPDATE PRODUCT APPEARANCE	2022-07-05	Karen Su



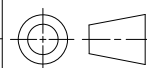
PIN ASSIGNMENT:

PIN#	NAME	DESCRIPTION	CARD PAD#	PIN#	NAME	DESCRIPTION	CARD PAD#
1	VSS3	Supply voltage ground	10	12	VDD	Supply voltage	4
2	/	Reserved	Re	13	PCle_Rx-	/	15
3	DAT2	Data Line(Bit 2)	9	14	CLK	Clock	5
4	PCle_Tx+	/	11	15	PCle_Rx+	/	16
5	CD/DAT3	Card Detect/Data Line(Bit 3)	1	16	VSS2	Supply voltage ground	6
6	PCle_Tx-	/	12	17	VSS5	Supply voltage ground	17
7	CMD	Command/Response	2	18	DAT0	Data Line(Bit 0)	7
8	CD	Card Detect	3	19	DAT1	Data Line(Bit 1)	8
9	VSS1	Supply voltage ground	3	20	VDD3	Supply voltage(1.2V)-TBD ⁽²⁾	18
10	VSS4	Supply voltage ground	13	21	WP	Write protect	
11	VDD2	Supply voltage (1.8V)	14				

▨ PAD AREA
 ▩ TRAC AND VIA KEEP OUT AREA

RECOMMEND PC BOARD LAYOUT
 TOLERANCE:±0.05mm

TOLERANCE	APPROVALS	DATE	TITLE	UNIT	SIZE	PART No.
X. ±0.30	DRAWN Karen Su	2022-07-05	SD EXPRESS CARD CONN. GSD 7.0 SERIES, SMT, PUSH-PUSH TYPE NORMAL OPEN, WITH POST	mm	A3	GSD21001X7BHR
X.X ±0.20	CHECKED Joseph Jiang	2022-07-05		SCALE	SHEET	
X.XX ±0.10	APPROVED Roger Tsai	2022-07-05		NA	2 OF 3	DWG No.
ANGULAR ±1°	DWG TYPE CUST DWG	PROJECT CODE OTHER				REV. AX7



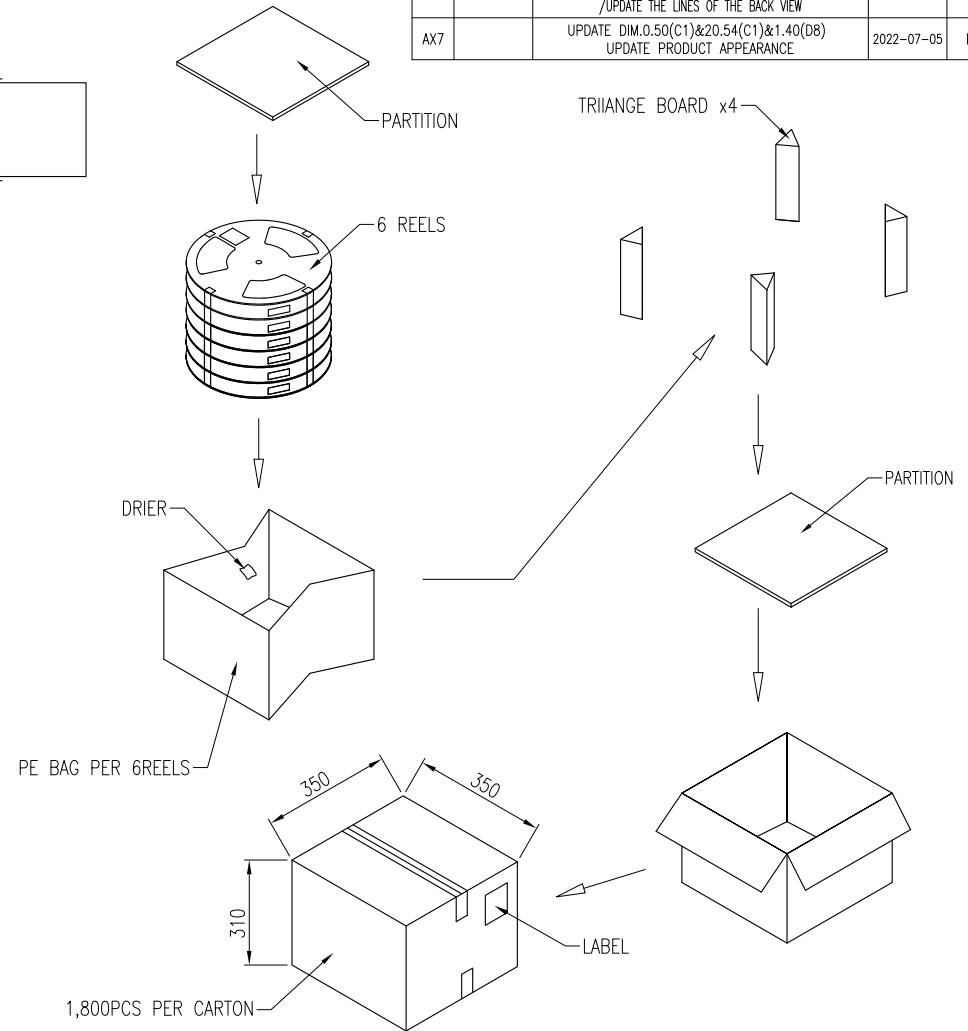
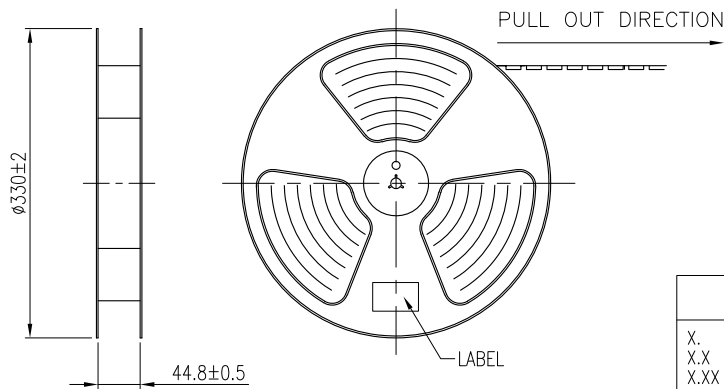
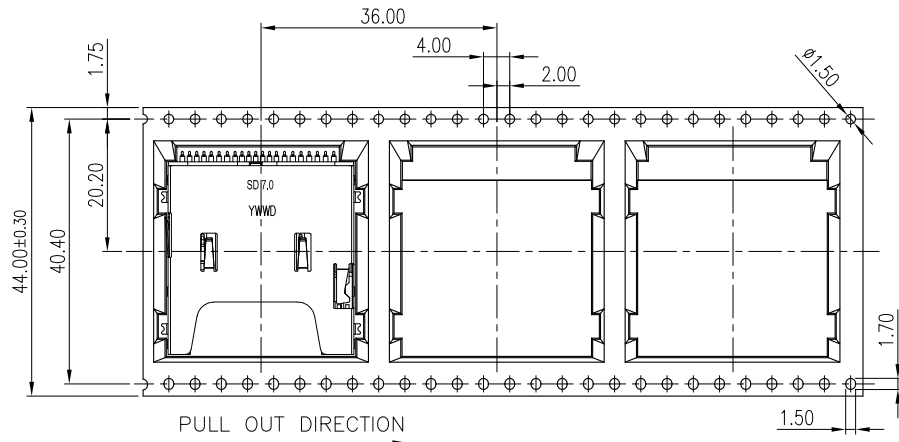
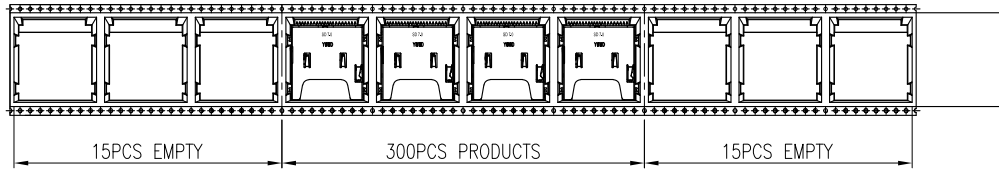
This document is the property of Amphenol Corporation and is delivered on the express condition that is not to be disclosed, reproduced or used, in whole or in part, for manufacture or sale by anyone other than Amphenol Corporation without its prior consent, and that no right is granted to disclose or to use any information in this document.

The marking on this product doesn't contain environmental hazardous materials per directive 2011/65/EU & 2015/863/EU for RoHS compliant and per IEC 61249-2-21 for Halogen-Free compliant.



FOR REFERENCE ONLY

REVISIONS				
SYM	ECN No.	DESCRIPTION	DATE	BY
AX2		UPDATE DIMENSION 0.90 3.15, 2.30, 1.60/ADDED 3.20	2020-04-28	Karen Su
AX3		UPDATE DRAWING	2020-06-29	Karen Su
AX4	EDSR#11192	UPDATE DRAWING	2021-06-24	Karen Su
AX5		ADD TRAC AND VIA KEEP OUT AREA DIM.	2021-12-06	Karen Su
AX6		ADD DIM.20.54(C1)/UPDATE CARD LOCK & PUSH IN DIM.(C1) /CHANGED 2-#1.50 TO 2-#1.55(C4)/UPDATE TOLERANCE(E1~E3) /UPDATE THE LINES OF THE BACK VIEW	2022-04-14	Karen Su
AX7		UPDATE DIM.0.50(C1)&20.54(C1)&1.40(DB) UPDATE PRODUCT APPEARANCE	2022-07-05	Karen Su



TOLERANCE		APPROVALS		DATE	TITLE		Amphenol®						
X.		DRAWN	Karen Su	2022-07-05	SD EXPRESS CARD CONN. GSD 7.0 SERIES, SMT, PUSH-PUSH TYPE NORMAL OPEN, WITH POST		Amphenol Corporation Amphenol Taiwan Corporation						
X.X	±0.30	CHECKED	Joseph Jiang	2022-07-05									
X.XX	±0.20	APPROVED	Roger Tsai	2022-07-05									
X.XXX	±0.10	DWG TYPE	CUST DWG	PROJECT CODE			OTHER						
ANGULAR	±1°					UNIT	mm	SIZE	A3	PART No.	GSD21001X7BHR		
UNLESS OTHERWISE SPECIFIED						SCALE	NA	SHEET	3 OF 3	DWG No.	GSD21001X7BHR	REV.	AX7