

SFP-10GB-AOCXM-C
10GBASE-AOC SFP+ MMF
850NM, UP TO 10M



SFP-10GB-AOCXM-C

MSA and TAA Compliant 10GBase-AOC SFP+ Active Optical Cable (850nm, MMF, Up to 10m)

Features

- Electrical interface compliant to SFF-8431
- Hot Pluggable
- Up to 10m Length
- 850nm VCSEL transmitter, PIN photo-detector receiver
- Operating case temperature: 0°C to 70°C
- All-metal housing for superior EMI performance
- RoHS compliant (lead free)



Product Description

This is an MSA compliant 10GBase-AOC SFP+ to SFP+ active optical cable that operates over multi-mode fiber with a maximum reach of 10.0m (32.8ft). At a wavelength of 850nm, it has been programmed, uniquely serialized, and data-traffic and application tested to ensure it is 100% compliant and functional. This active optical cable is TAA (Trade Agreements Act) compliant, and is built to comply with MSA (Multi-Source Agreement) standards. We stand behind the quality of our products and proudly offer a limited lifetime warranty.

ProLabs' SFP+ active optical cables are RoHS compliant and lead free.

TAA refers to the Trade Agreements Act (19 U.S.C. & 2501-2581), which is intended to foster fair and open international trade. TAA requires that the U.S. Government may acquire only "U.S. – made or designated country end products.



Regulatory Compliance

- ESD to the Electrical PINs: compatible with MIL-STD-883 Method 3015.
- ESD to the Duplex LC Receptacle: compatible with IEC 61000-4-2.
- Immunity compatible with IEC 61000-4-3.
- EMI compatible with FCC Part 15 Class B EN55022 Class B (CISPR 22B) VCCI Class B.
- Laser Eye Safety compatible with FDA 21CFR 1040.10 and 1040.11 EN60950, EN (IEC) 60825-1,2.
- RoHs compliant with 2002/95/EC 4.1&4.2 2005/747/EC.

Order Information

Part Number	Description
SFP-10GB-AOC1M-C	MSA and TAA Compliant 10GBase-AOC SFP+ Active Optical Cable (850nm, MMF, 1m)
SFP-10GB-AOC2M-C	MSA and TAA Compliant 10GBase-AOC SFP+ Active Optical Cable (850nm, MMF, 2m)
SFP-10GB-AOC3M-C	MSA and TAA Compliant 10GBase-AOC SFP+ Active Optical Cable (850nm, MMF, 3m)
SFP-10GB-AOC5M-C	MSA and TAA Compliant 10GBase-AOC SFP+ Active Optical Cable (850nm, MMF, 5m)
SFP-10GB-AOC7M-C	MSA and TAA Compliant 10GBase-AOC SFP+ Active Optical Cable (850nm, MMF, 7m)
SFP-10GB-AOC10M-C	MSA and TAA Compliant 10GBase-AOC SFP+ Active Optical Cable (850nm, MMF, 10m)

SFP+AOC Specifications

Parameter	Description
Module Form Factor	SFP+ (Supports SFF8431/SFF8432/SFF8472)
Protocols Supported	InfiniBand, Ethernet, Fiber Channel
Channel Data Rate	Rate 1 to 10.3125Gbps
BER	$<10^{-12}$
Operating Case Temperature	0°C to 70°C
Storage Temperature	-20 to + 85°C
Supply Voltage	3.3V
Supply Current (typical)	230mA per end
Management Interface Serial	I ² C (Supports SFF8472)

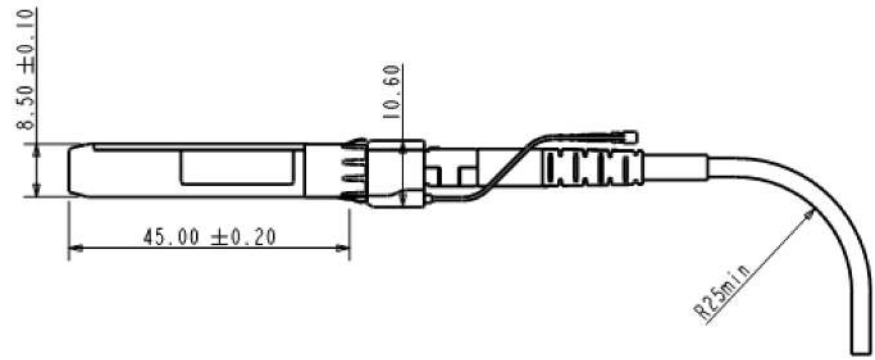
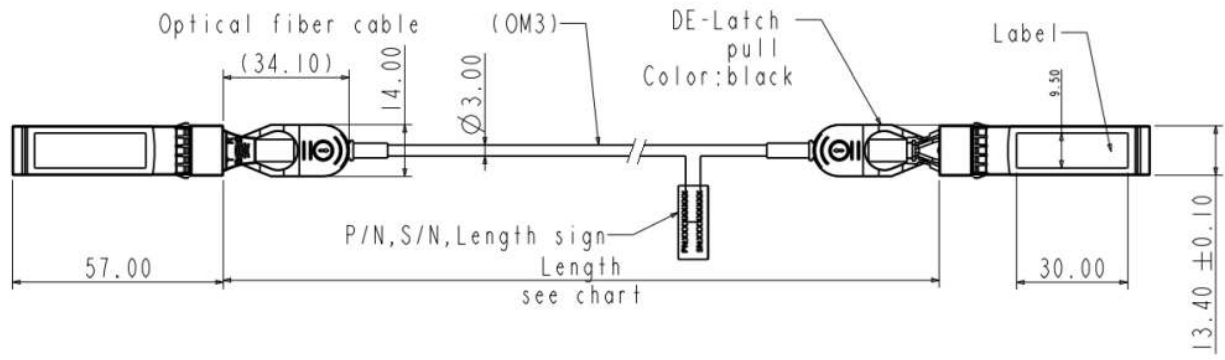
Optical Characteristics

Parameter	Symbol	Min.	Typ.	Max.	Unit	Notes
Transmitter						
Centre Wavelength	λ_C	840	850	860	nm	
RMS spectral width	$\Delta\lambda$				nm	1
Average launch power, each lane	P _{out}	-6.5		-1	dBm	2
Extinction Ratio	ER	3.5			dB	3
Transmitter Dispersion Penalty	TDP			3.9	dB	
Relative Intensity Noise	R _{in}			-128	dB/Hz	4
Optical Return Loss Tolerance				12	dB	
Receiver						
Center Wavelength	λ_C	840	850	860	nm	
Receiver Sensitivity	P _{sens}			-11.1	dBm	5
Stress Sensitivity in OMA				-7.5	dBm	5
Los function	Los	-30		-12	dBm	
Overload	P _{in}			-1.0	dBm	5
Receiver Reflectance				-12	dB	

Note:

1. Tradeoffs are available between spectral width, center wavelength and minimum OMA.
2. The optical power is launched into MMF
3. Measured with PRBS 2³¹-1 test pattern @10.3125Gbps
4. 12dB reflection
5. Measured with PRBS 2³¹-1 test pattern @10.3125Gbps, BER≤10⁻¹²

Mechanical Specification



Cable Color: Aqua