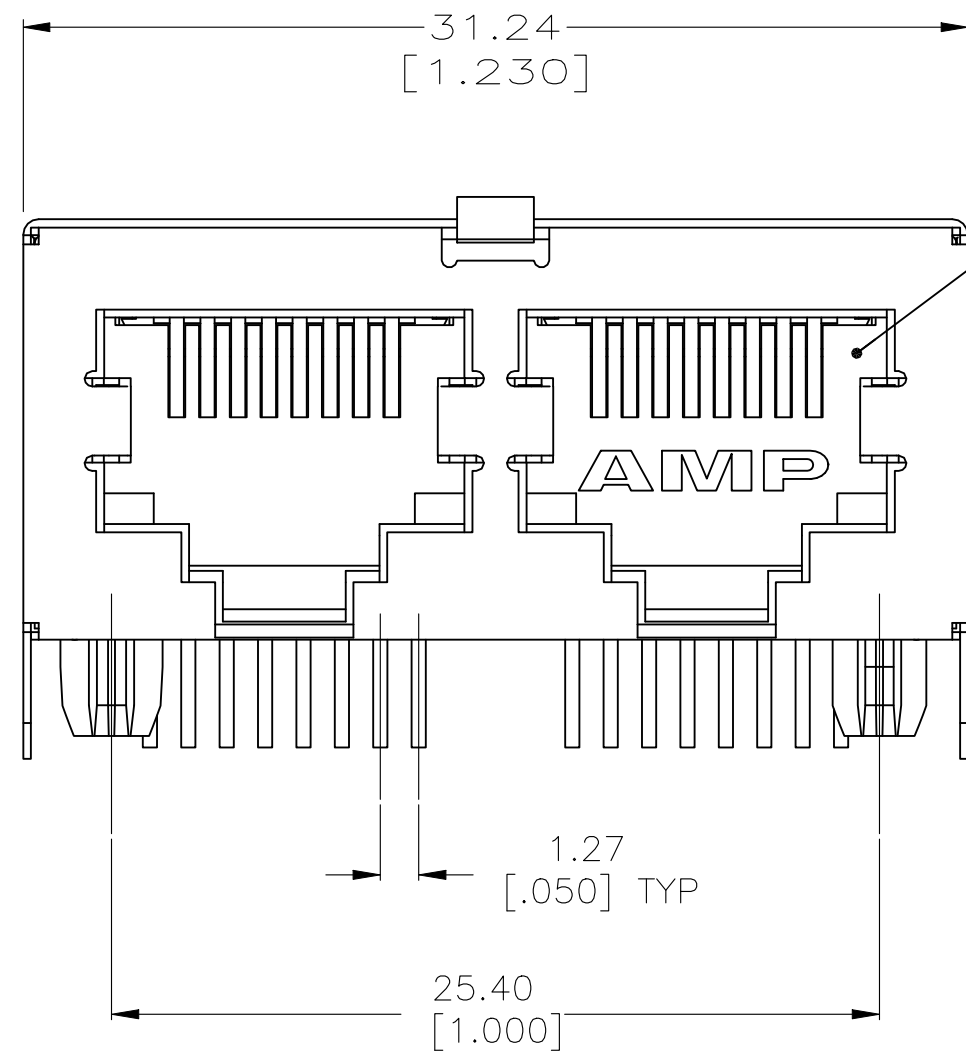


REVISIONS					
P	LTR	DESCRIPTION	DATE	DWN	APVD
D1		ECR-19-014657	13DEC2020	RR	SZ



FRONT SHIELD

13.64 [.537]

21.34 [.840]

REAR SHIELD

3.94 [.155]

3.56±0.38 [.140±.015]

10.8 [.425]

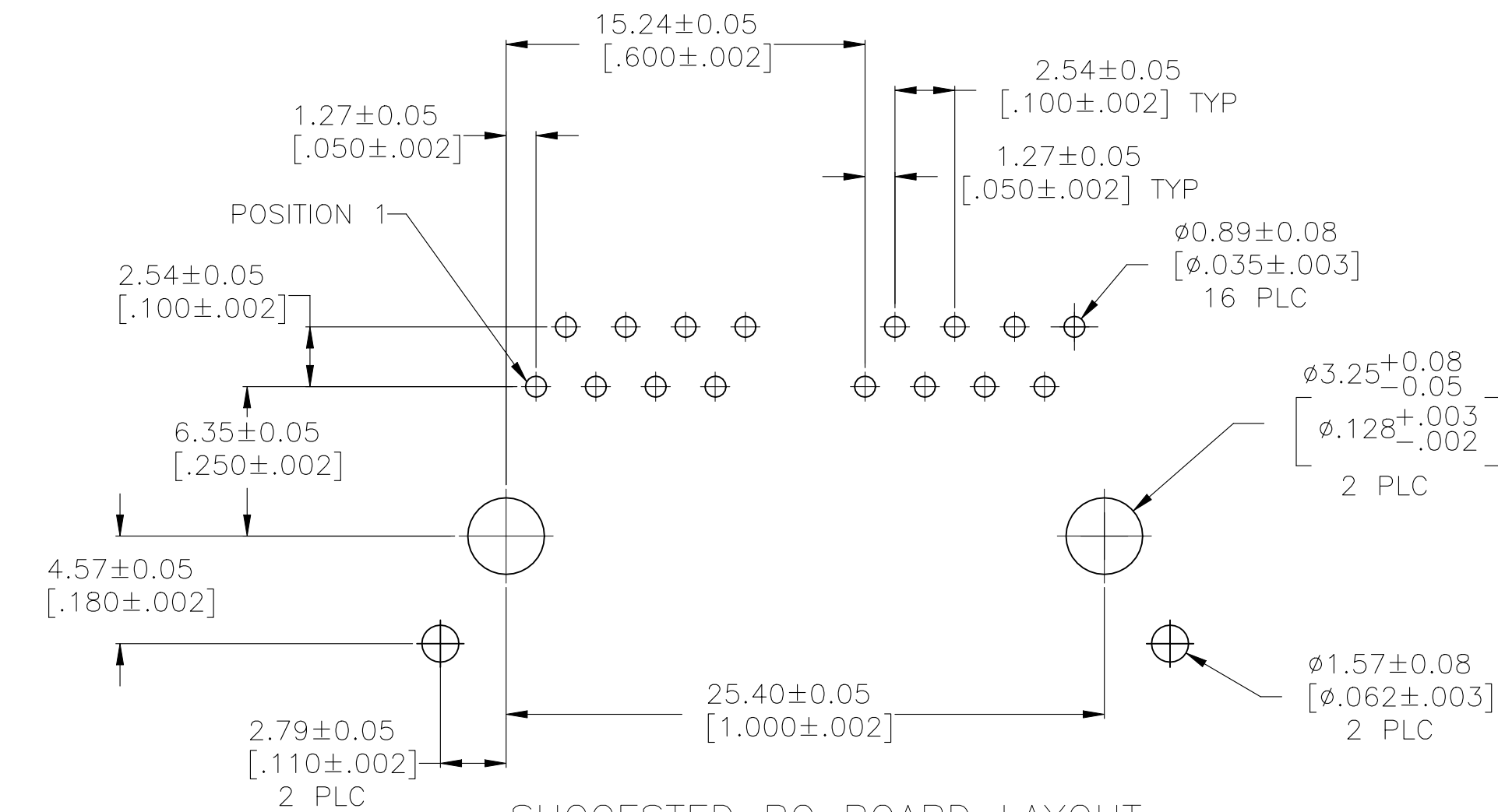
2.54 [.100]

4.57 [.180]

6.35 [.250]

- MATERIAL: HOUSING – NYLON, COLOR: BLACK, UL 94V-0. OVERMOLDED TERMINAL ARRAY – PBT, BROWN. TERMINALS – 0.33[.013] THICK PHOS BRONZE PLATED WITH 1.27 μm[.000050] MIN THICK HARD GOLD IN LOCALIZED AREA AND 3.81μm [.000150] MINIMUM THICK MATTE TIN IN SOLDER AREA OVER 1.27 μm[.000050] MIN THICK NICKEL UNDERPLATE. SHIELD – 0.25[.010] THICK COPPER ALLOY PLATED WITH 1.27 μm [.000050] MIN NICKEL AND 2.03 μm [.000080] MIN HOT TIN DIP ON PCB GROUND TABS.

△ JACK CAVITY CONFORMS TO FCC RULES AND REGULATIONS, PART 68 SUBPART F.



SUGGESTED PC BOARD LAYOUT
COMPONENT SIDE
SEE APPLICATION SPECIFICATION

5558434-1
PART NUMBER

THIS DRAWING IS A CONTROLLED DOCUMENT.		DWN G. GARRETT/L.A.MAYER 09MAY2005	TE Connectivity													
DIMENSIONS: mm		CHK C. WHITT 09MAY2005														
TOLERANCES UNLESS OTHERWISE SPECIFIED:		APVD S.FLICKINGER 09MAY2005	NAME MODULAR JACK ASY, 2 PORT, 8 POSITION, RIGHT ANGLE, PANEL GROUND, CATEGORY 5e													
<table border="1"> <tr><td>0 PLC</td><td>± -</td></tr> <tr><td>1 PLC</td><td>± -</td></tr> <tr><td>2 PLC</td><td>± 0.25[.01]</td></tr> <tr><td>3 PLC</td><td>± 0.13[.005]</td></tr> <tr><td>4 PLC</td><td>± -</td></tr> <tr><td>ANGLES</td><td>± -</td></tr> </table>		0 PLC	± -	1 PLC	± -	2 PLC	± 0.25[.01]	3 PLC	± 0.13[.005]	4 PLC	± -	ANGLES	± -	PRODUCT SPEC 108-1163-2	SIZE A2	CAGE CODE 00779
0 PLC	± -															
1 PLC	± -															
2 PLC	± 0.25[.01]															
3 PLC	± 0.13[.005]															
4 PLC	± -															
ANGLES	± -															
MATERIAL SEE NOTE 1		FINISH SEE NOTE 1	WEIGHT 0.000000	DRAWING NO C=5558434												
		CUSTOMER DRAWING		RESTRICTED TO -												
		SCALE 4:1		SHEET 1 OF 1												
				REV D1												