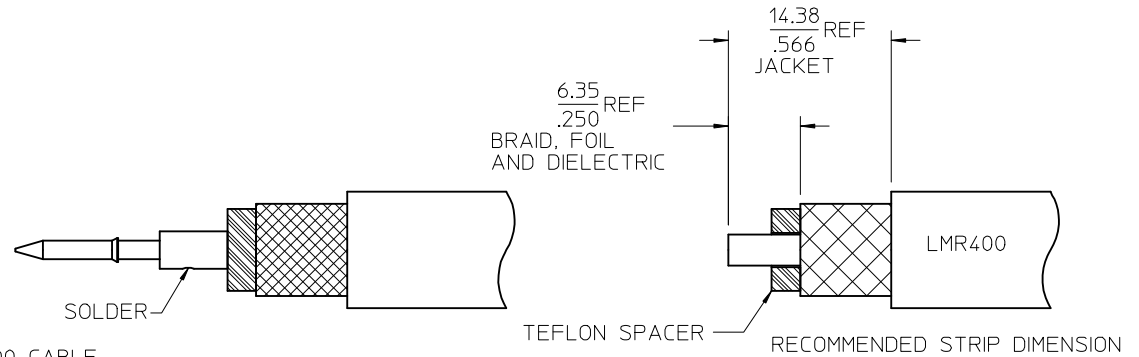
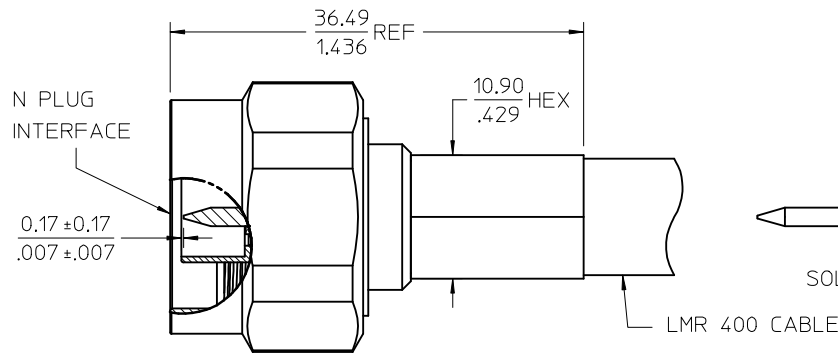
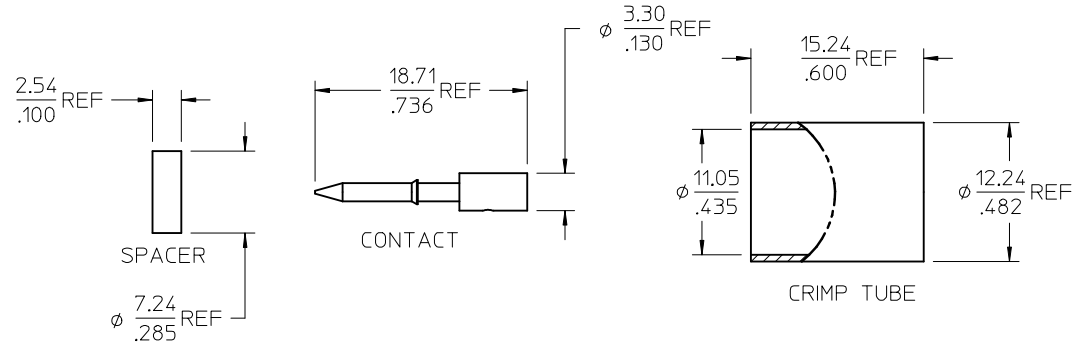
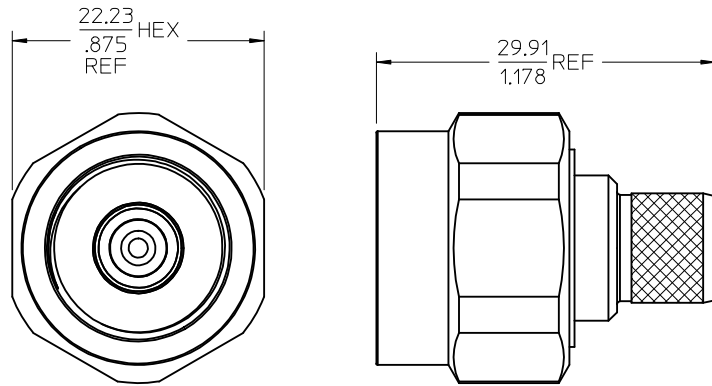
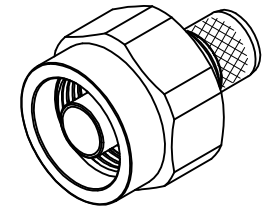


MATERIALS AND FINISHES

BODY, COUPLING NUT, CRIMP TUBE BRASS
PLATED SEE TABLE

CENTER CONTACT BRASS
PLATED GOLD

INSULATOR, SPACER TEFLON



MIL-STD-348A, FIG. 304-1	INTERFACE
SPECIFICATION	DESCRIPTION

73276-0112	NICKEL	ONE PER BAG
73276-0111	NICKEL	STANDARD
73276-0110	SILVER	STANDARD
PART NUMBER	PLATING	PACKAGING

CHG: UPDATE VIEW OF REAR BODY EC NO: URF2013-0712 DRWN: JWIENER CHKD: SSS APPR: JWIENER 2013/06/21 2013/06/21 2013/06/21	QUALITY SYMBOLS ▽=0 ▽=0	GENERAL TOLERANCES (UNLESS SPECIFIED) 4 PLACES ± --- ± --- 3 PLACES ± --- ± --- 2 PLACES ± --- ± --- 1 PLACE ± --- ± --- ANGULAR ± 2°	DIMENSION STYLE MM/IN DRAWN BY DATE EDC 1998/05/06 CHECKED BY DATE NBJ 1998/05/14 APPROVED BY DATE JWIENER 2010/05/03	SCALE DESIGN UNITS METRIC THIRD ANGLE PROJECTION	TITLE N PLUG, STR, CRIMP STYLE LMR-400 N-PC EWR-3211
		DRAFT WHERE APPLICABLE MUST REMAIN WITHIN DIMENSIONS	MATERIAL NO. SEE TABLE	DOCUMENT NO. SD-73276-011	SHEET NO. 1 OF 1