



**ANATECH ELECTRONICS INC**  
RF & Microwave Filters & Products

# 70 MHz LC Band Pass Filter

**Part Number: AE70B11273**



## Electrical Specifications

**Center Frequency:** 70 MHz

**-3dB Pass Band:** 64-76 MHz Min

Flatness 0.40 dB Max

**Phase Deviation:**  $\pm 4^\circ$  at 66-74 MHz

**Insertion Loss:** 2.0 dB Max at 70 MHz

**Return Loss:** 14 dB Min @ 69-71 MHz

**Stopbands:** >10 dB @ 60 MHz and 80 MHz

>20 dB @ 56 MHz and 86 MHz

>30 dB @ 52 MHz and 90 MHz

>40 dB @ 48 MHz and 98 MHz

>50 dB @ 44 MHz and 108 MHz

>60 dB @ 1-40 MHz and 120-250 MHz

## Mechanical

**Connector Type:** RF Pins

**Dimensions:** 1.00 x 0.50 x 0.40 Inches

## Environmental

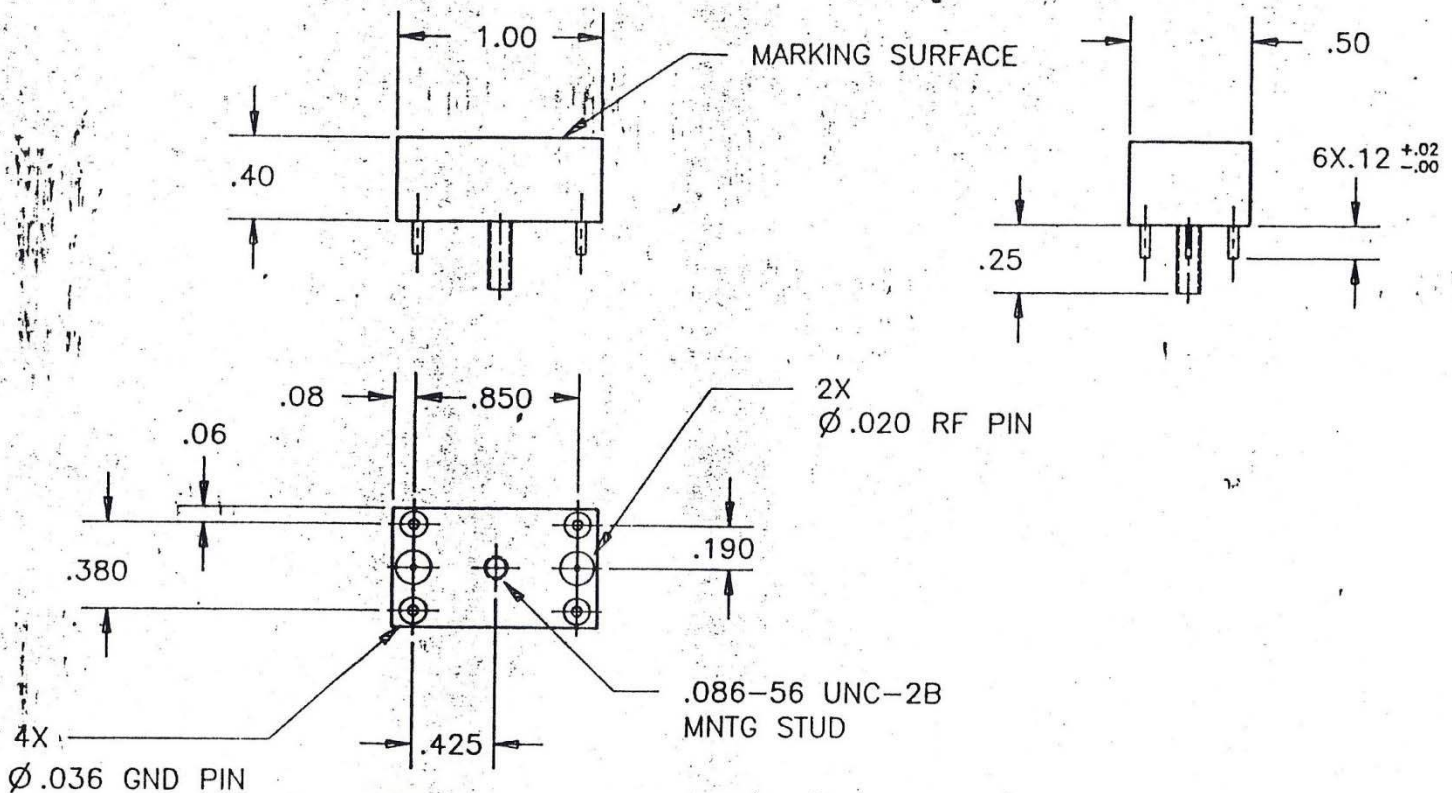
**Operating Temperature:** -30 to +85° C

**Storage Temperature:** -40 to +95° C

**Shock:** 20 G. 11 ms

**Vibration:** 20 G. 5 to 200 Hz

## Outline Drawing:



2 decimal places:  $\pm 0.01$  inches [ $\pm 0.3\text{mm}$ ]

3 decimal places:  $\pm 0.005$  inches [ $\pm 0.13\text{mm}$ ]

Angles:  $\pm 1$  Deg.

When max dimensions are called out the above tolerances do not apply as long as it is under the max call out.

**70 Outwater Lane Phone: (973) 772-4242**  
**Garfield, NJ 07026 Fax : (973) 321-3941**

Reference ECN:E101019-06A

**Email: [sales@anatechelectronics.com](mailto:sales@anatechelectronics.com)**  
**Web: [www.anatechelectronics.com](http://www.anatechelectronics.com)**

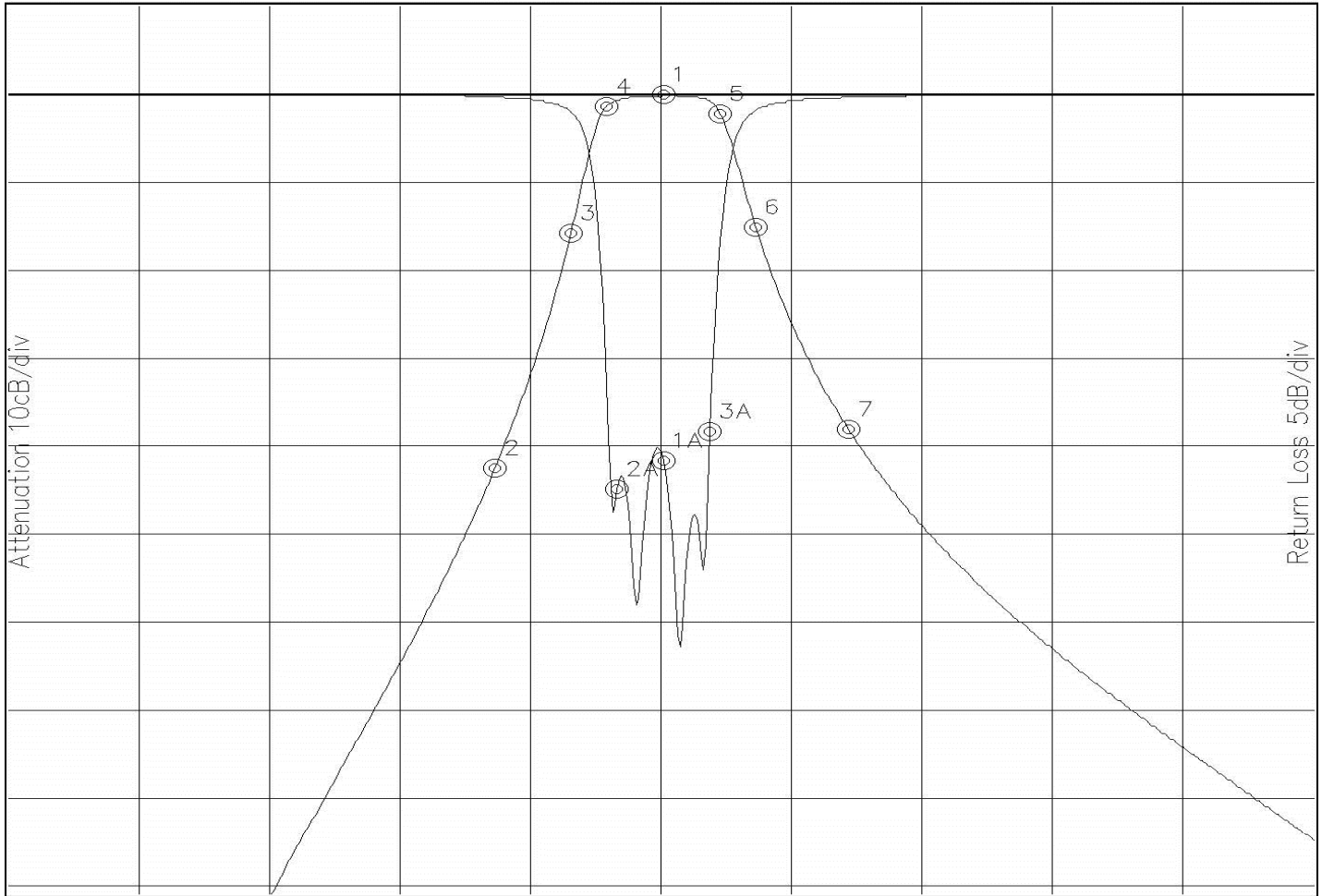


### Simulation Plot:

A506.lad

DEC 9, 2015

Attenuation/Return Loss



Attenuation Start: 0.014Hz Stop: 140.0MHz

Return Loss Start: 0.014Hz Stop: 140.0MHz

Offset -1.5217dB

- Marker 1 Freq 70.113MHz Atten -0.108dB
- Marker 2 Freq 52.019MHz Atten -42.338dB
- Marker 3 Freq 60.162MHz Atten -15.681dB
- Marker 4 Freq 64.006MHz Atten -1.294dB
- Marker 5 Freq 76.220MHz Atten -2.172dB
- Marker 6 Freq 80.065MHz Atten -15.056dB
- Marker 7 Freq 90.016MHz Atten -38.008dB

- Marker 1A Freq 70.113MHz Ret Loss -20.781dB
- Marker 2A Freq 65.137MHz Ret Loss -22.439dB
- Marker 3A Freq 75.089MHz Ret Loss -19.138dB

Note: This is a simulated response plot. Actual performance might differ.



**ANATECH ELECTRONICS INC**  
RF & Microwave Filters & Products

# 70 MHz LC Band Pass Filter

**Part Number: AE70B11273**

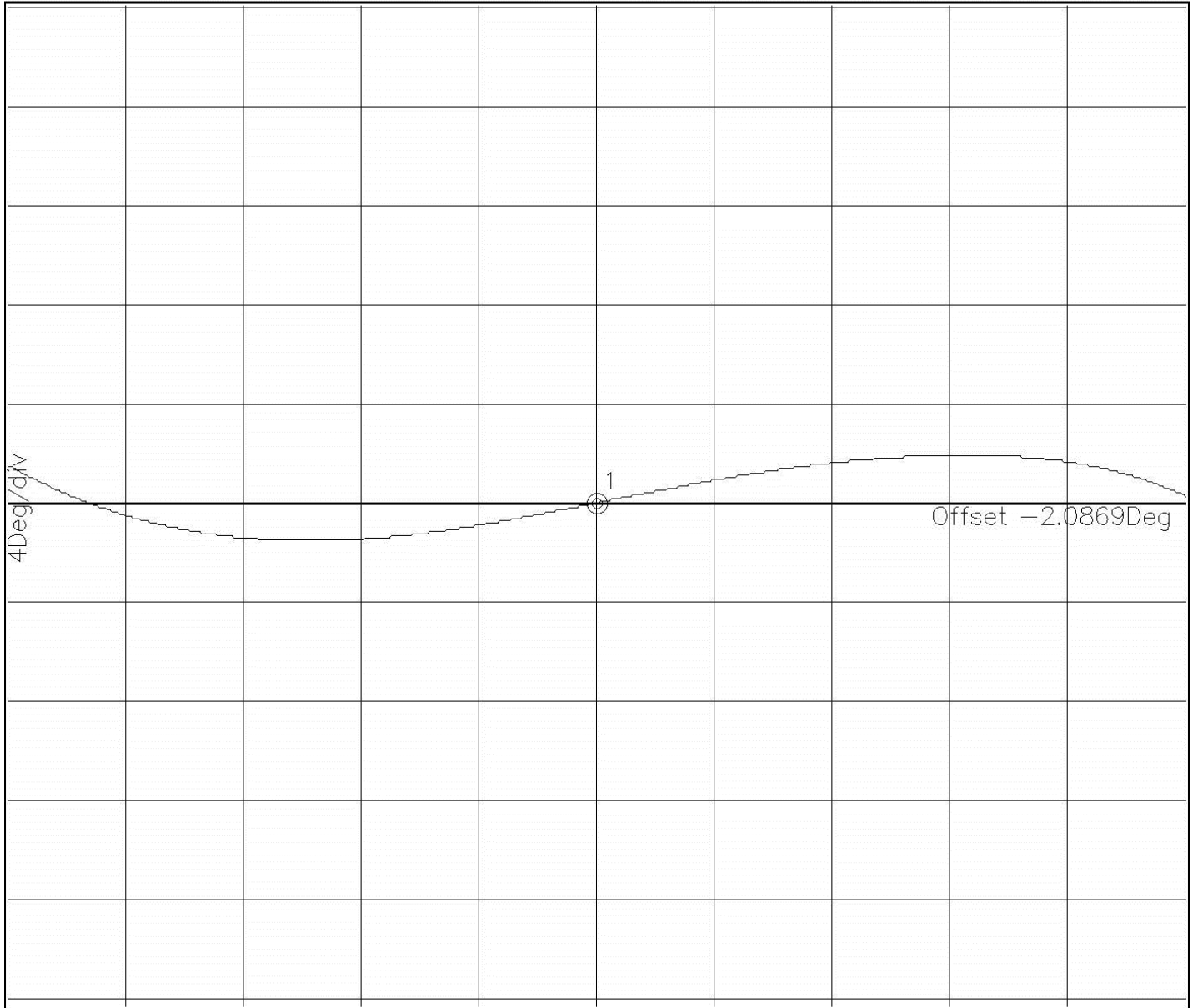


## Phase:

A506.lad

DEC 9, 2015

Phase



Phase Start: 66.0MHz Stop: 74.0MHz

Marker 1 Freq 69.994MHz Phase 0.019Deg