

NOTES:
 1. HOUSING: HIGH TEMPERATURE THERMOPLASTIC.
 COLOR: BLACK
 TERMINAL: COPPER ALLOY, SELECTIVE Au PLATING
 METAL SHELL: STAINLESS STEEL
 EACH SWITCHES: COPPER ALLOY, SELECTIVE Au PLATING.
 EACH NAILS: COPPER ALLOY, SELECTIVE AU PLATING.
 COIL SPRING: STEEL WIRE.
 CAM PIN: STAINLESS STEEL
 2. TERMINAL AND NAIL COPLANARITY TO BE 0.1MAX
 3. CONTACT POSITION OF CARD SIDE

TERMINAL NO.	CONTACT POSITION
NO.1	2.4
NO.2,5,6,7,8	2.9
NO.3,4	3.4
NO.9	5.2

4. OPEN/CLOSE OF EACH SWITCH

	PROTECT TERMINAL		DETECT TERMINAL
	WRITE PROTECT POSITION	WRITE ENABLE POSITION	
CARD UNINSERTION	OPEN	OPEN	OPEN
CARD HALF INSERTION	CLOSE	CLOSE	OPEN
CARD INSERTION	OPEN	CLOSE	CLOSE

5. WHEN DELIVERING, THE PUSH/PUSH MECHANISM IS IN THE STATE OF THE UNLOCK.(CARD DASHING OUT POSITION)
 6. CARD READ ONLY BY THE TIME THE CARD DETECTION.
 7. I/O CONTACTS, BASED ON SD I/O ASSOC. REV.G.
 8. PRODUCT SPECIFICATION REFER TO PS-67913-002.

PART NO.	DESCRIPTION	REMARK
67913-0011	TIN-LEAD	FOR SD ONLY
67913-8011	LEAD-FREE	
67913-0008	TIN-LEAD	SD/MMC
67913-8008	LEAD-FREE	

REVISED
 EC NO: SH2008-0499
 DRWNL:SONG09 2008/04/10
 CHKD:JTIAN 2008/04/22
 APPR:HWANG 2008/04/23

QUALITY SYMBOLS
 ▽=0
 ◻=0

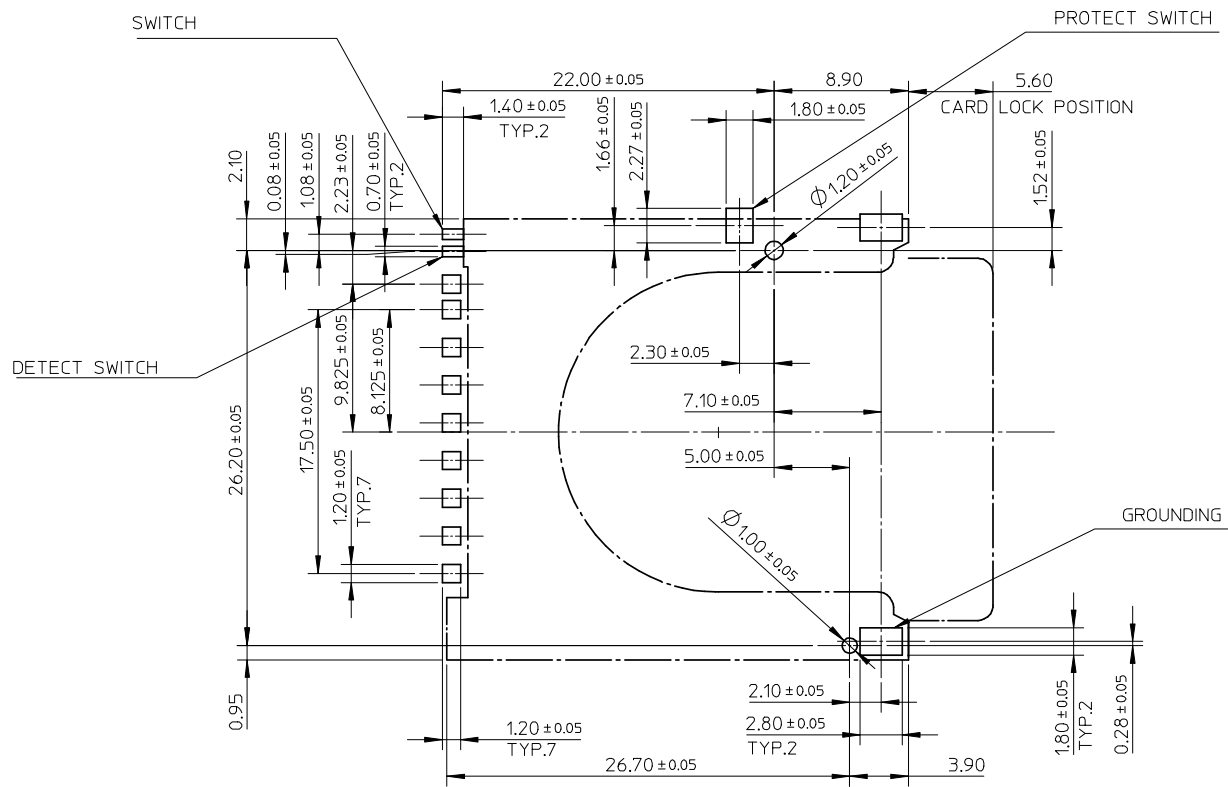
GENERAL TOLERANCES (UNLESS SPECIFIED)

	mm	INCH
4 PLACES	±---	±---
3 PLACES	±---	±---
2 PLACES	±0.25	±---
1 PLACE	±0.25	±---

 ANGULAR ± 3°
 DRAFT WHERE APPLICABLE MUST REMAIN WITHIN DIMENSIONS

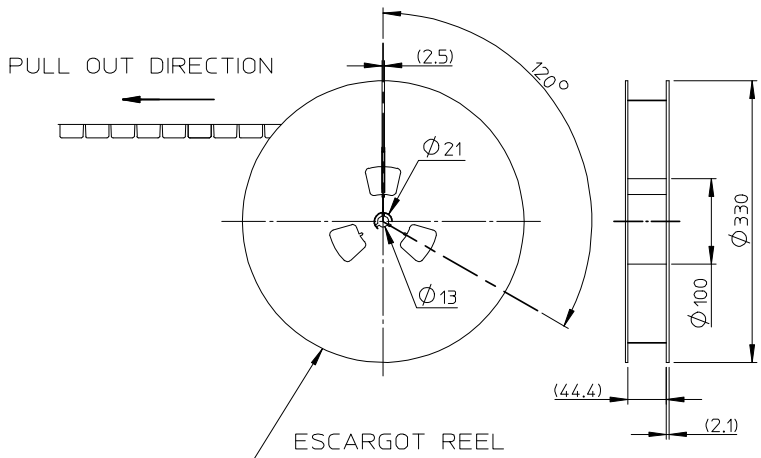
DIMENSION STYLE
 MM ONLY
 SCALE 3:1
 DESIGN UNITS METRIC
 THIRD ANGLE PROJECTION
 DRAWN BY MAX DATE 2003/02/13
 CHECKED BY WILSON DATE 2003/02/13
 APPROVED BY ERICK DATE 2003/02/13
 MATERIAL NO. SEE TABLE

SD/IO CARD CONN.
 REVERSE TYPE WITH
 PUSH PUSH
 MOLEX INCORPORATED
 DOCUMENT NO. SD-67913-011
 SHEET NO. 1 OF 3
 THIS DRAWING CONTAINS INFORMATION THAT IS PROPRIETARY TO MOLEX INCORPORATED AND SHOULD NOT BE USED WITHOUT WRITTEN PERMISSION



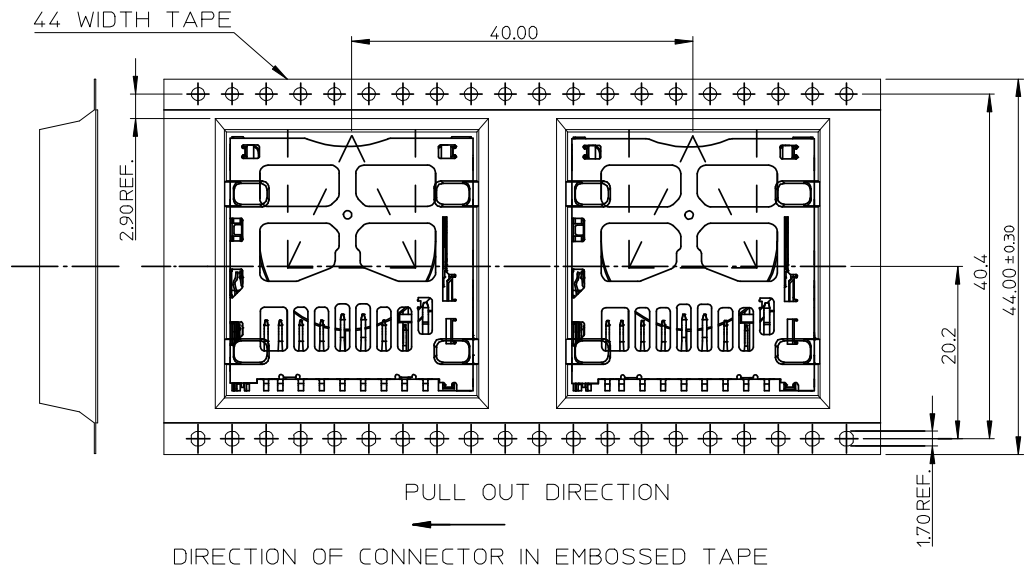
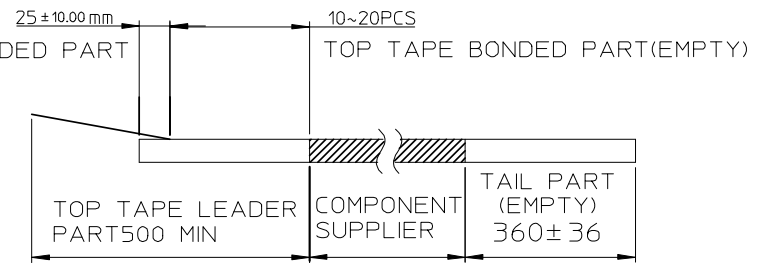
RECOMMENDED P.C.B LAYOUT DIMENSION

REVISED EC NO: SH2008-0499 DRWNL: SONG09 CHKD: J. IAN APPR: H. WANG 2008/04/10 2008/04/22 2008/04/23	DESCRIPTION T1	QUALITY SYMBOLS ▽=0 ◻=0	GENERAL TOLERANCES (UNLESS SPECIFIED)	DIMENSION STYLE MM ONLY	SCALE 3:1	DESIGN UNITS METRIC	THIRD ANGLE PROJECTION		
		4 PLACES ± --- ± --- 3 PLACES ± --- ± --- 2 PLACES ± 0.25 ± --- 1 PLACE ± 0.25 ± ---	mm INCH --- --- --- --- --- --- --- ---	DRAWN BY MAX	DATE 2003/02/13	TITLE SD/IO CARD CONN. REVERSE TYPE WITH PUSH PUSH			
		ANGULAR ± 3 °		CHECKED BY WILSON	DATE 2003/02/13	MOLEX INCORPORATED			
		DRAFT WHERE APPLICABLE MUST REMAIN WITHIN DIMENSIONS		APPROVED BY ERICK	DATE 2003/02/13	MATERIAL NO. SEE SHEET 1	DOCUMENT NO. SD-67913-011	SHEET NO. 2 OF 3	

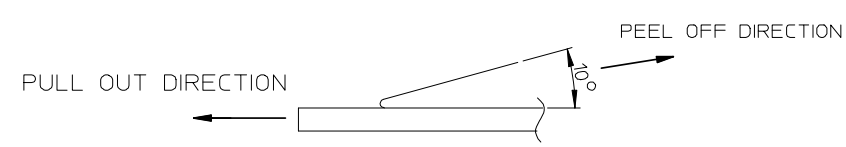


NOTES

1. NUMBER OF CONNECTORS: 300 PCS/REEL
- 2.



3. PEEL OFF FORCE OF TOP TAPE: 0.1~1.3 N (10.2~130gf)
PEELING DIRECTION AS SHOWN IN FOLLOWING FIG.)
(PEEL OFF SPEED: 300mm/min.REF.)



4. PACKAGING DRAWING REFERS TO PK-67913-001.

REVISED EC NO: SH2008-0499 DRWNLSONG09 CHKD:JTIAN APPR:HWANG	DESCRIPTION 2008/04/10 2008/04/22 2008/04/23	QUALITY SYMBOLS	GENERAL TOLERANCES (UNLESS SPECIFIED)		DIMENSION STYLE	SCALE	DESIGN UNITS	THIRD ANGLE PROJECTION	
		▽=0 ◻=0	mm	INCH	MM ONLY	1:1	METRIC		
			4 PLACES ± --- ± ---	DRAWN BY	DATE	TITLE	SD/IO CARD CONN. REVERSE TYPE WITH PUSH PUSH		
			3 PLACES ± --- ± ---	MAX	2003/02/13				
	2 PLACES ± 0.25 ± ---	CHECKED BY	DATE	MOLEX INCORPORATED SD-67913-011					
	1 PLACE ± 0.25 ± ---	WILSON	2003/02/13						
	ANGULAR ± 3 °	APPROVED BY	DATE	DOCUMENT NO. SD-67913-011					
		ERICK	2003/02/13						
		DRAFT WHERE APPLICABLE MUST REMAIN WITHIN DIMENSIONS		MATERIAL NO.	SHEET NO.				
				SEE SHEET 1	3 OF 3				
		THIS DRAWING CONTAINS INFORMATION THAT IS PROPRIETARY TO MOLEX INCORPORATED AND SHOULD NOT BE USED WITHOUT WRITTEN PERMISSION							