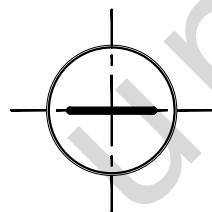
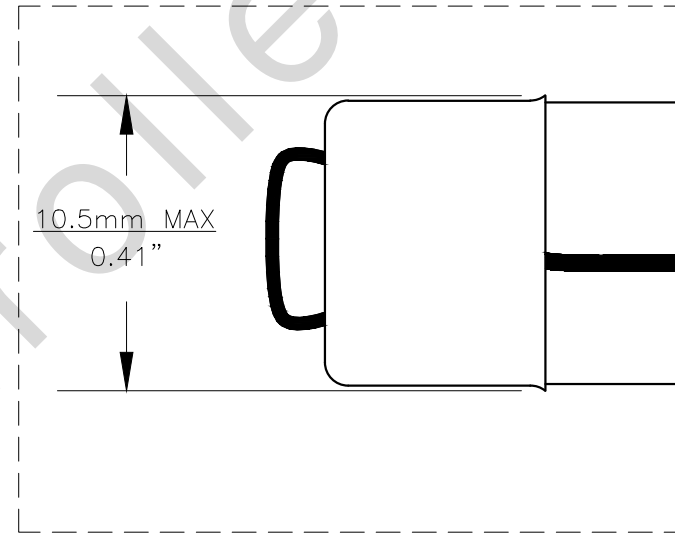
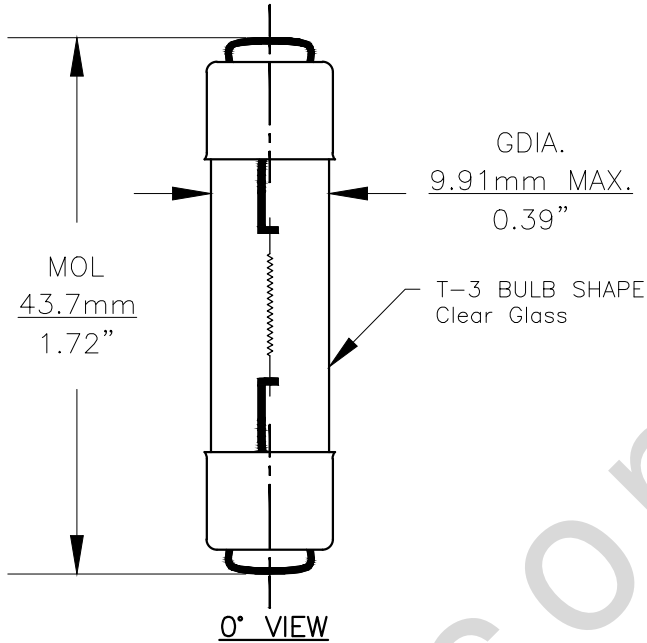




PART NO.	BASE TYPE	DESIGN VOLTS	DESIGN AMPS	MSCD	FILAMENT TYPE	AVERAGE LIFE HOURS	REVISIONS			
							REV #	DESCRIPTION	DATE	APPROVED
214-2	MINIATURE END CAPS	13.5V	0.52	4.0	C-8	1000	1	ISSUED	03/16/2009	M.L.



Note: Made according to SAE specifications

UNLESS OTHERWISE SPECIFIED: DIMENSIONS ARE IN INCHES TOLERANCES		CEC INDUSTRIES LTD			
DECIMALS	ANGULAR	599 BOND STREET		LINCOLNSHIRE, IL 60069	
.XX ± .05	± 0.5°	TITLE LIGHT BULB NO. 214-2			
.XXX ± .010		DRAWN MIN LIU	DATE 03/16/2009	SIZE A	REV 1
FRACTIONAL ± 1/64		CHECKED	DESIGN	FSCM NO. 214-2	DWG NO. 214-2
				SCALE	PLOT SCALE
				SHEET 1 OF 1	
		MATERIAL	FILE 214-2.pdf	DRAWING NOT TO SCALE	