

DRAWING MADE IN THIRD ANGLE PROJECTION

© COPYRIGHT 1981 BY AMP INCORPORATED, HARRISBURG, PA.  
 ALL INTERNATIONAL RIGHTS RESERVED. AMP INCORPORATED PRODUCTS  
 COVERED BY U. S. AND FOREIGN PATENTS AND/OR PATENTS PENDING.

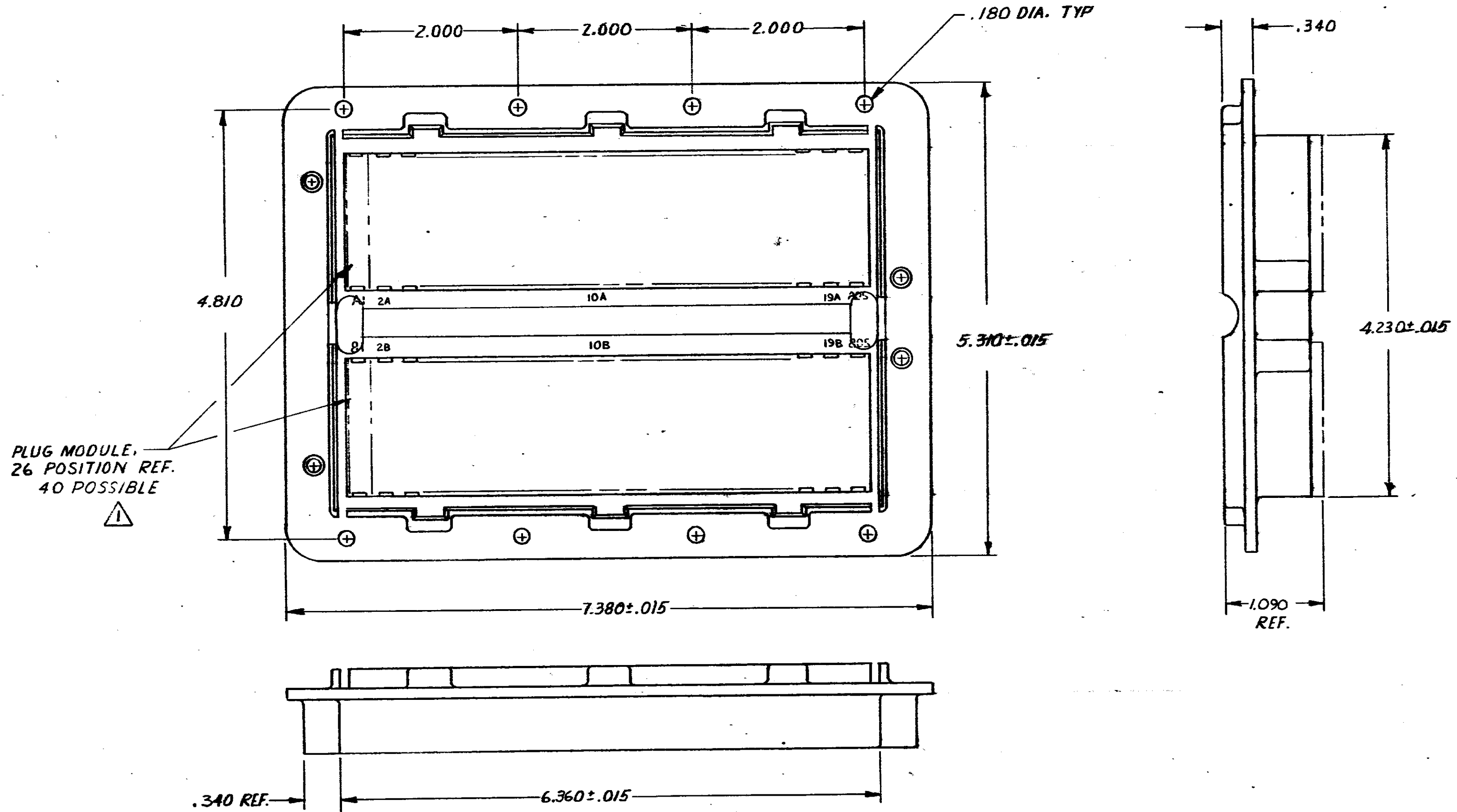
208788-3 1. AS SHOWN

LOC DF EO

REVISIONS

P	F	ZONE	LTR	DESCRIPTION	DATE	APPROVED
✓	✓			O RELEASED	10-15-81	JE JW
✓	✓		A	REVISED PER ECN J-825	11/15/81	JE JW
✓	✓		B	REVISED PER ECN J 995	1-13-82	DES AH III
✓	✓		C	REVISED PER ECN K044	2-22-82	DES AH III
✓	✓		D	REV ECN K-447	7/28/83	DES AH III
✓	✓		E	REV PER ECN DF-1469	T.U. 4-18-89	10/21

THIS DRAWING IS UNPUBLISHED



- ⚠ CONTACT MODULES NOT INCLUDED.
- 2. MODULE LOCATIONS IDENTIFIED BY INK STAMPING AT AREAS AS SHOWN (BOTH MATING AND WIRING SIDE FACES)

UNLESS OTHERWISE SPECIFIED DIMENSIONS ARE IN INCHES. TOLERANCES ON: DECIMALS ± .010 ANGLES ±		CONTRACT NO		AMP INCORPORATED Harrisburg, Pa.	
MATERIAL ALUMINUM ALLOY		DR E. J. Emanuel 10-15-81		NAME PLUG CONNECTOR 1040 POSITION ZERO ENTRY	
FINISH ZINC PLATED PER QQ-Z-325		CHK d.r. widener 10 21 81		SIZE CODE IDENT NO DRAWING NO C 00779 208788	
		APPD 10/22/81		SCALE	
		DSGN APPD		SHEET	
		OTHER APPD			

CUSTOMER DRAWING