

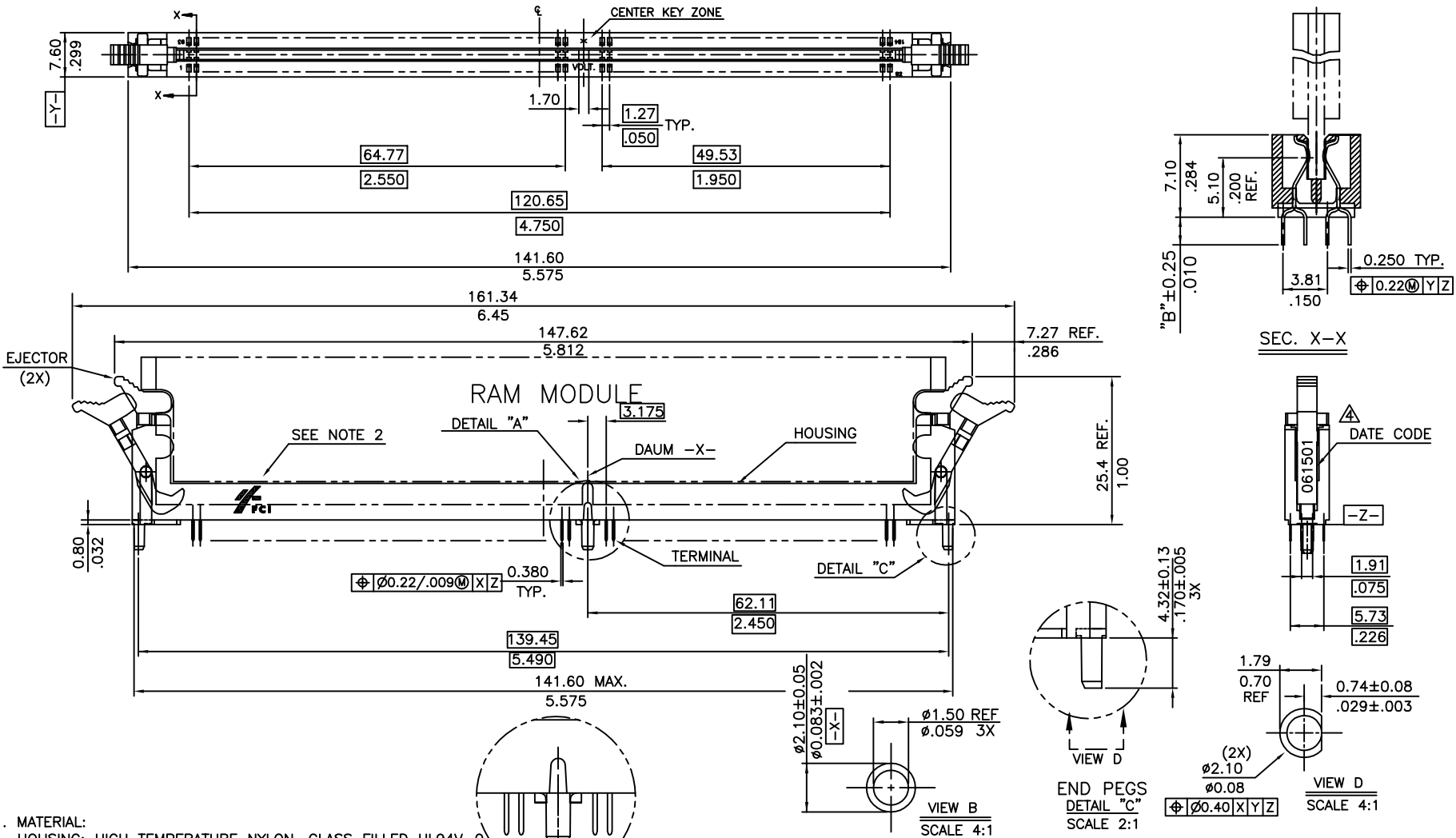
All rights strictly reserved. Reproduction or issue to third parties in any form whatever is not permitted without written authority from the proprietor. Property of FCI. Copyright FCI.

Tous droits strictement réservés. Reproduction ou communication a des tiers interdite sous quelque forme que ce soit sans autorisation écrite du propriétaire. Propriété de c FCI. Droits de reproduction FCI.

1 | 2

3 |

4



- NOTE:
- MATERIAL:  
HOUSING: HIGH TEMPERATURE NYLON, GLASS FILLED UL94V-0 RATED, COLOR BLACK.  
EJECTOR: HIGH TEMPERATURE NYLON, GLASS FILLED UL94V-0 RATED, COLOR NATURAL.  
TERMINAL: COPPER ALLOY.
  - FCI LOGO TO BE APPROXIMATELY LOCATED AS SHOWN ON PRINT.
  - PRODUCT SPECIFICATION: GS-12-146
  - THE DATE CODE IS SHOWN "MM-DD-YY" FOR CUSTOMER SPECIAL REQUEST.
  - THIS PRODUCT MEETS EUROPEAN UNION DIRECTIVES AND OTHER COUNTRY REGULATIONS AS DESCRIBED IN GS-22-008.
  - THE HOUSING WILL WITH STAND EXPOSURE TO 260° PEAK TEMPERATURE FOR 10 SECONDS IN A WAVE SOLDER APPLICATION.

mat'l. code		tolerances unless otherwise specified		CUSTOMER COPY	
ltr	ecn no	dr	date	linear	projection
A	T10170	M W	06/20/01	.X ± 0.38/.015	MM
B	T20047	M W	02/05/02	.XX ± 0.25/.010	1:1
C	T20325	M W	11/14/02	.XXX ± 0.15/.005	A4
D	T03-0117	M W	04/14/03	angles	
E	T03-0435	M W	10/01/03	0° ± 2°	
F	dg05-0489	K W	11/21/05	dr	
				engr	
				chr	
				appd	
sheet	revision	F	C		
index	sheet	1	2	3	

CUSTOMER COPY		title	
MM	1:1	DDR 184P .050" 1-ROW,	V/T ASS'Y PLASTIC POST
product family	DDR	code	TWN
size	dwg no	sheet	1 of 3
		55660	

1 | 2

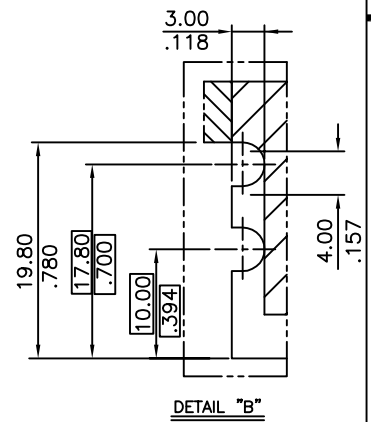
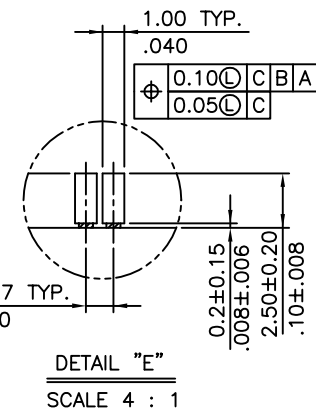
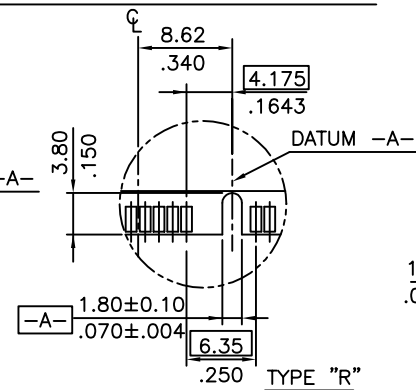
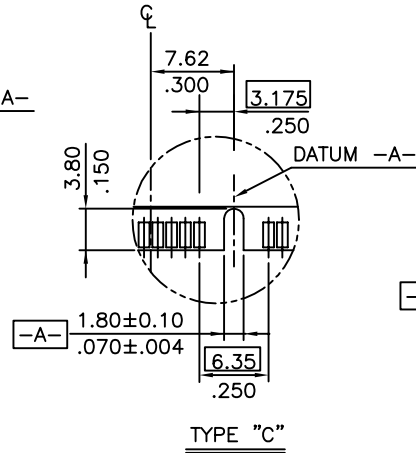
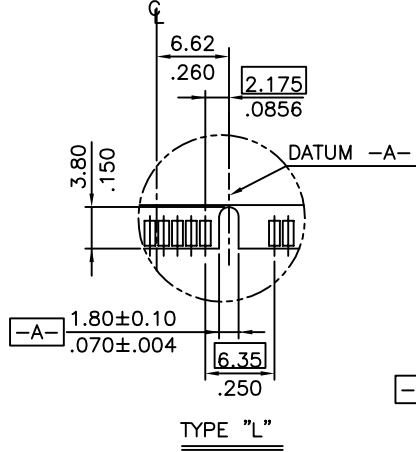
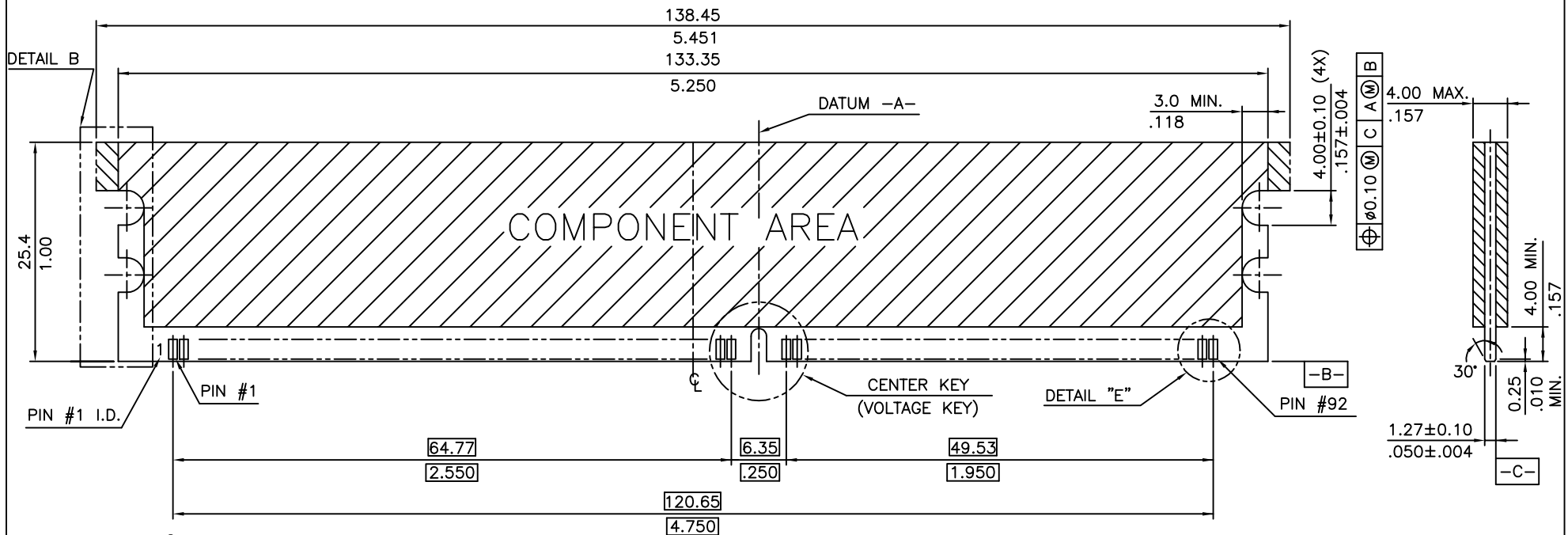
ACAD

PDM: Rev: F

STATUS Released 526 Printed: Jul 28, 2010

Tous droits strictement reserves. Reproduction ou communication a des tiers interdite sous quelque forme que ce soit sans autorisation ecrite du propriétaire. Propriete de c FCI. Droits de reproduction FCI.

All rights strictly reserved. Reproduction or issue to third parties in any form whatever is not permitted without written authority from the proprietor. Property of FCI. Copyright FCI.

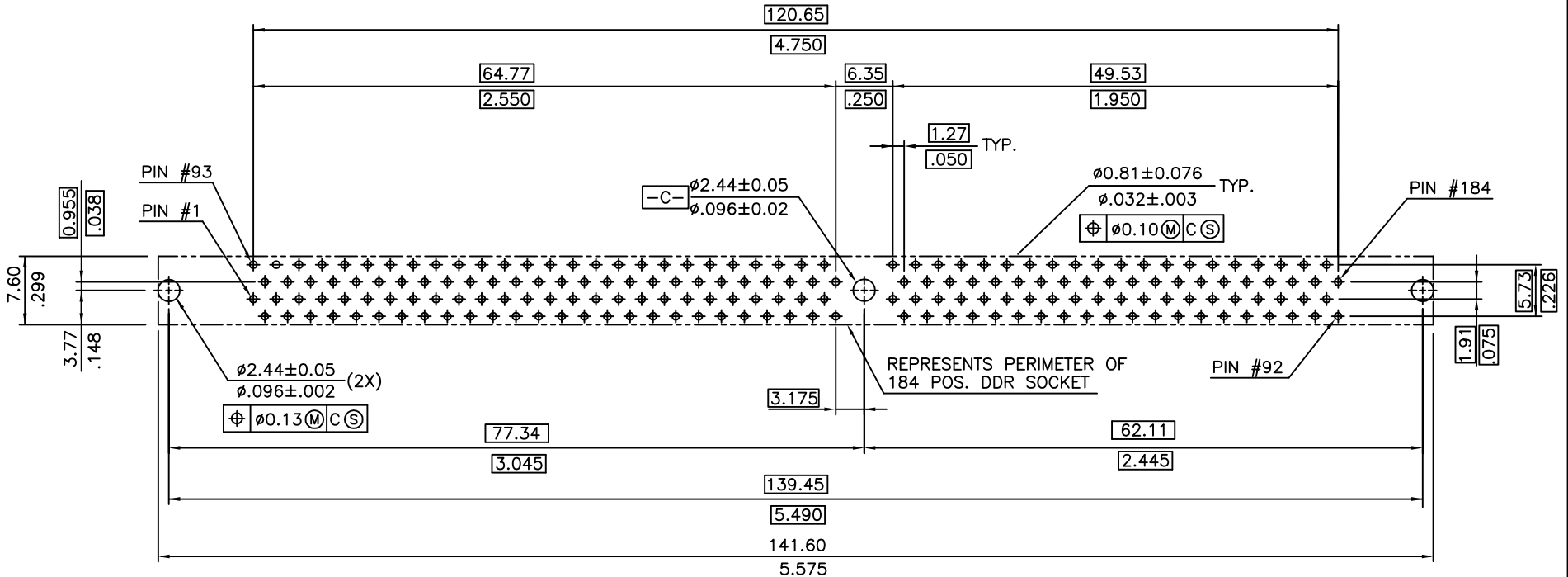


TYPE "R"	3.3 VOLT.
TYPE "L"	2.5 VOLT.
TYPE "C"	1.8 VOLT.
CENTER KEY	DESCRIPTION

mat'l. code		tolerances unless otherwise specified		CUSTOMER COPY		FCI www.fciconnect.com	
ltr	ecn no	dr	date	linear	.X ± 0.38/.015 .XX ± 0.25/.010 .XXX ± 0.15/.005	projection	title
C				angles	0° ± 2'	MM	DDR 184P .050" 1-ROW, V/T ASS'Y PLASTIC POST
		dr	MAGGIE WU 10/03/00			product family	DDR
		enr	BEN TSAO 10/03/00			size	dwg no
		chr	BEN TSAO 10/03/00			scale	55660
		appd	JENN TSAO 10/03/00			1.5:1	code
sheet index	revision sheet						TWN
							sheet
							2 of

Tous droits strictement réservés. Reproduction ou communication a des tiers interdite sous quelque forme que ce soit sans autorisation écrite du propriétaire. Propriété de c FCI. Droits de reproduction FCI.

All rights strictly reserved. Reproduction or issue to third parties in any form whatever is not permitted without written authority from the proprietor. Property of FCI. Copyright FCI.



DDR ASSEMBLY PART NUMBER

5 5 6 6 0 - □ □ □ □

RECOMMENDED CIRCUIT BOARD HOLE LAYOUT

STYLE  
 1 : FOR 3.3 VOLT.  
 2 : FOR 2.5 VOLT.  
 3 : FOR 1.8 VOLT.  
 RESERVED  
 0

PLATING

CODE	CONTACT	SOLDERTAIL	UNDERPLATE	CODE	CONTACT	SOLDERTAIL	UNDERPLATE
2	15μ" (0.38μm) MIN. GOLD	100μ" (2.54μm) MIN. TIN/LEAD	50μ" (1.27μm) MIN. NICKEL OVERALL	7LF	15μ" (0.38μm) MIN. GOLD	100μ" (2.54μm) MIN. 100% TIN	50μ" (1.27μm) MIN. NICKEL OVERALL
3	30μ" (0.76μm) MIN. GOLD			8LF	30μ" (0.76μm) MIN. GOLD		
4	GOLD FLASH			9LF	GOLD FLASH		

TAIL LENGTH

CODE	DIM. "B"	TOLERANCE
1	2.29 .090	±0.25 ±.01
2	2.79 .110	±0.25 ±.01
3	2.67 .105	±0.25 ±.01
4	3.05 .120	±0.25 ±.01

COLOR OF HOUSING AND EJECTOR

0 : BLACK HOUSING + IVORY EJECTOR

mat'l. code				tolerances unless otherwise specified		CUSTOMER COPY		 www.fciconnect.com		
ltr	ecn no	dr	date	linear	.X ± 0.38/.015	projection		title		
D					.XX ± 0.25/.010			DDR 184P .050" 1-ROW, V/T ASS'Y PLASTIC POST		
				angles	.XXX ± 0.15/.005		MM	product family		
				dr	0° ±2'			DDR		code
				enr	MAGGIE WU 10/03/00	scale	1.5:1	size		
				chr	BEN TSAO 10/03/00			A4		sheet
				appd	BEN TSAO 10/03/00			55660		3 of
					JENN TSAO 10/03/00					
sheet index	revision sheet							cage code		